

**ASME B31.3-2012**  
(Revision of ASME B31.3-2010)

# Process Piping

---

**ASME Code for Pressure Piping, B31**

**AN AMERICAN NATIONAL STANDARD**



**The American Society of  
Mechanical Engineers**

INTENTIONALLY LEFT BLANK

**ASME B31.3-2012**  
**(Revision of ASME B31.3-2010)**

# Process Piping

---

**ASME Code for Pressure Piping, B31**

**AN AMERICAN NATIONAL STANDARD**



**The American Society of  
Mechanical Engineers**

Three Park Avenue • New York, NY • 10016 USA

Date of Issuance: January 10, 2013

The next edition of this Code is scheduled for publication in 2014. This Code will become effective 6 months after the Date of Issuance.

ASME issues written replies to inquiries concerning interpretations of technical aspects of this Code. Interpretations, Code Cases, and errata are published on the ASME Web site under the Committee Pages at <http://cstools.asme.org/> as they are issued. Interpretations and Code Cases are also included with each edition.

Errata to codes and standards may be posted on the ASME Web site under the Committee Pages to provide corrections to incorrectly published items, or to correct typographical or grammatical errors in codes and standards. Such errata shall be used on the date posted.

The Committee Pages can be found at <http://cstools.asme.org/>. There is an option available to automatically receive an e-mail notification when errata are posted to a particular code or standard. This option can be found on the appropriate Committee Page after selecting “Errata” in the “Publication Information” section.

ASME is the registered trademark of The American Society of Mechanical Engineers.

This code or standard was developed under procedures accredited as meeting the criteria for American National Standards. The Standards Committee that approved the code or standard was balanced to assure that individuals from competent and concerned interests have had an opportunity to participate. The proposed code or standard was made available for public review and comment that provides an opportunity for additional public input from industry, academia, regulatory agencies, and the public-at-large.

ASME does not “approve,” “rate,” or “endorse” any item, construction, proprietary device, or activity.

ASME does not take any position with respect to the validity of any patent rights asserted in connection with any items mentioned in this document, and does not undertake to insure anyone utilizing a standard against liability for infringement of any applicable letters patent, nor assume any such liability. Users of a code or standard are expressly advised that determination of the validity of any such patent rights, and the risk of infringement of such rights, is entirely their own responsibility.

Participation by federal agency representative(s) or person(s) affiliated with industry is not to be interpreted as government or industry endorsement of this code or standard.

ASME accepts responsibility for only those interpretations of this document issued in accordance with the established ASME procedures and policies, which precludes the issuance of interpretations by individuals.

No part of this document may be reproduced in any form,  
in an electronic retrieval system or otherwise,  
without the prior written permission of the publisher.

The American Society of Mechanical Engineers  
Three Park Avenue, New York, NY 10016-5990

Copyright © 2013 by  
THE AMERICAN SOCIETY OF MECHANICAL ENGINEERS  
All rights reserved  
Printed in U.S.A.

# CONTENTS

Foreword .....	xiii	
Committee Personnel .....	xiv	
Introduction .....	xviii	
Summary of Changes .....	xx	
<b>Chapter I</b>	<b>Scope and Definitions</b> .....	1
300	General Statements .....	1
<b>Chapter II</b>	<b>Design</b> .....	10
<b>Part 1</b>	<b>Conditions and Criteria</b> .....	10
301	Design Conditions .....	10
302	Design Criteria .....	12
<b>Part 2</b>	<b>Pressure Design of Piping Components</b> .....	18
303	General .....	18
304	Pressure Design of Components .....	20
<b>Part 3</b>	<b>Fluid Service Requirements for Piping Components</b> .....	30
305	Pipe .....	30
306	Fittings, Bends, Miters, Laps, and Branch Connections .....	30
307	Valves and Specialty Components .....	32
308	Flanges, Blanks, Flange Facings, and Gaskets .....	32
309	Bolting .....	33
<b>Part 4</b>	<b>Fluid Service Requirements for Piping Joints</b> .....	33
310	General .....	33
311	Welded Joints .....	33
312	Flanged Joints .....	34
313	Expanded Joints .....	34
314	Threaded Joints .....	34
315	Tubing Joints .....	35
316	Caulked Joints .....	35
317	Soldered and Brazed Joints .....	35
318	Special Joints .....	35
<b>Part 5</b>	<b>Flexibility and Support</b> .....	36
319	Piping Flexibility .....	36
320	Analysis of Sustained Loads .....	41
321	Piping Support .....	42
<b>Part 6</b>	<b>Systems</b> .....	44
322	Specific Piping Systems .....	44
<b>Chapter III</b>	<b>Materials</b> .....	46
323	General Requirements .....	46
325	Materials — Miscellaneous .....	55
<b>Chapter IV</b>	<b>Standards for Piping Components</b> .....	56
326	Dimensions and Ratings of Components .....	56
<b>Chapter V</b>	<b>Fabrication, Assembly, and Erection</b> .....	59
327	General .....	59
328	Welding and Brazing .....	59
330	Preheating .....	65
331	Heat Treatment .....	67
332	Bending and Forming .....	70

333	Brazing and Soldering .....	71
335	Assembly and Erection .....	71
<b>Chapter VI</b>	<b>Inspection, Examination, and Testing</b> .....	<b>73</b>
340	Inspection .....	73
341	Examination .....	73
342	Examination Personnel .....	80
343	Examination Procedures .....	80
344	Types of Examination .....	80
345	Testing .....	82
346	Records .....	85
<b>Chapter VII</b>	<b>Nonmetallic Piping and Piping Lined With Nonmetals</b> .....	<b>86</b>
A300	General Statements .....	86
<b>Part 1</b>	<b>Conditions and Criteria</b> .....	<b>86</b>
A301	Design Conditions .....	86
A302	Design Criteria .....	86
<b>Part 2</b>	<b>Pressure Design of Piping Components</b> .....	<b>88</b>
A303	General .....	88
A304	Pressure Design of Piping Components .....	88
<b>Part 3</b>	<b>Fluid Service Requirements for Piping Components</b> .....	<b>89</b>
A305	Pipe .....	89
A306	Fittings, Bends, Miters, Laps, and Branch Connections .....	89
A307	Valves and Specialty Components .....	90
A308	Flanges, Blanks, Flange Facings, and Gaskets .....	90
A309	Bolting .....	90
<b>Part 4</b>	<b>Fluid Service Requirements for Piping Joints</b> .....	<b>90</b>
A310	General .....	90
A311	Bonded Joints in Plastics .....	90
A312	Flanged Joints .....	91
A313	Expanded Joints .....	91
A314	Threaded Joints .....	91
A315	Tubing Joints .....	91
A316	Caulked Joints .....	91
A318	Special Joints .....	91
<b>Part 5</b>	<b>Flexibility and Support</b> .....	<b>92</b>
A319	Flexibility of Nonmetallic Piping .....	92
A321	Piping Support .....	93
<b>Part 6</b>	<b>Systems</b> .....	<b>93</b>
A322	Specific Piping Systems .....	93
<b>Part 7</b>	<b>Materials</b> .....	<b>94</b>
A323	General Requirements .....	94
A325	Materials — Miscellaneous .....	96
<b>Part 8</b>	<b>Standards for Piping Components</b> .....	<b>96</b>
A326	Dimensions and Ratings of Components .....	96
<b>Part 9</b>	<b>Fabrication, Assembly, and Erection</b> .....	<b>99</b>
A327	General .....	99
A328	Bonding of Plastics .....	99
A329	Fabrication of Piping Lined With Nonmetals .....	101
A332	Bending and Forming .....	103
A334	Joining Nonplastic Piping .....	103
A335	Assembly and Erection .....	103
<b>Part 10</b>	<b>Inspection, Examination, and Testing</b> .....	<b>104</b>
A340	Inspection .....	104
A341	Examination .....	104
A342	Examination Personnel .....	104

A343	Examination Procedures .....	104
A344	Types of Examination .....	105
A345	Testing .....	105
A346	Records .....	106
<b>Chapter VIII</b>	<b>Piping for Category M Fluid Service .....</b>	<b>107</b>
M300	General Statements .....	107
<b>Part 1</b>	<b>Conditions and Criteria .....</b>	<b>107</b>
M301	Design Conditions .....	107
M302	Design Criteria .....	107
<b>Part 2</b>	<b>Pressure Design of Metallic Piping Components .....</b>	<b>108</b>
M303	General .....	108
M304	Pressure Design of Metallic Components .....	108
<b>Part 3</b>	<b>Fluid Service Requirements for Metallic Piping Components .....</b>	<b>108</b>
M305	Pipe .....	108
M306	Metallic Fittings, Bends, Miters, Laps, and Branch Connections .....	108
M307	Metallic Valves and Specialty Components .....	108
M308	Flanges, Blanks, Flange Facings, and Gaskets .....	109
M309	Bolting .....	109
<b>Part 4</b>	<b>Fluid Service Requirements for Metallic Piping Joints .....</b>	<b>109</b>
M310	Metallic Piping, General .....	109
M311	Welded Joints in Metallic Piping .....	109
M312	Flanged Joints in Metallic Piping .....	109
M313	Expanded Joints in Metallic Piping .....	109
M314	Threaded Joints in Metallic Piping .....	109
M315	Tubing Joints in Metallic Piping .....	109
M316	Caulked Joints .....	109
M317	Soldered and Brazed Joints .....	109
M318	Special Joints in Metallic Piping .....	109
<b>Part 5</b>	<b>Flexibility and Support of Metallic Piping .....</b>	<b>110</b>
M319	Flexibility of Metallic Piping .....	110
M321	Piping Support .....	110
<b>Part 6</b>	<b>Systems .....</b>	<b>110</b>
M322	Specific Piping Systems .....	110
<b>Part 7</b>	<b>Metallic Materials .....</b>	<b>110</b>
M323	General Requirements .....	110
M325	Materials — Miscellaneous .....	110
<b>Part 8</b>	<b>Standards for Piping Components .....</b>	<b>110</b>
M326	Dimensions and Ratings of Components .....	110
<b>Part 9</b>	<b>Fabrication, Assembly, and Erection of Metallic Piping .....</b>	<b>111</b>
M327	General .....	111
M328	Welding of Metals .....	111
M330	Preheating of Metals .....	111
M331	Heat Treatment of Metals .....	111
M332	Bending and Forming of Metals .....	111
M335	Assembly and Erection of Metallic Piping .....	111
<b>Part 10</b>	<b>Inspection, Examination, Testing, and Records of Metallic Piping .....</b>	<b>111</b>
M340	Inspection .....	111
M341	Examination .....	111
M342	Examination Personnel .....	112
M343	Examination Procedures .....	112
M344	Types of Examination .....	112
M345	Testing .....	112
M346	Records .....	112

<b>Parts 11 Through 20, Corresponding to Chapter VII</b> .....	112
MA300      General Statements .....	112
<b>Part 11      Conditions and Criteria</b> .....	112
MA301      Design Conditions .....	112
MA302      Design Criteria .....	112
<b>Part 12      Pressure Design of Nonmetallic Piping Components</b> .....	112
MA303      General .....	112
MA304      Pressure Design of Nonmetallic Components .....	112
<b>Part 13      Fluid Service Requirements for Nonmetallic Piping Components</b> .....	112
MA305      Pipe .....	112
MA306      Nonmetallic Fittings, Bends, Miters, Laps, and Branch Connections .....	112
MA307      Valves and Specialty Components .....	112
MA308      Flanges, Blanks, Flange Facings, and Gaskets .....	113
MA309      Bolting .....	113
<b>Part 14      Fluid Service Requirements for Nonmetallic Piping Joints</b> .....	113
MA310      General .....	113
MA311      Bonded Joints .....	113
MA312      Flanged Joints .....	113
MA313      Expanded Joints .....	113
MA314      Threaded Joints .....	113
MA315      Tubing Joints in Nonmetallic Piping .....	113
MA316      Caulked Joints .....	113
MA318      Special Joints .....	113
<b>Part 15      Flexibility and Support of Nonmetallic Piping</b> .....	113
MA319      Piping Flexibility .....	113
MA321      Piping Support .....	113
<b>Part 16      Nonmetallic and Nonmetallic Lined Systems</b> .....	113
MA322      Specific Piping Systems .....	113
<b>Part 17      Nonmetallic Materials</b> .....	113
MA323      General Requirements .....	113
<b>Part 18      Standards for Nonmetallic and Nonmetallic Lined Piping Components</b> .....	113
MA326      Dimensions and Ratings of Components .....	113
<b>Part 19      Fabrication, Assembly, and Erection of Nonmetallic and Nonmetallic Lined Piping</b> .....	113
MA327      General .....	113
MA328      Bonding of Plastics .....	114
MA329      Fabrication of Piping Lined With Nonmetals .....	114
MA332      Bending and Forming .....	114
MA334      Joining Nonplastic Piping .....	114
MA335      Assembly and Erection .....	114
<b>Part 20      Inspection, Examination, Testing, and Records of Nonmetallic and Nonmetallic Lined Piping</b> .....	114
MA340      Inspection .....	114
MA341      Examination .....	114
MA342      Examination Personnel .....	114
MA343      Examination Procedures .....	114
MA344      Types of Examination .....	114
MA345      Testing .....	114
MA346      Records .....	114
<b>Chapter IX   High Pressure Piping</b> .....	115
K300      General Statements .....	115
<b>Part 1      Conditions and Criteria</b> .....	115
K301      Design Conditions .....	115
K302      Design Criteria .....	116



<b>Part 2</b>	<b>Pressure Design of Piping Components</b> .....	118
K303	General .....	118
K304	Pressure Design of High Pressure Components .....	118
<b>Part 3</b>	<b>Fluid Service Requirements for Piping Components</b> .....	122
K305	Pipe .....	122
K306	Fittings, Bends, and Branch Connections .....	122
K307	Valves and Specialty Components .....	122
K308	Flanges, Blanks, Flange Facings, and Gaskets .....	122
K309	Bolting .....	123
<b>Part 4</b>	<b>Fluid Service Requirements for Piping Joints</b> .....	123
K310	General .....	123
K311	Welded Joints .....	123
K312	Flanged Joints .....	123
K313	Expanded Joints .....	123
K314	Threaded Joints .....	123
K315	Tubing Joints .....	124
K316	Caulked Joints .....	124
K317	Soldered and Brazed Joints .....	124
K318	Special Joints .....	124
<b>Part 5</b>	<b>Flexibility and Support</b> .....	124
K319	Flexibility .....	124
K321	Piping Support .....	124
<b>Part 6</b>	<b>Systems</b> .....	125
K322	Specific Piping Systems .....	125
<b>Part 7</b>	<b>Materials</b> .....	125
K323	General Requirements .....	125
K325	Miscellaneous Materials .....	130
<b>Part 8</b>	<b>Standards for Piping Components</b> .....	130
K326	Requirements for Components .....	130
<b>Part 9</b>	<b>Fabrication, Assembly, and Erection</b> .....	130
K327	General .....	130
K328	Welding .....	130
K330	Preheating .....	133
K331	Heat Treatment .....	134
K332	Bending and Forming .....	134
K333	Brazing and Soldering .....	135
K335	Assembly and Erection .....	135
<b>Part 10</b>	<b>Inspection, Examination, and Testing</b> .....	135
K340	Inspection .....	135
K341	Examination .....	135
K342	Examination Personnel .....	137
K343	Examination Procedures .....	137
K344	Types of Examination .....	137
K345	Leak Testing .....	138
K346	Records .....	139
<b>Chapter X</b>	<b>High Purity Piping</b> .....	140
U300	General Statements .....	140
<b>Part 1</b>	<b>Conditions and Criteria</b> .....	140
<b>Part 2</b>	<b>Pressure Design of Piping Components</b> .....	140
<b>Part 3</b>	<b>Fluid Service Requirements for Piping Components</b> .....	140
U308	Flanges, Blanks, Flange Facings, and Gaskets .....	140
<b>Part 4</b>	<b>Fluid Service Requirements for Piping Joints</b> .....	140
U311	Welded Joints .....	140
U314	Threaded Joints .....	141
U315	Tubing Joints .....	141

<b>Part 5</b>	<b>Flexibility and Support</b> .....	141
<b>Part 6</b>	<b>Systems</b> .....	141
<b>Part 7</b>	<b>Metallic Materials</b> .....	141
<b>Part 8</b>	<b>Standards for Piping Components</b> .....	141
<b>Part 9</b>	<b>Fabrication, Assembly, and Erection</b> .....	141
U327	General .....	141
U328	Welding .....	142
U330	Preheating .....	142
U331	Heat Treatment .....	142
U332	Bending and Forming .....	142
U333	Brazing and Soldering .....	142
U335	Assembly and Erection .....	142
<b>Part 10</b>	<b>Inspection, Examination, and Testing</b> .....	142
U340	Inspection .....	142
U341	Examination .....	142
U342	Examination Personnel .....	142
U343	Examination Procedures .....	142
U344	Types of Examination .....	144
U345	Testing .....	144
U346	Records .....	144
<b>Part 11</b>	<b>High Purity Piping in Category M Fluid Service</b> .....	144
UM300	General Statements .....	144
UM307	Metallic Valves and Specialty Components .....	145
UM322	Specific Piping Systems .....	145
UM328	Welding of Materials .....	145
UM335	Assembly and Erection of Metallic Piping .....	145
UM341	Examination .....	145
UM345	Testing .....	145
<b>Figures</b>		
300.1.1	Diagram Illustrating Application of B31.3 Piping at Equipment .....	3
302.3.5	Stress Range Factor, $f$ .....	17
304.2.1	Nomenclature for Pipe Bends .....	21
304.2.3	Nomenclature for Miter Bends .....	21
304.3.3	Branch Connection Nomenclature .....	23
304.3.4	Extruded Outlet Header Nomenclature .....	25
304.5.3	Blanks .....	29
319.4.4A	Moments in Bends .....	40
319.4.4B	Moments in Branch Connections .....	40
323.2.2A	Minimum Temperatures Without Impact Testing for Carbon Steel Materials .....	49
323.2.2B	Reduction in Minimum Design Metal Temperature Without Impact Testing .....	51
328.3.2	Typical Backing Rings and Consumable Inserts .....	61
328.4.2	Typical Butt Weld End Preparation .....	61
328.4.3	Trimming and Permitted Misalignment .....	61
328.4.4	Preparation for Branch Connections .....	62
328.5.2A	Fillet Weld Size .....	63
328.5.2B	Typical Details for Double-Welded Slip-On and Socket Welding Flange Attachment Welds .....	63
328.5.2C	Minimum Welding Dimensions for Socket Welding Components Other Than Flanges .....	63
328.5.4A	Typical Welded Branch Connections .....	64
328.5.4B	Typical Welded Branch Connections .....	64
328.5.4C	Typical Welded Branch Connections .....	64
328.5.4D	Acceptable Details for Branch Attachment Welds .....	64

328.5.4E	Acceptable Details for Branch Attachment Suitable for 100% Radiography .....	64
328.5.5	Typical Fabricated Laps .....	65
335.3.3	Typical Threaded Joints Using Straight Threads .....	72
341.3.2	Typical Weld Imperfections .....	78
A328.5	Typical Plastic Piping Joints .....	102
K323.3.3	Example of an Acceptable Impact Test Specimen .....	128
K328.4.3	Pipe Bored for Alignment: Trimming and Permitted Misalignment .....	133
K328.5.4	Some Acceptable Welded Branch Connections Suitable for 100% Radiography .....	133
U304.5.3	Blanks .....	141
U335.7.1	Face Seal Joints .....	143
U335.8	Hygienic Clamp .....	143
<b>Tables</b>		
300.4	Status of Appendices in B31.3 .....	9
302.3.3C	Increased Casting Quality Factors, $E_c$ .....	15
302.3.3D	Acceptance Levels for Castings .....	15
302.3.4	Longitudinal Weld Joint Quality Factor, $E_j$ .....	16
302.3.5	Weld Joint Strength Reduction Factor, $W$ .....	19
304.1.1	Values of Coefficient $Y$ for $t < D/6$ .....	20
304.4.1	BPV Code References for Closures .....	27
308.2.1	Permissible Sizes/Rating Classes for Slip-On Flanges Used as Lapped Flanges .....	32
314.2.1	Minimum Thickness of External Threaded Components .....	35
323.2.2	Requirements for Low Temperature Toughness Tests for Metals .....	47
323.2.2A	Tabular Values for Minimum Temperatures Without Impact Testing for Carbon Steel Materials .....	50
323.3.1	Impact Testing Requirements for Metals .....	52
323.3.4	Charpy Impact Test Temperature Reduction .....	53
323.3.5	Minimum Required Charpy V-Notch Impact Values .....	54
326.1	Component Standards .....	57
330.1.1	Preheat Temperatures .....	66
331.1.1	Requirements for Heat Treatment .....	68
341.3.2	Acceptance Criteria for Welds and Examination Methods for Evaluating Weld Imperfections .....	75
A323.2.2	Requirements for Low Temperature Toughness Tests for Nonmetals .....	95
A323.4.2C	Recommended Temperature Limits for Reinforced Thermosetting Resin Pipe .....	95
A323.4.3	Recommended Temperature Limits for Thermoplastics Used as Linings .....	96
A326.1	Component Standards .....	97
A341.3.2	Acceptance Criteria for Bonds .....	105
K302.3.3D	Acceptable Severity Levels for Steel Castings .....	118
K305.1.2	Required Ultrasonic or Eddy Current Examination of Pipe and Tubing for Longitudinal Defects .....	122
K323.3.1	Impact Testing Requirements .....	127
K323.3.5	Minimum Required Charpy V-Notch Impact Values .....	129
K326.1	Component Standards .....	131
K341.3.2	Acceptance Criteria for Welds .....	136
<b>Appendices</b>		
A	Allowable Stresses and Quality Factors for Metallic Piping and Bolting Materials .....	147
	Specification Index for Appendix A .....	148
	Notes for Tables A-1, A-1A, A-1B, A-1M, A-2, and A-2M .....	151
	<b>Table A-1 Basic Allowable Stresses in Tension for Metals</b> .....	155
	Iron Castings .....	155

Carbon Steel	
Pipes and Tubes	156
Pipes (Structural Grade)	160
Plates, Bars, Shapes, and Sheets	160
Plates, Bars, Shapes, and Sheets (Structural)	162
Forgings and Fittings	162
Castings	162
Low and Intermediate Alloy Steel	
Pipes	164
Plates	166
Forgings and Fittings	168
Castings	170
Stainless Steel	
Pipes and Tubes	172
Plates and Sheets	176
Forgings and Fittings	178
Bar	182
Castings	182
Copper and Copper Alloy	
Pipes and Tubes	184
Plates and Sheets	184
Forgings	186
Castings	186
Rod	186
Nickel and Nickel Alloy	
Pipes and Tubes	188
Plates and Sheets	190
Forgings and Fittings	192
Rod and Bar	196
Castings	196
Titanium and Titanium Alloy	
Pipes and Tubes	198
Plates and Sheets	198
Forgings	198
Zirconium and Zirconium Alloy	
Pipes and Tubes	198
Plates and Sheets	198
Forgings and Bar	198
Aluminum Alloy	
Seamless Pipes and Tubes	200
Welded Pipes and Tubes	202
Structural Tubes	202
Plates and Sheets	203
Forgings and Fittings	204
Castings	205
<b>Table A-1M Basic Allowable Stresses in Tension for Metals (Metric)</b>	206
Fe	206
Carbon Steel	208
Low and Intermediate Alloy Steel	228
Stainless Steel	248
Copper and Copper Alloy	276
Nickel and Nickel Alloy	282
Titanium and Titanium Alloy	310
Zirconium and Zirconium Alloy	312
Aluminum Alloy	314
<b>Table A-1A Basic Casting Quality Factors, <math>E_c</math></b>	332

	<b>Table A-1B Basic Quality Factors for Longitudinal Weld Joints in Pipes, Tubes, and Fittings, <math>E_j</math></b> .....	333
	Carbon Steel .....	333
	Low and Intermediate Alloy Steel .....	333
	Stainless Steel .....	334
	Copper and Copper Alloy .....	334
	Nickel and Nickel Alloy .....	335
	Titanium and Titanium Alloy .....	335
	Zirconium and Zirconium Alloy .....	335
	Aluminum Alloy .....	335
	<b>Table A-2 Design Stress Values for Bolting Materials</b> .....	336
	Carbon Steel .....	336
	Alloy Steel .....	336
	Stainless Steel .....	336
	Copper and Copper Alloy .....	342
	Nickel and Nickel Alloy .....	342
	Aluminum Alloy .....	344
	<b>Table A-2M Design Stress Values for Bolting Materials (Metric)</b> .....	346
B	Stress Tables and Allowable Pressure Tables for Nonmetals .....	362
C	Physical Properties of Piping Materials .....	369
D	Flexibility and Stress Intensification Factors .....	384
E	Reference Standards .....	388
F	Precautionary Considerations .....	394
G	Safeguarding .....	399
H	Sample Calculations for Branch Reinforcement .....	400
J	Nomenclature .....	409
K	Allowable Stresses for High Pressure Piping .....	422
L	Aluminum Alloy Pipe Flanges .....	436
M	Guide to Classifying Fluid Services .....	439
N	Application of ASME B31.3 Internationally .....	441
P	Alternative Rules for Evaluating Stress Range .....	442
Q	Quality System Program .....	444
S	Piping System Stress Analysis Examples .....	445
V	Allowable Variations in Elevated Temperature Service .....	458
X	Metallic Bellows Expansion Joints .....	461
Z	Preparation of Technical Inquiries .....	466
<b>Index</b>	.....	467

# FOREWORD

Responding to evident need and at the request of The American Society of Mechanical Engineers, the American Standards Association initiated Project B31 in March 1926, with ASME as sole administrative sponsor. The breadth of the field involved required that membership of the Sectional Committee be drawn from some 40 engineering societies, industries, government bureaus, institutes, and trade associations.

Initial publication in 1935 was as the American Tentative Standard Code for Pressure Piping. Revisions from 1942 through 1955 were published as American Standard Code for Pressure Piping, ASA B31.1. It was then decided to publish as separate documents the various industry Sections, beginning with ASA B31.8-1955, Gas Transmission and Distribution Piping Systems. The first Petroleum Refinery Piping Code Section was designated ASA B31.3-1959. ASA B31.3 revisions were published in 1962 and 1966.

In 1967–1969, the American Standards Association became first the United States of America Standards Institute, then the American National Standards Institute. The Sectional Committee became American National Standards Committee B31 and the Code was renamed the American National Standard Code for Pressure Piping. The next B31.3 revision was designated ANSI B31.3-1973. Addenda were published through 1975.

A draft Code Section for Chemical Plant Piping, prepared by Section Committee B31.6, was ready for approval in 1974. It was decided, rather than have two closely related Code Sections, to merge the Section Committees and develop a joint Code Section, titled Chemical Plant and Petroleum Refinery Piping. The first edition was published as ANSI B31.3-1976.

In this Code, responsibility for piping design was conceptually integrated with that for the overall processing facility, with safeguarding recognized as an effective safety measure. Three categories of Fluid Service were identified, with a separate Chapter for Category M Fluid Service. Coverage for nonmetallic piping was introduced. New concepts were better defined in five Addenda, the fourth of which added Appendix M, a graphic aid to selection of the proper Fluid Service category.

The Standards Committee was reorganized in 1978 as a Committee operating under ASME procedures with ANSI accreditation. It is now the ASME Code for Pressure Piping, B31 Committee. Section committee structure remains essentially unchanged.

The second edition of Chemical Plant and Petroleum Refinery Piping was compiled from the 1976 Edition and its five Addenda, with nonmetal requirements editorially relocated to a separate Chapter. Its new designation was ANSI/ASME B31.3-1980.

Section Committee B31.10 had a draft Code for Cryogenic Piping ready for approval in 1981. Again, it was decided to merge the two Section Committees and develop a more inclusive Code with the same title. The work of consolidation was partially completed in the ANSI/ASME B31.3-1984 Edition.

Significant changes were made in Addenda to the 1984 Edition: integration of cryogenic requirements was completed; a new stand-alone Chapter on high-pressure piping was added; and coverage of fabrication, inspection, testing, and allowable stresses was reorganized. The new Edition was redesignated as ASME/ANSI B31.3-1987 Edition.

Addenda to subsequent Editions, published at three-year intervals, have been primarily to keep the Code up-to-date. New Appendices have been added, however, on requirements for bellows expansion joints, estimating service life, submittal of Inquiries, aluminum flanges, and quality control in the 1990, 1993, 1999, and 2002 Editions, all designated as ASME B31.3.

In a program to clarify the application of all Sections of the Code for Pressure Piping, changes were made in the Introduction and Scope statements of the 1996 Edition, and its title was changed to Process Piping.

Under direction of ASME Codes and Standards management, metric units of measurement are being emphasized. With certain exceptions, SI metric units were listed first in the 1996 Edition and were designated as the standard. Instructions for conversion are given where metric data are not available. U.S. customary units also are given. By agreement, either system may be used.

In this Edition of the Code, SI metric units are given first, with U.S. Customary units in parentheses. Appendices H and X, the table in Appendix K, and Tables C-1, C-3, and C-6 in Appendix C are exceptions. A portion of the allowable design values in Appendix A are given in both SI metric and U.S. Customary units. Except for Appendix A, values in metric units are to be regarded as the standard, unless otherwise agreed between the contracting parties. In Appendix A, the U.S. Customary units are to be regarded as the standard. Instructions are given in those tables for converting tabular data in U.S. Customary units to appropriate SI metric units.

Interpretations, Code Cases, and errata to the B31.3 Code on Process Piping are published on the following ASME web page: <http://cstools.asme.org/csconnect/CommitteePages.cfm?Committee=N10020400>.

ASME B31.3-2012 was approved by the American National Standards Institute on May 9, 2012.

# ASME B31 COMMITTEE

## Code for Pressure Piping

(The following is the roster of the Committee at the time of approval of this Code.)

### STANDARDS COMMITTEE OFFICERS

**M. L. Nayyar**, *Chair*  
**J. E. Meyer**, *Vice Chair*  
**N. Lobo**, *Secretary*

### STANDARDS COMMITTEE PERSONNEL

<b>R. J. T. Appleby</b> , ExxonMobil Development Co.	<b>N. Lobo</b> , The American Society of Mechanical Engineers
<b>C. Becht IV</b> , Becht Engineering Co.	<b>W. J. Mauro</b> , American Electric Power
<b>A. E. Beyer</b> , Fluor Enterprises	<b>J. E. Meyer</b> , Louis Perry & Associates, Inc.
<b>K. C. Bodenhamer</b> , Enterprise Products Co.	<b>M. L. Nayyar</b>
<b>C. J. Campbell</b> , Air Liquide	<b>R. G. Payne</b> , Alstom Power, Inc.
<b>J. S. Chin</b> , TransCanada Pipeline U.S.	<b>G. R. Petru</b> , EPCO Inc.
<b>D. D. Christian</b> , Victaulic	<b>E. H. Rinaca</b> , Dominion Resources, Inc.
<b>D. L. Coym</b> , Intertek Moody	<b>M. J. Rosenfeld</b> , Kiefner/Applus – RTD
<b>C. J. Melo</b> , <i>Alternate</i> , S&B Engineers and Constructors, Ltd.	<b>R. J. Silvia</b> , Process Engineers & Constructors, Inc.
<b>R. P. Deubler</b> , Fronex Power Systems, LLC	<b>W. J. Sperko</b> , Sperko Engineering Services, Inc.
<b>P. D. Flenner</b> , Flenner Engineering Services	<b>F. W. Tatar</b> , FM Global
<b>J. W. Frey</b> , Stress Engineering Services, Inc.	<b>K. A. Vilminot</b> , Black & Veatch
<b>D. R. Frikken</b> , Becht Engineering Co.	<b>A. Soni</b> , <i>Delegate</i> , Engineers India Ltd.
<b>R. A. Grichuk</b> , Fluor Enterprises, Inc.	<b>L. E. Hayden, Jr.</b> , <i>Ex-Officio Member</i>
<b>R. W. Haupt</b> , Pressure Piping Engineering Associates, Inc.	<b>W. J. Koves</b> , <i>Ex-Officio Member</i> , Pi Engineering Software, Inc.
<b>B. P. Holbrook</b> , Babcock Power, Inc.	<b>A. P. Rangus</b> , <i>Ex-Officio Member</i> , Bechtel
<b>G. A. Jolly</b> , Vogt Valves/Flowserve Corp.	<b>J. T. Schmitz</b> , <i>Ex-Officio Member</i> , Southwest Gas Corp.
	<b>R. A. Appleton</b> , <i>Contributing Member</i> , Refrigeration Systems Co.

### B31.3 PROCESS PIPING SECTION COMMITTEE

<b>J. E. Meyer</b> , <i>Chair</i> , Louis Perry & Associates, Inc.	<b>P. J. Guerrieri, Sr.</b> , Integrated Mechanical Services, Inc.
<b>R. W. Engle</b> , <i>Vice Chair</i> , The Dow Chemical Co.	<b>R. W. Haupt</b> , Pressure Piping Engineering Associates, Inc.
<b>R. Mohamed</b> , <i>Secretary</i> , The American Society of Mechanical Engineers	<b>B. K. Henon</b> , ARC Machines, Inc.
<b>B. L. Agee</b> , General Electric Co.	<b>J. F. Hodgins</b> , Car-Ber Testing Services
<b>C. Becht IV</b> , Becht Engineering Co.	<b>W. J. Koves</b> , Pi Engineering Software, Inc.
<b>R. M. Bojarczuk</b> , ExxonMobil Research & Engineering Co.	<b>R. A. McLeod</b> , Circor Instrumentation Technologies
<b>R. D. Campbell</b> , Bechtel Construction Operations, Inc.	<b>R. J. Medvick</b> , Consultant
<b>D. D. Christian</b> , Victaulic	<b>C. J. Melo</b> , S&B Engineers and Constructors, Ltd.
<b>D. L. Coym</b> , Intertek Moody	<b>V. B. Molina III</b> , Air Products & Chemicals, Inc.
<b>J. A. D’Avanzo</b> , DuPont Engineering	<b>C. A. Moore</b> , Smith Fibercast
<b>C. E. Davila</b> , Crane Energy	<b>A. D. Nalbandian</b> , Thielsch Engineering, Inc.
<b>D. W. Diehl</b> , Intergraph Corp.	<b>K. A. Nisly-Nagele</b> , Archer Daniels Midland Co.
<b>D. R. Edwards</b> , ConocoPhillips	<b>C. D. Pham</b> , SBM Offshore, Inc.
<b>J. P. Ellenberger</b>	<b>J. M. Prawdzik</b>
<b>C. H. Eskridge, Jr.</b> , Jacobs Engineering	<b>D. W. Raho</b> , CCM 2000
<b>D. J. Fetzner</b> , BP Exploration Alaska, Inc.	<b>A. P. Rangus</b> , Bechtel
<b>P. D. Flenner</b> , Flenner Engineering Services	<b>R. K. Reamey</b> , Turner Industries Group, LLC
<b>D. R. Fraser</b> , NASA Ames Research Center	<b>G. C. Reinhardt II</b> , Team Industries, Inc.
<b>D. R. Frikken</b> , Becht Engineering Co.	<b>P. E. Robinson</b> , Parker Hannifin Corp.
<b>O. R. Greulich</b> , NASA	<b>K. S. Shipley</b> , The Equity Engineering Group, Inc.
<b>R. A. Grichuk</b> , Fluor Enterprises, Inc.	<b>C. Y. Shyu</b> , ExxonMobil Development Co.
	<b>R. J. Silvia</b> , Process Engineers & Constructors, Inc.



**J. L. Smith**, Jacobs Engineering Group  
**F. W. Tatar**, FM Global  
**Q. N. Truong**, Refinery Technology, Inc.  
**C. T. Widder**, Tessengerlo Kerley Services, Inc.  
**G. E. Woods**, GCS Consulting Services, Inc.  
**C. G. Ziu**, Orion Fittings, Inc.

**S. Biyuan**, *Delegate*, PetroChina Pipeline Co.  
**F. Zhang**, *Delegate*, SINOPEC Engineering Incorporation  
**G. C. Glover**, *Contributing Member*, KBR  
**J. C. Luf**, *Contributing Member*, Jacobs Engineering  
**J. T. Wier**, *Honorary Member*

### B31.3 INTERNATIONAL REVIEW GROUP

**R. W. Engle**, *Chair*, The Dow Chemical Co.  
**A. Ali**, AES Arabia Ltd.  
**A. T. Balloch**, Proteus EPCM Engineers  
**D. W. Bikker**, DuPont de Nemours  
**G. Evans**, BP Exploration  
**S. LaForge**, Total France  
**J. K. Lambert**, Welding Consultant  
**H. W. Lange**, Lisega A.G.

**J. Langeland**, Agent Kielland  
**M. S. Mokhtar**, SBM Offshore, Inc.  
**T. J. Naughton**, Jacobs Engineering  
**A. Rokhsativand**, Pars Oil & Gas Co.  
**G. Suresh**, Dow Chemical International Private Ltd.  
**H. Van Leengoed**, Jacobs Nederland  
**S. Wei-Yeow**, Shell Sarawak Berhad

### B31.3 SUBGROUP ON DESIGN

**R. M. Bojarczuk**, *Chair*, ExxonMobil Research & Engineering Co.  
**D. Arnett**, Fluor Enterprises Inc.  
**J. P. Breen**, Becht Engineering Co.  
**S. Butler**, Shell Global Solutions  
**D. W. Diehl**, Intergraph Corp.  
**D. R. Edwards**, ConocoPhillips Co.  
**J. P. Ellenberger**  
**R. W. Haupt**, Pressure Piping Engineering Associates, Inc.  
**D. L. Ianiro**, Mainthia Technologies, Inc.  
**W. J. Koves**, Pi Engineering Software, Inc.  
**E. M. Kvarda**, Swagelok

**R. A. Leishear**, Savannah River National Laboratory  
**C. Nath**, DuPont Engineering  
**K. A. Nisly-Nagele**, Archer Daniels Midland Co.  
**C. D. Pham**, SBM Offshore, Inc.  
**M. S. Sandacz**, UOP LLC  
**T. C. Scrivner**, ExxonMobil  
**K. S. Shipley**, The Equity Engineering Group, Inc.  
**S. B. Tewell**, WFI International, Inc.  
**B. K. Walker**, B&W Y-12 LLC  
**G. E. Woods**, GCS Consulting Services, Inc.  
**J. C. Luf**, *Contributing Member*, Jacobs Engineering

### B31.3 SUBGROUP ON EDIT

**D. J. Fetzner**, *Chair*, BP Exploration Alaska, Inc.  
**C. Becht IV**, Becht Engineering Co.  
**R. W. Engle**, The Dow Chemical Co.

**D. R. Frikken**, Becht Engineering Co.  
**J. E. Meyer**, Louis Perry & Associates, Inc.

### B31.3 SUBGROUP ON FABRICATION, EXAMINATION, AND TESTING

**C. H. Eskridge, Jr.**, *Chair*, Jacobs Engineering  
**R. D. Campbell**, Bechtel Construction Operations, Inc.  
**K. J. Chizen**, Metalogic Inspection Services  
**D. J. Fetzner**, BP Exploration Alaska, Inc.  
**P. D. Flenner**, Flenner Engineering Services  
**B. Gordon**, RMF Nooter  
**J. F. Hodgins**, Car-Ber Testing Services  
**D. H. Markman**, Enerpipe Systems, Inc.  
**M. W. May**, Chevron Energy Technology Co., USA  
**R. A. McLeod**, Circor Instrumentation Technologies

**A. D. Nalbandian**, Thielsch Engineering, Inc.  
**R. K. Reamey**, Turner Industries Group, LLC  
**G. C. Reinhardt II**, Team Industries, Inc.  
**L. G. Richardson**, Hi-Tech Testing Services, Inc.  
**R. A. Sierra**, R. A. Sierra, LLC  
**R. J. Silvia**, Process Engineers & Constructors, Inc.  
**W. J. Sperko**, Sperko Engineering Services, Inc.  
**J. P. Swezy, Jr.**, UT-Battelle  
**S. W. Vail**, Bechtel National, Inc.  
**L. S. Varone**, Shaw Group  
**C. T. Widder**, Tessengerlo Kerley Services, Inc.

### B31.3 SUBGROUP ON GENERAL REQUIREMENTS

**D. D. Christian**, *Chair*, Victaulic  
**D. L. Coym**, Intertek Moody  
**J. A. D'Avanzo**, DuPont Engineering  
**C. E. Davila**, Crane Energy

**C. J. Melo**, S&B Engineers and Constructors, Ltd.  
**C. Y. Shyu**, ExxonMobil Development Co.  
**K. J. Simko**, Victaulic  
**J. L. Welch**, T. D. Williamson, Inc.

### B31.3 SUBGROUP ON HIGH PRESSURE PIPING

**A. P. Rangus**, *Chair*, Bechtel  
**D. R. Fraser**, NASA Ames Research Center  
**O. R. Greulich**, NASA  
**R. J. Medvick**, Consultant

**M. H. Nguyen**, Lockwood International  
**F. W. Tatar**, FM Global  
**Q. N. Truong**, Refinery Technology, Inc.  
**W. L. Weeks**, Lummus Technology

### B31.3 SUBGROUP ON HIGH PURITY SYSTEMS

**V. B. Molina III**, *Chair*, Air Products & Chemicals, Inc.  
**G. A. Babuder**, Swagelok Co.  
**D. W. Cobb**, ARC Machines, Inc.  
**P. J. Guerrieri, Sr.**, Integrated Mechanical Services, Inc.

**B. K. Henon**, ARC Machines, Inc.  
**W. M. Huitt**, W. M. Huitt Co.  
**P. E. Robinson**, Parker Hannifin Corp.

### B31.3 SUBGROUP ON MATERIALS

**R. A. Grichuk**, *Chair*, Fluor Enterprises, Inc.  
**B. L. Agee**, General Electric Co.  
**C. Chang**, Bechtel National, Inc.  
**L. K. Hovey**, ConocoPhillips  
**M. Katcher**, Haynes International  
**J. M. Prawdzyk**  
**D. W. Raho**, CCM 2000  
**A. Raza**, Pi Engineering, Inc.

**J. L. Smith**, Jacobs Engineering Group  
**S. Tang**, Swagelok Co.  
**S. J. Tonkins**, BP Exploration Alaska, Inc.  
**W. Jianyu**, *Contributing Member*, SINOPEC Shanghai Engineering Corp.  
**K. Songlin**, *Contributing Member*, SINOPEC Engineering, Inc.

### B31.3 SUBGROUP ON NON-METALLIC PIPING

**C. A. Moore**, *Chair*, Smith Fibercast  
**M. A. Clark**, Nibco, Inc.  
**J. D. Eisenman**, Maverick Applied Science, Inc.  
**J. B. Immel**, Spears Manufacturing Co.  
**J. M. Kalnins**, Crane ChemPharma Flow Solutions — Resistoflex  
**D. A. McGriff**, ISCO Industries, LLC  
**T. R. McPherson**, IPS Corp.

**J. R. Paschal**, Paschal Engineering & Forensic Consulting, Inc.  
**J. D. Roach**, IPS Corp.  
**N. J. Rollins**, Harrington Industrial Plastics  
**F. R. Volgstadt**, Volgstadt & Associates, Inc.  
**D. Yanik**, Crane Resistoflex  
**C. G. Ziu**, Orion Fittings, Inc.

### B31.3 PROCESS PIPING, INDIA INTERNATIONAL WORKING GROUP

**R. P. Singh**, *Chair*, CB&I Lummus Private Ltd.  
**A. Kumar**, *Vice Chair*, Larsen & Toubro Ltd.  
**R. Mohamed**, *Secretary*, The American Society of Mechanical Engineers  
**S. Biswas**, CH2M Hill  
**S. Garg**, Punj Lloyd Ltd.  
**R. Goel**, Bechtel India Ltd.  
**P. Govindaraj**, Dow Chemical International Private Ltd.  
**R. Hariharan**, L&T Chiyoda

**A. Jettley**, Bechtel India Private Ltd.  
**R. K. Mittal**, GAIL (India) Ltd.  
**R. Murugantham**, Larsen & Toubro Ltd.  
**R. Nanda**, Engineers India Ltd.  
**P. Pravin Buddhadeo**, Bechtel India Private Ltd.  
**P. Sanyal**, Bechtel India Private Ltd.  
**C. N. Trivedi**, GAIL (India) Ltd.  
**R. K. Srivastava**, *Alternate*, Larsen & Toubro Ltd.

### B31 FABRICATION AND EXAMINATION COMMITTEE

**A. P. Rangus**, *Chair*, Bechtel  
**F. Huang**, *Secretary*, The American Society of Mechanical Engineers  
**J. P. Ellenberger**  
**R. J. Ferguson**, Metallurgist  
**D. J. Fetzner**, BP Exploration Alaska, Inc.  
**P. D. Flenner**, Flenner Engineering Services  
**J. W. Frey**, Stress Engineering Services, Inc.  
**W. W. Lewis**, E. I. DuPont

**S. P. Licud**, Consultant  
**T. Monday**, Team Industries, Inc.  
**A. D. Nalbandian**, Thielsch Engineering, Inc.  
**R. I. Seals**, Consultant  
**R. J. Silvia**, Process Engineers & Constructors, Inc.  
**W. J. Sperko**, Sperko Engineering Services, Inc.  
**E. F. Summers, Jr.**, Babcock & Wilcox Construction Co.  
**J. P. Swezy, Jr.**, UT-Battelle  
**P. L. Vaughan**, ONEOK Partners

### B31 MATERIALS TECHNICAL COMMITTEE

- R. A. Grichuk**, *Chair*, Fluor Enterprises, Inc.  
**N. Lobo**, *Secretary*, The American Society of Mechanical Engineers  
**R. P. Deubler**, Fronex Power Systems, LLC  
**C. H. Eskridge, Jr.**, Jacobs Engineering  
**G. A. Jolly**, Vogt Valves/Flowserve Corp.  
**C. J. Melo**, S&B Engineers & Constructors, Ltd.  
**M. L. Nayyar**
- M. B. Pickell**, Willbros Engineers, Inc.  
**D. W. Raho**, CCM 2000  
**R. A. Schmidt**, Canadoil  
**H. R. Simpson**, Stantec  
**J. L. Smith**, Jacobs Engineering Group  
**Z. Djilali**, *Contributing Member*, BEREP

### B31 MECHANICAL DESIGN TECHNICAL COMMITTEE

- W. J. Koves**, *Chair*, Pi Engineering Software, Inc.  
**G. A. Antaki**, *Vice Chair*, Becht Engineering Co., Inc.  
**C. E. O'Brien**, *Secretary*, The American Society of Mechanical Engineers  
**D. Arnett**, Fluor Enterprises, Inc.  
**C. Becht IV**, Becht Engineering Co.  
**R. Bethea**, Huntington Ingalls Industries — Newport News Shipbuilding  
**J. P. Breen**, Becht Engineering Co.  
**P. Cakir-Kavcar**, Bechtel Corp. — Oil, Gas & Chemicals  
**N. F. Consumo, Sr.**, Nuclear Engineer  
**J. P. Ellenberger**  
**D. J. Fetzner**, BP Exploration Alaska, Inc.  
**J. A. Graziano**, Consultant  
**R. W. Haupt**, Pressure Piping Engineering Associates, Inc.
- B. P. Holbrook**, Babcock Power, Inc.  
**R. A. Leishear**, Savannah River National Laboratory  
**G. D. Mayers**, Alion Science & Technology  
**J. F. McCabe**, General Dynamics Electric Boat  
**T. Q. McCawley**, TQM Engineering PC  
**R. J. Medvick**, Consultant  
**J. C. Minichiello**, Bechtel National, Inc.  
**A. W. Paulin**, Paulin Resource Group  
**R. A. Robleto**, KBR  
**M. J. Rosenfeld**, Kiefner/Applus — RTD  
**T. Sato**, Japan Power Engineering and Inspection Corp.  
**G. Stevick**, Berkeley Engineering and Research, Inc.  
**E. A. Wais**, Wais and Associates, Inc.  
**H. Kosasayama**, *Delegate*, JGC Corp.  
**E. C. Rodabaugh**, *Honorary Member*, Consultant

### B31 CONFERENCE GROUP

- A. Bell**, Bonneville Power Administration  
**R. A. Coomes**, Commonwealth of Kentucky, Department of Housing/Boiler Section  
**D. H. Hanrath**  
**C. J. Harvey**, Alabama Public Service Commission  
**D. T. Jagger**, Ohio Department of Commerce  
**M. Kotb**, Régie du Bâtiment du Québec  
**K. T. Lau**, Alberta Boilers Safety Association  
**R. G. Marini**, New Hampshire Public Utilities Commission  
**I. W. Mault**, Manitoba Department of Labour  
**A. W. Meiring**, Fire and Building Boiler and Pressure Vessel Division/Indiana
- R. F. Mullaney**, Boiler and Pressure Vessel Safety Branch/Vancouver  
**P. Sher**, State of Connecticut  
**M. E. Skarda**, Arkansas Department of Labor  
**D. A. Starr**, Nebraska Department of Labor  
**D. J. Sturmsma**, Iowa Utilities Board  
**R. P. Sullivan**, The National Board of Boiler and Pressure Vessel Inspectors  
**J. E. Troppman**, Division of Labor/State of Colorado Boiler Inspections  
**W. A. M. West**, Lighthouse Assistance, Inc.  
**T. F. Wickham**, Rhode Island Department of Labor

## INTRODUCTION

The ASME B31 Code for Pressure Piping consists of a number of individually published Sections, each an American National Standard, under the direction of ASME Committee B31, Code for Pressure Piping.

Rules for each Section reflect the kinds of piping installations considered during its development, as follows:

- B31.1 Power Piping: piping typically found in electric power generating stations, in industrial and institutional plants, geothermal heating systems, and central and district heating and cooling systems
- B31.3 Process Piping: piping typically found in petroleum refineries; chemical, pharmaceutical, textile, paper, semiconductor, and cryogenic plants; and related processing plants and terminals
- B31.4 Pipeline Transportation Systems for Liquids and Slurries: piping transporting products that are predominately liquid between plants and terminals and within terminals, pumping, regulating, and metering stations
- B31.5 Refrigeration Piping: piping for refrigerants and secondary coolants
- B31.8 Gas Transmission and Distribution Piping Systems: piping transporting products that are predominately gas between sources and terminals, including compressor, regulating, and metering stations; gas gathering pipelines
- B31.9 Building Services Piping: piping typically found in industrial, institutional, commercial, and public buildings, and in multi-unit residences, which does not require the range of sizes, pressures, and temperatures covered in B31.1
- B31.11<sup>1</sup> Slurry Transportation Piping Systems: piping transporting aqueous slurries between facilities, plants, and terminals, and within terminals and pumping and regulating stations.
- B31.12 Hydrogen Piping and Pipelines: piping in gaseous and liquid hydrogen service and pipelines in gaseous hydrogen service

This is the B31.3 Process Piping Code Section. Hereafter, in this Introduction and in the text of this Code Section B31.3, where the word *Code* is used without specific identification, it means this Code Section.

It is the owner's responsibility to select the Code Section that most nearly applies to a proposed piping installation. Factors to be considered by the owner include limitations of the Code Section; jurisdictional requirements; and the applicability of other codes and standards. All applicable requirements of the selected Code Section shall be met. For some installations, more than one Code Section may apply to different parts of the installation. The owner is also responsible for imposing requirements supplementary to those of the Code if necessary to assure safe piping for the proposed installation.

Certain piping within a facility may be subject to other codes and standards, including but not limited to

- ANSI Z223.1 National Fuel Gas Code: piping for fuel gas from the point of delivery to the connection of each fuel utilization device
- NFPA Fire Protection Standards: fire protection systems using water, carbon dioxide, halon, foam, dry chemicals, and wet chemicals
- NFPA 99 Health Care Facilities: medical and laboratory gas systems
- building and plumbing codes, as applicable, for potable hot and cold water, and for sewer and drain systems

<sup>1</sup> Incorporated into B31.4-2012.

The Code sets forth engineering requirements deemed necessary for safe design and construction of pressure piping. While safety is the basic consideration, this factor alone will not necessarily govern the final specifications for any piping installation. The designer is cautioned that the Code is not a design handbook; it does not eliminate the need for the designer or for competent engineering judgment.

To the greatest possible extent, Code requirements for design are stated in terms of basic design principles and formulas. These are supplemented as necessary with specific requirements to ensure uniform application of principles and to guide selection and application of piping elements. The Code prohibits designs and practices known to be unsafe and contains warnings where caution, but not prohibition, is warranted.

This Code Section includes the following:

- (a) references to acceptable material specifications and component standards, including dimensional requirements and pressure-temperature ratings
- (b) requirements for design of components and assemblies, including piping supports
- (c) requirements and data for evaluation and limitation of stresses, reactions, and movements associated with pressure, temperature changes, and other forces
- (d) guidance and limitations on the selection and application of materials, components, and joining methods
- (e) requirements for the fabrication, assembly, and erection of piping
- (f) requirements for examination, inspection, and testing of piping

ASME Committee B31 is organized and operates under procedures of The American Society of Mechanical Engineers that have been accredited by the American National Standards Institute. The Committee is a continuing one, and keeps all Code Sections current with new developments in materials, construction, and industrial practice. New editions are published at intervals of two years.

Code users will note that paragraphs in the Code are not necessarily numbered consecutively. Such discontinuities result from following a common outline, insofar as practical, for all Code Sections. In this way, corresponding material is correspondingly numbered in most Code Sections, thus facilitating reference by those who have occasion to use more than one Section.

It is intended that this edition of Code Section B31.3 not be retroactive. Unless agreement is specifically made between contracting parties to use another issue, or the regulatory body having jurisdiction imposes the use of another issue, the latest edition issued at least 6 mo prior to the original contract date for the first phase of activity covering a piping installation shall be the governing document for all design, materials, fabrication, erection, examination, and testing for the piping until the completion of the work and initial operation.

Users of this Code are cautioned against making use of Code revisions without assurance that they are acceptable to the proper authorities in the jurisdiction where the piping is to be installed.

The B31 Committee has established an orderly procedure to consider requests for interpretation and revision of Code requirements. To receive consideration, such request must be in writing and must give full particulars in accordance with Appendix Z.

The approved reply to an inquiry will be sent directly to the inquirer. In addition, the question and reply will be published as part of an Interpretation supplement.

A Case is the prescribed form of reply when study indicates that the Code wording needs clarification, or when the reply modifies existing requirements of the Code or grants permission to use new materials or alternative constructions. The Case will be published as part of a Case supplement.

Code Cases remain available for use until annulled by the ASME B31 Standards Committee.

A request for revision of the Code will be placed on the Committee's agenda. Further information or active participation on the part of the proponent may be requested during consideration of a proposed revision.

Materials ordinarily are listed in the stress tables only when sufficient usage in piping within the scope of the Code has been shown. Requests for listing shall include evidence of satisfactory usage and specific data to permit establishment of allowable stresses, maximum and minimum temperature limits, and other restrictions. Additional criteria can be found in the guidelines for addition of new materials in the ASME Boiler and Pressure Vessel Code, Section II. (To develop usage and gain experience, unlisted materials may be used in accordance with para. 323.1.2.)

# ASME B31.3-2012 SUMMARY OF CHANGES

Following approval by the B31 Committee and ASME, and after public review, ASME B31.3-2012 was approved by the American National Standards Institute on May 9, 2012.

Changes given below are identified on the pages by a margin note, **(12)**, placed next to the affected area.

<i>Page</i>	<i>Location</i>	<i>Change</i>
xix, xx	Introduction	Ninth-to-last and third-to-last paragraphs revised
1–7	300	(1) Subparagraph (b)(1) revised (2) Subparagraph (d) revised (3) Subparagraph (e) deleted (4) Subparagraph (f) redesignated as (e) and new subparagraph (f) added
	300.2	(1) Definition of <i>autogenous weld</i> added (2) Under <i>fluid service</i> , definitions of <i>Category D Fluid Service</i> , <i>Elevated Temperature Fluid Service</i> , and <i>Normal Fluid Service</i> revised, and all definitions alphabetized (3) Definition of <i>orbital welding</i> revised (4) Under <i>pipe</i> , definition of <i>spiral welded pipe</i> revised (5) Definition of <i>room temperature</i> added
9	Table 300.4	Entry for Appendix N added
10	301.1	Subparagraph (a) revised
12	302.2.2	Revised
13, 14	302.3.2	In subparagraph (d), last paragraph revised
15–20	Table 302.3.3C	General Note revised
	302.3.4	Subparagraph (a) revised
	302.3.5	Subparagraphs (d) and (e) revised
	Table 302.3.4	(1) Entries in fourth column revised (2) Last row revised
	302.5	Paragraph 302.4.1 redesignated as 302.5 and revised
	303	Revised
	Table 302.3.5	(1) General Note (b) and Notes (1), (2), and (9) revised (2) General Note (e) added
22	304.3.2	Subparagraphs (a) and (b) revised
29	304.7.2	First paragraph revised

<i>Page</i>	<i>Location</i>	<i>Change</i>
30	305.2.4	Revised
34	311.2.3	Revised
37	319.2.3	Subparagraph (c) deleted
38, 39	319.3.6	Revised
	319.4.4	Revised
46	323.2	Revised
49	Fig. 323.2.2A	Note (3) revised
56	326.1.2	Cross-reference revised
57, 58	Table 326.1	(1) Under Metallic Fittings, Valves, and Flanges, ASME B16.50 and MSS SP-78 added (2) Under Miscellaneous, MSS SP-73 deleted
59	328	Revised
	328.1	Revised
	328.2	Revised in its entirety
65	330.1	Revised
	330.1.1	Revised
66	Table 330.1.1	Revised in its entirety
67	331.1.1	Subparagraph (e) revised
68, 69	Table 331.1.1	First column head and Note (1) revised
71	333	Revised in its entirety
73	340.4	Subparagraph (b) revised
74	341.3.4	Subparagraph (a) revised
	341.4.1	Subparagraph (b)(1) revised
77	Table 341.3.2	Note (3) revised
79	341.4.4	First paragraph and subparagraph (b)(1) revised
80	344.1.3	Footnote 2 revised
82	345.1	Subparagraphs (c)(1) and (c)(2) revised
84	345.5.1	Revised
	345.7.3	Revised
	345.8	Revised
	345.9.1	Subparagraph (a) revised
91	A314.2.1	Revised
97, 98	Table A326.1	(1) ASTM F2389 added in two places (2) ASTM D2104 deleted
99	A328.2.5	Subparagraphs (a)(1) and (a)(2) revised

<i>Page</i>	<i>Location</i>	<i>Change</i>
117	K302.3.2	Previous footnote 1 deleted and remaining footnotes renumbered
	K302.3.3	In subparagraph (c), cross-reference revised
	K302.3.4	Revised
118	K302.5	Paragraph K302.4.1 redesignated as K302.5 and revised
122	K305.1.1	Revised
	K306.1.1	Revised
126	K323.2	Revised
130	K326	Revised in its entirety
131	K328.2.1	Subparagraph (h) deleted
137	K344.6.2	Revised
139	K346.2	Subparagraphs (d) and (g) revised
142	U328	Revised
	U328.2.1	Subparagraph (h) added
	U341.4.1	Revised in its entirety
144	U344.8.1	First paragraph revised
	U344.8.2	Revised
148–150	Specification Index for Appendix A	ASTM A213, A1010, A1053, and B371 added
151, 152	Notes for Tables A-1, A-1A, A-1B, A-1M, A-2, and A-2M	(1) Title revised (2) General Notes (a) through (c) revised (3) Notes (5) and (35) revised
155	Table A-1	UNS Nos. added
156, 158	Table A-1	Seventh column heading revised and all S-Nos. replaced by P-Nos.
160	Table A-1	(1) Seventh column heading revised and all S-Nos. replaced by P-Nos. (2) Under Carbon Steel, Pipes (Structural Grade), in Material column, A570 replaced by A1011 in six rows
162, 163	Table A-1	(1) Under Plates, Bars, Shapes, and Sheets (Structural), in Spec. No. column, A570 replaced by A1011 in six rows (2) Under Castings, A352 Grade LCC added
164, 166, 168, 170	Table A-1	Under Low and Intermediate Alloy Steel, UNS Nos. added
172, 173	Table A-1	Under Stainless Steel, Pipes and Tubes, A213 Grades TP304L and TP316L added



<i>Page</i>	<i>Location</i>	<i>Change</i>
174, 175	Table A-1	A213 Grade TP316 added
176, 177	Table A-1	(1) A213 Grade TP304 added (2) A1053 Grade 50 added (3) A790 and A789 S32003 added (4) For A789 and A790 S32750, stress value in Min. Temp. to 100°F column revised (5) Under Plates and Sheets, A1010 Grades 40 and 50 added
178, 179	Table A-1	Two A240 S32003 rows added
182, 183	Table A-1	Under Bar, A479 Grades 321, 321H, 347, 347H, and XM-19 added
186, 187	Table A-1	Under new body heading Copper and Copper Alloy, Rod, three B371 C69300 rows added
188, 189	Table A-1	(1) Under Nickel and Nickel Alloy, Pipes and Tubes, for B407 N08811, stress values for 1,550°F through 1,650°F revised (2) B619, B622, and B626 N06030 added
190, 191	Table A-1	(1) For B619 N10276, stress values for 850°F through 1,250°F added (2) For B622 N10276, stress values for 850°F and higher changed to boldface or regular type (3) B626 N10276 added (4) B619, B622, and B626 N06230 added
192, 193	Table A-1	(1) Under Plates and Sheets, B582 N06030 added (2) For B575 N10276, stress values for 850°F and higher changed to boldface or regular type (3) B435 N06230 added
194, 195	Table A-1	(1) Under Forgings and Fittings, B366 and B462 N06030 added (2) For B366 and B564 N10276, stress values for 500°F and higher changed to boldface or regular type (3) B564 and B366 N06230 added
196, 197	Table A-1	(1) Under Rod and Bar, B408 N08810, N08811, and N08800 relocated from pages for Pipes and Tubes (2) B581 N06030 added (3) B574 N10276 added (4) B572 N06230 added

<i>Page</i>	<i>Location</i>	<i>Change</i>
198, 199	Table A-1	(1) Under Titanium and Titanium Alloy, Pipes and Tubes, for B861 and B862 R50250, Notes, Min. Yield Strength, and stress values revised (2) For B861 and B862 R50400, R52400, and R50550, Notes revised
200–205	Table A-1	(1) Sixth column heading revised and all S-Nos. replaced by P-Nos. (2) UNS Nos. added (3) Under Aluminum Alloy, stress values revised (4) Under Plates and Sheets, for last B209 A95456, Temper revised (5) Under Forgings and Fittings, for three B247 A95083 rows, Min. Tensile Strength revised
206–331	Table A-1M	Added
333	Table A-1B	(1) Under Carbon Steel, for API 5L, second row added (2) For fourth API 5L row, A134, and A139, Description revised (3) For first A381 row, Appendix A Notes revised
336–345	Table A-2	Revised in its entirety
346–361	Table A-2M	Added
363	Specification Index for Appendix B	(1) ASTM D2104 deleted (2) ASTM F2389 added
365, 366	Table B-1	(1) All six ASTM D2104 rows deleted (2) ASTM F2389 added
378	Table C-5	(1) For polyethylene, all previous entries deleted and PE2606 through PE4710 added (2) Polypropylene PP0210B44002 and PP0210G07G11030 added
380, 381	Table C-6	Under Copper and Copper Alloys, second Material entry revised
383	Table C-8	(1) Previous PE entries deleted (2) PE2606 through PE4710 added
387	Table D300	Note (2) revised

<i>Page</i>	<i>Location</i>	<i>Change</i>
388–392	Appendix E	<ul style="list-style-type: none"> <li>(1) ASTM A193, A194, A307, A320, A354, A370, A437, A453, A563, A675, A723, B21, B150, B160, B166, B187, B211, B366, B564, B574, B575, B619, B622, B626, B813, B828, E112, E114, E186, E272, E280, E310, and E446 updated</li> <li>(2) ASTM A213, A1010, A1011, A1053, B32, B371, B572, and F2389 added</li> <li>(3) ASTM A570 and D2104 deleted</li> <li>(4) ASME B16.50 and PCC-2 added</li> <li>(5) API 526, 594, 600, and 609 updated</li> <li>(6) API 570 added</li> <li>(7) All three ASNT standards updated</li> <li>(8) AWS A3.0, A5.11, and A5.22 updated</li> <li>(9) AWS A5.8, A5.31, and QC1 added</li> <li>(10) CDA Copper Tube Handbook deleted</li> <li>(11) CEN/TR 14549 added</li> <li>(12) CGA G-4.1 updated</li> <li>(13) ISO 15649 added</li> <li>(14) MSS SP-73 deleted</li> <li>(15) MSS SP-78 added</li> <li>(16) MSS SP-55 updated</li> <li>(17) PFI ES-48 added</li> <li>(18) In list of organizations, CDA deleted, and CEN and ISO added</li> </ul>
398	F345.5	Added
	FA323.4	Revised
	FU315	Added
400–408	Appendix H	Revised in its entirety
409–418	Appendix J	Revised
423	Notes for Appendix K Table	General Note (a), Note (7), and Note (12) revised
424, 426, 428, 430, 432, 434	Table K-1	Third column heading revised and all S-Nos. replaced by P-Nos.
440	Fig. M300	Columns 4 and 5 revised
441	Appendix N	Added
459	V304	Values of $W$ for girth weld corrected by errata to read 0.80 or 0.77 in six places and used to correct values for $S_{L1}/W$ , $S_{L2}/W$ , and $S_{L3}/W$ to read 3.75, 3.90, and 4.81 in equations for $S_1$ , $S_2$ , and $S_3$ , respectively

NOTES:

- (1) The interpretations to ASME B31.3 issued between April 23, 2010 and September 27, 2011 follow the last page of this edition as a separate supplement, Interpretations Volume 23.
- (2) After the interpretations, a separate supplement containing Cases 180, 181, and 185 follows.

INTENTIONALLY LEFT BLANK

# PROCESS PIPING

## Chapter I Scope and Definitions

### (12) 300 GENERAL STATEMENTS

(a) *Identification.* This Process Piping Code is a Section of the American Society of Mechanical Engineers Code for Pressure Piping, ASME B31, an American National Standard. It is published as a separate document for convenience of Code users.

(b) *Responsibilities*

(1) *Owner.* The owner of a piping installation shall have overall responsibility for compliance with this Code, and for establishing the requirements for design, construction, examination, inspection, and testing that will govern the entire fluid handling or process installation of which the piping is a part. The owner is also responsible for designating piping in Category D, Category M, High Pressure, and High Purity Fluid Services, and for determining if a specific Quality System is to be employed. [See paras. 300(d)(4) through (7) and Appendix Q.]

(2) *Designer.* The designer is responsible to the owner for assurance that the engineering design of piping complies with the requirements of this Code and with any additional requirements established by the owner.

(3) *Manufacturer, Fabricator, and Erector.* The manufacturer, fabricator, and erector of piping are responsible for providing materials, components, and workmanship in compliance with the requirements of this Code and of the engineering design.

(4) *Owner's Inspector.* The owner's Inspector (see para. 340) is responsible to the owner for ensuring that the requirements of this Code for inspection, examination, and testing are met. If a Quality System is specified by the owner to be employed, the owner's Inspector is responsible for verifying that it is implemented.

(c) *Intent of the Code*

(1) It is the intent of this Code to set forth engineering requirements deemed necessary for safe design and construction of piping installations.

(2) This Code is not intended to apply to the operation, examination, inspection, testing, maintenance, or repair of piping that has been placed in service. The provisions of this Code may optionally be applied for

those purposes, although other considerations may also be necessary.

(3) Engineering requirements of this Code, while considered necessary and adequate for safe design, generally employ a simplified approach to the subject. A designer capable of applying a more rigorous analysis shall have the latitude to do so; however, the approach must be documented in the engineering design and its validity accepted by the owner. The approach used shall provide details of design, construction, examination, inspection, and testing for the design conditions of para. 301, with calculations consistent with the design criteria of this Code.

(4) Piping elements should, insofar as practicable, conform to the specifications and standards listed in this Code. Piping elements neither specifically approved nor specifically prohibited by this Code may be used provided they are qualified for use as set forth in applicable Chapters of this Code.

(5) The engineering design shall specify any unusual requirements for a particular service. Where service requirements necessitate measures beyond those required by this Code, such measures shall be specified by the engineering design. Where so specified, the Code requires that they be accomplished.

(6) Compatibility of materials with the service and hazards from instability of contained fluids are not within the scope of this Code. See para. F323.

(d) *Determining Code Requirements*

(1) Code requirements for design and construction include fluid service requirements, which affect selection and application of materials, components, and joints. Fluid service requirements include prohibitions, limitations, and conditions, such as temperature limits or a requirement for safeguarding (see Appendix G). Code requirements for a piping system are the most restrictive of those that apply to any of its elements.

(2) For metallic piping not designated by the owner as Category M, High Pressure, or High Purity Fluid Service (see para. 300.2 and Appendix M), Code requirements are found in Chapters I through VI (the base Code) and fluid service requirements are found in

- (a) Chapter III for materials
- (b) Chapter II, Part 3, for components
- (c) Chapter II, Part 4, for joints

(3) For nonmetallic piping and piping lined with nonmetals, all requirements are found in Chapter VII. Paragraph designations begin with "A."

(4) For piping in a fluid service designated as Category M, all requirements are found in Chapter VIII. Paragraph designations begin with "M."

(5) For piping in a fluid service designated as Category D, piping elements restricted to Category D Fluid Service in Chapters I through VII, as well as elements suitable for other fluid services, may be used.

(6) For piping designated as High Pressure Fluid Service, all requirements are found in Chapter IX. These rules apply only when specified by the owner. Paragraph designations begin with "K."

(7) For piping designated as High Purity Fluid Service, all requirements are found in Chapter X. Paragraph designations begin with "U."

(8) Requirements for Normal Fluid Service in Chapters I through VI are applicable under severe cyclic conditions unless alternative requirements for severe cyclic conditions are stated.

(9) Requirements for Normal Fluid Service in Chapters I through VI are applicable for Elevated Temperature Fluid Service unless alternative requirements for Elevated Temperature Fluid Service are invoked.

(e) *Appendices.* Appendices of this Code contain Code requirements, supplementary guidance, or other information. See para. 300.4 for a description of the status of each Appendix.

(f) *Code Cases.* ASME issues Code Cases that are applicable to this Code. The Code Cases

(1) modify the requirements of this Code

(2) are applicable from the issue date until the Cases are annulled

(3) may be used only when approved by the owner. When so approved, the Code Cases shall be specified in the engineering design and become requirements of this Code.

### 300.1 Scope

Rules for the Process Piping Code Section B31.3<sup>1</sup> have been developed considering piping typically found in petroleum refineries; chemical, pharmaceutical, textile, paper, semiconductor, and cryogenic plants; and related processing plants and terminals.

<sup>1</sup> B31 references here and elsewhere in this Code are to the ASME B31 Code for Pressure Piping and its various Sections, which are identified and briefly described in the Introduction.

### 300.1.1 Content and Coverage

(a) This Code prescribes requirements for materials and components, design, fabrication, assembly, erection, examination, inspection, and testing of piping.

(b) This Code applies to piping for all fluids, including

- (1) raw, intermediate, and finished chemicals
- (2) petroleum products
- (3) gas, steam, air, and water
- (4) fluidized solids
- (5) refrigerants
- (6) cryogenic fluids

(c) See Fig. 300.1.1 for a diagram illustrating the application of B31.3 piping at equipment. The joint connecting piping to equipment is within the scope of B31.3.

**300.1.2 Packaged Equipment Piping.** Also included within the scope of this Code is piping which interconnects pieces or stages within a packaged equipment assembly.

**300.1.3 Exclusions.** This Code excludes the following:

(a) piping systems designed for internal gage pressures at or above zero but less than 105 kPa (15 psi), provided the fluid handled is nonflammable, nontoxic, and not damaging to human tissues as defined in 300.2, and its design temperature is from  $-29^{\circ}\text{C}$  ( $-20^{\circ}\text{F}$ ) through  $186^{\circ}\text{C}$  ( $366^{\circ}\text{F}$ )

(b) power boilers in accordance with BPV Code<sup>2</sup> Section I and boiler external piping which is required to conform to B31.1

(c) tubes, tube headers, crossovers, and manifolds of fired heaters, which are internal to the heater enclosure

(d) pressure vessels, heat exchangers, pumps, compressors, and other fluid handling or processing equipment, including internal piping and connections for external piping

### 300.2 Definitions

Some of the terms relating to piping are defined below. For welding, brazing, and soldering terms not shown here, definitions in accordance with AWS Standard A3.0<sup>3</sup> apply.

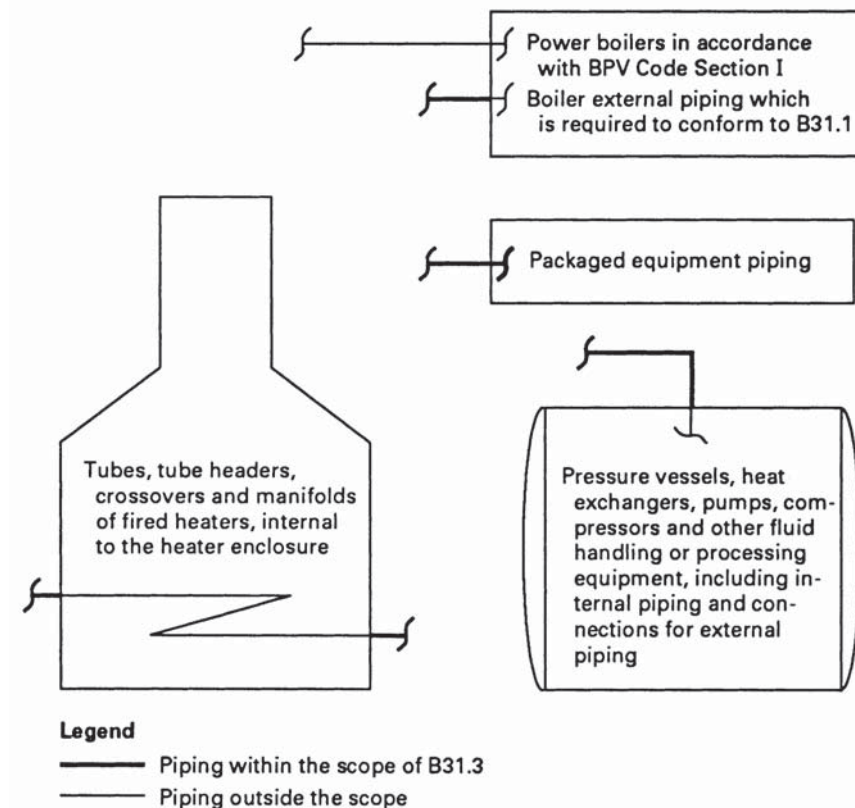
*air-hardened steel:* a steel that hardens during cooling in air from a temperature above its transformation range.

*anneal heat treatment:* see *heat treatment*.

<sup>2</sup> BPV Code references here and elsewhere in this Code are to the ASME Boiler and Pressure Vessel Code and its various Sections as follows:

- Section I, Power Boilers
- Section II, Materials, Part D
- Section V, Nondestructive Examination
- Section VIII, Pressure Vessels, Divisions 1 and 2
- Section IX, Welding and Brazing Qualifications

<sup>3</sup> AWS A3.0, Standard Welding Terms and Definitions, Including Terms for Adhesive Bonding, Brazing, Soldering, Thermal Coupling and Thermal Spraying

**Fig. 300.1.1 Diagram Illustrating Application of B31.3 Piping at Equipment**

GENERAL NOTE: The means by which piping is attached to equipment is within the scope of the applicable piping code.

*arc cutting*: a group of cutting processes wherein the severing or removing of metals is effected by melting with the heat of an arc between an electrode and the base metal. (Includes carbon-arc cutting, metal-arc cutting, gas metal-arc cutting, gas tungsten-arc cutting, plasma-arc cutting, and air carbon-arc cutting.) See also *oxygen-arc cutting*.

*arc welding (AW)*: a group of welding processes which produces coalescence of metals by heating them with an arc or arcs, with or without the application of pressure and with or without the use of filler metal.

*assembly*: the joining together of two or more piping components by bolting, welding, bonding, screwing, brazing, soldering, cementing, or use of packing devices as specified by the engineering design.

*autogenous weld*: a weld made by fusion of the base metal without the addition of filler metal [see also *gas tungsten-arc welding (GTAW)*].

*automatic welding*: welding with equipment which performs the welding operation without adjustment of the controls by an operator. The equipment may or may not perform the loading and unloading of the work.

*backing filler metal*: see *consumable insert*.

*backing ring*: material in the form of a ring used to support molten weld metal.

*balanced piping system*: see para. 319.2.2(a).

*base material*: the material to be brazed, soldered, welded, or otherwise fused.

*basic allowable stress*: see *stress terms frequently used*.

*bolt design stress*: see *stress terms frequently used*.

*bonded joint*: a permanent joint in nonmetallic piping made by one of the following methods:

(a) *adhesive joint*: a joint made by applying an adhesive to the surfaces to be joined and pressing them together

(b) *butt-and-wrapped joint*: a joint made by butting together the joining surfaces and wrapping the joint with plies of reinforcing fabric saturated with resin

(c) *heat fusion joint*: a joint made by heating the surfaces to be joined and pressing them together to achieve fusion

(d) *hot gas welded joint*: a joint made by simultaneously heating the surfaces to be joined and a filler material with a stream of hot air or hot inert gas, then pressing the surfaces together and applying the filler material to achieve fusion

(e) *solvent cemented joint*: a joint made by using a solvent cement to soften the surfaces to be joined and pressing them together

(f) *electrofusion joint*: a joint made by heating the surfaces to be joined using an electrical resistance wire coil, which remains embedded in the joint.

*bonder*: one who performs a manual or semiautomatic bonding operation.

*bonding operator*: one who operates machine or automatic bonding equipment.

*bonding procedure*: the detailed methods and practices involved in the production of a bonded joint.

*bonding procedure specification (BPS)*: the document which lists the parameters to be used in the construction of bonded joints in accordance with the requirements of this Code.

*borescopic examination*: a visual examination aided by a mechanical or electromechanical device to examine the inside diameter of inaccessible welds.

*branch connection fitting*: an integrally reinforced fitting welded to a run pipe and connected to a branch pipe by a butt welding, socket welding, threaded, or flanged joint; includes a branch outlet fitting conforming to MSS SP-97.

*brazing*: a metal joining process wherein coalescence is produced by use of a nonferrous filler metal having a melting point above 427°C (800°F), but lower than that of the base metals being joined. The filler metal is distributed between the closely fitted surfaces of the joint by capillary attraction.

*butt joint*: a joint between two members aligned approximately in the same plane.

*Category D*: see *fluid service*.

*Category M*: see *fluid service*.

*caulked joint*: a joint in which suitable material (or materials) is either poured or compressed by the use of tools into the annular space between a bell (or hub) and spigot (or plain end), thus comprising the joint seal.

*chemical plant*: an industrial plant for the manufacture or processing of chemicals, or of raw materials or intermediates for such chemicals. A chemical plant may include supporting and service facilities, such as storage, utility, and waste treatment units.

*cold spring*: see para. 319.2.4.

*compression type tube fittings*: tube fittings consisting of a flareless, mechanical grip connection, including a body, nut, and single or dual ferrules. See also para. U306.6.

*connections for external piping*: those integral parts of individual pieces of equipment which are designed for attachment of external piping.

*consumable insert*: preplaced filler metal which is completely fused into the root of the joint and becomes part of the weld.

*damaging to human tissues*: for the purposes of this Code, this phrase describes a fluid service in which exposure to the fluid, caused by leakage under expected operating conditions, can harm skin, eyes, or exposed mucous membranes so that irreversible damage may result unless prompt restorative measures are taken. (Restorative measures may include flushing with water, administration of antidotes, or medication.)

*design minimum temperature*: see para. 301.3.1.

*design pressure*: see para. 301.2.

*design temperature*: see para. 301.3.

*designer*: the person or organization in responsible charge of the engineering design.

*displacement stress range*: see para. 319.2.3.

*elements*: see *piping elements*.

*engineering design*: the detailed design governing a piping system, developed from process and mechanical requirements, conforming to Code requirements, and including all necessary specifications, drawings, and supporting documents.

*equipment connection*: see *connections for external piping*.

*erection*: the complete installation of a piping system in the locations and on the supports designated by the engineering design including any field assembly, fabrication, examination, inspection, and testing of the system as required by this Code.

*examination, examiner*: see paras. 341.1 and 341.2.

*examination, types of*: see para. 344.1.3 for the following:

- (a) 100% examination
- (b) random examination
- (c) spot examination
- (d) random spot examination

*extruded outlet header*: see para. 304.3.4.

*fabrication*: the preparation of piping for assembly, including cutting, threading, grooving, forming, bending, and joining of components into subassemblies. Fabrication may be performed in the shop or in the field.

*face of weld*: the exposed surface of a weld on the side from which the welding was done.

*face seal fitting*: a High Purity Fluid Service fitting that incorporates two machined faces and a metallic gasket within an external/internal nut configuration to attain a high leak integrity seal. See also para. U315.3(b).

*filler material*: the material to be added in making metallic or nonmetallic joints.

*fillet weld*: a weld of approximately triangular cross section joining two surfaces approximately at right angles to each other in a lap joint, tee joint, or corner joint. (See also *size of weld* and *throat of a fillet weld*.)



*flammable*: for the purposes of this Code, describes a fluid which under ambient or expected operating conditions is a vapor or produces vapors that can be ignited and continue to burn in air. The term thus may apply, depending on service conditions, to fluids defined for other purposes as flammable or combustible.

*fluid service*: a general term concerning the application of a piping system, considering the combination of fluid properties, operating conditions, and other factors that establish the basis for design of the piping system. See Appendix M.

(a) *Category D Fluid Service*: a fluid service in which all of the following apply:

(1) the fluid handled is nonflammable, nontoxic, and not damaging to human tissues as defined in para. 300.2

(2) the design gage pressure does not exceed 1 035 kPa (150 psi)

(3) the design temperature is not greater than 186°C (366°F)

(4) the fluid temperature caused by anything other than atmospheric conditions is not less than -29°C (-20°F)

(b) *Category M Fluid Service*: a fluid service in which the potential for personnel exposure is judged to be significant and in which a single exposure to a very small quantity of a toxic fluid, caused by leakage, can produce serious irreversible harm to persons on breathing or bodily contact, even when prompt restorative measures are taken.

(c) *Elevated Temperature Fluid Service*: a fluid service in which the piping metal temperature is sustained equal to or greater than  $T_{cr}$  as defined in Table 302.3.5, General Note (b).

(d) *High Pressure Fluid Service*: a fluid service for which the owner specifies the use of Chapter IX for piping design and construction; see also para. K300.

(e) *High Purity Fluid Service*: a fluid service that requires alternative methods of fabrication, inspection, examination, and testing not covered elsewhere in the Code, with the intent to produce a controlled level of cleanness. The term thus applies to piping systems defined for other purposes as high purity, ultra high purity, hygienic, or aseptic.

(f) *Normal Fluid Service*: a fluid service pertaining to most piping covered by this Code, i.e., not subject to the rules for Category D, Category M, Elevated Temperature, High Pressure, or High Purity Fluid Service.

*full fillet weld*: a fillet weld whose size is equal to the thickness of the thinner member joined.

*fusion*: the melting together of filler material and base material, or of base material only, that results in coalescence.

*gas metal-arc welding (GMAW)*: an arc-welding process that produces coalescence of metals by heating them with an arc between a continuous filler metal (consumable) electrode and the work. Shielding is obtained entirely from an externally supplied gas, or gas mixture. Some variations of this process are called MIG or CO<sub>2</sub> welding (nonpreferred terms).

*gas tungsten-arc welding (GTAW)*: an arc-welding process that produces coalescence of metals by heating them with an arc between a single tungsten (nonconsumable) electrode and the work. Shielding is obtained from a gas or gas mixture. Pressure may or may not be used and filler metal may or may not be used. (This process has sometimes been called TIG welding.)

*gas welding*: a group of welding processes wherein coalescence is produced by heating with a gas flame or flames, with or without the application of pressure, and with or without the use of filler material.

*groove weld*: a weld made in the groove between two members to be joined.

*heat affected zone*: that portion of the base material which has not been melted, but whose mechanical properties or microstructure have been altered by the heat of welding, brazing, soldering, forming, or cutting.

*heat treatment*: terms used to describe various types and processes of heat treatment (sometimes called postweld heat treatment) are defined as follows:

(a) *annealing*: heating to and holding at a suitable temperature and then cooling at a suitable rate for such purposes as: reducing hardness, improving machinability, facilitating cold working, producing a desired microstructure, or obtaining desired mechanical, physical, or other properties

(b) *normalizing*: a process in which a ferrous metal is heated to a suitable temperature above the transformation range and is subsequently cooled in still air at room temperature

(c) *preheating*: see *preheating* (separate term)

(d) *quenching*: rapid cooling of a heated metal

(e) *recommended or required heat treatment*: the application of heat to a metal section subsequent to a cutting, forming, or welding operation, as provided in para. 331

(f) *solution heat treatment*: heating an alloy to a suitable temperature, holding at that temperature long enough to allow one or more constituents to enter into solid solution, and then cooling rapidly enough to hold the constituents in solution

(g) *stress-relief*: uniform heating of a structure or portion thereof to a sufficient temperature to relieve the major portion of the residual stresses, followed by uniform cooling slowly enough to minimize development of new residual stresses

(h) *tempering*: reheating a hardened metal to a temperature below the transformation range to improve toughness

(i) *transformation range*: a temperature range in which a phase change is initiated and completed

(j) *transformation temperature*: a temperature at which a phase change occurs

*High Pressure Fluid Service*: see *fluid service*.

*High Purity Fluid Service*: see *fluid service*.

*hygienic clamp joint*: a tube outside-diameter union consisting of two neutered ferrules having flat faces with a concentric groove and mating gasket that is secured with a clamp, providing a nonprotruding, recessless product contact surface. See also para. U315.3(b).

*indication, linear*: in magnetic particle, liquid penetrant, or similar examination, a closed surface area marking or denoting a discontinuity requiring evaluation, whose longest dimension is at least three times the width of the indication.

*indication, rounded*: in magnetic particle, liquid penetrant, or similar examination, a closed surface area marking or denoting a discontinuity requiring evaluation, whose longest dimension is less than three times the width of the indication.

*in-process examination*: see para. 344.7.

*inspection, Inspector*: see para. 340.

*joint design*: the joint geometry together with the required dimensions of the welded joint.

*listed*: for the purposes of this Code, describes a material or component which conforms to a specification in Appendix A, Appendix B, or Appendix K or to a standard in Table 326.1, A326.1, or K326.1.

*manual welding*: a welding operation performed and controlled completely by hand.

*may*: a term which indicates that a provision is neither required nor prohibited.

*mechanical joint*: a joint for the purpose of mechanical strength or leak resistance, or both, in which the mechanical strength is developed by threaded, grooved, rolled, flared, or flanged pipe ends; or by bolts, pins, toggles, or rings; and the leak resistance is developed by threads and compounds, gaskets, rolled ends, caulking, or machined and mated surfaces.

*miter*: two or more straight sections of pipe matched and joined in a plane bisecting the angle of junction so as to produce a change in direction.

*nominal*: a numerical identification of dimension, capacity, rating, or other characteristic used as a designation, not as an exact measurement.

*Normal Fluid Service*: see *fluid service*.

*normalizing*: see *heat treatment*.

*notch-sensitive*: describes a metal subject to reduction in strength in the presence of stress concentration. The degree of notch sensitivity is usually expressed as the

strength determined in a notched specimen divided by the strength determined in an unnotched specimen, and can be obtained from either static or dynamic tests.

*NPS*: nominal pipe size (followed, when appropriate, by the specific size designation number without an inch symbol).

*orbital welding*: automatic or machine welding in which the electrode rotates (orbits) around the circumference of a stationary pipe or tube.

*oxygen-arc cutting (OAC)*: an oxygen-cutting process that uses an arc between the workpiece and a consumable electrode, through which oxygen is directed to the workpiece. For oxidation-resistant metals, a chemical flux or metal powder is used to facilitate the reaction.

*oxygen cutting (OC)*: a group of thermal cutting processes that severs or removes metal by means of the chemical reaction between oxygen and the base metal at elevated temperature. The necessary temperature is maintained by the heat from an arc, an oxyfuel gas flame, or other source.

*oxygen gouging*: thermal gouging that uses an oxygen cutting process variation to form a bevel or groove.

*packaged equipment*: an assembly of individual pieces or stages of equipment, complete with interconnecting piping and connections for external piping. The assembly may be mounted on a skid or other structure prior to delivery.

*petroleum refinery*: an industrial plant for processing or handling of petroleum and products derived directly from petroleum. Such a plant may be an individual gasoline recovery plant, a treating plant, a gas processing plant (including liquefaction), or an integrated refinery having various process units and attendant facilities.

*pipe*: a pressure-tight cylinder used to convey a fluid or to transmit a fluid pressure, ordinarily designated "pipe" in applicable material specifications. Materials designated "tube" or "tubing" in the specifications are treated as pipe when intended for pressure service. Types of pipe, according to the method of manufacture, are defined as follows:

(a) *electric resistance-welded pipe*: pipe produced in individual lengths or in continuous lengths from coiled skelp and subsequently cut into individual lengths, having a longitudinal butt joint wherein coalescence is produced by the heat obtained from resistance of the pipe to the flow of electric current in a circuit of which the pipe is a part, and by the application of pressure.

(b) *furnace butt welded pipe, continuous welded*: pipe produced in continuous lengths from coiled skelp and subsequently cut into individual lengths, having its longitudinal butt joint forge welded by the mechanical pressure developed in passing the hot-formed and edge-heated skelp through a set of round pass welding rolls.

(c) *electric-fusion welded pipe*: pipe having a longitudinal butt joint wherein coalescence is produced in the preformed tube by manual or automatic electric-arc welding. The weld may be single (welded from one side) or double (welded from inside and outside) and may be made with or without the addition of filler metal.

(d) *double submerged-arc welded pipe*: pipe having a longitudinal butt joint produced by at least two passes, one of which is on the inside of the pipe. Coalescence is produced by heating with an electric arc or arcs between the bare metal electrode or electrodes and the work. The welding is shielded by a blanket of granular fusible material on the work. Pressure is not used and filler metal for the inside and outside welds is obtained from the electrode or electrodes.

(e) *seamless pipe*: pipe produced by piercing a billet followed by rolling or drawing, or both.

(f) *spiral (helical seam) welded pipe*: pipe having a helical seam with either a butt, lap, or lock-seam joint which is welded using either an electrical resistance, electric fusion or double-submerged arc welding process.

*pipe-supporting elements*: pipe-supporting elements consist of fixtures and structural attachments as follows:

(a) *fixtures*: fixtures include elements which transfer the load from the pipe or structural attachment to the supporting structure or equipment. They include hanging type fixtures, such as hanger rods, spring hangers, sway braces, counterweights, turnbuckles, struts, chains, guides, and anchors; and bearing type fixtures, such as saddles, bases, rollers, brackets, and sliding supports.

(b) *structural attachments*: structural attachments include elements which are welded, bolted, or clamped to the pipe, such as clips, lugs, rings, clamps, clevises, straps, and skirts.

*pipng*: assemblies of piping components used to convey, distribute, mix, separate, discharge, meter, control, or snub fluid flows. Piping also includes pipe-supporting elements, but does not include support structures, such as building frames, bents, foundations, or any equipment excluded from this Code (see para. 300.1.3).

*piping components*: mechanical elements suitable for joining or assembly into pressure-tight fluid-containing piping systems. Components include pipe, tubing, fittings, flanges, gaskets, bolting, valves, and devices such as expansion joints, flexible joints, pressure hoses, traps, strainers, inline portions of instruments, and separators.

*piping elements*: any material or work required to plan and install a piping system. Elements of piping include design specifications, materials, components, supports, fabrication, examination, inspection, and testing.

*piping installation*: designed piping systems to which a selected Code edition and addenda apply.

*piping subassembly*: a portion of a piping system that consists of one or more piping components.

*piping system*: interconnected piping subject to the same set or sets of design conditions.

*plasma arc cutting (PAC)*: an arc cutting process that uses a constricted arc and removes molten metal with a high velocity jet of ionized gas issuing from the constricting orifice.

*postweld heat treatment*: see *heat treatment*.

*preheating*: the application of heat to the base material immediately before or during a forming, welding, or cutting process. See para. 330.

*procedure qualification record (PQR)*: a document listing all pertinent data, including the essential variables employed and the test results, used in qualifying the procedure specification.

*process unit*: an area whose boundaries are designated by the engineering design within which reactions, separations, and other processes are carried out. Examples of installations that are *not* classified as process units are loading areas or terminals, bulk plants, compounding plants, and tank farms and storage yards.

*quench annealing*: see *solution heat treatment* under *heat treatment*.

*quenching*: see *heat treatment*.

*reinforcement*: see paras. 304.3 and A304.3. See also *weld reinforcement*.

*room temperature*: temperature between 10°C and 38°C (50°F and 100°F).

*root opening*: the separation between the members to be joined, at the root of the joint.

*safeguarding*: provision of protective measures of the types outlined in Appendix G, where deemed necessary. See Appendix G for detailed discussion.

*seal bond*: a bond intended primarily to provide joint tightness against leakage in nonmetallic piping.

*seal weld*: a weld intended primarily to provide joint tightness against leakage in metallic piping.

*semiautomatic arc welding*: arc welding with equipment which controls only the filler metal feed. The advance of the welding is manually controlled.

*severe cyclic conditions*: conditions applying to specific piping components or joints in which  $S_E$  computed in accordance with para. 319.4.4 exceeds  $0.8S_A$  (as defined in para. 302.3.5), and the equivalent number of cycles ( $N$  in para. 302.3.5) exceeds 7000; or other conditions that the designer determines will produce an equivalent effect.

*shall*: a term which indicates that a provision is a Code requirement.

*shielded metal-arc welding (SMAW)*: an arc welding process that produces coalescence of metals by heating them with an arc between a covered metal electrode and the

work. Shielding is obtained from decomposition of the electrode covering. Pressure is not used and filler metal is obtained from the electrode.

*should*: a term which indicates that a provision is recommended as good practice but is not a Code requirement  
*size of weld*:

(a) *fillet weld*: the leg lengths (the leg length for equal-leg welds) of the sides, adjoining the members welded, of the largest triangle that can be inscribed within the weld cross section. For welds between perpendicular members, the definitions in Fig. 328.5.2A apply.

NOTE: When the angle between members exceeds 105 deg, size is of less significance than effective throat (see also *throat of a fillet weld*).

(b) *groove weld*: the joint penetration (depth of bevel plus the root penetration when specified). The size of a groove weld and its effective throat are the same.

*slag inclusion*: nonmetallic solid material entrapped in weld metal or between weld metal and base metal.

*soldering*: a metal joining process wherein coalescence is produced by heating to suitable temperatures and by using a nonferrous alloy fusible at temperatures below 427°C (800°F) and having a melting point below that of the base metals being joined. The filler metal is distributed between closely fitted surfaces of the joint by capillary attraction. In general, solders are lead-tin alloys and may contain antimony, bismuth, and other elements.

*solution heat treatment*: see *heat treatment*.

*stress ratio*: see Fig. 323.2.2B.

*stress relief*: see *heat treatment*.

*stress terms frequently used*:

(a) *basic allowable stress*: this term, symbol  $S$ , represents the stress value for any material determined by the appropriate stress basis in para. 302.3.2

(b) *bolt design stress*: this term represents the design stress used to determine the required cross-sectional area of bolts in a bolted joint

(c) *hydrostatic design basis*: selected properties of plastic piping materials to be used in accordance with ASTM D2837 or D2992 to determine the HDS [see (d) below] for the material

(d) *hydrostatic design stress (HDS)*: the maximum continuous stress due to internal pressure to be used in the design of plastic piping, determined from the hydrostatic design basis by use of a service (design) factor

*submerged arc welding (SAW)*: an arc welding process which produces coalescence of metals by heating them with an arc or arcs between a bare metal electrode or electrodes and the work. The arc is shielded by a blanket of granular, fusible material on the work. Pressure is not used and filler metal is obtained from the electrode and sometimes from a supplemental source (welding rod, flux, or metal granules).

*tack weld*: a weld made to hold parts of a weldment in proper alignment until the final welds are made.

*tempering*: see *heat treatment*.

*thermoplastic*: a plastic that is capable of being repeatedly softened by increase of temperature and hardened by decrease of temperature.

*thermosetting resin*: a resin capable of being changed into a substantially infusible or insoluble product when cured at room temperature, or by application of heat, or by chemical means.

*throat of a fillet weld*:

(a) *theoretical throat*: the perpendicular distance from the hypotenuse of the largest right triangle that can be inscribed in the weld cross section to the root of the joint

(b) *actual throat*: the shortest distance from the root of a fillet weld to its face

(c) *effective throat*: the minimum distance, minus any reinforcement (convexity), between the weld root and the face of a fillet weld

*toe of weld*: the junction between the face of a weld and the base material.

*tube*: see *pipe*.

*tungsten electrode*: a nonfiller-metal electrode used in arc welding or cutting, made principally of tungsten.

*unbalanced piping system*: see para. 319.2.2(b).

*undercut*: a groove melted into the base material adjacent to the toe or root of a weld and left unfilled by weld material.

*visual examination*: see para. 344.2.1.

*weld*: a localized coalescence of material wherein coalescence is produced either by heating to suitable temperatures, with or without the application of pressure, or by application of pressure alone, and with or without the use of filler material.

*weld coupon*: a sample weld that is taken to compare against primary welds.

*weld coupon examination*: see para. U344.8.1.

*weld reinforcement*: weld material in excess of the specified weld size.

*welder*: one who performs a manual or semi-automatic welding operation. (This term is sometimes erroneously used to denote a welding machine.)

*welding operator*: one who operates machine or automatic welding equipment.

*welding procedure*: the detailed methods and practices involved in the production of a weldment.

*welding procedure specification (WPS)*: the document that lists the parameters to be used in construction of weldments in accordance with requirements of this Code.

*weldment*: an assembly whose component parts are joined by welding.

**Table 300.4 Status of Appendices in B31.3**

(12)

Appendix	Title	Status
A	Allowable Stresses and Quality Factors for Metallic Piping and Bolting Materials	Requirements
B	Stress Tables and Allowable Pressure Tables for Nonmetals	Requirements
C	Physical Properties of Piping Materials	Requirements (1)
D	Flexibility and Stress Intensification Factors	Requirements (1)
E	Reference Standards	Requirements
F	Precautionary Considerations	Guidance (2)
G	Safeguarding	Guidance (2)
H	Sample Calculations for Branch Reinforcement	Guidance
J	Nomenclature	Information
K	Allowable Stresses for High Pressure Piping	Requirements (3)
L	Aluminum Alloy Pipe Flanges	Specification (4)
M	Guide to Classifying Fluid Services	Guidance (2)
N	Application of ASME B31.3 Internationally	Guidance (2)
P	Alternative Rules for Evaluating Stress Range	Requirements (5)
Q	Quality System Program	Guidance (2)
S	Piping System Stress Analysis Examples	Guidance (2)
V	Allowable Variations in Elevated Temperature Service	Guidance (2)
X	Metallic Bellows Expansion Joints	Requirements
Z	Preparation of Technical Inquiries	Requirements (6)

## NOTES:

- (1) Contains default requirements, to be used unless more directly applicable data are available.
- (2) Contains no requirements but Code user is responsible for considering applicable items.
- (3) Contains requirements applicable only when use of Chapter IX is specified.
- (4) Contains pressure-temperature ratings, materials, dimensions, and markings of forged aluminum alloy flanges.
- (5) Contains alternative requirements.
- (6) Contains administrative requirements.

**300.3 Nomenclature**

Dimensional and mathematical symbols used in this Code are listed in Appendix J, with definitions and location references to each. Uppercase and lowercase English letters are listed alphabetically, followed by Greek letters.

**300.4 Status of Appendices**

Table 300.4 indicates for each Appendix of this Code whether it contains Code requirements, guidance, or supplemental information. See the first page of each Appendix for details.

# Chapter II

## Design

### PART 1 CONDITIONS AND CRITERIA

#### 301 DESIGN CONDITIONS

Paragraph 301 states the qualifications of the Designer, defines the temperatures, pressures, and forces applicable to the design of piping, and states the consideration that shall be given to various effects and their consequent loadings. See also Appendix F, para. F301.

##### (12) 301.1 Qualifications of the Designer

The Designer is the person(s) in charge of the engineering design of a piping system and shall be experienced in the use of this Code. The qualifications and experience required of the Designer will depend on the complexity and criticality of the system and the nature of the individual's experience. The owner's approval is required if the individual does not meet at least one of the following criteria:

(a) Completion of a degree, accredited by an independent agency [such as ABET (U.S. and international), NBA (India), CTI (France), and CNAP (Chile)], in engineering, science, or technology, requiring the equivalent of at least 4 years of full-time study that provides exposure to fundamental subject matter relevant to the design of piping systems, plus a minimum of 5 years experience in the design of related pressure piping.

(b) Professional Engineering registration, recognized by the local jurisdiction, and experience in the design of related pressure piping.

(c) Completion of an accredited engineering technician or associates degree, requiring the equivalent of at least 2 years of study, plus a minimum of 10 years experience in the design of related pressure piping.

(d) Fifteen years experience in the design of related pressure piping.

Experience in the design of related pressure piping is satisfied by piping design experience that includes design calculations for pressure, sustained and occasional loads, and piping flexibility.

#### 301.2 Design Pressure

##### 301.2.1 General

(a) The design pressure of each component in a piping system shall be not less than the pressure at the most severe condition of coincident internal or external pressure and temperature (minimum or maximum) expected during service, except as provided in para. 302.2.4.

(b) The most severe condition is that which results in the greatest required component thickness and the highest component rating.

(c) When more than one set of pressure-temperature conditions exist for a piping system, the conditions governing the rating of components conforming to listed standards may differ from the conditions governing the rating of components designed in accordance with para. 304.

(d) When a pipe is separated into individualized pressure containing chambers (including jacketed piping, blanks, etc.), the partition wall shall be designed on the basis of the most severe coincident temperature (minimum or maximum) and differential pressure between the adjoining chambers expected during service, except as provided in para. 302.2.4.

##### 301.2.2 Required Pressure Containment or Relief

(a) Provision shall be made to safely contain or relieve (see para. 322.6.3) any expected pressure to which the piping may be subjected. Piping not protected by a pressure relieving device, or that can be isolated from a pressure relieving device, shall be designed for at least the highest pressure that can be developed.

(b) Sources of pressure to be considered include ambient influences, pressure oscillations and surges, improper operation, decomposition of unstable fluids, static head, and failure of control devices.

(c) The allowances of para. 302.2.4(f) are permitted, provided that the other requirements of para. 302.2.4 are also met.

#### 301.3 Design Temperature

The design temperature of each component in a piping system is the temperature at which, under the coincident pressure, the greatest thickness or highest component rating is required in accordance with para. 301.2. (To satisfy the requirements of para. 301.2, different components in the same piping system may have different design temperatures.)

In establishing design temperatures, consider at least the fluid temperatures, ambient temperatures, solar radiation, heating or cooling medium temperatures, and the applicable provisions of paras. 301.3.2, 301.3.3, and 301.3.4.

**301.3.1 Design Minimum Temperature.** The design minimum temperature is the lowest component temperature expected in service. This temperature may establish special design requirements and material

qualification requirements. See also paras. 301.4.4 and 323.2.2.

### 301.3.2 Uninsulated Components

(a) For fluid temperatures below 65°C (150°F), the component temperature shall be taken as the fluid temperature unless solar radiation or other effects result in a higher temperature.

(b) For fluid temperatures 65°C (150°F) and above, unless a lower average wall temperature is determined by test or heat transfer calculation, the temperature for uninsulated components shall be no less than the following values:

- (1) valves, pipe, lapped ends, welding fittings, and other components having wall thickness comparable to that of the pipe: 95% of the fluid temperature
- (2) flanges (except lap joint) including those on fittings and valves: 90% of the fluid temperature
- (3) lap joint flanges: 85% of the fluid temperature
- (4) bolting: 80% of the fluid temperature

**301.3.3 Externally Insulated Piping.** The component design temperature shall be the fluid temperature unless calculations, tests, or service experience based on measurements support the use of another temperature. Where piping is heated or cooled by tracing or jacketing, this effect shall be considered in establishing component design temperatures.

**301.3.4 Internally Insulated Piping.** The component design temperature shall be based on heat transfer calculations or tests.

## 301.4 Ambient Effects

See Appendix F, para. F301.4.

**301.4.1 Cooling: Effects on Pressure.** The cooling of a gas or vapor in a piping system may reduce the pressure sufficiently to create an internal vacuum. In such a case, the piping shall be capable of withstanding the external pressure at the lower temperature, or provision shall be made to break the vacuum.

**301.4.2 Fluid Expansion Effects.** Provision shall be made in the design either to withstand or to relieve increased pressure caused by the heating of static fluid in a piping component. See also para. 322.6.3(b)(2).

**301.4.3 Atmospheric Icing.** Where the design minimum temperature of a piping system is below 0°C (32°F), the possibility of moisture condensation and buildup of ice shall be considered and provisions made in the design to avoid resultant malfunctions. This applies to surfaces of moving parts of shutoff valves, control valves, pressure relief devices including discharge piping, and other components.

**301.4.4 Low Ambient Temperature.** Consideration shall be given to low ambient temperature conditions for displacement stress analysis.

## 301.5 Dynamic Effects

See Appendix F, para. F301.5.

**301.5.1 Impact.** Impact forces caused by external or internal conditions (including changes in flow rate, hydraulic shock, liquid or solid slugging, flashing, and geysering) shall be taken into account in the design of piping.

**301.5.2 Wind.** The effect of wind loading shall be taken into account in the design of exposed piping. The analysis considerations and loads may be as described in ASCE 7. Authoritative local meteorological data may also be used to define or refine the design wind loads.

**301.5.3 Earthquake.** The effect of earthquake loading shall be taken into account in the design of piping. The analysis considerations and loads may be as described in ASCE 7. Authoritative local seismological data may also be used to define or refine the design earthquake loads.

**301.5.4 Vibration.** Piping shall be designed, arranged, and supported so as to eliminate excessive and harmful effects of vibration which may arise from such sources as impact, pressure pulsation, turbulent flow vortices, resonance in compressors, and wind.

**301.5.5 Discharge Reactions.** Piping shall be designed, arranged, and supported so as to withstand reaction forces due to let-down or discharge of fluids.

## 301.6 Weight Effects

The following weight effects, combined with loads and forces from other causes, shall be taken into account in the design of piping.

**301.6.1 Live Loads.** These loads include the weight of the medium transported or the medium used for test. Snow and ice loads due to both environmental and operating conditions shall be considered.

**301.6.2 Dead Loads.** These loads consist of the weight of piping components, insulation, and other superimposed permanent loads supported by the piping.

## 301.7 Thermal Expansion and Contraction Effects

The following thermal effects, combined with loads and forces from other causes, shall be taken into account in the design of piping. See also Appendix F, para. F301.7.

**301.7.1 Thermal Loads Due to Restraints.** These loads consist of thrusts and moments which arise when free thermal expansion and contraction of the piping are prevented by restraints or anchors.

**301.7.2 Loads Due to Temperature Gradients.** These loads arise from stresses in pipe walls resulting from

large rapid temperature changes or from unequal temperature distribution as may result from a high heat flux through a comparatively thick pipe or stratified two-phase flow causing bowing of the line.

**301.7.3 Loads Due to Differences in Expansion Characteristics.** These loads result from differences in thermal expansion where materials with different thermal expansion coefficients are combined, as in bimetallic, lined, jacketed, or metallic–nonmetallic piping.

### 301.8 Effects of Support, Anchor, and Terminal Movements

The effects of movements of piping supports, anchors, and connected equipment shall be taken into account in the design of piping. These movements may result from the flexibility and/or thermal expansion of equipment, supports, or anchors; and from settlement, tidal movements, or wind sway.

### 301.9 Reduced Ductility Effects

The harmful effects of reduced ductility shall be taken into account in the design of piping. The effects may, for example, result from welding, heat treatment, forming, bending, or low operating temperatures, including the chilling effect of sudden loss of pressure on highly volatile fluids. Low ambient temperatures expected during operation shall be considered.

### 301.10 Cyclic Effects

Fatigue due to pressure cycling, thermal cycling, and other cyclic loadings shall be considered in the design of piping. See Appendix F, para. F301.10.

### 301.11 Air Condensation Effects

At operating temperatures below  $-191^{\circ}\text{C}$  ( $-312^{\circ}\text{F}$ ) in ambient air, condensation and oxygen enrichment occur. These shall be considered in selecting materials, including insulation, and adequate shielding and/or disposal shall be provided.

## 302 DESIGN CRITERIA

### 302.1 General

Paragraph 302 states pressure–temperature ratings, stress criteria, design allowances, and minimum design values together with permissible variations of these factors as applied to the design of piping.

### 302.2 Pressure–Temperature Design Criteria

**302.2.1 Listed Components Having Established Ratings** Except as limited elsewhere in the Code, pressure–temperature ratings contained in standards for piping components listed in Table 326.1 are acceptable for design pressures and temperatures in accordance with this Code. The provisions of this Code may be used

at the owner's responsibility to extend the pressure–temperature ratings of a component beyond the ratings of the listed standard.

### 302.2.2 Listed Components Not Having Specific Ratings. (12)

(a) Some of the standards for components in Table 326.1 (e.g., ASME B16.9 and B16.11) state that pressure–temperature ratings are based on straight seamless pipe. Except as limited in the standard or elsewhere in this Code, such a component, made of a material having the same allowable stress as the pipe, shall be rated using not more than 87.5% of the nominal thickness of seamless pipe corresponding to the schedule, weight, or pressure class of the fitting, less all allowances applied to the pipe (e.g., thread depth and/or corrosion allowance). For components with straight or spiral (helical seam) longitudinal welded joints in pressure containing components, the pressure rating as determined for seamless pipe in this paragraph shall be further multiplied by  $W$ , as defined in para. 302.3.5(e).

(b) Other listed components not addressed in para. 302.2.1 or 302.2.2(a) shall have their pressure–temperature ratings established in accordance with the rules in para. 304.

### 302.2.3 Unlisted Components

(a) Components not listed in Table 326.1, but which conform to a published specification or standard, may be used within the following limitations.

(1) The designer shall be satisfied that composition, mechanical properties, method of manufacture, and quality control are comparable to the corresponding characteristics of listed components.

(2) Pressure design shall be verified in accordance with para. 304.

(b) Other unlisted components shall be qualified for pressure design as required by para. 304.7.2.

**302.2.4 Allowances for Pressure and Temperature Variations.** Occasional variations of pressure and/or temperature may occur in a piping system. Such variations shall be considered in selecting design pressure (para. 301.2) and design temperature (para. 301.3). The most severe coincident pressure and temperature shall determine the design conditions unless all of the following criteria are met:

(a) The piping system shall have no pressure containing components of cast iron or other nonductile metal.

(b) Nominal pressure stresses shall not exceed the yield strength at temperature (see para. 302.3 of this Code and  $S_y$  data in BPV Code, Section II, Part D, Table Y-1).

(c) Combined longitudinal stresses shall not exceed the limits established in para. 302.3.6.



(d) The total number of pressure–temperature variations above the design conditions shall not exceed 1 000 during the life of the piping system.

(e) In no case shall the increased pressure exceed the test pressure used under para. 345 for the piping system.

(f) Occasional variations above design conditions shall remain within one of the following limits for pressure design.

(1) Subject to the owner’s approval, it is permissible to exceed the pressure rating or the allowable stress for pressure design at the temperature of the increased condition by not more than

(a) 33% for no more than 10 h at any one time and no more than 100 h/y, or

(b) 20% for no more than 50 h at any one time and no more than 500 h/y

The effects of such variations shall be determined by the designer to be safe over the service life of the piping system by methods acceptable to the owner. (See Appendix V.)

(2) When the variation is self-limiting (e.g., due to a pressure relieving event), and lasts no more than 50 h at any one time and not more than 500 h/y, it is permissible to exceed the pressure rating or the allowable stress for pressure design at the temperature of the increased condition by not more than 20%.

(g) The combined effects of the sustained and cyclic variations on the serviceability of all components in the system shall have been evaluated.

(h) Temperature variations below the minimum temperature shown in Appendix A are not permitted unless the requirements of para. 323.2.2 are met for the lowest temperature during the variation.

(i) The application of pressures exceeding pressure–temperature ratings of valves may under certain conditions cause loss of seat tightness or difficulty of operation. The differential pressure on the valve closure element should not exceed the maximum differential pressure rating established by the valve manufacturer. Such applications are the owner’s responsibility.

### 302.2.5 Ratings at Junction of Different Services.

When two services that operate at different pressure–temperature conditions are connected, the valve segregating the two services shall be rated for the more severe service condition. Where multiple valves are used (e.g., in a double block and bleed arrangement), all of the valves shall be rated for the more severe service condition. If the valve(s) will operate at a different temperature due to remoteness from a header or piece of equipment, the valve(s) (and any mating flanges) may be selected on the basis of the different temperature. For piping on either side of the valve, however, each system shall be designed for the conditions of the service to which it is connected.

## 302.3 Allowable Stresses and Other Stress Limits

**302.3.1 General.** The allowable stresses defined in paras. 302.3.1(a), (b), and (c) shall be used in design calculations unless modified by other provisions of this Code.

(a) *Tension.* Basic allowable stresses  $S$  in tension for metals and design stresses  $S$  for bolting materials, listed in Tables A-1 and A-2, respectively, are determined in accordance with para. 302.3.2.

In equations elsewhere in the Code where the product  $SE$  appears, the value  $S$  is multiplied by one of the following quality factors:<sup>1</sup>

(1) casting quality factor  $E_c$  as defined in para. 302.3.3 and tabulated for various material specifications in Table A-1A, and for various levels of supplementary examination in Table 302.3.3C, or

(2) longitudinal weld joint factor  $E_j$  as defined in 302.3.4 and tabulated for various material specifications and classes in Table A-1B, and for various types of joints and supplementary examinations in Table 302.3.4

The stress values in Tables A-1 and A-2 are grouped by materials and product forms, and are for stated temperatures up to the limit provided in para. 323.2.1(a). Straight line interpolation between temperatures is permissible. The temperature intended is the design temperature (see para. 301.3).

(b) *Shear and Bearing.* Allowable stresses in shear shall be 0.80 times the basic allowable stress in tension tabulated in Table A-1 or A-2. Allowable stress in bearing shall be 1.60 times that value.

(c) *Compression.* Allowable stresses in compression shall be no greater than the basic allowable stresses in tension as tabulated in Appendix A. Consideration shall be given to structural stability.

**302.3.2 Bases for Design Stresses.<sup>2</sup>** The bases for establishing design stress values for bolting materials and allowable stress values for other metallic materials in this Code are as follows: (12)

(a) *Bolting Materials.* Design stress values at temperature for bolting materials shall not exceed the lowest of the following:

(1) except as provided in (3) below, the lower of one-fourth of specified minimum tensile strength at

<sup>1</sup> If a component is made of castings joined by longitudinal welds, both a casting and a weld joint quality factor shall be applied. The equivalent quality factor  $E$  is the product of  $E_c$ , Table A-1A, and  $E_j$ , Table A-1B.

<sup>2</sup> These bases are the same as those for BPV Code, Section III, Class 1 materials, given in Section II, Part D. Stress values in B31.3, Appendix A, at temperatures below the creep range generally are the same as those listed in Section II, Part D, Tables 2A and 2B, and in Table 3 for bolting, corresponding to those bases. They have been adjusted as necessary to exclude casting quality factors and longitudinal weld joint quality factors. Stress values at temperatures in the creep range generally are the same as those in Section II, Part D, Tables 1A and 1B, corresponding to the bases for Section VIII, Division 1.

room temperature ( $S_T$ ) and one-fourth of tensile strength at temperature

(2) except as provided in (3) below, the lower of two-thirds of specified minimum yield strength at room temperature ( $S_Y$ ) and two-thirds of yield strength at temperature

(3) at temperatures below the creep range, for bolting materials whose strength has been enhanced by heat treatment or strain hardening, the least of one-fifth of  $S_T$ , one-fourth of the tensile strength at temperature, one-fourth of  $S_Y$ , and two-thirds of the yield strength at temperature (unless these values are lower than corresponding values for annealed material, in which case the annealed values shall be used)

(4) two-thirds of the yield strength at temperature [see para. 302.3.2(f)]

(5) 100% of the average stress for a creep rate of 0.01% per 1 000 h

(6) 67% of the average stress for rupture at the end of 100 000 h

(7) 80% of minimum stress for rupture at the end of 100 000 h

(b) *Cast Iron*. Basic allowable stress values at temperature for cast iron shall not exceed the lower of the following:

(1) one-tenth of the specified minimum tensile strength at room temperature

(2) one-tenth of the tensile strength at temperature [see para. 302.3.2(f)]

(c) *Malleable Iron*. Basic allowable stress values at temperature for malleable iron shall not exceed the lower of the following:

(1) one-fifth of the specified minimum tensile strength at room temperature

(2) one-fifth of the tensile strength at temperature [see para. 302.3.2(f)]

(d) *Other Materials*. Basic allowable stress values at temperature for materials other than bolting materials, cast iron, and malleable iron shall not exceed the lowest of the following:

(1) the lower of one-third of  $S_T$  and one-third of tensile strength at temperature

(2) except as provided in (3) below, the lower of two-thirds of  $S_Y$  and two-thirds of yield strength at temperature

(3) for austenitic stainless steels and nickel alloys having similar stress-strain behavior, the lower of two-thirds of  $S_Y$  and 90% of yield strength at temperature [see (e) below]

(4) 100% of the average stress for a creep rate of 0.01% per 1 000 h

(5) 67% of the average stress for rupture at the end of 100 000 h

(6) 80% of the minimum stress for rupture at the end of 100 000 h

(7) for structural grade materials, the basic allowable stress shall be 0.92 times the lowest value determined in paras. 302.3.2(d)(1) through (6)

In the application of these criteria, the yield strength at temperature is considered to be  $S_Y R_Y$ ; the tensile strength at temperature is considered to be  $1.1 S_T R_T$ .

(e) *Application Limits*. Application of stress values determined in accordance with para. 302.3.2(d)(3) is not recommended for flanged joints and other components in which slight deformation can cause leakage or malfunction. [These values are shown in italics or boldface in Table A-1, as explained in Note (4) to Appendix A Tables.] Instead, either 75% of the stress value in Table A-1 or two-thirds of the yield strength at temperature listed in the BPV Code, Section II, Part D, Table Y-1 should be used.

(f) *Unlisted Materials*. For a material which conforms to para. 323.1.2, the tensile (yield) strength at temperature shall be derived by multiplying the average expected tensile (yield) strength at temperature by the ratio of  $S_T$  ( $S_Y$ ) divided by the average expected tensile (yield) strength at room temperature.

### 302.3.3 Casting Quality Factor, $E_c$

(a) *General*. The casting quality factors,  $E_c$ , defined herein shall be used for cast components not having pressure-temperature ratings established by standards in Table 326.1.

(b) *Basic Quality Factors*. Castings of gray and malleable iron, conforming to listed specifications, are assigned a basic casting quality factor,  $E_c$ , of 1.00 (due to their conservative allowable stress basis). For most other metals, static castings which conform to the material specification and have been visually examined as required by MSS SP-55, Quality Standard for Steel Castings for Valves, Flanges and Fittings and Other Piping Components — Visual Method, are assigned a basic casting quality factor,  $E_c$ , of 0.80. Centrifugal castings that meet specification requirements only for chemical analysis, tensile, hydrostatic, and flattening tests, and visual examination are assigned a basic casting quality factor of 0.80. Basic casting quality factors are tabulated for listed specifications in Table A-1A.

(c) *Increased Quality Factors*. Casting quality factors may be increased when supplementary examinations are performed on each casting. Table 302.3.3C states the increased casting quality factors,  $E_c$ , that may be used for various combinations of supplementary examination. Table 302.3.3D states the acceptance criteria for the examination methods specified in the Notes to Table 302.3.3C. Quality factors higher than those shown in Table 302.3.3C do not result from combining tests (2)(a) and (2)(b), or (3)(a) and (3)(b). In no case shall the quality factor exceed 1.00.

Several of the specifications in Appendix A require machining of all surfaces and/or one or more of these

(12) **Table 302.3.3C Increased Casting Quality Factors,  $E_c$** 

Supplementary Examination in Accordance With Note(s)	Factor, $E_c$
(1)	0.85
(2)(a) or (2)(b)	0.85
(3)(a) or (3)(b)	0.95
(1) and (2)(a) or (2)(b)	0.90
(1) and (3)(a) or (3)(b)	1.00
(2)(a) or (2)(b) and (3)(a) or (3)(b)	1.00

GENERAL NOTE: Titles of standards referenced in this Table's Notes are as follows:

ASME B46.1	Surface Texture (Surface Roughness, Waviness and Lay)
ASTM E94	Guide for Radiographic Examination
ASTM E114	Practice for Ultrasonic Pulse-Echo Straight-Beam Contact Testing
ASTM E125	Reference Photographs for Magnetic Particle Indications on Ferrous Castings
ASTM E165	Practice for Liquid Penetrant Examination for General Industry
ASTM E709	Guide for Magnetic Particle Testing
MSS SP-53	Quality Standard for Steel Castings and Forgings for Valves, Flanges and Fittings and Other Piping Components — Magnetic Particle Examination Method

NOTES:

- (1) Machine all surfaces to a finish of  $6.3 \mu\text{m } R_a$  ( $250 \mu\text{in. } R_a$  in accordance with ASME B46.1), thus increasing the effectiveness of surface examination.
- (2) (a) Examine all surfaces of each casting (magnetic material only) by the magnetic particle method in accordance with ASTM E709. Judge acceptability in accordance with MSS SP-53, using reference photos in ASTM E125.  
(b) Examine all surfaces of each casting by the liquid penetrant method, in accordance with ASTM E165. Judge acceptability of flaws and weld repairs in accordance with Table 1 of MSS SP-53, using ASTM E125 as a reference for surface flaws.
- (3) (a) Fully examine each casting ultrasonically in accordance with ASTM E114, accepting a casting only if there is no evidence of depth of defects in excess of 5% of wall thickness.  
(b) Fully radiograph each casting in accordance with ASTM E94. Judge in accordance with the stated acceptance levels in Table 302.3.3D.

supplementary examinations. In such cases, the appropriate increased quality factor is shown in Table A-1A.

### (12) 302.3.4 Weld Joint Quality Factor, $E_j$

(a) *Basic Quality Factors.* The weld joint quality factors,  $E_j$ , tabulated in Table A-1B are basic factors for straight or spiral (helical seam) welded joints for pressure-containing components as shown in Table 302.3.4.

(b) *Increased Quality Factors.* Table 302.3.4 also indicates higher joint quality factors which may be substituted for those in Table A-1B for certain kinds of welds if additional examination is performed beyond that required by the product specification.

**Table 302.3.3D Acceptance Levels for Castings**

Material Examined Thickness, $T$	Applicable Standard	Acceptance Level (or Class)	Acceptable Discontinuities
Steel $T \leq 25 \text{ mm}$ (1 in.)	ASTM E446	1	Types A, B, C
Steel $T > 25 \text{ mm}$ , $\leq 51 \text{ mm}$ (2 in.)	ASTM E446	2	Types A, B, C
Steel $T > 51 \text{ mm}$ , $\leq 114 \text{ mm}$ (4½ in.)	ASTM E186	2	Categories A, B, C
Steel $T > 114 \text{ mm}$ , $\leq 305 \text{ mm}$ (12 in.)	ASTM E280	2	Categories A, B, C
Aluminum & magnesium	ASTM E155	...	Shown in reference radiographs
Copper, Ni-Cu	ASTM E272	2	Codes A, Ba, Bb
Bronze	ASTM E310	2	Codes A and B

GENERAL NOTE: Titles of ASTM standards referenced in this Table are as follows:

E155	Reference Radiographs for Inspection of Aluminum and Magnesium Castings
E186	Reference Radiographs for Heavy-Walled (2 to 4½-in. [51 to 114-mm]) Steel Castings
E272	Reference Radiographs for High-Strength Copper-Base and Nickel-Copper Castings
E280	Reference Radiographs for Heavy-Walled (4½ to 12-in. [114 to 305-mm]) Steel Castings
E310	Reference Radiographs for Tin Bronze Castings
E446	Reference Radiographs for Steel Castings Up to 2 in. (51 mm) in Thickness

### 302.3.5 Limits of Calculated Stresses Due to Sustained Loads and Displacement Strains (12)






(a) *Internal Pressure Stresses.* Stresses due to internal pressure shall be considered safe when the wall thickness of the piping component, including any reinforcement, meets the requirements of para. 304.

(b) *External Pressure Stresses.* Stresses due to external pressure shall be considered safe when the wall thickness of the piping component, and its means of stiffening, meet the requirements of para. 304.

(c) *Stresses Due to Sustained Loads,  $S_L$ .* The sum of the longitudinal stresses due to sustained loads,  $S_L$ , such as pressure and weight in any component in a piping system (see para. 320), shall not exceed  $S_h$ , where  $S_h$  is taken from Table A-1 at the metal temperature of the operating condition being considered.

(d) *Allowable Displacement Stress Range,  $S_A$ .* The computed displacement stress range,  $S_E$ , in a piping system

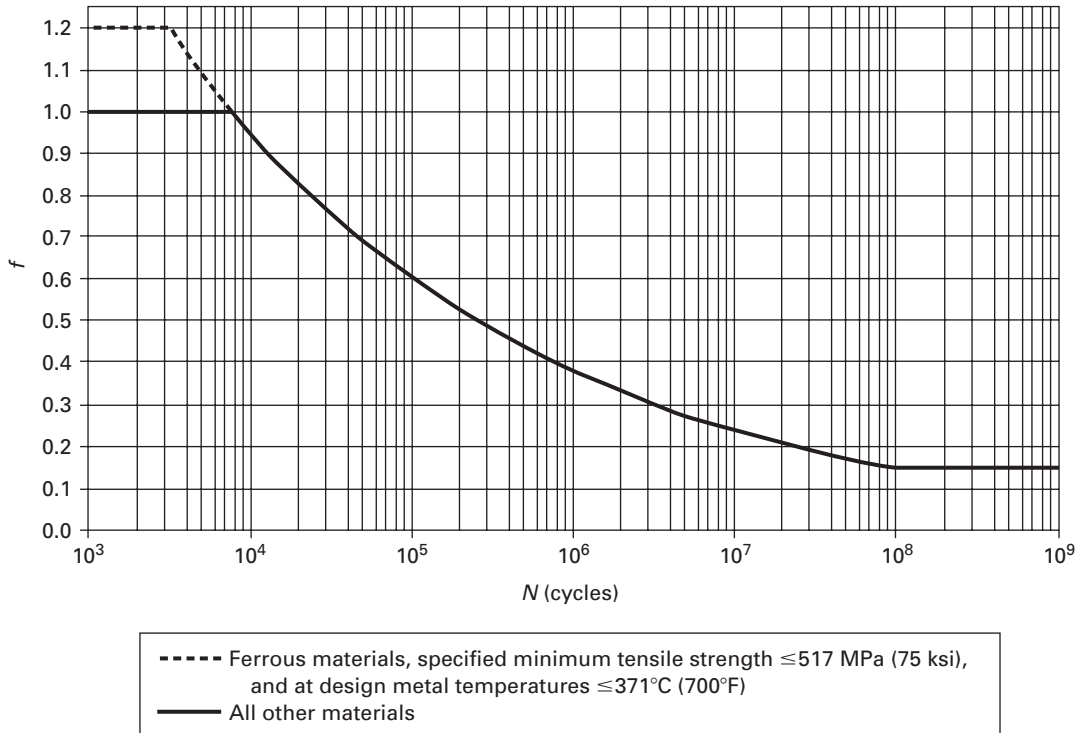
(12) **Table 302.3.4 Longitudinal Weld Joint Quality Factor,  $E_j$** 

No.	Type of Joint	Type of Seam	Examination	Factor, $E_j$	
1	Furnace butt weld, continuous weld 	Straight	As required by listed specification	0.60 [Note (1)]	
2	Electric resistance weld 	Straight or spiral (helical seam)	As required by listed specification	0.85 [Note (1)]	
3	Electric fusion weld				
	(a) Single butt weld  (with or without filler metal) 	Straight or spiral (helical seam)	As required by listed specification or this Code	0.80	
			Additionally spot radiographed in accordance with para. 341.5.1	0.90	
			Additionally 100% radiographed in accordance with para. 344.5.1 and Table 341.3.2	1.00	
	(b) Double butt weld  (with or without filler metal) 	Straight or spiral (helical seam) [except as provided in 4 below]	As required by listed specification or this Code	0.85	
			Additionally spot radiographed in accordance with para. 341.5.1	0.90	
			Additionally 100% radiographed in accordance with para. 344.5.1 and Table 341.3.2	1.00	
4	Specific specification				
	API 5L	Submerged arc weld (SAW) Gas metal arc weld (GMAW) Combined GMAW, SAW 	Straight with one or two seams	As required by specification	0.95
			Spiral (helical seam)	Additionally 100% radiographed in accordance with para. 344.5.1 and Table 341.3.2	1.00

## NOTE:

(1) It is not permitted to increase the joint quality factor by additional examination for joint 1 or 2.

Fig. 302.3.5 Stress Range Factor,  $f$



(see para. 319.4.4) shall not exceed the allowable displacement stress range,  $S_A$  (see paras. 319.2.3 and 319.3.4), calculated by eq. (1a):

$$S_A = f(1.25S_c + 0.25S_h) \quad (1a)$$

When  $S_h$  is greater than  $S_L$ , the difference between them may be added to the term  $0.25S_h$  in eq. (1a). In that case, the allowable stress range is calculated by eq. (1b):

$$S_A = f[1.25(S_c + S_h) - S_L] \quad (1b)$$

For eqs. (1a) and (1b):

$f$  = stress range factor,<sup>3</sup> calculated by eq. (1c)<sup>4</sup>.

$$f \text{ (see Fig. 302.3.5)} = 6.0(N)^{-0.2} \leq f_m \quad (1c)$$

$f_m$  = maximum value of stress range factor; 1.2 for ferrous materials with specified minimum tensile strengths  $\leq 517$  MPa (75 ksi) and at metal temperatures  $\leq 371^\circ\text{C}$  ( $700^\circ\text{F}$ ); otherwise  $f_m = 1.0$

<sup>3</sup> Applies to essentially noncorroded piping. Corrosion can sharply decrease cyclic life; therefore, corrosion resistant materials should be considered where a large number of major stress cycles is anticipated.

<sup>4</sup> The minimum value for  $f$  is 0.15, which results in an allowable displacement stress range,  $S_A$ , for an indefinitely large number of cycles.

$N$  = equivalent number of full displacement cycles during the expected service life of the piping system<sup>5</sup>

$S_c$  = basic allowable stress<sup>6</sup> at minimum metal temperature expected during the displacement cycle under analysis  
= 138 MPa (20 ksi) maximum

$S_h$  = basic allowable stress<sup>6</sup> at maximum metal temperature expected during the displacement cycle under analysis  
= 138 MPa (20 ksi) maximum

When the computed stress range varies, whether from thermal expansion or other conditions,  $S_E$  is defined as the greatest computed displacement stress range. The value of  $N$  in such cases can be calculated by eq. (1d):

$$N = N_E + \sum(r_i^5 N_i) \text{ for } i = 1, 2, \dots, n \quad (1d)$$

where

$N_E$  = number of cycles of maximum computed displacement stress range,  $S_E$

$N_i$  = number of cycles associated with displacement stress range,  $S_i$

<sup>5</sup> The designer is cautioned that the fatigue life of materials operated at elevated temperature may be reduced.

<sup>6</sup> For castings, the basic allowable stress shall be multiplied by the applicable casting quality factor,  $E_c$ . For longitudinal welds, the basic allowable stress need not be multiplied by the weld quality factor,  $E_j$ .

$$r_i = S_i/S_E$$

$S_i$  = any computed displacement stress range smaller than  $S_E$

(e) *Weld Joint Strength Reduction Factor, W.* At elevated temperatures, the long-term strength of weld joints may be lower than the long-term strength of the base material. For longitudinal or spiral (helical seam) welded piping components, the product of the allowable stress and the applicable weld quality factor,  $SE$ , shall be multiplied by the weld joint strength reduction factor,  $W$ , when determining the required wall thickness for internal pressure in accordance with para. 304. The designer is responsible for the application of weld joint strength reduction factors to welds other than longitudinal and spiral (helical seam) (e.g., circumferential). The weld joint strength reduction factor,  $W$ , is equal to 1.0 when evaluating occasional loads such as wind and earthquake, or when evaluating permissible variations in accordance with para. 302.2.4. The pressure rating or allowable stress for the occasional load or variation condition is not required to be reduced by the weld joint strength reduction factor. It is also not required when calculating the allowable stress range for displacement stresses,  $S_A$ , in para. 302.3.5(d). The weld joint strength reduction factor only applies at weld locations. The weld joint strength reduction factor is the ratio of the nominal stress to cause failure of the weld joint to that of the base material for the same duration. Except as provided in (f) below, the weld joint strength reduction factor,  $W$ , shall be in accordance with Table 302.3.5.

(f) *Unlisted Weld Strength Reduction Factors.* A weld strength reduction factor other than that listed in Table 302.3.5 may be used in accordance with one of the following criteria:

(1) Creep test data may be used to determine the weld joint strength reduction factor,  $W$ . However, the use of creep test data to increase the factor  $W$  above that shown in Table 302.3.5 is not permitted for the CrMo and Creep Strength Enhanced Ferritic (CSEF) steels materials, as defined in Table 302.3.5. Creep testing of weld joints to determine weld joint strength reduction factors, when permitted, should be full thickness cross-weld specimens with test durations of at least 1 000 h. Full thickness tests shall be used unless the designer otherwise considers effects such as stress redistribution across the weld.

(2) With the owner's approval, extensive successful experience may be used to justify the factor  $W$  above that shown in Table 302.3.5. Successful experience must include same or like material, weld metal composition, and welding process under equivalent, or more severe, sustained operating conditions.

### 302.3.6 Limits of Calculated Stresses Due to Occasional Loads

(a) *Operation.* The sum of the longitudinal stresses,  $S_L$ , due to sustained loads, such as pressure and weight,

and of the stresses produced by occasional loads, such as wind or earthquake, may be as much as 1.33 times the basic allowable stress given in Appendix A. Wind and earthquake forces need not be considered as acting concurrently.

For Elevated Temperature Fluid Service (see definition in para. 300.2), as an alternative to the use of 1.33 times the basic allowable stress provided in Table A-1, the allowable stress for occasional loads of short duration, such as surge, extreme wind, or earthquake, may be taken as the strength reduction factor times 90% of the yield strength at temperature for materials other than those with nonductile behavior. This yield strength shall be as listed in the BPV Code, Section II, Part D, Table Y-1, or determined in accordance with para. 302.3.2(f). The strength reduction factor represents the reduction in yield strength with long-term exposure of the material to elevated temperatures and, in the absence of more applicable data, shall be taken as 1.0 for austenitic stainless steel and 0.8 for other materials.

For castings, the basic allowable stress shall be multiplied by the casting quality factor,  $E_c$ . Where the allowable stress value exceeds two-thirds of yield strength at temperature, the allowable stress value must be reduced as specified in para. 302.3.2(e).

(b) *Test.* Stresses due to test conditions are not subject to the limitations in para. 302.3. It is not necessary to consider other occasional loads, such as wind and earthquake, as occurring concurrently with test loads.

### 302.4 Allowances

In determining the minimum required thickness of a piping component, allowances shall be included for corrosion, erosion, and thread depth or groove depth. See definition for  $c$  in para. 304.1.1(b).

### 302.5 Mechanical Strength

(12)

(a) Designs shall be checked for adequacy of mechanical strength under applicable loadings. When necessary, the wall thickness shall be increased to prevent overstress, damage, collapse, or buckling due to superimposed loads from supports, ice formation, backfill, transportation, handling, or other loads enumerated in para. 301.

(b) Where increasing the thickness would excessively increase local stresses or the risk of brittle fracture, or is otherwise impracticable, the impact of applied loads may be mitigated through additional supports, braces, or other means without requiring an increased wall thickness. Particular consideration should be given to the mechanical strength of small pipe connections to piping or equipment.

## PART 2

### PRESSURE DESIGN OF PIPING COMPONENTS 303 GENERAL

(12)

Components manufactured in accordance with standards listed in Table 326.1 shall be considered suitable

**Table 302.3.5 Weld Joint Strength Reduction Factor,  $W$** 

Steel Group	Component Temperature, $T_i$ , °C (°F)														
	427 (800)	454 (850)	482 (900)	510 (950)	538 (1,000)	566 (1,050)	593 (1,100)	621 (1,150)	649 (1,200)	677 (1,250)	704 (1,300)	732 (1,350)	760 (1,400)	788 (1,450)	816 (1,500)
CrMo [Notes (1)–(3)]	1	0.95	0.91	0.86	0.82	0.77	0.73	0.68	0.64	...	...	...	...	...	...
CSEF (N + T) [Notes (3)–(5)]	...	...	...	1	0.95	0.91	0.86	0.82	0.77	...	...	...	...	...	...
CSEF [Notes (3) and (4)] (Subcritical PWHT)	...	...	1	0.5	0.5	0.5	0.5	0.5	0.5	...	...	...	...	...	...
Autogenous welds in aus- tenitic stainless grade 3xx, and N088xx and N066xx nickel alloys [Note (6)]	...	...	...	1	1	1	1	1	1	1	1	1	1	1	1
Austenitic stainless grade 3xx and N088xx nickel alloys [Notes (7) and (8)]	...	...	...	1	0.95	0.91	0.86	0.82	0.77	0.73	0.68	0.64	0.59	0.55	0.5
Other materials [Note (9)]	...	...	...	...	...	...	...	...	...	...	...	...	...	...	...

## GENERAL NOTES:

- Weld joint strength reduction factors at temperatures above the upper temperature limit listed in Appendix A for the base metal or outside of the applicable range in Table 302.3.5 are the responsibility of the designer. At temperatures below those where weld joint strength reduction factors are tabulated, a value of 1.0 shall be used for the factor  $W$  where required; however, the additional rules of this Table and Notes do not apply.
- $T_{cr}$  = temperature 25°C (50°F) below the temperature identifying the start of time-dependent properties listed under "NOTES – TIME-DEPENDENT PROPERTIES" (Txx) in the Notes to Tables 1A and 1B of the BPV Code Section II, Part D for the base metals joined by welding. For materials not listed in the BPV Code Section II, Part D,  $T_{cr}$  shall be the temperature where the creep rate or stress rupture criteria in paras. 302.3.2(d)(4), (5), and (6) governs the basic allowable stress value of the metals joined by welding. When the base metals differ, the lower value of  $T_{cr}$  shall be used for the weld joint.
- $T_i$  = temperature, °C (°F), of the component for the coincident operating pressure–temperature condition,  $i$ , under consideration.
- CAUTIONARY NOTE: There are many factors that may affect the life of a welded joint at elevated temperature and all of those factors cannot be addressed in a table of weld strength reduction factors. For example, fabrication issues such as the deviation from a true circular form in pipe (e.g., "peaking" at longitudinal weld seams) or offset at the weld joint can cause an increase in stress that may result in reduced service life and control of these deviations is recommended.
- The weld joint strength reduction factor,  $W$ , may be determined using linear interpolation for intermediate temperature values.

## NOTES:

- The Cr–Mo Steels include:  $\frac{1}{2}$ Cr– $\frac{1}{2}$ Mo, 1Cr– $\frac{1}{2}$ Mo,  $1\frac{1}{4}$ Cr– $\frac{1}{2}$ Mo–Si,  $2\frac{1}{4}$ Cr–1Mo, 3Cr–1Mo, 5Cr– $\frac{1}{2}$ Mo, 9Cr–1Mo. Longitudinal and spiral (helical seam) welds shall be normalized, normalized and tempered, or subjected to proper subcritical postweld heat treatment (PWHT) for the alloy. Required examination is in accordance with para. 341.4.4 or 305.2.4.
- Longitudinal and spiral (helical seam) seam fusion welded construction is not permitted for C– $\frac{1}{2}$ Mo steel above 850°F.
- The required carbon content of the weld filler metal shall be  $\geq 0.05$  C wt. %. See para. 341.4.4(b) for examination requirements. Basicity index of SAW flux  $\geq 1.0$ .
- The CSEF (Creep Strength Enhanced Ferritic) steels include grades 91, 92, 911, 122, and 23.
- N + T = Normalizing + Tempering PWHT.
- Autogenous welds without filler metal in austenitic stainless steel (grade 3xx) and austenitic nickel alloys UNS Nos. N066xx and N088xx. A solution anneal after welding is required for use of the factors in the Table. See para. 341.4.3(b) for examination requirements.
- Alternatively, the 100,000 hr Stress Rupture Factors listed in ASME Section III, Division 1, Subsection NH, Tables I-14.10 A-xx, B-xx, and C-xx may be used as the weld joint strength reduction factor for the materials and welding consumables specified.
- Certain heats of the austenitic stainless steels, particularly for those grades whose creep strength is enhanced by the precipitation of temper-resistant carbides and carbonitrides, can suffer from an embrittlement condition in the weld heat affected zone that can lead to premature failure of welded components operating at elevated temperatures. A solution annealing heat treatment of the weld area mitigates this susceptibility.
- For carbon steel,  $W = 1.0$  for all temperatures. For materials other than carbon steel, CrMo, CSEF, and the austenitic alloys listed in Table 302.3.5,  $W$  shall be as follows: For  $T_i \leq T_{cr}$ ,  $W = 1.0$ . For  $T_{cr} < T_i \leq 1,500^\circ\text{F}$ ,  $W = 1 - 0.000909(T_i - T_{cr})$ . If  $T_i$  exceeds the upper temperature for which an allowable stress value is listed in Appendix A for the base metal, the value for  $W$  is the responsibility of the designer.

for use at pressure–temperature ratings in accordance with para. 302.2.1 or para. 302.2.2, as applicable. The rules in para. 304 are intended for pressure design of components not covered in Table 326.1, but may be used for a special or more-rigorous design of such components, or to satisfy requirements of para. 302.2.2. Designs shall be checked for adequacy of mechanical strength as described in para. 302.5.

## 304 PRESSURE DESIGN OF COMPONENTS

### 304.1 Straight Pipe

#### 304.1.1 General

(a) The required thickness of straight sections of pipe shall be determined in accordance with eq. (2):

$$t_m = t + c \quad (2)$$

The minimum thickness,  $T$ , for the pipe selected, considering manufacturer's minus tolerance, shall be not less than  $t_m$ .

(b) The following nomenclature is used in the equations for pressure design of straight pipe:

$c$  = sum of the mechanical allowances (thread or groove depth) plus corrosion and erosion allowances. For threaded components, the nominal thread depth (dimension  $h$  of ASME B1.20.1, or equivalent) shall apply. For machined surfaces or grooves where the tolerance is not specified, the tolerance shall be assumed to be 0.5 mm (0.02 in.) in addition to the specified depth of the cut.

$D$  = outside diameter of pipe as listed in tables of standards or specifications or as measured

$d$  = inside diameter of pipe. For pressure design calculation, the inside diameter of the pipe is the maximum value allowable under the purchase specification.

$E$  = quality factor from Table A-1A or A-1B

$P$  = internal design gage pressure

$S$  = stress value for material from Table A-1

$T$  = pipe wall thickness (measured or minimum in accordance with the purchase specification)

$t$  = pressure design thickness, as calculated in accordance with para. 304.1.2 for internal pressure or as determined in accordance with para. 304.1.3 for external pressure

$t_m$  = minimum required thickness, including mechanical, corrosion, and erosion allowances

$W$  = weld joint strength reduction factor in accordance with para. 302.3.5(e)

$Y$  = coefficient from Table 304.1.1, valid for  $t < D/6$  and for materials shown. The value of  $Y$  may be interpolated for intermediate temperatures. For  $t \geq D/6$ ,

**Table 304.1.1 Values of Coefficient  $Y$  for  $t < D/6$**

Materials	Temperature, °C (°F)					
	≤ 482 (900 & Lower)	510 (950)	538 (1,000)	566 (1,050)	593 (1,100)	≥ 621 (1,150 & Up)
Ferritic steels	0.4	0.5	0.7	0.7	0.7	0.7
Austenitic steels	0.4	0.4	0.4	0.4	0.5	0.7
Other ductile metals	0.4	0.4	0.4	0.4	0.4	0.4
Cast iron	0.0	...	...	...	...	...

$$Y = \frac{d + 2c}{D + d + 2c}$$

#### 304.1.2 Straight Pipe Under Internal Pressure

(a) For  $t < D/6$ , the internal pressure design thickness for straight pipe shall be not less than that calculated in accordance with either eq. (3a) or eq. (3b):

$$t = \frac{PD}{2(SEW + PY)} \quad (3a)$$

$$t = \frac{P(d + 2c)}{2[SEW - P(1 - Y)]} \quad (3b)$$

(b) For  $t \geq D/6$  or for  $P/SE > 0.385$ , calculation of pressure design thickness for straight pipe requires special consideration of factors such as theory of failure, effects of fatigue, and thermal stress.

**304.1.3 Straight Pipe Under External Pressure.** To determine wall thickness and stiffening requirements for straight pipe under external pressure, the procedure outlined in the BPV Code, Section VIII, Division 1, UG-28 through UG-30 shall be followed, using as the design length,  $L$ , the running centerline length between any two sections stiffened in accordance with UG-29. As an exception, for pipe with  $D_o/t < 10$ , the value of  $S$  to be used in determining  $P_{a2}$  shall be the lesser of the following values for pipe material at design temperature:

(a) 1.5 times the stress value from Table A-1 of this Code, or

(b) 0.9 times the yield strength tabulated in Section II, Part D, Table Y-1 for materials listed therein

(The symbol  $D_o$  in Section VIII is equivalent to  $D$  in this Code.)

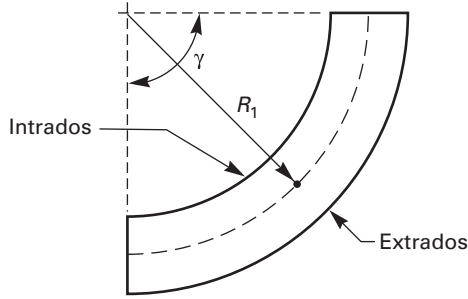
### 304.2 Curved and Mitered Segments of Pipe

**304.2.1 Pipe Bends.** The minimum required thickness,  $t_m$ , of a bend, after bending, in its finished form, shall be determined in accordance with eqs. (2) and (3c)

$$t = \frac{PD}{2[(SEW/T) + PY]} \quad (3c)$$



**Fig. 304.2.1 Nomenclature for Pipe Bends**



where at the intrados (inside bend radius)

$$I = \frac{4(R_1/D) - 1}{4(R_1/D) - 2} \quad (3d)$$

and at the extrados (outside bend radius)

$$I = \frac{4(R_1/D) + 1}{4(R_1/D) + 2} \quad (3e)$$

and at the sidewall on the bend centerline radius,  $I = 1.0$ , and where

$R_1$  = bend radius of welding elbow or pipe bend

Thickness variations from the intrados to the extrados and along the length of the bend shall be gradual. The thickness requirements apply at the mid-span of the bend,  $\gamma/2$ , at the intrados, extrados, and bend centerline radius. The minimum thickness at the end tangents shall not be less than the requirements of para. 304.1 for straight pipe (see Fig. 304.2.1).

**304.2.2 Elbows.** Manufactured elbows not in accordance with para. 303 shall be qualified as required by para. 304.7.2 or designed in accordance with para. 304.2.1, except as provided in para. 328.4.2(b)(6).

**304.2.3 Miter Bends.** An angular offset of 3 deg or less (angle  $\alpha$  in Fig. 304.2.3) does not require design consideration as a miter bend. Acceptable methods for pressure design of multiple and single miter bends are given in (a) and (b) below.

(a) *Multiple Miter Bends.* The maximum allowable internal pressure shall be the lesser value calculated from eqs. (4a) and (4b). These equations are not applicable when  $\theta$  exceeds 22.5 deg.

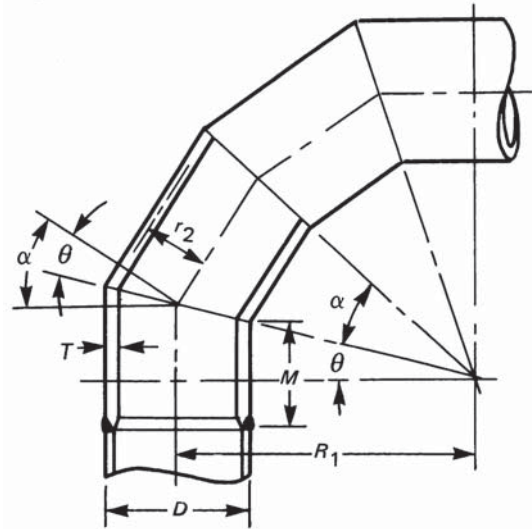
$$P_m = \frac{SEW(T - c)}{r_2} \left( \frac{T - c}{(T - c) + 0.643 \tan \theta \sqrt{r_2(T - c)}} \right) \quad (4a)$$

$$P_m = \frac{SEW(T - c)}{r_2} \left( \frac{R_1 - r_2}{R_1 - 0.5r_2} \right) \quad (4b)$$

(b) *Single Miter Bends*

(1) The maximum allowable internal pressure for a single miter bend with angle  $\theta$  not greater than 22.5 deg shall be calculated by eq. (4a).

**Fig. 304.2.3 Nomenclature for Miter Bends**



(2) The maximum allowable internal pressure for a single miter bend with angle  $\theta$  greater than 22.5 deg shall be calculated by eq. (4c):

$$P_m = \frac{SEW(T - c)}{r_2} \left( \frac{T - c}{(T - c) + 1.25 \tan \theta \sqrt{r_2(T - c)}} \right) \quad (4c)$$

(c) The miter pipe wall thickness,  $T$ , used in eqs. (4a), (4b), and (4c) shall extend a distance not less than  $M$  from the inside crotch of the end miter welds where  $M$  = the larger of  $2.5(r_2T)^{0.5}$  or  $\tan \theta (R_1 - r_2)$

The length of taper at the end of the miter pipe may be included in the distance,  $M$ .

(d) The following nomenclature is used in eqs. (4a), (4b), and (4c) for the pressure design of miter bends:

- $c$  = same as defined in para. 304.1.1
- $E$  = same as defined in para. 304.1.1
- $P_m$  = maximum allowable internal pressure for miter bends
- $R_1$  = effective radius of miter bend, defined as the shortest distance from the pipe centerline to the intersection of the planes of adjacent miter joints
- $r_2$  = mean radius of pipe using nominal wall  $\bar{T}$
- $S$  = same as defined in para. 304.1.1
- $T$  = miter pipe wall thickness (measured or minimum in accordance with the purchase specification)
- $W$  = same as defined in para. 304.1.1
- $\alpha$  = angle of change in direction at miter joint  
=  $2\theta$
- $\theta$  = angle of miter cut

For compliance with this Code, the value of  $R_1$  shall be not less than that given by eq. (5):

$$R_1 = \frac{A}{\tan \theta} + \frac{D}{2} \quad (5)$$

where  $A$  has the following empirical values:

(1) For SI metric units

$(T - c)$ , mm	$A$
$\leq 13$	25
$13 < (T - c) < 22$	$2(T - c)$
$\geq 22$	$[2(T - c)/3] + 30$

(2) For U.S. Customary units

$(T - c)$ , in.	$A$
$\leq 0.5$	1.0
$0.5 < (T - c) < 0.88$	$2(T - c)$
$\geq 0.88$	$[2(T - c)/3] + 1.17$

**304.2.4 Curved and Mitered Segments of Pipe Under External Pressure.** The wall thickness of curved and mitered segments of pipe subjected to external pressure may be determined as specified for straight pipe in para. 304.1.3.

### 304.3 Branch Connections

#### 304.3.1 General

(a) Except as provided in (b) below, the requirements in paras. 304.3.2 through 304.3.4 are applicable to branch connections made in accordance with the following methods:

(1) fittings (tees, extruded outlets, branch outlet fittings in accordance with MSS SP-97, laterals, crosses)

(2) unlisted cast or forged branch connection fittings (see para. 300.2), and couplings not over DN 80 (NPS 3), attached to the run pipe by welding

(3) welding the branch pipe directly to the run pipe, with or without added reinforcement, as covered in para. 328.5.4

(b) The rules in paras. 304.3.2 through 304.3.4 are minimum requirements, valid only for branch connections in which (using the nomenclature of Fig. 304.3.3)

(1) the run pipe diameter-to-thickness ratio ( $D_h/T_h$ ) is less than 100 and the branch-to-run diameter ratio ( $D_b/D_h$ ) is not greater than 1.0

(2) for run pipe with  $D_h/T_h \geq 100$ , the branch diameter,  $D_b$ , is less than one-half the run diameter,  $D_h$

(3) angle  $\beta$  is at least 45 deg

(4) the axis of the branch intersects the axis of the run

(c) Where the provisions of (a) and (b) above are not met, pressure design shall be qualified as required by para. 304.7.2.

(d) Other design considerations relating to branch connections are stated in para. 304.3.5.

(12) **304.3.2 Strength of Branch Connections.** A pipe having a branch connection is weakened by the opening that must be made in it and, unless the wall thickness of the pipe is sufficiently in excess of that required to

sustain the pressure, it is necessary to provide added reinforcement. The amount of reinforcement required to sustain the pressure shall be determined in accordance with para. 304.3.3 or 304.3.4. There are, however, certain branch connections which have adequate pressure strength or reinforcement as constructed. It may be assumed without calculation that a branch connection has adequate strength to sustain the internal and external pressure which will be applied to it if

(a) the branch connection is made with a listed branch type fitting such as an ASME B16.9 or ASME B16.11 tee, or MSS SP-97 branch connection fitting. See para. 303.

(b) the branch connection is made by welding a listed threaded or socket welding coupling or listed half coupling directly to the run in accordance with para. 328.5.4, provided the size of the branch does not exceed DN 50 (NPS 2) nor one-fourth the nominal size of the run. The minimum wall thickness of the coupling anywhere in the reinforcement zone (if threads are in the zone, wall thickness is measured from root of thread to minimum outside diameter) shall be not less than that of the unthreaded branch pipe. In no case shall a coupling or half coupling have a rating less than Class 2000 in accordance with ASME B16.11.

(c) the branch connection utilizes an unlisted branch connection fitting (see para. 300.2), provided the fitting is made from materials listed in Table A-1 and provided that the branch connection is qualified as required by para. 304.7.2.

**304.3.3 Reinforcement of Welded Branch Connections.** Added reinforcement is required to meet the criteria in paras. 304.3.3(b) and (c) when it is not inherent in the components of the branch connection. Sample problems illustrating the calculations for branch reinforcement are shown in Appendix H.

(a) *Nomenclature.* The nomenclature below is used in the pressure design of branch connections. It is illustrated in Fig. 304.3.3, which does not indicate details for construction or welding. Some of the terms defined in Appendix J are subject to further definitions or variations, as follows:

$b$  = subscript referring to branch

$d_1$  = effective length removed from pipe at branch.

For branch intersections where the branch opening is a projection of the branch pipe inside diameter (e.g., pipe-to-pipe fabricated branch),

$$d_1 = [D_b - 2(T_b - c)]/\sin \beta$$

$d_2$  = "half width" of reinforcement zone

=  $d_1$  or  $(T_b - c) + (T_h - c) + d_1/2$ , whichever is greater, but in any case not more than  $D_h$

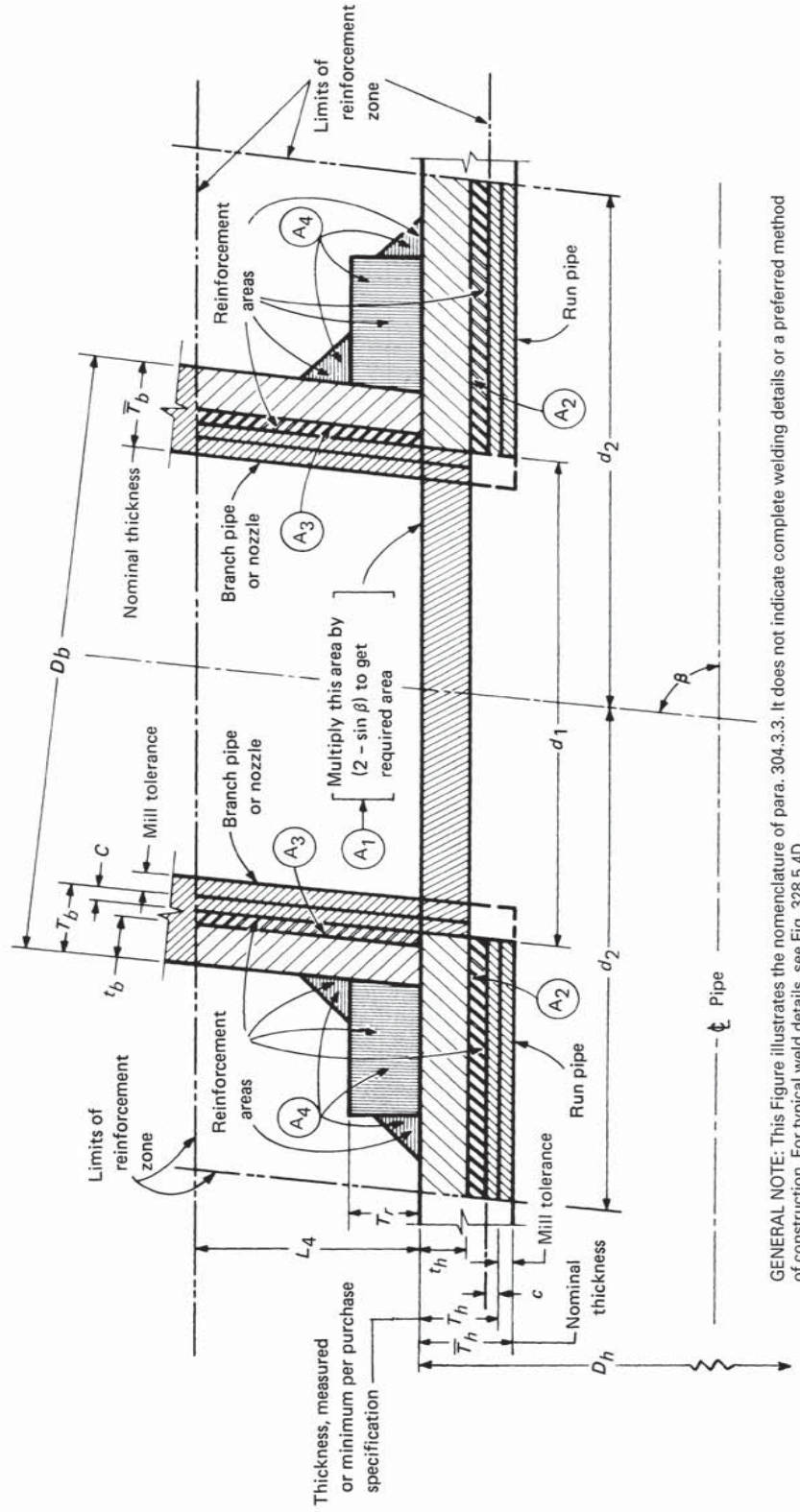
$h$  = subscript referring to run or header

$L_4$  = height of reinforcement zone outside of run pipe

=  $2.5(T_h - c)$  or  $2.5(T_b - c) + T_r$ , whichever is less

$T_b$  = branch pipe thickness (measured or minimum in accordance with the purchase specification)

Fig. 304.3.3 Branch Connection Nomenclature



GENERAL NOTE: This Figure illustrates the nomenclature of para. 304.3.3. It does not indicate complete welding details or a preferred method of construction. For typical weld details, see Fig. 328.5.4D.

except for branch connection fittings (see para. 300.2). For such connections the value of  $T_b$  for use in calculating  $L_4$ ,  $d_2$ , and  $A_3$  is the thickness of the reinforcing barrel (minimum per purchase specification), provided that the barrel thickness is uniform (see Fig. K328.5.4) and extends at least to the  $L_4$  limit (see Fig. 304.3.3).

$T_r$  = minimum thickness of reinforcing ring or saddle made from pipe (use nominal thickness if made from plate)

= 0, if there is no reinforcing ring or saddle

$t$  = pressure design thickness of pipe, according to the appropriate wall thickness equation or procedure in para. 304.1. For welded pipe, when the branch does not intersect the longitudinal weld of the run, the basic allowable stress,  $S$ , for the pipe may be used in determining  $t_h$  for the purpose of reinforcement calculation only. When the branch does intersect the longitudinal weld of the run, the product  $SEW$  (of the stress value,  $S$ ; the appropriate weld joint quality factor,  $E_j$ , from Table A-1B; and the weld joint strength reduction factor,  $W$ ; see para. 302.3.5) for the run pipe shall be used in the calculation. The product  $SEW$  of the branch shall be used in calculating  $t_b$ .

$\beta$  = smaller angle between axes of branch and run

(b) *Required Reinforcement Area.* The reinforcement area,  $A_1$ , required for a branch connection under internal pressure is

$$A_1 = t_h d_1 (2 - \sin \beta) \quad (6)$$

For a branch connection under external pressure, area  $A_1$  is one-half the area calculated by eq. (6), using as  $t_h$  the thickness required for external pressure.

(c) *Available Area.* The area available for reinforcement is defined as

$$A_2 + A_3 + A_4 \geq A_1 \quad (6a)$$

These areas are all within the reinforcement zone and are further defined below.

(1) Area  $A_2$  is the area resulting from excess thickness in the run pipe wall

$$A_2 = (2d_2 - d_1)(T_h - t_h - c) \quad (7)$$

(2) Area  $A_3$  is the area resulting from excess thickness in the branch pipe wall

$$A_3 = 2L_4(T_b - t_b - c)/\sin \beta \quad (8)$$

If the allowable stress for the branch pipe wall is less than that for the run pipe, its calculated area must be reduced in the ratio of allowable stress values of the

branch to the run in determining its contributions to area  $A_3$ .

(3) Area  $A_4$  is the area of other metal provided by welds and properly attached reinforcement. [See para. 304.3.3(f).] Weld areas shall be based on the minimum dimensions specified in para. 328.5.4, except that larger dimensions may be used if the welder has been specifically instructed to make the welds to those dimensions.

(d) *Reinforcement Zone.* The reinforcement zone is a parallelogram whose length extends a distance,  $d_2$ , on each side of the centerline of the branch pipe and whose width starts at the inside surface of the run pipe (in its corroded condition) and extends beyond the outside surface of the run pipe a perpendicular distance,  $L_4$ .

(e) *Multiple Branches.* When two or more branch connections are so closely spaced that their reinforcement zones overlap, the distance between centers of the openings should be at least  $1\frac{1}{2}$  times their average diameter, and the area of reinforcement between any two openings shall be not less than 50% of the total that both require. Each opening shall have adequate reinforcement in accordance with paras. 304.3.3(b) and (c). No part of the metal cross section may apply to more than one opening or be evaluated more than once in any combined area. (Consult PFI Standard ES-7 for detailed recommendations on spacing of welded nozzles.)

(f) *Added Reinforcement*

(1) Reinforcement added in the form of a ring or saddle as part of area  $A_4$  shall be of reasonably constant width.

(2) Material used for reinforcement may differ from that of the run pipe provided it is compatible with run and branch pipes with respect to weldability, heat treatment requirements, galvanic corrosion, thermal expansion, etc.

(3) If the allowable stress for the reinforcement material is less than that for the run pipe, its calculated area must be reduced in the ratio of allowable stress values in determining its contribution to area  $A_4$ .

(4) No additional credit may be taken for a material having higher allowable stress value than the run pipe.

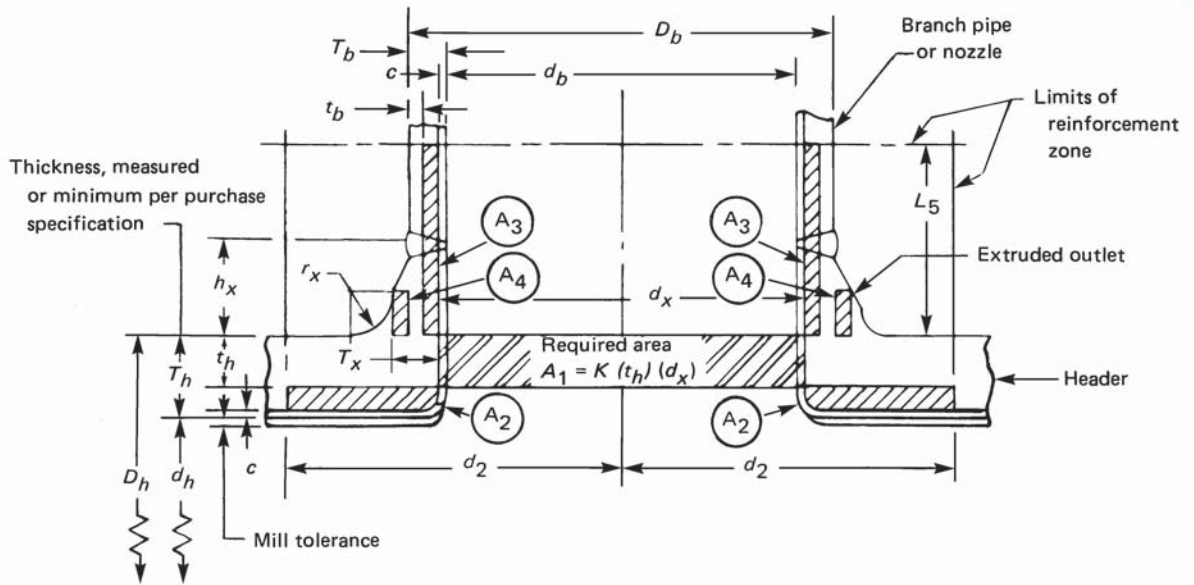
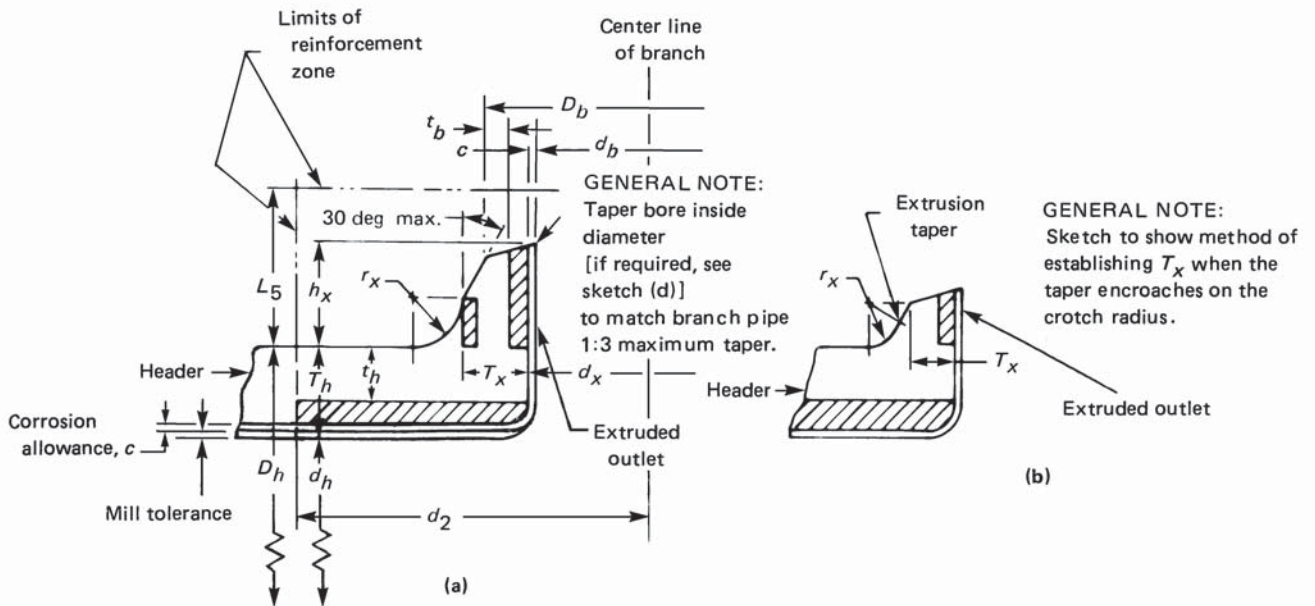
### 304.3.4 Reinforcement of Extruded Outlet Headers

(a) The principles of reinforcement stated in para. 304.3.3 are essentially applicable to extruded outlet headers. An extruded outlet header is a length of pipe in which one or more outlets for branch connection have been formed by extrusion, using a die or dies to control the radii of the extrusion. The extruded outlet projects above the surface of the header a distance  $h_x$  at least equal to the external radius of the outlet  $r_x$  (i.e.,  $h_x \geq r_x$ ).

(b) The rules in para. 304.3.4 are minimum requirements, valid only within the limits of geometry shown in Fig. 304.3.4, and only where the axis of the outlet intersects and is perpendicular to the axis of the header.

**Fig. 304.3.4 Extruded Outlet Header Nomenclature**

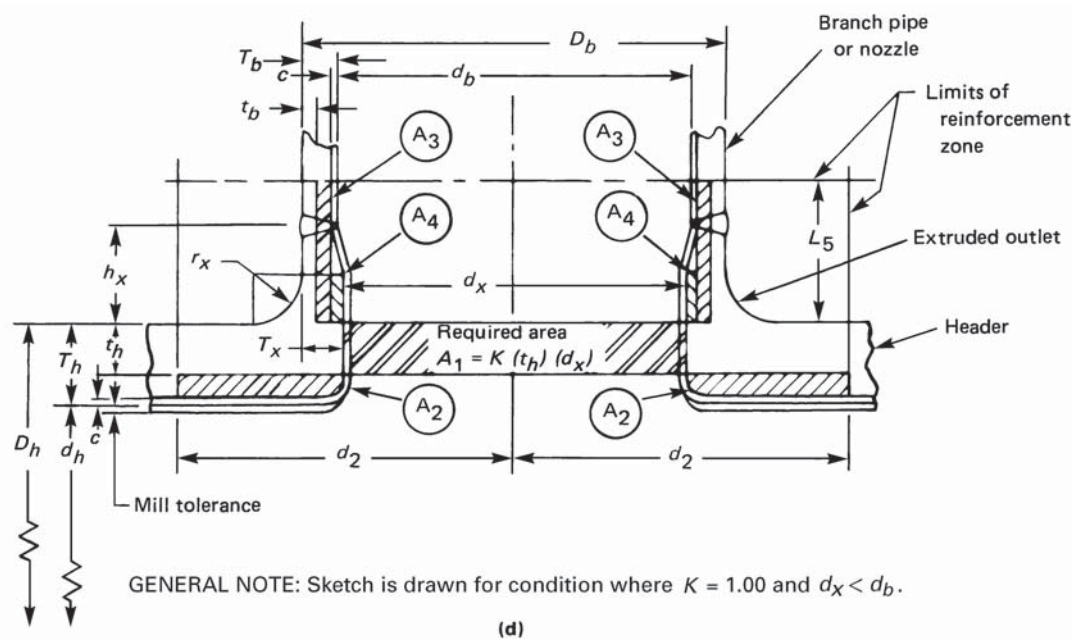
This Figure illustrates the nomenclature of para. 304.3.4. It does not indicate complete details or a preferred method of construction.



(c)

**Fig. 304.3.4 Extruded Outlet Header Nomenclature (Cont'd)**

This Figure illustrates the nomenclature of para. 304.3.4. It does not indicate complete details or a preferred method of construction.



Where these requirements are not met, or where nonintegral material such as a ring, pad, or saddle has been added to the outlet, pressure design shall be qualified as required by para. 304.7.2.

(c) *Nomenclature.* The nomenclature used herein is illustrated in Fig. 304.3.4. Note the use of subscript  $x$  signifying extruded. Refer to para. 304.3.3(a) for nomenclature not listed here.

$d_x$  = the design inside diameter of the extruded outlet, measured at the level of the outside surface of the header. This dimension is taken after removal of all mechanical and corrosion allowances, and all thickness tolerances.

$d_2$  = half width of reinforcement zone (equal to  $d_x$ )

$h_x$  = height of the extruded outlet. This must be equal to or greater than  $r_x$  [except as shown in sketch (b) in Fig. 304.3.4].

$L_5$  = height of reinforcement zone  
 $= 0.7\sqrt{D_b T_x}$

$r_x$  = radius of curvature of external contoured portion of outlet, measured in the plane containing the axes of the header and branch

$T_x$  = corroded finished thickness of extruded outlet, measured at a height equal to  $r_x$  above the outside surface of the header

(d) *Limitations on Radius  $r_x$ .* The external contour radius,  $r_x$ , is subject to the following limitations:

(1) minimum  $r_x$ : the lesser of  $0.05D_b$  or 38 mm (1.50 in.)

(2) maximum  $r_x$  shall not exceed

(a) for  $D_b < \text{DN } 200$  (NPS 8), 32 mm (1.25 in.)

(b) for  $D_b \geq \text{DN } 200$ ,  $0.1D_b + 13$  mm (0.50 in.)

(3) for an external contour with multiple radii, the requirements of (1) and (2) above apply, considering the best-fit radius over a 45 deg arc as the maximum radius

(4) machining shall not be employed in order to meet the above requirements

(e) *Required Reinforcement Area.* The required area of reinforcement is defined by

$$A_1 = Kt_h d_x \quad (9)$$

where  $K$  is determined as follows:

(1) For  $D_b/D_h > 0.60$ ,  $K = 1.00$ .

(2) For  $0.60 \geq D_b/D_h > 0.15$ ,  $K = 0.6 + \frac{2}{3}(D_b/D_h)$ .

(3) For  $D_b/D_h \leq 0.15$ ,  $K = 0.70$ .

(f) *Available Area.* The area available for reinforcement is defined as

$$A_2 + A_3 + A_4 \geq A_1 \quad (9a)$$

These areas are all within the reinforcement zone and are further defined below.

(1) Area  $A_2$  is the area resulting from excess thickness in the header wall

$$A_2 = (2d_2 - d_x)(T_h - t_h - c) \quad (10)$$

(2) Area  $A_3$  is the area resulting from excess thickness in the branch pipe wall

$$A_3 = 2L_5(T_b - t_b - c) \quad (11)$$

(3) Area  $A_4$  is the area resulting from excess thickness in the extruded outlet lip

$$A_4 = 2r_x[T_x - (T_b - c)] \quad (12)$$

(g) *Reinforcement of Multiple Openings.* The rules of para. 304.3.3(e) shall be followed, except that the required area and reinforcement area shall be as given in para. 304.3.4.

(h) *Identification.* The manufacturer shall establish the design pressure and temperature for each extruded outlet header and shall mark the header with this information, together with the symbol "B31.3" (indicating the applicable Code Section) and the manufacturer's name or trademark.

**304.3.5 Additional Design Considerations.** The requirements of paras. 304.3.1 through 304.3.4 are intended to ensure satisfactory performance of a branch connection subject only to pressure. The designer shall also consider the following:

(a) In addition to pressure loadings, external forces and movements are applied to a branch connection by thermal expansion and contraction, dead and live loads, and movement of piping terminals and supports. Special consideration shall be given to the design of a branch connection to withstand these forces and movements.

(b) Branch connections made by welding the branch pipe directly to the run pipe should be avoided under the following circumstances:

(1) when branch size approaches run size, particularly if pipe formed by more than 1.5% cold expansion, or expanded pipe of a material subject to work hardening, is used as the run pipe

(2) where repetitive stresses may be imposed on the connection by vibration, pulsating pressure, temperature cycling, etc.

In such cases, it is recommended that the design be conservative and that consideration be given to the use of tee fittings or complete encirclement types of reinforcement.

(c) Adequate flexibility shall be provided in a small line which branches from a large run, to accommodate thermal expansion and other movements of the larger line (see para. 319.6).

(d) If ribs, gussets, or clamps are used to stiffen the branch connection, their areas cannot be counted as contributing to the reinforcement area determined in para.

**Table 304.4.1 BPV Code References for Closures**

Type of Closure	Concave to Pressure	Convex to Pressure
Ellipsoidal	UG-32(d)	UG-33(d)
Torispherical	UG-32(e)	UG-33(e)
Hemispherical	UG-32(f)	UG-33(c)
Conical (no transition to knuckle)	UG-32(g)	UG-33(f)
Toriconical	UG-32(h)	UG-33(f)
Flat (pressure on either side)	UG-34	

GENERAL NOTE: Paragraph numbers are from the BPV Code, Section VIII, Division 1.

304.3.3(c) or 304.3.4(f). However, ribs or gussets may be used for pressure-strengthening a branch connection in lieu of reinforcement covered in paras. 304.3.3 and 304.3.4 if the design is qualified as required by para. 304.7.2.

(e) For branch connections which do not meet the requirements of para. 304.3.1(b), integral reinforcement, complete encirclement reinforcement, or other means of reinforcement should be considered.

**304.3.6 Branch Connections Under External Pressure.** Pressure design for a branch connection subjected to external pressure may be determined in accordance with para. 304.3.1, using the reinforcement area requirement stated in para. 304.3.3(b).

## 304.4 Closures

### 304.4.1 General

(a) Closures not in accordance with para. 303 or 304.4.1(b) shall be qualified as required by para. 304.7.2.

(b) For materials and design conditions covered therein, closures may be designed in accordance with the rules in the BPV Code, Section VIII, Division 1, calculated from eq. (13)

$$t_m = t + c \quad (13)$$

where

$c$  = sum of allowances defined in para. 304.1.1

$t$  = pressure design thickness, calculated for the type of closure and direction of loading, shown in Table 304.4.1, except that the symbols used to determine  $t$  shall be:

$E$  = same as defined in para. 304.1.1

$P$  = design gage pressure

$S$  =  $S$  times  $W$ , with  $S$  and  $W$  as defined in para. 304.1.1

$t_m$  = minimum required thickness, including mechanical, corrosion, and erosion allowance

### 304.4.2 Openings in Closures

(a) The rules in paras. 304.4.2(b) through (g) apply to openings not larger than one-half the inside diameter of the closure as defined in Section VIII, Division 1, UG-36. A closure with a larger opening should be designed as a reducer in accordance with para. 304.6 or, if the closure is flat, as a flange in accordance with para. 304.5.

(b) A closure is weakened by an opening and, unless the thickness of the closure is sufficiently in excess of that required to sustain pressure, it is necessary to provide added reinforcement. The need for and amount of reinforcement required shall be determined in accordance with the subparagraphs below except that it shall be considered that the opening has adequate reinforcement if the outlet connection meets the requirements in para. 304.3.2(b) or (c).

(c) Reinforcement for an opening in a closure shall be so distributed that reinforcement area on each side of an opening (considering any plane through the center of the opening normal to the surface of the closure) will equal at least one-half the required area in that plane.

(d) The total cross-sectional area required for reinforcement in any given plane passing through the center of the opening shall not be less than that defined in UG-37(b), UG-38, and UG-39.

(e) The reinforcement area and reinforcement zone shall be calculated in accordance with para. 304.3.3 or 304.3.4, considering the subscript  $h$  and other references to the run or header pipe as applying to the closure. Where the closure is curved, the boundaries of the reinforcement zone shall follow the contour of the closure, and dimensions of the reinforcement zone shall be measured parallel to and perpendicular to the closure surface.

(f) If two or more openings are to be located in a closure, the rules in paras. 304.3.3 and 304.3.4 for the reinforcement of multiple openings apply.

(g) The additional design considerations for branch connections discussed in para. 304.3.5 apply equally to openings in closures.

## 304.5 Pressure Design of Flanges and Blanks

### 304.5.1 Flanges — General

(a) Flanges not in accordance with para. 303, or 304.5.1(b) or (d), shall be qualified as required by para. 304.7.2.

(b) A flange may be designed in accordance with the BPV Code, Section VIII, Division 1, Appendix 2, using the allowable stresses and temperature limits of the B31.3

Code. Nomenclature shall be as defined in Appendix 2, except as follows:

$P$  = design gage pressure

$S_a$  = bolt design stress at atmospheric temperature

$S_b$  = bolt design stress at design temperature

$S_f$  = product  $SEW$  [of the stress value  $S$ , the appropriate quality factor  $E$  from Table A-1A or A-1B, and weld joint strength reduction factor in accordance with para. 302.3.5(e)] for flange or pipe material. See para. 302.3.2(e).

(c) The rules in (b) above are not applicable to a flanged joint having a gasket that extends outside the bolts (usually to the outside diameter of the flange).

(d) For flanges that make solid contact outside the bolts, Section VIII, Division 1, Appendix Y should be used.

(e) See Section VIII, Division 1, Appendix S, for considerations applicable to bolted joint assembly.

### 304.5.2 Blind Flanges

(a) Blind flanges not in accordance with para. 303 or 304.5.2(b) shall be qualified as required by para. 304.7.2.

(b) A blind flange may be designed in accordance with eq. (14). The minimum thickness, considering the manufacturer's minus tolerance, shall be not less than  $t_m$

$$t_m = t + c \quad (14)$$

To calculate  $t$ , the rules of Section VIII, Division 1, UG-34 may be used with the following changes in nomenclature:

$c$  = sum of allowances defined in para. 304.1.1

$P$  = internal or external design gage pressure

$S_f$  = product  $SEW$  [of the stress value,  $S$ , and the appropriate quality factor,  $E$ , from Table A-1A or A-1B and weld joint strength reduction factor per para. 302.3.5(e)] for flange material. See para. 302.3.2(e).

$t$  = pressure design thickness, as calculated for the given styles of blind flange, using the appropriate equations for bolted flat cover plates in UG-34

### 304.5.3 Blanks

(a) Blanks not in accordance with para. 303 or 304.5.3(b) shall be qualified as required by para. 304.7.2.

(b) The minimum required thickness of a permanent blank (representative configurations shown in Fig. 304.5.3) shall be calculated in accordance with eq. (15)

$$t_m = d_g \sqrt{\frac{3P}{16SEW}} + c \quad (15)$$

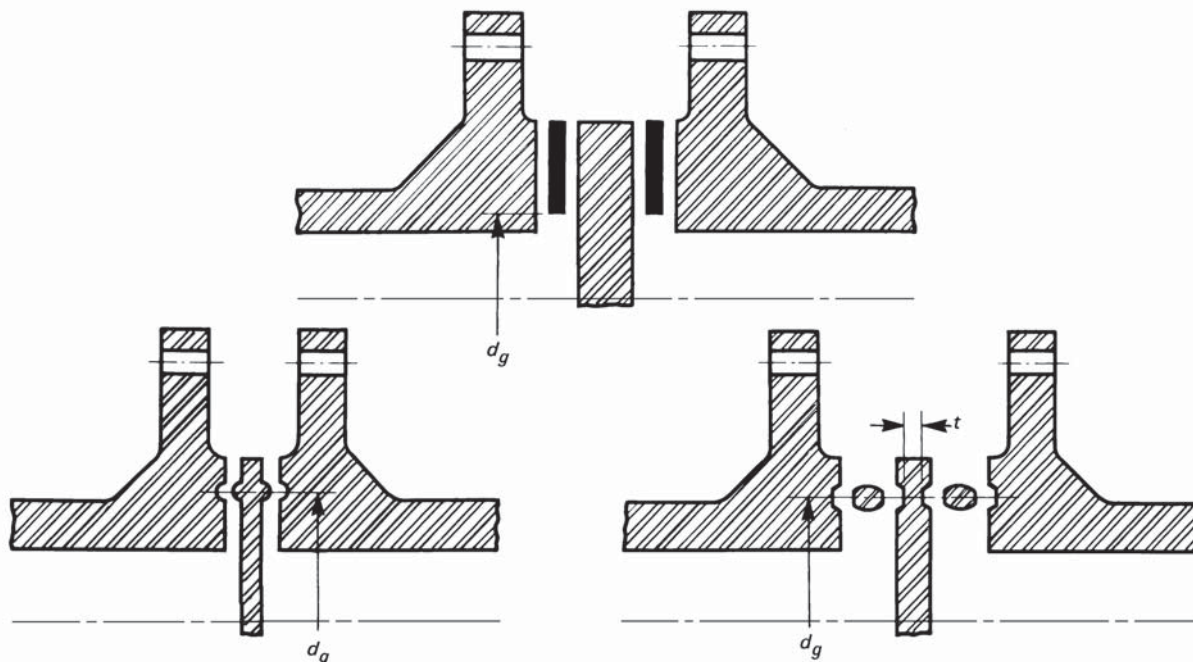
where

$c$  = sum of allowances defined in para. 304.1.1

$d_g$  = inside diameter of gasket for raised or flat face flanges, or the gasket pitch diameter for ring joint and fully retained gasketed flanges



Fig. 304.5.3 Blanks



$E$  = same as defined in para. 304.1.1  
 $P$  = design gage pressure  
 $S$  = same as defined in para. 304.1.1  
 $W$  = same as defined in para. 304.1.1

### 304.6 Reducers

#### 304.6.1 Concentric Reducers

(a) Concentric reducers not in accordance with para. 303 or 304.6.1(b) shall be qualified as required by para. 304.7.2.

(b) Concentric reducers made in a conical or reversed curve section, or a combination of such sections, may be designed in accordance with the rules for conical and toriconical closures stated in para. 304.4.1.

**304.6.2 Eccentric Reducers.** Eccentric reducers not in accordance with para. 303 shall be qualified as required by para. 304.7.2.

### 304.7 Pressure Design of Other Components

**304.7.1 Listed Components.** Other pressure containing components manufactured in accordance with standards in Table 326.1 may be utilized in accordance with para. 303.

- (12) **304.7.2 Unlisted Components.** Pressure design of unlisted components to which the rules elsewhere in para. 304 do not apply shall be based on the pressure design criteria of this Code. The pressure design shall be substantiated by one or more of the means stated in (a) through (d) below. Note that designs are also required

to be checked for adequacy of mechanical strength as described in para. 302.5. Documentation showing compliance with this paragraph shall be available for the owner's approval.

(a) extensive, successful service experience under comparable conditions with similarly proportioned components of the same or like material.

(b) experimental stress analysis, such as described in the BPV Code, Section VIII, Division 2, Annex 5.F.

(c) proof test in accordance with ASME B16.9, MSS SP-97, or Section VIII, Division 1, UG-101.

(d) detailed stress analysis (e.g., finite element method) with results evaluated as described in Section VIII, Division 2, Part 5. The basic allowable stress from Table A-1 shall be used in place of the allowable stress,  $S$ , in Division 2 where applicable. At design temperatures in the creep range, additional considerations beyond the scope of Division 2 may be necessary.

(e) For any of the above, the designer may interpolate between sizes, wall thicknesses, and pressure classes, and may determine analogies among related materials.

**304.7.3 Metallic Components With Nonmetallic Pressure Parts.** Components not covered by standards listed in Table 326.1, in which both metallic and nonmetallic parts contain the pressure, shall be evaluated by applicable requirements of para. A304.7.2 as well as those of para. 304.7.2.

#### 304.7.4 Expansion Joints

(a) *Metallic Bellows Expansion Joints.* The design of bellows type expansion joints shall be in accordance with

Appendix X. See also Appendix F, para. F304.7.4 for further design considerations.

(b) *Slip Type Expansion Joints*

(1) Pressure containing elements shall be in accordance with para. 318 and other applicable requirements of this Code.

(2) External piping loads shall not impose excessive bending on the joint.

(3) The effective pressure thrust area shall be computed using the outside diameter of the pipe.

(c) *Other Types of Expansion Joint.* The design of other types of expansion joint shall be qualified as required by para. 304.7.2.

### PART 3 FLUID SERVICE REQUIREMENTS FOR PIPING COMPONENTS

#### 305 PIPE

Pipe includes components designated as “tube” or “tubing” in the material specification, when intended for pressure service.

##### 305.1 General

Listed pipe may be used in Normal Fluid Service except as stated in paras. 305.2.1 and 305.2.2. Unlisted pipe may be used only as provided in para. 302.2.3.

##### 305.2 Specific Requirements

**305.2.1 Pipe for Category D Fluid Service.** The following carbon steel pipe may be used only for Category D Fluid Service:

- API 5L, Furnace Butt-Welded
- ASTM A53, Type F
- ASTM A134 made from other than ASTM A285 plate

**305.2.2 Pipe Requiring Safeguarding.** When used for other than Category D Fluid Service, the following carbon steel pipe shall be safeguarded:

- ASTM A134 made from ASTM A285 plate
- ASTM A139

**305.2.3 Pipe for Severe Cyclic Conditions.** Only the following pipe<sup>7</sup> may be used under severe cyclic conditions:

(a) *Carbon Steel Pipe*

- API 5L, Grade A or B, seamless
- API 5L, Grade A or B, SAW, str. seam,  $E_j \geq 0.95$
- API 5L, Grade X42, seamless
- API 5L, Grade X46, seamless
- API 5L, Grade X52, seamless
- API 5L, Grade X56, seamless

- API 5L, Grade X60, seamless
- ASTM A53, seamless
- ASTM A106
- ASTM A333, seamless
- ASTM A369
- ASTM A381,  $E_j \geq 0.90$
- ASTM A524
- ASTM A671,  $E_j \geq 0.90$
- ASTM A672,  $E_j \geq 0.90$
- ASTM A691,  $E_j \geq 0.90$

(b) *Low and Intermediate Alloy Steel Pipe*

- ASTM A333, seamless
- ASTM A335
- ASTM A369
- ASTM A426,  $E_c \geq 0.90$
- ASTM A671,  $E_j \geq 0.90$
- ASTM A672,  $E_j \geq 0.90$
- ASTM A691,  $E_j \geq 0.90$

(c) *Stainless Steel Alloy Pipe*

- ASTM A268, seamless
- ASTM A312, seamless
- ASTM A358,  $E_j \geq 0.90$
- ASTM A376
- ASTM A451,  $E_c \geq 0.90$

(d) *Copper and Copper Alloy Pipe*

- ASTM B42
- ASTM B466

(e) *Nickel and Nickel Alloy Pipe*

- ASTM B161
- ASTM B165
- ASTM B167
- ASTM B407

(f) *Aluminum Alloy Pipe*

- ASTM B210, Tempers O and H112
- ASTM B241, Tempers O and H112

**305.2.4 Elevated Temperature Fluid Service.** In (12) Elevated Temperature Fluid Service, all longitudinal or spiral (helical seam) welds in P-No. 4 or P-No. 5 materials shall be examined by 100% radiography or 100% ultrasonic examination. Acceptance criteria are as stated in para. 341.3.2 and in Table 341.3.2, for Normal Fluid Service, unless otherwise specified.

#### 306 FITTINGS, BENDS, MITERS, LAPS, AND BRANCH CONNECTIONS

Fittings, bends, miters, laps, and branch connections may be used in accordance with paras. 306.1 through 306.5. Pipe and other materials used in such components shall be suitable for the manufacturing or fabrication process and the fluid service.

<sup>7</sup> Casting or joint factors,  $E_c$  or  $E_j$ , specified for cast or welded pipe that do not correspond with  $E$  factors in Table A-1A or A-1B are established in accordance with paras. 302.3.3 and 302.3.4.

### 306.1 Pipe Fittings

**306.1.1 Listed Fittings.** Listed fittings may be used in Normal Fluid Service in accordance with para. 303.

**306.1.2 Unlisted Fittings.** Unlisted fittings may be used only in accordance with para. 302.2.3.

#### 306.1.3 Specific Fittings

(a) Proprietary welding branch outlet fittings which have been design proof tested successfully as prescribed in ASME B16.9, MSS SP-97, or the BPV Code, Section VIII, Division 1, UG-101 may be used within their established ratings.

(b) The lap thickness of a proprietary "Type C" lap-joint stub-end butt-welding fitting shall conform to the requirements of para. 306.4.2 for flared laps.

#### 306.1.4 Fittings for Severe Cyclic Conditions

(a) Only the following fittings may be used under severe cyclic conditions:

- (1) forged
- (2) wrought, with factor  $E_j \geq 0.90$ ,<sup>8</sup> or
- (3) cast, with factor  $E_c \geq 0.90$ <sup>8</sup>

(b) Fittings conforming to MSS SP-43, MSS SP-119, and proprietary "Type C" lap-joint stub-end welding fittings shall not be used under severe cyclic conditions.

### 306.2 Pipe Bends

#### 306.2.1 General

(a) A pipe bend made in accordance with paras. 332.2.1 and 332.2.2, and verified for pressure design in accordance with para. 304.2.1, is suitable for the same service as the pipe from which it is made.

(b) A pipe bend made in accordance with para. 332.2.2, but not meeting the flattening limits of para. 332.2.1, may be qualified for pressure design by para. 304.7.2 and shall not exceed the rating of the straight pipe from which it is made.

**306.2.2 Corrugated and Other Bends.** Bends of other designs (such as creased or corrugated) shall be qualified for pressure design as required by para. 304.7.2.

**306.2.3 Bends for Severe Cyclic Conditions.** A pipe bend designed as creased or corrugated shall not be used under severe cyclic conditions.

### 306.3 Miter Bends

**306.3.1 General.** Except as stated in para. 306.3.2, a miter bend made in accordance with para. 304.2.3 and welded in accordance with para. 311.1 is suitable for use in Normal Fluid Service.

**306.3.2 Miter Bends for Category D Fluid Service.** A miter bend that makes a change in direction at a single joint (angle  $\alpha$  in Fig. 304.2.3) greater than 45 deg, or is

welded in accordance with para. 311.2.1, may be used only for Category D Fluid Service.

#### 306.3.3 Miter Bends for Severe Cyclic Conditions.

A miter bend to be used under severe cyclic conditions shall be made in accordance with para. 304.2.3 and welded in accordance with para. 311.2.2, and shall have an angle  $\alpha$  (see Fig. 304.2.3)  $\leq 22.5$  deg.

### 306.4 Laps

The following requirements do not apply to fittings conforming to para. 306.1, specifically lap-joint stub ends conforming to ASME B16.9, nor to laps integrally hot-forged on pipe ends, except as noted in paras. 306.4.3 and 306.4.4(a).

**306.4.1 Fabricated Laps.** A fabricated lap is suitable for use in Normal Fluid Service, provided that all of the following requirements are met.

(a) The outside diameter of the lap shall be within the dimensional tolerances of the corresponding ASME B16.9 lap-joint stub end.

(b) The lap thickness shall be at least equal to the nominal wall thickness of the pipe to which it is attached.

(c) The lap material shall have an allowable stress at least as great as that of the pipe.

(d) Welding shall be in accordance with para. 311.1 and fabrication shall be in accordance with para. 328.5.5.

**306.4.2 Flared Laps.** See para. 308.2.5 for requirements of lapped flanges for use with flared laps. A flared lap is suitable for use in Normal Fluid Service, provided that all of the following requirements are met.

(a) The pipe used shall be of a specification and grade suitable for forming without cracks, surface buckling, or other defects.

(b) The outside diameter of the lap shall be within the dimensional tolerances of the corresponding ASME B16.9 lap-joint stub end.

(c) The radius of fillet shall not exceed 3 mm ( $\frac{1}{8}$  in.).

(d) The lap thickness at any point shall be at least 95% of the minimum pipe wall thickness,  $T$ , multiplied by the ratio of the pipe outside diameter to the diameter at which the lap thickness is measured.

(e) Pressure design shall be qualified as required by para. 304.7.2.

**306.4.3 Forged Laps.** A lap integrally hot-forged on a pipe end is suitable for Normal Fluid Service only when the requirements of para. 332 are met. Its dimensions shall conform to those for lap-joint stub ends given in ASME B16.9.

#### 306.4.4 Laps for Severe Cyclic Conditions

(a) A forged lap-joint stub end in accordance with para. 306.1 or a lap integrally hot-forged on a pipe end in accordance with para. 306.4.3 may be used under severe cyclic conditions.

<sup>8</sup> See paras. 302.3.3 and 302.3.4.

(b) A fabricated lap to be used under severe cyclic conditions shall conform to the requirements of para. 306.4.1, except that welding shall be in accordance with para. 311.2.2. A fabricated lap shall conform to a detail shown in Fig. 328.5.5, sketch (d) or (e).

(c) A flared lap is not permitted under severe cyclic conditions.

### 306.5 Fabricated Branch Connections

The following requirements do not apply to fittings conforming to para. 306.1.

**306.5.1 General.** A fabricated branch connection made and verified for pressure design in accordance with para. 304.3, and welded in accordance with para. 311.1, is suitable for use in Normal Fluid Service.

**306.5.2 Fabricated Branch Connections for Severe Cyclic Conditions.** A fabricated branch connection to be used under severe cyclic conditions shall conform to the requirements of para. 306.5.1, except that welding shall be in accordance with para. 311.2.2, with fabrication limited to a detail equivalent to Fig. 328.5.4D sketch (2) or (4), or to Fig. 328.5.4E.

## 307 VALVES AND SPECIALTY COMPONENTS

The following requirements for valves shall also be met as applicable by other pressure containing piping components, such as traps, strainers, and separators. See also Appendix F, paras. F301.4 and F307.

### 307.1 General

**307.1.1 Listed Valves.** A listed valve is suitable for use in Normal Fluid Service, except as stated in para. 307.2.

**307.1.2 Unlisted Valves.** Unlisted valves may be used only in accordance with para. 302.2.3. Unless pressure-temperature ratings are established by the method set forth in ASME B16.34, pressure design shall be qualified as required by para. 304.7.2.

### 307.2 Specific Requirements

**307.2.1 Bonnet Bolting.** A bolted bonnet valve whose bonnet is secured to the body by less than four bolts, or by a U-bolt, may be used only for Category D Fluid Service.

**307.2.2 Stem Retention.** Valves shall be designed so that the stem seal retaining fasteners (e.g., packing, gland fasteners) alone do not retain the stem. Specifically, the design shall be such that the stem shall not be capable of removal from the valve, while the valve is under pressure, by the removal of the stem seal retainer (e.g., gland) alone.

**Table 308.2.1 Permissible Sizes/Rating Classes for Slip-On Flanges Used as Lapped Flanges**

Rating Class	Maximum Flange Size	
	DN	NPS
150	300	12
300	200	8

GENERAL NOTE: Actual thickness of flange at bolt circle shall at least equal minimum required flange thickness in ASME B16.5.

## 308 FLANGES, BLANKS, FLANGE FACINGS, AND GASKETS

### 308.1 General

**308.1.1 Listed Components.** A listed flange, blank, or gasket is suitable for use in Normal Fluid Service, except as stated elsewhere in para. 308.

**308.1.2 Unlisted Components.** Unlisted flanges, blanks, and gaskets may be used only in accordance with para. 302.2.3.

### 308.2 Specific Requirements for Flanges

See Appendix F, paras. F308.2 and F312.

#### 308.2.1 Slip-On Flanges

(a) A slip-on flange shall be double-welded as shown in Fig. 328.5.2B when the service is

(1) subject to severe erosion, crevice corrosion, or cyclic loading

(2) flammable, toxic, or damaging to human tissue

(3) under severe cyclic conditions

(4) at temperatures below  $-101^{\circ}\text{C}$  ( $-150^{\circ}\text{F}$ )

(b) The use of slip-on flanges should be avoided where many large temperature cycles are expected, particularly if the flanges are not insulated.

(c) *Slip-on Flanges as Lapped Flanges.* A slip-on flange may be used as a lapped flange only as shown in Table 308.2.1 unless pressure design is qualified in accordance with para. 304.5.1. A corner radius or bevel shall conform to one of the following as applicable:

(1) For an ASME B16.9 lap joint stub end or a forged lap (see para. 306.4.3) the corner radius shall be as specified in ASME B16.5, Tables 9 and 12, dimension  $r$ .

(2) For a fabricated lap, the corner bevel shall be at least half the nominal thickness of the pipe to which the lap is attached (see Fig. 328.5.5).

(3) For a flared lap see para. 308.2.5.

**308.2.2 Expanded-Joint Flanges.** A flange having an expanded-joint insert is subject to the requirements for expanded joints in para. 313.

**308.2.3 Socket Welding and Threaded Flanges.** A socket welding flange is subject to the requirements for socket welds in para. 311.2.5. A threaded flange is subject to the requirements for threaded joints in para. 314.4.

**308.2.4 Flanges for Severe Cyclic Conditions.** Unless it is safeguarded, a flange to be used under severe cyclic conditions shall be welding neck conforming to ASME B16.5 or ASME B16.47, or a similarly proportioned flange designed in accordance with para. 304.5.1.

**308.2.5 Flanges for Flared Metallic Laps.** For a flange used with a flared metallic lap (para. 306.4.2), the intersection of face and bore shall be beveled or rounded approximately 3 mm ( $\frac{1}{8}$  in.). See also para. 308.2.1(c).

### 308.3 Flange Facings

The flange facing shall be suitable for the intended service and for the gasket and bolting employed.

### 308.4 Gaskets

Gaskets shall be selected so that the required seating load is compatible with the flange rating and facing, the strength of the flange, and its bolting. Materials shall be suitable for the service conditions. See also Appendix F, para. F308.4.

## 309 BOLTING

Bolting includes bolts, bolt studs, studs, cap screws, nuts, and washers. See also Appendix F, para. F309.

### 309.1 General

**309.1.1 Listed Bolting.** Listed bolting is suitable for use in Normal Fluid Service, except as stated elsewhere in para. 309.

**309.1.2 Unlisted Bolting.** Unlisted bolting may be used only in accordance with para. 302.2.3.

**309.1.3 Bolting for Components.** Bolting for components conforming to a listed standard shall be in accordance with that standard if specified therein.

**309.1.4 Selection Criteria.** Bolting selected shall be adequate to seat the gasket and maintain joint tightness under all design conditions.

### 309.2 Specific Bolting

**309.2.1 Low Yield Strength Bolting.** Bolting having not more than 207 MPa (30 ksi) specified minimum yield strength shall not be used for flanged joints rated ASME B16.5 Class 400 and higher, nor for flanged joints using metallic gaskets, unless calculations have been made showing adequate strength to maintain joint tightness.

**309.2.2 Carbon Steel Bolting.** Except where limited by other provisions of this Code, carbon steel bolting may be used with nonmetallic gaskets in flanged joints rated ASME B16.5 Class 300 and lower for bolt metal temperatures at  $-29^{\circ}\text{C}$  to  $204^{\circ}\text{C}$  ( $-20^{\circ}\text{F}$  to  $400^{\circ}\text{F}$ ), inclusive. If these bolts are galvanized, heavy hexagon nuts, threaded to suit, shall be used.

### 309.2.3 Bolting for Metallic Flange Combinations.

Any bolting which meets the requirements of para. 309 may be used with any combination of flange material and facing. If either flange is to the ASME B16.1, ASME B16.24, MSS SP-42, or MSS SP-51 specification, the bolting material shall be no stronger than low yield strength bolting unless

(a) both flanges have flat faces and a full face gasket is used, or

(b) sequence and torque limits for bolt-up are specified, with consideration of sustained loads, displacement strains, occasional loads (see paras. 302.3.5 and 302.3.6), and strength of the flanges

**309.2.4 Bolting for Severe Cyclic Conditions.** Low yield strength bolting (see para. 309.2.1) shall not be used for flanged joints under severe cyclic conditions.

### 309.3 Tapped Holes

Tapped holes for pressure retaining bolting in metallic piping components shall be of sufficient depth that the thread engagement will be at least seven-eighths times the nominal thread diameter.

## PART 4

## FLUID SERVICE REQUIREMENTS FOR PIPING JOINTS

### 310 GENERAL

Piping joints shall be selected to suit the piping material and the fluid service, with consideration of joint tightness and mechanical strength under expected service and test conditions of pressure, temperature, and external loading.

### 311 WELDED JOINTS

Joints may be made by welding in any material for which it is possible to qualify welding procedures, welders, and welding operators in conformance with the rules in Chapter V.

#### 311.1 General

Except as provided in paras. 311.2.1 and 311.2.2, welds shall conform to the following:

(a) Welding shall be in accordance with para. 328.

(b) Preheating and heat treatment shall be in accordance with paras. 330 and 331, respectively.

(c) Examination shall be in accordance with para. 341.4.1.

(d) Acceptance criteria shall be those in Table 341.3.2 for Normal Fluid Service.

#### 311.2 Specific Requirements

**311.2.1 Welds for Category D Fluid Service.** Welds which meet the requirements of para. 311.1, but for which examination is in accordance with para. 341.4.2,

and acceptance criteria are those in Table 341.3.2 for Category D Fluid Service, may be used only in that service.

**311.2.2 Welds for Severe Cyclic Conditions.** Welds for use under severe cyclic conditions shall meet the requirements of para. 311.1 with the exceptions that examination shall be in accordance with para. 341.4.3, and acceptance criteria shall be those in Table 341.3.2 for severe cyclic conditions.

- (12) **311.2.3 Welds for Elevated Temperature Fluid Service.** Weld joints for Elevated Temperature Fluid Service shall meet the requirements for Normal Fluid Service, unless otherwise specified.

**311.2.4 Backing Rings and Consumable Inserts**

(a) If a backing ring is used where the resulting crevice is detrimental (e.g., subject to corrosion, vibration, or severe cyclic conditions), it should be removed and the internal joint face ground smooth. When it is impractical to remove the backing ring in such a case, consideration shall be given to welding without backing rings or to the use of consumable inserts or removable nonmetallic backing rings.

(b) Split backing rings shall not be used under severe cyclic conditions.

**311.2.5 Socket Welds**

(a) Socket welded joints (para. 328.5.2) should be avoided in any service where crevice corrosion or severe erosion may occur.

(b) Socket welded joints shall conform to the following:

(1) Socket dimensions shall conform to ASME B16.5 for flanges and ASME B16.11 or MSS SP-119 for other socket-welding components.

(2) Weld dimensions shall not be less than those shown in Figs. 328.5.2B and 328.5.2C.

(c) Socket welds larger than DN 50 (NPS 2) shall not be used under severe cyclic conditions.

(d) A drain or bypass in a component may be attached by socket welding, provided the socket dimensions conform to Fig. 4 in ASME B16.5.

**311.2.6 Fillet Welds**

(a) Fillet welds in accordance with para. 328.5.2 may be used as primary welds to attach socket welding components and slip-on flanges.

(b) Fillet welds may also be used to attach reinforcement and structural attachments, to supplement the strength or reduce stress concentration of primary welds, and to prevent disassembly of joints.

**311.2.7 Seal Welds.** Seal welds (para. 328.5.3) may be used only to prevent leakage of threaded joints and shall not be considered as contributing any strength to the joints.

**312 FLANGED JOINTS**

**312.1 Joints Using Flanges of Different Ratings**

Where flanges of different ratings are bolted together, the rating of the joint shall not exceed that of the lower rated flange. Bolting torque shall be limited so that excessive loads will not be imposed on the lower rated flange in obtaining a tight joint.

**312.2 Metal to Nonmetal Flanged Joints**

Where a metallic flange is bolted to a nonmetallic flange, both should be flat-faced. A full-faced gasket is preferred. If a gasket extending only to the inner edge of the bolts is used, bolting torque shall be limited so that the nonmetallic flange is not overloaded.

**313 EXPANDED JOINTS**

(a) Expanded joints shall not be used under severe cyclic conditions. For other services, adequate means shall be provided to prevent separation of the joint. If the fluid is toxic or damaging to human tissue, safeguarding is required.

(b) Consideration shall be given to the tightness of expanded joints when subjected to vibration, differential expansion or contraction due to temperature cycling, or external mechanical loads.

**314 THREADED JOINTS**

**314.1 General**

Threaded joints are suitable for Normal Fluid Service except as stated elsewhere in para. 314. They may be used under severe cyclic conditions only as provided in paras. 314.2.1(c) and 314.2.2.

(a) Threaded joints should be avoided in any service where crevice corrosion, severe erosion, or cyclic loading may occur.

(b) When threaded joints are intended to be seal welded, thread sealing compound shall not be used.

(c) Layout of piping employing threaded joints should, insofar as possible, minimize stress on joints, giving special consideration to stresses due to thermal expansion and operation of valves (particularly a valve at a free end). Provision should be made to counteract forces that would tend to unscrew the joints.

(d) Except for specially designed joints employing lens rings or similar gaskets, threaded flanges in which the pipe ends project through to serve as the gasket surface may be used only for Category D Fluid Service.

**314.2 Specific Requirements**

**314.2.1 Taper-Threaded Joints.** Requirements in (a) through (c) below apply to joints in which the threads of both mating components conform to ASME B1.20.1.

**Table 314.2.1 Minimum Thickness of External Threaded Components**

Fluid Service	Notch-Sensitive Material	Size Range [Note (1)]		Min. Wall Thickness [Note (2)]
		DN	NPS	
Normal	Yes [Note (3)]	≤ 40	≤ 1½	Sch. 80
		50	2	Sch. 40
		65–150	2½–6	Sch. 40
Normal	No [Note (4)]	≤ 50	≤ 2	Sch. 40S
		65–150	2½–6	Sch. 40S
Category D	Either	≤ 300	≤ 12	In accordance with para. 304.1.1

GENERAL NOTE: Use the greater of para. 304.1.1 or thickness shown in this Table.

NOTES:

- (1) For sizes > DN 50 (NPS 2), the joint shall be safeguarded (see Appendix G) for a fluid service that is flammable, toxic, or damaging to human tissue.
- (2) Nominal wall thicknesses is listed for Sch. 40 and 80 in ASME B36.10M and for Sch. 40S in ASME B36.19M.
- (3) For example, carbon steel.
- (4) For example, austenitic stainless steel.

(a) External threaded components may be used in accordance with Table 314.2.1 and its Notes.

(b) Internal threaded components shall be at least equivalent in strength and toughness to threaded components listed in Table 326.1 and otherwise suitable for the service.

(c) Threaded components of a specialty nature which are not subject to external moment loading, such as thermometer wells, may be used under severe cyclic conditions.

(d) A coupling having straight threads may be used only for Category D Fluid Service, and only with taper-threaded mating components.

**314.2.2 Straight-Threaded Joints.** Threaded joints in which the tightness of the joint is provided by a seating surface other than the threads (e.g., a union comprising male and female ends joined with a threaded union nut, or other constructions shown typically in Fig. 335.3.3) may be used. If such joints are used under severe cyclic conditions and are subject to external moment loadings, safeguarding is required.

## 315 TUBING JOINTS

### 315.1 General

In selecting and applying flared, flareless, and compression type tubing fittings, the designer shall consider the possible adverse effects on the joints of such factors as assembly and disassembly, cyclic loading, vibration, shock, and thermal expansion and contraction.

### 315.2 Joints Conforming to Listed Standards

Joints using flared, flareless, or compression type tubing fittings covered by listed standards may be used in Normal Fluid Service provided that

(a) the fittings and joints are suitable for the tubing with which they are to be used (considering maximum and minimum wall thickness) and are used within the pressure–temperature limitations of the fitting and the joint

(b) the joints are safeguarded when used under severe cyclic conditions

### 315.3 Joints Not Conforming to Listed Standards

Joints using flared, flareless, or compression type tubing fittings not listed in Table 326.1 may be used in accordance with para. 315.2 provided that the type of fitting selected is also adequate for pressure and other loadings. The design shall be qualified as required by para. 304.7.2.

## 316 CAULKED JOINTS

Caulked joints such as bell type joints shall be limited to Category D Fluid Service and to a temperature not over 93°C (200°F). They shall be used within the pressure–temperature limitations of the joint and pipe. Provisions shall be made to prevent disengagement of joints, to prevent buckling of the piping, and to sustain lateral reactions produced by branch connections or other causes.

## 317 SOLDERED AND BRAZED JOINTS

### 317.1 Soldered Joints

Soldered joints shall be made in accordance with the provisions of para. 333 and may be used only in Category D fluid service. Fillet joints made with solder metal are not permitted. The low melting point of solder shall be considered where possible exposure to fire or elevated temperature is involved.

### 317.2 Brazed and Braze Welded Joints

(a) Brazed and braze welded joints made in accordance with the provisions in para. 333 are suitable for Normal Fluid Service. They shall be safeguarded in fluid services which are flammable, toxic, or damaging to human tissue. They shall not be used under severe cyclic conditions. The melting point of brazing alloys shall be considered where possible exposure to fire is involved.

(b) Fillet joints made with brazing filler metal are not permitted.

## 318 SPECIAL JOINTS

Special joints are those not covered elsewhere in Chapter II, Part 4, such as bell type and packed gland type joints.

### 318.1 General

**318.1.1 Listed Joints.** Joints using listed components are suitable for Normal Fluid Service.

**318.1.2 Unlisted Joints.** For joints that utilize unlisted components, pressure design shall be qualified as required by para. 304.7.2.

### 318.2 Specific Requirements

**318.2.1 Joint Integrity.** Separation of the joint shall be prevented by a means which has sufficient strength to withstand anticipated conditions of service.

**318.2.2 Joint Interlocks.** Either mechanical or welded interlocks shall be provided to prevent separation of any joint used for a fluid service which is flammable, toxic, or damaging to human tissues, of any joint to be used under severe cyclic conditions, and of any joint exposed to temperatures in the creep range.

**318.2.3 Bell and Gland Type Joints.** If not covered in para. 316, bell type and gland type joints used under severe cyclic conditions require safeguarding.

## PART 5 FLEXIBILITY AND SUPPORT

### 319 PIPING FLEXIBILITY

#### 319.1 Requirements

**319.1.1 Basic Requirements.** Piping systems shall have sufficient flexibility to prevent thermal expansion or contraction or movements of piping supports and terminals from causing

(a) failure of piping or supports from overstress or fatigue

(b) leakage at joints

(c) detrimental stresses or distortion in piping and valves or in connected equipment (pumps and turbines, for example), resulting from excessive thrusts and moments in the piping

**319.1.2 Specific Requirements.** In para. 319, concepts, data, and methods are given for determining the requirements for flexibility in a piping system and for assuring that the system meets all of these requirements. In brief, these requirements are that

(a) the computed stress range at any point due to displacements in the system shall not exceed the allowable stress range established in para. 302.3.5

(b) reaction forces computed in para. 319.5 shall not be detrimental to supports or connected equipment

(c) computed movement of the piping shall be within any prescribed limits, and properly accounted for in the flexibility calculations

If it is determined that a piping system does not have adequate inherent flexibility, means for increasing flexibility shall be provided in accordance with para. 319.7.

Alternative rules for evaluating the stress range are provided in Appendix P.

#### 319.2 Concepts

Concepts characteristic of piping flexibility analysis are covered in the following paragraphs. Special consideration is given to displacements (strains) in the piping system, and to resultant bending and torsional stresses.

##### 319.2.1 Displacement Strains

(a) *Thermal Displacements.* A piping system will undergo dimensional changes with any change in temperature. If it is constrained from free expansion or contraction by connected equipment and restraints such as guides and anchors, it will be displaced from its unrestrained position.

(b) *Restraint Flexibility.* If restraints are not considered rigid, their flexibility may be considered in determining displacement stress range and reactions.

(c) *Externally Imposed Displacements.* Externally caused movement of restraints will impose displacements on the piping in addition to those related to thermal effects. Movements may result from tidal changes (dock piping), wind sway (e.g., piping supported from a tall slender tower), or temperature changes in connected equipment.

Movement due to earth settlement, since it is a single cycle effect, will not significantly influence fatigue life. A displacement stress range greater than that permitted by para. 302.3.5(d) may be allowable if due consideration is given to avoidance of excessive localized strain and end reactions.

(d) *Total Displacement Strains.* Thermal displacements, reaction displacements, and externally imposed displacements all have equivalent effects on the piping system, and shall be considered together in determining the total displacement strains (proportional deformation) in various parts of the piping system.

##### 319.2.2 Displacement Stresses

(a) *Elastic Behavior.* Stresses may be considered proportional to the total displacement strains in a piping system in which the strains are well-distributed and not excessive at any point (a balanced system). Layout of systems should aim for such a condition, which is assumed in flexibility analysis methods provided in this Code.

(b) *Overstrained Behavior.* Stresses cannot be considered proportional to displacement strains throughout a piping system in which an excessive amount of strain may occur in localized portions of the system (an unbalanced system). Operation of an unbalanced system in the creep range may aggravate the deleterious effects due to creep strain accumulation in the most susceptible regions of the system. Unbalance may result from one or more of the following:

(1) highly stressed small size pipe runs in series with large or relatively stiff pipe runs.



(2) a local reduction in size or wall thickness, or local use of material having reduced yield strength (for example, girth welds of substantially lower strength than the base metal).

(3) a line configuration in a system of uniform size in which the expansion or contraction must be absorbed largely in a short offset from the major portion of the run.

(4) variation of piping material or temperature in a line. When differences in the elastic modulus within a piping system will significantly affect the stress distribution, the resulting displacement stresses shall be computed based on the actual elastic moduli at the respective operating temperatures for each segment in the system and then multiplied by the ratio of the elastic modulus at ambient temperature to the modulus used in the analysis for each segment.

Unbalance should be avoided or minimized by design and layout of piping systems, particularly those using materials of low ductility. Many of the effects of unbalance can be mitigated by selective use of cold spring. If unbalance cannot be avoided, the designer shall use appropriate analytical methods in accordance with para. 319.4 to assure adequate flexibility as defined in para. 319.1.

### (12) 319.2.3 Displacement Stress Range

(a) In contrast with stresses from sustained loads, such as internal pressure or weight, displacement stresses may be permitted to attain sufficient magnitude to cause local yielding in various portions of a piping system. When the system is initially operated at the condition of greatest displacement (highest or lowest temperature, or greatest imposed movement) from its installed condition, any yielding or creep brings about a reduction or relaxation of stress. When the system is later returned to its original condition (or a condition of opposite displacement), a reversal and redistribution of stresses occurs which is referred to as self-springing. It is similar to cold springing in its effects.

(b) While stresses resulting from displacement strains diminish with time due to yielding or creep, the algebraic difference between strains in the extreme displacement condition and the original (as-installed) condition (or any anticipated condition with a greater differential effect) remains substantially constant during any one cycle of operation. This difference in strains produces a corresponding stress differential, the displacement stress range, which is used as the criterion in the design of piping for flexibility. See para. 302.3.5(d) for the allowable stress range,  $S_A$ , and para. 319.4.4(a) for the computed stress range,  $S_E$ .

**319.2.4 Cold Spring.** Cold spring is the intentional deformation of piping during assembly to produce a desired initial displacement and stress. Cold spring is beneficial in that it serves to balance the magnitude of

stress under initial and extreme displacement conditions. When cold spring is properly applied there is less likelihood of overstrain during initial operation; hence, it is recommended especially for piping materials of limited ductility. There is also less deviation from as-installed dimensions during initial operation, so that hangers will not be displaced as far from their original settings.

Inasmuch as the service life of a piping system is affected more by the range of stress variation than by the magnitude of stress at a given time, no credit for cold spring is permitted in stress range calculations. However, in calculating the thrusts and moments where actual reactions as well as their range of variations are significant, credit is given for cold spring.

### 319.3 Properties for Flexibility Analysis

The following paragraphs deal with properties of piping materials and their application in piping flexibility stress analysis.

#### 319.3.1 Thermal Expansion Data

(a) *Values for Stress Range.* Values of thermal displacements to be used in determining total displacement strains for computing the stress range shall be determined from Appendix C as the algebraic difference between the value at maximum metal temperature and that at the minimum metal temperature for the thermal cycle under analysis.

(b) *Values for Reactions.* Values of thermal displacements to be used in determining total displacement strains for computation of reactions on supports and connected equipment shall be determined as the algebraic difference between the value at maximum (or minimum) temperature for the thermal cycle under analysis and the value at the temperature expected during installation.

**319.3.2 Modulus of Elasticity.** The reference modulus of elasticity at 21°C (70°F),  $E_a$ , and the modulus of elasticity at maximum or minimum temperature,  $E_m$ , shall be taken as the values shown in Appendix C for the temperatures determined in para. 319.3.1(a) or (b). For materials not included in Appendix C, reference shall be made to authoritative source data, such as publications of the National Institute of Standards and Technology.

**319.3.3 Poisson's Ratio.** Poisson's ratio may be taken as 0.3 at all temperatures for all metals. More accurate and authoritative data may be used if available.

#### 319.3.4 Allowable Stresses

(a) The allowable displacement stress range,  $S_A$ , and permissible additive stresses shall be as specified in para. 302.3.5(d) for systems primarily stressed in bending and/or torsion.

(b) The stress intensification factors in Appendix D have been developed from fatigue tests of representative

piping components and assemblies manufactured from ductile ferrous materials. The allowable displacement stress range is based on tests of carbon and austenitic stainless steels. Caution should be exercised when using eqs. (1a) and (1b) (para. 302.3.5) for allowable displacement stress range for some nonferrous materials (e.g., certain copper and aluminum alloys) for other than low cycle applications.

**319.3.5 Dimensions.** Nominal thicknesses and outside diameters of pipe and fittings shall be used in flexibility calculations.

(12) **319.3.6 Flexibility and Stress Intensification Factors.** The flexibility factors,  $k$ , and stress intensification factors,  $i$ , shall not be less than unity. In the absence of more directly applicable data, the flexibility factor,  $k$ , and stress intensification factor,  $i$ , shown in Appendix D shall be used for flexibility calculations described in para. 319.4.

Stress intensification factors may be developed in accordance with ASME B31J.

For piping components or attachments (such as valves, strainers, anchor rings, or bands) not covered in Table D300, suitable stress intensification factors may be assumed by comparison of their significant geometry with that of the components shown. The validity of any assumptions is the responsibility of the designer. If two or more of the geometries shown in Appendix D are combined, their combined  $k$  and  $i$  might be significantly different from the values shown. Examples include trunnions on elbows and branch connection fittings welded to anything other than straight pipe.

## 319.4 Flexibility Analysis

**319.4.1 Formal Analysis Not Required.** No formal analysis of adequate flexibility is required for a piping system which

(a) duplicates, or replaces without significant change, a system operating with a successful service record

(b) can readily be judged adequate by comparison with previously analyzed systems

(c) is of uniform size, has no more than two points of fixation, no intermediate restraints, and falls within the limitations of empirical eq. (16)<sup>9</sup>

$$\frac{Dy}{(L - U)^2} \leq K_1 \quad (16)$$

<sup>9</sup> **WARNING:** No general proof can be offered that this equation will yield accurate or consistently conservative results. It is not applicable to systems used under severe cyclic conditions. It should be used with caution in configurations such as unequal leg U-bends or near-straight "sawtooth" runs, or for large thin-wall pipe ( $i \geq 5$ ), or where extraneous displacements (not in the direction connecting anchor points) constitute a large part of the total displacement. There is no assurance that terminal reactions will be acceptably low, even if a piping system falls within the limitations of eq. (16).

where

$D$  = outside diameter of pipe, mm (in.)

$E_a$  = reference modulus of elasticity at 21°C (70°F), MPa (ksi)

$K_1$  = 208 000  $S_A/E_a$ , (mm/m)<sup>2</sup>  
= 30  $S_A/E_a$ , (in./ft)<sup>2</sup>

$L$  = developed length of piping between anchors, m (ft)

$S_A$  = allowable displacement stress range in accordance with eq. (1a), MPa (ksi)

$U$  = anchor distance, straight line between anchors, m (ft)

$y$  = resultant of total displacement strains, mm (in.), to be absorbed by the piping system

### 319.4.2 Formal Analysis Requirements

(a) Any piping system which does not meet the criteria in para. 319.4.1 shall be analyzed by a simplified, approximate, or comprehensive method of analysis, as appropriate.

(b) A simplified or approximate method may be applied only if used within the range of configurations for which its adequacy has been demonstrated.

(c) Acceptable comprehensive methods of analysis include analytical and chart methods which provide an evaluation of the forces, moments, and stresses caused by displacement strains (see para. 319.2.1).

(d) Comprehensive analysis shall take into account stress intensification factors for any component other than straight pipe. Credit may be taken for the extra flexibility of such a component.

### 319.4.3 Basic Assumptions and Requirements.

Standard assumptions specified in para. 319.3 shall be followed in all cases. In calculating the flexibility of a piping system between anchor points, the system shall be treated as a whole. The significance of all parts of the line and of all restraints introduced for the purpose of reducing moments and forces on equipment or small branch lines, and also the restraint introduced by support friction, shall be recognized. Consider all displacements, as outlined in para. 319.2.1, over the temperature range defined by para. 319.3.1.

### 319.4.4 Flexibility Stresses

(12)

(a) The range of bending and torsional stresses shall be computed using the reference modulus of elasticity at 21°C (70°F),  $E_a$ , except as provided in para. 319.2.2(b)(4), and then combined in accordance with eq. (17) to determine the computed displacement stress range,  $S_E$ , which shall not exceed the allowable stress range,  $S_A$ , in para. 302.3.5(d).

$$S_E = \sqrt{(|S_a| + S_b)^2 + (2S_t)^2} \quad (17)$$

where

$A_p$  = cross-sectional area of pipe; see para. 319.3.5

- $F_a$  = range of axial forces due to displacement strains between any two conditions being evaluated
- $i_a$  = axial stress intensification factor. In the absence of more applicable data,  $i_a = 1.0$  for elbows, pipe bends, and miter bends (single, closely spaced, and widely spaced), and  $i_a = i_o$  (or  $i$  when listed) in Appendix D for other components; see also para. 319.3.6.
- $i_t$  = torsional stress intensification factor. In the absence of more applicable data,  $i_t = 1.0$ ; also see para. 319.3.6.
- $M_t$  = torsional moment
- $S_a$  = axial stress range due to displacement strains  
=  $i_a F_a / A_p$
- $S_b$  = resultant bending stress
- $S_t$  = torsional stress  
=  $i_t M_t / 2Z$
- $Z$  = section modulus of pipe

(b) The resultant bending stresses,  $S_b$ , to be used in eq. (17) for elbows, miter bends, and full size outlet branch connections (Legs 1, 2, and 3) shall be calculated in accordance with eq. (18), with moments as shown in Figs. 319.4.4A and 319.4.4B.

$$S_b = \frac{\sqrt{(i_i M_i)^2 + (i_o M_o)^2}}{Z} \quad (18)$$

where

- $i_i$  = in-plane stress intensification factor from Appendix D
- $i_o$  = out-plane stress intensification factor from Appendix D
- $M_i$  = in-plane bending moment
- $M_o$  = out-plane bending moment
- $S_b$  = resultant bending stress
- $Z$  = section modulus of pipe

(c) The resultant bending stress,  $S_b$ , to be used in eq. (17) for reducing outlet branch connections shall be calculated in accordance with eqs. (19) and (20), with moments as shown in Fig. 319.4.4B.

For header (Legs 1 and 2)

$$S_b = \frac{\sqrt{(i_i M_i)^2 + (i_o M_o)^2}}{Z} \quad (19)$$

For branch (Leg 3)

$$S_b = \frac{\sqrt{(i_i M_i)^2 + (i_o M_o)^2}}{Z_e} \quad (20)$$

where

- $i_i$  = in-plane stress intensification factor (Appendix D)
- $i_o$  = out-plane stress intensification factor (Appendix D)

- $r_2$  = mean branch cross-sectional radius
- $S_b$  = resultant bending stress
- $\bar{T}_b$  = thickness of pipe matching branch
- $\bar{T}_h$  = thickness of pipe matching run of tee or header exclusive of reinforcing elements
- $T_S$  = effective branch wall thickness, lesser of  $\bar{T}_h$  and  $(i_i)(\bar{T}_b)$
- $Z_e$  = effective section modulus for branch  
=  $\pi r_2^2 T_S$

**319.4.5 Required Weld Quality Assurance.** Any weld at which  $S_E$  exceeds  $0.8S_A$  (as defined in para. 302.3.5) and the equivalent number of cycles  $N$  exceeds 7 000 shall be fully examined in accordance with para. 341.4.3.

### 319.5 Reactions

Reaction forces and moments to be used in design of restraints and supports for a piping system, and in evaluating the effects of piping displacements on connected equipment, shall be based on the reaction range  $R$  for the extreme displacement conditions, considering the temperature range defined in para. 319.3.1(b), and using  $E_a$ . The designer shall consider instantaneous maximum values of forces and moments in the original and extreme displacement conditions (see para. 319.2.3), as well as the reaction range, in making these evaluations.

#### 319.5.1 Maximum Reactions for Simple Systems.

For a two-anchor piping system without intermediate restraints, the maximum instantaneous values of reaction forces and moments may be estimated from eqs. (21) and (22).

(a) For Extreme Displacement Conditions,  $R_m$ . The temperature for this computation is the maximum or minimum metal temperature defined in para. 319.3.1(b), whichever produces the larger reaction:

$$R_m = R \left( 1 - \frac{2C}{3} \right) \frac{E_m}{E_a} \quad (21)$$

where

- $C$  = cold-spring factor varying from zero for no cold spring to 1.0 for 100% cold spring. (The factor two-thirds is based on experience which shows that specified cold spring cannot be fully assured, even with elaborate precautions.)
- $E_a$  = reference modulus of elasticity at 21°C (70°F)
- $E_m$  = modulus of elasticity at maximum or minimum metal temperature
- $R$  = range of reaction forces or moments (derived from flexibility analysis) corresponding to the full displacement stress range and based on  $E_a$
- $R_m$  = estimated instantaneous maximum reaction force or moment at maximum or minimum metal temperature

Fig. 319.4.4A Moments in Bends

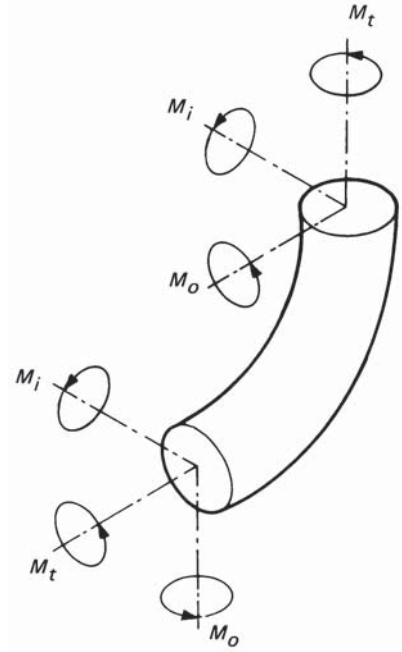
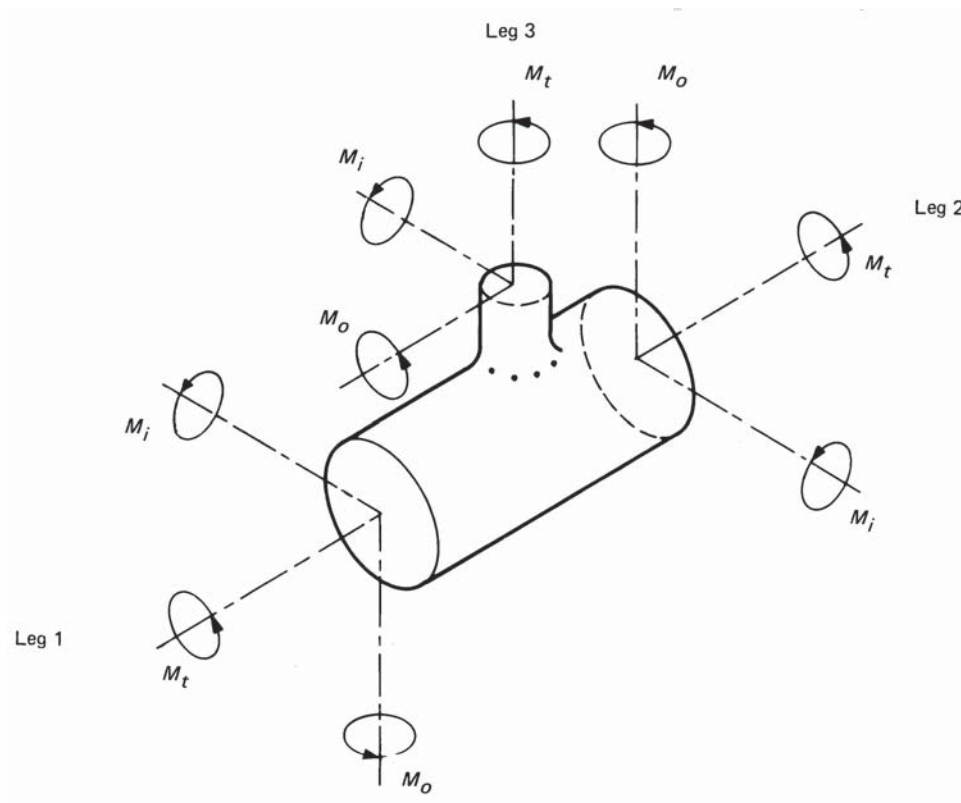


Fig. 319.4.4B Moments in Branch Connections



(b) For Original Condition,  $R_a$ . The temperature for this computation is the expected temperature at which the piping is to be assembled.

$$R_a = CR \text{ or } C_1R, \text{ whichever is greater}$$

where nomenclature is as in para. 319.5.1(a) and

$$C_1 = 1 - \frac{S_h E_a}{S_E E_m} \quad (22)$$

= estimated self-spring or relaxation factor; use zero if value of  $C_1$  is negative

$R_a$  = estimated instantaneous reaction force or moment at installation temperature

$S_E$  = computed displacement stress range (see para. 319.4.4)

$S_h$  = see definition in para. 302.3.5(d)

### 319.5.2 Maximum Reactions for Complex Systems.

For multi-anchor piping systems and for two-anchor systems with intermediate restraints, eqs. (21) and (22) are not applicable. Each case must be studied to estimate location, nature, and extent of local overstrain, and its effect on stress distribution and reactions.

### 319.6 Calculation of Movements

Calculations of displacements and rotations at specific locations may be required where clearance problems are involved. In cases where small-size branch pipes attached to stiffer run pipes are to be calculated separately, the linear and angular movements of the junction point must be calculated or estimated for proper analysis of the branch.

### 319.7 Means of Increasing Flexibility

The layout of piping often provides inherent flexibility through changes in direction, so that displacements produce chiefly bending and torsional strains within prescribed limits. The amount of axial tension or compression strain (which produces large reactions) usually is small.

Where the piping lacks built-in changes of direction, or where it is unbalanced [see para. 319.2.2(b)], large reactions or detrimental overstrain may be encountered. The designer should consider adding flexibility by one or more of the following means: bends, loops, or offsets; swivel joints; corrugated pipe; expansion joints of the bellows or slip-joint type; or other devices permitting angular, rotational, or axial movement. Suitable anchors, ties, or other devices shall be provided as necessary to resist end forces produced by fluid pressure, frictional resistance to movement, and other causes. When expansion joints or other similar devices are provided, the stiffness of the joint or device should be considered in any flexibility analysis of the piping.

## 320 ANALYSIS OF SUSTAINED LOADS

### 320.1 Basic Assumptions and Requirements

Sustained conditions may be evaluated by detailed analysis, approximate methods, or simplified means such as span tables. When detailed analysis is performed, the stress due to sustained loads,  $S_L$ , shall be computed and combined as described in this paragraph and shall not exceed the allowable described in para. 302.3.5(c). See Appendix S, Example 2 for guidance on loading conditions and support scenarios that result in the greatest  $S_L$  for each operating condition being considered. The loads due to weight should be based on the nominal thickness of all system components unless otherwise justified in a more rigorous analysis. Section moduli used to compute the stresses in this paragraph shall be based on nominal pipe dimensions less allowances, i.e., the sum of mechanical (thread or groove depth), internal and external corrosion, and erosion allowances. Areas used to compute the stresses in this paragraph assume nominal pipe dimensions less allowances affecting the inside diameter of the pipe, i.e., the sum of mechanical and internal corrosion and erosion allowances. It is the responsibility of the designer to determine sustained stress indices,  $I_a$ ,  $I_i$ ,  $I_o$ , and  $I_t$ , when a piping component is not explicitly addressed in Appendix D, e.g., base-ells, reducing elbows, crosses, close proximity findings, etc., as well as elbows, pipe bends, or miters other than 90 deg or supported by a trunnion. Sustained stress indices shall not be lower than 1.00.

### 320.2 Stress Due to Sustained Loads

The equation for the stress due to sustained loads, such as pressure and weight,  $S_L$ , is provided in eq. (23a). The equation for the stress due to sustained bending moments,  $S_b$ , is provided in eq. (23b).

$$S_L = \sqrt{(|S_a| + S_b)^2 + (2S_t)^2} \quad (23a)$$

$$S_b = \frac{\sqrt{(I_i M_i)^2 + (I_o M_o)^2}}{Z} \quad (23b)$$

where

$I_i$  = sustained in-plane moment index. In the absence of more applicable data,  $I_i$  is taken as the greater of  $0.75i_i$  or 1.00.

$I_o$  = sustained out-plane moment index. In the absence of more applicable data,  $I_o$  is taken as the greater of  $0.75i_o$  or 1.00.

$M_i$  = in-plane moment due to sustained loads, e.g., pressure and weight

$M_o$  = out-plane moment due to sustained loads, e.g., pressure and weight

$Z$  = sustained section modulus.  $Z$  in eqs. (23b) and (23c) is described in para. 319.4.4 but is computed in this paragraph using nominal pipe dimensions less allowances; see para. 320.1.

The equation for the stress due to sustained torsional moment,  $S_t$ , is

$$S_t = \frac{I_t M_t}{2Z} \quad (23c)$$

where

$I_t$  = sustained torsional moment index. In the absence of more applicable data,  $I_t$  is taken as 1.00.

$M_t$  = torsional moment due to sustained loads, e.g., pressure and weight

The equation for the stress due to sustained longitudinal force,  $S_a$ , is

$$S_a = \frac{I_a F_a}{A_p} \quad (23d)$$

where

$A_p$  = cross-sectional area of the pipe, considering nominal pipe dimensions less allowances; see para. 320.1

$F_a$  = longitudinal force due to sustained loads, e.g., pressure and weight

$I_a$  = sustained longitudinal force index. In the absence of more applicable data,  $I_a$  is taken as 1.00.

The sustained longitudinal force,  $F_a$ , includes the sustained force due to pressure, which is  $P_j A_f$  unless the piping system includes an expansion joint that is not designed to carry this force itself, where  $P_j$  is the internal operating pressure for the condition being considered,  $A_f = \pi d^2/4$ , and  $d$  is the pipe inside diameter considering pipe wall thickness less applicable allowances; see para. 320.1. For piping systems that contain expansion joints, it is the responsibility of the designer to determine the sustained longitudinal force due to pressure in the piping system.

## 321 PIPING SUPPORT

### 321.1 General

The design of support structures (not covered by this Code) and of supporting elements (see definitions of piping and pipe supporting elements in para. 300.2) shall be based on all concurrently acting loads transmitted into such supports. These loads, defined in para. 301, include weight effects, loads introduced by service pressures and temperatures, vibration, wind, earthquake, shock, and displacement strain (see para. 319.2.2).

For piping containing gas or vapor, weight calculations need not include the weight of liquid if the designer has

taken specific precautions against entrance of liquid into the piping, and if the piping is not to be subjected to hydrostatic testing at initial construction or subsequent inspections.

**321.1.1 Objectives.** The layout and design of piping and its supporting elements shall be directed toward preventing the following:

- (a) piping stresses in excess of those permitted in this Code
- (b) leakage at joints
- (c) excessive thrusts and moments on connected equipment (such as pumps and turbines)
- (d) excessive stresses in the supporting (or restraining) elements
- (e) resonance with imposed or fluid-induced vibrations
- (f) excessive interference with thermal expansion and contraction in piping which is otherwise adequately flexible
- (g) unintentional disengagement of piping from its supports
- (h) excessive piping sag in piping requiring drainage slope
- (i) excessive distortion or sag of piping (e.g., thermoplastics) subject to creep under conditions of repeated thermal cycling
- (j) excessive heat flow, exposing supporting elements to temperature extremes outside their design limits

**321.1.2 Analysis.** In general, the location and design of pipe supporting elements may be based on simple calculations and engineering judgment. However, when a more refined analysis is required and a piping analysis, which may include support stiffness, is made, the stresses, moments, and reactions determined thereby shall be used in the design of supporting elements.

### 321.1.3 Stresses for Pipe Supporting Elements.

Allowable stresses for materials used for pipe supporting elements, except springs, shall be in accordance with para. 302.3.1. Longitudinal weld joint factors,  $E_j$ , however, need not be applied to the allowable stresses for welded piping components which are to be used for pipe supporting elements.

### 321.1.4 Materials

(a) Permanent supports and restraints shall be of material suitable for the service conditions. If steel is cold-formed to a centerline radius less than twice its thickness, it shall be annealed or normalized after forming.

(b) Cast, ductile, and malleable iron may be used for rollers, roller bases, anchor bases, and other supporting elements subject chiefly to compressive loading. Cast iron is not recommended if the piping may be subject

to impact-type loading resulting from pulsation or vibration. Ductile and malleable iron may be used for pipe and beam clamps, hanger flanges, clips, brackets, and swivel rings.

(c) Steel of an unknown specification may be used for pipe supporting elements that are not welded directly to pressure containing piping components. (Compatible intermediate materials of known specification may be welded directly to such components.) Basic allowable stress in tension or compression shall not exceed 82 MPa (12 ksi) and the support temperature shall be within the range of  $-29^{\circ}\text{C}$  to  $343^{\circ}\text{C}$  ( $-20^{\circ}\text{F}$  to  $650^{\circ}\text{F}$ ). For stress values in shear and bearing, see para. 302.3.1(b).

(d) Wood or other materials may be used for pipe supporting elements, provided the supporting element is properly designed, considering temperature, strength, and durability.

(e) Attachments welded or bonded to the piping shall be of a material compatible with the piping and service. For other requirements, see para. 321.3.2.

**321.1.5 Threads.** Screw threads shall conform to ASME B1.1 unless other threads are required for adjustment under heavy loads. Turnbuckles and adjusting nuts shall have the full length of internal threads engaged. Any threaded adjustment shall be provided with a lock-nut, unless locked by other means.

## 321.2 Fixtures

### 321.2.1 Anchors and Guides

(a) A supporting element used as an anchor shall be designed to maintain an essentially fixed position.

(b) To protect terminal equipment or other (weaker) portions of the system, restraints (such as anchors and guides) shall be provided where necessary to control movement or to direct expansion into those portions of the system which are designed to absorb them. The design, arrangement, and location of restraints shall ensure that expansion joint movements occur in the directions for which the joint is designed. In addition to the other thermal forces and moments, the effects of friction in other supports of the system shall be considered in the design of such anchors and guides.

(c) Piping layout, anchors, restraints, guides, and supports for all types of expansion joints shall be designed in accordance with para. X301.2 of Appendix X.

### 321.2.2 Inextensible Supports Other Than Anchors and Guides<sup>10</sup>

(a) Supporting elements shall be designed to permit the free movement of piping caused by thermal expansion and contraction.

(b) Hangers include pipe and beam clamps, clips, brackets, rods, straps, chains, and other devices. They

shall be proportioned for all required loads. Safe loads for threaded parts shall be based on the root area of the threads.

(c) *Sliding Supports.* Sliding supports (or shoes) and brackets shall be designed to resist the forces due to friction in addition to the loads imposed by bearing. The dimensions of the support shall provide for the expected movement of the supported piping.

### 321.2.3 Resilient Supports<sup>10</sup>

(a) Spring supports shall be designed to exert a supporting force, at the point of attachment to the pipe, equal to the load as determined by weight balance calculations. They shall be provided with means to prevent misalignment, buckling, or eccentric loading of the springs, and to prevent unintentional disengagement of the load.

(b) Constant-support spring hangers provide a substantially uniform supporting force throughout the range of travel. The use of this type of spring hanger is advantageous at locations subject to appreciable movement with thermal changes. Hangers of this type should be selected so that their travel range exceeds expected movements.

(c) Means shall be provided to prevent overstressing spring hangers due to excessive deflections. It is recommended that all spring hangers be provided with position indicators.

**321.2.4 Counterweight Supports.** Counterweights shall be provided with stops to limit travel. Weights shall be positively secured. Chains, cables, hangers, rocker arms, or other devices used to attach the counterweight load to the piping shall be subject to the requirements of para. 321.2.2.

**321.2.5 Hydraulic Supports.** An arrangement utilizing a hydraulic cylinder may be used to give a constant supporting force. Safety devices and stops shall be provided to support the load in case of hydraulic failure.

## 321.3 Structural Attachments

External and internal attachments to piping shall be designed so that they will not cause undue flattening of the pipe, excessive localized bending stresses, or harmful thermal gradients in the pipe wall. It is important that attachments be designed to minimize stress concentration, particularly in cyclic services.

**321.3.1 Nonintegral Attachments.** Nonintegral attachments, in which the reaction between the piping and the attachment is by contact, include clamps, slings, cradles, U-bolts, saddles, straps, and clevises. If the weight of a vertical pipe is supported by a clamp, it is recommended to prevent slippage that the clamp be located below a flange, fitting, or support lugs welded to the pipe.

<sup>10</sup> Various types of inextensible (solid) and resilient supports are illustrated in MSS SP-58.

**321.3.2 Integral Attachments.** Integral attachments include plugs, ears, shoes, plates, trunnions, stanchions, structural shapes, and angle clips, cast on or welded to the piping. The material for integral attachments attached by welding shall be of good weldable quality. [See para. 321.1.4(e) for material requirements.] Pre-heating, welding, and heat treatment requirements shall be in accordance with Chapter V. Consideration shall be given to the localized stresses induced in the piping component by welding the integral attachment, as well as differential thermal displacement strains between the attachment and the component to which it is attached. Welds shall be proportioned so that the shear stresses meet the requirements of para. 302.3.1(b). If the allowed stress values differ between the piping component and the attachment material, the lower of the two values shall be used.

(a) Integral reinforcement, complete encirclement reinforcement, or intermediate pads of suitable alloy and design may be used to reduce contamination or undesirable heat effects in alloy piping.

(b) Intermediate pads, integral reinforcement, complete encirclement reinforcement, or other means of reinforcement may be used to distribute stresses.

#### 321.4 Structural Connections

The load from piping and pipe supporting elements (including restraints and braces) shall be suitably transmitted to a pressure vessel, building, platform, support structure, foundation, or to other piping capable of bearing the load without deleterious effects. See Appendix F, para. F321.4.

## PART 6 SYSTEMS

### 322 SPECIFIC PIPING SYSTEMS

#### 322.3 Instrument Piping

**322.3.1 Definition.** Instrument piping within the scope of this Code includes all piping and piping components used to connect instruments to other piping or equipment, and control piping used to connect air or hydraulically operated control apparatus. It does not include instruments, or permanently sealed fluid-filled tubing systems furnished with instruments as temperature or pressure responsive devices.

**322.3.2 Requirements.** Instrument piping shall meet the applicable requirements of the Code and the following:

(a) The design pressure and temperature for instrument piping shall be determined in accordance with para. 301. If more severe conditions are experienced during blowdown of the piping, they may be treated as occasional variations in accordance with para. 302.2.4.

(b) Consideration shall be given to the mechanical strength (including fatigue) of small instrument connections to piping or apparatus (see para. 304.3.5).

(c) Instrument piping containing fluids which are normally static and subject to freezing shall be protected by heat tracing or other heating methods, and insulation.

(d) If it will be necessary to blow down (or bleed) instrument piping containing toxic or flammable fluids, consideration shall be given to safe disposal.

#### 322.6 Pressure Relieving Systems

Pressure relieving systems within the scope of this Code shall conform to the following requirements. See also Appendix F, para. F322.6.

**322.6.1 Stop Valves in Pressure Relief Piping.** If one or more stop valves are installed between the piping being protected and its protective device or devices, or between the protective device or devices and the point of discharge, they shall meet the requirements of (a) and either (b) or (c), below.

(a) A full-area stop valve may be installed on the inlet side of a pressure relieving device. A full area stop valve may be placed on the discharge side of a pressure relieving device when its discharge is connected to a common header with other discharge lines from other pressure relieving devices. Stop valves of less than full area may be used on both the inlet side and discharge side of pressure relieving devices as outlined herein if the stop valves are of such type and size that the increase in pressure drop will not reduce the relieving capacity below that required, nor adversely affect the proper operation of the pressure relieving device.

(b) Stop valves to be used in pressure relief piping shall be so constructed or positively controlled that the closing of the maximum number of block valves possible at one time will not reduce the pressure relieving capacity provided by the unaffected relieving devices below the required relieving capacity.

(c) As an alternative to (b) above, stop valves shall be so constructed and arranged that they can be locked or sealed in either the open or closed position. See Appendix F, para. F322.6.

**322.6.2 Pressure Relief Discharge Piping.** Discharge lines from pressure relieving safety devices shall be designed to facilitate drainage. When discharging directly to the atmosphere, discharge shall not impinge on other piping or equipment and shall be directed away from platforms and other areas used by personnel. Reactions on the piping system due to actuation of safety relief devices shall be considered, and adequate strength shall be provided to withstand these reactions.

#### 322.6.3 Pressure Relieving Devices

(a) Pressure relieving devices required by para. 301.2.2(a) shall be in accordance with the BPV Code, Section VIII, Division 1, UG-125(c), UG-126,



UG-127, and UG-132 through UG-136, excluding UG-135(e) and UG-136(c). The terms *design pressure*<sup>11</sup> and *piping system* shall be substituted for *maximum allowable working pressure* and *vessel*, respectively, in these paragraphs. The required relieving capacity of any pressure relieving device shall include consideration of all piping systems which it protects.

(b) Relief set pressure<sup>12</sup> shall be in accordance with Section VIII, Division 1, with the exceptions stated in alternatives (1) and (2), below.

---

<sup>11</sup> The *design pressure* for pressure relief is the maximum design pressure permitted, considering all components in the piping system.

<sup>12</sup> *Set pressure* is the pressure at which the device begins to relieve, e.g., lift pressure of a spring-actuated relief valve, bursting pressure of a rupture disk, or breaking pressure of a breaking pin device.

(1) With the owner's approval the set pressure may exceed the limits in Section VIII, Division 1, provided that the limit on maximum relieving pressure stated in (c) below will not be exceeded.

(2) For a liquid thermal expansion relief device which protects only a blocked-in portion of a piping system, the set pressure shall not exceed the lesser of the system test pressure or 120% of design pressure.

(c) The maximum relieving pressure<sup>13</sup> shall be in accordance with Section VIII, Division 1, with the exception that the allowances in para. 302.2.4(f) are permitted, provided that all other requirements of para. 302.2.4 are also met.

---

<sup>13</sup> *Maximum relieving pressure* is the maximum system pressure during a pressure relieving event.

## Chapter III Materials

### 323 GENERAL REQUIREMENTS

Chapter III states limitations and required qualifications for materials based on their inherent properties. Their use in piping is also subject to requirements and limitations in other parts of this Code [see para. 300(d)]. See also para. 321.1.4 for support materials, and Appendix F, para. F323, for precautionary considerations.

#### 323.1 Materials and Specifications

**323.1.1 Listed Materials.** Any material used in pressure containing piping components shall conform to a listed specification except as provided in para. 323.1.2.

**323.1.2 Unlisted Materials.** Unlisted materials may be used provided they conform to a published specification covering chemistry, physical and mechanical properties, method and process of manufacture, heat treatment, and quality control, and otherwise meet the requirements of this Code. See also ASME BPV Code Section II, Part D, Appendix 5. Allowable stresses shall be determined in accordance with the applicable allowable stress basis of this Code or a more conservative basis.

**323.1.3 Unknown Materials.** Materials of unknown specification shall not be used for pressure-containing piping components.

**323.1.4 Reclaimed Materials.** Reclaimed pipe and other piping components may be used, provided they are properly identified as conforming to a listed or published specification (para. 323.1.1 or 323.1.2) and otherwise meet the requirements of this Code. Sufficient cleaning and inspection shall be made to determine minimum wall thickness and freedom from imperfections which would be unacceptable in the intended service.

#### (12) 323.2 Temperature Limitations

The designer shall verify that materials which meet other requirements of the Code are suitable for service throughout the operating temperature range.

**323.2.1 Upper Temperature Limits, Listed Materials.** A listed material may be used at a temperature above the maximum for which a stress value or rating is shown, only if

(a) there is no prohibition in Appendix A or elsewhere in the Code

(b) the designer verifies the serviceability of the material in accordance with para. 323.2.4

#### 323.2.2 Lower Temperature Limits, Listed Materials

(a) A listed material may be used at any temperature not lower than the minimum shown in Table A-1, provided that the base metal, weld deposits, and heat-affected zone (HAZ) are qualified as required by the applicable entry in Column A of Table 323.2.2.

(b) For carbon steels with a letter designation in the Min. Temp. column of Table A-1, the minimum temperature is defined by the applicable curve and Notes in Fig. 323.2.2A. If a design minimum metal temperature-thickness combination is on or above the curve, impact testing is not required.

(c) A listed material may be used at a temperature lower than the minimum shown in Table A-1 or Fig. 323.2.2A (including Notes), unless prohibited in Table 323.2.2, Table A-1, or elsewhere in the Code, and provided that the base metal, weld deposits, and HAZ are qualified as required by the applicable entry in Column B of Table 323.2.2.

(d) Where the stress ratio defined in Fig. 323.2.2B is less than one, Fig. 323.2.2B provides a further basis for the use of carbon steels covered by paras. 323.2.2(a) and (b), without impact testing.

(1) For design minimum temperatures of  $-48^{\circ}\text{C}$  ( $-55^{\circ}\text{F}$ ) and above, the minimum design metal temperature without impact testing determined in para. 323.2.2(b), for the given material and thickness, may be reduced by the amount of the temperature reduction provided in Fig. 323.2.2B for the applicable stress ratio. If the resulting temperature is lower than the minimum design metal temperature, impact testing of the material is not required. Where this is applied, the piping system shall also comply with the following requirements:

(a) The piping shall be subjected to a hydrostatic test at no less than  $1\frac{1}{2}$  times the design pressure.

(b) Except for piping with a nominal wall thickness of 13 mm ( $\frac{1}{2}$  in.) or less, the piping system shall be safeguarded (see Appendix G) from external loads

**Table 323.2.2 Requirements for Low Temperature Toughness Tests for Metals**  
 These Toughness Test Requirements Are in Addition to Tests Required by the Material Specification

	Type of Material	Column A Design Minimum Temperature at or Above Min. Temp. in Table A-1 or Fig. 323.2.2A		Column B Design Minimum Temperature Below Min. Temp. in Table A-1 or Fig. 323.2.2A
Listed Materials	1 Gray cast iron	A-1 No additional requirements		B-1 No additional requirements
	2 Malleable and ductile cast iron; carbon steel in accordance with Note (1)	A-2 No additional requirements		B-2 Materials designated in Box 2 shall not be used.
		(a) Base Metal	(b) Weld Metal and Heat Affected Zone (HAZ) [Note (2)]	
	3 Other carbon steels, low and intermediate alloy steels, high alloy ferritic steels, duplex stainless steels	A-3 (a) No additional requirements	A-3 (b) Weld metal deposits shall be impact tested in accordance with para. 323.3 if design min. temp. < -29°C (-20°F), except as provided in Notes (3) and (5), and except as follows: for materials listed for Curves C and D of Fig. 323.2.2A, where corresponding welding consumables are qualified by impact testing at the design minimum temperature or lower in accordance with the applicable AWS specification, additional testing is not required.	B-3 Except as provided in Notes (3) and (5), heat treat base metal in accordance with applicable ASTM specification listed in para. 323.3.2; then impact test base metal, weld deposits, and HAZ in accordance with para. 323.3 [see Note (2)]. When materials are used at design min. temp. below the assigned curve as permitted by Notes (2) and (3) of Fig. 323.2.2A, weld deposits and HAZ shall be impact tested [see Note (2)].
	4 Austenitic stainless steels	A-4 (a) If: (1) carbon content by analysis > 0.1%; or (2) material is not in solution heat treated condition; then, impact test in accordance with para. 323.3 for design min. temp. < -29°C (-20°F) except as provided in Notes (3) and (6)	A-4 (b) Weld metal deposits shall be impact tested in accordance with para. 323.3 if design min. temp. < -29°C (-20°F) except as provided in para. 323.2.2 and in Notes (3) and (6)	B-4 Base metal and weld metal deposits shall be impact tested in accordance with para. 323.3. See Notes (2), (3), and (6).
	5 Austenitic ductile iron, ASTM A571	A-5 (a) No additional requirements	A-5 (b) Welding is not permitted	B-5 Base metal shall be impact tested in accordance with para. 323.3. Do not use < -196°C (-320°F). Welding is not permitted.
	6 Aluminum, copper, nickel, and their alloys; unalloyed titanium	A-6 (a) No additional requirements	A-6 (b) No additional requirements unless filler metal composition is outside the range for base metal composition; then test in accordance with column B-6	B-6 Designer shall be assured by suitable tests [see Note (4)] that base metal, weld deposits, and HAZ are suitable at the design min. temp.
Unlisted Materials	7 An unlisted material shall conform to a published specification. Where composition, heat treatment, and product form are comparable to those of a listed material, requirements for the corresponding listed material shall be met. Other unlisted materials shall be qualified as required in the applicable section of column B.			

**Table 323.2.2 Requirements for Low Temperature Toughness Tests for Metals (Cont'd)**

## NOTES:

- (1) Carbon steels conforming to the following are subject to the limitations in Box B-2: plates in accordance with ASTM A36, A283, and A570; pipe in accordance with ASTM A134 when made from these plates; structural shapes in accordance with ASTM A992; and pipe in accordance with ASTM A53 Type F and API 5L Gr. A25 butt weld.
- (2) Impact tests that meet the requirements of Table 323.3.1, which are performed as part of the weld procedure qualification, will satisfy all requirements of para. 323.2.2, and need not be repeated for production welds.
- (3) Impact testing is not required if the design minimum temperature is below  $-29^{\circ}\text{C}$  ( $-20^{\circ}\text{F}$ ) but at or above  $-104^{\circ}\text{C}$  ( $-155^{\circ}\text{F}$ ) and the stress ratio defined in Fig. 323.2.2B does not exceed 0.3.
- (4) Tests may include tensile elongation, sharp-notch tensile strength (to be compared with unnotched tensile strength), and/or other tests, conducted at or below design minimum temperature. See also para. 323.3.4.
- (5) Impact tests are not required when the maximum obtainable Charpy specimen has a width along the notch of less than 2.5 mm (0.098 in.). Under these conditions, the design minimum temperature shall not be less than the lower of  $-48^{\circ}\text{C}$  ( $-55^{\circ}\text{F}$ ) or the minimum temperature for the material in Table A-1.
- (6) Impact tests are not required when the maximum obtainable Charpy specimen has a width along the notch of less than 2.5 mm (0.098 in.).

such as maintenance loads, impact loads, and thermal shock.

(2) For design minimum temperatures lower than  $-48^{\circ}\text{C}$  ( $-55^{\circ}\text{F}$ ), impact testing is required for all materials, except as provided by Note (3) of Table 323.2.2.

(e) The allowable stress or component rating at any temperature below the minimum shown in Table A-1 or Fig. 323.2.2A shall not exceed the stress value or rating at the minimum temperature in Table A-1 or the component standard.

(f) Impact testing is not required for the following combinations of weld metals and design minimum temperatures:

(1) for austenitic stainless steel base materials having a carbon content not exceeding 0.10%, welded without filler metal, at design minimum temperatures of  $-101^{\circ}\text{C}$  ( $-150^{\circ}\text{F}$ ) and higher

(2) for austenitic weld metal

(a) having a carbon content not exceeding 0.10%, and produced with filler metals conforming to AWS A5.4, A5.9, A5.11, A5.14, or A5.22<sup>1</sup> at design minimum temperatures of  $-101^{\circ}\text{C}$  ( $-150^{\circ}\text{F}$ ) and higher, or

(b) having a carbon content exceeding 0.10%, and produced with filler metals conforming to AWS A5.4, A5.9, A5.11, A5.14, or A5.22<sup>1</sup> at design minimum temperatures of  $-48^{\circ}\text{C}$  ( $-55^{\circ}\text{F}$ ) and higher

**323.2.3 Temperature Limits, Unlisted Materials.** An unlisted material, acceptable under para. 323.1.2, shall

<sup>1</sup> Titles of referenced AWS standards are as follows: AWS A5.4, Stainless Steel Electrodes for Shielded Metal Arc Welding; AWS A5.9, Bare Stainless Steel Welding Electrodes and Rods; AWS A5.11, Nickel and Nickel Alloy Welding Electrodes for Shielded Metal Arc Welding; AWS A5.14, Nickel and Nickel Alloy Bare Welding Electrodes and Rods; and AWS A5.22, Flux Cored Corrosion-Resisting Chromium and Chromium-Nickel Steel Electrodes.

be qualified for service at all temperatures within a stated range, from design minimum temperature to design maximum temperature, in accordance with para. 323.2.4.

#### **323.2.4 Verification of Serviceability**

(a) When an unlisted material is to be used, or when a listed material is to be used above the highest temperature for which stress values appear in Appendix A, the designer is responsible for demonstrating the validity of the allowable stresses and other limits used in design and of the approach taken in using the material, including the derivation of stress data and the establishment of temperature limits.

(b) Data for the development of design limits shall be obtained from a sound scientific program carried out in accordance with recognized technology for both the material and the intended service conditions. Factors to be considered include

(1) applicability and reliability of the data, especially for extremes of the temperature range

(2) resistance of the material to deleterious effects of the fluid service and of the environment throughout the temperature range

(3) determination of allowable stresses in accordance with para. 302.3

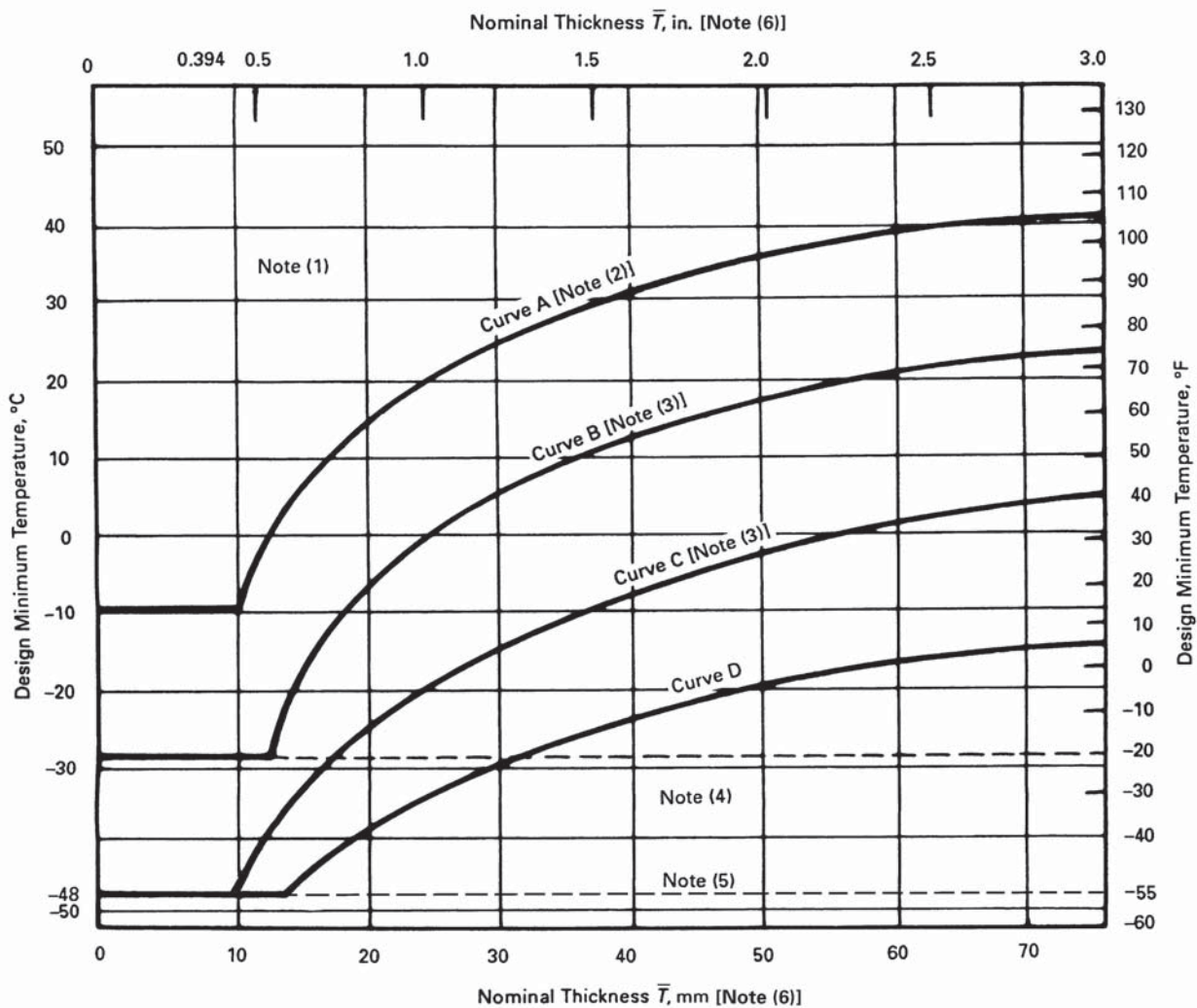
#### **323.3 Impact Testing Methods and Acceptance Criteria**

**323.3.1 General.** When impact testing is required by Table 323.2.2, provisions elsewhere in this Code, or the engineering design, it shall be done in accordance with Table 323.3.1 using the testing methods and acceptance criteria described in paras. 323.3.2 through 323.3.5.

**323.3.2 Procedure.** Impact testing of each product form of material for any specification (including welds

**Fig. 323.2.2A Minimum Temperatures Without Impact Testing for Carbon Steel Materials**  
(See Table A-1 for Designated Curve for a Listed Material; see Table 323.2.2A for Tabular Values)

(12)



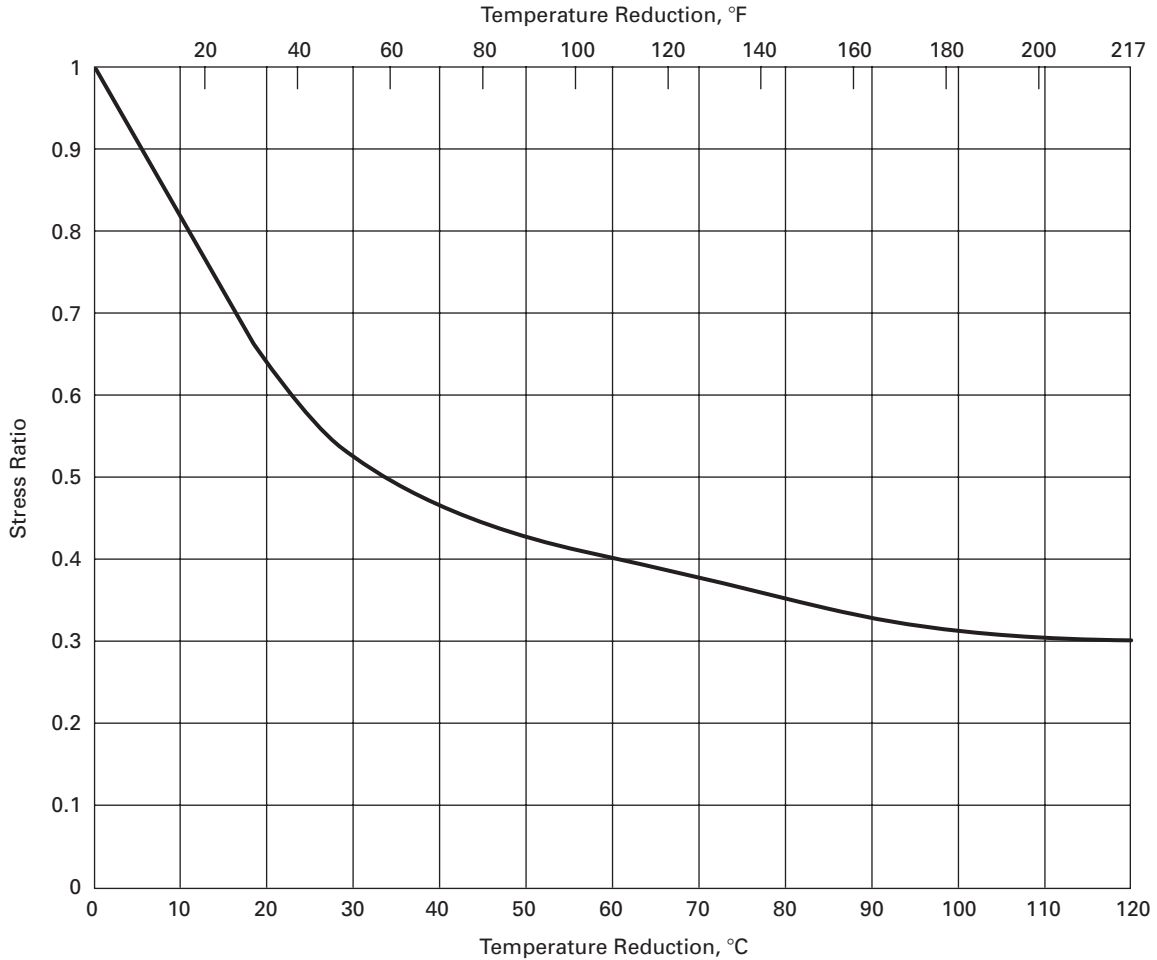
## NOTES:

- (1) Any carbon steel material may be used to a minimum temperature of  $-29^{\circ}\text{C}$  ( $-20^{\circ}\text{F}$ ) for Category D Fluid Service.
- (2) X Grades of API 5L, and ASTM A381 materials, may be used in accordance with Curve B if normalized or quenched and tempered.
- (3) The following materials may be used in accordance with Curve D if normalized:
  - (a) ASTM A516 plate, all grades
  - (b) ASTM A671 pipe made from A516 plate, all grades
  - (c) ASTM A672 pipe made from A516 plate, all grades
- (4) A welding procedure for the manufacture of pipe or components shall include impact testing of welds and HAZ for any design minimum temperature below  $-29^{\circ}\text{C}$  ( $-20^{\circ}\text{F}$ ), except as provided in Table 323.2.2, A-3(b).
- (5) Impact testing in accordance with para. 323.3 is required for any design minimum temperature below  $-48^{\circ}\text{C}$  ( $-55^{\circ}\text{F}$ ), except as permitted by Note (3) in Table 323.2.2.
- (6) For blind flanges and blanks,  $\bar{T}$  shall be  $\frac{1}{4}$  of the flange thickness.

**Table 323.2.2A Tabular Values for Minimum Temperatures Without Impact Testing for Carbon Steel Materials (See Fig. 323.2.2A for Curves and Applicable Notes)**

Nominal Thickness, $T$ [Note (6)]		Design Minimum Temperature							
		Curve A [Note (2)]		Curve B [Note (3)]		Curve C [Note (3)]		Curve D	
mm	in.	°C	°F	°C	°F	°C	°F	°C	°F
6.4	0.25	-9.4	15	-28.9	-20	-48.3	-55	-48.3	-55
7.9	0.3125	-9.4	15	-28.9	-20	-48.3	-55	-48.3	-55
9.5	0.375	-9.4	15	-28.9	-20	-48.3	-55	-48.3	-55
10.0	0.394	-9.4	15	-28.9	-20	-48.3	-55	-48.3	-55
11.1	0.4375	-6.7	20	-28.9	-20	-41.7	-43	-48.3	-55
12.7	0.5	-1.1	30	-28.9	-20	-37.8	-36	-48.3	-55
14.3	0.5625	2.8	37	-21.7	-7	-35.0	-31	-45.6	-50
15.9	0.625	6.1	43	-16.7	2	-32.2	-26	-43.9	-47
17.5	0.6875	8.9	48	-12.8	9	-29.4	-21	-41.7	-43
19.1	0.75	11.7	53	-9.4	15	-27.2	-17	-40.0	-40
20.6	0.8125	14.4	58	-6.7	20	-25.0	-13	-38.3	-37
22.2	0.875	16.7	62	-3.9	25	-23.3	-10	-36.7	-34
23.8	0.9375	18.3	65	-1.7	29	-21.7	-7	-35.6	-32
25.4	1.0	20.0	68	0.6	33	-19.4	-3	-34.4	-30
27.0	1.0625	22.2	72	2.2	36	-18.3	-1	-33.3	-28
28.6	1.125	23.9	75	3.9	39	-16.7	2	-32.2	-26
30.2	1.1875	25.0	77	5.6	42	-15.6	4	-30.6	-23
31.8	1.25	26.7	80	6.7	44	-14.4	6	-29.4	-21
33.3	1.3125	27.8	82	7.8	46	-13.3	8	-28.3	-19
34.9	1.375	28.9	84	8.9	48	-12.2	10	-27.8	-18
36.5	1.4375	30.0	86	9.4	49	-11.1	12	-26.7	-16
38.1	1.5	31.1	88	10.6	51	-10.0	14	-25.6	-14
39.7	1.5625	32.2	90	11.7	53	-8.9	16	-25.0	-13
41.3	1.625	33.3	92	12.8	55	-8.3	17	-23.9	-11
42.9	1.6875	33.9	93	13.9	57	-7.2	19	-23.3	-10
44.5	1.75	34.4	94	14.4	58	-6.7	20	-22.2	-8
46.0	1.8125	35.6	96	15.0	59	-5.6	22	-21.7	-7
47.6	1.875	36.1	97	16.1	61	-5.0	23	-21.1	-6
49.2	1.9375	36.7	98	16.7	62	-4.4	24	-20.6	-5
50.8	2.0	37.2	99	17.2	63	-3.3	26	-20.0	-4
51.6	2.0325	37.8	100	17.8	64	-2.8	27	-19.4	-3
54.0	2.125	38.3	101	18.3	65	-2.2	28	-18.9	-2
55.6	2.1875	38.9	102	18.9	66	-1.7	29	-18.3	-1
57.2	2.25	38.9	102	19.4	67	-1.1	30	-17.8	0
58.7	2.3125	39.4	103	20.0	68	-0.6	31	-17.2	1
60.3	2.375	40.0	104	20.6	69	0.0	32	-16.7	2
61.9	2.4375	40.6	105	21.1	70	0.6	33	-16.1	3
63.5	2.5	40.6	105	21.7	71	1.1	34	-15.6	4
65.1	2.5625	41.1	106	21.7	71	1.7	35	-15.0	5
66.7	2.625	41.7	107	22.8	73	2.2	36	-14.4	6
68.3	2.6875	41.7	107	22.8	73	2.8	37	-13.9	7
69.9	2.75	42.2	108	23.3	74	3.3	38	-13.3	8
71.4	2.8125	42.2	108	23.9	75	3.9	39	-13.3	8
73.0	2.875	42.8	109	24.4	76	4.4	40	-12.8	9
74.6	2.9375	42.8	109	25.0	77	4.4	40	-12.2	10
76.2	3.0	43.3	110	25.0	77	5.0	41	-11.7	11

**Fig. 323.2.2B Reduction in Minimum Design Metal Temperature Without Impact Testing**



**GENERAL NOTES:**

- (a) The stress ratio is defined as the maximum of the following:
  - (1) nominal pressure stress (based on minimum pipe wall thickness less allowances) divided by  $S$  at the design minimum temperature.
  - (2) for piping components with pressure ratings, the pressure for the condition under consideration divided by the pressure rating at the design minimum temperature.
  - (3) combined longitudinal stress due to pressure, dead weight, and displacement strain (stress intensification factors are not included in this calculation) divided by  $S$  at the design minimum temperature. In calculating longitudinal stress, the forces and moments in the piping system shall be calculated using nominal dimensions and the stresses shall be calculated using section properties based on the nominal dimensions less corrosion, erosion, and mechanical allowances.
- (b) Loadings coincident with the metal temperature under consideration shall be used in determining the stress ratio as defined above.

**Table 323.3.1 Impact Testing Requirements for Metals**

Test Characteristics		Column A Materials Tested by the Manufacturer [Note (1)] or Those in Table 323.2.2 Requiring Impact Tests Only on Welds	Column B Materials Not Tested by the Manufacturer or Those Tested But Heat Treated During or After Fabrication
Tests on Materials	Number of tests	A-1 The greater of the number required by (a) the material specification or (b) the applicable specification listed in para. 323.3.2 [Note (2)]	B-1 The number required by the applicable specification listed in para. 323.3.2 [Note (2)]
	Location and orientation of specimens	A-2 As required by the applicable specification listed in para. 323.3.2.	
	Tests by	A-3 The manufacturer	B-3 The fabricator or erector
Tests on Welds in Fabrication or Assembly	Test piece for preparation of impact specimens	A-4 One required for each welding procedure, for each type of filler metal (i.e., AWS E-XXXX classification), and for each flux to be used. Test pieces shall be subjected to essentially the same heat treatment (including time at temperature or temperatures and cooling rate) as the erected piping will have received.	
	Number of test pieces [Note (3)]	A-5 (a) One piece, thickness $T$ , for each range of material thickness from $T/2$ to $T + 6$ mm ( $1/4$ in.) (b) Unless required by the engineering design, pieces need not be made from each lot, nor from material for each job, provided that welds have been tested as required by Section 4 above, for the same type and grade of material (or for the same P-Number and Group Number in BPV Code, Section IX), and of the same thickness range, and that records of the tests are made available	B-5 (a) One piece from each lot of material in each specification and grade including heat treatment [Note (4)] unless (b) Materials are qualified by the fabricator or erector as specified in Sections B-1 and B-2 above, in which case the requirements of Section A-5 apply
	Location and orientation of specimens	6 (a) Weld metal: across the weld, with notch in the weld metal; notch axis shall be normal to material surface, with one face of specimen $\leq 1.5$ mm ( $1/16$ in.) from the material surface. (b) Heat affected zone (HAZ): across the weld and long enough to locate notch in the HAZ after etching; notch axis shall be approximately normal to material surface and shall include as much as possible of the HAZ in the fracture.	
	Tests by	7 The fabricator or erector	

## NOTES:

- (1) A certified report of impact tests performed (after being appropriately heat treated as required by Table 323.2.2, item B-3) by the manufacturer shall be obtained as evidence that the material (including any welds used in its manufacture) meets the requirements of this Code and that
  - (a) the tests were conducted on specimens representative of the material delivered to and used by the fabricator or erector, or
  - (b) the tests were conducted on specimens removed from test pieces of the material which received heat treatment separately in the same manner as the material (including heat treatment by the manufacturer) so as to be representative of the finished piping
- (2) If welding is used in manufacture, fabrication, or erection, tests of the HAZ will suffice for the tests of the base material.
- (3) The test piece shall be large enough to permit preparing three specimens from the weld metal and three from the HAZ (if required) in accordance with para. 323.3. If this is not possible, preparation of additional test pieces is required.
- (4) For purposes of this requirement, "lot" means the quantity of material described under the "Number of tests" provision of the specification applicable to the product term (i.e., plate, pipe, etc.) listed in para. 323.3.2.



in the components) shall be done using procedures and apparatus in accordance with ASTM A370. For material forms that are represented by the ASTM specifications listed below, impact tests shall be conducted in conformance with those requirements as well. When conflicts exist between the specific requirements of this Code and the requirements of those specifications, the requirements of this Code shall take precedence.

Product Form	ASTM Spec. No.
Pipe	A333
Tube	A334
Fittings	A420
Forgings	A350
Castings	A352
Bolting	A320
Plate	A20

GENERAL NOTE: Titles of referenced standards not listed in the Specifications Index for Appendix A are: A20 General Requirements for Steel Plates for Pressure Vessels and A370 Test Methods and Definitions for Mechanical Testing of Steel Products.

**323.3.3 Test Specimens.** Each set of impact test specimens shall consist of three specimen bars. All impact tests shall be made using standard 10 mm (0.394 in.) square cross section Charpy V-notch specimen bars, except when the material shape or thickness does not permit. Charpy impact tests may be performed on specimens of full material thickness, which may be machined to remove surface irregularities. Alternatively, such material may be reduced in thickness to produce the largest possible Charpy subsize specimen. See Table 323.3.4.

**323.3.4 Test Temperatures.** For all Charpy impact tests, the test temperature criteria in para. 323.3.4(a) or (b) shall be observed. The test specimens, as well as the handling tongs, shall be cooled for a sufficient length of time to reach the test temperature.

(a) *For Materials of Thickness Equal to or Greater Than 10 mm (0.394 in.).* Where the largest attainable Charpy V-notch specimen has a width along the notch of at least 8 mm (0.315 in.), the Charpy test using such a specimen shall be conducted at a temperature not higher than the design minimum temperature. Where the largest possible test specimen has a width along the notch less than 8 mm, the test shall be conducted at a temperature lower than the design minimum temperature by the amount shown in Table 323.3.4 for that specimen width.

(b) *For Materials With Thickness Less Than 10 mm (0.394 in.).* Where the largest attainable Charpy V-notch specimen has a width along the notch of at least 80% of the material thickness, the Charpy test of such a specimen shall be conducted at a temperature not higher than the design minimum temperature. Where the largest possible test specimen has a width along the notch of less than 80% of the material thickness, the test shall be conducted at a temperature lower than the design

**Table 323.3.4 Charpy Impact Test Temperature Reduction**

Actual Material Thickness [See Para. 323.3.4(b)] or Charpy Impact Specimen Width Along the Notch [Note (1)]	Temperature Reduction Below Design Minimum Temperature	
	mm	in.
10 (full size standard bar)	0.394	0
9	0.354	0
8	0.315	0
7.5 (3/4 size bar)	0.295	2.8
7	0.276	4.4
6.67 (2/3 size bar)	0.262	5.6
6	0.236	8.3
5 (1/2 size bar)	0.197	11.1
4	0.157	16.7
3.33 (1/3 size bar)	0.131	19.4
3	0.118	22.2
2.5 (1/4 size bar)	0.098	27.8

GENERAL NOTE: These temperature reduction criteria do not apply when Table 323.3.5 specifies lateral expansion for minimum required values.

NOTE:

(1) Straight line interpolation for intermediate values is permitted.

minimum temperature by an amount equal to the difference (referring to Table 323.3.4) between the temperature reduction corresponding to the actual material thickness and the temperature reduction corresponding to the Charpy specimen width actually tested.

### 323.3.5 Acceptance Criteria

(a) *Minimum Energy Requirements.* Except for bolting materials, the applicable minimum energy requirement for carbon and low alloy steels with specified minimum tensile strengths less than 656 MPa (95 ksi) shall be those shown in Table 323.3.5.

(b) *Lateral Expansion Requirements.* Other carbon and low alloy steels having specified minimum tensile strengths equal to or greater than 656 MPa (95 ksi), all bolting materials, and all high alloy steels (P-Nos. 6, 7, and 8) shall have a lateral expansion opposite the notch of not less than 0.38 mm (0.015 in.) for all specimen sizes. The lateral expansion is the increase in width of the broken impact specimen over that of the unbroken specimen measured on the compression side, parallel to the line constituting the bottom of the V-notch (see ASTM A370).

(c) *Weld Impact Test Requirements.* Where two base metals having different required impact energy values

**Table 323.3.5 Minimum Required Charpy V-Notch Impact Values**

Specified Minimum Tensile Strength	No. of Specimens [Note (1)]	Energy [Note (2)]			
		Fully Deoxidized Steels		Other Than Fully Deoxidized Steels	
		Joules	ft-lbf	Joules	ft-lbf
<b>(a) Carbon and Low Alloy Steels</b>					
448 MPa (65 ksi) and less	Average for 3 specimens	18	13	14	10
	Minimum for 1 specimen	14	10	10	7
Over 448 to 517 MPa (75 ksi)	Average for 3 specimens	20	15	18	13
	Minimum for 1 specimen	16	12	14	10
Over 517 but not incl. 656 MPa (95 ksi)	Average for 3 specimens	27	20	...	...
	Minimum for 1 specimen	20	15	...	...
Lateral Expansion					
656 MPa and over [Note (3)]	Minimum for 3 specimens	0.38 mm (0.015 in.)			
<b>(b) Steels in P-Nos. 6, 7, and 8</b>	Minimum for 3 specimens	0.38 mm (0.015 in.)			

## NOTES:

- (1) See para. 323.3.5(d) for permissible retests.
- (2) Energy values in this Table are for standard size specimens. For subsize specimens, these values shall be multiplied by the ratio of the actual specimen width to that of a full-size specimen, 10 mm (0.394 in.).
- (3) For bolting of this strength level in nominal sizes M 52 (2 in.) and under, the impact requirements of ASTM A320 may be applied. For bolting over M 52, requirements of this Table shall apply.

are joined by welding, the impact test energy requirements shall conform to the requirements of the base material having a specified minimum tensile strength most closely matching the specified minimum tensile strength of the weld metal.

*(d) Retests*

(1) *For Absorbed Energy Criteria.* When the average value of the three specimens equals or exceeds the minimum value permitted for a single specimen and the value for more than one specimen is below the required average value, or when the value for one specimen is below the minimum value permitted for a single specimen, a retest of three additional specimens shall be made. The value for each of these retest specimens shall equal or exceed the required average value.

(2) *For Lateral Expansion Criterion.* If the value of lateral expansion for one specimen in a group of three is below 0.38 mm (0.015 in.) but not below 0.25 mm (0.01 in.), and if the average value for three specimens equals or exceeds 0.38 mm (0.015 in.), a retest of three additional specimens may be made, each of which must equal or exceed the specified minimum value of 0.38 mm (0.015 in.). In the case of heat treated materials, if the required values are not obtained in the retest or if the values in the initial test are below the minimum allowed for retest, the material may be reheat treated and retested. After reheat treatment, a set of three specimens shall be made. For acceptance, the lateral expansion of

each of the specimens must equal or exceed the specified minimum value of 0.38 mm (0.015 in.).

(3) *For Erratic Test Results.* When an erratic result is caused by a defective specimen or there is uncertainty in the test procedure, a retest will be allowed.

**323.4 Fluid Service Requirements for Materials**

**323.4.1 General.** Requirements in para. 323.4 apply to pressure containing parts. They do not apply to materials used for supports, gaskets, packing, or bolting. See also Appendix F, para. F323.4.

**323.4.2 Specific Requirements**

(a) *Ductile Iron.* Ductile iron shall not be used for pressure containing parts at temperatures below  $-29^{\circ}\text{C}$  ( $-20^{\circ}\text{F}$ ) (except austenitic ductile iron) or above  $343^{\circ}\text{C}$  ( $650^{\circ}\text{F}$ ). Austenitic ductile iron conforming to ASTM A571 may be used at temperatures below  $-29^{\circ}\text{C}$  ( $-20^{\circ}\text{F}$ ) down to the temperature of the impact test conducted in accordance with that specification but not below  $-196^{\circ}\text{C}$  ( $-320^{\circ}\text{F}$ ).

Valves having bodies and bonnets or covers made of materials conforming to ASTM A395 and meeting the requirements of ASME B16.42 and additional requirements of ASME B16.34 Standard Class, API 594, API 599, or API 609 may be used within the pressure-temperature ratings given in ASME B16.42.

Welding shall not be performed in the fabrication or repair of ductile iron components nor in assembly of such components in a piping system.

(b) *Other Cast Irons.* The following shall not be used under severe cyclic conditions. If safeguarding is provided against excessive heat and thermal shock and mechanical shock and abuse, they may be used in other services subject to the following requirements.

(1) Cast iron shall not be used above ground within process unit limits in hydrocarbon or other flammable fluid service at temperatures above 149°C (300°F) nor at gage pressures above 1 035 kPa (150 psi). In other locations the pressure limit shall be 2 760 kPa (400 psi).

(2) Malleable iron shall not be used in any fluid service at temperatures below -29°C (-20°F) or above 343°C (650°F) and shall not be used in flammable fluid service at temperatures above 149°C (300°F) nor at gage pressures above 2 760 kPa (400 psi).

(3) High silicon iron (14.5% Si) shall not be used in flammable fluid service. The manufacturer should be consulted for pressure-temperature ratings and for precautionary measures when using this material.

(c) *Other Materials*

(1) If welding or thermal cutting is performed on aluminum castings, the stress values in Appendix A and component ratings listed in Table 326.1 are not applicable. It is the designer's responsibility to establish such stresses and ratings consistent with the requirements of this Code.

(2) Lead and tin and their alloys shall not be used in flammable fluid services.

**323.4.3 Cladding and Lining Materials.** Materials with metallic cladding or metallic lining may be used in accordance with the following provisions:

(a) If piping components are made from integrally clad plate conforming to

(1) ASTM A263, Corrosion-Resisting Chromium Steel Clad Plate, Sheet, and Strip

(2) ASTM A264, Stainless Chromium-Nickel Steel Clad Plate, Sheet, and Strip

(3) ASTM A265, Nickel and Nickel-Base Alloy Clad Plate, Sheet, and Strip

Then pressure design in accordance with rules in para. 304 may be based upon the total thickness of base metal and cladding after any allowance for corrosion has been deducted, provided that both the base metal and the cladding metal are acceptable for Code use under para. 323.1, and provided that the clad plate has

been shear tested and meets all shear test requirements of the applicable ASTM specification. The allowable stress for each material (base and cladding) shall be taken from Appendix A, or determined in accordance with the rules in para. 302.3, provided, however, that the allowable stress used for the cladding portion of the design thickness shall never be greater than the allowable stress used for the base portion.

(b) For all other metallic clad or lined piping components, the base metal shall be an acceptable Code material as defined in para. 323.1 and the thickness used in pressure design in accordance with para. 304 shall not include the thickness of the cladding or lining. The allowable stress used shall be that for the base metal at the design temperature. For such components, the cladding or lining may be any material that, in the judgment of the user, is suitable for the intended service and for the method of manufacture and assembly of the piping component.

(c) Except for components designed in accordance with provisions of para. 323.4.3(a), fluid service requirements for materials stated in this Code shall not restrict their use as cladding or lining in pipe or other components. Fluid service requirements for the outer material (including those for components and joints) shall govern, except that temperature limitations of both inner and outer materials, and of any bond between them, shall be considered.

(d) Fabrication by welding of clad or lined piping components and the inspection and testing of such components shall be done in accordance with applicable provisions of the BPV Code, Section VIII, Division 1, UCL-30 through UCL-52, or the provisions of Chapters V and VI of this Code, whichever are more stringent.

### 323.5 Deterioration of Materials in Service

Selection of material to resist deterioration in service is not within the scope of this Code. See para. 300(c)(6). Recommendations based on experience are presented for guidance in Appendix F, para. F323.

## 325 MATERIALS — MISCELLANEOUS

### 325.1 Joining and Auxiliary Materials

When selecting materials such as adhesives, cements, solvents, solders, brazing materials, packing, and O-rings for making or sealing joints, the designer shall consider their suitability for the fluid service. (Consideration should also be given to the possible effects of the joining or auxiliary materials on the fluid handled.)

## Chapter IV

# Standards for Piping Components

### 326 DIMENSIONS AND RATINGS OF COMPONENTS

#### 326.1 Dimensional Requirements

**326.1.1 Listed Piping Components.** Dimensional standards<sup>1</sup> for piping components are listed in Table 326.1. Dimensional requirements contained in specifications listed in Appendix A shall also be considered requirements of this Code.

- (12) **326.1.2 Unlisted Piping Components.** Piping components not listed in Table 326.1 or Appendix A shall meet the pressure design requirements described in para. 302.2.3 and the mechanical strength requirements described in para. 302.5.

**326.1.3 Threads.** The dimensions of piping connection threads not otherwise covered by a governing component standard or specification shall conform to the

---

<sup>1</sup>It is not practical to refer to a specific edition of each standard throughout the Code text. Instead, the approved edition references, along with the names and address of sponsoring organizations, are shown in Appendix E.

requirements of applicable standards listed in Table 326.1 or Appendix A.

#### 326.2 Ratings of Components

**326.2.1 Listed Components.** The pressure-temperature ratings of components listed in Table 326.1 are accepted for pressure design in accordance with para. 303.

**326.2.2 Unlisted Components.** The pressure-temperature ratings of unlisted piping components shall conform to the applicable provisions of para. 304.

#### 326.3 Reference Documents

The documents listed in Table 326.1 contain references to codes, standards, and specifications not listed in Table 326.1. Such unlisted codes, standards, and specifications shall be used only in the context of the listed documents in which they appear.

The design, materials, fabrication, assembly, examination, inspection, and testing requirements of this Code are not applicable to components manufactured in accordance with the documents listed in Table 326.1, unless specifically stated in this Code, or the listed document.

**Table 326.1 Component Standards**

(12)

Standard or Specification	Designation
<b>Bolting</b>	
Square and Hex Bolts and Screws (Inch Series) . . . . .	ASME B18.2.1
Square and Hex Nuts (Inch Series) . . . . .	ASME B18.2.2
<b>Metallic Fittings, Valves, and Flanges</b>	
Cast Iron Pipe Flanges and Flanged Fittings . . . . .	ASME B16.1
Malleable Iron Threaded Fittings . . . . .	ASME B16.3
Gray Iron Threaded Fittings . . . . .	ASME B16.4
Pipe Flanges and Flanged Fittings . . . . .	ASME B16.5
Factory-Made Wrought Steel Butt-welding Fittings . . . . .	ASME B16.9
Face-to-Face and End-To-End Dimensions of Valves . . . . .	ASME B16.10
Forged Fittings, Socket-Welding and Threaded . . . . .	ASME B16.11
Ferrous Pipe Plugs, Bushings, and Locknuts With Pipe Threads . . . . .	ASME B16.14
Cast Bronze Threaded Fittings, Class 125 and 250 [Notes (1), (2)] . . . . .	ASME B16.15
Cast Copper Alloy Solder Joint Pressure Fittings . . . . .	ASME B16.18
Wrought Copper and Copper Alloy Solder Joint Pressure Fittings . . . . .	ASME B16.22
Cast Copper Alloy Pipe Flanges and Flanged Fittings: Classes 150, 300, 600, 900, 1500, and 2500 . . . . .	ASME B16.24
Cast Copper Alloy Fittings for Flared Copper Tubes . . . . .	ASME B16.26
Valves-Flanged, Threaded, and Welding End . . . . .	ASME B16.34
Orifice Flanges, Class 300, 600, 900, 1500, and 2500 . . . . .	ASME B16.36
Malleable Iron Threaded Pipe Unions, Class 150, 250, and 300 . . . . .	ASME B16.39
Ductile Iron Pipe Flanges and Flanged Fittings, Class 150 and 300 . . . . .	ASME B16.42
Large Diameter Steel Flanges, NPS 26 Through NPS 60 . . . . .	ASME B16.47
Steel Line Blanks . . . . .	ASME B16.48
Brazing Joints for Copper and Copper Alloy Pressure Fittings . . . . .	ASME B16.50
Bioprocessing Equipment [Note (3)] . . . . .	ASME BPE
Flanged Steel Pressure-Relief Valves . . . . .	API 526
Check Valves: Flanged, Lug, Wafer and Butt-welding . . . . .	API 594
Metal Plug Valves—Flanged, Threaded, and Welding Ends . . . . .	API 599
Bolted Bonnet Steel Gate Valves for Petroleum and Natural Gas Industries . . . . .	API 600
Steel Gate, Globe, and Check Valves for Sizes DN 100 and Smaller for the Petroleum and Natural Gas Industries . . . . .	API 602
Corrosion-Resistant, Bolted Bonnet Gate Valves — Flanged and Butt-Welding Ends . . . . .	API 603
Metal Ball Valves-Flanged, Threaded, and Welding End . . . . .	API 608
Butterfly Valves: Double-flanged, Lug- and Wafer-type . . . . .	API 609
Ductile-Iron and Gray-Iron Fittings, 3 Inch Through 48 Inch (75 mm Through 1200 mm), for Water and Other Liquids . . . . .	AWWA C110
Flanged Ductile-Iron Pipe with Ductile-Iron or Gray-Iron Threaded Flanges . . . . .	AWWA C115
Steel Pipe Flanges for Waterworks Service, Sizes 4 inch Through 144 inch (100 mm Through 3,600 mm) . . . . .	AWWA C207
Dimensions for Fabricated Steel Water Pipe Fittings . . . . .	AWWA C208
Metal-Seated Gate Valves for Water Supply Service . . . . .	AWWA C500
Rubber-Seated Butterfly Valves . . . . .	AWWA C504
Standard Finishes for Contact Faces of Pipe Flanges and Connecting-End Flanges of Valves and Fittings . . . . .	MSS SP-6
Spot Facing for Bronze, Iron and Steel Flanges . . . . .	MSS SP-9
Standard Marking Systems for Valves, Fittings, Flanges, and Unions . . . . .	MSS SP-25
Class 150 (PN 20) Corrosion Resistant Gate, Globe, Angle and Check Valves With Flanged and Butt Weld Ends . . . . .	MSS SP-42
Wrought Stainless Steel Butt-Welding Fittings Including Reference to Other Corrosion Resistant Materials [Note (4)] . . . . .	MSS SP-43
Steel Pipeline Flanges . . . . .	MSS SP-44
Bypass and Drain Connections . . . . .	MSS SP-45
Class 150LW Corrosion Resistant Flanges and Cast Flanged Fittings . . . . .	MSS SP-51
High Pressure Chemical Industry Flanges and Threaded Stubs for Use with Lens Gaskets . . . . .	MSS SP-65
Gray Iron Gate Valves, Flanged and Threaded Ends . . . . .	MSS SP-70
Gray Iron Swing Check Valves, Flanged and Threaded Ends . . . . .	MSS SP-71
Ball Valves With Flanged or Butt-welding Ends for General Service . . . . .	MSS SP-72
Specifications for High Test Wrought Butt-welding Fittings . . . . .	MSS SP-75
Gray Iron Plug Valves, Flanged and Threaded Ends . . . . .	MSS SP-78
Socket-Welding Reducer Inserts . . . . .	MSS SP-79
Bronze Gate, Globe, Angle and Check Valves . . . . .	MSS SP-80

(12)

**Table 326.1 Component Standards (Cont'd)**

Standard or Specification	Designation
<b>Metallic Fittings, Valves, and Flanges (Cont'd)</b>	
Stainless Steel, Bonnetless, Flanged, Knife Gate Valves . . . . .	MSS SP-81
Class 3000 Steel Pipe Unions, Socket-Welding and Threaded . . . . .	MSS SP-83
Gray Iron Globe and Angle Valves, Flanged and Threaded Ends . . . . .	MSS SP-85
Diaphragm Type Valves . . . . .	MSS SP-88
Swage(d) Nipples and Bull Plugs . . . . .	MSS SP-95
Integrally Reinforced Forged Branch Outlet Fittings — Socket Welding, Threaded, and Buttwelding Ends . . . . .	MSS SP-97
Instrument Valves for Code Applications . . . . .	MSS SP-105
Cast Copper Alloy Flanges and Flanged Fittings Class 125, 150, and 300 [Note (1)]. . . . .	MSS SP-106
Factory-Made Wrought Belled End Socket Welding Fittings [Note (5)] . . . . .	MSS SP-119
Refrigeration Tube Fittings — General Specifications . . . . .	SAE J513
Hydraulic Tube Fittings. . . . .	SAE J514
Hydraulic Flanged Tube, Pipe, and Hose Connections, Four-Bolt Split Flanged Type . . . . .	SAE J518
<b>Metallic Pipe and Tubes [Note (6)]</b>	
Welded and Seamless Wrought Steel Pipe. . . . .	ASME B36.10M
Stainless Steel Pipe . . . . .	ASME B36.19M
Flanged Ductile-Iron Pipe with Ductile-Iron or Gray-Iron Threaded Flanges . . . . .	AWWA C115
Thickness Design of Ductile-Iron Pipe . . . . .	AWWA C150
Ductile-Iron Pipe, Centrifugally Cast, for Water . . . . .	AWWA C151
Steel Water Pipe 6 inches (150 mm) and Larger . . . . .	AWWA C200
<b>Miscellaneous</b>	
Unified Inch Screw Threads (UN and UNR Thread Form) . . . . .	ASME B1.1
Pipe Threads, General Purpose (Inch) . . . . .	ASME B1.20.1
Dryseal Pipe Threads (Inch) . . . . .	ASME B1.20.3
Hose Coupling Screw Threads (Inch). . . . .	ASME B1.20.7
Metallic Gaskets for Pipe Flanges — Ring, Joint, Spiral Wound, and Jacketed . . . . .	ASME B16.20
Nonmetallic Flat Gaskets for Pipe Flanges . . . . .	ASME B16.21
Buttwelding Ends . . . . .	ASME B16.25
Surface Texture (Surface Roughness, Waviness, and Lay) . . . . .	ASME B46.1
Specification for Threading, Gaging and Thread Inspection of Casing, Tubing, and Line Pipe Threads . . . . .	API 5B
Rubber Gasket Joints for Ductile-Iron Pressure Pipe and Fittings. . . . .	AWWA C111
Flexible Metal Hose [Notes (1), (7), and (8)]. . . . .	BS 6501, Part 1
Pipe Hangers and Supports — Materials, Design, and Manufacture. . . . .	MSS SP-58
Standard for Fire Hose Connections . . . . .	NFPA 1963

GENERAL NOTE: It is not practical to refer to a specific edition of each standard throughout the Code text. Instead, the approved edition references, along with the names and addresses of the sponsoring organizations, are shown in Appendix E.

## NOTES:

- (1) This standard allows the use of unlisted materials; see para. 323.1.2.
- (2) This standard allows straight pipe threads in sizes  $\leq$  DN 15 (NPS  $\frac{1}{2}$ ); see para. 314.2.1(d).
- (3) Part DT of ASME BPE covers dimensions and tolerances for stainless steel automatic welding and hygienic clamp tube fittings and process components.
- (4) *Cautionary Note:* See MSS SP-43 (Section 3) for specific pressure–temperature ratings of available thicknesses of Class CR fittings. The ratings for MSS SP-43 fittings cannot be calculated based on straight seamless pipe such as is done, for example, for ASME B16.9 buttwelding fittings.
- (5) MSS SP-119 includes three classes of fittings: MP, MARINE, and CR. Only the MP class fittings are considered a “Listed Component” for the purpose of this Code. *Cautionary Note:* See MSS SP-119 (Section 6) for special provisions concerning ratings. (In accordance with MSS SP-119, the pressure ratings for MP class fittings are 87.5% of those calculated for straight seamless pipe of *minimum* wall thickness.)
- (6) See also Appendix A.
- (7) Welding and brazing to be in accordance with paras. 328 and 333, respectively in lieu of the referenced specifications in this standard.
- (8) This standard contains recommended materials of construction for certain chemical services; the responsibility for the ultimate selection of material is the responsibility of the Owner and is, therefore, not within the scope of this Code.

## Chapter V

# Fabrication, Assembly, and Erection

### 327 GENERAL

Metallic piping materials and components are prepared for assembly and erection by one or more of the fabrication processes covered in paras. 328, 330, 331, 332, and 333. When any of these processes is used in assembly or erection, requirements are the same as for fabrication.

### (12) 328 WELDING AND BRAZING

Welding and brazing shall conform to the requirements of this Chapter and the applicable requirements of para. 311.2.

#### (12) 328.1 Responsibility

Each employer is responsible for

(a) the welding and brazing performed by personnel of its organization

(b) conducting the qualification tests required to qualify the welding or brazing procedure specifications used by personnel in its organization, except as provided in paras. 328.2.1 and 328.2.2

(c) conducting the qualification tests required to qualify the welders, brazers, and operators, except as provided in para. 328.2.3

#### (12) 328.2 Welding and Brazing Qualification

Welding and brazing procedure specifications (WPSs and BPSs) to be followed in production welding shall be prepared and qualified, and welders, brazers, and operators shall be qualified as required by the ASME BPV Code, Section IX except as modified by para. 333 for brazing of Category D Fluid Service piping and by the following subparagraphs.

**328.2.1 Standard Welding Procedure Specifications.** Standard welding procedure specifications published by the American Welding Society and listed in Mandatory Appendix E of Section IX are permitted for Code construction within the limitations established by Article V of Section IX.

**328.2.2 Procedure Qualification by Others.** In order to avoid duplication of effort and subject to the approval of the owner, WPSs and BPSs qualified by a technically competent group or agency may be used provided the following are met:

(a) The procedures meet the requirements of Section IX and any additional qualification requirements of this Code.

(b) The employer has qualified at least one welder, brazer, or operator following each WPS or BPS.

(c) The employer's business name shall be shown on each WPS and BPS, and on each qualification record. In addition, qualification records shall be signed and dated by the employer, thereby accepting responsibility for the qualifications performed by others.

**328.2.3 Performance Qualification by Others.** In order to avoid duplication of effort and subject to the approval of the owner, an employer may accept the performance qualification of a welder, brazer, or operator made by a previous employer. This acceptance is limited to performance qualifications that were made on pipe or tube test coupons. The new employer shall have the WPS or BPS that was followed during qualification or an equivalent WPS or BPS that is within the limits of the essential variables set forth in Section IX. An employer accepting such qualification tests shall obtain a copy of the performance qualification test record from the previous employer. The record shall show the name of the employer by whom the welder, brazer, or operator was qualified and the date of that qualification. Evidence shall also be provided that the welder, brazer, or operator has maintained qualification in accordance with QW-322 and QB-322 of Section IX, except that this evidence may be provided by an employer responsible for the individual's welding or brazing performance even if not the original qualifying employer. The new employer's business name shall be shown on the qualification record, and it shall be signed and dated by the employer, thereby accepting responsibility for the qualifications performed by others.

**328.2.4 Qualification Records.** The employer shall maintain copies of the procedure and performance qualification records specified by Section IX that shall be available to the Inspector at the location where welding is being done.

### 328.3 Welding Materials

**328.3.1 Electrodes and Filler Metal.** Welding electrodes and filler metal, including consumable inserts, shall conform to the requirements of the ASME Boiler and Pressure Vessel Code, Section II, Part C. An electrode or filler metal not conforming to the above may be used provided the WPS and the welders who will follow the WPS have been qualified as required by ASME Section IX. Unless otherwise specified by the

Designer, welding electrodes and filler metals used shall produce weld metal that complies with the following:

(a) The nominal tensile strength of the weld metal shall equal or exceed the minimum specified tensile strength of the base metals being joined, or the weaker of the two if base metals of two different strengths are being joined.

(b) The nominal chemical analysis of the weld metal shall be similar to the nominal chemical analysis of the major alloying elements of the base metal (e.g., 2¼% Cr, 1% Mo steels should be joined using 2¼% Cr, 1% Mo filler metals).

(c) If base metals of different chemical analysis are being joined, the nominal chemical analysis of the weld metal shall be similar to either base metal or an intermediate composition, except as specified below for austenitic steels joined to ferritic steels.

(d) When austenitic steels are joined to ferritic steels, the weld metal shall have a predominantly austenitic microstructure.

(e) For nonferrous metals, the weld metal shall be that recommended by the manufacturer of the nonferrous base metal or by industry associations for that metal.

**328.3.2 Weld Backing Material.** When backing rings are used, they shall conform to the following:

(a) *Ferrous Metal Backing Rings.* These shall be of weldable quality. Sulfur content shall not exceed 0.05%.

(b) If two abutting surfaces are to be welded to a third member used as a backing ring and one or two of the three members are ferritic and the other member or members are austenitic, the satisfactory use of such materials shall be demonstrated by welding procedure qualified as required by para. 328.2.

Backing rings may be of the continuous machined or split-band type. Some commonly used types are shown in Fig. 328.3.2.

(c) *Nonferrous and Nonmetallic Backing Rings.* Backing rings of nonferrous or nonmetallic material may be used, provided the designer approves their use and the welding procedure using them is qualified as required by para. 328.2.

**328.3.3 Consumable Inserts.** Consumable inserts may be used, provided they are of the same nominal composition as the filler metal, will not cause detrimental alloying of the weld metal, and the welding procedure using them is qualified as required by para. 328.2. Some commonly used types are shown in Fig. 328.3.2.

## 328.4 Preparation for Welding

**328.4.1 Cleaning.** Internal and external surfaces to be thermally cut or welded shall be clean and free from paint, oil, rust, scale, and other material that would be detrimental to either the weld or the base metal when heat is applied.

### 328.4.2 End Preparation

#### (a) General

(1) End preparation is acceptable only if the surface is reasonably smooth and true, and slag from oxygen or arc cutting is cleaned from thermally cut surfaces. Discoloration remaining on a thermally cut surface is not considered detrimental oxidation.

(2) End preparation for groove welds specified in ASME B16.25, or any other which meets the WPS, is acceptable. [For convenience, the basic bevel angles of ASME B16.25 and some additional J-bevel angles are shown in Fig. 328.4.2 sketches (a) and (b).]

#### (b) Circumferential Welds

(1) If component ends are trimmed as shown in Fig. 328.3.2 sketch (a) or (b) to fit backing rings or consumable inserts, or as shown in Fig. 328.4.3 sketch (a) or (b) to correct internal misalignment, such trimming shall not reduce the finished wall thickness below the required minimum wall thickness,  $t_m$ .

(2) Component ends may be bored to allow for a completely recessed backing ring, provided the remaining net thickness of the finished ends is not less than  $t_m$ .

(3) It is permissible to size pipe ends of the same nominal size to improve alignment if wall thickness requirements are maintained.

(4) Where necessary, weld metal may be deposited inside or outside of the component to permit alignment or provide for machining to ensure satisfactory seating of rings or inserts.

(5) When a girth or miter groove weld joins components of unequal wall thickness and one is more than 1½ times the thickness of the other, end preparation and geometry shall be in accordance with acceptable designs for unequal wall thickness in ASME B16.25.

(6) Buttweld fittings manufactured in accordance with ASME B16.9 may be trimmed to produce an angular joint offset in their connections to pipe or to other buttweld fittings without being subject to design qualifications in accordance with para. 304.7.2 provided the total angular offset produced between the two jointed parts does not exceed 3 deg.

### 328.4.3 Alignment

#### (a) Circumferential Welds

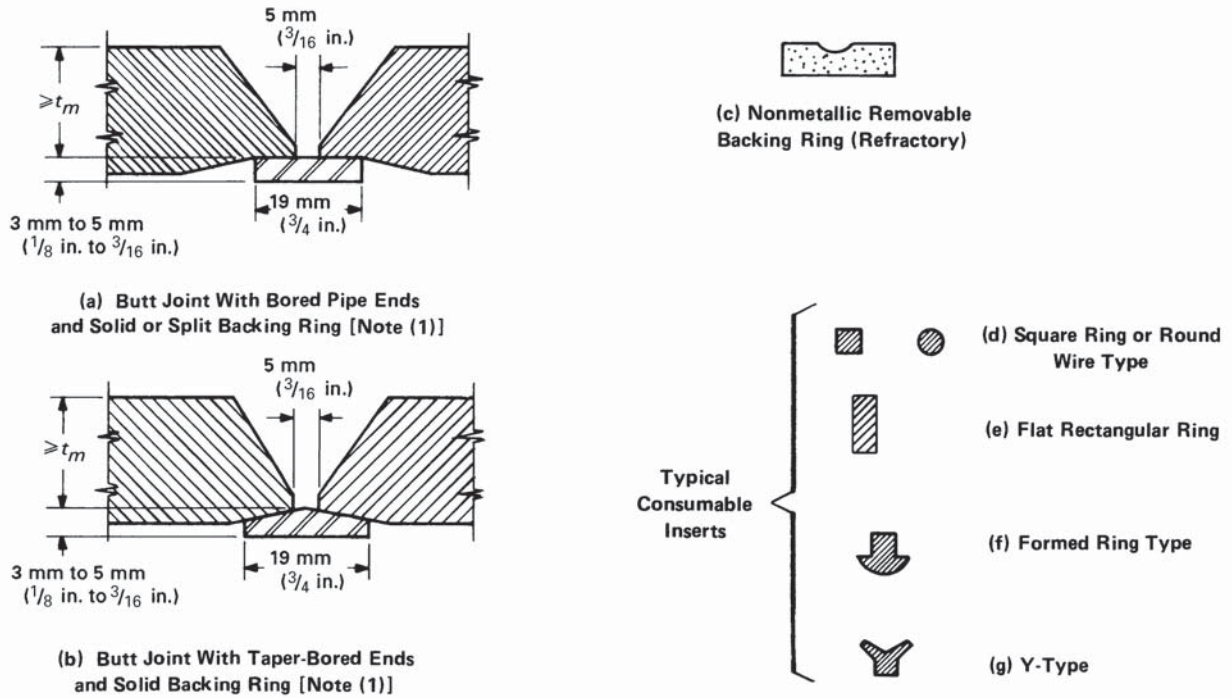
(1) Inside surfaces of components at ends to be joined in girth or miter groove welds shall be aligned within the dimensional limits in the WPS and the engineering design.

(2) If the external surfaces of the components are not aligned, the weld shall be tapered between them.

(b) *Longitudinal Welds.* Alignment of longitudinal groove welds (not made in accordance with a standard listed in Table A-1 or Table 326.1) shall conform to the requirements of para. 328.4.3(a).



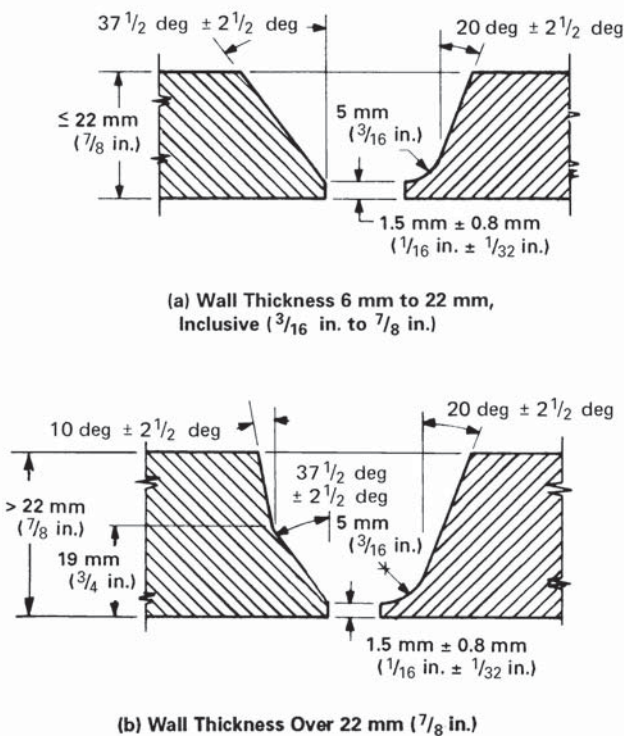
**Fig. 328.3.2 Typical Backing Rings and Consumable Inserts**



NOTE:

(1) Refer to ASME B16.25 for detailed dimensional information on welding ends.

**Fig. 328.4.2 Typical Butt Weld End Preparation**



**Fig. 328.4.3 Trimming and Permitted Misalignment**

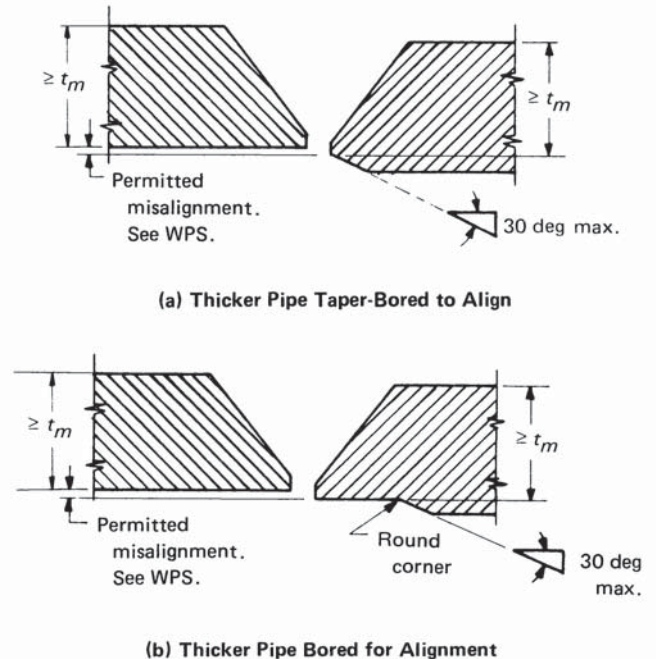
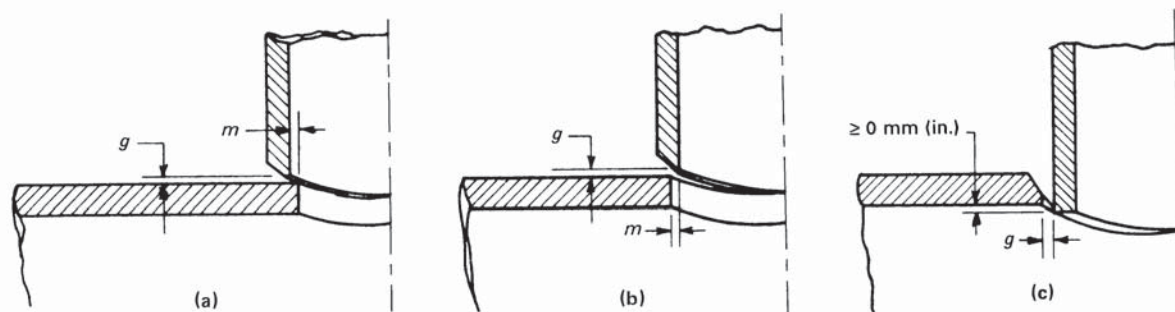


Fig. 328.4.4 Preparation for Branch Connections



$g$  = root gap per welding specification  
 $m$  = the lesser of 3.2 mm ( $1/8$  in.) or  $0.5 \bar{T}_b$

#### (c) Branch Connection Welds

(1) Branch connections which abut the outside surface of the run pipe shall be contoured for groove welds which meet the WPS requirements [see Fig. 328.4.4 sketches (a) and (b)].

(2) Branch connections which are inserted through a run opening shall be inserted at least as far as the inside surface of the run pipe at all points [see Fig. 328.4.4 sketch (c)] and shall otherwise conform to para. 328.4.3(c)(1).

(3) Run openings for branch connections shall not deviate from the required contour more than the dimension  $m$  in Fig. 328.4.4. In no case shall deviations of the shape of the opening cause the root spacing tolerance limits in the WPS to be exceeded. Weld metal may be added and refinished if necessary for compliance.

(d) *Spacing.* The root opening of the joint shall be within the tolerance limits in the WPS.

### 328.5 Welding Requirements

#### 328.5.1 General

(a) Welds, including addition of weld metal for alignment [paras. 328.4.2(b)(4) and 328.4.3(c)(3)], shall be made in accordance with a qualified procedure and by qualified welders or welding operators.

(b) Each qualified welder and welding operator shall be assigned an identification symbol. Unless otherwise specified in the engineering design, each pressure containing weld or adjacent area shall be marked with the identification symbol of the welder or welding operator. In lieu of marking the weld, appropriate records shall be filed.

(c) Tack welds at the root of the joint shall be made with filler metal equivalent to that used in the root pass. Tack welds shall be made by a qualified welder or welding operator. Tack welds shall be fused with the root pass weld, except that those which have cracked shall be removed. Bridge tacks (above the weld) shall be removed.

(d) Peening is prohibited on the root pass and final pass of a weld.

(e) No welding shall be done if there is impingement on the weld area of rain, snow, sleet, or excessive wind, or if the weld area is frosted or wet.

(f) *Welding End Valves.* The welding sequence and procedure and any heat treatment for a welding end valve shall be such as to preserve the seat tightness of the valve.

**328.5.2 Fillet and Socket Welds.** Fillet welds (including socket welds) may vary from convex to concave. The size of a fillet weld is determined as shown in Fig. 328.5.2A.

(a) Typical weld details for slip-on and socket welding flanges are shown in Fig. 328.5.2B; minimum welding dimensions for other socket welding components are shown in Fig. 328.5.2C or MSS SP-119.

(b) If slip-on flanges are single welded, the weld shall be at the hub.

**328.5.3 Seal Welds.** Seal welding shall be done by a qualified welder. Seal welds shall cover all exposed threads.

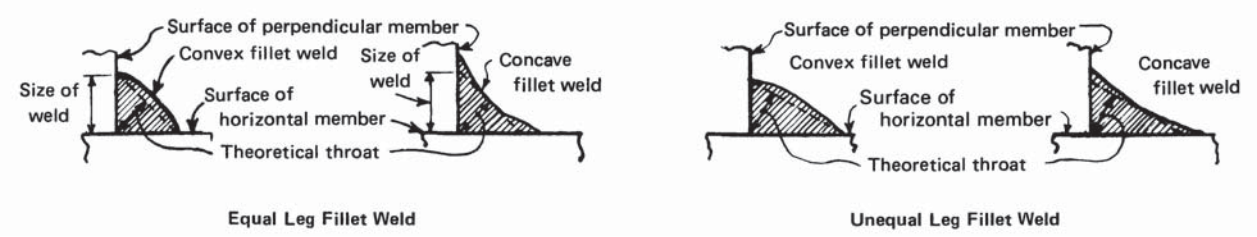
#### 328.5.4 Welded Branch Connections

(a) Figures 328.5.4A through 328.5.4E show acceptable details of branch connections with and without added reinforcement, in which the branch pipe is connected directly to the run pipe. The illustrations are typical and are not intended to exclude acceptable types of construction not shown.

(b) Figure 328.5.4D shows basic types of weld attachments used in the fabrication of branch connections. The location and minimum size of attachment welds shall conform to the requirements herein. Welds shall be calculated in accordance with para. 304.3.3, but shall be not less than the sizes shown in Fig. 328.5.4D.

(c) The nomenclature and symbols used herein and in Fig. 328.5.4D are

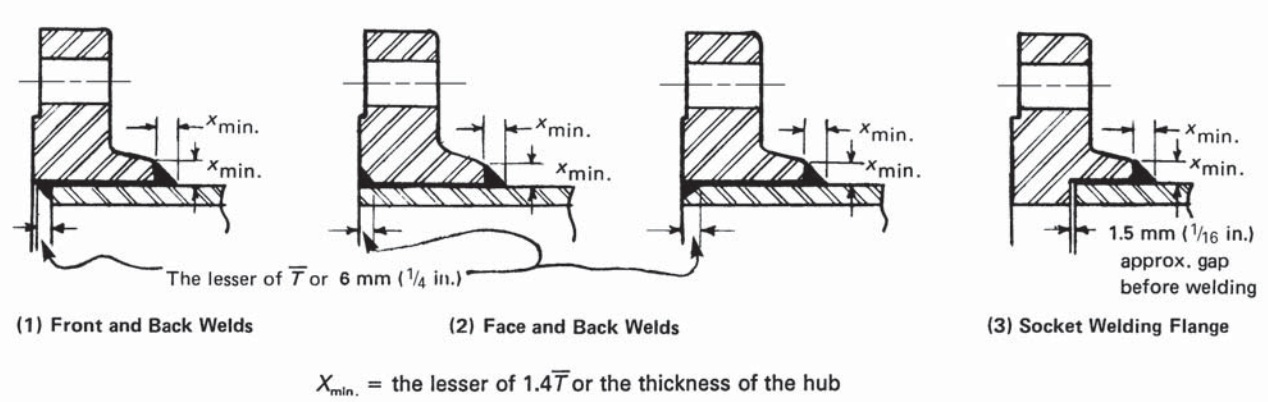
**Fig. 328.5.2A Fillet Weld Size**



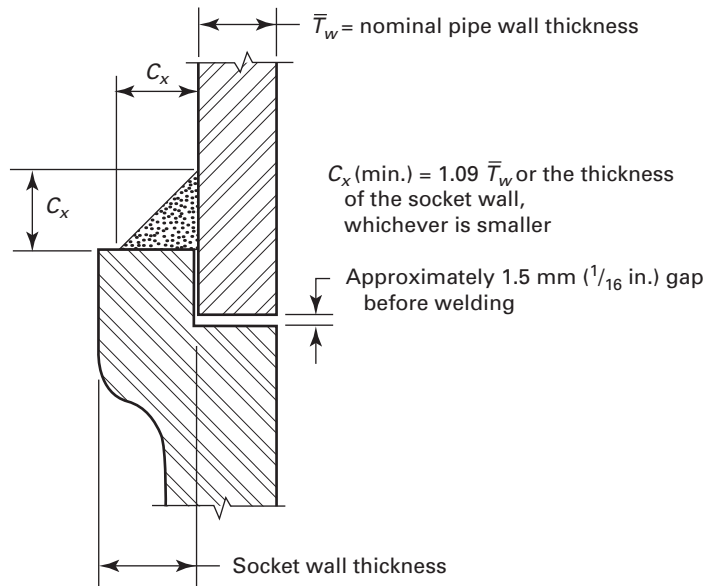
GENERAL NOTE: The size of an equal leg fillet weld is the leg length of the largest inscribed isosceles right triangle (theoretical throat = 0.707 × size).

GENERAL NOTE: The size of unequal leg fillet weld is the leg lengths of the largest right triangle which can be inscribed within the weld cross section [e.g., 13 mm × 19 mm (½ in. × ¾ in.)].

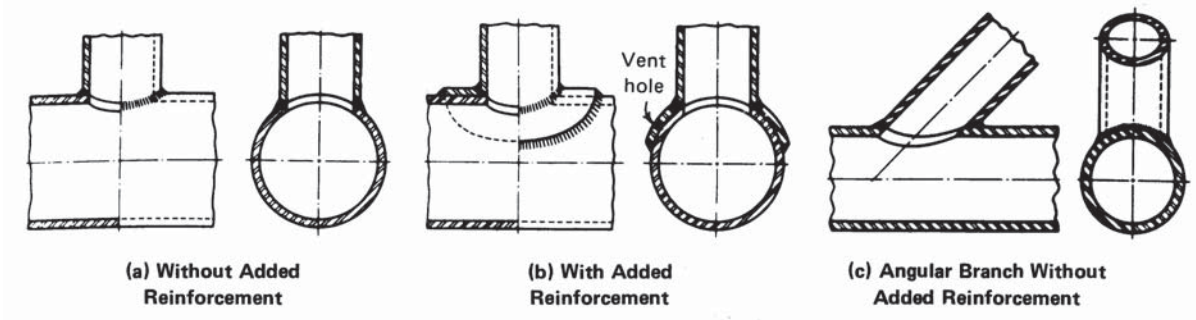
**Fig. 328.5.2B Typical Details for Double-Welded Slip-On and Socket Welding Flange Attachment Welds**



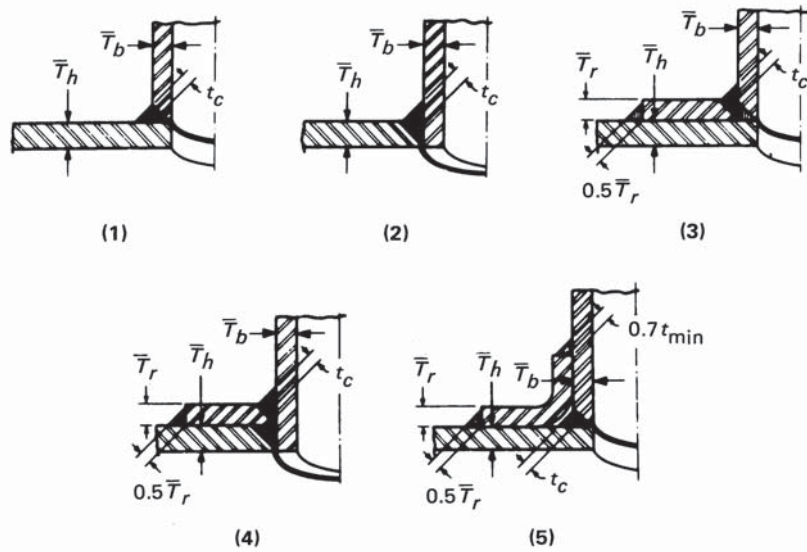
**Fig. 328.5.2C Minimum Welding Dimensions for Socket Welding Components Other Than Flanges**



**Figs. 328.5.4A, B, C Typical Welded Branch Connections**



**Fig. 328.5.4D Acceptable Details for Branch Attachment Welds**



GENERAL NOTE: These sketches show minimum acceptable welds. Welds may be larger than those shown here.

**Fig. 328.5.4E Acceptable Details for Branch Attachment Suitable for 100% Radiography**

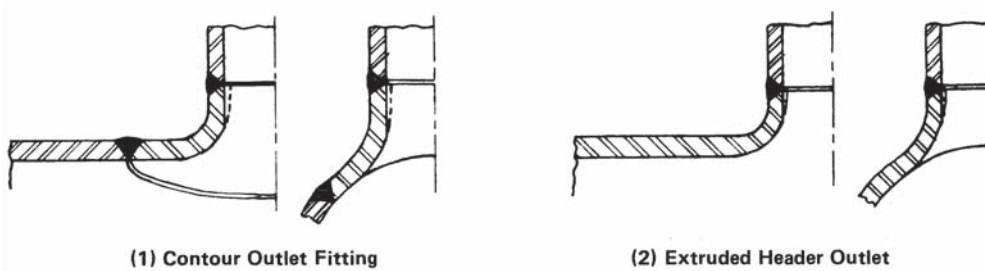
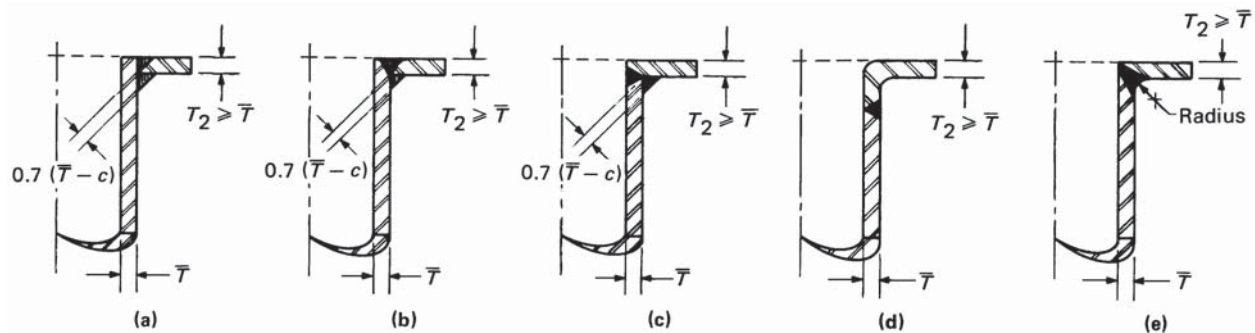


Fig. 328.5.5 Typical Fabricated Laps



GENERAL NOTE: Laps shall be machined (front and back) or trued after welding. Plate flanges in accordance with para. 304.5 or lap joint flanges in accordance with ASME B16.5 may be used. Welds may be machined to radius, as in sketch (e), if necessary to match ASME B16.5 lap joint flanges.

$\bar{T}_b$  = nominal thickness of branch

$\bar{T}_h$  = nominal thickness of header

$\bar{T}_r$  = nominal thickness of reinforcing pad or saddle

$t_c$  = lesser of  $0.7\bar{T}_b$  or 6 mm ( $\frac{1}{4}$  in.)

$t_{min}$  = lesser of  $\bar{T}_b$  or  $\bar{T}_r$

(d) Branch connections, including branch connection fittings (see paras. 300.2 and 304.3.2), which abut the outside of the run or which are inserted in an opening in the run shall be attached by fully penetrated groove welds. The welds shall be finished with cover fillet welds having a throat dimension not less than  $t_c$ . See Fig. 328.5.4D sketches (1) and (2).

(e) A reinforcing pad or saddle shall be attached to the branch pipe by either

(1) a fully penetrated groove weld finished with a cover fillet weld having a throat dimension not less than  $t_c$ , or

(2) a fillet weld having a throat dimension not less than  $0.7t_{min}$ . See Fig. 328.5.4D sketch (5)

(f) The outer edge of a reinforcing pad or saddle shall be attached to the run pipe by a fillet weld having a throat dimension not less than  $0.5\bar{T}_r$ . See Fig. 328.5.4D sketches (3), (4), and (5).

(g) Reinforcing pads and saddles shall have a good fit with the parts to which they are attached. A vent hole shall be provided at the side (not at the crotch) of any pad or saddle to reveal leakage in the weld between branch and run and to allow venting during welding and heat treatment. A pad or saddle may be made in more than one piece if joints between pieces have strength equivalent to pad or saddle parent metal, and if each piece has a vent hole.

(h) Examination and any necessary repairs of the completed weld between branch and run shall be made before adding a pad or saddle.

**328.5.5 Fabricated Laps.** Figure 328.5.5 shows typical fabricated laps. Fabrication shall be in accordance with the applicable requirements of para. 328.5.4.

**328.5.6 Welding for Severe Cyclic Conditions.** A welding procedure shall be employed which provides a smooth, regular, fully penetrated inner surface.

### 328.6 Weld Repair

A weld defect to be repaired shall be removed to sound metal. Repair welds shall be made using a welding procedure qualified in accordance with para. 328.2.1, recognizing that the cavity to be repaired may differ in contour and dimensions from the original joint. Repair welds shall be made by welders or welding operators qualified in accordance with para. 328.2.1. Preheating and heat treatment shall be as required for the original welding. See also para. 341.3.3.

## 330 PREHEATING

### 330.1 General

(12)

Preheating is used, along with heat treatment, to minimize the detrimental effects of high temperature and severe thermal gradients inherent in welding. Preheating and the temperatures to be used shall be specified in the engineering design. The requirements herein apply to all types of welding, including tack welds, repair welds, and seal welds on threaded joints.

**330.1.1 Requirements.** Unless specified otherwise in the engineering design, the minimum preheat temperatures for materials of various P-Numbers are given in Table 330.1.1. The thickness intended in Table 330.1.1 is that of the thicker component measured at the joint. (12)

**330.1.2 Unlisted Materials.** Preheat requirements for an unlisted material shall be specified in the WPS.

### 330.1.3 Temperature Verification

(a) Preheat temperature shall be checked by use of temperature indicating crayons, thermocouple pyrometers, or other suitable means to ensure that the temperature specified in the WPS is obtained prior to and maintained during welding.

(12)

**Table 330.1.1 Preheat Temperatures**

Base Metal P-No. [Note (1)]	Weld Metal Analysis A-No. [Note (2)]	Base Metal Group	Nominal Wall Thickness		Specified Minimum Tensile Strength, Base Metal		Required Minimum Temperature	
			mm	in.	MPa	ksi	°C	°F
1	1	Carbon steel	< 25	< 1	≤ 490	≤ 71	10	50
			≥ 25	≥ 1	All	All	80	175
			All	All	> 490	> 71	80	175
3	2, 11	Alloy steels, Cr ≤ 1/2%	< 13	< 1/2	≤ 490	≤ 71	10	50
			≥ 13	≥ 1/2	All	All	80	175
			All	All	> 490	> 71	80	175
4	3	Alloy steels, 1/2% < Cr ≤ 2%	All	All	All	All	120	250
5A, 5B, 5C	4, 5	Alloy steels, 2 1/4% ≤ Cr ≤ 10%	All	All	All	All	175	350
6	6	High alloy steels martensitic	All	All	All	All	200 <sup>4</sup>	400 <sup>4</sup>
7	7	High alloy steels ferritic	All	All	All	All	10	50
8	8, 9	High alloy steels austenitic	All	All	All	All	10	50
9A	10	Nickel alloy steels	All	All	All	All	120	250
9B	10	Nickel alloy steels	All	All	All	All	150	300
10	...	Cr-Cu steel	All	All	All	All	150	300
10I	...	27Cr steel	All	All	All	All	150 <sup>3</sup>	300 <sup>3</sup>
11A SG 1	...	8Ni, 9Ni steel	All	All	All	All	10	50
11A SG 2	...	5Ni steel	All	All	All	All	10	50
15E	5	Alloy steels 9Cr-1Mo-V	All	All	All	All	200	400
21-52	...	...	All	All	All	All	10	50

## NOTES:

- (1) P-Number from BPV Code, Section IX, QW/QB-422.
- (2) A-Number from Section IX, QW-442.
- (3) Maintain interpass temperature between 175°C–230°C (350°F–450°F).
- (4) Maximum interpass temperature 315°C (600°F).

(b) Thermocouples may be temporarily attached directly to pressure containing parts using the capacitor discharge method of welding without welding procedure and performance qualifications. After thermocouples are removed, the areas shall be visually examined for evidence of defects to be repaired.

**330.1.4 Preheat Zone.** The preheat zone shall extend at least 25 mm (1 in.) beyond each edge of the weld.

### 330.2 Specific Requirements

**330.2.3 Dissimilar Materials.** When materials having different preheat requirements are welded together, it is recommended that the higher temperature shown in Table 330.1.1 be used.

**330.2.4 Interrupted Welding.** If welding is interrupted, the rate of cooling shall be controlled or other means shall be used to prevent detrimental effects in the piping. The preheat specified in the WPS shall be applied before welding is resumed.

## 331 HEAT TREATMENT

Heat treatment is used to avert or relieve the detrimental effects of high temperature and severe temperature gradients inherent in welding, and to relieve residual stresses created by bending and forming. Provisions in para. 331 are basic practices which are suitable for most welding, bending, and forming operations, but not necessarily appropriate for all service conditions.

### 331.1 General

#### (12) 331.1.1 Heat Treatment Requirements

(a) Heat treatment shall be in accordance with the material groupings and thickness ranges in Table 331.1.1 except as provided in paras. 331.2.1 and 331.2.2.

(b) Heat treatment to be used after production welding shall be specified in the WPS and shall be used in qualifying the welding procedure.

(c) The engineering design shall specify the examination and/or other production quality control (not less than the requirements of this Code) to ensure that the final welds are of adequate quality.

(d) Heat treatment for bending and forming shall be in accordance with para. 332.4.

(e) See Table 302.3.5 for special heat treatment requirements for longitudinal or spiral (helical seam) welds in Elevated Temperature Fluid Service.

**331.1.3 Governing Thickness.** When components are joined by welding, the thickness to be used in applying the heat treatment provisions of Table 331.1.1 shall be that of the thicker component measured at the joint, except as follows:

(a) In the case of branch connections, metal (other than weld metal) added as reinforcement, whether an

integral part of a branch fitting or attached as a reinforcing pad or saddle, shall not be considered in determining heat treatment requirements. Heat treatment is required, however, when the thickness through the weld in any plane through the branch is greater than twice the minimum material thickness requiring heat treatment, even though the thickness of the components at the joint is less than the minimum thickness. Thickness through the weld for the details shown in Fig. 328.5.4D shall be computed using the following formulas:

$$\text{sketch (1)} = \bar{T}_b + t_c$$

$$\text{sketch (2)} = \bar{T}_h + t_c$$

$$\text{sketch (3)} = \text{greater of } \bar{T}_b + t_c \text{ or } \bar{T}_r + t_c$$

$$\text{sketch (4)} = \bar{T}_h + \bar{T}_r + t_c$$

$$\text{sketch (5)} = \bar{T}_b + t_c$$

(b) In the case of fillet welds at slip-on and socket welding flanges and piping connections DN 50 (NPS 2) and smaller, for seal welding of threaded joints in piping DN 50 and smaller, and for attachment of external non-pressure parts such as lugs or other pipe supporting elements in all pipe sizes, heat treatment is required when the thickness through the weld in any plane is more than twice the minimum material thickness requiring heat treatment (even though the thickness of the components at the joint is less than that minimum thickness) except as follows:

(1) not required for P-No. 1 materials when weld throat thickness is 16 mm ( $\frac{5}{8}$  in.) or less, regardless of base metal thickness.

(2) not required for P-No. 3, 4, 5, or 10A materials when weld throat thickness is 13 mm ( $\frac{1}{2}$  in.) or less, regardless of base metal thickness, provided that not less than the recommended preheat is applied, and the specified minimum tensile strength of the base metal is less than 490 MPa (71 ksi).

(3) not required for ferritic materials when welds are made with filler metal which does not air harden. Austenitic welding materials may be used for welds to ferritic materials when the effects of service conditions, such as differential thermal expansion due to elevated temperature, or corrosion, will not adversely affect the weldment.

**331.1.4 Heating and Cooling.** The heating method shall provide the required metal temperature, metal temperature uniformity, and temperature control, and may include an enclosed furnace, local flame heating, electric resistance, electric induction, or exothermic chemical reaction. The cooling method shall provide the required or desired cooling rate and may include cooling in a furnace, in air, by application of local heat or insulation, or by other suitable means.

Table 331.1.1 Requirements for Heat Treatment

Base Metal P-No. [Note (1)]	Weld Metal Analysis A-Number [Note (2)]	Base Metal Group	Nominal Wall Thickness		Tensile Strength, Base Metal		Metal Temperature Range		Holding Time		Brinell Hardness, Max. [Note (4)]
			mm	in.	MPa	ksi	°C	°F	Nominal Wall [Note (3)]	Min. Time, h	
1	1	Carbon steel	≤ 20 > 20	≤ 3/4 > 3/4	All All	All All	None 1,100–1,200	None	... 2.4	... 1	... ...
3	2, 11	Alloy steels, Cr ≤ 1/2%	≤ 20 > 20 All	≤ 3/4 > 3/4 All	≤ 490 All > 490	≤ 71 All > 71	None 1,100–1,325 1,100–1,325	None	... 2.4 2.4	... 1 1	... 225 225
4 [Note (5)]	3	Alloy steels, 1/2% < Cr ≤ 2%	≤ 13 > 13 All	≤ 1/2 > 1/2 All	≤ 490 All > 490	≤ 71 All > 71	None 704–746 704–746	None	... 2.4 2.4	... 1 1	... 225 225
5A, 5B, 5C [Note (5)]	4, 5	Alloy steels (2 1/4% ≤ Cr ≤ 10%) ≤ 3% Cr and ≤ 0.15% C ≤ 3% Cr and ≤ 0.15% C > 3% Cr or > 0.15% C	≤ 13 > 13 All	≤ 1/2 > 1/2 All	All All All	All All All	None 704–760 704–760	None	... 2.4 2.4	... 2 2	... 241 241
6	6	High alloy steels martensitic A240 Gr. 429	All All	All All	All All	All All	732–788 621–663	1,350–1,450 1,150–1,225	2.4 2.4	1 1	241 241
7	7	High alloy steels ferritic	All	All	All	All	None	None	...	...	...
8	8, 9	High alloy steels austenitic	All	All	All	All	None	None	...	...	...
9A, 9B	10	Nickel alloy steels	≤ 20 > 20	≤ 3/4 > 3/4	All All	All All	None 593–635	None	... 1.2	... 1/2	... ...
10	...	Cr–Cu steel	All	All	All	All	760–816 [Note (6)]	1,400–1,500 [Note (6)]	1.2	1/2	...



**Table 331.1.1.1 Requirements for Heat Treatment (Cont'd)**

Base Metal P-No. [Note (1)]	Weld Metal Analysis A-Number [Note (2)]	Base Metal Group	Nominal Wall Thickness		Specified Min. Tensile Strength, Base Metal		Metal Temperature Range		Holding Time		Brinell Hardness, Max. [Note (4)]	
			mm	in.	MPa	ksi	°C	°F	min/mm	Nominal Wall [Note (3)] hr/in.		Min. Time, h
10H	...	Duplex stainless steel	All	All	All	All	Note (7)	Note (7)	1.2	1/2	1/2	...
10I	...	27Cr steel	All	All	All	All	663-704 [Note (8)]	1,225-1,300 [Note (8)]	2.4	1	1	...
11A SG 1	...	8Ni, 9Ni steel	≤ 51 > 51	≤ 2 > 2	All All	All All	None 552-585 [Note (9)]	None 1,025-1,085 [Note (9)]	...	...	...	...
11A SG 2	...	5Ni steel	> 51	> 2	All	All	552-585 [Note (9)]	1,025-1,085 [Note (9)]	2.4	1	1	...
15E	5	Alloy steels 9Cr-1Mo-V	All	All	All	All	732-774 [Note (9)]	1,350-1,425 [Note (9)]	2.4	1	2	250
62	...	Zr R60705	All	All	All	All	538-593 [Note (10)]	1,000-1,100 [Note (10)]	Note (10)	Note (10)	1	...

**NOTES:**

- (1) P-Number from BPV Code, Section IX, QW/QB-422.
- (2) A-Number from Section IX, QW-442.
- (3) For holding time in SI metric units, use min/mm (minutes per mm thickness). For U.S. units, use hr/in. thickness.
- (4) See para. 331.1.7.
- (5) See Appendix F, para. F331.1.
- (6) Cool as rapidly as possible after the hold period.
- (7) Postweld heat treatment is neither required nor prohibited, but any heat treatment applied shall be as required in the material specification.
- (8) Cooling rate to 649°C (1,200°F) shall be less than 56°C (100°F)/h; thereafter, the cooling rate shall be fast enough to prevent embrittlement.
- (9) Cooling rate shall be > 167°C (300°F)/h to 316°C (600°F).
- (10) Heat treat within 14 days after welding. Hold time shall be increased by 1/2 h for each 25 mm (1 in.) over 25 mm thickness. Cool to 427°C (800°F) at a rate ≤ 278°C (500°F)/h, per 25 mm (1 in.) nominal thickness, 278°C (500°F)/h max. Cool in still air from 427°C (800°F).

**331.1.6 Temperature Verification.** Heat treatment temperature shall be checked by thermocouple pyrometers or other suitable methods to ensure that the WPS requirements are met. See para. 330.1.3(b) for attachment of thermocouples by the capacitor discharge method of welding.

**331.1.7 Hardness Tests.** Hardness tests of production welds and of hot bent and hot formed piping are intended to verify satisfactory heat treatment. The hardness limit applies to the weld and to the heat affected zone (HAZ) tested as close as practicable to the edge of the weld.

(a) Where a hardness limit is specified in Table 331.1.1, at least 10% of welds, hot bends, and hot formed components in each furnace heat treated batch and 100% of those locally heat treated shall be tested.

(b) When dissimilar metals are joined by welding, the hardness limits specified for the base and welding materials in Table 331.1.1 shall be met for each material.

### 331.2 Specific Requirements

Where warranted by experience or knowledge of service conditions, alternative methods of heat treatment or exceptions to the basic heat treatment provisions of para. 331.1 may be adopted as provided in paras. 331.2.1 and 331.2.2.

**331.2.1 Alternative Heat Treatment.** Normalizing, or normalizing and tempering, or annealing may be applied in lieu of the required heat treatment after welding, bending, or forming, provided that the mechanical properties of any affected weld and base metal meet specification requirements after such treatment and that the substitution is approved by the designer.

**331.2.2 Exceptions to Basic Requirements.** As indicated in para. 331, the basic practices therein may require modification to suit service conditions in some cases. In such cases, the designer may specify more stringent requirements in the engineering design, including heat treatment and hardness limitations for lesser thickness, or may specify less stringent heat treatment and hardness requirements, including none.

When provisions less stringent than those in para. 331 are specified, the designer must demonstrate to the owner's satisfaction the adequacy of those provisions by comparable service experience, considering service temperature and its effects, frequency and intensity of thermal cycling, flexibility stress levels, probability of brittle failure, and other pertinent factors. In addition, appropriate tests shall be conducted, including WPS qualification tests.

#### 331.2.3 Dissimilar Materials

(a) Heat treatment of welded joints between dissimilar ferritic metals or between ferritic metals using dissimilar ferritic filler metal shall be at the higher of the

temperature ranges in Table 331.1.1 for the materials in the joint.

(b) Heat treatment of welded joints including both ferritic and austenitic components and filler metals shall be as required for the ferritic material or materials unless otherwise specified in the engineering design.

**331.2.4 Delayed Heat Treatment.** If a weldment is allowed to cool prior to heat treatment, the rate of cooling shall be controlled or other means shall be used to prevent detrimental effects in the piping.

**331.2.5 Partial Heat Treatment.** When an entire piping assembly to be heat treated cannot be fitted into the furnace, it is permissible to heat treat in more than one heat, provided there is at least 300 mm (1 ft) overlap between successive heats, and that parts of the assembly outside the furnace are protected from harmful temperature gradients.

**331.2.6 Local Heat Treatment.** When heat treatment is applied locally, a circumferential band of the run pipe, and of the branch where applicable, shall be heated until the specified temperature range exists over the entire pipe section(s), gradually diminishing beyond a band which includes the weldment or the bent or formed section and at least 25 mm (1 in.) beyond the ends thereof.

## 332 BENDING AND FORMING

### 332.1 General

Pipe may be bent and components may be formed by any hot or cold method which is suitable for the material, the fluid service, and the severity of the bending or forming process. The finished surface shall be free of cracks and substantially free from buckling. Thickness after bending or forming shall be not less than that required by the design.

### 332.2 Bending

**332.2.1 Bend Flattening.** Flattening of a bend, the difference between maximum and minimum diameters at any cross section, shall not exceed 8% of nominal outside diameter for internal pressure and 3% for external pressure. Removal of metal shall not be used to achieve these requirements.

#### 332.2.2 Bending Temperature

(a) Cold bending of ferritic materials shall be done at a temperature below the transformation range.

(b) Hot bending shall be done at a temperature above the transformation range and in any case within a temperature range consistent with the material and the intended service.

**332.2.3 Corrugated and Other Bends.** Dimensions and configuration shall conform to the design qualified in accordance with para. 306.2.2.

### 332.3 Forming

The temperature range for forming shall be consistent with material, intended service, and specified heat treatment.

### 332.4 Required Heat Treatment

Heat treatment shall be performed in accordance with para. 331.1.1 when required by the following.

**332.4.1 Hot Bending and Forming.** After hot bending and forming, heat treatment is required for P-Nos. 3, 4, 5, 6, and 10A materials in all thicknesses. Durations and temperatures shall be in accordance with para. 331.

**332.4.2 Cold Bending and Forming.** After cold bending and forming, heat treatment is required (for all thicknesses, and with temperature and duration as given in Table 331.1.1) when any of the following conditions exist:

(a) for P-Nos. 1 through 6 materials, where the maximum calculated fiber elongation after bending or forming exceeds 50% of specified basic minimum elongation (in the direction of severest forming) for the applicable specification, grade, and thickness. This requirement may be waived if it can be demonstrated that the selection of pipe and the choice of bending or forming process provide assurance that, in the finished condition, the most severely strained material retains at least 10% elongation.

(b) for any material requiring impact testing, where the maximum calculated fiber elongation after bending or forming will exceed 5%.

(c) when specified in the engineering design.

## (12) 333 BRAZING AND SOLDERING

### 333.1 Qualification

**333.1.1 Brazing Qualification.** The qualification of brazing procedures, brazers, and brazing operators shall be in accordance with para. 328.2. For Category D Fluid Service at design temperature not over 93°C (200°F), such qualification is not required unless specified in the engineering design.

**333.1.2 Soldering Qualification.** The qualification of solderers shall be in accordance with the requirements of ASTM B828, Standard Practice for Making Capillary Joints by Soldering of Copper and Copper Alloy Tube and Fittings.

### 333.2 Brazing and Soldering Materials

**333.2.1 Brazing Filler Metal and Flux.** Brazing filler metal and flux shall comply with AWS A5.8, Specification for Filler Metals for Brazing and Braze Welding, and AWS A5.31, Specification for Fluxes for Brazing and Braze Welding, respectively, or other filler metals and fluxes that have been qualified in accordance with ASME Section IX.

**333.2.2 Soldering Filler Metal and Flux.** Soldering filler metal and flux shall comply with ASTM B32, Standard Specification for Solder Metal, and ASTM B813, Standard Specification for Liquid and Paste Fluxes for Soldering of Copper and Copper Alloy Tube, respectively.

### 333.3 Preparation and Cleaning

**333.3.1 Surface Preparation.** The surfaces to be brazed or soldered shall be clean and free from grease, oxides, paint, scale, and dirt of any kind. A suitable chemical or mechanical cleaning method shall be used if necessary to provide a clean wettable surface.

**333.3.2 Joint Clearance.** The clearance between surfaces to be joined by soldering or brazing shall be no larger than necessary to allow complete capillary distribution of the filler metal.

**333.3.3 Flux Removal.** Residual flux shall be removed.

## 335 ASSEMBLY AND ERECTION

### 335.1 Alignment

(a) *Piping Distortions.* Any distortion of piping to bring it into alignment for joint assembly which introduces a detrimental strain in equipment or piping components is prohibited.

(b) *Cold Spring.* Before assembling any joints to be cold sprung, guides, supports, and anchors shall be examined for errors which might interfere with desired movement or lead to undesired movement. The gap or overlap of piping prior to assembly shall be checked against the drawing and corrected if necessary. Heating shall not be used to help in closing the gap because it defeats the purpose of cold springing.

(c) *Flanged Joints.* Unless otherwise specified in the engineering design, flanged joints shall be aligned as described in subparagraphs (1) or (2), and (3).

(1) Before bolting, mating gasket contact surfaces shall be aligned to each other within 1 mm in 200 mm ( $\frac{1}{16}$  in./ft), measured across any diameter.

(2) The flanged joint shall be capable of being bolted such that the gasket contact surfaces bear uniformly on the gasket.

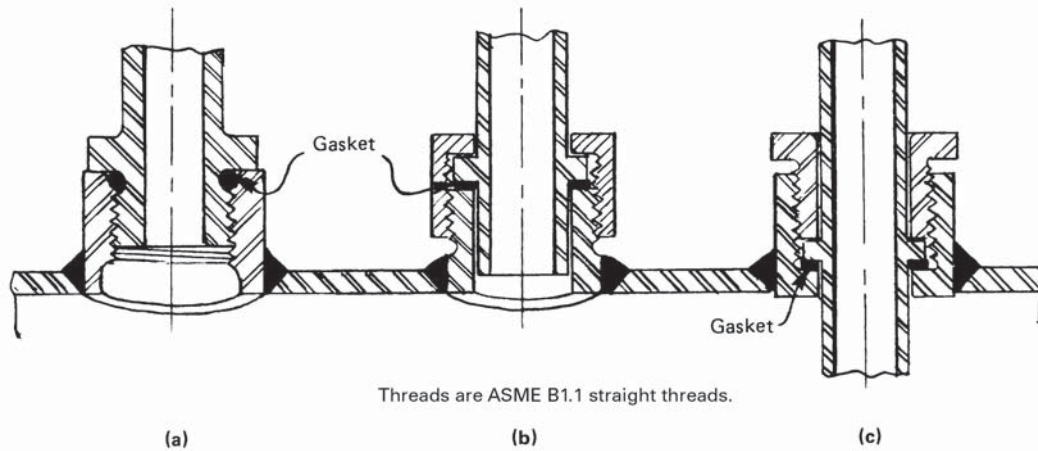
(3) Flange bolt holes shall be aligned within 3 mm ( $\frac{1}{8}$  in.) maximum offset.

### 335.2 Flanged Joints

**335.2.1 Preparation for Assembly.** Any damage to the gasket seating surface which would prevent gasket seating shall be repaired, or the flange shall be replaced.

#### 335.2.2 Bolting Torque

(a) In assembling flanged joints, the gasket shall be uniformly compressed to the proper design loading.

**Fig. 335.3.3 Typical Threaded Joints Using Straight Threads**

(b) Special care shall be used in assembling flanged joints in which the flanges have widely differing mechanical properties. Tightening to a predetermined torque is recommended.

**335.2.3 Bolt Length.** Bolts should extend completely through their nuts. Any which fail to do so are considered acceptably engaged if the lack of complete engagement is not more than one thread.

**335.2.4 Gaskets.** No more than one gasket shall be used between contact faces in assembling a flanged joint.

### 335.3 Threaded Joints

**335.3.1 Thread Compound or Lubricant.** Any compound or lubricant used on threads shall be suitable for the service conditions and shall not react unfavorably with either the service fluid or the piping material.

**335.3.2 Joints for Seal Welding.** A threaded joint to be seal welded shall be made up without thread compound. A joint containing thread compound which leaks during leak testing may be seal welded in accordance with para. 328.5.3, provided all compound is removed from exposed threads.

**335.3.3 Straight Threaded Joints.** Typical joints using straight threads, with sealing at a surface other than the threads, are shown in Fig. 335.3.3 sketches (a), (b), and (c). Care shall be taken to avoid distorting the seat when incorporating such joints into piping assemblies by welding, brazing, or bonding.

### 335.4 Tubing Joints

**335.4.1 Flared Tubing Joints.** The sealing surface of the flare shall be examined for imperfections before

assembly and any flare having imperfections shall be rejected.

#### 335.4.2 Flareless and Compression Tubing Joints.

Where the manufacturer's instructions call for a specified number of turns of the nut, these shall be counted from the point at which the nut becomes finger tight.

### 335.5 Caulked Joints

Caulked joints shall be installed and assembled in accordance with the manufacturer's instructions, as modified by the engineering design. Care shall be taken to ensure adequate engagement of joint members.

### 335.6 Expanded Joints and Special Joints

**335.6.1 General.** Expanded joints and special joints (as defined in para. 318) shall be installed and assembled in accordance with the manufacturer's instructions, as modified by the engineering design. Care shall be taken to ensure adequate engagement of joint members.

**335.6.2 Packed Joints.** Where a packed joint is used to absorb thermal expansion, proper clearance shall be provided at the bottom of the socket to permit this movement.

### 335.9 Cleaning of Piping

See Appendix F, para. F335.9.

### 335.10 Identification of Piping

See Appendix F, para. F335.10.

## Chapter VI

# Inspection, Examination, and Testing

### 340 INSPECTION

#### 340.1 General

This Code distinguishes between examination (see para. 341) and inspection. Inspection applies to functions performed for the owner by the owner's Inspector or the Inspector's delegates. References in this Code to the "Inspector" are to the owner's Inspector or the Inspector's delegates.

#### 340.2 Responsibility for Inspection

It is the owner's responsibility, exercised through the owner's Inspector, to verify that all required examinations and testing have been completed and to inspect the piping to the extent necessary to be satisfied that it conforms to all applicable examination requirements of the Code and of the engineering design.

#### 340.3 Rights of the Owner's Inspector

The owner's Inspector and the Inspector's delegates shall have access to any place where work concerned with the piping installation is being performed. This includes manufacture, fabrication, heat treatment, assembly, erection, examination, and testing of the piping. They shall have the right to audit any examination, to inspect the piping using any examination method specified by the engineering design, and to review all certifications and records necessary to satisfy the owner's responsibility stated in para. 340.2.

#### (12) 340.4 Qualifications of the Owner's Inspector

(a) The owner's Inspector shall be designated by the owner and shall be the owner, an employee of the owner, an employee of an engineering or scientific organization, or of a recognized insurance or inspection company acting as the owner's agent. The owner's Inspector shall not represent nor be an employee of the piping manufacturer, fabricator, or erector unless the owner is also the manufacturer, fabricator, or erector.

(b) The owner's Inspector shall meet one of the following requirements:

(1) have at least 10 years of experience in the design, fabrication, or examination of industrial pressure piping. Each 20% of satisfactorily completed work toward an accredited engineering degree shall be considered equivalent to 1 year of experience, up to 5 years total.

(2) have a professional engineering registration or nationally recognized equivalent with at least 5 years of

experience in the design, fabrication, or examination of industrial pressure piping.

(3) be a certified welding inspector or a senior certified welding inspector as defined in AWS QC1, Standard for AWS Certification of Welding Inspectors, or nationally recognized equivalent with at least 5 years of experience in the design, fabrication, or examination of industrial pressure piping.

(4) be an authorized piping inspector as defined in API 570, Piping Inspection Code: In-service Inspection, Rating, Repair, and Alteration of Piping Systems, with at least 5 years of experience in the design, fabrication, or examination of industrial pressure piping.

(c) In delegating performance of inspection, the owner's Inspector is responsible for determining that a person to whom an inspection function is delegated is qualified to perform that function.

### 341 EXAMINATION

#### 341.1 General

Examination applies to quality control functions performed by the manufacturer (for components only), fabricator, or erector. Reference in this Code to an examiner is to a person who performs quality control examinations.

#### 341.2 Responsibility for Examination

Inspection does not relieve the manufacturer, the fabricator, or the erector of the responsibility for

(a) providing materials, components, and workmanship in accordance with the requirements of this Code and of the engineering design [see para. 300(b)(3)]

(b) performing all required examinations

(c) preparing suitable records of examinations and tests for the Inspector's use

#### 341.3 Examination Requirements

**341.3.1 General.** Prior to initial operation each piping installation, including components and workmanship, shall be examined in accordance with the applicable requirements of para. 341. The type and extent of any additional examination required by the engineering design, and the acceptance criteria to be applied, shall be specified. Joints not included in examinations required by para. 341.4 or by the engineering design are accepted if they pass the leak test required by para. 345.

(a) For P-Nos. 3, 4, and 5 materials, examination shall be performed after completion of any heat treatment.

(b) For a welded branch connection the examination of and any necessary repairs to the pressure containing weld shall be completed before any reinforcing pad or saddle is added.

**341.3.2 Acceptance Criteria.** Acceptance criteria shall be as stated in the engineering design and shall at least meet the applicable requirements stated below, in para. 344.6.2 for ultrasonic examination of welds, and elsewhere in the Code.

(a) Table 341.3.2 states acceptance criteria (limits on imperfections) for welds. See Fig. 341.3.2 for typical weld imperfections.

(b) Acceptance criteria for castings are specified in para. 302.3.3.

**341.3.3 Defective Components and Workmanship.**

An examined item with one or more defects (imperfections of a type or magnitude exceeding the acceptance criteria of this Code) shall be repaired or replaced; and the new work shall be reexamined by the same methods, to the same extent, and by the same acceptance criteria as required for the original work.

(12) **341.3.4 Progressive Sampling for Examination.**

When required spot or random examination reveals a defect, then

(a) two additional samples of the same kind (if welded or bonded joints, by the same welder, bonder, or operator) from the original designated lot shall be given the same type of examination

(b) if the items examined as required by (a) above are acceptable, the defective item shall be repaired or replaced and reexamined as specified in para. 341.3.3, and all items represented by these two additional samples shall be accepted, but

(c) if any of the items examined as required by (a) above reveals a defect, two further samples of the same kind shall be examined for each defective item found by that sampling

(d) if all the items examined as required by (c) above are acceptable, the defective item(s) shall be repaired or replaced and reexamined as specified in para. 341.3.3, and all items represented by the additional sampling shall be accepted, but

(e) if any of the items examined as required by (c) above reveals a defect, all items represented by the progressive sampling shall be either

(1) repaired or replaced and reexamined as required, or

(2) fully examined and repaired or replaced as necessary, and reexamined as necessary to meet the requirements of this Code

(f) If any of the defective items are repaired or replaced, reexamined, and a defect is again detected in the repaired or replaced item, continued progressive

sampling in accordance with (a), (c), and (e) is not required based on the defects found in the repair. The defective item(s) shall be repaired or replaced and reexamined until acceptance as specified in para. 341.3.3. Spot or random examination (whichever is applicable) is then performed on the remaining unexamined joints.

**341.4 Extent of Required Examination**

**341.4.1 Examination — Normal Fluid Service.** Piping (12) in Normal Fluid Service shall be examined to the extent specified herein or to any greater extent specified in the engineering design. Acceptance criteria are as stated in para. 341.3.2 and in Table 341.3.2, for Normal Fluid Service unless otherwise specified.

(a) *Visual Examination.* At least the following shall be examined in accordance with para. 344.2:

(1) sufficient materials and components, selected at random, to satisfy the examiner that they conform to specifications and are free from defects.

(2) at least 5% of fabrication. For welds, each welder's and welding operator's work shall be represented.

(3) 100% of fabrication for longitudinal welds, except those in components made in accordance with a listed specification. See para 341.5.1(a) for examination of longitudinal welds required to have a joint factor,  $E_j$ , of 0.90.

(4) random examination of the assembly of threaded, bolted, and other joints to satisfy the examiner that they conform to the applicable requirements of para. 335. When pneumatic testing is to be performed, all threaded, bolted, and other mechanical joints shall be examined.

(5) random examination during erection of piping, including checking of alignment, supports, and cold spring.

(6) examination of erected piping for evidence of defects that would require repair or replacement, and for other evident deviations from the intent of the design.

(b) *Other Examination*

(1) Not less than 5% of circumferential butt and miter groove welds shall be examined fully by random radiography in accordance with para. 344.5 or by random ultrasonic examination in accordance with para. 344.6. The welds to be examined in each designated lot shall include the work product of each welder or welding operator whose welds are part of the lot. They shall also be selected to maximize coverage of intersections with longitudinal joints. When a circumferential weld with an intersecting longitudinal weld(s) is examined, at least the adjacent 38 mm (1½ in.) of each intersecting weld shall be examined. In-process examination in accordance with para. 344.7 may be substituted for all or part of the radiographic or ultrasonic examination on a weld-for-weld basis if specified in the engineering design or specifically authorized by the Inspector.

**Table 341.3.2 Acceptance Criteria for Welds and Examination Methods for Evaluating Weld Imperfections**

Criteria (A to M) for Types of Welds and for Service Conditions [Note (1)]										Examination Methods				
Normal and Category M Fluid Service		Severe Cyclic Conditions				Category D Fluid Service				Weld Imperfection	Visual	Radiography	Magnetic Particle	Liquid Penetrant
Type of Weld		Type of Weld				Type of Weld								
Longitudinal Groove [Note (3)]	Fillet [Note (4)]	Girth, Miter Groove & Branch Connection [Note (2)]	Longitudinal Groove [Note (3)]	Fillet [Note (4)]	Girth and Miter Groove	Longitudinal Groove [Note (3)]	Fillet [Note (4)]	Branch Connection [Note (2)]						
A	A	A	A	A	A	A	A	A	A	Crack	✓	✓	✓	✓
A	A	A	A	A	C	A	A	N/A	A	Lack of fusion	✓	✓	✓	✓
B	A	A	A	N/A	C	A	A	N/A	B	Incomplete penetration	✓	✓	✓	✓
E	E	D	D	N/A	N/A	N/A	N/A	N/A	N/A	Internal porosity	✓	✓	✓	✓
G	G	F	F	N/A	N/A	N/A	N/A	N/A	N/A	Internal slag inclusion, tungsten inclusion, or elongated indication	✓	✓	✓	✓
H	A	A	A	A	I	A	A	H	H	Undercutting	✓	✓	✓	✓
A	A	A	A	A	A	A	A	A	A	Surface porosity or exposed slag inclusion [Note (5)]	✓	✓	✓	✓
N/A	N/A	J	J	J	N/A	N/A	N/A	N/A	N/A	Surface finish	✓	✓	✓	✓
K	K	K	K	N/A	K	N/A	K	N/A	K	Concave root surface (suck up)	✓	✓	✓	✓
L	L	L	L	L	M	M	M	M	M	Weld reinforcement or internal protrusion	✓	✓	✓	✓

**GENERAL NOTES:**

- (a) Weld imperfections are evaluated by one or more of the types of examination methods given, as specified in paras. 341.4.1, 341.4.2, 341.4.3, and M341.4, or by the engineering design.
- (b) "N/A" indicates the Code does not establish acceptance criteria or does not require evaluation of this kind of imperfection for this type of weld.
- (c) Check (✓) indicates examination method generally used for evaluating this kind of weld imperfection.
- (d) Ellipsis (. . .) indicates examination method not generally used for evaluating this kind of weld imperfection.

Criterion Value Notes for Table 341.3.2

Symbol	Criterion Measure	Acceptable Value Limits [Note (6)]
A	Extent of imperfection	Zero (no evident imperfection)
B	Depth of incomplete penetration Cumulative length of incomplete penetration	$\leq 1 \text{ mm } (\frac{1}{32} \text{ in.})$ and $\leq 0.2\bar{T}_w$ $\leq 38 \text{ mm } (1.5 \text{ in.})$ in any 150 mm (6 in.) weld length
C	Depth of lack of fusion and incomplete penetration Cumulative length of lack of fusion and incomplete penetration [Note (7)]	$\leq 0.2\bar{T}_w$ $\leq 38 \text{ mm } (1.5 \text{ in.})$ in any 150 mm (6 in.) weld length
D	Size and distribution of internal porosity	See BPV Code, Section VIII, Division 1, Appendix 4
E	Size and distribution of internal porosity	For $\bar{T}_w \leq 6 \text{ mm } (\frac{1}{4} \text{ in.})$ , limit is same as D For $\bar{T}_w > 6 \text{ mm } (\frac{1}{4} \text{ in.})$ , limit is $1.5 \times D$
F	Slag inclusion, tungsten inclusion, or elongated indication Individual length Individual width Cumulative length	$\leq \bar{T}_w/3$ $\leq 2.5 \text{ mm } (\frac{1}{32} \text{ in.})$ and $\leq \bar{T}_w/3$ $\leq \bar{T}_w$ in any $12\bar{T}_w$ weld length
G	Slag inclusion, tungsten inclusion, or elongated indication Individual length Individual width Cumulative length	$\leq 2\bar{T}_w$ $\leq 3 \text{ mm } (\frac{1}{8} \text{ in.})$ and $\leq \bar{T}_w/2$ $\leq 4\bar{T}_w$ in any 150 mm (6 in.) weld length
H	Depth of undercut	$\leq 1 \text{ mm } (\frac{1}{32} \text{ in.})$ and $\leq \bar{T}_w/4$
I	Depth of undercut	$\leq 1.5 \text{ mm } (\frac{1}{16} \text{ in.})$ and $\leq [\bar{T}_w/4 \text{ or } 1 \text{ mm } (\frac{1}{32} \text{ in.})]$
J	Surface roughness	$\leq 500 \text{ min. } R_a$ in accordance with ASME B46.1
K	Depth of root surface concavity	Total joint thickness, incl. weld reinf., $\geq \bar{T}_w$
L	Height of reinforcement or internal protrusion [Note (8)] in any plane through the weld shall be within limits of the applicable height value in the tabulation at right, except as provided in Note (9). Weld metal shall merge smoothly into the component surfaces.	For $\bar{T}_w$ , mm (in.) $\leq 6 (\frac{1}{4})$ $> 6 (\frac{1}{4}), \leq 13 (\frac{1}{2})$ $> 13 (\frac{1}{2}), \leq 25 (1)$ $> 25 (1)$ Height, mm (in.) $\leq 1.5 (\frac{1}{16})$ $\leq 3 (\frac{1}{8})$ $\leq 4 (\frac{1}{4})$ $\leq 5 (\frac{1}{2})$
M	Height of reinforcement or internal protrusion [Note (8)] as described in L. Note (9) does not apply.	Limit is twice the value applicable for L above

Notes follow on next page



**(12) Table 341.3.2 Acceptance Criteria for Welds and Examination Methods for Evaluating Weld Imperfections (Cont'd)**

## NOTES:

- (1) Criteria given are for required examination. More stringent criteria may be specified in the engineering design. See also paras. 341.5 and 341.5.3.
- (2) Branch connection weld includes pressure containing welds in branches and fabricated laps.
- (3) Longitudinal groove weld includes straight and spiral (helical) seam. Criteria are not intended to apply to welds made in accordance with a standard listed in Table A-1 or Table 326.1. Alternative Leak Test requires examination of these welds; see para. 345.9.
- (4) Fillet weld includes socket and seal welds, and attachment welds for slip-on flanges, branch reinforcement, and supports.
- (5) These imperfections are evaluated only for welds  $\leq 5$  mm ( $\frac{1}{16}$  in.) in nominal thickness.
- (6) Where two limiting values are separated by "and," the lesser of the values determines acceptance. Where two sets of values are separated by "or," the larger value is acceptable.  $\bar{T}_w$  is the nominal wall thickness of the thinner of two components joined by a butt weld.
- (7) Tightly butted unfused root faces are unacceptable.
- (8) For groove welds, height is the lesser of the measurements made from the surfaces of the adjacent components; both reinforcement and internal protrusion are permitted in a weld. For fillet welds, height is measured from the theoretical throat, Fig. 328.5.2A; internal protrusion does not apply.
- (9) For welds in aluminum alloy only, internal protrusion shall not exceed the following values:
  - (a) 1.5 mm ( $\frac{1}{16}$  in.) for thickness  $\leq 2$  mm ( $\frac{1}{4}$  in.)
  - (b) 2.5 mm ( $\frac{1}{32}$  in.) for thickness  $> 2$  mm and  $\leq 6$  mm ( $\frac{1}{4}$  in.)

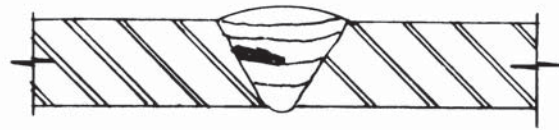
For external reinforcement and for greater thicknesses, see the tabulation for symbol L.

**Fig. 341.3.2 Typical Weld Imperfections**



Lack of fusion between weld bead and base metal

**(a) Side Wall Lack of Fusion**



**(b) Lack of Fusion Between Adjacent Passes**



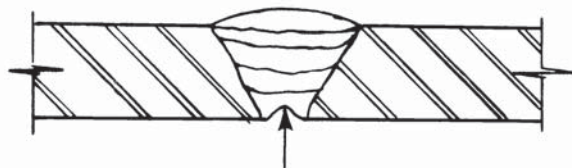
Incomplete filling at root on one side only

**(c) Incomplete Penetration due to Internal Misalignment**



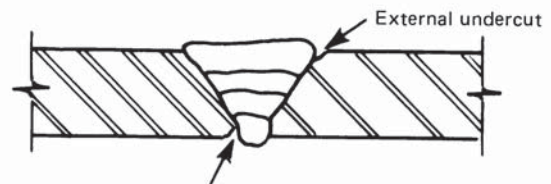
Incomplete filling at root

**(d) Incomplete Penetration of Weld Groove**



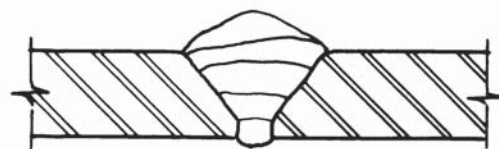
Root bead fused to both inside surfaces but center of root slightly below inside surface of pipe (not incomplete penetration)

**(e) Concave Root Surface (Suck-Up)**



Internal undercut

**(f) Undercut**



**(g) Excess External Reinforcement**

(2) Not less than 5% of all brazed joints shall be examined by in-process examination in accordance with para. 344.7, the joints to be examined being selected to ensure that the work of each brazer making the production joints is included.

(c) *Certifications and Records.* The examiner shall be assured, by examination of certifications, records, and other evidence, that the materials and components are of the specified grades and that they have received required heat treatment, examination, and testing. The examiner shall provide the Inspector with a certification that all the quality control requirements of the Code and of the engineering design have been carried out.

#### **341.4.2 Examination — Category D Fluid Service.**

Piping and piping elements for Category D Fluid Service as designated in the engineering design shall be visually examined in accordance with para. 344.2 to the extent necessary to satisfy the examiner that components, materials, and workmanship conform to the requirements of this Code and the engineering design. Acceptance criteria are as stated in para. 341.3.2 and in Table 341.3.2, for Category D fluid service, unless otherwise specified.

#### **341.4.3 Examination — Severe Cyclic Conditions.**

Piping to be used under severe cyclic conditions shall be examined to the extent specified herein or to any greater extent specified in the engineering design. Acceptance criteria are as stated in para. 341.3.2 and in Table 341.3.2, for severe cyclic conditions, unless otherwise specified.

(a) *Visual Examination.* The requirements of para. 341.4.1(a) apply with the following exceptions:

(1) All fabrication shall be examined.

(2) All threaded, bolted, and other joints shall be examined.

(3) All piping erection shall be examined to verify dimensions and alignment. Supports, guides, and points of cold spring shall be checked to ensure that movement of the piping under all conditions of startup, operation, and shutdown will be accommodated without undue binding or unanticipated constraint.

(b) *Other Examination.* All circumferential butt and miter groove welds and all fabricated branch connection welds comparable to those shown in Fig. 328.5.4E shall be examined by 100% radiography in accordance with para. 344.5, or (if specified in the engineering design) by 100% ultrasonic examination in accordance with para. 344.6. Socket welds and branch connection welds which are not radiographed shall be examined by magnetic particle or liquid penetrant methods in accordance with para. 344.3 or 344.4.

(c) In-process examination in accordance with para. 344.7, supplemented by appropriate nondestructive examination, may be substituted for the examination

required in (b) above on a weld-for-weld basis if specified in the engineering design or specifically authorized by the Inspector.

(d) *Certification and Records.* The requirements of para. 341.4.1(c) apply.

**341.4.4 Examination — Elevated Temperature Fluid Service.** Piping in Elevated Temperature Fluid Service shall be examined to the extent specified herein or to any greater extent specified in the engineering design. Acceptance criteria are as stated in para. 341.3.2 and in Table 341.3.2, for Normal Fluid Service, unless the requirements for severe cyclic conditions apply or otherwise specified.

(a) *Visual Examination.* The requirements of para. 341.4.1(a) apply with the following exceptions:

(1) All fabrication shall be examined.

(2) All threaded, bolted, and other joints shall be examined.

(3) All piping erection shall be examined to verify dimensions and alignment. Supports, guides, and points of cold spring shall be checked to ensure that movement of the piping under all conditions of startup, operation, and shutdown will be accommodated without undue binding or unanticipated constraint.

(b) *Additional Examination.* The examination requirements of para. 341.4.1(b) apply with the following exceptions:

(1) Fabrication for longitudinal and spiral (helical seam) welds in P-No. 4 and P-No. 5 materials, except those in components made in accordance with a listed specification, shall be examined by 100% radiography in accordance with para. 344.5, or by 100% ultrasonic examination in accordance with para. 344.6.

(2) Socket welds and branch connection welds in P-No. 4 and P-No. 5 materials that are not radiographed or ultrasonically examined shall be examined by magnetic particle or liquid penetrant methods in accordance with para. 344.3 or 344.4.

(c) *Additional Examination Required for Autogenous Welds, Without Filler Metal, in Austenitic Stainless Steel and Austenitic High Nickel Alloys.* Autogenously welded pipe shall receive nondestructive electric examination in accordance with the material specification. Autogenously welded expansion joint bellows shall be examined in accordance with para. X302.2.2(c).

(d) *Certification and Records.* The requirements of para. 341.4.1(c) apply.

#### **341.5 Supplementary Examination**

Any of the methods of examination described in para. 344 may be specified by the engineering design to supplement the examination required by para. 341.4. The extent of supplementary examination to be performed and any acceptance criteria that differ from those in para. 341.3.2 shall be specified in the engineering design.

### 341.5.1 Spot Radiography

(a) *Longitudinal Welds.* Spot radiography for longitudinal groove welds required to have a weld joint factor  $E_j$  of 0.90 requires examination by radiography in accordance with para. 344.5 of at least 300 mm (1 ft) in each 30 m (100 ft) of weld for each welder or welding operator. Acceptance criteria are those stated in Table 341.3.2 for radiography under Normal Fluid Service.

(b) *Circumferential Butt Welds and Other Welds.* It is recommended that the extent of examination be not less than one shot on one in each 20 welds for each welder or welding operator. Unless otherwise specified, acceptance criteria are as stated in Table 341.3.2 for radiography under Normal Fluid Service for the type of joint examined.

(c) *Progressive Sampling for Examination.* The provisions of para. 341.3.4 are applicable.

(d) *Welds to Be Examined.* The locations of welds and the points at which they are to be examined by spot radiography shall be selected or approved by the Inspector.

**341.5.2 Hardness Tests.** The extent of hardness testing required shall be in accordance with para. 331.1.7 except as otherwise specified in the engineering design.

**341.5.3 Examinations to Resolve Uncertainty.** Any method may be used to resolve doubtful indications. Acceptance criteria shall be those for the required examination.

## 342 EXAMINATION PERSONNEL

### 342.1 Personnel Qualification and Certification

Examiners shall have training and experience commensurate with the needs of the specified examinations.<sup>1</sup> The employer shall certify records of the examiners employed, showing dates and results of personnel qualifications, and shall maintain them and make them available to the Inspector.

### 342.2 Specific Requirement

For in-process examination, the examinations shall be performed by personnel other than those performing the production work.

## 343 EXAMINATION PROCEDURES

Any examination shall be performed in accordance with a written procedure that conforms to one of the methods specified in para. 344, including special methods (see para. 344.1.2). Procedures shall be written as required in the BPV Code, Section V, Article 1, T-150. The employer shall certify records of the examination

<sup>1</sup> For this purpose, SNT-TC-1A, Recommended Practice for Nondestructive Testing Personnel Qualification and Certification, may be used as a guide.

procedures employed, showing dates and results of procedure qualifications, and shall maintain them and make them available to the Inspector.

## 344 TYPES OF EXAMINATION

### 344.1 General

**344.1.1 Methods.** Except as provided in para. 344.1.2, any examination required by this Code, by the engineering design, or by the Inspector shall be performed in accordance with one of the methods specified herein.

**344.1.2 Special Methods.** If a method not specified herein is to be used, it and its acceptance criteria shall be specified in the engineering design in enough detail to permit qualification of the necessary procedures and examiners.

**344.1.3 Definitions.** The following terms apply to any type of examination: (12)

*100% examination:* complete examination of all of a specified kind of item in a designated lot of piping<sup>2</sup>

*random examination:*<sup>3</sup> complete examination of a percentage of a specified kind of item in a designated lot of piping<sup>2</sup>

*spot examination:*<sup>3</sup> a specified partial examination of each of a specified kind of item in a designated lot of piping,<sup>2</sup> e.g., of part of the length of all shop-fabricated welds in a lot of jacketed piping

*random spot examination:*<sup>3</sup> a specified partial examination of a percentage of a specified kind of item in a designated lot of piping<sup>2</sup>

### 344.2 Visual Examination

**344.2.1 Definition.** Visual examination is observation of the portion of components, joints, and other piping elements that are or can be exposed to view before, during, or after manufacture, fabrication, assembly, erection, examination, or testing. This examination includes verification of Code and engineering design requirements for materials, components, dimensions, joint

<sup>2</sup> A designated lot is that quantity of piping to be considered in applying the requirements for examination in this Code. The quantity or extent of a designated lot should be established by agreement between the contracting parties before the start of work. More than one kind of designated lot may be established for different kinds of piping work. See Pipe Fabrication Institute Standard ES-48, Random Examination, for examples of lot selection.

<sup>3</sup> Random or spot examination will not ensure a fabrication product of a prescribed quality level throughout. Items not examined in a lot of piping represented by such examination may contain defects which further examination could disclose. Specifically, if all radiographically disclosable weld defects must be eliminated from a lot of piping, 100% radiographic examination must be specified.

preparation, alignment, welding, bonding, brazing, bolting, threading, or other joining method, supports, assembly, and erection.

**344.2.2 Method.** Visual examination shall be performed in accordance with the BPV Code, Section V, Article 9. Records of individual visual examinations are not required, except for those of in-process examination as specified in para. 344.7.

### 344.3 Magnetic Particle Examination

Examination of castings is covered in para. 302.3.3. Magnetic particle examination of welds and of components other than castings shall be performed in accordance with BPV Code, Section V, Article 7.

### 344.4 Liquid Penetrant Examination

Examination of castings is covered in para. 302.3.3. Liquid penetrant examination of welds and of components other than castings shall be performed in accordance with BPV Code, Section V, Article 6.

### 344.5 Radiographic Examination

**344.5.1 Method.** Radiography of castings is covered in para. 302.3.3. Radiography of welds and of components other than castings shall be performed in accordance with BPV Code, Section V, Article 2.

#### 344.5.2 Extent of Radiography

(a) *100% Radiography.* This applies only to girth and miter groove welds and to fabricated branch connection welds comparable to Fig. 328.5.4E, unless otherwise specified in the engineering design.

(b) *Random Radiography.* This applies only to girth and miter groove welds.

(c) *Spot Radiography.* This requires a single exposure radiograph in accordance with para. 344.5.1 at a point within a specified extent of welding. For girth, miter, and branch groove welds the minimum requirement is

(1) for sizes  $\leq$  DN 65 (NPS 2½), a single elliptical exposure encompassing the entire weld circumference

(2) for sizes  $>$  DN 65, the lesser of 25% of the inside circumference or 152 mm (6 in.)

For longitudinal welds the minimum requirement is 152 mm (6 in.) of weld length.

### 344.6 Ultrasonic Examination

**344.6.1 Method.** Examination of castings is covered in para. 302.3.3; other product forms are not covered. Ultrasonic examination of welds shall be performed in accordance with BPV Code, Section V, Article 4, except that the alternative specified in (a) and (b) below is permitted for basic calibration blocks specified in T-434.2.1 and T-434.3.

(a) When the basic calibration blocks have not received heat treatment in accordance with T-434.1.5, transfer methods shall be used to correlate the responses

from the basic calibration block and the component. Transfer is accomplished by noting the difference between responses received from the same reference reflector in the basic calibration block and in the component and correcting for the difference.

(b) The reference reflector may be a V-notch (which must subsequently be removed), an angle beam search unit acting as a reflector, or any other reflector which will aid in accomplishing the transfer.

(c) When the transfer method is chosen as an alternative, it shall be used, at the minimum

(1) for sizes  $\leq$  DN 50 (NPS 2), once in each 10 welded joints examined

(2) for sizes  $>$  DN 50 and  $\leq$  DN 450 (NPS 18), once in each 1.5 m (5 ft) of welding examined

(3) for sizes  $>$  DN 450, once for each welded joint examined

(d) Each type of material and each size and wall thickness shall be considered separately in applying the transfer method. In addition, the transfer method shall be used at least twice on each type of weld joint.

(e) The reference level for monitoring discontinuities shall be modified to reflect the transfer correction when the transfer method is used.

**344.6.2 Acceptance Criteria.** A linear-type discontinuity is unacceptable if the amplitude of the indication exceeds the reference level and its length exceeds

(a) 6 mm (¼ in.) for  $\bar{T}_w \leq 19$  mm (¾ in.)

(b)  $\bar{T}_w/3$  for  $19$  mm  $<$   $\bar{T}_w \leq 57$  mm (2¼ in.)

(c) 19 mm for  $\bar{T}_w > 57$  mm

### 344.7 In-Process Examination

**344.7.1 Definition.** In-process examination comprises examination of the following, as applicable:

(a) joint preparation and cleanliness

(b) preheating

(c) fit-up, joint clearance, and internal alignment prior to joining

(d) variables specified by the joining procedure, including filler material

(1) (for welding) position and electrode

(2) (for brazing) position, flux, brazing temperature, proper wetting, and capillary action

(e) (for welding) condition of the root pass after cleaning — external and, where accessible, internal — aided by liquid penetrant or magnetic particle examination when specified in the engineering design

(f) (for welding) slag removal and weld condition between passes

(g) appearance of the finished joint

**344.7.2 Method.** The examination is visual, in accordance with para. 344.2, unless additional methods are specified in the engineering design.

## 345 TESTING

### (12) 345.1 Required Leak Test

Prior to initial operation, and after completion of the applicable examinations required by para. 341, each piping system shall be tested to ensure tightness. The test shall be a hydrostatic leak test in accordance with para. 345.4 except as provided herein.

(a) At the owner's option, a piping system in Category D fluid service may be subjected to an initial service leak test in accordance with para. 345.7, in lieu of the hydrostatic leak test.

(b) Where the owner considers a hydrostatic leak test impracticable, either a pneumatic test in accordance with para. 345.5 or a combined hydrostatic-pneumatic test in accordance with para. 345.6 may be substituted, recognizing the hazard of energy stored in compressed gas.

(c) Where the owner considers both hydrostatic and pneumatic leak testing impracticable, the alternative specified in para. 345.9 may be used if both of the following conditions apply:

(1) a hydrostatic test would

(a) damage linings or internal insulation

(b) contaminate a process that would be hazardous, corrosive, or inoperative in the presence of moisture

(c) require significant support modifications for the hydrostatic test load or

(d) present the danger of brittle fracture due to low metal temperature during the test

(2) a pneumatic test would

(a) present an undue hazard of possible release of energy stored in the system or

(b) present the danger of brittle fracture due to low metal temperature during the test

(d) Unless specified in the engineering design, lines open to the atmosphere, such as vents or drains downstream of the last shutoff valve, need not be leak tested.

### 345.2 General Requirements for Leak Tests

Requirements in para. 345.2 apply to more than one type of leak test.

#### 345.2.1 Limitations on Pressure

(a) *Stress Exceeding Yield Strength.* If the test pressure would produce a nominal pressure stress or longitudinal stress in excess of yield strength at test temperature, the test pressure may be reduced to the maximum pressure that will not exceed the yield strength at test temperature. [See paras. 302.3.2(e) and (f).]

(b) *Test Fluid Expansion.* If a pressure test is to be maintained for a period of time and the test fluid in the system is subject to thermal expansion, precautions shall be taken to avoid excessive pressure.

(c) *Preliminary Pneumatic Test.* A preliminary test using air at no more than 170 kPa (25 psi) gage pressure may be made prior to hydrostatic testing to locate major leaks.

#### 345.2.2 Other Test Requirements

(a) *Examination for Leaks.* A leak test shall be maintained for at least 10 min, and all joints and connections shall be examined for leaks.

(b) *Heat Treatment.* Leak tests shall be conducted after any heat treatment has been completed.

(c) *Low Test Temperature.* The possibility of brittle fracture shall be considered when conducting leak tests at metal temperatures near the ductile-brittle transition temperature.

#### 345.2.3 Special Provisions for Testing

(a) *Piping Components and Subassemblies.* Piping components and subassemblies may be tested either separately or as assembled piping.

(b) *Flanged Joints.* Flanged joints used to connect piping components and subassemblies that have previously been tested, and flanged joints at which a blank or blind is used to isolate equipment or other piping during a test, need not be leak tested in accordance with para. 345.1.

(c) *Closure Welds.* The final weld connecting piping systems or components which have been successfully tested in accordance with para. 345 need not be leak tested provided the weld is examined in-process in accordance with para. 344.7 and passes with 100% radiographic examination in accordance with para. 344.5 or 100% ultrasonic examination in accordance with para. 344.6.

**345.2.4 Externally Pressured Piping.** Piping subject to external pressure shall be tested at an internal gage pressure 1.5 times the external differential pressure, but not less than 105 kPa (15 psi).

#### 345.2.5 Jacketed Piping

(a) The internal line shall be leak tested on the basis of the internal or external design pressure, whichever is critical. This test must be performed before the jacket is completed if it is necessary to provide visual access to joints of the internal line as required by para. 345.3.1.

(b) The jacket shall be leak tested in accordance with para. 345.1 on the basis of the jacket design pressure unless otherwise specified in the engineering design.

**345.2.6 Repairs or Additions After Leak Testing.** If repairs or additions are made following the leak test, the affected piping shall be retested, except that for minor repairs or additions the owner may waive retest requirements when precautionary measures are taken to assure sound construction.

**345.2.7 Test Records.** Records shall be made of each piping system during the testing, including

(a) date of test

(b) identification of piping system tested

(c) test fluid

(d) test pressure

(e) certification of results by examiner

These records need not be retained after completion of the test if a certification by the Inspector that the piping has satisfactorily passed pressure testing as required by this Code is retained.

### 345.3 Preparation for Leak Test

**345.3.1 Joints Exposed.** All joints, welds (including structural attachment welds to pressure-containing components), and bonds shall be left uninsulated and exposed for examination during leak testing, except that joints previously tested in accordance with this Code may be insulated or covered. All joints may be primed and painted prior to leak testing unless a sensitive leak test (para. 345.8) is required.

**345.3.2 Temporary Supports.** Piping designed for vapor or gas shall be provided with additional temporary supports, if necessary, to support the weight of test liquid.

#### 345.3.3 Piping With Expansion Joints

(a) Unrestrained expansion joints depend on external main anchors to resist pressure thrust forces. Except as limited in para. 345.3.3(c), a piping system containing unrestrained expansion joints shall be leak tested without any temporary restraints in accordance with para. 345 up to 150% of the expansion joint design pressure. If the required test pressure exceeds 150% of the expansion joint design pressure and the main anchors are not designed to resist the pressure thrust forces at the required test pressure, for that portion of the test when the pressure exceeds 150% of the expansion joint design pressure, the expansion joint shall either be temporarily removed or temporary restraints shall be added to resist the pressure thrust forces.

(b) Self-restrained metallic bellows expansion joints (i.e., tied, hinged, pressure balanced, etc.) have restraint hardware designed to resist the pressure thrust forces. Except as limited in para. 345.3.3(c), a piping system containing self-restrained expansion joints shall be leak tested in accordance with para. 345. A self-restrained expansion joint previously shop tested by the manufacturer in accordance with Appendix X may be excluded from the system to be leak tested, except when a sensitive leak test in accordance with para. 345.8 is required. Restraint hardware for all types of expansion joints shall be designed for the pressure thrust forces at the test pressure.

(c) When a metallic bellows expansion joint is installed in the piping system subject to a leak test and the leak test pressure determined in accordance with para. 345 exceeds the pressure of the test performed by the manufacturer in accordance with Appendix X, the required leak test pressure shall be reduced to the manufacturer's test pressure.

**345.3.4 Limits of Tested Piping.** Equipment which is not to be tested shall be either disconnected from the

piping or isolated by blinds or other means during the test. A valve may be used provided the valve (including its closure mechanism) is suitable for the test pressure.

### 345.4 Hydrostatic Leak Test

**345.4.1 Test Fluid.** The fluid shall be water unless there is the possibility of damage due to freezing or to adverse effects of water on the piping or the process (see para. F345.4.1). In that case another suitable non-toxic liquid may be used. If the liquid is flammable, its flash point shall be at least 49°C (120°F), and consideration shall be given to the test environment.

**345.4.2 Test Pressure.** Except as provided in para. 345.4.3, the hydrostatic test pressure at every point in a metallic piping system shall be as follows:

(a) not less than 1.5 times the design pressure.

(b) when the design temperature is greater than the test temperature, the minimum test pressure, at the point under consideration, shall be calculated by eq. (24). When the piping system contains more than one material or more than one design temperature, eq. (24) shall be used for every combination, excluding pipe supporting elements and bolting, and the maximum calculated value of  $P_T$  is the minimum test gage pressure.

$$P_T = 1.5 PR_r \quad (24)$$

where

$P$  = internal design gage pressure

$P_T$  = minimum test gage pressure

$R_r$  = ratio of  $S_T/S$  for pipe or components without established ratings, but shall not exceed 6.5

= ratio of the component pressure rating at the test temperature to the component pressure rating at the component design temperature for components with established ratings, but shall not exceed 6.5

$S$  = allowable stress value at component design temperature (see Table A-1)

$S_T$  = allowable stress value at test temperature

Alternatively, for carbon steel piping with a minimum specified yield strength not greater than 290 MPa (42 ksi), the test pressure for the assembly of components, excluding pipe supporting elements and bolting (e.g., pipe, fittings, valves, flanges), may be based on  $R_r$  for any of the components in the assembly.

(c) if the test pressure as defined above would produce a nominal pressure stress or longitudinal stress in excess of the yield strength at test temperature or a pressure more than 1.5 times the component rating at test temperature, the test pressure may be reduced to the maximum pressure that will not exceed the lesser of the yield strength or 1.5 times the component ratings at test temperature. [See paras. 302.3.2(e) and (f).] For metallic bellows expansion joints, see Appendix X, para. X302.2.3(a).

### 345.4.3 Hydrostatic Test of Piping With Vessels as a System<sup>4</sup>

(a) Where the test pressure of piping attached to a vessel is the same as or less than the test pressure for the vessel, the piping may be tested with the vessel at the piping test pressure.

(b) Where the test pressure of the piping exceeds the vessel test pressure, and it is not considered practicable to isolate the piping from the vessel, the piping and the vessel may be tested together at the vessel test pressure, provided the owner approves and the vessel test pressure is not less than 77% of the piping test pressure calculated in accordance with para. 345.4.2(b).

### 345.5 Pneumatic Leak Test

(12) **345.5.1 Precautions.** Pneumatic testing involves the hazard of released energy stored in compressed gas. Particular care must therefore be taken to minimize the chance of brittle failure during a pneumatic leak test. Test temperature is important in this regard and must be considered when the designer chooses the material of construction. See para. 345.2.2(c) and Appendix F, paras. F323.4 and F345.5.1.

**345.5.2 Pressure Relief Device.** A pressure relief device shall be provided, having a set pressure not higher than the test pressure plus the lesser of 345 kPa (50 psi) or 10% of the test pressure.

**345.5.3 Test Fluid.** The gas used as test fluid, if not air, shall be nonflammable and nontoxic.

**345.5.4 Test Pressure.** The test pressure shall be not less than 1.1 times the design pressure and shall not exceed the lesser of

(a) 1.33 times the design pressure

(b) the pressure that would produce a nominal pressure stress or longitudinal stress in excess of 90% of the yield strength of any component at the test temperature

**345.5.5 Procedure.** The pressure shall be gradually increased until a gage pressure which is the lesser of one-half the test pressure or 170 kPa (25 psi) is attained, at which time a preliminary check shall be made, including examination of joints in accordance with para. 341.4.1(a). Thereafter, the pressure shall be gradually increased in steps until the test pressure is reached, holding the pressure at each step long enough to equalize piping strains. The pressure shall then be reduced to the design pressure before examining for leakage in accordance with para. 345.2.2(a).

### 345.6 Hydrostatic-Pneumatic Leak Test

If a combination hydrostatic-pneumatic leak test is used, the requirements of para. 345.5 shall be met, and

<sup>4</sup> The provisions of para. 345.4.3 do not affect the pressure test requirements of any applicable vessel code.

the pressure in the liquid filled part of the piping shall not exceed the limits stated in para. 345.4.2.

### 345.7 Initial Service Leak Test

This test is applicable only to piping in Category D Fluid Service, at the owner's option. See para. 345.1(a).

**345.7.1 Test Fluid.** The test fluid is the service fluid.

**345.7.2 Procedure.** During or prior to initial operation, the pressure shall be gradually increased in steps until the operating pressure is reached, holding the pressure at each step long enough to equalize piping strains. A preliminary check shall be made as described in para. 345.5.5 if the service fluid is a gas or vapor.

**345.7.3 Examination for Leaks.** The examination for leaks required by para. 345.2.2(a) shall be conducted while the system is at operating pressure. It is permissible to omit examination for leaks of joints and connections previously tested in accordance with this Code. (12)

### 345.8 Sensitive Leak Test (12)

The test shall be the Bubble Test — Direct Pressure Technique in accordance with the BPV Code, Section V, Article 10, Appendix I or another leak test method that has a demonstrated sensitivity not less than  $10^{-3}$  std ml/s under test conditions.

When the Bubble Test — Direct Pressure Technique is used

(a) the test pressure shall be at least the lesser of 105 kPa (15 psi) gage or 25% of the design pressure.

(b) the pressure shall be gradually increased until a gage pressure equal to the lesser of one-half the test pressure or 170 kPa (25 psi) is attained, at which time a preliminary check shall be made. Then the pressure shall be gradually increased in steps until the test pressure is reached, the pressure being held long enough at each step to equalize piping strains.

### 345.9 Alternative Leak Test

The following procedures and leak test method may be used only under the conditions stated in para. 345.1(c).

**345.9.1 Examination of Welds.** Welds, including those used in the manufacture of welded pipe and fittings, which have not been subjected to hydrostatic or pneumatic leak tests in accordance with this Code, shall be examined as follows: (12)

(a) Circumferential, longitudinal, and spiral (helical seam) groove welds shall be 100% radiographed in accordance with para. 344.5 or 100% ultrasonically examined in accordance with para. 344.6.

(b) All welds, including structural attachment welds, not covered in (a) above, shall be examined using the liquid penetrant method (para. 344.4) or, for magnetic materials, the magnetic particle method (para. 344.3).



**345.9.2 Flexibility Analysis.** A flexibility analysis of the piping system shall have been made in accordance with the requirements of para. 319.4.2 (b), if applicable, or (c) and (d).

**345.9.3 Test Method.** The system shall be subjected to a sensitive leak test in accordance with para. 345.8.

## **346 RECORDS**

### **346.2 Responsibility**

It is the responsibility of the piping designer, the manufacturer, the fabricator, and the erector, as applicable, to

prepare the records required by this Code and by the engineering design.

### **346.3 Retention of Records**

Unless otherwise specified by the engineering design, the following records shall be retained for at least 5 years after the record is generated for the project:

- (a) examination procedures
- (b) examination personnel qualifications

# Chapter VII

## Nonmetallic Piping and Piping Lined With Nonmetals

### A300 GENERAL STATEMENTS

(a) Chapter VII pertains to nonmetallic piping and to piping lined with nonmetals.

(b) The organization, content, and paragraph designations of this Chapter correspond to those of the first six Chapters (the base Code). The prefix A is used.

(c) Provisions and requirements of the base Code apply only as stated in this Chapter.

(d) Metallic piping which provides the pressure containment for a nonmetallic lining shall conform to the requirements of Chapters I through VI, and to those in Chapter VII not limited to nonmetals.

(e) This Chapter makes no provision for piping to be used under severe cyclic conditions.

(f) With the exceptions stated above, Chapter I applies in its entirety.

### PART 1 CONDITIONS AND CRITERIA

#### A301 DESIGN CONDITIONS

Paragraph 301 applies in its entirety, with the exception of paras. 301.2 and 301.3. See below.

##### A301.2 Design Pressure

Paragraph 301.2 applies in its entirety, except that references to paras. A302.2.4 and A304 replace references to paras. 302.2.4 and 304, respectively.

##### A301.3 Design Temperature

Paragraph 301.3 applies with the following exceptions.

**A301.3.1 Design Minimum Temperature.** Paragraph 301.3.1 applies; but see para. A323.2.2, rather than para. 323.2.2.

**A301.3.2 Uninsulated Components.** The component design temperature shall be the fluid temperature, unless a higher temperature will result from solar radiation or other external heat sources.

#### A302 DESIGN CRITERIA

Paragraph A302 states pressure–temperature ratings, stress criteria, design allowances, and minimum design values, together with permissible variations of these factors as applied to the design of piping.

#### A302.1 General

The designer shall be satisfied as to the adequacy nonmetallic material and its manufacture, considering at least the following:

(a) tensile, compressive, flexural, and shear strength, and modulus of elasticity, at design temperature (long term and short term)

(b) creep rate at design conditions

(c) design stress and its basis

(d) ductility and plasticity

(e) impact and thermal shock properties

(f) temperature limits

(g) transition temperature: melting and vaporization

(h) porosity and permeability

(i) testing methods

(j) methods of making joints and their efficiency

(k) possibility of deterioration in service

#### A302.2 Pressure–Temperature Design Criteria

**A302.2.1 Listed Components Having Established Ratings.** Paragraph 302.2.1 applies, except that reference to Table A326.1 replaces reference to Table 326.1.

**A302.2.2 Listed Components Not Having Specific Ratings.** Nonmetallic piping components for which design stresses have been developed in accordance with para. A302.3, but which do not have specific pressure–temperature ratings, shall be rated by rules for pressure design in para. A304, within the range of temperatures for which stresses are shown in Appendix B, modified as applicable by other rules of this Code.

Piping components which do not have allowable stresses or pressure–temperature ratings shall be qualified for pressure design as required by para. A304.7.2.

**A302.2.3 Unlisted Components.** Paragraph 302.2.3 applies, except that references to Table A326.1 and paras. A304 and A304.7.2 replace references to Table 326.1 and paras. 304 and 304.7.2, respectively.

#### A302.2.4 Allowances for Pressure and Temperature Variations

(a) *Nonmetallic Piping.* Allowances for variations of pressure or temperature, or both, above design conditions are not permitted. The most severe conditions of coincident pressure and temperature shall be used to determine the design conditions for a piping system. See paras. 301.2 and 301.3.

(b) *Metallic Piping With Nonmetallic Lining*. Allowances for pressure and temperature variations provided in para. 302.2.4 are permitted only if the suitability of the lining material for the increased conditions is established through prior successful service experience or tests under comparable conditions.

#### **A302.2.5 Rating at Junction of Different Services.**

When two services that operate at different pressure-temperature conditions are connected, the valve segregating the two services shall be rated for the more severe service condition.

### **A302.3 Allowable Stresses and Other Design Limits**

#### **A302.3.1 General**

(a) Table B-1 contains hydrostatic design stresses (HDS). Tables B-2 and B-3 are listings of specifications which meet the criteria of paras. A302.3.2(b) and (c), respectively. Tables B-4 and B-5 contain allowable pressures. These HDS values, allowable stress criteria, and pressures shall be used in accordance with the Notes to Appendix B, and may be used in design calculations (where the allowable stress  $S$  means the appropriate design stress) except as modified by other provisions of this Code. Use of hydrostatic design stresses for calculations other than pressure design has not been verified. The bases for determining allowable stresses and pressures are outlined in para. A302.3.2.

(b) The stresses and allowable pressures are grouped by materials and listed for stated temperatures. Straight-line interpolation between temperatures is permissible.

#### **A302.3.2 Bases for Allowable Stresses and Pressures<sup>1</sup>**

(a) *Thermoplastics*. The method of determining HDS is described in ASTM D2837. HDS values are given in Table B-1 for those materials and temperatures for which sufficient data have been compiled to substantiate the determination of stress.

(b) *Reinforced Thermosetting Resin (Laminated)*. The design stress (DS) values for materials listed in Table B-2

shall be one-tenth of the minimum tensile strengths specified in Table 1 of ASTM C582 and are valid only in the temperature range from  $-29^{\circ}\text{C}$  ( $-20^{\circ}\text{F}$ ) through  $82^{\circ}\text{C}$  ( $180^{\circ}\text{F}$ ).

(c) *Reinforced Thermosetting Resin and Reinforced Plastic Mortar (Filament Wound and Centrifugally Cast)*. The hydrostatic design basis stress (HDS) values for materials listed in Table B-3 shall be obtained by the procedures in ASTM D2992 and are valid only at  $23^{\circ}\text{C}$  ( $73^{\circ}\text{F}$ ). HDS shall be obtained by multiplying the HDS by a service (design) factor<sup>2</sup> selected for the application, in accordance with procedures described in ASTM D2992, within the following limits:

(1) When using the cyclic HDS, the service (design) factor  $F$  shall not exceed 1.0.

(2) When using the static HDS, the service (design) factor  $F$  shall not exceed 0.5.

(d) *Other Materials*. Allowable pressures in Tables B-4 and B-5 have been determined conservatively from physical properties of materials conforming to the listed specifications, and have been confirmed by extensive experience. Use of other materials shall be qualified as required by para. A304.7.2.

#### **A302.3.3 Limits of Calculated Stresses Due to Sustained Loads<sup>1</sup>**

(a) *Internal Pressure Stresses*. Limits of stress due to internal pressure are covered in para. A304.

(b) *External Pressure Stresses*. Stresses due to uniform external pressure shall be considered safe when the wall thickness of the component and its means of stiffening have been qualified as required by para. A304.7.2.

(c) *External Loading Stresses*. Design of piping under external loading shall be based on the following:

(1) *Thermoplastic Piping*. ASTM D2321 or AWWA C900.

(2) *Reinforced Thermosetting Resin (RTR) and Reinforced Plastic Mortar (RPM) Piping*. ASTM D3839 or Appendix A of AWWA C950.

(3) Strain and possible buckling shall be considered when determining the maximum allowable deflection in (1) or (2) above, but in no case shall the allowable diametral deflection exceed 5% of the pipe inside diameter.

(4) Nonmetallic piping not covered in (1) or (2) above shall be subjected to a crushing or three-edge bearing test in accordance with ASTM C14 or C301; the allowable load shall be 25% of the minimum value obtained.

<sup>1</sup> Titles of ASTM Specifications and AWWA Standards referenced herein are:

ASTM C14, Concrete Sewer, Storm Drain, and Culvert Pipe  
 ASTM C301, Method of Testing Vitrified Clay Pipe  
 ASTM C582, Contact-Molded Reinforced Thermosetting Plastic (RTP) Laminates for Corrosion Resistant Equipment  
 ASTM D2321, Practice for Underground Installation of Thermoplastic Pipe for Sewers and Other Gravity-Flow Applications  
 ASTM D2837, Test Method for Obtaining Hydrostatic Design Basis for Thermoplastic Pipe Materials or Pressure Design Basis for Thermoplastic Pipe Products  
 ASTM D2992, Practice for Obtaining Hydrostatic or Pressure Design Basis for "Fiberglass" (Glass-Fiber-RTR) Pipe and Fittings  
 ASTM D3839, Underground Installation of Fiberglass Pipe  
 AWWA C900, PVC Pressure Pipe, 4-inch through 12-inch, for Water  
 AWWA C950, Glass-Fiber-Reinforced Thermosetting Resin Pressure Pipe

<sup>2</sup> The service (design) factor,  $F$ , should be selected by the designer after evaluating fully the service conditions and the engineering properties of the specific material under consideration. Aside from the limits in paras. A302.3.2(c)(1) and (2), it is not the intent of this Code to specify service (design) factors.

### A302.3.4 Limits of Calculated Stresses Due to Occasional Loads

(a) *Operation.* The sum of the stresses in any component in a piping system due to sustained loads, such as pressure and weight, and of the stresses produced by occasional loads, such as wind or earthquake, shall not exceed the limits in the applicable part of para. A302.3.3. Wind and earthquake forces need not be considered as acting concurrently.

(b) *Test.* Stresses due to test conditions are not subject to the limitations in para. A302.3.3. It is not necessary to consider other occasional loads, such as wind and earthquake, as occurring concurrently with test loads.

### A302.4 Allowances

Paragraph 302.4 applies in its entirety.

## PART 2 PRESSURE DESIGN OF PIPING COMPONENTS

### A303 GENERAL

Paragraph 303 applies, except that references to Table A326.1 and para. A302.2.1 replace references to Table 326.1 and para. 302.2.1. For nonmetallic components, reference to para. A304 replaces reference to para. 304.

### A304 PRESSURE DESIGN OF PIPING COMPONENTS

#### A304.1 Straight Pipe

##### A304.1.1 General

(a) The required thickness of straight sections of pipe shall be determined by eq. (25).

$$t_m = t + c \quad (25)$$

The minimum thickness  $T$  for the pipe selected, considering manufacturer's minus tolerance, shall be not less than  $t_m$ .

(b) The following nomenclature is used in the equations for pressure design of straight pipe:

$c$  = the sum of mechanical allowances (thread or groove depth) plus corrosion and erosion allowance. For threaded components, the nominal thread depth (dimension  $h$  of ASME B1.20.1 or equivalent) shall apply. For machined surfaces or grooves where the tolerance is not specified, the tolerance shall be assumed to be 0.5 mm (0.02 in.) in addition to the specified depth of the cut.

$D$  = outside diameter of pipe

$F$  = service (design) factor. See para. A302.3.2(c).

$P$  = internal design gage pressure

$S$  = design stress from applicable Table in Appendix B

$T$  = pipe wall thickness (measured or minimum in accordance with the purchase specification)

$t$  = pressure design thickness, as calculated in accordance with para. A304.1.2 for internal pressure or as determined in accordance with para. A304.1.3 for external pressure

$t_m$  = minimum required thickness, including mechanical, corrosion, and erosion allowances

**A304.1.2 Straight Nonmetallic Pipe Under Internal Pressure.** The internal pressure design thickness,  $t$ , shall be not less than that calculated by one of the following equations, using stress values listed in or derived from the appropriate table in Appendix B:

(a) *Thermoplastic Pipe* [See Para. A302.3.2(a)]

$$t = \frac{PD}{2S + P} \quad (\text{Table B-1}) \quad (26a)$$

(b) *RTR (Laminated) Pipe* [See Para. A302.3.2(b)]

$$t = \frac{PD}{2S + P} \quad (\text{Table B-2}) \quad (26b)^3$$

(c) *RTR (Filament Wound) and RPM (Centrifugally Cast) Pipe* [See Para. A302.3.2(c)]

$$t = \frac{PD}{2SF + P} \quad (\text{Table B-3}) \quad (26c)^3$$

#### A304.1.3 Straight Pipe Under External Pressure

(a) *Nonmetallic Pipe.* The external pressure design thickness,  $t$ , shall be qualified as required by para. A304.7.2.

(b) *Metallic Pipe Lined With Nonmetals*

(1) The external pressure design thickness,  $t$ , for the base (outer) material shall be determined in accordance with para. 304.1.3.

(2) The external pressure design thickness,  $t$ , for the lining material shall be qualified as required by para. A304.7.2.

#### A304.2 Curved and Mitered Segments of Pipe

**A304.2.1 Pipe Bends.** The minimum required thickness,  $t_m$ , of a bend, after bending, shall be determined as for straight pipe in accordance with para. A304.1.

**A304.2.2 Elbows.** Manufactured elbows not in accordance with para. A303 shall be qualified as required by para. A304.7.2.

**A304.2.3 Miter Bends.** Miter bends shall be qualified as required by para. A304.7.2.

#### A304.3 Branch Connections

**A304.3.1 General.** A pipe having a branch connection is weakened by the opening that must be made in

<sup>3</sup> The internal design pressure thickness  $t$  shall not include any thickness of the pipe wall reinforced with less than 20% by weight of reinforcing fibers.

it and, unless the wall thickness of the pipe is sufficiently in excess of that required to sustain the pressure, it is necessary to provide added reinforcement. The amount of reinforcement shall be qualified as required by para. A304.7.2 except as provided in para. A304.3.2.

**A304.3.2 Branch Connections Using Fittings.** It may be assumed without calculation that a branch connection has adequate strength to sustain the internal and external pressure which will be applied to it if it utilizes a fitting (a tee, lateral, or cross) in accordance with para. A303.

**A304.3.3 Additional Design Considerations.** The requirements of paras. A304.3.1 and A304.3.2 are intended to assure satisfactory performance of a branch connection subjected only to internal or external pressure. The designer shall also consider paras. 304.3.5(a), (c), and (d).

#### A304.4 Closures

Closures not in accordance with para. A303 shall be qualified as required by para. A304.7.2.

#### A304.5 Pressure Design of Nonmetallic Flanges

##### A304.5.1 General

(a) Flanges not in accordance with para. A303, or A304.5.1(b) or (d) shall be qualified as required by para. A304.7.2.

(b) Flanges for use with flat ring gaskets may be designed in accordance with the BPV Code, Section VIII, Division 1, Appendix 2, except that the allowable stresses and temperature limits of this Code shall govern. Nomenclature shall be as defined in the BPV Code, except for the following:

$P$  = design gage pressure

$S_a$  = bolt design stress at atmospheric temperature<sup>4</sup>

$S_b$  = bolt design stress at design temperature<sup>4</sup>

$S_f$  = allowable stress for flange material from Table B-1, B-2, or B-3

(c) The rules in (b) above are not applicable to a flanged joint having a gasket that extends outside the bolts (usually to the outside diameter of the flange).

(d) For flanges that make solid contact outside the bolts, Section VIII, Division 1, Appendix Y should be used.

**A304.5.2 Blind Flanges.** Blind flanges not in accordance with para. A303 may be designed in accordance with para. 304.5.2, except that allowable stress  $S$  shall be taken from Tables in Appendix B. Otherwise, they shall be qualified as required by para. A304.7.2.

#### A304.6 Reducers

Reducers not in accordance with para. A303 shall be qualified as required by para. A304.7.2.

<sup>4</sup> Bolt design stresses shall not exceed those in Table A-2.

#### A304.7 Pressure Design of Other Components

**A304.7.1 Listed Components.** Other pressure containing components, manufactured in accordance with standards in Table A326.1 but not covered elsewhere in para. A304, may be utilized in accordance with para. A303.

**A304.7.2 Unlisted Components.** Pressure design of unlisted components and joints, to which the rules elsewhere in para. A304 do not apply, shall be based on calculations consistent with the design criteria of this Code. Calculations shall be substantiated by one or both of the means stated in (a) and (b) below, considering applicable ambient and dynamic effects in paras. 301.4 through 301.11:

(a) extensive, successful service experience under comparable design conditions with similarly proportioned components made of the same or like material

(b) performance test under design conditions including applicable dynamic and creep effects, continued for a time period sufficient to determine the acceptability of the component or joint for its design life

For (a) or (b) above, the designer may interpolate between sizes, wall thicknesses, and pressure classes, and may determine analogies among related materials.

**A304.7.3 Nonmetallic Components With Metallic Pressure Parts.** Components not covered by standards in Table A326.1, in which both nonmetallic and metallic parts contain the pressure, shall be evaluated by applicable requirements of para. 304.7.2 as well as those of para. A304.7.2.

### PART 3 FLUID SERVICE REQUIREMENTS FOR PIPING COMPONENTS

#### A305 PIPE

Listed pipe may be used in Normal Fluid Service, subject to the limitations of the pressure-containing material and para. A323.4. Unlisted pipe may be used only in accordance with para. A302.2.3.

#### A306 FITTINGS, BENDS, MITERS, LAPS, AND BRANCH CONNECTIONS

*General.* Fittings, bends, miters, laps, and branch connections may be used in accordance with paras. A306.1 through A306.5. Pipe and other materials used in such components shall be suitable for the manufacturing process and the fluid service.

##### A306.1 Pipe Fittings

**A306.1.1 Listed Fittings.** Listed fittings may be used in Normal Fluid Service subject to limitations on materials.

**A306.1.2 Unlisted Fittings.** Unlisted fittings may be used only in accordance with para. A302.2.3.

### **A306.2 Pipe Bends**

**A306.2.1 General.** A bend made in accordance with para. A332 and verified for pressure design in accordance with para. A304.2.1 shall be suitable for the same service as the pipe from which it is made.

**A306.2.2 Corrugated and Other Bends.** Bends of other designs (such as creased or corrugated) shall be qualified for pressure design as required by para. A304.7.2.

### **A306.3 Miter Bends**

Except as specified in para. 306.3.2, a miter bend which conforms to para. A304.2.3 may be used in Normal Fluid Service.

### **A306.4 Fabricated or Flared Laps**

The following requirements do not apply to fittings conforming to para. A306.1.

#### **A306.4.1 Fabricated Laps**

(a) The requirements in paras. 306.4.1(a) and (b) shall be met.

(b) Lap material shall be suitable for the service conditions. Pressure design shall be qualified as required by para. A304.7.2.

**A306.4.2 Flared Laps.** Flared laps shall not be used in nonmetallic piping.

### **A306.5 Fabricated Branch Connections**

The following requirements do not apply to fittings conforming to para. A306.1.

**A306.5.1 General.** A fabricated branch connection made by bonding the branch pipe directly to the header pipe, with or without added reinforcement as stated in para. 328.5.4, and shown in Fig. 328.5.4, may be used in Normal Fluid Service, provided that pressure design is qualified as required by para. A304.7.2.

**A306.5.2 Specific Requirements.** Fabricated branch connections shall be made as specified in para. A328.5.

## **A307 VALVES AND SPECIALTY COMPONENTS**

Paragraph 307 applies in its entirety, except that in para. 307.1.2 reference to paras. A302.2.3 and A304.7.2 replaces reference to paras. 302.2.3 and 304.7.2, respectively.

## **A308 FLANGES, BLANKS, FLANGE FACINGS, AND GASKETS**

### **A308.1 General**

Paragraph 308.1 applies, except that in para. 308.1.2 reference to para. A302.2.3 replaces reference to para. 302.2.3.

## **A308.2 Nonmetallic Flanges**

### **A308.2.1 General**

(a) Flanges shall be adequate, with suitable facing, gasketing, and bolting, to develop the full rating of the joint and to withstand expected external loadings.

(b) The designer should consult the manufacturer for ratings of flanges.

**A308.2.2 Threaded Flanges.** Threaded flanges are subject to the requirements for threaded joints in para. A314.

### **A308.3 Flange Facings**

Paragraph 308.3 applies in its entirety.

### **A308.4 Limitations on Gaskets**

See also Appendix F, para. F308.4.

**A308.4.1 Lining Used as Facing or Gasket.** Lining material extended over the flange face and used as a gasket shall conform to para. 308.4.

## **A309 BOLTING**

Bolting includes bolts, bolt studs, studs, cap screws, nuts, and washers. See Appendix F, para. F309.

### **A309.1 General**

Paragraph 309.1 applies in its entirety.

### **A309.2 Specific Bolting**

Any bolting which meets the requirements of para. 309.1 may be used with any combination of flange materials and flange facings. Joint assembly shall conform to the requirements of para. A335.2.

### **A309.3 Tapped Holes in Nonmetallic Components**

Tapped holes for pressure retaining bolting in piping components may be used provided pressure design is qualified as required by para. A304.7.2.

## **PART 4**

## **FLUID SERVICE REQUIREMENTS FOR PIPING JOINTS**

### **A310 GENERAL**

Paragraph 310 applies in its entirety.

### **A311 BONDED JOINTS IN PLASTICS**

#### **A311.1 General**

Bonding shall be in accordance with para. A328 and examination shall be in accordance with para. A341.4.1 for use in Normal Fluid Service, subject to the limitations of the material.

## A311.2 Specific Requirements

**A311.2.1 Fillet Bonds.** A fillet bond may be used only in conjunction with a qualified hot gas welding procedure for bonding (see para. A328.5.2).

**A311.2.2 Seal Bonds.** A seal bond may be used only to prevent leakage of a threaded joint and only if it has been demonstrated that there will be no deleterious effect on the materials bonded.

**A311.2.3 Joints Limited to Category D Fluid Service.** Joints which have been examined in accordance with para. 341.4.2 may be used only for Category D Fluid Service.

## A312 FLANGED JOINTS

The designer should consult the manufacturer for ratings of flanged joints in nonmetallic piping and in piping lined with nonmetals.

## A313 EXPANDED JOINTS

Paragraph 313 applies in its entirety.

## A314 THREADED JOINTS

### A314.1 General

A threaded joint is suitable for use in Normal Fluid Service, subject to the limitations of the material and requirements elsewhere in para. A314. A joint conforming to para. 314.1(d) shall not be used.

### A314.2 Specific Requirements

#### (12) A314.2.1 Thermoplastic Piping

(a) Polyethylene (PE) pipe and tubing shall not be joined by threaded joints.

(b) Threaded joints in other thermoplastic piping shall conform to all of the following:

(1) The pipe wall shall be at least as thick as Schedule 80 as defined in ASTM D1785.

(2) Threads shall be NPT, and shall conform to ASME B1.20.1 or ASTM F1498.

(3) Threads shall conform to applicable standards in Table A326.1.

(4) A suitable thread sealant shall be used.

**A314.2.2 Reinforced Thermosetting Resin Piping.** Threaded joints in reinforced thermosetting resin (RTR) piping shall conform to the following:

(a) External threads shall be factory cut or molded on special thick-walled pipe ends.

(b) Matching internal threads shall be factory cut or molded in the fittings.

(c) Threading of plain ends of RTR pipe is not permitted, except where such threads are limited to the function of a mechanical lock to matching internal threads

factory cut or molded in the bottom portions of fittings with deep sockets.

(d) Factory cut or molded threaded nipples, couplings, or adapters, bonded to plain-end RTR pipe and fittings, may be used where it is necessary to provide connections to threaded metallic piping.

**A314.2.3 Reinforced Plastic Mortar Piping.** Threaded joints are not permitted in reinforced plastic mortar (RPM) piping.

## A315 TUBING JOINTS

Paragraph 315 applies in its entirety, subject to material limitations, exclusion of 315.2(b) regarding severe cyclic conditions, and replacement of reference to Table 326.1 and para. 304.7.2 with reference to Table A326.1 and para. A304.7.2, respectively.

## A316 CAULKED JOINTS

Paragraph 316 applies in its entirety.

## A318 SPECIAL JOINTS

Special joints are those not covered elsewhere in Chapter VII, Part 4, such as bell type and packed gland type joints.

### A318.1 General

Paragraph 318.1 applies in its entirety, except that, in para. 318.1.2, reference to para. A304.7.2 replaces reference to para. 304.7.2.

### A318.2 Specific Requirements

Paragraph 318.2 applies with the exception of para. 318.2.3.

### A318.3 Piping Lined With Nonmetals

#### A318.3.1 Welding of Metallic Piping

(a) *General.* Joints made in accordance with the rules in para. A329.1 may be used in Normal Fluid Service, subject to material limitations.

(b) *Specific Requirements.* Welds shall be limited to those which do not affect the serviceability of the lining.

#### A318.3.2 Flared Linings

(a) *General.* Flared ends of linings made in accordance with the rules in para. A329.2 may be used in Normal Fluid Service, subject to material limitations.

(b) *Specific Requirements.* Flaring shall be limited to applications which do not affect the serviceability of the lining.

### A318.4 Flexible Elastomeric Sealed Joints

Flexible elastomeric seals conforming to the following may be used in Normal Fluid Service, subject to material limitations:

(a) Seals for joints in thermoplastic piping shall conform to ASTM D3139.

(b) Seals for joints in RTR and RPM piping shall conform to ASTM D4161.

## PART 5 FLEXIBILITY AND SUPPORT

### A319 FLEXIBILITY OF NONMETALLIC PIPING

#### A319.1 Requirements

**A319.1.1 Basic Requirements.** Piping systems shall be designed to prevent thermal expansion or contraction, pressure expansion, or movement of piping supports and terminals from causing

(a) failure of piping or supports from overstrain or fatigue

(b) leakage at joints

(c) detrimental stresses or distortion in piping or in connected equipment (pumps, for example), resulting from excessive thrusts and moments in the piping

#### A319.1.2 Specific Requirements

(a) In para. A319, guidance, concepts, and data are given to assist the designer in assuring adequate flexibility in piping systems. No specific stress-limiting criteria or methods of stress analysis are presented since stress-strain behavior of most nonmetals differs considerably from that of metals covered by para. 319 and is less well defined for mathematical analysis.

(b) Piping systems should be designed and laid out so that flexural stresses resulting from displacement due to expansion, contraction, and other movement are minimized. This concept requires special attention to supports, terminals, and other restraints, as well as to the techniques outlined in para. A319.7. See also para. A319.2.2(b).

(c) Further information on design of thermoplastic piping can be found in PPI Technical Report TR-21.

#### A319.2 Concepts

**A319.2.1 Displacement Strains.** The concepts of strain imposed by restraint of thermal expansion or contraction, and by external movement, described in para. 319.2.1, apply in principle to nonmetals. Nevertheless, the assumption that stresses throughout the piping system can be predicted from these strains because of fully elastic behavior of the piping materials is not generally valid.

(a) In thermoplastics and some RTR and RPM piping, displacement strains are not likely to produce immediate failure but may result in detrimental distortion. Especially in thermoplastic piping, progressive deformation may occur upon repeated thermal cycling or on prolonged exposure to elevated temperature.

(b) In brittle piping (such as porcelain, glass, etc.) and some RTR and RPM piping, the materials show rigid behavior and develop high displacement stresses up to the point of sudden breakage due to overstrain.

#### A319.2.2 Displacement Stresses

(a) *Elastic Behavior.* The assumption that displacement strains will produce proportional stress over a sufficiently wide range to justify an elastic stress analysis often is not valid for nonmetals. In brittle piping, strains initially will produce relatively large elastic stresses. The total displacement strain must be kept small, however, since overstrain results in failure rather than plastic deformation. In thermoplastic and thermosetting resin piping, strains generally will produce stresses of the overstrained (plastic) type, even at relatively low values of total displacement strain. If a method of flexibility analysis which assumes elastic behavior is selected, the designer must be able to demonstrate its validity for the piping system under consideration, and shall establish safe limits for computed stresses.

(b) *Overstrained Behavior.* Stresses cannot be considered proportional to displacement strains throughout a piping system in which an excessive amount of strain may occur in localized portions of the piping [an unbalanced system; see para. 319.2.2(b)] or in which elastic behavior of the piping material cannot be assumed. Overstrain shall be minimized by system layout and excessive displacements shall be minimized by special joints or expansion devices (see para. A319.7).

**A319.2.3 Cold Spring.** Cold spring is the intentional deformation of piping during assembly to produce a desired initial displacement or stress. Cold spring may be beneficial in serving to balance the magnitude of stress under initial and extreme displacement conditions. When cold spring is properly applied, there is less likelihood of overstrain during initial operation. There is also less deviation from as-installed dimensions during initial operation, so that hangers will not be displaced as far from their original settings. No credit for cold spring is permitted in stress range calculations, or in calculating thrusts and moments.

#### A319.3 Properties for Flexibility Analysis

**A319.3.1 Thermal Expansion Data.** Appendix C lists coefficients of thermal expansion for several nonmetals. More precise values in some instances may be obtainable from manufacturers of components. If these values are to be used in stress analysis, the thermal displacements shall be determined as stated in para. 319.3.1.

**A319.3.2 Modulus of Elasticity.** Appendix C lists representative data on the tensile modulus of elasticity,  $E$ , for several nonmetals as obtained under typical laboratory rate of strain (loading) conditions. Because of their viscoelasticity, the effective moduli of plastics under actual conditions of use will depend on both the specific course of the strain (or load) with time and the specific characteristics of the plastic. More precise values of the short term and working estimates of effective moduli of elasticity for given conditions of loading and



temperature may be obtainable from the manufacturer. The modulus may also vary with the orientation of the specimen, especially for resins with filament-wound reinforcement. For materials and temperatures not listed, refer to ASTM or PPI documents, or to manufacturer's data.

**A319.3.3 Poisson's Ratio.** Poisson's ratio varies widely depending upon material and temperature. For that reason simplified formulas used in stress analysis for metals may not be valid for nonmetals.

**A319.3.4 Dimensions.** Nominal thicknesses and outside diameters of pipe and fittings shall be used in flexibility calculations.

#### A319.4 Analysis

**A319.4.1 Formal Analysis Not Required.** No formal analysis is required for a piping system which

- (a) duplicates, or replaces without significant change, a system operating with a successful service record
- (b) can readily be judged adequate by comparison with previously analyzed systems, or
- (c) is laid out with a conservative margin of inherent flexibility, or employs joining methods or expansion joint devices, or a combination of these methods, in accordance with manufacturers' instructions

**A319.4.2 Formal Analysis Requirements.** For a piping system which does not meet the above criteria, the designer shall demonstrate adequate flexibility by simplified, approximate, or comprehensive stress analysis, using a method which can be shown to be valid for the specific case. If substantially elastic behavior can be demonstrated for the piping system [see para. A319.2.2(a)], methods outlined in para. 319.4 may be applicable.

#### A319.5 Reactions

Paragraph 319.5 may be applicable if a formal stress analysis can be shown to be valid for the specific case.

#### A319.6 Movements

Special attention shall be given to movement (displacement or rotation) of piping with respect to supports and points of close clearance. Movements of the run pipe at the junction of a small branch connection shall be considered in determining the need for flexibility in the branch pipe.

#### A319.7 Means of Increasing Flexibility

Piping layout often provides adequate inherent flexibility through changes in direction, wherein displacements produce chiefly bending and torsional strains of low magnitude. The amount of tension or compression strain (which can produce larger reactions) usually is small.

Where piping lacks inherent flexibility or is unbalanced, additional flexibility shall be provided by one or more of the following means: bends, loops, or offsets; swivel or flexible joints; corrugated, bellows, or slip-joint expansion joints; or other devices permitting angular, rotational, or axial movement. Suitable anchors, ties, or other devices shall be provided as necessary to resist end forces produced by fluid pressure, frictional resistance to movement, and other causes.

### A321 PIPING SUPPORT

Paragraph 321 applies in its entirety.

#### A321.5 Supports for Nonmetallic Piping

**A321.5.1 General.** In addition to other applicable requirements of para. 321, supports, guides, and anchors shall be selected and applied to comply with the principles and requirements of para. A319 and the following:

- (a) Piping shall be supported, guided, and anchored in such a manner as to prevent damage to the piping. Point loads and narrow areas of contact between piping and supports shall be avoided. Suitable padding shall be placed between piping and supports where damage to piping may occur.
- (b) Valves and equipment which would transmit excessive loads to the piping shall be independently supported to prevent such loads.
- (c) Consideration shall be given to mechanical guarding in traffic areas.
- (d) Manufacturers' recommendations for support shall be considered.

**A321.5.2 Supports for Thermoplastic, RTR, and RPM Piping.** Supports shall be spaced to avoid excessive sag or deformation at the design temperature and within the design life of the piping system. Decreases in the modulus of elasticity with increasing temperature and creep of material with time shall be considered when applicable. The coefficient of thermal expansion shall be considered in the design and location of supports.

**A321.5.3 Supports for Brittle Piping.** Brittle piping, such as glass, shall be well supported but free of hindrance to expansion or other movement. Not more than one anchor shall be provided in any straight run without an expansion joint.

## PART 6 SYSTEMS

### A322 SPECIFIC PIPING SYSTEMS

#### A322.3 Instrument Piping

Paragraph 322.3 applies in its entirety, except that references to paras. A301 and A302.2.4 replace references to paras. 301 and 302.2.4, respectively.

### A322.6 Pressure Relieving Systems

Paragraph 322.6 applies in its entirety, except for para. 322.6.3. See para. A322.6.3 below.

**A322.6.3 Overpressure Protection.** Paragraph 322.6.3 applies, except that maximum relieving pressure shall be in accordance with para. A302.2.4.

## PART 7 MATERIALS

### A323 GENERAL REQUIREMENTS

#### A323.1 Materials and Specifications

Paragraph 323.1 applies except for para. 323.1.4. See para. A323.1.4 below.

**A323.1.4 Reclaimed Materials.** Reclaimed piping components may be used, provided they are properly identified as conforming to a listed or published specification (see para. 323.1.1) and otherwise meet the requirements of this Code. The user shall verify that components are suitable for the intended service. Sufficient cleaning, examination, and testing shall be performed to determine the minimum available wall thickness and freedom from any of the following to an extent that would be unacceptable in the intended service:

- (a) imperfections
- (b) reduction of mechanical properties, or
- (c) absorption of deleterious substances

#### A323.2 Temperature Limitations

The designer shall verify that materials which meet other requirements of the Code are suitable for service throughout the operating temperature range. Also see the Notes for Tables B-1 through B-5 in Appendix B.

##### A323.2.1 Upper Temperature Limits, Listed Materials

(a) Except as provided in (b) below, a listed material shall not be used at a design temperature higher than the maximum for which a stress value or rating is shown, or higher than the maximum recommended temperature in Table A323.4.2C for RTR materials and in Table A323.4.3 for thermoplastics used as linings.

(b) A listed material may be used at a temperature higher than the maximum stated in (a) above if there is no prohibition in Appendix B or elsewhere in the Code, and if the designer verifies the serviceability of the material in accordance with para. 323.2.4.

##### A323.2.2 Lower Temperature Limits, Listed Materials

(a) Materials for use at design minimum temperatures below certain limits must usually be tested to determine that they have suitable toughness for use in Code piping. Table A323.2.2 sets forth those requirements.

(b) When materials are qualified for use at temperatures below the minimum temperature listed in Appendix B, the allowable stresses or pressures shall not exceed the values for the lowest temperatures shown.

(c) See also the recommended limits in Table A323.4.2C for reinforced thermosetting resin pipe and in Table A323.4.3 for thermoplastics used as linings.

##### A323.2.3 Temperature Limits, Unlisted Materials.

Paragraph 323.2.3 applies.

##### A323.2.4 Verification of Serviceability.

When an unlisted material is to be used, or when a listed material is to be used above or below the limits in Appendix B or Table A323.4.2C or Table A323.4.3, the designer shall comply with the requirements of para. 323.2.4.

#### A323.4 Fluid Service Requirements for Nonmetallic Materials

##### A323.4.1 General

(a) Nonmetallic materials shall be safeguarded against excessive temperature, shock, vibration, pulsation, and mechanical abuse in all fluid services.

(b) Requirements in para. A323.4 apply to pressure containing parts. They do not apply to materials used for supports, gaskets, or packing. See also Appendix F, para. FA323.4.

##### A323.4.2 Specific Requirements

###### (a) Thermoplastics

(1) They shall not be used in flammable fluid service above ground, unless all of the following are met:

- (a) The size of the piping does not exceed DN 25 (NPS 1).
- (b) Owner's approval is obtained.
- (c) Safeguarding in accordance with Appendix G is provided.

(d) The precautions of Appendix F, paras. F323.1(a) through (c) are considered.

(2) They shall be safeguarded when used in other than Category D Fluid Service.

(3) PVC and CPVC shall not be used in compressed air or other compressed gas service.

(b) *Reinforced Plastic Mortars (RPM) Piping.* This piping shall be safeguarded when used in other than Category D Fluid Service.

(c) *Reinforced Thermosetting Resins (RTR) Piping.* This piping shall be safeguarded when used in toxic or flammable fluid services. Table A323.4.2C gives the recommended temperature limits for reinforced thermosetting resins.

###### (d) Borosilicate Glass and Porcelain

(1) They shall be safeguarded when used in toxic or flammable fluid services.

(2) They shall be safeguarded against large, rapid temperature changes in fluid services.

**Table A323.2.2 Requirements for Low Temperature Toughness Tests for Nonmetals**

Type of Material	Column A At or Above Listed Minimum Temperature	Column B Below Listed Minimum Temperature
Listed nonmetallic materials	No added requirement	The designer shall have test results at or below the lowest expected service temperature, which assure that the materials and bonds will have adequate toughness and are suitable at the design minimum temperature.
Unlisted materials	An unlisted material shall conform to a published specification. Where composition, properties, and product form are comparable to those of a listed material, requirements for the corresponding listed material shall be met. Other unlisted materials shall be qualified as required in Column B.	

GENERAL NOTE: These requirements are in addition to the requirements of the material specification.

**Table A323.4.2C Recommended Temperature Limits for Reinforced Thermosetting Resin Pipe**

Materials		Recommended Temperature Limits			
		Minimum		Maximum	
Resin	Reinforcing	°C	°F	°C	°F
Epoxy	Glass fiber	-29	-20	149	300
Phenolic	Glass fiber	-29	-20	149	300
Furan	Carbon	-29	-20	93	200
Furan	Glass fiber	-29	-20	93	200
Polyester	Glass fiber	-29	-20	93	200
Vinyl ester	Glass fiber	-29	-20	93	200

GENERAL NOTE: These temperature limits apply only to materials listed and do not reflect evidence of successful use in specific fluid services at these temperatures. The designer should consult the manufacturer for specific applications, particularly as the temperature limits are approached.

**Table A323.4.3 Recommended Temperature Limits for Thermoplastics Used as Linings**

Materials [Note (1)]	Minimum		Maximum	
	°C	°F	°C	°F
PFA	-198	-325	260	500
PTFE	-198	-325	260	500
FEP	-198	-325	204	400
ECTFE	-198	-325	171	340
ETFE	-198	-325	149	300
PVDF	-18	0	135	275
PP	-18	0	107	225
PVDC	-18	0	79	175

GENERAL NOTE: These temperature limits are based on material tests and do not necessarily reflect evidence of successful use as piping component linings in specific fluid services at these temperatures. The designer should consult the manufacturer for specific applications, particularly as temperature limits are approached.

NOTE:

(1) See para. A326.4 for definitions of materials.

### A323.4.3 Piping Lined With Nonmetals

(a) *Metallic Piping Lined With Nonmetals.* Fluid service requirements for the base (outer) material in para. 323.4 govern except as stated in (d) below.

(b) *Nonmetallic Piping Lined With Nonmetals.* Fluid service requirements for the base (outer) material in para. A323.4.2 govern, except as stated in (d) below.

(c) *Nonmetallic Lining Materials.* The lining may be any material that, in the judgment of the user, is suitable for the intended service and for the method of manufacture and assembly of the piping. Fluid service requirements in para. A323.4.2 do not apply to materials used as linings.

(d) Properties of both the base and lining materials, and of any bond between them, shall be considered in establishing temperature limitations. Table A323.4.3 gives recommended temperature limits for thermoplastic materials used as linings.

### A323.5 Deterioration of Materials in Service

Paragraph 323.5 applies in its entirety.

### A325 MATERIALS — MISCELLANEOUS

Paragraph 325 applies in its entirety.

## PART 8

### STANDARDS FOR PIPING COMPONENTS

#### A326 DIMENSIONS AND RATINGS OF COMPONENTS

##### A326.1 Requirements

Paragraph 326 applies in its entirety except that references to Table A326.1 and Appendix B replace references to Table 326.1 and Appendix A, respectively.

### A326.4 Abbreviations in Table A326.1 and Appendix B

The abbreviations tabulated below are used in this Chapter to replace lengthy phrases in the text, in the titles of standards in Table A326.1, and in the Specification Index for Appendix B. Those marked with an asterisk (\*) are in accordance with ASTM D1600, Standard Terminology for Abbreviated Terms Relating to Plastics. Those items marked with a dagger (†) are in accordance with ASTM F412, Standard Terminology Relating to Plastic Piping Systems.

Abbreviation	Term
ABS*†	Acrylonitrile-butadiene-styrene plastics
BPS	Bonding Procedure Specification
CPVC*†	Chlorinated poly(vinyl chloride) plastics
DR†	Dimension ratio
DS	Design stress
E-CTFE*	Ethylene-chlorotrifluoroethylene
ETFE*	Ethylene-tetrafluoroethylene copolymer
FEP*	Perfluoro (ethylene-propylene) copolymer
HDBS	Hydrostatic Design Basis Stress
HDS†	Hydrostatic Design Stress
PB*†	Polybutylene-1
PE*†	Polyethylene
PFA*	Perfluoro (alkoxyalkane)
PP*†	Polypropylene
PQR	Procedure Qualification Record
PR†	Pressure rating
PTFE*	Polytetrafluoroethylene
PVC*†	Poly(vinyl chloride)
PVDC*	Poly(vinylidene chloride)
PVDF*	Poly(vinylidene fluoride)
RPM	Reinforced plastic mortar
RTP	Reinforced thermosetting plastic
RTR	Reinforced thermosetting resin
SDR†	Standard dimension ratios
SIDR†	Standard inside diameter dimension ratio
WPS	Welding Procedure Specification

**Table A326.1 Component Standards**

(12)

Standard or Specification	Designation
<b>Nonmetallic Fittings, Valves, and Flanges</b>	
Process Glass Pipe and Fittings . . . . .	ASTM C599
Threaded PVC Plastic Pipe Fittings, Sch 80 . . . . .	ASTM D2464
PVC Plastic Pipe Fittings, Sch 40 . . . . .	ASTM D2466
PVC Plastic Pipe Fittings, Sch 80 . . . . .	ASTM D2467
Socket-Type ABS Plastic Pipe Fittings, Sch 40 . . . . .	ASTM D2468
Thermoplastic Gas Pressure Pipe, Tubing, and Fittings . . . . .	ASTM D2513
Reinforced Epoxy Resin Gas Pressure Pipe and Fittings . . . . .	ASTM D2517
Plastic Insert Fittings for PE Plastic Pipe . . . . .	ASTM D2609
Socket-Type PE Fittings for Outside Diameter-Controlled PE Pipe and Tubing . . . . .	ASTM D2683
CPVC Plastic Hot- and Cold-Water Distribution Systems . . . . .	ASTM D2846/D2846M
Butt Heat Fusion PE Plastic Fittings for PE Plastic Pipe and Tubing. . . . .	ASTM D3261
PB Plastic Hot- and Cold-Water Distribution Systems . . . . .	ASTM D3309
Fiberglass RTR Pipe Fittings for Nonpressure Applications [Note (1)]. . . . .	ASTM D3840
Machine Made "Fiberglass" (Glass-Fiber-Reinforced Thermosetting Resin) Flanges . . . . .	ASTM D4024
Contact Molded Fiberglass RTR Flanges [Note (1)] . . . . .	ASTM D5421
Fiberglass Pressure Pipe Fittings . . . . .	ASTM D5685
PTFE Plastic-Lined Ferrous Metal Pipe and Fittings [Notes (2) and (3)] . . . . .	ASTM F423
Threaded CPVC Plastic Pipe Fittings, Sch 80 . . . . .	ASTM F437
Socket-Type CPVC Plastic Pipe Fittings, Sch 40. . . . .	ASTM F438
CPVC Plastic Pipe Fittings, Schedule 80 . . . . .	ASTM F439
PVDF Plastic-Lined Ferrous Metal Pipe and Fittings [Notes (2) and (3)] . . . . .	ASTM F491
Propylene and PP Plastic-Lined Ferrous Metal Pipe and Fittings [Notes (2) and (3)] . . . . .	ASTM F492
FEP Plastic-Lined Ferrous Metal Pipe and Fittings [Notes (2) and (3)] . . . . .	ASTM F546
PVDC Plastic-Lined Ferrous Metal Pipe and Fittings [Notes (2) and (3)] . . . . .	ASTM F599
PFA Plastic-Lined Ferrous Metal Pipe and Fittings [Notes (2) and (3)] . . . . .	ASTM F781
Electrofusion Type PE Fittings for Outside Diameter Controlled PE Pipe and Tubing. . . . .	ASTM F1055
Plastic-Lined Ferrous Metal Pipe, Fittings, and Flanges [Notes (2) and (3)] . . . . .	ASTM F1545
Pressure-Rated Polypropylene (PP) Piping Systems . . . . .	ASTM F2389
Plastic Industrial Ball Valves [Notes (2) and (3)]. . . . .	MSS SP-122
<b>Nonmetallic Pipes and Tubes</b>	
PE Line Pipe . . . . .	API 15LE
Low Pressure Fiberglass Line Pipe . . . . .	API 15LR
Reinforced Concrete Low-Head Pressure Pipe . . . . .	ASTM C361
Process Glass Pipe and Fittings . . . . .	ASTM C599
ABS Plastic Pipe, Sch 40 and 80 . . . . .	ASTM D1527
PVC Plastic Pipe, Sch 40, 80 and 120 . . . . .	ASTM D1785
PE Plastic Pipe (SIDR-PR) Based on Controlled Inside Diameter. . . . .	ASTM D2239
PVC Plastic Pressure-Rated Pipe (SDR Series) . . . . .	ASTM D2241
ABS Plastic Pipe (SDR-PR) . . . . .	ASTM D2282
Classification for Machine-Made RTR Pipe . . . . .	ASTM D2310
PE Plastic Pipe, Sch 40 & 80, Based on Outside Diameter . . . . .	ASTM D2447
Thermoplastic Gas Pressure Pipe, Tubing, and Fittings . . . . .	ASTM D2513
Reinforced Epoxy Resin Gas Pressure Pipe and Fittings . . . . .	ASTM D2517
PB Plastic Pipe (SDR-PR) . . . . .	ASTM D2662
PB Plastic Tubing. . . . .	ASTM D2666
Joints for IPS PVC Pipe Using Solvent Cement . . . . .	ASTM D2672

(12)

**Table A326.1 Component Standards (Cont'd)**

Standard or Specification	Designation
<b>Nonmetallic Pipes and Tubes (Cont'd)</b>	
PE Plastic Tubing . . . . .	ASTM D2737
CPVC Plastic Hot- and Cold-Water Distribution System . . . . .	ASTM D2846/D2846M
Filament-Wound Fiberglass RTR Pipe [Note (1)]. . . . .	ASTM D2996
Centrifugally Cast Fiberglass RTR Pipe . . . . .	ASTM D2997
PB Plastic Pipe (SDR-PR) Based on Outside Diameter . . . . .	ASTM D3000
PE Plastic Pipe (DR-PR) Based on Controlled Outside Diameter. . . . .	ASTM D3035
PB Plastic Hot- and Cold-Water Distribution Systems . . . . .	ASTM D3309
Fiberglass RTR Pressure Pipe [Note (1)]. . . . .	ASTM D3517
Fiberglass RTR Sewer and Industrial Pressure Pipe [Note (1)]. . . . .	ASTM D3754
PTFE Plastic-Lined Ferrous Metal Pipe and Fittings [Notes (2) and (3)]. . . . .	ASTM F423
CPVC Plastic Pipe, Sch 40 and 80 . . . . .	ASTM F441/F441M
CPVC Plastic Pipe (SDR-PR) . . . . .	ASTM F442/F442M
PVDF Plastic-Lined Ferrous Metal Pipe and Fittings [Notes (2) and (3)] . . . . .	ASTM F491
Propylene and PP Plastic-Lined Ferrous Metal Pipe and Fittings [Notes (2) and (3)] . . . . .	ASTM F492
FEP Plastic-Lined Ferrous Metal Pipe and Fittings [Notes (2) and (3)] . . . . .	ASTM F546
PVDC Plastic-Lined Ferrous Metal Pipe and Fittings [Notes (2) and (3)] . . . . .	ASTM F599
PFA Plastic-Lined Ferrous Metal Pipe and Fittings [Notes (2) and (3)] . . . . .	ASTM F781
Crosslinked Polyethylene/Aluminum/Crosslinked Polyethylene (PEX-AL-PEX) Pressure Pipe . . . . .	ASTM F1281
Polyethylene/Aluminum/Polyethylene (PE-AL-PE) Composite Pressure Pipe . . . . .	ASTM F1282
Polyolefin Pipe and Fittings for Corrosive Waste Drainage Systems [Notes (2) and (3)]. . . . .	ASTM F1412
Plastic-Lined Ferrous Metal Pipe, Fittings, and Flanges [Notes (2) and (3)] . . . . .	ASTM F1545
PVDF Corrosive Waste Drainage Systems . . . . .	ASTM F1673
Pressure-Rated Polypropylene (PP) Piping Systems . . . . .	ASTM F2389
Reinforced Concrete Pressure Pipe, Steel Cylinder Type, for Water and Other Liquids . . . . .	AWWA C300
Prestressed Concrete Pressure Pipe, Steel Cylinder Type, for Water and Other Liquids . . . . .	AWWA C301
Reinforced Concrete Pressure Pipe, Noncylinder Type . . . . .	AWWA C302
PVC Pressure Pipe, 4-inch through 12-inch, for Water. . . . .	AWWA C900
Fiberglass Pressure Pipe . . . . .	AWWA C950
<b>Miscellaneous</b>	
Contact-Molded RTP Laminates for Corrosion Resistant Equipment. . . . .	ASTM C582
Threads for Fiberglass RTR Pipe (60 deg stub) [Note (1)] . . . . .	ASTM D1694
Solvent Cements for ABS Plastic Pipe and Fittings . . . . .	ASTM D2235
Solvent Cements for PVC Plastic Piping Systems. . . . .	ASTM D2564
Joints for Plastic Pressure Pipes Using Flexible Elastomeric Seals . . . . .	ASTM D3139
Fiberglass RTR Pipe Joints Using Flexible Elastomeric Seals [Note (1)] . . . . .	ASTM D4161
Design and Construction of Nonmetallic Enveloped Gaskets for Corrosive Service . . . . .	ASTM F336
Solvent Cements for CPVC Plastic Pipe and Fittings . . . . .	ASTM F493
Taper Pipe Threads 60° for Thermoplastic Pipe and Fittings . . . . .	ASTM F1498
Metal Insert Fittings for Polyethylene/Aluminum/Polyethylene and Crosslinked Polyethylene/Aluminum/ Crosslinked Polyethylene Composite Pressure Pipe . . . . .	ASTM F1974

GENERAL NOTE: It is not practical to refer to a specific edition of each standard throughout the Code text. Instead, the approved edition references, along with the names and addresses of the sponsoring organizations, are shown in Appendix E.

## NOTES:

- (1) The term *fiberglass RTR* takes the place of the ASTM designation *fiberglass (glass-fiber-reinforced thermosetting resin)*.
- (2) This Standard allows the use of unlisted materials; see para. 323.1.2.
- (3) This Standard contains no pressure–temperature ratings.

## PART 9 FABRICATION, ASSEMBLY, AND ERECTION

### A327 GENERAL

Piping materials and components are prepared for assembly and erection by one or more of the fabrication processes in paras. A328, A329, A332, and A334. When any of these processes is used in assembly and erection, requirements are the same as for fabrication.

### A328 BONDING OF PLASTICS

Paragraph A328 applies only to joints in thermoplastic, RTR, and RPM piping. Bonding shall conform to paras. A328.1 through A328.7 and the applicable requirements of para. A311.

#### A328.1 Bonding Responsibility

Each employer is responsible for the bonding done by personnel of his organization and, except as provided in paras. A328.2.2 and A328.2.3, shall conduct the required performance qualification tests to qualify bonding procedure specifications (BPS) and bonders or bonding operators.

#### A328.2 Bonding Qualifications

##### A328.2.1 Qualification Requirements

(a) Qualification of the BPS to be used, and of the performance of bonders and bonding operators, is required. To qualify a BPS, all tests and examinations specified therein and in para. A328.2.5 shall be completed successfully.

(b) In addition to the procedure for making the bonds, the BPS shall specify at least the following:

- (1) all materials and supplies (including storage requirements)
- (2) tools and fixtures (including proper care and handling)
- (3) environmental requirements (e.g., temperature, humidity, and methods of measurement)
- (4) joint preparation
- (5) dimensional requirements and tolerances
- (6) cure time
- (7) protection of work
- (8) tests and examinations other than those required by para. A328.2.5
- (9) acceptance criteria for the completed test assembly

**A328.2.2 Procedure Qualification by Others.** Subject to the specific approval of the Inspector, a BPS qualified by others may be used provided that

(a) the Inspector satisfies him/herself that the proposed qualified BPS has been prepared and executed by a responsible recognized organization with expertise in the field of bonding

(b) by signature, the employer accepts both the BPS and procedure qualification record (PQR) as his own

(c) the employer has at least one currently employed bonder who, while in his employ, has satisfactorily passed a performance qualification test using the proposed qualified BPS

##### A328.2.3 Performance Qualification by Others.

Without the Inspector's specific approval, an employer shall not accept a performance qualification test made by a bonder or bonding operator for another employer. If approval is given, it is limited to work on piping using the same or equivalent BPS. An employer accepting such performance qualification tests shall obtain a copy of the performance qualification test record from the previous employer showing the name of the employer by whom the bonder or bonding operator was qualified, the date of such qualification, and the date the bonder or bonding operator last bonded pressure piping under such performance qualification.

**A328.2.4 Qualification Records.** The employer shall maintain a self-certified record, available to the owner or owner's agent and to the Inspector, of the BPS used and the bonders or bonding operators employed by him/her, and showing the dates and results of BPS qualifications and bonding performance qualifications.

**A328.2.5 Qualification Tests.** Tests, as specified in para. A328.2.1(a), shall be performed to qualify each BPS and the performance of each bonder and bonding operator. Test assemblies shall conform to (a) below and the test method shall be in accordance with either (b) or (c). (12)

(a) *Test Assembly.* The assembly shall be fabricated in one pipe size in accordance with the BPS and shall contain at least one of each different type of joint identified in the BPS. More than one test assembly may be prepared if necessary to accommodate all of the joint types or to assure that at least one of each joint type is loaded in both circumferential and longitudinal directions. The size of pipe and fittings in the assembly shall be as follows:

(1) When the largest size to be qualified is DN 100 (NPS 4) or smaller, the test assembly shall be the largest size qualified.

(2) When the largest size to be qualified is greater than DN 100 (NPS 4), the size of the test assembly shall be between 25% and 100% of the largest piping size qualified, but shall be a minimum of DN 100 (NPS 4).

(b) *Burst Test Method.* The test assembly shall be subjected to a burst test in accordance with the applicable

sections of ASTM D1599.<sup>5</sup> The time to burst in this standard may be extended. The test is successful if failure initiates outside of any bonded joint.

(c) *Hydrostatic Test Method.* The test assembly shall be subjected to hydrostatic pressure of at least  $P_T$  for not less than 1 hr with no leakage or separation of joints.

(1) For thermoplastics,  $P_T$  shall be determined in accordance with eq. (27)

$$P_T = 0.80\bar{T} \left( \frac{S_S + S_H}{D - \bar{T}} \right) \quad (27)$$

where

$D$  = outside diameter of pipe

$S_H$  = mean long term hydrostatic strength (LTHS) in accordance with ASTM D2837. Use twice the 23°C (73°F) HDB design stress from Table B-1 if listed, or use manufacturer's data.

$S_S$  = mean short term burst stress in accordance with ASTM D1599,<sup>5</sup> from Table B-1 if listed, otherwise from manufacturer's data

$\bar{T}$  = nominal thickness of pipe

(2) For RTR (laminated and filament-wound) and RPM,  $P_T$  shall be three times the manufacturer's allowable pressure for the components being joined.

(3) The test shall be conducted so that the joint is loaded in both the circumferential and longitudinal directions.

**A328.2.6 Performance Requalification.** Renewal of a bonding performance qualification is required when

(a) a bonder or bonding operator has not used the specific bonding process for a period of 6 mo or more, or

(b) there is specific reason to question the individual's ability to make bonds that meet the BPS

### A328.3 Bonding Materials and Equipment

**A328.3.1 Materials.** Bonding materials that have deteriorated by exposure to air or prolonged storage, or will not spread smoothly, shall not be used in making joints.

**A328.3.2 Equipment.** Fixtures and tools used in making joints shall be in such condition as to perform their functions satisfactorily.

### A328.4 Preparation for Bonding

Preparation shall be defined in the BPS and shall specify such requirements as

(a) cutting

- (b) cleaning
- (c) preheat
- (d) end preparation
- (e) fit-up

### A328.5 Bonding Requirements

#### A328.5.1 General

(a) Production joints shall be made only in accordance with a written bonding procedure specification (BPS) that has been qualified in accordance with para. A328.2. Manufacturers of piping materials, bonding materials, and bonding equipment should be consulted in the preparation of the BPS.

(b) Production joints shall be made only by qualified bonders or bonding operators who have appropriate training or experience in the use of the applicable BPS and have satisfactorily passed a performance qualification test that was performed in accordance with a qualified BPS.

(c) Each qualified bonder and bonding operator shall be assigned an identification symbol. Unless otherwise specified in the engineering design, each pressure containing bond or adjacent area shall be stenciled or otherwise suitably marked with the identification symbol of the bonder or bonding operator. Identification stamping shall not be used and any marking paint or ink shall not be detrimental to the piping material. In lieu of marking the bond, appropriate records may be filed.

(d) Qualification in one BPS does not qualify a bonder or bonding operator for any other bonding procedure.

(e) Longitudinal joints are not covered in para. A328.

#### A328.5.2 Hot Gas Welded Joints in Thermoplastic Piping<sup>5</sup>

(a) *Preparation.* Surfaces to be hot gas welded together shall be cleaned of any foreign material. For butt welds, the joining edges should be beveled at 20 deg to 40 deg with 1 mm ( $1/32$  in.) root face and root gap.

(b) *Procedure.* Joints shall be made in accordance with the qualified BPS.

(c) *Branch Connections.* A fabricated branch connection shall be made by inserting the branch pipe in the hole in the run pipe. Dimensions of the joint shall conform to Fig. 328.4.4 sketch (c). The hole in the run pipe shall be beveled at 45 deg. Alternatively, a fabricated branch connection shall be made using a manufactured full reinforcement saddle with integral socket.

#### A328.5.3 Solvent Cemented Joints in Thermoplastic Piping<sup>5</sup>

(a) *Preparation.* Thermoplastic pipe and fitting surfaces shall be prepared in accordance with ASTM D2855 for PVC, ASTM F493 for CPVC, and ASTM D2235 for ABS. A dry fit test of each joint is required before solvent cementing. The pipe shall enter the fitting socket between one-third and two-thirds of the full socket depth when assembled by hand.

<sup>5</sup> Titles of referenced standards and specifications are listed in Table A326.1, except ASTM D1599, Test Method for Resistance to Short-Time Hydraulic Pressure of Plastic Pipe, Tubing, and Fittings; ASTM D2657, Practice for Heat Fusion Joining of Polyolefin Pipe and Fittings; ASTM D2855, Practice for Making Solvent-Cemented Joints with PVC Pipe and Fittings; and ASTM F1290, Practice for Electrofusion Joining Polyolefin Pipe and Fittings.



(b) *Procedure.* Joints shall be made in accordance with the qualified BPS. ASTM D2855 provides a suitable basis for development of such a procedure. Solvent cements for PVC, CPVC, and ABS shall conform to ASTM D2564, D2846, and D2235, respectively. Application of cement to both surfaces to be joined and assembly of these surfaces shall produce a continuous bond between them with visual evidence of cement at least flush with the outer end of the fitting bore around the entire joint perimeter. See Fig. A328.5.3.

(c) *Branch Connections.* A fabricated branch connection shall be made using a manufactured full reinforcement saddle with integral branch socket. The reinforcement saddle shall be solvent cemented to the run pipe over its entire contact surface.

#### **A328.5.4 Heat Fusion Joints in Thermoplastic Piping**<sup>5</sup>

(a) *Preparation.* Surfaces to be heat fused together shall be cleaned of all foreign material.

(b) *Procedure.* Joints shall be made in accordance with the qualified BPS. The general procedures in ASTM D2657, Techniques I — Socket Fusion, II — Butt Fusion, and III — Saddle Fusion, provide a suitable basis for development of such a procedure. Uniform heating of both surfaces to be joined and assembly of these surfaces shall produce a continuous homogeneous bond between them and shall produce a small fillet of fused material at the outer limits of the joint. See Fig. A328.5.4 for typical heat fusion joints. Fixtures shall be used to align components when joints are made.

(c) *Branch Connections.* A fabricated branch connection is permitted only where molded fittings are unavailable.

#### **A328.5.5 Electrofusion Joints in Thermoplastic Piping**<sup>5</sup>

(a) *Preparation.* Surfaces to be heat fused together shall be cleaned of all foreign material.

(b) *Procedure.* Joints shall be made in accordance with the qualified BPS. The general procedures in ASTM F1290, Technique I — Coupling Procedure and Technique II — Saddle Procedure provide a suitable basis for the development of such a procedure. See Fig. A328.5.5.

#### **A328.5.6 Adhesive Joints in RTR and RPM Piping**

(a) *Procedure.* Joints shall be made in accordance with the qualified BPS. Application of adhesive to the surfaces to be joined and assembly of these surfaces shall produce a continuous bond between them and shall seal over all cuts to protect the reinforcement from the service fluid. See Fig. A328.5.6.

(b) *Branch Connections.* A fabricated branch connection shall be made using a manufactured full reinforcement saddle having a socket or integral length of branch pipe suitable for a nozzle or coupling. The hole in the run pipe shall be made with a hole saw; the cut edges

of the hole shall be sealed with adhesive at the time the saddle is bonded to the run pipe.

#### **A328.5.7 Butt-and-Wrapped Joints in RTR and RPM Piping**<sup>5</sup>

(a) *Procedure.* Joints shall be made in accordance with the qualified BPS. Application of plies of reinforcement saturated with catalyzed resin to the surfaces to be joined shall produce a continuous structure with them. Cuts shall be sealed to protect the reinforcement from the service fluid. See Fig. A328.5.7.

(b) *Branch Connections.* For a fabricated branch connection made by inserting the branch pipe into a hole in the run pipe, the hole shall be made with a hole saw.

#### **A328.6 Bonding Repair**

Defective material, joints, and other workmanship that fails to meet the requirements of this Code and of the engineering design shall be repaired or replaced. See also para. 341.3.3.

#### **A328.7 Seal Bonds**

If threaded joints are to be seal bonded in accordance with para. A311.2.2, the work shall be done by qualified bonders and all exposed threads shall be covered by the seal bond.

### **A329 FABRICATION OF PIPING LINED WITH NONMETALS**

#### **A329.1 Welding of Metallic Piping**

##### **A329.1.1 General**

(a) Paragraph A329.1 applies only to welding subassemblies of metallic piping that have previously been lined with nonmetals.

(b) Welding which conforms to para. A329.1 may be used in accordance with para. A318.3.1.

**A329.1.2 Specific Welding Requirements.** Welding shall conform to the requirements of para. 328 and the following additional requirements:

(a) Modifications made in preparation for welding to suit manufacturer's recommendations shall be specified in the engineering design.

(b) Welding shall be performed so as to maintain the continuity of the lining and its serviceability.

(c) If a lining has been damaged, it shall be repaired or replaced.

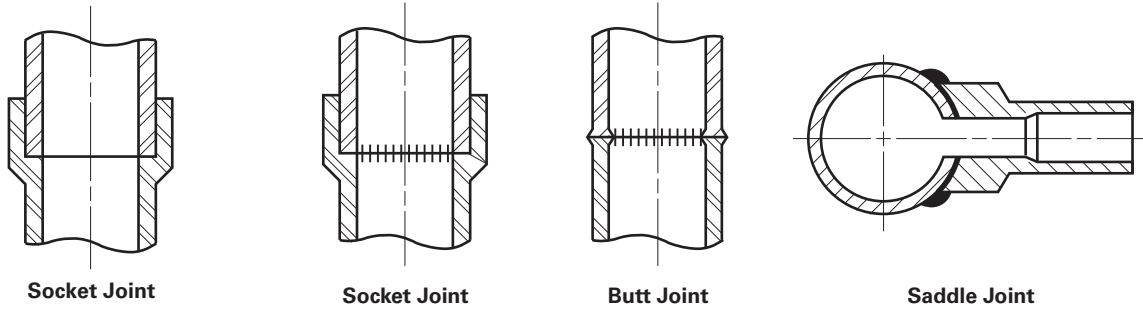
(d) Qualification to one WPS for a specific lining material does not qualify a welder or welding operator for any other welding procedure involving different lining materials.

#### **A329.2 Flaring of Nonmetallic Linings**

##### **A329.2.1 General**

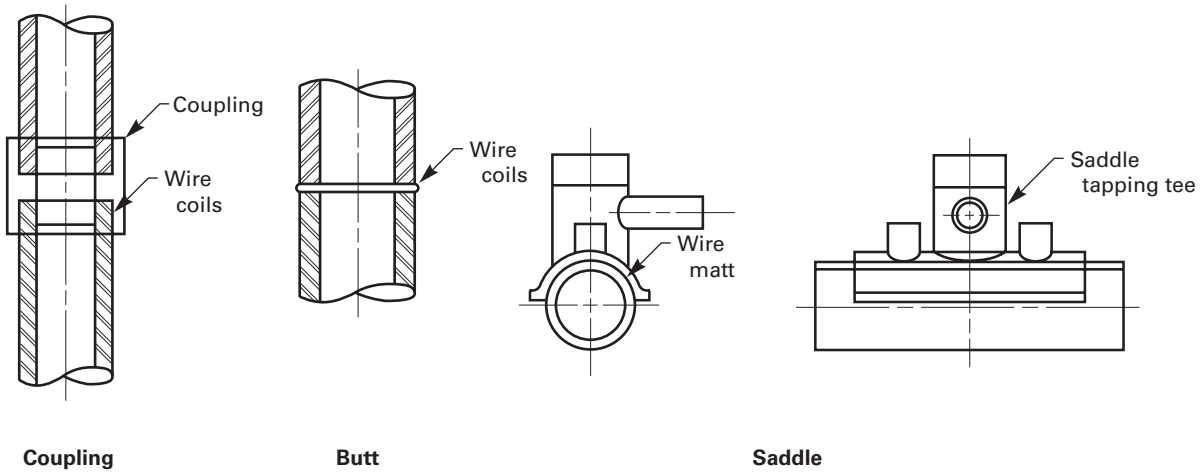
(a) Paragraph A329.2 applies only to the flaring of linings in pipe that has previously been lined with nonmetals.

**Fig. A328.5 Typical Plastic Piping Joints**

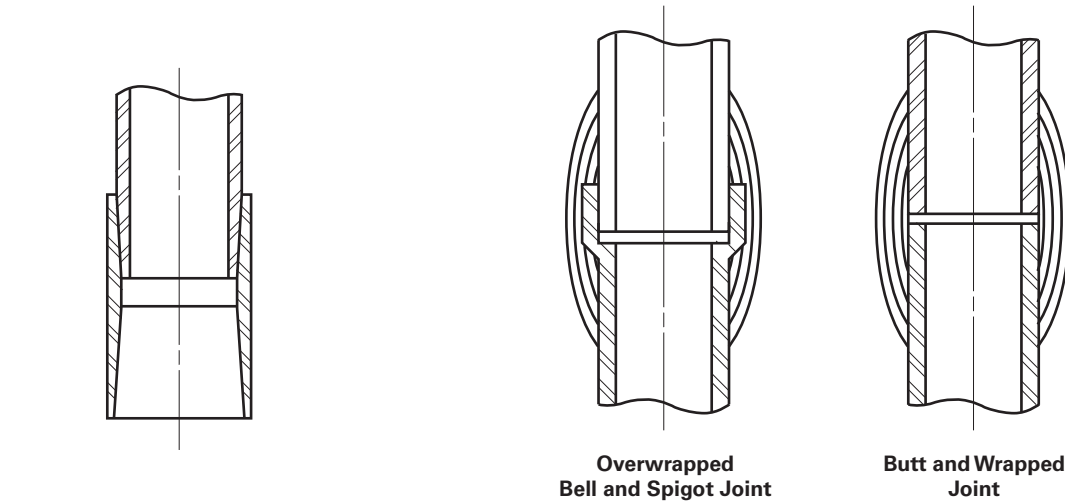


**FIG. A328.5.3 THERMOPLASTIC SOLVENT CEMENTED JOINT**

**FIG. A328.5.4 THERMOPLASTIC HEAT FUSION JOINTS**



**FIG. A328.5.5 THERMOPLASTIC ELECTROFUSION JOINTS**



**FIG. A328.5.6 FULLY TAPERED THERMOSETTING ADHESIVE JOINT**

**FIG. A328.5.7 THERMOSETTING WRAPPED JOINTS**

(b) Flaring which conforms to para. A329.2 may be used in accordance with para. A318.3.2.

(c) Flaring shall be performed only in accordance with a written flaring procedure specification, and only by qualified operators who have appropriate training or experience in the use of the applicable flaring procedure specification.

## **A332 BENDING AND FORMING**

### **A332.1 General**

Paragraph 332.1 applies in its entirety.

### **A332.2 Bending**

Paragraph 332.2 applies, except para. 332.2.2.

### **A332.3 Forming**

Paragraph 332.3 applies, except for heat treatment.

## **A334 JOINING NONPLASTIC PIPING**

### **A334.1 Borosilicate Glass Piping**

Short unflanged pieces used to correct for differences between fabrication drawings and field dimensions may be cut to length and finished in the field.

### **A334.2 Repair of Defects**

Defective material, joints, and other workmanship in nonplastic piping that fail to meet the requirements of para. A334 or of the engineering design shall be repaired or replaced.

Completed repairs and replacements shall be examined, subject to the same limitations on imperfections as the original work.

## **A335 ASSEMBLY AND ERECTION**

### **A335.1 Alignment**

Paragraph 335.1 applies in its entirety.

### **A335.2 Flanged and Mechanical Joints**

Paragraph 335.2 applies in its entirety.

#### **A335.2.5 Nonmetallic Bolted Joints**

(a) Bolted joints in nonmetallic piping may be assembled with any combination of flange material and flange facings, except that the following apply when other than flat face flanges and full face gaskets are used:

(1) consideration shall be given to the strength of the flanges, and to sustained loads, displacement strains, and occasional loads described in paras. A302.3.4 and A302.3.5, and

(2) an appropriate bolt-up sequence shall be specified

(b) Appropriate limits shall be specified for bolt-up torque, and those limits shall not be exceeded.

(c) Flat washers shall be used under bolt heads and nuts.

**A335.2.6 Metallic Piping Lined With Nonmetals.** In assembling mechanical joints in metallic piping lined with nonmetals, consideration shall be given to means for maintaining electrical continuity between pipe sections, where static sparking could cause ignition of flammable vapors. See Appendix F, para. FA323.4(a).

### **A335.3 Threaded Joints**

Paragraph 335.3 applies except for para. 335.3.2. See para. A335.3.2.

**A335.3.2 Joints for Seal Bonding.** A threaded joint to be seal bonded shall be made up without thread compound. A joint containing thread compound which leaks during leak testing may be seal bonded in accordance with para. A328.6, provided all compound is removed from exposed threads.

**A335.3.4 Tools, Nonmetallic Piping.** Either strap wrenches or other full circumference wrenches shall be used to tighten threaded pipe joints. Tools and other devices used to hold or apply forces to the pipe shall be such that the pipe surface is not scored or deeply scratched.

**A335.3.5 RTR and RPM Piping.** In assembling threaded joints in RTR and RPM piping, where threads may be exposed to fluids which can attack the reinforcing material, threads shall be coated with sufficient resin to cover the threads and completely fill the clearance between the pipe and the fitting.

### **A335.4 Tubing Joints**

**A335.4.1 Flared Joints in Thermoplastic Tubing.** Paragraph 335.4.1 applies.

**A335.4.2 Flareless and Compression Tubing Joints.** Paragraph 335.4.2 applies.

### **A335.5 Caulked Joints**

Paragraph 335.5 applies.

### **A335.6 Special Joints**

Paragraph 335.6 applies, except that expanded joints are not permitted.

**A335.6.3 Flexible Elastomeric Sealed Joints.** Assembly of flexible elastomeric sealed joints shall be in accordance with the manufacturer's recommendations and the following:

(a) Seal and bearing surfaces shall be free from injurious imperfections.

(b) Any lubricant used to facilitate joint assembly shall be compatible with the joint components and the intended service.

(c) Proper joint clearances and piping restraints (if not integral in the joint design) shall be provided to prevent

joint separation when expansion can occur due to thermal and/or pressure effects.

### A335.8 Assembly of Brittle Piping

**A335.8.1 General.** Care shall be used to avoid scratching of brittle nonmetallic piping in handling and supporting. Any scratched or chipped components shall be replaced. Care shall be used in handling glass-lined and cement-lined metal pipe because the lining can be injured or broken by blows that do not dent or break the pipe.

**A335.8.2 Borosilicate Glass Piping.** In addition to the precaution in para. A335.8.1, borosilicate glass piping components shall be protected from weld spatter. Any component so damaged shall be replaced. Flanges and cushion inserts shall be carefully fitted and aligned to pipe, fittings, and valve ends. Gaskets shall be of the construction recommended for the joint. Installation and torquing of bolts shall be in accordance with the manufacturer's recommendations.

### A335.9 Cleaning of Piping

See Appendix F, para. F335.9.

## PART 10 INSPECTION, EXAMINATION, AND TESTING

### A340 INSPECTION

Paragraph 340 applies in its entirety.

### A341 EXAMINATION

#### A341.1 General

Paragraph 341.1 applies.

#### A341.2 Responsibility for Examination

Paragraph 341.2 applies in its entirety.

#### A341.3 Examination Requirements

**A341.3.1 Responsibility for Examination.** Paragraph 341.3.1 applies, except for (a) and (b), which apply only for metals.

**A341.3.2 Acceptance Criteria.** Acceptance criteria shall be as stated in the engineering design and shall at least meet the applicable requirements for bonds in Table A341.3.2 and requirements elsewhere in the Code.

**A341.3.3 Defective Components and Workmanship.** Paragraph 341.3.3 applies in its entirety.

**A341.3.4 Progressive Sampling for Examination.** Paragraph 341.3.4 applies in its entirety.

### A341.4 Extent of Required Examination

**A341.4.1 Examination Normally Required.** Piping in Normal Fluid Service shall be examined to the extent specified herein or to any greater extent specified in the engineering design. Acceptance criteria are as stated in para. A341.3.2 unless otherwise specified.

(a) *Visual Examination.* At least the following shall be examined in accordance with para. 344.2:

(1) materials and components in accordance with para. 341.4.1(a)(1).

(2) at least 5% of fabrication. For bonds, each type of bond made by each bonder and bonding operator shall be represented.

(3) 100% of fabrication for bonds other than circumferential, except those in components made in accordance with a listed specification.

(4) assembly and erection of piping in accordance with paras. 341.4.1(a)(4), (5), and (6).

(b) *Other Examination.* Not less than 5% of all bonded joints shall be examined by in-process examination in accordance with para. 344.7, the joints to be examined being selected to ensure that the work of each bonder and bonding operator making the production joints is examined.

(c) *Certifications and Records.* Paragraph 341.4.1(c) applies.

#### A341.4.2 Examination — Category D Fluid Service.

Piping and piping elements for Category D Fluid Service as designated in the engineering design shall be visually examined to the extent necessary to satisfy the examiner that components, materials, and workmanship conform to the requirements of this Code and the engineering design.

### A341.5 Supplementary Examination

**A341.5.1 General.** Any applicable method of examination described in para. 344 may be specified by the engineering design to supplement the examination required by para. A341.4. The extent of supplementary examination to be performed and any acceptance criteria that differ from those in para. A341.3.2 shall be specified in the engineering design.

**A341.5.2 Examinations to Resolve Uncertainty.** Paragraph 341.5.3 applies.

### A342 EXAMINATION PERSONNEL

Paragraph 342 applies in its entirety.

### A343 EXAMINATION PROCEDURES

Paragraph 343 applies in its entirety.

**Table A341.3.2 Acceptance Criteria for Bonds**

Kind of Imperfection	Thermoplastic			RTR and RPM [Note (1)]
	Hot Gas Welded	Solvent Cemented	Heat Fusion	Adhesive Cemented
Cracks	None permitted	Not applicable	Not applicable	Not applicable
Unfilled areas in joint	None permitted	None permitted	None permitted	None permitted
Unbonded areas in joint	Not applicable	None permitted	None permitted	None permitted
Inclusions of charred material	None permitted	Not applicable	Not applicable	Not applicable
Unfused filler material inclusions	None permitted	Not applicable	Not applicable	Not applicable
Protrusion of material into pipe bore, % of pipe wall thickness	Not applicable	Cement, 50%	Fused material, 25%	Adhesive, 25%

NOTE:

(1) RTR = reinforced thermosetting resin; RPM = reinforced plastic mortar.

**A344 TYPES OF EXAMINATION****A344.1 General**

Paragraph 344.1 applies in its entirety.

**A344.2 Visual Examination**

Paragraph 344.2 applies in its entirety.

**A344.5 Radiographic Examination**

Radiographic examination may be used in accordance with para. 344.1.2.

**A344.6 Ultrasonic Examination**

Ultrasonic examination may be used in accordance with para. 344.1.2.

**A344.7 In-Process Examination**

Paragraph 344.7 applies in its entirety.

**A345 TESTING****A345.1 Required Leak Test**

(a) Prior to initial operation, each piping system shall be tested to ensure tightness. The test shall be a hydrostatic leak test in accordance with para. A345.4, except as provided herein.

(b) Paragraphs 345.1(a) and (b) apply.

**A345.2 General Requirements for Leak Test**

Requirements in para. A345.2 apply to more than one type of leak test.

**A345.2.1 Limitations on Pressure.** Paragraphs 345.2.1(b) and (c) apply.

**A345.2.2 Other Test Requirements**

(a) Paragraph 345.2.2(a) applies.

(b) The possibility of brittle fracture shall be considered when conducting leak tests on brittle materials or at low temperature.

(c) Paragraphs 345.2.3 through 345.2.7 apply.

**A345.3 Preparation for Leak Test**

Paragraph 345.3 applies in its entirety, considering bonds in place of welds, and excluding expansion joints.

**A345.4 Hydrostatic Leak Test**

**A345.4.1 Test Fluid.** Paragraph 345.4.1 applies.

**A345.4.2 Test Pressure**

(a) *Nonmetallic Piping.* Except as provided in para. A345.4.3, the hydrostatic test pressure at any point in a nonmetallic piping system shall be not less than 1.5 times the design pressure, but shall not exceed 1.5 times the maximum rated pressure of the lowest-rated component in the system.

(b) *Thermoplastic Piping.* For piping systems in which the design temperature is above the test temperature, para. 345.4.2(b) applies, except that  $S$  and  $S_T$  shall be from Table B-1 instead of A-1.

(c) *Metallic Piping with Nonmetallic Lining.* Paragraph 345.4.2 applies.

**A345.4.3 Hydrostatic Test of Piping With Vessels as a System.** Paragraph 345.4.3 applies.

**A345.5 Pneumatic Leak Test**

**A345.5.1 Precautions.** In addition to the requirements of para. 345.5.1, a pneumatic test of nonmetallic piping is permitted only with the owner's approval,

and precautions in Appendix F, para. FA323.4 should be considered.

**A345.5.2 Other Requirements**

- (a) Paragraphs 345.5.2 through 345.5.5 apply.
- (b) PVC and CPVC piping shall not be pneumatically tested.

**A345.6 Hydrostatic-Pneumatic Leak Test**

If a combined hydrostatic-pneumatic leak test is used, the requirements of para. A345.5 shall be met, and the pressure in the liquid-filled part of the piping shall not

exceed the values calculated in accordance with para. A345.4.2 or 345.4.2, as applicable.

**A345.7 Initial Service Leak Test**

Paragraph 345.7 applies in its entirety for Category D Fluid Service only.

**A345.8 Sensitive Leak Test**

Paragraph 345.8 applies.

**A346 RECORDS**

Paragraph 346 applies in its entirety.

## Chapter VIII

# Piping for Category M Fluid Service

### M300 GENERAL STATEMENTS

(a) Chapter VIII pertains to piping designated by the owner as being in Category M Fluid Service. See also Appendix M.

(b) The organization, content, and paragraph designations of this Chapter correspond to those of the base Code (Chapters I through VI) and Chapter VII. The prefix M is used.

(c) Provisions and requirements of the base Code and Chapter VII apply only as stated in this Chapter.

(d) Consideration shall be given to the possible need for engineered safeguards (see Appendix G, para. G300.3) in addition to the safeguards already provided (paras. G300.1 and G300.2).

(e) This Chapter makes no provision for piping to be used under severe cyclic conditions. The occurrence of such conditions can ordinarily be circumvented by piping layout, component selection, and other means. If this is not feasible, the engineering design shall specify any necessary provisions in accordance with para. 300(c)(5).

(f) Chapter I applies in its entirety.

### PART 1 CONDITIONS AND CRITERIA

#### M301 DESIGN CONDITIONS

Paragraph 301 applies in its entirety, with the exceptions of paras. 301.3 and 301.5. See paras. M301.3 and M301.5.

##### M301.3 Design Temperature, Metallic Piping

Use of any temperature other than the fluid temperature as the design temperature shall be substantiated by heat transfer calculations confirmed by tests or by experimental measurements.

##### M301.5 Dynamic Effects

Paragraph 301.5 applies with the exception of paras. 301.5.1 and 301.5.4. See paras. M301.5.1 and M301.5.4.

**M301.5.1 Impact.** Design, layout, and operation of piping shall be conducted so as to minimize impact and shock loads. In the event that such loadings are unavoidable, para. 301.5.1 applies.

**M301.5.4 Vibration.** Suitable dynamic analysis, such as computer simulation, shall be made where necessary to avoid or minimize conditions which lead to

detrimental vibration, pulsation, or resonance effects in the piping.

### M302 DESIGN CRITERIA

#### M302.1 General

Paragraph M302 pertains to pressure–temperature ratings, stress criteria, design allowances, and minimum design values, together with permissible variations of these factors as applied to piping design.

Paragraph 302 applies in its entirety, with the exception of paras. 302.2 and 302.3. See paras. M302.2 and M302.3.

#### M302.2 Pressure–Temperature Design Criteria

Paragraph 302.2 applies in its entirety, with the exception of paras. 302.2.4 and 302.2.5. See paras. M302.2.4 and M302.2.5.

**M302.2.4 Allowance for Pressure and Temperature Variations, Metallic Piping.** Use of allowances in para. 302.2.4 is not permitted. Design temperature and pressure shall be based on coincident pressure–temperature conditions requiring the greatest wall thickness or the highest component rating.

**M302.2.5 Ratings at Junction of Different Services, Metallic Piping.** When two services that operate at different pressure–temperature conditions are connected, the valve segregating the services shall be rated for the more severe service condition.

#### M302.3 Allowable Stresses and Other Stress Limits for Metallic Piping

Paragraph 302.3 applies in its entirety, with the exception of para. 302.3.2. See para. M302.3.2.

**M302.3.2 Bases for Allowable Stresses.** The designer shall fully document the basis for using any stress limit not in accordance with the stress Tables in Appendix A.

#### M302.4 Allowances

Paragraph 302.4 applies in its entirety.

**PART 2  
PRESSURE DESIGN OF METALLIC PIPING  
COMPONENTS**

**M303 GENERAL**

Paragraph 303 applies in its entirety.

**M304 PRESSURE DESIGN OF METALLIC COMPONENTS**

Paragraph 304 applies in its entirety.

**PART 3  
FLUID SERVICE REQUIREMENTS FOR METALLIC  
PIPING COMPONENTS**

**M305 PIPE****M305.1 General**

Listed pipe may be used in accordance with para. M305.2. Unlisted pipe may be used only as provided in para. 302.2.3.

**M305.2 Specific Requirements for Metallic Pipe**

Pipe listed in para. 305.2.2 shall not be used. The provision for severe cyclic conditions in para. 305.2.3 does not apply [see para. M300(e)].

**M306 METALLIC FITTINGS, BENDS, MITERS, LAPS, AND BRANCH CONNECTIONS**

*General.* Fittings, bends, miters, laps, and branch connections may be used in accordance with paras. M306.1 through M306.6. Pipe and other materials used in such components shall be suitable for the manufacturing process and the fluid service.

**M306.1 Pipe Fittings**

Paragraph 306.1 applies in its entirety, with the exception of para. 306.1.3. See para. M306.1.3 below. The provision for severe cyclic conditions in para. 306.1.4 does not apply [see para. M300(e)].

**M306.1.3 Specific Fittings.** The following shall not be used:

- (a) fittings conforming to MSS SP-43 and MSS SP-119
- (b) proprietary "Type C" lap-joint stub-end butt welding fittings

**M306.2 Pipe Bends**

Paragraph 306.2 applies, except that bends in accordance with para. 306.2.2 shall not be used and para. 306.2.3 does not apply [see para. M300(e)].

**M306.3 Miter Bends**

A miter bend shall conform to para. 306.3.1 and shall not make a change in direction at a single joint (angle  $\alpha$  in Fig. 304.2.3) greater than 22.5 deg. Paragraph 306.3.3 does not apply [see para. M300(e)].

**M306.4 Fabricated or Flared Laps**

**M306.4.1 General.** The following requirements do not apply to fittings conforming to para. M306.1, nor to laps integrally forged on pipe ends. Paragraph 306.4.1 applies.

**M306.4.2 Flared Laps.** A flared lap shall meet the requirements of para. 306.4.2. In addition,

(a) pipe size shall be less than or equal to DN 100 (NPS 4), with wall thickness before flaring greater than or equal to the value of  $T$  for Schedule 10S

(b) pressure-temperature rating shall be less than or equal to that of an ASME B16.5 Class 150, Group 1.1 flange

(c) service temperature shall be  $\leq 204^{\circ}\text{C}$  ( $400^{\circ}\text{F}$ )

**M306.5 Fabricated Branch Connections**

The following requirements do not apply to fittings conforming to para. M306.1. Paragraph 306.5.1 applies, with the following exceptions:

(a) Of the methods listed in para. 304.3.1(a), the one in subpara. (3) may be used only if those in (1) and (2) are unavailable.

(b) Of the branch connections described in paras. 304.3.2(b) and (c), those having threaded outlets are permitted only in accordance with para. M314 and those having socket welding outlets are permitted only in accordance with para. M311.2.

**M306.6 Closures**

The following requirements do not apply to blind flanges or to fittings conforming to para. M306.1. Of the closures described in para. 304.4, flat closures in accordance with the BPV Code, Section VIII, Division 1, UG-34 and UW-13, and conical closures without transition knuckles [UG-32(g) and UG-33(f)], may be used only if others are not available. The requirements in M306.5 apply to openings in closures [see also para. 304.4.2(b)].

**M307 METALLIC VALVES AND SPECIALTY COMPONENTS**

The following requirements for valves shall also be met as applicable by other pressure containing piping components, such as strainers and separators. See also Appendix F, para. F307.

**M307.1 General**

Paragraph 307.1 applies, subject to the requirements in para. M307.2.

**M307.2 Specific Requirements**

(a) Valves having threaded bonnet joints (other than union joints) shall not be used.



(b) Only metallic valves conforming to the following requirements may be used:

(1) Special consideration shall be given to valve design to prevent stem leakage to the environment.

(2) Bonnet or cover plate closures shall be: flanged, secured by at least four bolts with gasketing conforming to para. 308.4; or proprietary, attached by bolts, lugs, or other substantial means, and having a gasket design that increases gasket compression as fluid pressure increases; or secured with a full penetration weld made in accordance with para. M311; or secured by a straight thread sufficient for mechanical strength, a metal-to-metal seat, and a seal weld made in accordance with para. M311, all acting in series.

(3) Body joints, other than bonnet or cover plate joints, shall conform to para. M307.2(b)(2).

### **M308 FLANGES, BLANKS, FLANGE FACINGS, AND GASKETS**

Paragraph 308.1 applies in its entirety.

#### **M308.2 Specific Requirements for Metallic Flanges**

Paragraph 308.2.4 does not apply [see para. M300(e)]. The following shall not be used:

- (a) single-welded slip-on flanges
- (b) expanded-joint flanges
- (c) slip-on flanges used as lapped flanges unless the requirements in para. 308.2.1(c) are met
- (d) threaded metallic flanges, except those employing lens rings or similar gaskets and those used in lined pipe where the liner extends over the gasket face

#### **M308.3 Flange Facings**

Paragraph 308.3 applies.

#### **M308.4 Gaskets**

Paragraph 308.4 applies.

#### **M308.5 Blanks**

All blanks shall be marked with material, rating, and size.

### **M309 BOLTING**

Paragraph 309 applies, except for para. 309.2.4 [see para. M300(e)].

## **PART 4 FLUID SERVICE REQUIREMENTS FOR METALLIC PIPING JOINTS**

### **M310 METALLIC PIPING, GENERAL**

Paragraph 310 applies in its entirety.

### **M311 WELDED JOINTS IN METALLIC PIPING**

Welded joints may be made in any metal for which it is possible to qualify welding procedures, welders, and welding operators in accordance with para. M328.

### **M311.1 General**

Paragraph 311.1 applies with the following exceptions:

- (a) Split backing rings shall not be used.
- (b) Socket welded joints greater than DN 50 (NPS 2) are not permitted.
- (c) Examination shall be in accordance with para. M341.4.

### **M311.2 Specific Requirements**

Paragraphs 311.2.3(a); 311.2.4(a), (b), and (d); 311.2.5; and 311.2.6 apply.

### **M312 FLANGED JOINTS IN METALLIC PIPING**

Paragraph 312 applies in its entirety.

### **M313 EXPANDED JOINTS IN METALLIC PIPING**

Expanded joints shall not be used.

### **M314 THREADED JOINTS IN METALLIC PIPING**

#### **M314.1 General**

Paragraphs 314.1(a), (b), and (c) apply.

#### **M314.2 Specific Requirements**

**M314.2.1 Taper-Threaded Joints.** Paragraph 314.2.1 applies except that only components suitable for Normal Fluid Service in sizes  $8 \leq DN \leq 25$  ( $\frac{1}{4} \leq NPS \leq 1$ ) are permitted (see Table 314.2.1). Sizes smaller than DN 20 (NPS  $\frac{3}{4}$ ) shall be safeguarded (see Appendix G).

**M314.2.2 Straight-Threaded Joints.** Paragraph 314.2.2 applies. In addition, components shall have adequate mechanical strength and the joint shall have a confined seating surface not subject to relative rotation as or after the joint is tightened. [See Fig. 335.3.3 sketches (b) and (c) for acceptable construction.]

### **M315 TUBING JOINTS IN METALLIC PIPING**

Paragraph 315 applies, except for para. 315.2(b).

### **M316 CAULKED JOINTS**

Caulked joints shall not be used.

### **M317 SOLDERED AND BRAZED JOINTS**

Soldered, brazed, and braze welded joints shall not be used.

### **M318 SPECIAL JOINTS IN METALLIC PIPING**

Paragraph 318 applies, with the exception that adhesive joints and bell type joints shall not be used.

**PART 5****FLEXIBILITY AND SUPPORT OF METALLIC PIPING****M319 FLEXIBILITY OF METALLIC PIPING**

Paragraph 319 applies, with the exception that the simplified rules in para. 319.4.1(c) do not apply.

**M321 PIPING SUPPORT**

Paragraph 321 applies, except that supporting elements shall be of listed material.

**PART 6  
SYSTEMS****M322 SPECIFIC PIPING SYSTEMS****M322.3 Instrument Piping**

Paragraph 322.3 applies, with the exception that, for signal lines in contact with process fluids and process temperature–pressure conditions

(a) tubing shall be not larger than 16 mm ( $\frac{5}{8}$  in.) O.D. and shall be suitable for the service

(b) an accessible block valve shall be provided to isolate the tubing from the pipeline

(c) joining methods shall conform to the requirements of paras. 315.1 and 315.2

**M322.6 Pressure Relieving Systems**

Paragraph 322.6 applies, except for para. 322.6.3. See para. M322.6.3.

**M322.6.3 Overpressure Protection.** For metallic piping, the design pressure may be exceeded by no more than 10% during operation of a pressure relieving system.

**PART 7  
METALLIC MATERIALS****M323 GENERAL REQUIREMENTS****M323.1 Materials and Specifications**

Paragraphs 323.1.1 and 323.1.2 apply. See paras. M323.1.3 and M323.1.4.

**M323.1.3 Unknown Materials.** Materials of unknown specification shall not be used.

**M323.1.4 Reclaimed Metallic Materials.** Reclaimed materials may be used when the material certification records are available for the specific materials employed, and the designer is assured that the material is sound and free from harmful defects.

**M323.2 Temperature Limitations**

Paragraph 323.2 applies with the exception that, in regard to lower temperature limits, the relaxation of minimum temperature limits stated in Note (3) of Table 323.2.2 is not permitted.

**M323.3 Impact Testing Methods and Acceptance Criteria**

Paragraph 323.3 applies in its entirety.

**M323.4 Fluid Service Requirements for Metallic Materials**

Paragraph 323.4.1 applies.

**M323.4.2 Specific Requirements.** Paragraph 323.4.2 applies, except that cast irons other than ductile iron shall not be used for pressure-containing parts, and lead and tin shall be used only as linings.

**M323.4.3 Metallic Cladding and Lining Materials.**

In addition to the requirements of para. 323.4.3, where materials covered in paras. 323.4.2(c)(2) and 323.4.3 are used as cladding or lining in which the cladding or lining also serves as a gasket or as part of the flange facing, consideration shall be given to the design of the flanged joint to prevent leakage to the environment.

**M323.5 Deterioration of Materials in Service**

Paragraph 323.5 applies in its entirety.

**M325 MATERIALS — MISCELLANEOUS****M325.1 Joining and Auxiliary Materials**

In applying para. 325, materials such as solvents, brazes, and solders shall not be used. Nonmetallic materials used as gaskets and packing materials shall be suitable for the fluid service.

**PART 8  
STANDARDS FOR PIPING COMPONENTS****M326 DIMENSIONS AND RATINGS OF COMPONENTS**

Paragraph 326.1.3 applies.

**M326.1 Dimensional Requirements**

**M326.1.1 Listed Piping Components.** Except for prohibitions and restrictions stated elsewhere in Chapter VIII, components made in accordance with standards and specifications listed in Table 326.1 may be used in Category M service.

**M326.1.2 Unlisted Piping Components.** Dimensions of unlisted components shall be governed by requirements in paras. 303 and 304.

**M326.2 Ratings of Components**

Paragraph 326.2 applies in its entirety.

**M326.3 Reference Documents**

Paragraph 326.3 applies in its entirety.

**PART 9  
FABRICATION, ASSEMBLY, AND ERECTION OF  
METALLIC PIPING**

**M327 GENERAL**

Metallic piping materials and components are prepared for assembly and erection by one or more of the fabrication processes in paras. M328, M330, M331, and M332. When any of these processes is used in assembly and erection, requirements are the same as for fabrication.

**M328 WELDING OF METALS**

Welding shall be in accordance with paras. M311.1 and 328, except see para. M328.3.

**M328.3 Welding Materials**

Paragraph 328.3 applies in its entirety, except that split backing rings shall not be used, and removable backing rings and consumable inserts may be used only where their suitability has been demonstrated by procedure qualification.

**M330 PREHEATING OF METALS**

Paragraph 330 applies in its entirety.

**M331 HEAT TREATMENT OF METALS**

Paragraph 331 applies in its entirety, with the exception that no requirements less stringent than those of Table 331.1.1 shall be specified.

**M332 BENDING AND FORMING OF METALS**

Paragraph 332 applies in its entirety, except that bending which conforms to para. 332.2.3 is not permitted.

**M335 ASSEMBLY AND ERECTION OF METALLIC PIPING****M335.1 General**

**M335.1.1 Alignment.** In addition to the requirements of para. 335.1.1, any bending or forming required for alignment and fit-up shall be heat treated if required by para. 332.4.

**M335.2 Flanged Joints**

Paragraph 335.2 applies in its entirety.

**M335.3 Threaded Joints**

Paragraphs 335.3.1 and 335.3.2 apply. See paras. M335.3.3 and M335.3.4.

**M335.3.3 Straight-Threaded Joints.** The requirements of para. 335.3.3 are subject to the limitations in para. M322.

**M335.3.4 Condition of Threads.** Taper-threaded components and threaded ends permitted under para. M314.2.1 shall be examined before assembly for cleanliness and continuity of threads and shall be rejected if not in conformance with ASME B1.20.1 or other applicable standards.

**M335.4 Tubing Joints**

**M335.4.1 Flared Tubing Joints.** The requirements of para. 335.4.1 apply; however, see para. M322 for limitations associated with specific piping systems.

**M335.4.2 Flareless and Compression Tubing Joints.** The requirements of para. 335.4.2 apply; however, see para. M322 for limitations associated with specific piping systems.

**M335.6 Special Joints**

Special joints shall be in accordance with paras. M318 and 335.6.1.

**M335.9 Cleaning of Piping**

See Appendix F, para. F335.9.

**PART 10  
INSPECTION, EXAMINATION, TESTING, AND  
RECORDS OF METALLIC PIPING**

**M340 INSPECTION**

Paragraph 340 applies in its entirety.

**M341 EXAMINATION**

Paragraphs 341.1, 341.2, 341.3, and 341.5 apply in their entirety. See para. M341.4.

**M341.4 Extent of Required Examination**

Paragraph 341.4.1 applies with the following exceptions:

*(a) Visual Examination*

(1) All fabrication shall be examined.

(2) All threaded, bolted, and other mechanical joints shall be examined.

*(b) Other Examination*

(1) The random radiography/ultrasonic examination requirements of para. 341.4.1(b)(1) apply except that at least 20% of circumferential butt and miter welds and of fabricated lap and branch connection welds comparable to those shown in Figs. 328.5.4E and 328.5.5 sketches (d) and (e) shall be examined.

(2) The in-process examination alternative permitted in para. 341.4.1(b)(1) may be specified on a weld-for-weld basis in the engineering design or by the Inspector. It shall be supplemented by appropriate nondestructive examination.

**M342 EXAMINATION PERSONNEL**

Paragraph 342 applies.

**M343 EXAMINATION PROCEDURES**

Paragraph 343 applies.

**M344 TYPES OF EXAMINATION**

Paragraph 344 applies in its entirety.

**M345 TESTING**

Paragraph 345 applies in its entirety, except that  
 (a) a sensitive leak test in accordance with para. 345.8 shall be included in the required leak test (para. 345.1) and  
 (b) the initial service leak test (para. 345.7) does not apply

**M346 RECORDS**

Paragraph 346 applies in its entirety.

**PARTS 11 THROUGH 20,  
CORRESPONDING TO CHAPTER VII**

See para. M300(b).

**MA300 GENERAL STATEMENTS**

Paragraphs MA300 through MA346 apply to nonmetallic piping and piping lined with nonmetals, based on Chapter VII. Paragraph A300(d) applies.

**PART 11  
CONDITIONS AND CRITERIA**

**MA301 DESIGN CONDITIONS**

Paragraph A301 applies in its entirety.

**MA302 DESIGN CRITERIA**

Paragraphs A302.1 and A302.4 apply. See paras. MA302.2 and MA302.3.

**MA302.2 Pressure–Temperature Design Criteria**

Paragraph A302.2 applies, with the exception of para. A302.2.4. See para. MA302.2.4.

**MA302.2.4 Allowances for Pressure and Temperature Variation.** Paragraph A302.2.4(a) applies to both nonmetallic piping and to metallic piping with nonmetallic lining.

**MA302.3 Allowable Stresses and Other Design Limits**

Paragraph A302.3 applies, with the exception of para. A302.3.2. See para. MA302.3.2.

**MA302.3.2 Bases for Allowable Stress.** The designer shall fully document the bases for using any stress or allowable pressure limit not in accordance with both para. A302.3.2 and the Tables in Appendix B.

**MA302.4 Allowances**

Paragraph 302.4 applies in its entirety.

**PART 12  
PRESSURE DESIGN OF NONMETALLIC PIPING  
COMPONENTS**

**MA303 GENERAL**

Paragraph A303 applies.

**MA304 PRESSURE DESIGN OF NONMETALLIC COMPONENTS**

Paragraph A304 applies in its entirety.

**PART 13  
FLUID SERVICE REQUIREMENTS FOR NONMETALLIC  
PIPING COMPONENTS**

**MA305 PIPE**

Paragraph A305 applies without further restrictions.

**MA306 NONMETALLIC FITTINGS, BENDS, MITERS, LAPS, AND BRANCH CONNECTIONS**

Paragraphs A306.1 and A306.2 apply without further restrictions. See para. MA306.3.

**MA306.3 Miter Bends**

Miter bends not designated as fittings conforming to para. A306.1 shall not be used.

**MA306.4 Fabricated Laps**

Fabricated laps shall not be used.

**MA306.5 Fabricated Branch Connections**

Nonmetallic fabricated branch connections shall not be used.

**MA307 VALVES AND SPECIALTY COMPONENTS**

Paragraph A307 applies, except nonmetallic valves and specialty components shall not be used.

**MA308 FLANGES, BLANKS, FLANGE FACINGS, AND GASKETS**

Paragraphs A308.1, 308.3, and A308.4 apply without further restrictions. See para. MA308.2.

**MA308.2 Nonmetallic Flanges**

Threaded nonmetallic flanges shall not be used.

**MA309 BOLTING**

Paragraph A309 applies without further restrictions.

**PART 14  
FLUID SERVICE REQUIREMENTS FOR NONMETALLIC  
PIPING JOINTS**

**MA310 GENERAL**

Paragraph 310 applies in its entirety.

**MA311 BONDED JOINTS****MA311.1 General**

Paragraph A311.1 applies in its entirety.

**MA311.2 Specific Requirements**

Hot gas welded, heat fusion, solvent cemented, and adhesive bonded joints are not permitted except in linings.

**MA312 FLANGED JOINTS**

Paragraph 312 applies in its entirety.

**MA313 EXPANDED JOINTS**

Expanded joints shall not be used.

**MA314 THREADED JOINTS****MA314.1 General**

Threaded joints shall not be used in nonmetallic piping.

**MA315 TUBING JOINTS IN NONMETALLIC PIPING**

Paragraph A315 applies in its entirety.

**MA316 CAULKED JOINTS**

Caulked joints shall not be used.

**MA318 SPECIAL JOINTS**

Paragraph A318 applies in its entirety.

**PART 15  
FLEXIBILITY AND SUPPORT OF NONMETALLIC  
PIPING**

**MA319 PIPING FLEXIBILITY**

Paragraph A319 applies in its entirety.

**MA321 PIPING SUPPORT**

Paragraph A321 applies in its entirety.

**PART 16  
NONMETALLIC AND NONMETALLIC LINED SYSTEMS  
MA322 SPECIFIC PIPING SYSTEMS**

Paragraph A322 applies in its entirety.

**PART 17  
NONMETALLIC MATERIALS  
MA323 GENERAL REQUIREMENTS**

Paragraphs A323.1 and A323.2 apply in their entirety. See para. MA323.4.

**MA323.4 Fluid Service Requirements for Nonmetallic Materials**

Paragraph A323.4.1 applies. See paras. MA323.4.2 and MA323.4.3.

**MA323.4.2 Specific Requirements.** Paragraph A323.4.2 applies, except that materials listed under paras. A323.4.2(a), (b), and (d) may be used only as linings. Thermoplastics may be used as gaskets in accordance with paras. M325.1 and MA323.4.3.

**MA323.4.3 Nonmetallic Lining Materials.** Where a material in para. A323.4.2 is used as a lining which also serves as a gasket or as part of the flange facing, consideration shall be given to design of the flanged joint to prevent leakage to the environment.

**PART 18  
STANDARDS FOR NONMETALLIC AND  
NONMETALLIC LINED PIPING COMPONENTS  
MA326 DIMENSIONS AND RATINGS OF  
COMPONENTS**

Paragraph A326 applies in its entirety. Table A326.1 applies, except for components and systems prohibited or restricted elsewhere in this Chapter.

**PART 19  
FABRICATION, ASSEMBLY, AND ERECTION OF  
NONMETALLIC AND NONMETALLIC LINED PIPING  
MA327 GENERAL**

Paragraph A327 applies.

**MA328 BONDING OF PLASTICS**

Paragraph A328 applies in its entirety.

**MA329 FABRICATION OF PIPING LINED WITH NONMETALS**

Paragraph A329 applies in its entirety.

**MA332 BENDING AND FORMING**

Paragraph A332 applies.

**MA334 JOINING NONPLASTIC PIPING**

Paragraph A334 applies in its entirety.

**MA335 ASSEMBLY AND ERECTION**

Paragraph A335 applies in its entirety.

**PART 20  
INSPECTION, EXAMINATION, TESTING, AND  
RECORDS OF NONMETALLIC AND NONMETALLIC  
LINED PIPING**

**MA340 INSPECTION**

Paragraph 340 applies in its entirety.

**MA341 EXAMINATION**

Paragraph A341 applies in its entirety.

**MA341.1 General**

Paragraphs 341.1, 341.2, A341.3, and A341.5 apply in their entirety. See para. MA341.2.

**MA341.2 Extent of Required Examination**

Paragraph A341.4.1 applies, except:

(a) *Visual Examination*

(1) All fabrication shall be visually examined.

(2) All bolted and other mechanical joints shall be examined.

**MA342 EXAMINATION PERSONNEL**

Paragraph 342 applies.

**MA343 EXAMINATION PROCEDURES**

Paragraph 343 applies.

**MA344 TYPES OF EXAMINATION**

Paragraph A344 applies in its entirety.

**MA345 TESTING**

Paragraph A345 applies in its entirety, except that

(a) a sensitive leak test in accordance with para. 345.8 shall be included in the required leak test (para. A345.1)

(b) the initial service leak test (para. A345.7) does not apply

**MA346 RECORDS**

Paragraph 346 applies in its entirety.

# Chapter IX

## High Pressure Piping

### K300 GENERAL STATEMENTS

(a) *Applicability.* This Chapter pertains to piping designated by the owner as being in High Pressure Fluid Service. Its requirements are to be applied in full to piping so designated. High pressure is considered herein to be pressure in excess of that allowed by the ASME B16.5 Class 2500 rating for the specified design temperature and material group. However, there are no specified pressure limitations for the application of these rules.

(b) *Responsibilities.* In addition to the responsibilities stated in para. 300(b),

(1) for each piping system designated as being in High Pressure Fluid Service, the owner shall provide all information necessary to perform the analyses and testing required by this Chapter

(2) the designer shall make a written report to the owner summarizing the design calculations and certifying that the design has been performed in accordance with this Chapter

(c) The identification, intent, and Code requirements in paras. 300(a), (c), (d), (e), and (f) apply.

(d) The organization, content, and, wherever possible, paragraph designations of this Chapter correspond to those of the first six Chapters (the base Code). The prefix K is used.

(e) Provisions and requirements of the base Code apply only as stated in this Chapter.

#### K300.1 Scope

**K300.1.1 Content and Coverage.** Paragraph 300.1.1 applies with the exceptions stated in paras. K300.1.3 and K300.1.4.

**K300.1.2 Packaged Equipment Piping.** Interconnecting piping as described in para. 300.1.2 shall conform to the requirements of this Chapter.

**K300.1.3 Exclusions.** In addition to the exclusions stated in para. 300.1.3, this Chapter excludes nonmetallic and nonmetallic-lined piping.

**K300.1.4 Category M Fluid Service.** This Chapter makes no provision for piping in Category M Fluid Service. If such piping is required by the owner, the engineering design shall be developed as provided in para. 300(c)(5).

#### K300.2 Definitions

Paragraph 300.2 applies except for terms relating only to nonmetals and severe cyclic conditions.

The term allowable stress is used in lieu of basic allowable stress.

The term safeguarding and other terms characterizing hazardous fluid services are not used in this Chapter but should be taken into account in design.

#### K300.3 Nomenclature

Paragraph 300.3 applies.

#### K300.4 Status of Appendices

Paragraph 300.4 and Table 300.4 apply, except for Appendices A, B, H, L, V, and X.

### PART 1 CONDITIONS AND CRITERIA

#### K301 DESIGN CONDITIONS

Paragraph 301 applies with the exceptions of paras. 301.1, 301.2, 301.3, and 301.5.

##### K301.1 General

Paragraph 301.1 applies but refer to para. K301 instead of para. 301.

##### K301.2 Design Pressure

**K301.2.1 General.** Paragraph 301.2.1(a) applies except that reference to para. 302.2.4 is not applicable. Paragraphs 301.2.1(b) and (c) apply, but refer to para. K304 instead of para. 304.

**K301.2.2 Required Pressure Containment or Relief.** Paragraphs 301.2.2(a) and (b) apply, but refer to para. K322.6.3 instead of para. 322.6.3. Paragraph 301.2.2(c) is not applicable.

##### K301.3 Design Temperature

Paragraph 301.3 applies with the exceptions of paras. 301.3.1 and 301.3.2 and the following exceptions in the text:

(a) Refer to para. K301.2 instead of para. 301.2.

(b) Refer to para. K301.3.2 instead of para. 301.3.2.

**K301.3.1 Design Minimum Temperature.** Paragraph 301.3.1 applies, but refer to para. K323.2.2 instead of para. 323.2.2.

**K301.3.2 Uninsulated Components.** The fluid temperature shall be used as the component temperature.

### K301.5 Dynamic Effects

Paragraph 301.5 applies with the exception of para. 301.5.4.

**K301.5.4 Vibration.** Suitable dynamic analysis shall be made where necessary, to avoid or minimize conditions which lead to detrimental vibration, pulsation, or resonance effects in the piping.

## K302 DESIGN CRITERIA

### K302.1 General

In para. K302, pressure–temperature ratings, stress criteria, design allowances, and minimum design values are stated, and permissible variations of these factors as applied to design of high pressure piping systems are formulated.

The designer shall be satisfied as to the adequacy of the design, and of materials and their manufacture, considering at least the following:

- (a) tensile, compressive, flexural, and shear strength at design temperature
- (b) fatigue strength
- (c) design stress and its basis
- (d) ductility and toughness
- (e) possible deterioration of mechanical properties in service
- (f) thermal properties
- (g) temperature limits
- (h) resistance to corrosion and erosion
- (i) fabrication methods
- (j) examination and testing methods
- (k) hydrostatic test conditions
- (l) bore imperfections

### K302.2 Pressure–Temperature Design Criteria

**K302.2.1 Listed Components Having Established Ratings.** Pressure-temperature ratings for certain piping components have been established and are contained in some of the standards in Table K326.1. Unless limited elsewhere in this Chapter, those ratings are acceptable for design pressures and temperatures under this Chapter. With the owner’s approval, the rules and limits of this Chapter may be used to extend the pressure–temperature ratings of a component beyond the ratings of the listed standard, but not beyond the limits stated in para. K323.2.

#### K302.2.2 Listed Components Not Having Specific Ratings

(a) Piping components for which design stresses have been developed in accordance with para. K302.3, but which do not have specific pressure–temperature ratings, shall be rated by rules for pressure design in

para. K304, within the range of temperatures for which stresses are shown in Table K-1, modified as applicable by other rules of this Chapter.

(b) Piping components which do not have allowable stresses or pressure–temperature ratings shall be qualified for pressure design as required by para. K304.7.2.

### K302.2.3 Unlisted Components

(a) Piping components not listed in Table K326.1 or Table K-1, but which conform to a published specification or standard, may be used subject to the following requirements:

(1) The designer shall determine that composition, mechanical properties, method of manufacture, and quality control are comparable to the corresponding characteristics of listed components.

(2) Pressure design shall be verified in accordance with para. K304, including the fatigue analysis required by para. K304.8.

(b) Other unlisted components shall be qualified for pressure design as required by para. K304.7.2.

**K302.2.4 Allowance for Pressure and Temperature Variations.** Variations in pressure above the design pressure at the coincident temperature, except for accumulation during pressure relieving (see para. K322.6.3), are not permitted for any piping system.

**K302.2.5 Ratings at Junction of Different Services.** Paragraph 302.2.5 applies.

### K302.3 Allowable Stresses and Other Design Limits

**K302.3.1 General.** The allowable stresses defined below shall be used in design calculations unless modified by other provisions of this Chapter.

(a) *Tension.* Allowable stresses in tension for use in design in accordance with this Chapter are listed in Table K-1, except that maximum allowable stress values and design stress intensity values for bolting, respectively, are listed in the BPV Code, Section II, Part D, Tables 3 and 4.

The tabulated stress values in Table K-1 are grouped by materials and product form and are for stated temperatures up to the limit provided for the materials in para. K323.2.1. Straight line interpolation between temperatures to determine the allowable stress for a specific design temperature is permissible. Extrapolation is not permitted.

(b) *Shear and Bearing.* Allowable stress in shear shall be 0.80 times the allowable stress in tension tabulated in Table K-1. Allowable stress in bearing shall be 1.60 times the allowable stress in tension.

(c) *Compression.* Allowable stress in compression shall be no greater than the allowable stress in tension tabulated in Table K-1. Consideration shall be given to structural stability.

(d) *Fatigue.* Allowable values of stress amplitude, which are provided as a function of design life in the



BPV Code, Section VIII, Division 2, Part 3, para. 3.15; or Division 3, Article KD-3; as applicable, may be used in fatigue analysis in accordance with para. K304.8.

- (12) **K302.3.2 Bases for Allowable Stresses.** The bases for establishing allowable stress values for materials in this Chapter are as follows:

(a) *Bolting Materials.* The criteria of Section II, Part D, Appendix 2, para. 2-120 or 2-130, or Section VIII, Division 3, Article KD-6, para. KD-620, as applicable, apply.

(b) *Other Materials.* For materials other than bolting materials, the following rules apply:

(1) Except as provided in (b)(2) below, allowable stress values at design temperature for materials shall not exceed the lower of two-thirds of  $S_Y$  and two-thirds of  $S_{yt}$ .  $S_{yt}$  is determined in accordance with eq. (31)

$$S_{yt} = S_Y R_Y \quad (31)$$

where

$R_Y$  = ratio of the average temperature dependent trend curve value of yield strength to the room temperature yield strength

$S_Y$  = specified minimum yield strength at room temperature

$S_{yt}$  = yield strength at temperature

(2) For solution heat treated austenitic stainless steels and certain nickel alloys with similar stress-strain behavior, allowable stress values shall not exceed the lower of two-thirds of  $S_Y$  and 90% of  $S_{yt}$ .

Application of stress values so determined is not recommended for flanged joints and other components in which slight deformation can cause leakage or malfunction. [These values are shown in *italics* or **boldface** in Table K-1, as explained in Note (5) to Appendix K Tables.] Instead, either 75% of the stress value in Table K-1 or two-thirds of the yield strength at temperature listed in Section II, Part D, Table Y-1, as applicable, should be used.

(c) *Unlisted Materials.* For a material that conforms to para. K323.1.2, allowable stress values at design temperature shall not exceed the lower of: two-thirds of  $S_Y$  and two-thirds of  $S_{yt}$ .

(1) Except as provided in (c)(2) below,  $S_{yt}$  shall be determined in accordance with eq. (31).

(2) If the yield strength at temperature for an unlisted material is contained in Section II, Part D, Table Y-1, that yield strength at temperature value may be used directly in the determination of allowable stress.

(d) *Cyclic Stresses.* Allowable values of alternating stress or equipment alternating stress, as applicable, shall be in accordance with Section VIII, Division 2, Part 3, para. 3.15 and Part 5; or Division 3, Article KD-3; respectively.

**K302.3.3 Casting Quality Factor<sup>1</sup>** The casting quality factor,  $E_c$ , shall be 1.00 by conformance to all of the following supplementary requirements: (12)

(a) All surfaces shall have a roughness average,  $R_a$ , not greater than  $6.3 \mu\text{m}$   $R_a$  (250  $\mu\text{in.}$   $R_a$ ); see ASME B46.1 for a definition of  $R_a$ .

(b) All surfaces shall be examined by either the liquid penetrant method in accordance with ASTM E165, or the magnetic particle method in accordance with ASTM E709. Acceptability of imperfections and weld repairs shall be judged in accordance with MSS SP-53, using ASTM E125 as reference.

(c) Each casting shall be fully examined either ultrasonically in accordance with ASTM E114, or radiographically in accordance with ASTM E94. Cracks and hot tears (Category D and E discontinuities in accordance with the standards listed in Table K302.3.3D) and imperfections whose depth exceeds 3% of nominal wall thickness are not permitted. Acceptable severity levels for radiographic examination of castings shall be in accordance with Table K302.3.3D.

**K302.3.4 Weld Joint Quality Factor.** Piping components containing welds shall have a weld joint quality factor  $E_j = 1.00$  (see Table 302.3.4), except that the acceptance criteria for these welds shall be in accordance with para. K341.3.2. Spiral (helical seam) welds are not permitted. (12)

### K302.3.5 Limits of Calculated Stresses Due to Sustained Loads and Displacement Strains

(a) *Internal Pressure Stresses.* Stresses due to internal pressure shall be considered safe when the wall thickness of the piping component, and its means of stiffening, meet the requirements of para. K304.

(b) *External Pressure Stresses.* Stresses due to external pressure shall be considered safe when the wall thickness of the piping component, and its means of stiffening, meet the requirements of para. K304.

(c) *Longitudinal Stresses,  $S_L$ .* The sum of the longitudinal stresses  $S_L$  in any component in a piping system due to sustained loads, such as pressure and weight, shall not exceed  $S_h$  in (d) below. The thickness of pipe used in calculating  $S_L$  shall be the nominal thickness minus mechanical, corrosion, and erosion allowance,  $c$ .

(d) *Allowable Displacement Stress Range,  $S_A$ .* The computed displacement stress range,  $S_E$ , in a piping system

<sup>1</sup> See Notes to Tables 302.3.3C and 302.3.3D for titles of standards referenced herein.

**Table K302.3.3D Acceptable Severity Levels for Steel Castings**

Thickness Examined, mm (in.)	Applicable Standards	Acceptable Severity Level	Acceptable Discontinuity Categories
$\bar{T} \leq 51$ (2)	ASTM E446	1	A, B, C
$51 < \bar{T} \leq 114$ (4.5)	ASTM E186	1	A, B, C
$114 < \bar{T} \leq 305$ (12)	ASTM E280	1	A, B, C

(see para. 319.4.4) shall not exceed the allowable displacement stress range,  $S_A$  (see para. 319.2.3), calculated by

$$S_A = 1.25S_c + 0.25S_h \quad (32)$$

where

$S_c$  = allowable stress from Table K-1 at minimum metal temperature expected during the displacement cycle under analysis

$S_h$  = allowable stress from Table K-1 at maximum metal temperature expected during the displacement cycle under analysis

### K302.3.6 Limits of Calculated Stresses Due to Occasional Loads

(a) *Operation.* The sum of the longitudinal stresses,  $S_L$ , due to sustained loads, such as pressure and weight, and of the stresses produced by occasional loads, such as wind or earthquake, may be as much as 1.2 times the allowable stress given in Table K-1. Where the allowable stress value in Table K-1 exceeds two-thirds of  $S_{yt}$ ,  $S_L$  shall not exceed 90% of  $S_{yt}$  listed in the BPV Code, Section II, Part D, Table Y-1. Wind and earthquake forces need not be considered as acting concurrently.

(b) *Test.* Stresses due to test conditions are not subject to the limitations in para. K302.3. It is not necessary to consider other occasional loads, such as wind and earthquake, as occurring concurrently with test loads.

### K302.4 Allowances

In determining the minimum required thickness of a piping component, allowances shall be included for corrosion, erosion, and thread or groove depth. See the definition of  $c$  in para. K304.1.1(b).

### (12) K302.5 Mechanical Strength

Paragraph 302.5 applies. In addition, a fatigue analysis in accordance with para. K304.8 shall be performed for any means used to increase the strength of a piping component.

## PART 2

### PRESSURE DESIGN OF PIPING COMPONENTS

#### K303 GENERAL

Components manufactured in accordance with standards listed in Table K326.1 shall be considered suitable

for use at pressure-temperature ratings in accordance with para. K302.2.

### K304 PRESSURE DESIGN OF HIGH PRESSURE COMPONENTS

#### K304.1 Straight Pipe

##### K304.1.1 General

(a) The required wall thickness of straight sections of pipe shall be determined in accordance with eq. (33).

$$t_m = t + c \quad (33)$$

The minimum wall thickness,  $T$ , for the pipe selected, considering manufacturer's minus tolerance, shall be not less than  $t_m$ .

(b) The following nomenclature is used in the equation for pressure design of straight pipe:

$$c = c_i + c_o$$

= the sum of mechanical allowances<sup>2</sup> (thread or groove depth) plus corrosion and erosion allowances (where  $c_i$  = the sum of *internal* allowances and  $c_o$  = the sum of *external* allowances). For threaded components, the nominal thread depth (dimension  $h$  of ASME B1.20.1 or equivalent) shall apply, except that for straight threaded connections, the external thread groove depth need not be considered provided:

(a) it does not exceed 20% of the wall thickness;

(b) the ratio of outside to inside diameter,  $D/d$ , is greater than 1.1;

(c) the internally threaded attachment provides adequate reinforcement; and

(d) the thread plus the undercut area, if any, does not extend beyond the reinforcement for a distance more than the nominal wall thickness of the pipe.

$t$  = pressure design wall thickness, as calculated in para. K304.1.2 for internal pressure, or in accordance with the procedure listed in para. K304.1.3 for external pressure

<sup>2</sup> For machined surfaces or grooves where the tolerance is not specified, the tolerance shall be assumed to be 0.5 mm (0.02 in.) in addition to the specified depth of the cut.

$t_m$  = minimum required wall thickness, including mechanical, corrosion, and erosion allowances

Adequate reinforcement by the attachment is defined as that necessary to ensure that the static burst pressure of the connection will equal or exceed that of the unthreaded portion of the pipe. The adequacy of the reinforcement shall be substantiated as required by para. K304.7.2.

### K304.1.2 Straight Pipe Under Internal Pressure

(a) Except as provided in (b) below for solution heat treated austenitic stainless steels and certain nickel alloys with similar stress-strain behavior, the internal pressure design wall thickness,  $t$ , shall be not less than that calculated in accordance with eq. (34a) for pipe with a specified outside diameter and minimum wall thickness, or eq. (34b) for pipe with a specified inside diameter and minimum wall thickness.

$$t = \frac{D - 2c_o}{2} \left[ 1 - \exp\left(\frac{-P}{S}\right) \right] \quad (34a)^{3, 4, 5}$$

or

$$t = \frac{d + 2c_i}{2} \left[ \exp\left(\frac{P}{S}\right) - 1 \right] \quad (34b)^{3, 4, 5}$$

Alternatively, the internal design gage pressure,  $P$ , may be calculated by eq. (35a) or (35b).

$$P = S \times \ln \left[ \frac{D - 2c_o}{D - 2(T - c_i)} \right] \quad (35a)^{4, 5}$$

or

$$P = S \times \ln \left[ \frac{d + 2(T - c_o)}{d + 2c_i} \right] \quad (35b)^{4, 5}$$

where

$D$  = outside diameter of pipe. For design calculations in accordance with this Chapter, the outside diameter of the pipe is the maximum value allowable under the specifications.

$d$  = inside diameter of pipe. For design calculations in accordance with this Chapter, the inside diameter of the pipe is the maximum value allowable under the specifications.

<sup>3</sup> An exponential [e.g., the term  $\exp(-P/S)$ ] represents the base of natural logarithms  $e$  raised to the stated power (i.e.,  $-P/S$ ).

<sup>4</sup> The intent of this equation is to provide a factor of not less than 1.732 (or  $\sqrt{3}$ ) on the pressure required, according to the von Mises theory, to initiate yielding on the outside surface of a cylinder made from an elastic-perfectly plastic material. For solution heat treated austenitic stainless steels and certain nickel alloys with similar stress-strain behavior, this factor is as low as approximately 1.5 at elevated temperatures.

<sup>5</sup> Any mechanical, corrosion, or erosion allowance,  $c$ , not specified as internal,  $c_i$ , or external,  $c_o$ , shall be assumed to be internal, i.e.,  $c = c_i$  and  $c_o = 0$ .

$P$  = internal design gage pressure

$S$  = allowable stress from Table K-1

$T$  = pipe wall thickness (measured or minimum in accordance with the purchase specification)

(b) At design temperatures where allowable stress,  $S$ , values in Table K-1 are in **boldface** (solution heat treated austenitic stainless steels and certain nickel alloys with similar stress-strain behavior only), the internal pressure design wall thickness,  $t$ , shall be not less than that calculated in accordance with eq. (34c) for pipe with a specified outside diameter and minimum wall thickness, or eq. (34d) for pipe with a specified inside diameter and minimum wall thickness.

$$t = \frac{D - 2c_o}{2} \left[ 1 - \exp\left(\frac{-1.155P}{S}\right) \right] \quad (34c)^{4, 5}$$

or

$$t = \frac{d + 2c_i}{2} \left[ \exp\left(\frac{1.155P}{S}\right) - 1 \right] \quad (34d)^{4, 5}$$

Alternatively, the internal design gage pressure,  $P$ , may be calculated by eq. (35c) or (35d).

$$P = \frac{S}{1.155} \ln \left[ \frac{D - 2c_o}{D - 2(T - c_i)} \right] \quad (35c)^{4, 5}$$

or

$$P = \frac{S}{1.155} \ln \left[ \frac{d + 2(T - c_o)}{d + 2c_i} \right] \quad (35d)^{4, 5}$$

### K304.1.3 Straight Pipe Under External Pressure.

The pressure design thickness for straight pipe under external pressure shall be determined in accordance with para. K304.1.2 for pipe where  $D/t < 3.33$ , if at least one end of the pipe is exposed to full external pressure, producing a compressive axial stress. For  $D/t \geq 3.33$ , and for  $D/t < 3.33$  where external pressure is not applied to at least one end of the pipe, the pressure design wall thickness shall be determined in accordance with para. 304.1.3 except that the stress values shall be taken from Table K-1.

## K304.2 Curved and Mitered Segments of Pipe

**K304.2.1 Pipe Bends.** The minimum required wall thickness  $t_m$  of a bend, after bending, may be determined as for straight pipe in accordance with para. K304.1, provided that the bend radius of the pipe centerline is equal to or greater than ten times the nominal pipe outside diameter and the tolerances and strain limits of para. K332 are met. Otherwise the design shall be qualified as required by para. K304.7.2.

**K304.2.2 Elbows.** Manufactured elbows not in accordance with para. K303 and pipe bends not in accordance with para. K304.2.1 shall be qualified as required by para. K304.7.2.

**K304.2.3 Miter Bends.** Miter bends are not permitted.

**K304.2.4 Curved Segments of Pipe Under External Pressure.** The wall thickness of curved segments of pipe subjected to external pressure may be determined as specified for straight pipe in para. K304.1.3 provided the design length  $L$  is the running centerline length between any two sections which are stiffened in accordance with para. 304.1.3.

### K304.3 Branch Connections

**K304.3.1 General.** Acceptable branch connections include: a fitting in accordance with para. K303; an extruded outlet in accordance with para. 304.3.4; or a branch connection fitting (see para. 300.2) similar to that shown in Fig. K328.5.4.

#### K304.3.2 Strength of Branch Connections

(a) The opening made for a branch connection reduces both static and fatigue strength of the run pipe. There shall be sufficient material in the branch connection to contain pressure and meet reinforcement requirements.

(b) Static pressure design of a branch connection not in accordance with para. K303 shall conform to para. 304.3.4 for an extruded outlet or shall be qualified as required by para. K304.7.2.

**K304.3.3 Reinforcement of Welded Branch Connections.** Branch connections made as provided in para. 304.3.3 are not permitted.

### K304.4 Closures

(a) Closures not in accordance with para. K303 or (b) below shall be qualified as required by para. K304.7.2.

(b) Closures may be designed in accordance with the methods, allowable stresses, and temperature limits of the BPV Code, Section VIII, Division 2 or Division 3, and Section II, Part D.

### K304.5 Pressure Design of Flanges and Blanks

#### K304.5.1 Flanges — General

(a) Flanges not in accordance with para. K303 or (b) below shall be qualified as required by para. K304.7.2.

(b) A flange may be designed in accordance with the methods, allowable stresses, and temperature limits of Section VIII, Division 2, Part 4, para. 4.16, or Part 5, or Division 3, Article KD-6, and Section II, Part D.

#### K304.5.2 Blind Flanges

(a) Blind flanges not in accordance with para. K303 or (b) or (c) below shall be qualified as required by para. K304.7.2.

(b) A blind flange may be designed in accordance with eq. (36). The thickness of the flange selected shall be not less than  $t_m$  (see para. K304.1.1 for nomenclature), considering manufacturing tolerance:

$$t_m = t + c \quad (36)$$

The methods, allowable stresses, and temperature limits of Section VIII, Division 2, Part 4, para. 4.6 may be used, with the following changes in nomenclature, to calculate  $t_m$ :

$c$  = sum of mechanical allowances, defined in para. K304.1.1

$t$  = pressure design thickness as calculated for the given style of blind flange using the appropriate equation of Part 4, para. 4.6

(c) A blind flange may be designed in accordance with the rules, allowable stresses, and temperature limits of Section VIII, Division 3, Article KD-6 and Section II, Part D.

**K304.5.3 Blanks.** Design of blanks shall be in accordance with para. 304.5.3(b), except that  $E$  shall be 1.00 and the definitions of  $S$  and  $c$  shall be in accordance with para. K304.1.1.

### K304.6 Reducers

Reducers not in accordance with para. K303 shall be qualified as required by para. K304.7.2.

### K304.7 Pressure Design of Other Components

**K304.7.1 Listed Components.** Other pressure containing components manufactured in accordance with standards in Table K326.1 may be utilized in accordance with para. K303.

**K304.7.2 Unlisted Components and Elements.** Static pressure design of unlisted components to which the rules in paras. K304.1 through K304.6 do not apply shall be based on calculations consistent with the design philosophy of this Chapter. These calculations shall be substantiated by one or more of the means stated in (a), (b), and (c) below, considering applicable ambient and dynamic effects in paras. 301.4 through 301.11:

(a) extensive, successful service experience under comparable design conditions with similarly proportioned components made of the same or like material;

(b) performance testing sufficient to substantiate both the static pressure design and fatigue life at the intended operating conditions. Static pressure design may be substantiated by demonstrating that failure or excessive plastic deformation does not occur at a pressure equivalent to two times the internal design pressure,  $P$ . The test pressure shall be two times the design pressure multiplied by the ratio of allowable stress at test temperature to the allowable stress at design temperature, and by the ratio of actual yield strength to the specified minimum yield strength at room temperature from Table K-1;

(c) detailed stress analysis (e.g., finite element method) with results evaluated as described in Section VIII, Division 3, Article KD-2, except that for linear elastic analyses

(1)  $S_y/1.5$  in Division 3 shall be replaced by  $S$  from Table K-1, and

(2) the Division 3 stress intensity limits due to sustained loads may be increased by the same factor applied in para. K302.3.6(a) when wind or earthquake loads are included. However, this limit shall not exceed 90% of  $S_{yt}$  listed in the BPV Code, Section II, Part D, Table Y-1;

(d) for (a), (b), and (c) above, interpolations supported by analysis are permitted between sizes, wall thicknesses, and pressure classes, as well as analogies among related materials with supporting material property data. Extrapolation is not permitted.

#### **K304.7.3 Components With Nonmetallic Parts.**

Except for gaskets and packing, nonmetallic parts are not permitted.

**K304.7.4 Bellows Type Expansion Joints.** Bellows type expansion joints are not permitted.

### **K304.8 Fatigue Analysis**

**K304.8.1 General.** A fatigue analysis shall be performed on each piping system, including all components<sup>6</sup> and joints therein, and considering the stresses resulting from attachments, to determine its suitability for the cyclic operating conditions<sup>7</sup> specified in the engineering design. Except as permitted in (a) and (b) below, or in paras. K304.8.4 and K304.8.5, this analysis shall be in accordance with the BPV Code, Section VIII, Division 2 or Division 3.<sup>8</sup> The cyclic conditions shall include pressure variations as well as thermal variations or displacement stresses. The requirements of para. K304.8 are in addition to the requirements for a flexibility analysis stated in para. K319. No formal fatigue analysis is required in systems that

(a) are duplicates of successfully operating installations or replacements without significant change of systems with a satisfactory service record or

(b) can readily be judged adequate by comparison with previously analyzed systems

#### **K304.8.2 Amplitude of Alternating Stress**

(a) *Fatigue Analysis Based Upon Section VIII, Division 2.* The value of the alternating stress amplitude for comparison with design fatigue curves shall be determined in accordance with Part 5. The allowable amplitude of alternating stress shall be determined from the applicable design fatigue curve in Part 3, para. 3.15.

(b) *Fatigue Analysis Based Upon Section VIII, Division 3*

(1) The values of the alternating stress intensity, the associated mean stress, and the equivalent alternating

stress intensity shall be determined in accordance with Articles KD-2 and KD-3. The allowable amplitude of the equivalent alternating stress shall be determined from the applicable design fatigue curve in Article KD-3.

(2) If it can be shown that the piping component will fail in a leak-before-burst mode, the number of design cycles (design fatigue life) may be calculated in accordance with either Article KD-3 or Article KD-4. If a leak-before-burst mode of failure cannot be shown, the fracture mechanics evaluation outlined in Article KD-4 shall be used to determine the number of design cycles of the component.

(c) *Additional Considerations.* The designer is cautioned that the considerations listed in para. K302.1 may reduce the fatigue life of the component below the value predicted by para. (a) or (b) above.

#### **K304.8.3 Pressure Stress Evaluation for Fatigue Analysis**

(a) For fatigue analysis of straight pipe, eq. (37) may be used to calculate the stress intensity<sup>9</sup> at the inside surface due only to internal pressure.

$$S = \frac{PD^2}{2(T - c)[D - (T - c)]} \quad (37)$$

(b) For fatigue analysis of curved pipe, eq. (37) may be used, with the dimensions of the straight pipe from which it was formed, to calculate the maximum stress intensity at the inside surface due only to internal pressure, provided that the centerline bend radius is not less than ten times the nominal outside diameter of the pipe, and that the tolerance and strain limits of para. K332 are met. Bends of smaller radius shall be qualified as required by para. K304.7.2.

(c) If the value of  $S$  calculated by eq. (37) exceeds three times the allowable stress from Table K-1 at the average temperature during the loading cycle, an inelastic analysis is required.

**K304.8.4 Fatigue Evaluation by Test.** With the owner's approval, the design fatigue life of a component may be established by destructive testing in accordance with para. K304.7.2 in lieu of the above analysis requirements.

**K304.8.5 Extended Fatigue Life.** The design fatigue life of piping components may be extended beyond that determined by Section VIII, Division 2, Part 3, para. 3.15 and Part 5; or Division 3, Article KD-3; as applicable, by the use of one of the methods listed below, provided that the component is qualified in accordance with para. K304.7.2:

(a) surface treatments, such as improved surface finish

(b) prestressing methods, such as autofrettage, shot peening, or shrink fit

<sup>6</sup> Bore imperfections may reduce fatigue life.

<sup>7</sup> If the range of temperature change varies, equivalent full temperature cycles  $N$  may be computed as provided in footnote 6 to para. 302.3.5.

<sup>8</sup> Fatigue analysis in accordance with Section VIII, Division 2 or Division 3, requires that stress concentration factors be used in computing the cyclic stresses.

<sup>9</sup> The term *stress intensity* is defined in Section VIII, Division 3.

**Table K305.1.2 Required Ultrasonic or Eddy Current Examination of Pipe and Tubing for Longitudinal Defects**

Diameter, mm (in.)	Examination Required	Paragraph Reference
$d < 3.2$ ( $\frac{1}{8}$ ) or $D < 6.4$ ( $\frac{1}{4}$ )	None	...
$3.2$ ( $\frac{1}{8}$ ) $\leq d \leq 17.5$ ( $\frac{11}{16}$ ) and $6.4$ ( $\frac{1}{4}$ ) $\leq D \leq 25.4$ (1)	Eddy current (ET) [Note (1)] or ultrasonic (UT)	K344.8 or K344.6
$d > 17.5$ ( $\frac{11}{16}$ ) or $D > 25.4$ (1)	Ultrasonic (UT)	K344.6

## NOTE:

(1) This examination is limited to cold drawn austenitic stainless steel pipe and tubing.

The designer is cautioned that the benefits of prestress may be reduced due to thermal, strain softening, or other effects.

### PART 3 FLUID SERVICE REQUIREMENTS FOR PIPING COMPONENTS

#### K305 PIPE

Pipe includes components designated as “tube” or “tubing” in the material specification, when intended for pressure service.

##### K305.1 Requirements

- (12) **K305.1.1 General.** Pipe and tubing shall be either seamless or longitudinally welded with straight seam and a joint quality factor  $E_j = 1.00$ , examined in accordance with Note (2) of Table K341.3.2. Spiral (helical seam) welds are not permitted.

**K305.1.2 Additional Examination.** Pipe and tubing shall have passed a 100% examination for longitudinal defects in accordance with Table K305.1.2. This examination is in addition to acceptance tests required by the material specification.

**K305.1.3 Heat Treatment.** Heat treatment, if required, shall be in accordance with para. K331.

**K305.1.4 Unlisted Pipe and Tubing.** Unlisted pipe and tubing may be used only in accordance with para. K302.2.3.

#### K306 FITTINGS, BENDS, AND BRANCH CONNECTIONS

Pipe and other materials used in fittings, bends, and branch connections shall be suitable for the manufacturing or fabrication process and otherwise suitable for the service.

#### K306.1 Pipe Fittings

**K306.1.1 General.** All castings shall have a casting quality factor  $E_c = 1.00$ , with examination and acceptance criteria in accordance with para. K302.3.3. All welds shall have a weld quality factor  $E_j = 1.00$ , with examination and acceptance criteria in accordance with paras. K341 through K344. Spiral (helical seam) welds are not permitted. Listed fittings may be used in accordance with para. K303. Unlisted fittings may be used only in accordance with para. K302.2.3. (12)

##### K306.1.2 Specific Fittings

- (a) Socket welding fittings are not permitted.  
 (b) Threaded fittings are permitted only in accordance with para. K314.  
 (c) Branch connection fittings (see para. 300.2) whose design has been performance tested successfully as required by para. K304.7.2(b) may be used within their established ratings.

#### K306.2 Pipe Bends

**K306.2.1 General.** A bend made in accordance with para. K332.2 and verified for pressure design in accordance with para. K304.2.1 shall be suitable for the same service as the pipe from which it is made.

**K306.2.2 Corrugated and Other Bends.** Bends of other design (such as creased or corrugated) are not permitted.

##### K306.3 Miter Bends

Miter bends are not permitted.

##### K306.4 Fabricated or Flared Laps

Only forged laps are permitted.

##### K306.5 Fabricated Branch Connections

Fabricated branch connections constructed by welding shall be fabricated in accordance with para. K328.5.4 and examined in accordance with para. K341.4.

#### K307 VALVES AND SPECIALTY COMPONENTS

The following requirements for valves shall also be met, as applicable, by other pressure containing piping components, such as traps, strainers, and separators.

##### K307.1 General

Pressure design of unlisted valves shall be qualified as required by para. K304.7.2.

#### K308 FLANGES, BLANKS, FLANGE FACINGS, AND GASKETS

##### K308.1 General

Pressure design of unlisted flanges shall be verified in accordance with para. K304.5.1 or qualified as required by para. K304.7.2.

**K308.2 Specific Flanges**

**K308.2.1 Threaded Flanges.** Threaded flanges may be used only within the limitations on threaded joints in para. K314.

**K308.2.2 Other Flange Types.** Slip-on, socket welding, and expanded joint flanges, and flanges for flared laps, are not permitted.

**K308.3 Flange Facings**

The flange facing shall be suitable for the service and for the gasket and bolting employed.

**K308.4 Gaskets**

Gaskets shall be selected so that the required seating load is compatible with the flange rating and facing, the strength of the flange, and its bolting. Materials shall be suitable for the service conditions. Mode of gasket failure shall be considered in gasket selection and joint design.

**K308.5 Blanks**

Blanks shall have a marking identifying material, pressure-temperature rating, and size, which is visible after installation.

**K309 BOLTING**

Bolting, including bolts, bolt studs, studs, cap screws, nuts, and washers, shall meet the requirements of the BPV Code, Section VIII, Division 2, Part 3, para. 3.7; Part 4, para. 4.16; and Part 5, para. 5.7. See also Appendix F, para. F309, of this Code.

**PART 4****FLUID SERVICE REQUIREMENTS FOR PIPING JOINTS****K310 GENERAL**

Joints shall be suitable for the fluid handled, and for the pressure-temperature and other mechanical loadings expected in service.

Factors such as assembly and disassembly (if applicable), cyclic loading, vibration, shock, bending, and thermal expansion and contraction of joints shall be considered in the engineering design.

**K311 WELDED JOINTS****K311.1 General**

Welds shall conform to the following:

- (a) Welding shall be in accordance with para. K328.
- (b) Preheating and heat treatment shall be in accordance with paras. K330 and K331, respectively.
- (c) Examination shall be in accordance with para. K341.4, with acceptance criteria as shown in Table K341.3.2.

**K311.2 Specific Requirements**

**K311.2.1 Backing Rings and Consumable Inserts.** Backing rings shall not be used. Consumable inserts shall not be used in butt welded joints except when specified by the engineering design.

**K311.2.2 Fillet Welds.** Fillet welds may be used only for structural attachments in accordance with the requirements of paras. K321 and K328.5.2.

**K311.2.3 Other Weld Types.** Socket welds and seal welds are not permitted.

**K312 FLANGED JOINTS**

Flanged joints shall be selected for leak tightness, considering the requirements of para. K308, flange facing finish, and method of attachment. See also para. F312.

**K312.1 Joints Using Flanges of Different Ratings**

Paragraph 312.1 applies.

**K313 EXPANDED JOINTS**

Expanded joints are not permitted.

**K314 THREADED JOINTS****K314.1 General**

Except as provided in paras. K314.2 and K314.3, threaded joints are not permitted.

(a) Layout of piping shall be such as to minimize strain on threaded joints that could adversely affect sealing.

(b) Supports shall be designed to control or minimize strain and vibration on threaded joints and seals.

**K314.2 Taper-Threaded Joints**

(a) Taper-threaded joints shall be used only for instrumentation, vents, drains, and similar purposes, and shall be not larger than DN 15 (NPS 1/2).

(b) External-threaded components shall be at least Schedule 160 in nominal wall thickness. The nominal thickness of Schedule 160 piping is listed in ASME B36.10M for DN 15 (NPS 1/2) and in ASME B16.11 for sizes smaller than DN 15 (NPS 1/2).

**K314.3 Straight-Threaded Joints**

**K314.3.1 Joints With Seal Formed by Projecting Pipe.** Threaded joints where the threads are used to attach flanges or fittings, and in which the pipe end projects through the flange or fitting and is machined to form the sealing surface with a lens ring, cone ring, the mating pipe end, or other similar sealing device, may be used. Such joints shall be qualified in accordance with para. K304.7.2(a) or (b).

**K314.3.2 Other Straight-Threaded Joints**

(a) *Other Joints Using Components Conforming to Listed Standards.* Joints made up using straight-threaded fittings covered by standards listed in Table K326.1 may be used, provided the fittings and joints are suitable for the pipe with which they are to be used (considering piping tolerances and other characteristics), are used within the pressure–temperature limitations of the fitting, and comply with para. K302.2.1.

(b) *Other Joints Using Components Not Conforming to Listed Standards.* Other straight-threaded joints (e.g., a union comprising external and internal ends joined with a threaded union nut, or other constructions shown typically in Fig. 335.3.3) may be used. Such joints shall be qualified by performance testing in accordance with para. K304.7.2(b). Testing shall be conducted for each material type/grade and heat treatment condition, component configuration (e.g., elbow), size (e.g., NPS), and pressure rating. Performance testing of joints in which the process of making up the joint involves significant uncontrolled loads (e.g., hammer unions) shall include testing designed to simulate actual loads.

**K315 TUBING JOINTS****K315.1 Flared Type Joints**

Joints of the flared type are not permitted.

**K315.2 Flareless Joints Using Components Conforming to Listed Standards**

Joints made up using flareless type fittings covered by listed standards in Table K326.1 may be used, provided that the fittings

(a) do not rely on friction to carry loads from the tubing to the fitting

(b) are suitable for the tubing or pipe with which they are to be used (considering piping tolerances and other characteristics)

(c) are used within the pressure–temperature limitations of the fitting and the joint

(d) comply with para. K302.2.1

**K315.3 Flareless Joints Using Components Not Conforming to Listed Standards**

Joints made up using flareless type fittings not listed in Table K326.1 may be used, provided that the type of fitting selected is adequate for the design pressure, other loadings, and the design temperature, and does not rely on friction to restrain the axial load. The design shall also be qualified by performance testing in accordance with para. K304.7.2(b). Testing shall be conducted for each material type/grade and heat treatment condition, component configuration (e.g., elbow), size (e.g., NPS), and pressure rating.

**K316 CAULKED JOINTS**

Caulked joints are not permitted.

**K317 SOLDERED AND BRAZED JOINTS****K317.1 Soldered Joints**

Soldered joints are not permitted.

**K317.2 Brazed Joints**

(a) Braze welded joints and fillet joints made with brazing filler metal are not permitted.

(b) Brazed joints shall be made in accordance with para. K333 and shall be qualified as required by para. K304.7.2. Such application is the owner's responsibility. The melting point of brazing alloys shall be considered when exposure to fire is possible.

**K318 SPECIAL JOINTS**

Special joints include coupling, mechanical, and gland nut and collar types of joints.

**K318.1 General**

Joints may be used in accordance with para. 318.2 and the requirements for materials and components in this Chapter.

**K318.2 Specific Requirements**

**K318.2.1 Prototype Tests.** A prototype joint shall have been subjected to performance tests in accordance with para. K304.7.2(b) to determine the safety of the joint under test conditions simulating all expected service conditions. Testing shall include cyclic simulation.

**K318.2.2 Prohibited Joints.** Bell type and adhesive joints are not permitted.

**PART 5  
FLEXIBILITY AND SUPPORT****K319 FLEXIBILITY**

Flexibility analysis shall be performed for each piping system. Paragraphs 319.1 through 319.7 apply, except for paras. 319.4.1(c) and 319.4.5. The computed displacement stress range shall be within the allowable displacement stress range in para. K302.3.5 and shall also be included in the fatigue analysis in accordance with para. K304.8.

**K321 PIPING SUPPORT**

Piping supports and methods of attachment shall be in accordance with para. 321 except as modified below, and shall be detailed in the engineering design.

**K321.1.1 Objectives.** Paragraph 321.1.1 applies, but substitute "Chapter" for "Code" in (a).



**K321.1.4 Materials.** Paragraph 321.1.4 applies, but replace (e) with the following:

(e) Attachments welded to the piping shall be of a material compatible with the piping and the service. Other requirements are specified in paras. K321.3.2 and K323.4.2(b).

**K321.3.2 Integral Attachments.** Paragraph 321.3.2 applies, but substitute “K321.1.4(e)” for “321.1.4(e)” and “Chapter IX” for “Chapter V.”

## PART 6 SYSTEMS

### K322 SPECIFIC PIPING SYSTEMS

#### K322.3 Instrument Piping

**K322.3.1 Definition.** Instrument piping within the scope of this Chapter includes all piping and piping components used to connect instruments to high pressure piping or equipment. Instruments, permanently sealed fluid-filled tubing systems furnished with instruments as temperature- or pressure-responsive devices, and control piping for air or hydraulically operated control apparatus (not connected directly to the high pressure piping or equipment) are not within the scope of this Chapter.

**K322.3.2 Requirements.** Instrument piping within the scope of this Chapter shall be in accordance with para. 322.3.2 except that the design pressure and temperature shall be determined in accordance with para. K301, and the requirements of para. K310 shall apply. Instruments, and control piping not within the scope of this Chapter, shall be designed in accordance with para. 322.3.

#### K322.6 Pressure Relieving Systems

Paragraph 322.6 applies, except for para. 322.6.3.

**K322.6.3 Overpressure Protection.** Overpressure protection for high pressure piping systems shall conform to the following:

(a) The cumulative capacity of the pressure relieving devices shall be sufficient to prevent the pressure from rising more than 10% above the piping design pressure at the operating temperature during the relieving condition for a single relieving device or more than 16% above the design pressure when more than one device is provided, except as provided in (c) below.

(b) System protection must include one relief device set at or below the design pressure at the operating temperature for the relieving condition, with no device set to operate at a pressure greater than 105% of the design pressure, except as provided in (c) below.

(c) Supplementary pressure relieving devices provided for protection against overpressure due to fire or other unexpected sources of external heat shall be set

to operate at a pressure not greater than 110% of the design pressure of the piping system and shall be capable of limiting the maximum pressure during relief to no more than 121% of the design pressure.

## PART 7 MATERIALS

### K323 GENERAL REQUIREMENTS

(a) Paragraph K323 states limitations and required qualifications for materials based on their inherent properties. Their use is also subject to requirements elsewhere in Chapter IX and in Table K-1.

(b) Specific attention should be given to the manufacturing process to ensure uniformity of properties throughout each piping component.

(c) See para. K321.1.4 for support materials.

#### K323.1 Materials and Specifications

##### K323.1.1 Listed Materials

(a) Any material used in a pressure-containing piping component shall conform to a listed specification, except as provided in (b) below or in para. K323.1.2.

(b) Materials manufactured to specification editions different from those listed in Appendix E may be used, provided

(1) the requirements for chemical composition and heat-treatment condition in the edition of the specification to which the material was manufactured meet the requirements of the listed edition

(2) the specified minimum tensile and yield strengths, and, if applicable, the specified maximum tensile and yield strengths, required by the two editions of the specification are the same, and

(3) the material has been tested and examined in accordance with the requirements of the listed edition of the specification

A material that does not meet the requirements of paras. K323.1.1(b)(1), (2), and (3) may be evaluated as an unlisted material in accordance with para. K323.1.2.

**K323.1.2 Unlisted Materials.** An unlisted material may be used, provided it conforms to a published specification covering chemistry, physical and mechanical properties, method and process of manufacture, heat treatment, and quality control, and otherwise meets the requirements of this Chapter. Allowable stresses shall be determined in accordance with the applicable allowable stress basis of this Chapter or a more conservative basis.

**K323.1.3 Unknown Materials.** Materials of unknown specification, type, or grade are not permitted.

**K323.1.4 Reclaimed Materials.** Reclaimed pipe and other piping components may be used provided they are properly identified as conforming to a listed specification, have documented service history for the material

and fatigue life evaluation, and otherwise meet the requirements of this Chapter. Sufficient cleaning and inspection shall be made to determine minimum wall thickness and freedom from defects which would be unacceptable in the intended service.

**K323.1.5 Product Analysis.** Conformance of materials to the product analysis chemical requirements of the applicable specification shall be verified, and certification shall be supplied. Requirements for product analysis are defined in the applicable materials specification.

**K323.1.6 Repair of Materials by Welding.** A material defect may be repaired by welding, provided that all of the following criteria are met:

(a) The material specification provides for weld repair.

(b) The welding procedure and welders or welding operators are qualified as required by para. K328.2.

(c) The repair and its examination are performed in accordance with the material specification and with the owner's approval.

## (12) K323.2 Temperature Limitations

The designer shall verify that materials which meet other requirements of this Chapter are suitable for service throughout the operating temperature range. Attention is directed to Note (4) in Appendix K, and para. K323.2.1 following.

**K323.2.1 Upper Temperature Limits, Listed Materials.** A listed material may be used at a temperature above the maximum for which a stress value is shown in Table K-1, but only if

(a) there is no prohibition in Appendix K or elsewhere in this Chapter

(b) the designer verifies the serviceability of the material in accordance with para. K323.2.4 and

(c) the upper temperature limit shall be less than the temperature for which an allowable stress determined in accordance with para. 302.3.2 is governed by the creep or stress rupture provisions of that paragraph

### K323.2.2 Lower Temperature Limits, Listed Materials

(a) The lowest permitted service temperature for a component or weld shall be the impact test temperature determined in accordance with para. K323.3.4(a), except as provided in (b) or (c) below.

(b) For a component or weld subjected to a longitudinal or circumferential stress  $\leq 41$  MPa (6 ksi), the lowest service temperature shall be the lower of  $-46^{\circ}\text{C}$  ( $-50^{\circ}\text{F}$ ) or the impact test temperature determined in para. K323.3.4(a).

(c) For materials exempted from Charpy testing by Note (6) of Table K323.3.1, the service temperature shall not be lower than  $-46^{\circ}\text{C}$  ( $-50^{\circ}\text{F}$ ).

### K323.2.3 Temperature Limits, Unlisted Materials.

An unlisted material acceptable under para. K323.1.2

shall be qualified for service at all temperatures within a stated range from design minimum temperature to design (maximum) temperature, in accordance with para. K323.2.4. The requirements of para. K323.2.1(c) also apply.

### K323.2.4 Verification of Serviceability

(a) When an unlisted material is used, or when a listed material is to be used above the highest temperature for which stress values appear in Appendix K, the designer is responsible for demonstrating the validity of the allowable stresses and other design limits, and of the approach taken in using the material, including the derivation of stress data and the establishment of temperature limits.

(b) Paragraph 323.2.4(b) applies except that allowable stress values shall be determined in accordance with para. K302.3.

## K323.3 Impact Testing Methods and Acceptance Criteria

**K323.3.1 General.** Except as provided in Table K323.3.1, Note (6), piping components used in High Pressure Fluid Service shall be subjected to Charpy V-notch impact testing. The testing shall be performed in accordance with Table K323.3.1 on representative samples using the testing methods described in paras. K323.3.2, K323.3.3, and K323.3.4. Acceptance criteria are described in para. K323.3.5.

**K323.3.2 Procedure.** Paragraph 323.3.2 applies.

### K323.3.3 Test Specimens

(a) Each set of impact test specimens shall consist of three specimen bars. Impact tests shall be made using standard 10 mm (0.394 in.) square cross section Charpy V-notch specimen bars oriented in the transverse direction.

(b) Where component size and/or shape does not permit specimens as specified in (a) above, standard 10 mm square cross-section longitudinal Charpy specimens may be prepared.

(c) Where component size and/or shape does not permit specimens as specified in (a) or (b) above, subsize longitudinal Charpy specimens may be prepared. Test temperature shall be reduced in accordance with Table 323.3.4. See also Table K323.3.1, Note (6).

(d) If necessary in (a), (b), or (c) above, corners of specimens parallel to and on the side opposite the notch may be as shown in Fig. K323.3.3.

**K323.3.4 Test Temperatures.** For all Charpy impact tests, the test temperature criteria in (a) or (b) below shall be observed.

(a) Charpy impact tests shall be conducted at a temperature no higher than the lower of the following:

(1)  $20^{\circ}\text{C}$  ( $70^{\circ}\text{F}$ )

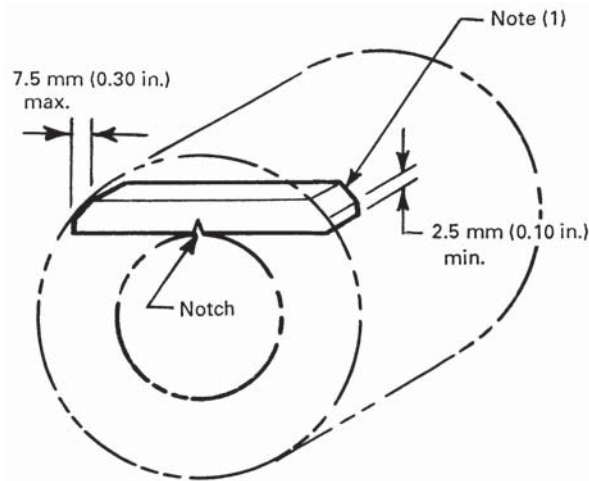
**Table K323.3.1 Impact Testing Requirements**

	Test Characteristics	Column A Pipe, Tubes, and Components Made From Pipe or Tubes	Column B Other Components, Fittings, Etc.	Column C Bolts
Tests on Materials	Number of tests	As required by the material specification, or one test set per lot [see Note (1)], whichever is greater, except as permitted by Note (6).		
	Location and orientation of specimens [see Note (2)]	(a) Transverse to the longitudinal axis, with notch parallel to axis. [See Note (3).] (b) Where component size and/or shape does not permit specimens as specified in (a) above, paras. K323.3.3(b), (c), and (d) apply as needed.	(a) Transverse to the direction of maximum elongation during rolling or to direction of major working during forging. Notch shall be oriented parallel to direction of maximum elongation or major working. (b) If there is no single identifiable axis, e.g., for castings or triaxial forgings, specimens shall either meet the longitudinal values of Table K323.3.5, or three sets of orthogonal specimens shall be prepared, and the lowest impact values obtained from any set shall meet the transverse values of Table K323.3.5. (c) Where component size and/or shape does not permit specimens as specified in (a) or (b) above, paras. K323.3.3(c) and (d) apply as needed.	(a) Bolts $\leq 52$ mm (2 in.) nominal size made in accordance with ASTM A 320 shall meet the impact requirements of that specification. (b) For all other bolts, longitudinal specimens shall be taken. The impact values obtained shall meet the transverse values of Table K323.3.5.
Tests on Welds in Fabrication or Assembly	Test pieces [see Note (5)]	Test pieces for preparation of impact specimens shall be made for each welding procedure, type of electrode, or filler metal (i.e., AWS E-XXXX classification) and each flux to be used. All test pieces shall be subject to heat treatment, including cooling rates and aggregate time at temperature or temperatures, essentially the same as the heat treatment which the finished component will have received.		
	Number of test pieces [see Note (4)]	(1) One test piece with a thickness $T$ for each range of material thicknesses which can vary from $\frac{1}{2}T$ to $T + 6$ mm ( $\frac{1}{4}$ in.). (2) Unless otherwise specified in this Chapter [see Note (3)] or the engineering design, test pieces need not be made from individual material lots, or from material for each job, provided welds in other certified material of the same thickness ranges and to the same specification (type and grade, not heat or lot) have been tested as required and the records of those tests are made available.		
	Location and orientation of specimens	(1) Weld metal impact specimens shall be taken across the weld with the notch in the weld metal. Each specimen shall be oriented so that the notch axis is normal to the surface of the material and one face of the specimen shall be within 1.5 mm ( $\frac{1}{16}$ in.) of the surface of the material. (2) Heat affected zone impact specimens shall be taken across the weld and have sufficient length to locate the notch in the heat affected zone, after etching. The notch shall be cut approximately normal to the material surface in such a manner as to include as much heat affected zone material as possible in the resulting fracture. (3) The impact values obtained from both the weld metal and heat affected zone specimens shall be compared to the transverse values in Table K323.3.5 for the determination of acceptance criteria.		

**Table K323.3.1 Impact Testing Requirements (Cont'd)**

## NOTES:

- (1) A lot shall consist of pipe or components of the same nominal size, made from the same heat of material, and heat treated together. If a continuous type furnace is used, pipe or components may be considered to have been heat treated together if they are processed during a single continuous time period at the same furnace conditions.
- (2) Impact tests shall be performed on a representative sample of material after completion of all heat treatment and forming operations involving plastic deformation, except that cold bends made in accordance with para. K304.2.1 need not be tested after bending.
- (3) For longitudinally welded pipe, specimens shall be taken from the base metal, weld metal, and the heat affected zone.
- (4) The test piece shall be large enough to permit preparing the number of specimens required by para. K323.3. If this is not possible, additional test pieces shall be prepared.
- (5) For welds in the fabrication or assembly of piping or components, including repair welds.
- (6) Impact tests are not required when the maximum obtainable longitudinal Charpy specimen has a width along the notch less than 2.5 mm (0.098 in.). See para. K323.2.2(c).

**Fig. K323.3.3 Example of an Acceptable Impact Test Specimen**

GENERAL NOTE: This Figure illustrates how an acceptable transverse Charpy specimen can be obtained from a tubing or component shape too small for a full length standard specimen in accordance with ASTM A370. The corners of a longitudinal specimen parallel to and on the side opposite the notch may be as shown.

## NOTE:

- (1) Corners of the Charpy specimen [see para. K323.3.3(d)] may follow the contour of the component within the dimension limits shown.

**Table K323.3.5 Minimum Required Charpy V-Notch Impact Values**

Specimen Orientation	Pipe Wall or Component Thickness, mm (in.)	No. of Specimens [Note (1)]	Energy, J (ft-lbf) [Note (2)]	
			Specified Minimum Yield Strength, MPa (ksi)	
			≤ 932 (≤ 135)	> 932 (> 135)
Transverse	≤ 25 (≤ 1)	Average for 3 Minimum for 1	27 (20) 20 (15)	34 (25) 27 (20)
	> 25 and ≤ 51 (> 1 and ≤ 2)	Average for 3 Minimum for 1	34 (25) 27 (20)	41 (30) 33 (24)
	> 51 (> 2)	Average for 3 Minimum for 1	41 (30) 33 (24)	47 (35) 38 (28)
Longitudinal	≤ 25 (≤ 1)	Average for 3 Minimum for 1	54 (40) 41 (30)	68 (50) 54 (40)
	> 25 and ≤ 51 (> 1 and ≤ 2)	Average for 3 Minimum for 1	68 (50) 54 (40)	81 (60) 65 (48)
	> 51 (> 2)	Average for 3 Minimum for 1	81 (60) 65 (48)	95 (70) 76 (56)

## NOTES:

- (1) See para. K323.3.5(c) for permissible retests.  
(2) Energy values in this Table are for standard size specimens. For subsize specimens, these values shall be multiplied by the ratio of the actual specimen width to that of a full-size specimen, 10 mm (0.394 in.).

(2) the lowest metal temperature at which a piping component or weld will be subjected to a stress greater than 41 MPa (6 ksi). In specifying the lowest metal temperature, the following shall be considered:

- (a) range of operating conditions
- (b) upset conditions
- (c) ambient temperature extremes
- (d) required leak test temperature

(b) Where the largest possible test specimen has a width along the notch less than the lesser of 80% of the material thickness or 8 mm (0.315 in.), the test shall be conducted at a reduced temperature in accordance with Table 323.3.4, considering the temperature as reduced below the test temperature required by (a) above.

**K323.3.5 Acceptance Criteria**

(a) *Minimum Energy Requirements for Materials Other Than Bolting.* The applicable minimum impact energy requirements for materials shall be those shown in Table K323.3.5. Lateral expansion shall be measured in accordance with ASTM A370 (for title see para. 323.3.2). The results shall be included in the impact test report.

(b) *Minimum Energy Requirements for Bolting Materials.* The applicable minimum energy requirements shall be those shown in Table K323.3.5 except as provided in Table K323.3.1.

(c) *Weld Impact Test Requirements.* Where two base metals having different required impact energy values

are joined by welding, the impact test energy requirements shall equal or exceed the requirements of the base material having the lower required impact energy.

*(d) Retests*

(1) *Retest for Absorbed Energy Criteria.* When the average value of the three specimens equals or exceeds the minimum value permitted for a single specimen, and the value for more than one specimen is below the required average value, or when the value for one specimen is below the minimum value permitted for a single specimen, a retest of three additional specimens shall be made. The value for each of these retest specimens shall equal or exceed the required average value.

(2) *Retest for Erratic Test Results.* When an erratic result is caused by a defective specimen or uncertainty in the test, a retest will be allowed. The report giving test results shall specifically state why the original specimen was considered defective or which step of the test procedure was carried out incorrectly.

**K323.4 Requirements for Materials**

**K323.4.1 General.** Requirements in para. K323.4 apply to pressure-containing parts, not to materials used as supports, gaskets, packing, or bolting. See also Appendix F, para. F323.4.

**K323.4.2 Specific Requirements**

- (a) Ductile iron and other cast irons are not permitted.
- (b) Zinc-coated materials are not permitted for pressure containing components and may not be attached to pressure-containing components by welding.

**K323.4.3 Metallic Clad and Lined Materials.** Materials with metallic cladding or lining may be used in accordance with the following provisions:

(a) For metallic clad or lined piping components, the base metal shall be an acceptable material as defined in para. K323, and the thickness used in pressure design in accordance with para. K304 shall not include the thickness of the cladding or lining. The allowable stress used shall be that for the base metal at the design temperature. For such components, the cladding or lining may be any material that, in the judgment of the user, is suitable for the intended service and for the method of manufacture and assembly of the piping component.

(b) Fabrication by welding of clad or lined piping components and the inspection and testing of such components shall be done in accordance with applicable provisions of the BPV Code, Section VIII, Division 1, UCL-30 through UCL-52, and the provisions of this Chapter.

(c) If a metallic liner also serves as a gasket or as part of the flange facing, the requirements and limitations in para. K308.4 apply.

**K323.5 Deterioration of Materials in Service**

Paragraph 323.5 applies.

**K325 MISCELLANEOUS MATERIALS**

Paragraph 325 applies.

**PART 8****STANDARDS FOR PIPING COMPONENTS****(12) K326 REQUIREMENTS FOR COMPONENTS****K326.1 Dimensional Requirements**

**K326.1.1 Listed Piping Components.** Dimensional standards for piping components are listed in Table K326.1. Dimensional requirements contained in specifications listed in Appendix K shall also be considered requirements of this Code.

**K326.1.2 Unlisted Piping Components.** Piping components not listed in Table K326.1 or Appendix K shall meet the pressure design requirements described in para. K302.2.3 and the mechanical strength requirements described in para. K303.

**K326.1.3 Threads.** The dimensions of piping connection threads not otherwise covered by a governing component standard or specification shall conform to

the requirements of applicable standards listed in Table K326.1 or Appendix K.

**K326.2 Ratings of Components**

**K326.2.1 Listed Components.** The pressure-temperature ratings of components listed in Table K326.1 are accepted for pressure design in accordance with para. K303.

**K326.2.2 Unlisted Components.** The pressure-temperature ratings of unlisted piping components shall conform to the applicable provisions of para. K304.

**K326.3 Reference Documents**

The documents listed in Table K326.1 contain references to codes, standards, and specifications not listed in Table K326.1. Such unlisted codes, standards, and specifications shall be used only in the context of the listed documents in which they appear.

The design, materials, fabrication, assembly, examination, inspection, and testing requirements of this Chapter are not applicable to components manufactured in accordance with the documents listed in Table K326.1, unless specifically stated in this Chapter or in the listed document.

**K326.4 Repair of Piping Components by Welding**

A defect in a component listed in Table K326.1 or in an unlisted component in accordance with para. K302.2.3(a) may be repaired by welding, provided that all of the following criteria are met:

(a) The component specification provides for weld repair.

(b) The welding procedure and welders or welding operators are qualified as required by para. K328.2.

(c) The repair and its examination are performed in accordance with the component specification and with the owner's approval.

**PART 9****FABRICATION, ASSEMBLY, AND ERECTION****K327 GENERAL**

Piping materials and components are prepared for assembly and erection by one or more of the fabrication processes covered in paras. K328, K330, K331, K332, and K333. When any of these processes is used in assembly or erection, requirements are the same as for fabrication.

**K328 WELDING**

Welding which conforms to the requirements of para. K328 may be used in accordance with para. K311.

**K328.1 Welding Responsibility**

Each employer is responsible for the welding done by the personnel of his organization and shall conduct the

**Table K326.1 Component Standards**

Standard or Specification	Designation
<b>Bolting</b>	
Square and Hex Bolts and Screws, Inch Series; Including Hex Cap Screws and Lag Screws . . . . .	ASME B18.2.1
Square and Hex Nuts (Inch Series) . . . . .	ASME B18.2.2
<b>Metallic Fittings, Valves, and Flanges</b>	
Pipe Flanges and Flanged Fittings [Note (1)] . . . . .	ASME B16.5
Factory-Made Wrought Steel Butt welding Fittings [Note (1)] . . . . .	ASME B16.9
Forged Fittings, Socket Welding and Threaded [Note (1)] . . . . .	ASME B16.11
Valves—Flanged, Threaded, and Welding End [Note (1)]. . . . .	ASME B16.34
Line Blanks [Note (1)] . . . . .	ASME B16.48
Standard Marking System for Valves, Fittings, Flanges, and Unions . . . . .	MSS SP-25
High Pressure Chemical Industry Flanges and Threaded Stubs for Use with Lens Gaskets . . . . .	MSS SP-65
<b>Metallic Pipe and Tubes</b>	
Welded and Seamless Wrought Steel Pipe [Note (1)] . . . . .	ASME B36.10M
Stainless Steel Pipe [Note (1)] . . . . .	ASME B36.19M
<b>Miscellaneous</b>	
Threading, Gauging, and Thread Inspection of Casing, Tubing, and Line Pipe Threads . . . . .	API 5B
Unified Inch Screw Threads (UN and UNR Thread Form) . . . . .	ASME B1.1
Pipe Threads, General Purpose (Inch) . . . . .	ASME B1.20.1
Metallic Gaskets for Pipe Flanges . . . . .	ASME B16.20
Butt welding Ends . . . . .	ASME B16.25
Surface Texture (Surface Roughness, Waviness, and Lay) . . . . .	ASME B46.1

GENERAL NOTE: It is not practical to refer to a specific edition of each standard throughout the Code text. Instead, the approved edition references, along with the names and addresses of the sponsoring organizations, are shown in Appendix E.

NOTE:

- (1) The use of components made in accordance with these standards is permissible provided they meet all of the requirements of this Chapter.

tests required to qualify welding procedures, and to qualify and as necessary requalify welders and welding operators.

### K328.2 Welding Qualifications

- (12) **K328.2.1 Qualification Requirements.** Qualification of the welding procedures to be used and of the performance of welders and welding operators shall comply with the requirements of the BPV Code, Section IX, except as modified herein.

(a) Impact tests shall be performed for all procedure qualifications in accordance with para. K323.3.

(b) Test weldments shall be made using the same specification and type or grade of base metal(s), and the same specification and classification of filler metal(s) as will be used in production welding.

(c) Test weldments shall be subjected to essentially the same heat treatment, including cooling rate and cumulative time at temperature, as the production welds.

(d) When tensile specimens are required by Section IX, the yield strength shall also be determined, using the method required for the base metal. The yield strength of each test specimen shall be not less than the specified minimum yield strength at room temperature ( $S_Y$ ) for the base metals joined. Where two base metals having different  $S_Y$  values are joined by welding, the yield strength of each test specimen shall be not less than the lower of the two  $S_Y$  values.

(e) Mechanical testing is required for all performance qualification tests.

(f) Qualification on pipe or tubing shall also qualify for plate, but qualification on plate does not qualify for pipe or tubing.

(g) For thickness greater than 51 mm (2 in.), the procedure test coupon shall be at least 75% as thick as the thickest joint to be welded in production.

**K328.2.2 Procedure Qualification by Others.** Qualification of welding procedures by others is not permitted.

**K328.2.3 Performance Qualification by Others.**

Welding performance qualification by others is not permitted.

**K328.2.4 Qualification Records.** Paragraph 328.2.4 applies.

**K328.3 Materials**

**K328.3.1 Filler Metal.** Filler metal shall be specified in the engineering design and shall conform to the requirements of the BPV Code, Section IX. A filler metal not yet incorporated in Section IX may be used with the owner's approval if a procedure qualification test, including an all-weld-metal test, is first successfully made.

**K328.3.2 Weld Backing Material.** Backing rings shall not be used.

**K328.3.3 Consumable Inserts.** Paragraph 328.3.3 applies, except that procedures shall be qualified as required by para. K328.2.

**K328.4 Preparation for Welding**

**K328.4.1 Cleaning.** Paragraph 328.4.1 applies.

**K328.4.2 End Preparation***(a) General*

(1) Butt weld end preparation is acceptable only if the surface is machined or ground to bright metal.

(2) Butt welding end preparation contained in ASME B16.25 or any other end preparation which meets the procedure qualification is acceptable. [For convenience, the basic bevel angles taken from B16.25, with some additional J-bevel angles, are shown in Fig. 328.4.2 sketches (a) and (b).]

*(b) Circumferential Welds*

(1) If component ends are trimmed as shown in Fig. 328.4.2 sketch (a) or (b) to accommodate consumable inserts, or as shown in Fig. K328.4.3 to correct internal misalignment, such trimming shall not result in a finished wall thickness before welding less than the required minimum wall thickness,  $t_m$ .

(2) It is permissible to size pipe ends of the same nominal size to improve alignment, if wall thickness requirements are maintained.

(3) Where necessary, weld metal may be deposited on the inside or outside of the component to permit alignment or provide for machining to ensure satisfactory seating of inserts.

(4) When a butt weld joins sections of unequal wall thickness and the thicker wall is more than  $1\frac{1}{2}$  times the thickness of the other, end preparation and geometry shall be in accordance with acceptable designs for unequal wall thickness in ASME B16.5.

**K328.4.3 Alignment***(a) Girth Butt Welds*

(1) Inside diameters of components at the ends to be joined shall be aligned within the dimensional limits in the welding procedure and the engineering design, except that no more than 1.5 mm ( $\frac{1}{16}$  in.) misalignment is permitted as shown in Fig. K328.4.3.

(2) If the external surfaces of the two components are not aligned, the weld shall be tapered between the two surfaces with a slope not steeper than 1:4.

*(b) Longitudinal Butt Joints.* Preparation for longitudinal butt welds (not made in accordance with a standard listed in Table K-1 or Table K326.1) shall conform to the requirements of para. K328.4.3(a).

*(c) Branch Connection Welds*

(1) The dimension  $m$  in Fig. K328.5.4 shall not exceed  $\pm 1.5$  mm ( $\frac{1}{16}$  in.).

(2) The dimension  $g$  in Fig. K328.5.4 shall be specified in the engineering design and the welding procedure.

**K328.5 Welding Requirements**

**K328.5.1 General.** The requirements of paras. 328.5.1(b), (d), (e), and (f) apply in addition to the requirements specified below.

*(a)* All welds, including tack welds, repair welds, and the addition of weld metal for alignment [paras. K328.4.2(b)(3) and K328.4.3(c)(1)], shall be made by qualified welders or welding operators, in accordance with a qualified procedure.

*(b)* Tack welds at the root of the joint shall be made with filler metal equivalent to that used for the root pass. Tack welds shall be fused with the root pass weld, except that those which have cracked shall be removed. Bridge tacks (above the root) shall be removed.

**K328.5.2 Fillet Welds.** Fillet welds, where permitted (see para. K311.2.2), shall be fused with and shall merge smoothly into the component surfaces.

**K328.5.3 Seal Welds.** Seal welds are not permitted.

**K328.5.4 Welded Branch Connections.** Branch connection fittings (see para. 300.2), attached by smoothly contoured full penetration groove welds of a design that permits 100% interpretable radiographic examination are the only types acceptable.

Figure K328.5.4 shows acceptable details of welded branch connections. The illustrations are typical and are not intended to exclude acceptable types of construction not shown.

**K328.5.5 Fabricated Laps.** Fabricated laps are not permitted.

**K328.6 Weld Repair**

Paragraph 328.6 applies, except that procedures and performance shall be qualified as required by para. K328.2.1. See also para. K341.3.3.



Fig. K328.4.3 Pipe Bored for Alignment: Trimming and Permitted Misalignment

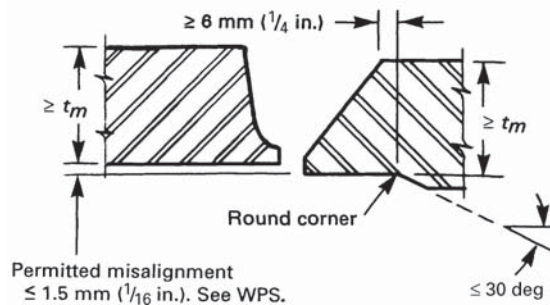
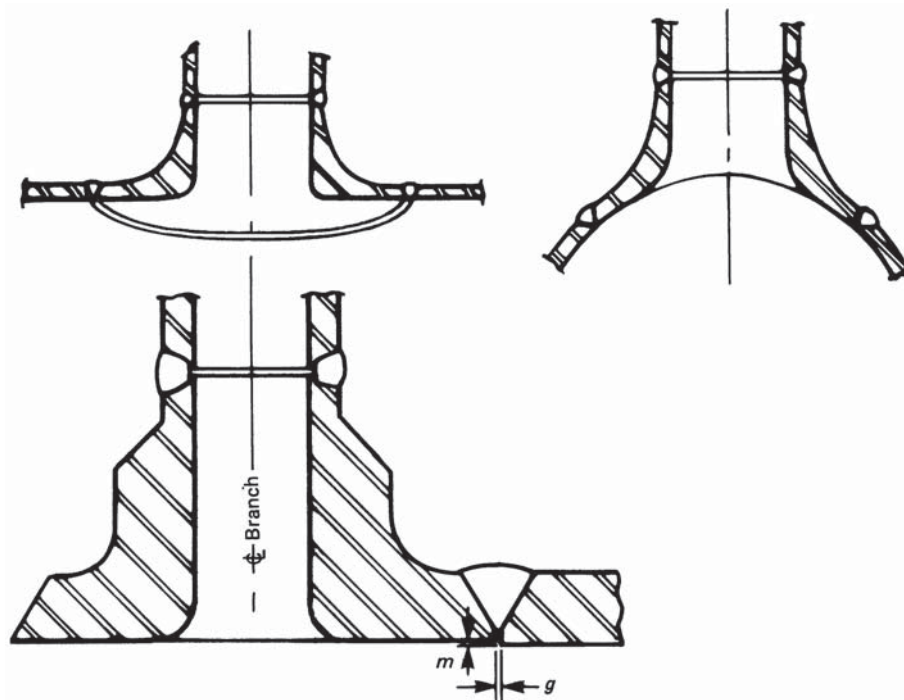


Fig. K328.5.4 Some Acceptable Welded Branch Connections Suitable for 100% Radiography



## K330 PREHEATING

### K330.1 General

The requirements in para. K330 apply to all types of welding, including tack welds and repair welds.

**K330.1.1 Requirements.** The necessity for preheating prior to welding, and the temperature to be used, shall be established by the engineering design. However, the preheat temperatures for the various P-Number materials shall be not less than those shown in Table 330.1.1, including those shown as "Recommended." The suitability of the preheat temperature shall also be demonstrated by the procedure qualification. For joints of dissimilar thickness, the nominal

wall thickness stated in Table 330.1.1 shall be that of the thicker component at the joint.

**K330.1.2 Unlisted Materials.** Preheat requirements for an unlisted material shall be specified in the WPS.

**K330.1.3 Temperature Verification.** Preheat temperature shall be checked by use of temperature-indicating crayons, thermocouple pyrometers, or other suitable means to ensure that the temperature specified in the WPS is obtained prior to and maintained during welding. Temperature-indicating materials and techniques shall not be detrimental to the base metals.

**K330.1.4 Preheat Zone.** The preheat zone shall extend at least 25 mm (1 in.) beyond each edge of the weld.

### K330.2 Specific Requirements

Paragraph 330.2 applies in its entirety.

## K331 HEAT TREATMENT

The text introducing para. 331 applies.

### K331.1 General

**K331.1.1 Heat Treatment Requirements.** The provisions of para. 331 and Table 331.1.1 apply, except as specified below.

(a) Heat treatment is required for all thicknesses of P-Nos. 4 and 5 materials.

(b) For welds other than longitudinal in quenched and tempered materials, when heat treatment is required by the engineering design, the temperature shall not be higher than 28°C (50°F) below the tempering temperature of the material.

(c) Longitudinal welds in quenched and tempered material shall be heat treated in accordance with the applicable material specification.

**K331.1.3 Governing Thickness.** When components are joined by welding, the thickness to be used in applying the heat treatment provisions of Table 331.1.1 shall be that of the thicker component measured at the joint, except as follows:

In the case of fillet welds used for attachment of external nonpressure parts, such as lugs or other pipe-supporting elements, heat treatment is required when the thickness through the weld and base metal in any plane is more than twice the minimum material thickness requiring heat treatment (even though the thickness of the components at the joint is less than that minimum thickness) except as follows:

(a) not required for P-No. 1 materials when weld throat thickness is 16 mm ( $\frac{5}{8}$  in.) or less, regardless of base metal thickness.

(b) not required for P-Nos. 3, 4, 5, 10A, and 10B materials when weld throat thickness is 6 mm ( $\frac{1}{4}$  in.) or less, regardless of base metal thickness, provided that not less than the recommended minimum preheat is applied and the specified minimum tensile strength of the base metal is less than 490 MPa (71 ksi).

(c) not required for ferritic materials when welds are made with filler metal which does not air harden. Austenitic welding materials may be used for welds to ferritic materials when the effects of service conditions, such as differential thermal expansion due to elevated temperature, or corrosion, will not adversely affect the weldment.

**K331.1.4 Heating and Cooling.** Paragraph 331.1.4 applies.

**K331.1.6 Temperature Verification.** Heat treatment temperature shall be checked by thermocouple pyrometers or other suitable methods to ensure that the WPS requirements are met. Temperature-indicating materials and techniques shall not be detrimental to the base metals.

**K331.1.7 Hardness Tests.** Paragraph 331.1.7 applies.

### K331.2 Specific Requirements

Paragraph 331.2 applies in its entirety.

## K332 BENDING AND FORMING

### K332.1 General

Pipe shall be hot or cold bent in accordance with a written procedure to any radius which will result in surfaces free of cracks and free of buckles. The procedure shall address at least the following, as applicable:

(a) material specification and range of size and thickness

(b) range of bend radii and fiber elongation

(c) minimum and maximum metal temperature during bending

(d) method of heating and maximum hold time

(e) description of bending apparatus and procedure to be used

(f) mandrels or material and procedure used to fill the bore

(g) method for protection of thread and machined surfaces

(h) examination to be performed

(i) required heat treatment

(j) postheat treatment dimensional adjustment technique

### K332.2 Bending

**K332.2.1 Bend Flattening.** The difference between the maximum and the minimum diameters at any cross section of a bend shall not exceed 8% of nominal outside diameter for internal pressure and 3% for external pressure.

**K332.2.2 Bending Temperature.** Paragraph 332.2.2 applies, except that in cold bending of quenched and tempered ferritic materials, the temperature shall be at least 28°C (50°F) below the tempering temperature.

### K332.3 Forming

Piping components shall be formed in accordance with a written procedure. The temperature range shall be consistent with material characteristics, end use, and specified heat treatment. The thickness after forming shall be not less than required by design. The procedure shall address at least the following, as applicable:

- (a) material specification and range of size and thickness
- (b) maximum fiber elongation expected during forming
- (c) minimum and maximum metal temperature during bending
- (d) method of heating and maximum hold time
- (e) description of forming apparatus and procedure to be used
- (f) materials and procedures used to provide internal support during forming
- (g) examination to be performed
- (h) required heat treatment

#### **K332.4 Required Heat Treatment**

**K332.4.1 Hot Bending and Forming.** After hot bending and forming, heat treatment is required for all thicknesses of P-Nos. 3, 4, 5, 6, 10A, and 10B materials that are not quenched and tempered. Times and temperatures shall be in accordance with para. 331. Quenched and tempered materials shall be reheat treated to the original material specification.

#### **K332.4.2 Cold Bending and Forming**

(a) After cold bending and forming, heat treatment in accordance with (b) below is required, regardless of thickness, when specified in the engineering design or when the maximum calculated fiber elongation exceeds 5% strain or 50% of the basic minimum specified longitudinal elongation for the applicable specification, grade, and thickness for P-Nos. 1 through 6 materials (unless it has been demonstrated that the selection of the pipe and the procedure for making the components provide assurance that the most severely formed portion of the material has retained an elongation of not less than 10%).

(b) Heat treatment is required regardless of thickness and shall conform to the temperatures and durations given in Table 331.1.1, except that for quenched and tempered materials, the stress relieving temperature shall not exceed a temperature 28°C (50°F) below the tempering temperature of the material.

### **K333 BRAZING AND SOLDERING**

Brazing shall be in accordance with para. 333. The owner shall specify examination requirements for brazed joints.

### **K335 ASSEMBLY AND ERECTION**

#### **K335.1 General**

Paragraph 335.1 applies.

#### **K335.2 Flanged Joints**

Paragraph 335.2 applies, except that bolts shall extend completely through their nuts.

#### **K335.3 Threaded Joints**

Paragraph 335.3 applies, except that threaded joints shall not be seal welded.

#### **K335.4 Special Joints**

Special joints (as defined in para. K318) shall be installed and assembled in accordance with the manufacturer's instructions, as modified by the engineering design. Care shall be taken to ensure full engagement of joint members.

#### **K335.5 Cleaning of Piping**

See Appendix F, para. F335.9.

## **PART 10**

### **INSPECTION, EXAMINATION, AND TESTING**

#### **K340 INSPECTION**

Paragraphs 340.1 through 340.4 apply.

#### **K341 EXAMINATION**

Paragraphs 341.1 and 341.2 apply.

#### **K341.3 Examination Requirements**

**K341.3.1 General.** Prior to initial operation, each piping installation, including components and workmanship, shall be examined in accordance with para. K341.4 and the engineering design. If heat treatment is performed, examination shall be conducted after its completion.

**K341.3.2 Acceptance Criteria.** Acceptance criteria shall be as stated in the engineering design and shall at least meet the applicable requirements stated in (a) and (b) below, and elsewhere in this Chapter.

(a) Table K341.3.2 states acceptance criteria (limits on imperfections) for welds. See Fig. 341.3.2 for typical weld imperfections.

(b) Acceptance criteria for castings are specified in para. K302.3.3.

#### **K341.3.3 Defective Components and Workmanship**

(a) Defects (imperfections of a type or magnitude not acceptable by the criteria specified in para. K341.3.2) shall be repaired, or the defective item shall be replaced.

(b) Repaired or replaced items shall be examined as required for the original work.

#### **K341.4 Extent of Required Examination**

Piping shall be examined to the extent specified herein or to any greater extent specified in the engineering design.

#### **K341.4.1 Visual Examination**

(a) The requirements of para. 341.4.1(a) apply with the following exceptions in regard to extent of examination:

- (1) *Materials and Components.* 100%.

**Table K341.3.2 Acceptance Criteria for Welds**

Type of Imperfection	Criteria (A–E) for Types of Welds, and for Required Examination Methods [Note (1)]					
	Methods		Type of Weld			
	Ultrasonics or Visual	Radiography	Girth Groove	Longitudinal Groove [Note (2)]	Fillet [Note (3)]	Branch Connection [Note (4)]
Crack	X	X	A	A	A	A
Lack of fusion	X	X	A	A	A	A
Incomplete penetration	X	X	A	A	A	A
Internal porosity	...	X	B	B	NA	B
Slag inclusion or elongated indication	...	X	C	C	NA	C
Undercutting	X	X	A	A	A	A
Surface porosity or exposed slag inclusion	X	...	A	A	A	A
Concave root surface (suck-up)	X	X	D	D	NA	D
Surface finish	X	...	E	E	E	E
Reinforcement or internal protrusion	X	...	F	F	F	F

GENERAL NOTE: X = required examination; NA = not applicable; ... = not required.

**Criterion Value Notes for Table K341.3.2**

Criterion		Acceptable Value Limits [Note (5)]	
Symbol	Measure		
A	Extent of imperfection	Zero (no evident imperfection)	
B	Size and distribution of internal porosity	See BPV Code, Section VIII, Division 1, Appendix 4	
C	Slag inclusion or elongated indication. Indications are unacceptable if the amplitude exceeds the reference level, or indications have lengths that exceed Individual length	$6 \text{ mm } (\frac{1}{4} \text{ in.})$ for $\bar{T}_w \leq 19 \text{ mm } (\frac{3}{4} \text{ in.})$ $\bar{T}_w / 3$ for $19 \text{ mm } (\frac{3}{4} \text{ in.}) < \bar{T}_w \leq 57 \text{ mm } (2\frac{1}{4} \text{ in.})$ $19 \text{ mm } (\frac{3}{4} \text{ in.})$ for $\bar{T}_w > 57 \text{ mm } (2\frac{1}{4} \text{ in.})$ $\leq \bar{T}_w$ in any 12 $\bar{T}_w$ weld length	
D	Cumulative length Depth of surface concavity	Wall Thickness, $\bar{T}_w$ , mm (in.)	Depth of Surface Concavity, mm (in.)
		$\leq 13 (\frac{1}{2})$ $> 13 (\frac{1}{2})$ and $\leq 51 (2)$ $> 51 (2)$	$\leq 1.5 (\frac{1}{16})$ $\leq 3 (\frac{1}{8})$ $\leq 4 (\frac{5}{32})$
E	Surface roughness	$\leq 12.5 \mu\text{m}$ (500 $\mu\text{in.}$ ) $R_a$ (see ASME B46.1 for definition of roughness average, $R_a$ )	
F	Height of reinforcement or internal protrusion [Note (6)] in any plane through the weld shall be within the limits of the applicable height value in the tabulation at the right. Weld metal shall be fused with and merge smoothly into the component surfaces.	Wall Thickness, $\bar{T}_w$ , mm (in.)	External Weld Reinforcement or Internal Weld Protrusion, mm (in.)
		$\leq 13 (\frac{1}{2})$ $> 13 (\frac{1}{2})$ and $\leq 51 (2)$ $> 51 (2)$	$\leq 1.5 (\frac{1}{16})$ $\leq 3 (\frac{1}{8})$ $\leq 4 (\frac{5}{32})$

**NOTES:**

- Criteria given are for required examination. More stringent criteria may be specified in the engineering design.
- Longitudinal welds include only those permitted in paras. K302.3.4 and K305. The criteria shall be met by all welds, including those made in accordance with a standard listed in Table K326.1 or in Appendix K.
- Fillet welds include only those permitted in para. K311.2.2.
- Branch connection welds include only those permitted in para. K328.5.4.
- Where two limiting values are given, the lesser measured value governs acceptance.  $\bar{T}_w$  is the nominal wall thickness of the thinner of two components joined by a butt weld.
- For groove welds, height is the lesser of the measurements made from the surfaces of the adjacent components. For fillet welds, height is measured from the theoretical throat; internal protrusion does not apply. Required thickness  $t_m$  shall not include reinforcement or internal protrusion.

(2) *Fabrication*. 100%.

(3) *Threaded, Bolted, and Other Joints*. 100%.

(4) *Piping Erection*. All piping erection shall be examined to verify dimensions and alignment. Supports, guides, and points of cold spring shall be checked to ensure that movement of the piping under all conditions of startup, operation, and shutdown will be accommodated without undue binding or unanticipated constraint.

(b) *Pressure-Containing Threads*. 100% examination for finish and fit is required. Items with visible imperfections in thread finish and/or the following defects shall be rejected:

(1) *Tapered Threads*. Failure to meet gaging requirements in API Spec 5B or ASME B1.20.1, as applicable.

(2) *Straight Threads*. Excessively loose or tight fit when gaged for light interference fit.

#### **K341.4.2 Radiographic and Ultrasonic Examination**

(a) All girth, longitudinal, and branch connection welds shall be 100% radiographically examined, except as permitted in (b) below.

(b) When specified in the engineering design and with the owner's approval, ultrasonic examination of welds may be substituted for radiographic examination where  $T_w \geq 13 \text{ mm}$  ( $\frac{1}{2} \text{ in.}$ ).

(c) In-process examination (see para. 344.7) shall not be substituted for radiographic or ultrasonic examination of welds.

**K341.4.3 Certifications and Records.** Paragraph 341.4.1(c) applies.

#### **K341.5 Supplementary Examination**

Any of the examination methods described in para. K344 may be specified by the engineering design to supplement the examination required by para. K341.4. The extent of supplementary examination to be performed and any acceptance criteria that differ from those specified in para. K341.3.2 shall be specified in the engineering design.

**K341.5.1 Hardness Tests.** Paragraph 341.5.2 applies.

**K341.5.2 Examinations to Resolve Uncertainty.** Paragraph 341.5.3 applies.

### **K342 EXAMINATION PERSONNEL**

Paragraph 342 applies, except that personnel performing and evaluating results of ultrasonic examination of welds shall be qualified and certified UT Level II or III in accordance with ASNT SNT-TC-1A, ACCP (ASNT Central Certification Program), or CP-189 (Qualification and Certification of Nondestructive Testing Personnel). Qualification of these personnel shall also be by written examination.

### **K343 EXAMINATION PROCEDURES**

Paragraph 343 applies. See also para. 344.6.1.

### **K344 TYPES OF EXAMINATION**

#### **K344.1 General**

Paragraphs 344.1.1 and 344.1.2 apply. In para. 344.1.3, terms other than "100% examination" apply only to supplementary examinations.

#### **K344.2 Visual Examination**

Paragraph 344.2 applies in its entirety.

#### **K344.3 Magnetic Particle Examination**

The method for magnetic particle examination shall be as specified in

(a) paragraph K302.3.3(b) for castings

(b) BPV Code, Section V, Article 7 for welds and other components

#### **K344.4 Liquid Penetrant Examination**

The method for liquid penetrant examination shall be as specified in

(a) paragraph K302.3.3(b) for castings

(b) BPV Code, Section V, Article 6 for welds and other components

#### **K344.5 Radiographic Examination**

The method for radiographic examination shall be as specified in

(a) paragraph K302.3.3(c) for castings

(b) BPV Code, Section V, Article 2 for welds and other components

#### **K344.6 Ultrasonic Examination**

**K344.6.1 Castings.** The method for ultrasonic examination of castings shall be as specified in para. K302.3.3(c).

#### **K344.6.2 Pipe and Tubing**

(a) *Method.* Pipe and tubing, required or selected in accordance with Table K305.1.2 to undergo ultrasonic examination, shall pass a 100% examination for longitudinal defects in accordance with ASTM E213, Ultrasonic Testing of Metal Pipe and Tubing. Longitudinal (axial) reference notches shall be introduced on the outer and inner surfaces of the calibration (reference) standard in accordance with Fig. 3(c) of ASTM E213 to a depth not greater than the larger of 0.1 mm (0.004 in.) or 4% of specimen thickness and a length not more than 10 times the notch depth.

(b) *Acceptance Criteria.* Any indication greater than that produced by the calibration notch represents a defect; defective pipe and tubing shall be rejected.

(c) *Records.* For pipe and tubing that passes this examination, a report shall be prepared that contains at

(12)

least the information specified in 15.2.1 through 15.2.6 of ASTM E213.

**K344.6.3 Welds.** The method for ultrasonic examination of welds shall be as specified in the ASME BPV Code, Section V, Article 4 and Section VIII, Division 3, KE-301 and KE-302, except that

(a) Performance demonstration shall be required.

(b) The employer's written practice for UT personnel qualification shall meet ASNT SNT-TC-1A, ACCP, or CP-189. The recommended guidelines in SNT-TC-1A, ACCP, or CP-189 shall be required.

(c) Written procedure in accordance with Section V, T-421.1 shall be required.

(d) Procedure qualification in accordance with Section V, T-421.1 shall be required.

#### **K344.7 In-Process Examination**

Paragraph 344.7 applies in its entirety.

#### **K344.8 Eddy Current Examination**

**K344.8.1 Method.** The method for eddy current examination of pipe and tubing shall follow the general guidelines of the ASME BPV Code, Section V, Article 8, subject to the following specific requirements:

(a) Cold drawn austenitic stainless steel pipe and tubing, selected in accordance with Table K305.1.2 for eddy current examination, shall pass a 100% examination for longitudinal defects.

(b) A calibration (reference) standard shall be prepared from a representative sample. A longitudinal (axial) reference notch shall be introduced on the inner surface of the standard to a depth not greater than the larger of 0.1 mm (0.004 in.) or 5% of specimen thickness and a length not more than 6.4 mm (0.25 in.).

**K344.8.2 Acceptance Criteria.** Any indication greater than that produced by the calibration notch represents a defect; defective pipe or tubing shall be rejected.

**K344.8.3 Records.** For pipe and tubing which passes this examination, a report shall be prepared that includes at least the following information:

(a) material identification by type, size, lot, heat, etc.

(b) listing of examination equipment and accessories

(c) details of examination technique (including examination speed and frequency) and end effects, if any

(d) description of the calibration standard, including dimensions of the notch, as measured

(e) examination results

### **K345 LEAK TESTING**

#### **K345.1 Required Leak Test**

Prior to initial operation, each piping system shall be leak tested.

(a) Each weld and each piping component, except bolting and individual gaskets to be used during final system assembly and pressure relieving devices to be used during operation, shall be hydrostatically or pneumatically leak tested in accordance with para. K345.4 or K345.5, respectively. The organization conducting the test shall ensure that during the required leak testing of components and welds, adequate protection is provided to prevent injury to people and damage to property from missile fragments, shock waves, or other consequences of any failure that might occur in the pressurized system.

(b) In addition to the requirements of (a) above, a leak test of the installed piping system, excluding pressure relieving devices to be used during operation, shall be conducted at a pressure not less than 110% of the design pressure to ensure tightness, except as provided in (c) or (d) below.

(c) If the leak test required in (a) above is conducted on the installed piping system, the additional test in (b) above is not required.

(d) With the owner's approval, pressure relieving devices to be used during operation may be included in the leak test required in (b) above. The leak test pressure may be reduced to prevent the operation of, or damage to, the pressure relieving devices, but shall not be less than 90% of the lowest set pressure of the pressure relieving devices in the system.

(e) For closure welds, examination in accordance with para. K345.2.3(c) may be substituted for the leak test required in (a) above.

(f) None of the following leak tests may be used in lieu of the leak tests required in para. K345.1:

(1) initial service leak test (para. 345.7)

(2) sensitive leak test (para. 345.8)

(3) alternative leak test (para. 345.9)

#### **K345.2 General Requirements for Leak Tests**

Paragraphs 345.2.4 through 345.2.7 apply. See below for paras. K345.2.1, K345.2.2, and K345.2.3.

##### **K345.2.1 Limitations on Pressure**

(a) *Through-Thickness Yielding.* If the test pressure would produce stress (exclusive of stress intensification) in excess of  $S_{yt}$  at the outside surface of a component<sup>10</sup> at test temperature, as determined by calculation or by testing in accordance with para. K304.7.2(b), the test pressure may be reduced to the maximum pressure that will result in a stress (exclusive of stress intensification) at the outside surface which will not exceed  $S_{yt}$ .

(b) The provisions of paras. 345.2.1(b) and (c) apply.

**K345.2.2 Other Test Requirements.** Paragraph 345.2.2 applies. In addition, the minimum metal temperature during testing shall be not less than the impact test temperature (see para. K323.3.4).

<sup>10</sup> See para. K304.1.2, footnote 4.

**K345.2.3 Special Provisions for Leak Testing.** Paragraphs K345.2.3(a), (b), and (c) below apply only to the leak test specified in para. K345.1(a). They are not applicable to the installed piping system leak test specified in para. K345.1(b).

(a) *Piping Components and Subassemblies.* Piping components and subassemblies may be leak tested either separately or as assembled piping.

(b) *Flanged Joints.* Flanged joints used to connect piping components that have previously been leak tested, and flanged joints at which a blank or blind flange is used to isolate equipment or other piping during the leak test, need not be leak tested.

(c) *Closure Welds.* Leak testing of the final weld connecting piping systems or components that have been successfully leak tested is not required, provided the weld is examined in-process in accordance with para. 344.7 and passes the required 100% radiographic examination in accordance with para. K341.4.2.

### **K345.3 Preparation for Leak Test**

Paragraph 345.3 applies in its entirety.

### **K345.4 Hydrostatic Leak Test**

Paragraph 345.4.1 applies. See paras. K345.4.2 and K345.4.3 below.

#### **K345.4.2 Test Pressure for Components and Welds.**

The hydrostatic test pressure shall be as calculated in paras. 345.4.2(a) and (b), excluding the limitation of 6.5 for the maximum value of  $R_r$ , and using allowable stresses from Table K-1 rather than stress values from Table A-1.

**K345.4.3 Hydrostatic Test of Piping With Vessels as a System.** Paragraph 345.4.3(a) applies.

### **K345.5 Pneumatic Leak Test**

Paragraph 345.5 applies, except para. 345.5.4. See para. K345.5.4 below.

**K345.5.4 Test Pressure.** The pneumatic test pressure for components and welds shall be identical to

that required for the hydrostatic test in accordance with para. K345.4.2.

### **K345.6 Hydrostatic-Pneumatic Leak Test for Components and Welds**

If a combination hydrostatic-pneumatic leak test is used, the requirements of para. K345.5 shall be met, and the pressure in the liquid-filled part of the piping shall not exceed the limits stated in para. K345.4.2.

## **K346 RECORDS**

### **K346.1 Responsibility**

It is the responsibility of the piping designer, the manufacturer, the fabricator, and the erector, as applicable, to prepare the records required by this Chapter and by the engineering design.

### **K346.2 Required Records**

(12)

At least the following records, as applicable, shall be provided to the owner or the Inspector by the person responsible for their preparation:

- (a) the engineering design
- (b) material certifications
- (c) procedures used for fabrication, welding, heat treatment, examination, and testing
- (d) repair records of materials and piping components listed in Table K326.1 or unlisted components in accordance with para. K302.2.3(a), including the welding procedure used for each, and location of repairs
- (e) performance qualifications for welders and welding operators
- (f) qualifications of examination personnel
- (g) records of examination of pipe and tubing for longitudinal defects as specified in paras. K344.6.2(c) and K344.8.3, as applicable

### **K346.3 Retention of Records**

The owner shall retain one set of the required records for at least 5 years after they are received.

# Chapter X

## High Purity Piping

### U300 GENERAL STATEMENTS

(a) Chapter X pertains to piping designated by the owner as being in High Purity Fluid Service. See also Appendix M.

(b) The organization, content, and paragraph designations of this Chapter correspond to those of the base Code (Chapters I through VI), Chapter VII, and Chapter VIII. The prefix U is used to designate Chapter X requirements.

(c) Provisions and requirements of the base Code, Chapter VII, and Chapter VIII apply only as stated in this Chapter.

(d) For piping not in High Purity Fluid Service, Code requirements are found in Chapters I through IX.

(e) *High Purity Piping*. Chapter X provides alternative rules for design and construction of piping designated by the owner as being High Purity Fluid Service.

(1) These rules apply only when specified by the owner, and only as a whole, not in part.

(2) Chapter X rules do not provide for High Pressure Fluid Service.

(3) Chapter VII applies to nonmetallic piping and piping lined with nonmetals in High Purity Fluid Service.

(f) Chapter I applies.

#### PART 1 CONDITIONS AND CRITERIA

Chapter II, Part 1 applies. See para. U301.3.2(b)(5).

##### U301.3.2 Uninsulated Components

(b)(5) compression, face seal, and hygienic clamped fittings and joints: 100% of the fluid temperature

#### PART 2 PRESSURE DESIGN OF PIPING COMPONENTS

Chapter II, Part 2 applies. See Fig. U304.5.3 for representative configuration for metal face seal blanks.

#### PART 3 FLUID SERVICE REQUIREMENTS FOR PIPING COMPONENTS

Chapter II, Part 3 applies. See paras. U306.6, U307.3, and U308.

##### U306.6 Tube Fittings

(a) Tube fittings not listed in Table 326.1 or Appendix A shall meet the pressure design requirements described in para. 302.2.3 and the mechanical strength requirements described in para. 303.

(b) Compression-type tube fittings may be used in accordance with para. U315.2 provided that the type of fitting selected complies with the following:

(1) The gripping action of the fitting shall provide vibration resistance as demonstrated by exhibiting a stress intensity factor equal to or less than 1.5.

(2) Intermixing of components from different manufacturers is permitted only when specified in the engineering design.

(c) Face seal or hygienic clamped-type fittings in which the tightness of the joint is provided by a seating surface other than the threads (e.g., a metal face-seal fitting comprising internal and external threaded components, glands, and gasket or other constructions shown typically in Fig. U335.7.1) may be used.

### U307.3 High Purity Fluid Service Valves

Valves such as ball, bellows, and diaphragm valves designed for High Purity Fluid Service that are not listed in Table 326.1 shall meet the pressure design requirements described in para. 302.2.2 and the mechanical strength requirements described in para. 303.

### U308 FLANGES, BLANKS, FLANGE FACINGS, AND GASKETS

Flanges should be avoided whenever possible. When flanges are utilized, para. 308 applies, except expanded joint flanges described in para. 308.2.2 are not permitted.

#### PART 4 FLUID SERVICE REQUIREMENTS FOR PIPING JOINTS

Chapter II, Part 4 applies, except expanded joints, flared tube fittings, and caulked joints, described in paras. 313, 315, and 316, respectively, are not permitted. See paras. U311, U311.1(c), U314, and U315.

### U311 WELDED JOINTS

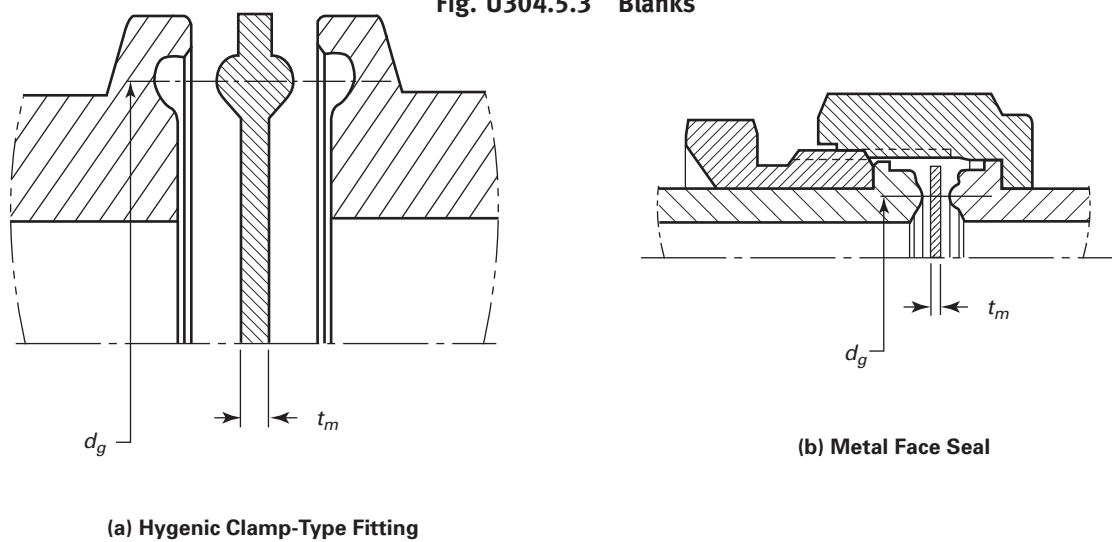
Paragraph 311 applies, except for para. 311.1(c). See para. U311.1(c).

#### U311.1 General

(c) Examination shall be in accordance with para. U341.4.1.



Fig. U304.5.3 Blanks

**U314 THREADED JOINTS**

Threaded joints should be avoided whenever possible. When threaded joints are utilized, para. 314 applies.

**U315 TUBING JOINTS**

Paragraph 315 applies. See paras. U315.1, U315.2(c), and U315.3.

**U315.1 General**

In selecting and applying compression, face seal, and hygienic clamp-type tube fittings, the designer shall consider the possible adverse effects on the joints of such factors as assembly and disassembly, cyclic loading, vibration, shock, and thermal expansion and contraction. See para. F315.

**U315.2 Joints Conforming to Listed Standards**

(c) Joints using compression, face seal, hygienic clamp, and automatic welding tube fittings covered by listed standards may be used.

**U315.3 Joints Not Conforming to Listed Standards**

(a) Compression-type tube fitting joints shall be fully gaugeable on initial installation to ensure sufficient tightening.

(b) Safeguarding is required for face seal or hygienic clamped-type joints used under severe cyclic conditions.

**PART 5  
FLEXIBILITY AND SUPPORT**

Chapter II, Part 5 applies.

**PART 6  
SYSTEMS**

Chapter II, Part 6 applies.

**PART 7  
METALLIC MATERIALS**

The provisions and requirements in Chapter III for materials apply. Materials commonly used in high purity process piping systems include austenitic, ferritic, and duplex stainless steels, and nickel and nickel alloys.

**PART 8  
STANDARDS FOR PIPING COMPONENTS**

Chapter IV applies.

**PART 9  
FABRICATION, ASSEMBLY, AND ERECTION****U327 GENERAL**

Metallic piping materials and components are prepared for assembly and erection by one or more of the fabrication processes covered in paras. U328, U330, U331, and U332. When any of these processes is used in assembly or erection, requirements are the same as for fabrication.

**(12) U328 WELDING**

Paragraph 328 applies, except for paras. 328.3.2, 328.5.4, and 328.5.5. See paras. U328.2.1(g), U328.2.1(h), and U328.5.1(g).

**(12) U328.2.1 Qualification Requirements**

(g) A change in the type or nominal composition of the backing (purge) gas shall require requalification.

(h) The welding process shall be orbital GTAW, except for tack welds. Tack welds made prior to orbital welding may be manual GTAW.

**U328.5 Welding Requirements****U328.5.1 General**

(g) Tack welds shall be fully consumed after completion of the weld. Tack welds shall be made by a qualified welder or welding operator.

**U330 PREHEATING**

Paragraph 330 applies.

**U331 HEAT TREATMENT**

Paragraph 331 applies.

**U332 BENDING AND FORMING**

Paragraph 332 applies in its entirety.

**U333 BRAZING AND SOLDERING**

Brazing and soldering are not permitted.

**U335 ASSEMBLY AND ERECTION**

Paragraph 335 applies, except for paras. 335.4.1, 335.5, and 335.6. See paras. U335.7 and U335.8.

**U335.7 Face Seal Joints**

**U335.7.1 Metal Face Seal.** Metal face seal joints shall be installed and assembled in accordance with manufacturer's instructions. See Fig. U335.7.1, drawing (a).

**U335.7.2 Nonmetallic Face Seal.** Nonmetallic face seal joints shall be installed and assembled in accordance with manufacturer's instructions. Care shall be taken to avoid distorting the seal when incorporating such joints into piping assemblies by welding. See Fig. U335.7.1, drawing (b).

**U335.8 Hygienic Clamp**

Hygienic clamp joints shall be installed and assembled in accordance with manufacturer's instructions. Care

shall be taken to avoid distorting the seal when incorporating such joints into piping assemblies by welding. See Fig. U335.8.

**PART 10  
INSPECTION, EXAMINATION, AND TESTING**

**U340 INSPECTION**

Paragraph 340 applies in its entirety.

**U341 EXAMINATION**

Paragraph 341 applies. See paras. U341.3.2 and U341.4.1.

**U341.3.2 Acceptance Criteria.** Where weld coupon examination is specified in the engineering design, acceptance criteria shall be as stated in the referencing Code or standard (e.g., ASME BPE or SEMI) and shall at least meet the applicable requirements in para. 341.3.2.

**U341.4 Extent of Required Examination**

**U341.4.1 Examination.** A weld coupon examination in accordance with para. U344.8 may be used in lieu of the 5% random radiography/ultrasonic examination required in para. 341.4.1(b)(1) when the following are employed in fabrication: (12)

- (a) autogenous automatic orbital welding
- (b) automatic orbital welding with the use of consumable insert rings

**U341.4.5 Weld Coupon Examination.** Weld coupons shall be made and examined in accordance with para. U344.8 when any of the following conditions exist:

- (a) beginning of shift
- (b) change of purge source
- (c) change of power supply
- (d) change of equipment, e.g., weld head, weld-head extensions, tungsten
- (e) anytime there is a weld defect

**U342 EXAMINATION PERSONNEL**

Paragraph 342 applies in its entirety. See para. U342.2(a).

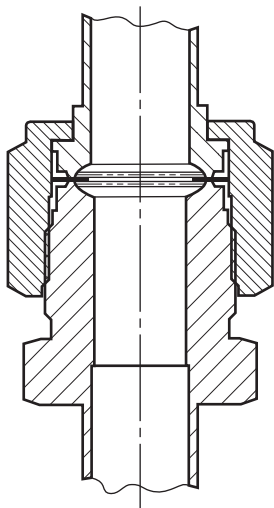
**U342.2 Specific Requirement**

- (a) For weld coupon examination
  - (1) the examinations shall be performed by personnel other than those performing the production work or
  - (2) with the owner's approval, the personnel performing the production work shall be permitted to perform the examination, provided the personnel meet the personnel qualification and certification requirements in para. 342.1

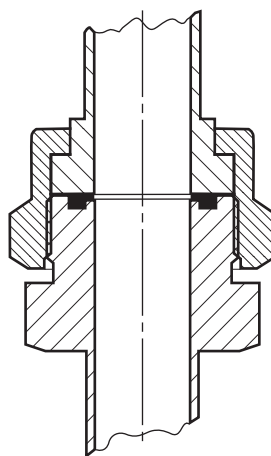
**U343 EXAMINATION PROCEDURES**

Paragraph 343 applies.

**Fig. U335.7.1 Face Seal Joints**

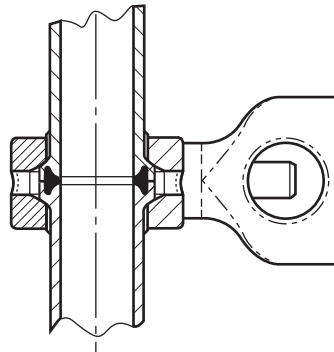
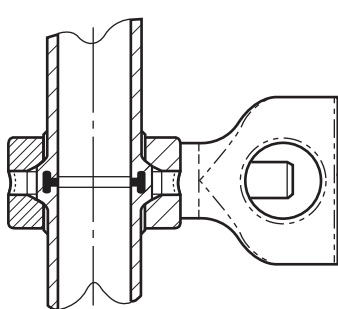


**(a) Metal Face Seal**



**(b) Nonmetallic Face Seal**

**Fig. U335.8 Hygienic Clamp**



**U344 TYPES OF EXAMINATION**

Paragraph 344 applies. See paras. U344.2 and U344.8.

**U344.2 Visual Examination**

Paragraph 344.2 applies, except in addition to the method described in para. 344.2.2, borescopic examination shall be acceptable.

**U344.8 Weld Coupon Examination**

- (12) **U344.8.1 Definition.** Weld coupon examination comprises examination on the inside and outside surfaces of weld coupons for the following:

- (a) alignment
- (b) weld penetration
- (c) weld bead width variation
- (d) weld bead meander
- (e) discoloration
- (f) weld defects, e.g., cracks, porosity, or sulfur stringers

- (12) **U344.8.2 Method.** A weld coupon shall be made to allow visual examination in accordance with para. U344.2 unless otherwise specified in the engineering design. To allow direct visual examination of inside surfaces, the weld coupon may be cut or a suitable indirect visual examination method (e.g., borescopic examination) may be used.

**U345 TESTING**

Paragraph 345 applies in its entirety. See paras. U345.1 and U345.8.

**U345.1 Required Leak Test**

Paragraph 345.1 applies, except the preferred test method is pneumatic.

- (a) At the owner's option, a helium mass spectrometer test in accordance with para. U345.8.1 may be used in lieu of the pneumatic leak test described in para. 345.5.

**U345.8 Sensitive Leak Test**

Paragraph 345.8 applies, except the helium mass spectrometer test described in para. U345.8.1 is also an acceptable method.

**U345.8.1 Helium Mass Spectrometer Test.** The test shall be one of the following methods and performed in accordance with the following:

- (a) For pressurized systems, the test shall be in accordance with BPV Code Section V, Article 10, Appendix IV (Helium Mass Spectrometer — Detector Probe Technique).

(1) The test pressure shall be the lesser of 105 kPa (15 psig) gage, or 25% of the design pressure.

(2) Prior to testing, the test pressure shall be held a minimum of 30 min.

(3) Unless otherwise specified in the engineering design, the system tested is acceptable when no leakage is detected that exceeds the allowable leakage rate of  $1 \times 10^{-4}$  std cc/s.

(b) For evacuated systems, the test shall be in accordance with BPV Code Section V, Article 10, Appendix V (Helium Mass Spectrometer Test — Tracer Probe Technique).

(1) The piping system shall be evacuated to an absolute pressure sufficient for connection of the helium mass spectrometer to the system.

(2) Unless otherwise specified in the engineering design, the system tested is acceptable when no leakage is detected that exceeds the allowable leakage rate of  $1 \times 10^{-5}$  std cc/s.

**U345.9 Alternative Leak Test**

Paragraph 345.9 applies, except welds may be examined by weld coupon examination method in accordance with para. U341.4.5 and the test method may be helium mass spectrometer test in accordance with para. U345.8.1.

**U346 RECORDS****U346.2 Responsibility**

It is the responsibility of the piping designer, the manufacturer, the fabricator, and the erector, as applicable, to prepare the records required by this Code, ASME BPE, SEMI, or other industry standard as specified in the engineering design.

**U346.3 Retention of Records**

Paragraph 346.3 applies.

**PART 11  
HIGH PURITY PIPING IN CATEGORY M  
FLUID SERVICE**

**UM300 GENERAL STATEMENTS**

(a) Chapter X, Part 11 pertains to piping designated by the owner as being high purity piping in Category M Fluid Service. See also Appendix M.

(b) The organization, content, and paragraph designations of these Parts correspond to those of Chapter VIII. The prefix UM is used.

(c) Paragraphs M300(d), (e), and (f) apply.

(d) Provisions and requirements of Chapter VIII apply with the additional requirements in paras. UM307, UM307.2, UM322, UM322.3, UM328, UM335, UM335.3.3, UM341, UM341.4(b)(1) and (2), and UM345(b).

**UM307 METALLIC VALVES AND SPECIALTY COMPONENTS**

Paragraph M307 applies in its entirety. See para. UM307.2(c).

**UM307.2 Specific Requirements**

(c) Bellows or diaphragm sealed type valves shall be used.

**UM322 SPECIFIC PIPING SYSTEMS**

Paragraph M322 applies, except for para. M322.3(c). See para. UM322.3(c).

**UM322.3 Instrument Piping**

(c) joining methods shall conform to the requirements of para. U315

**UM328 WELDING OF MATERIALS**

Welding shall be in accordance with paras. M311.1 and U328, except examination shall be in accordance with UM341.

**UM335 ASSEMBLY AND ERECTION OF METALLIC PIPING**

Paragraph M335 applies, except for para. M335.3.3. See para. UM335.3.3.

**UM335.3.3 Straight-Threaded Joints.** The requirements of para. M335.3.3 are subject to the limitations in para. UM322.

**UM341 EXAMINATION**

Paragraph M341 applies. See paras. UM341.4(b)(1) and (2).

**UM341.4 Extent of Required Examination***(b) Other Examination*

(1) The 20% random radiography/ultrasonic examination required in para. M341.4(b)(1) applies.

(2) The in-process examination alternative permitted in M341.4(b)(2) applies, except a weld coupon examination in accordance with para. U344.8 is also an acceptable substitute when specified in the engineering design or by the Inspector.

**UM345 TESTING**

Paragraph M345(a) applies. See para. UM345(b).

(b) A sensitive leak test in accordance with para. U345.8 shall be included in the required leak test (para. U345.1).

INTENTIONALLY LEFT BLANK

**APPENDIX A**  
**ALLOWABLE STRESSES AND QUALITY FACTORS FOR METALLIC**  
**PIPING AND BOLTING MATERIALS**

Begins on the next page.

Copyright ASME International

(12)

## Specification Index for Appendix A

Spec. No.	Title	Spec. No.	Title
<b>ASTM</b>		<b>ASTM (Cont'd)</b>	
A36	Carbon Structural Steel	A299	Pressure Vessel Plates, Carbon Steel, Manganese-Silicon
A47	Ferritic Malleable Iron Castings		
A48	Gray Iron Castings		
A53	Pipe, Steel, Black and Hot-Dipped, Zinc Coated, Welded and Seamless	A302	Pressure Vessel Plates, Alloy Steel, Manganese-Molybdenum and Manganese-Molybdenum-Nickel
		A307	Carbon Steel Bolts and Studs, 60,000 PSI Tensile Strength
A105	Carbon Steel Forgings, for Piping Applications	A312	Seamless, Welded, and Heavily Cold Worked Austenitic Stainless Steel Pipe
A106	Seamless Carbon Steel Pipe for High-Temperature Service	A320	Alloy-Steel and Stainless Steel Bolting Materials for Low-Temperature Service
A126	Gray Cast Iron Castings for Valves, Flanges, and Pipe Fittings	A325	Structural Bolts, Steel, Heat Treated, 120/105 ksi Minimum Tensile Strength
A134	Pipe, Steel, Electric-Fusion (Arc)-Welded (Sizes NPS 16 and Over)	A333	Seamless and Welded Steel Pipe for Low-Temperature Service
A135	Electric-Resistance-Welded Steel Pipe	A334	Seamless and Welded Carbon and Alloy-Steel Tubes for Low-Temperature Service
A139	Electric-Fusion (Arc)-Welded Steel Pipe (NPS 4 and Over)	A335	Seamless Ferritic Alloy Steel Pipe for High-Temperature Service
A167	Stainless and Heat-Resisting Chromium-Nickel Steel Plate, Sheet and Strip	A350	Carbon and Low-Alloy Steel Forgings, Requiring Notch Toughness Testing for Piping Components
A179	Seamless Cold-Drawn Low-Carbon Steel Heat-Exchanger and Condenser Tubes	A351	Castings, Austenitic, for Pressure-Containing Parts
A181	Carbon Steel Forgings for General Purpose Piping	A352	Steel Castings, Ferritic and Martensitic, for Pressure-Containing Parts Suitable for Low-Temperature Service
A182	Forged or Rolled Alloy and Stainless Steel Pipe Flanges, Forged Fittings, and Valves and Parts for High Temperature Service	A353	Pressure Vessel Plates, Alloy Steel, 9 Percent Nickel, Double Normalized and Tempered
A193/A193M	Alloy-Steel and Stainless Steel Bolting Materials for High Temperature or High Pressure Service and Other Special Purpose Applications	A354	Quenched and Tempered Alloy Steel Bolts, Studs, and Other Externally Threaded Fasteners
A194/A194M	Carbon and Alloy Steel Nuts for Bolts for High Pressure or High Temperature Service, or Both	A358	Electric-Fusion-Welded Austenitic Chromium-Nickel Alloy Stainless Steel Pipe for High-Temperature Service and General Applications
A197	Cupola Malleable Iron	A369	Carbon and Ferritic Alloy Steel Forged and Bored Pipe for High-Temperature Service
A202	Pressure Vessel Plates, Alloy Steel, Chromium-Manganese-Silicon	A376	Seamless Austenitic Steel Pipe for High-Temperature Central-Station Service
A203	Pressure Vessel Plates, Alloy Steel, Nickel	A381	Metal-Arc-Welded Steel Pipe for Use with High-Pressure Transmission Systems
A204	Pressure Vessel Plates, Alloy Steel, Molybdenum	A387	Pressure Vessel Plates, Alloy Steel, Chromium-Molybdenum
A213	Seamless Ferritic and Austenitic Alloy-Steel Boiler, Superheater, and Heat-Exchanger Tubes	A395	Ferritic Ductile Iron Pressure-Retaining Castings for Use at Elevated Temperatures
A216	Steel Castings, Carbon, Suitable for Fusion Welding for High-Temperature Service	A403	Wrought Austenitic Stainless Steel Piping Fittings
A217	Steel Castings, Martensitic Stainless and Alloy, for Pressure-Containing Parts Suitable for High-Temperature Service	A409	Welded Large Diameter Austenitic Steel Pipe for Corrosive or High-Temperature Service
A234	Piping Fittings of Wrought Carbon Steel and Alloy Steel for Moderate and High Temperatures	A420	Piping Fittings of Wrought Carbon Steel and Alloy Steel for Low-Temperature Service
A240	Chromium and Chromium-Nickel Stainless Steel Plate, Sheet, and Strip for Pressure Vessels	A426	Centrifugally Cast Ferritic Alloy Steel Pipe for High-Temperature Service
A268	Seamless and Welded Ferritic and Martensitic Stainless Steel Tubing for General Service	A437	Alloy-Steel Turbine-Type Bolting Material Specifically Heat Treated for High-Temperature Service
A269	Seamless and Welded Austenitic Stainless Steel Tubing for General Service	A451	Centrifugally Cast Austenitic Steel Pipe for High-Temperature Service
A278	Gray Iron Castings for Pressure-Containing Parts for Temperatures Up to 650°F (350°C)	A453	High Temperature Bolting Materials, with Expansion Coefficients Comparable to Austenitic Stainless Steels
A283	Low and Intermediate Tensile Strength Carbon Steel Plates		
A285	Pressure Vessel Plates, Carbon Steel, Low- and Intermediate-Tensile Strength		



## Specification Index for Appendix A (Cont'd)

(12)

Spec. No.	Title	Spec. No.	Title
<b>ASTM (Cont'd)</b>		<b>ASTM (Cont'd)</b>	
A479	Stainless Steel Bars and Shapes for Use in Boilers and Other Pressure Vessels	B96	Copper-Silicon Alloy Plate, Sheet, Strip, and Rolled Bar for General Purposes and Pressure Vessels
A487	Steel Castings Suitable for Pressure Service	B98	Copper-Silicon Alloy Rod, Bar and Shapes
A494	Castings, Nickel and Nickel Alloy	B127	Nickel-Copper Alloy (UNS N04400) Plate, Sheet, and Strip
A515	Pressure Vessel Plates, Carbon Steel, for Intermediate- and Higher-Temperature Service	B133	Copper Rod, Bar and Shapes
A516	Pressure Vessel Plates, Carbon Steel, for Moderate- and Lower-Temperature Service	B148	Aluminum-Bronze Sand Castings
A524	Seamless Carbon Steel Pipe for Atmospheric and Lower Temperatures	B150	Aluminum-Bronze Rod, Bar and Shapes
A537	Pressure Vessel Plates, Heat-Treated, Carbon-Manganese-Silicon Steel	B152	Copper Sheet, Strip, Plate and Rolled Bar
A553	Pressure Vessel Plates, Alloy Steel, Quenched and Tempered 8 and 9 Percent Nickel	B160	Nickel Rod and Bar
A563	Carbon and Alloy Steel Nuts	B161	Nickel Seamless Pipe and Tube
A570	Steel Sheet and Strip, Carbon Hot-Rolled	B162	Nickel Plate, Sheet and Strip
A571	Austenitic Ductile Iron Castings for Pressure-Containing Parts Suitable for Low-Temperature Service	B164	Nickel-Copper Alloy Rod, Bar and Wire
A587	Electric-Resistance-Welded Low-Carbon Steel Pipe for the Chemical Industry	B165	Nickel-Copper Alloy (UNS N04400) Seamless Pipe and Tube
A645	Pressure Vessel Plates, Five Percent Nickel Alloy Steel, Specially Heat Treated	B166	Nickel-Chromium-Iron Alloys (UNS N06600, N06601, N06603, N06690, N06693, N06025, and N06045)*and Nickel-Chromium-Cobalt-Molybdenum Alloy (UNS N06617) Rod, Bar, and Wire
A671	Electric-Fusion-Welded Steel Pipe for Atmospheric and Lower Temperatures	B167	Nickel-Chromium-Iron Alloys (UNS N06600, N06601, N06603, N06690, N06693, N06025, and N06045)* and Nickel-Chromium-Cobalt-Molybdenum Alloy (UNS N06617) Seamless Pipe and Tube
A672	Electric-Fusion-Welded Steel Pipe for High-Pressure Service at Moderate Temperatures	B168	Nickel-Chromium-Iron Alloys (UNS N06600, N06601, N06603, N06690, N06693, N06025, and N06045)* and Nickel-Chromium-Cobalt-Molybdenum Alloy (UNS N06617) Plate, Sheet, and Strip
A675	Steel Bars, Carbon, Hot-Wrought, Special Quality, Mechanical Properties	B169	Aluminum-Bronze Sheet, Strip, and Rolled Bar
A691	Carbon and Alloy Steel Pipe, Electric Fusion-Welded for High-Pressure Service at High Temperatures	B171	Copper-Alloy Plate and Sheet for Pressure Vessels, Condensers, and Heat Exchangers
A789	Seamless and Welded Ferritic/Austenitic Stainless Steel Tubing for General Service	B187	Copper, Bus Bar, Rod, and Shapes and General Purpose Rod, Bar, and Shapes
A790	Seamless and Welded Ferritic/Austenitic Stainless Steel Pipe	B209	Aluminum and Aluminum-Alloy Sheet and Plate
A815	Wrought Ferritic, Ferritic/Austenitic, and Martensitic Stainless Steel Piping Fittings	B210	Aluminum and Aluminum-Alloy Drawn Seamless Tubes
A992	Structural Steel Shapes	B211	Aluminum and Aluminum-Alloy Bars, Rods, and Wire
A1010	Higher Strength Martensitic Stainless Steel Plate, Sheet, and Strip	B221	Aluminum and Aluminum-Alloy Extruded Bars, Rods, Wire, Profiles, and Tubes
A1053	Welded Ferritic-Martensitic Stainless Steel Pipe	B241	Aluminum and Aluminum-Alloy Seamless Pipe and Seamless Extruded Tube
B21	Naval Brass Rod, Bar, and Shapes	B247	Aluminum and Aluminum-Alloy Die Forgings, Hand Forgings, and Rolled Ring Forgings
B26	Aluminum-Alloy Sand Castings	B265	Titanium and Titanium Alloy Strip, Sheet, and Plate
B42	Seamless Copper Pipe, Standard Sizes	B280	Seamless Copper Tube for Air Conditioning and Refrigeration Field Service
B43	Seamless Red Brass Pipe, Standard Sizes	B283	Copper and Copper-Alloy Die Forgings (Hot-Pressed)
B61	Steam or Valve Bronze Castings	B333	Nickel-Molybdenum Alloy Plate, Sheet, and Strip
B62	Composition Bronze or Ounce Metal Castings	B335	Nickel-Molybdenum Alloy Rod
B68	Seamless Copper Tube, Bright Annealed	B338	Seamless and Welded Titanium and Titanium Alloy Tubes for Condensers and Heat Exchangers
B75	Seamless Copper Tube	B345	Aluminum and Aluminum-Alloy Seamless Pipe and Seamless Extruded Tube for Gas and Oil Transmission and Distribution Piping Systems
B88	Seamless Copper Water Tube		

(12)

## Specification Index for Appendix A (Cont'd)

Spec. No.	Title	Spec. No.	Title
<b>ASTM (Cont'd)</b>		<b>ASTM (Cont'd)</b>	
B361	Factory-Made Wrought Aluminum and Aluminum-Alloy Welding Fittings	B523	Seamless and Welded Zirconium and Zirconium Alloy Tubes
B363	Seamless and Welded Unalloyed Titanium and Titanium Alloy Welding Fittings	B547	Aluminum and Aluminum-Alloy Formed and Arc-Welded Round Tube
B366	Factory-Made Wrought Nickel and Nickel Alloy Fittings	B550	Zirconium and Zirconium Alloy Bar and Wire
B371	Copper-Zinc-Silicon Alloy Rod	B551	Zirconium and Zirconium Alloy Strip, Sheet, and Plate
B381	Titanium and Titanium Alloy Forgings	B564	Nickel Alloy Forgings
B407	Nickel-Iron-Chromium Alloy Seamless Pipe and Tube	B574	Low-Carbon Nickel-Molybdenum-Chromium Alloy Rod
B409	Nickel-Iron-Chromium Alloy Plate, Sheet, and Strip	B575	Low-Carbon Nickel-Molybdenum-Chromium Alloy Plate, Sheet and Strip
B423	Nickel-Iron-Chromium-Molybdenum-Copper Alloy (UNS N08825 and N08221) Seamless Pipe and Tube	B581	Nickel-Chromium-Iron-Molybdenum-Copper Alloy Rod
B424	Nickel-Iron-Chromium-Molybdenum-Copper Alloy (UNS N08825 and N08221) Plate, Sheet and Strip	B582	Nickel-Chromium-Iron-Molybdenum-Copper Alloy Plate, Sheet and Strip
B425	Nickel-Iron-Chromium-Molybdenum-Copper Alloy (UNS N08825 and N08221) Rod and Bar	B584	Copper Alloy Sand Castings for General Applications
B435	UNS N06022, UNS N06230, and UNS R30556 Plate, Sheet, and Strip	B619	Welded Nickel and Nickel-Cobalt Alloy Pipe
B443	Nickel-Chromium-Molybdenum-Columbium Alloy (UNS N06625) and Nickel-Chromium-Molybdenum-Silicon Alloy (UNS N06219)* Plate, Sheet, and Strip	B620	Nickel-Iron-Chromium-Molybdenum Alloy (UNS N08320) Plate, Sheet and Strip
B444	Nickel-Chromium-Molybdenum-Columbium Alloys (UNS N06625 and UNS N06852) and Nickel-Chromium-Molybdenum-Silicon Alloy (UNS N06219) Pipe and Tube	B621	Nickel-Iron-Chromium-Molybdenum Alloy (UNS N08320) Rod
B446	Nickel-Chromium-Molybdenum-Columbium Alloy (UNS N06625), Nickel-Chromium-Molybdenum-Silicon Alloy (UNS N06219), and Nickel-Chromium-Molybdenum-Tungsten Alloy (UNS N06650)* Rod and Bar	B622	Seamless Nickel and Nickel-Cobalt Alloy Pipe and Tube
B462	Forged or Rolled UNS N06030, UNS N06022, UNS N06035, UNS N06200, UNS N06059, UNS N06686, UNS N08020, UNS N08024, UNS N08026, UNS N08367, UNS N10276, UNS N10665, UNS N10675, UNS N10629, UNS N08031, UNS N06045, UNS N06025, and UNS R20033 Alloy Pipe Flanges, Forged Fittings, and Valves and Parts for Corrosive High-Temperature Service	B625	Nickel Alloy Plate and Sheet
B463	UNS N08020, UNS N08026, and UNS N08024 Alloy Plate, Sheet, and Strip	B626	Welded Nickel and Nickel-Cobalt Alloy Tube
B464	Welded UNS N08020, N08024, and N08026 Alloy Pipe	B649	Ni-Fe-Cr-Mo-Cu Low Carbon Alloy (UNS N08904) and Ni-Fe-Cr-Mo-Cu-N Low Carbon Alloy UNS N08925, UNS N08031, and UNS N08926) Bar and Wire
B466	Seamless Copper-Nickel Pipe and Tube	B658	Seamless and Welded Zirconium and Zirconium Alloy Pipe
B467	Welded Copper-Nickel Pipe	B675	UNS N08366 and UNS N08367 Welded Pipe
B491	Aluminum and Aluminum Alloy Extruded Round Tubes for General-Purpose Applications	B688	Chromium-Nickel-Molybdenum-Iron (UNS N08366 and UNS N08367) Plate, Sheet, and Strip
B493	Zirconium and Zirconium Alloy Forgings	B690	Iron-Nickel-Chromium-Molybdenum Alloys (UNS N08366 and UNS N08367) Seamless Pipe and Tube
B514	Welded Nickel-Iron-Chromium Alloy Pipe	B705	Nickel-Alloy (UNS N06625 and N08825) Welded Pipe
B517	Welded Nickel-Chromium-Iron Alloy (UNS N06600, UNS N06603, UNS N06025, and UNS N06045) Pipe	B725	Welded Nickel (UNS N02200/UNS N02201) and Nickel-Copper Alloy (UNS N04400) Pipe
		B729	Seamless UNS N08020, UNS N08026, UNS N08024 Nickel-Alloy Pipe and Tube
		B804	UNS N08367 Welded Pipe
		B861	Titanium and Titanium Alloy Seamless Pipe
		B862	Titanium and Titanium Alloy Welded Pipe
		E112	Methods for Determining Average Grain Size
		<b>API</b>	
		5L	Line Pipe

GENERAL NOTE: It is not practical to refer to a specific edition of each standard throughout the Code text. Instead, the approved edition references, along with the names and addresses of the sponsoring organizations, are shown in Appendix E.

# NOTES FOR TABLES A-1, A-1A, A-1B, A-1M, A-2, AND A-2M

(12)

## GENERAL NOTES:

- (a) The allowable stress values, P-Number assignments, weld joint and casting quality factors, and minimum temperatures in Tables A-1, A-1A, A-1B, and A-2, together with the referenced Notes in the stress tables, are requirements of this Code.
- (b) Notes (1) through (6) are referenced in table headings and in headings for material type and product form; Notes (8) and following are referenced in the Notes column for specific materials. Notes marked with an asterisk (\*) restate requirements found in the text of the Code.
- (c) At this time, metric equivalents are partly provided in Tables A-1M and A-2M. For this Edition, the metric values in Tables A-1M and A-2M are for information only. The values in Tables A-1 and A-2 are the required values. To convert stress values in Tables A-1 and A-2 to MPa at a given temperature in °C, determine the equivalent temperature in °F and interpolate to calculate the stress value in ksi at the given temperature. Multiply that value by 6.895 to determine basic allowable stress,  $S$ , in MPa at the given temperature.
- (d) For copper and copper alloys, the following symbols are used in the Temper column: H = drawn; H01 = quarter hard; H02 = half hard; H06 = extra hard; H55 = light drawn; H58 = drawn, general purpose; H80 = hard drawn; HR50 = drawn, stress relieved; O25 = hot rolled, annealed; O50 = light annealed; O60 = soft annealed; O61 = annealed; WO50 = welded, annealed; and WO61 = welded, fully finished, annealed.
- (e) For nickel and nickel alloys, the following abbreviations are used in the Class column: ann., annealed; C.D., cold worked; forg., forged; H.F., hot worked; H.R., hot rolled; plt., plate; R., rolled; rel., relieved; sol., solution; str., stress; and tr., treated.

## NOTES:

- (1) \*The stress values in Table A-1 and the design stress values in Table A-2 are basic allowable stresses in tension in accordance with para. 302.3.1(a). For pressure design, the stress values from Table A-1 are multiplied by the appropriate quality factor  $E$  ( $E_c$  from Table A-1A or  $E_j$  from Table A-1B). Stress values in shear and bearing are stated in para. 302.3.1(b); those in compression in para. 302.3.1(c).
- (2) \*The quality factors for castings  $E_c$  in Table A-1A are basic factors in accordance with para. 302.3.3(b). The quality factors for longitudinal weld joints  $E_j$  in Table A-1B are basic factors in accordance with para. 302.3.4(a). See paras. 302.3.3(c) and 302.3.4(b) for enhancement of quality factors. See also para. 302.3.1(a), footnote 1.
- (3) The stress values for austenitic stainless steels in these Tables may not be applicable if the material has been given a final heat treatment other than that required by the material specification or by reference to Note (30) or (31).
- (4a) \*In Table A-1, stress values printed in *italics* exceed two-thirds of the expected yield strength at temperature. Stress values in **boldface** are equal to 90% of expected yield strength at temperature. See paras. 302.3.2(d)(3) and (e).
- (4b) \*In Table A-1M, stress values printed in *italics* are tensile-controlled values. Yield-controlled stress values are in normal font and time-dependent stress values are in **boldface**.
- (5) \*See para. 328.2.1(f) for description of P-Number groupings. P-Numbers are indicated by number or by a number followed by a letter (e.g., 8, 5B, or 11A).
- (6) \*The minimum temperature shown is that design minimum temperature for which the material is normally suitable without impact testing other than that required by the material specification. However, the use of a material at a design minimum temperature below  $-29^{\circ}\text{C}$  ( $-20^{\circ}\text{F}$ ) is established by rules elsewhere in this Code, including para. 323.2.2(a) and other impact test requirements. For carbon steels with a letter designation in the Min. Temp. column, see para. 323.2.2(b) and the applicable curve and Notes in Fig. 323.2.2A.
- (7) DELETED.
- (8) \*There are restrictions on the use of this material in the text of the Code as follows:
- (a) See para. 305.2.1; temperature limits are  $-29^{\circ}\text{C}$  to  $186^{\circ}\text{C}$  ( $-20^{\circ}\text{F}$  to  $366^{\circ}\text{F}$ ).
- (b) See para. 305.2.2; pipe shall be safeguarded when used outside the temperature limits in Note (8a).
- (c) See Table 323.2.2, Section B-2.
- (d) See para. 323.4.2(a).
- (e) See para. 323.4.2(b).
- (f) See para. 309.2.1.
- (g) See para. 309.2.2.
- (9) \*For pressure-temperature ratings of components made in accordance with standards listed in Table 326.1, see para. 326.2.1. Stress values in Table A-1 may be used to calculate ratings for unlisted components, and special ratings for listed components, as permitted by para. 303.
- (9a) Component standards listed in Table 326.1 impose the following restrictions on this material when used as a forging: composition, properties, heat treatment, and grain size shall conform to this specification: manufacturing procedures, tolerances, tests, certification, and markings shall be in accordance with ASTM B564.
- (10) \*This casting quality factor is applicable only when proper supplementary examination has been performed (see para. 302.3.3).
- (11) \*For use under this Code, radiography shall be performed after heat treatment.
- (12) \*Certain forms of this material, as stated in Table 323.2.2, must be impact tested to qualify for service below  $-29^{\circ}\text{C}$  ( $-20^{\circ}\text{F}$ ). Alternatively, if provisions for impact testing are included in the material specification as supplementary requirements and are invoked, the material may be used down to the temperature at which the test was conducted in accordance with the specification.
- (13) Properties of this material vary with thickness or size. Stress values are based on minimum properties for the thickness listed.
- (14) For use in Code piping at the stated stress values, the required minimum tensile and yield properties must be verified by tensile test. If such tests are not required by the

material specification, they shall be specified in the purchase order.

- (15) These stress values are established from a consideration of strength only and will be satisfactory for average service. For bolted joints where freedom from leakage over a long period of time without retightening is required, lower stress values may be necessary as determined from the flexibility of the flange and bolts and corresponding relaxation properties.
- (16) An  $E_j$  factor of 1.00 may be applied only if all welds, including welds in the base material, have passed 100% radiographic examination. Substitution of ultrasonic examination for radiography is not permitted for the purpose of obtaining an  $E_j$  of 1.00.
- (17) Filler metal shall not be used in the manufacture of this pipe or tube.
- (18) \*This specification does not include requirements for 100% radiographic inspection. If this higher joint factor is to be used, the material shall be purchased to the special requirements of Table 341.3.2 for longitudinal butt welds with 100% radiography in accordance with Table 302.3.4.
- (19) \*This specification includes requirements for random radiographic inspection for mill quality control. If the 0.90 joint factor is to be used, the welds shall meet the requirements of Table 341.3.2 for longitudinal butt welds with spot radiography in accordance with Table 302.3.4. This shall be a matter of special agreement between purchaser and manufacturer.
- (20) For pipe sizes  $\geq$  DN 200 (NPS 8) with wall thicknesses  $\geq$  Sch 140, the specified minimum tensile strength is 483 MPa (70 ksi).
- (21) For material thickness  $>$  127 mm (5 in.), the specified minimum tensile strength is 483 MPa (70 ksi).
- (21a) For material thickness  $>$  127 mm (5 in.), the specified minimum tensile strength is 448 MPa (65 ksi).
- (22) The minimum tensile strength for weld (qualification) and stress values shown shall be multiplied by 0.90 for pipe having an outside diameter less than 51 mm (2 in.) and a  $D/t$  value less than 15. This requirement may be waived if it can be shown that the welding procedure to be used will consistently produce welds that meet the listed minimum tensile strength of 165 MPa (24 ksi).
- (23) Lightweight aluminum alloy welded fittings conforming to dimensions in MSS SP-43 shall have full penetration welds.
- (24) Yield strength is not stated in the material specification. The value shown is based on yield strengths of materials with similar characteristics.
- (25) This steel may develop embrittlement after service at approximately 316°C (600°F) and higher temperature.
- (26) This unstabilized grade of stainless steel increasingly tends to precipitate intergranular carbides as the carbon content increases above 0.03%. See also para. F323.4(c)(2).
- (27) For temperatures above 427°C (800 °F), these stress values apply only when the carbon content is 0.04% or higher.
- (28) For temperatures above 538°C (1,000°F), these stress values apply only when the carbon content is 0.04% or higher.
- (29) The stress values above 538°C (1,000°F) listed here shall be used only when the steel's austenitic micrograin size, as defined in ASTM E112, is No. 6 or less (coarser grain). Otherwise, the lower stress values listed for the same material, specification, and grade shall be used.
- (30) For temperatures above 538°C (1,000°F), these stress values may be used only if the material has been heat treated at a temperature of 1 093°C (2,000°F) minimum.
- (31) For temperatures above 538°C (1,000°F), these stress values

may be used only if the material has been heat treated by heating to a minimum temperature of 1 038°C (1,900°F) and quenching in water or rapidly cooling by other means.

- (32) Stress values shown are for the lowest strength base material permitted by the specification to be used in the manufacture of this grade of fitting. If a higher strength base material is used, the higher stress values for that material may be used in design.
- (33) For welded construction with work hardened grades, use the stress values for annealed material; for welded construction with precipitation hardened grades, use the special stress values for welded construction given in the Tables.
- (34) If material is welded, brazed, or soldered, the allowable stress values for the annealed condition shall be used.
- (35) This steel is intended for use at high temperatures; it may have low ductility and/or low impact properties at room temperature after being used above the temperature indicated by para. F323.4(c)(4).
- (36) The specification permits this material to be furnished without solution heat treatment or with other than a solution heat treatment. When the material has not been solution heat treated, the minimum temperature shall be  $-29^{\circ}\text{C}$  ( $-20^{\circ}\text{F}$ ) unless the material is impact tested in accordance with para. 323.3.
- (37) Impact requirements for seamless fittings shall be governed by those listed in this Table for the particular base material specification in the grades permitted (A312, A240, and A182). When A276 materials are used in the manufacture of these fittings, the Notes, minimum temperatures, and allowable stresses for comparable grades of A240 materials shall apply.
- (38) DELETED.
- (39) This material when used below  $-29^{\circ}\text{C}$  ( $-20^{\circ}\text{F}$ ) shall be impact tested if the carbon content is above 0.10%.
- (40) \*This casting quality factor can be enhanced by supplementary examination in accordance with para. 302.3.3(c) and Table 302.3.3C. The higher factor from Table 302.3.3C may be substituted for this factor in pressure design equations.
- (41) Design stresses for the cold drawn temper are based on hot rolled properties until required data on cold drawn are submitted.
- (42) This is a product specification. No design stresses are necessary. Limitations on metal temperature for materials covered by this specification are:

Grade(s)	Metal Temperature, °C (°F)
1	-29 to 482 (-20 to 900)
2, 2H, and 2HM	-48 to 593 (-55 to 1,100)
3	-29 to 593 (-20 to 1,100)
4 [see Note (42a)]	-101 to 593 (-150 to 1,100)
6	-29 to 427 (-20 to 800)
7 and 7M [see Note (42a)]	-101 to 593 (-150 to 1,100)
8FA [see Note (39)]	-29 to 427 (-20 to 800)
8MA and 8TA	-198 to 816 (-325 to 1,500)
8, 8A, and 8CA	-254 to 816 (-425 to 1,500)

- (42a) When used below  $-46^{\circ}\text{C}$  ( $-50^{\circ}\text{F}$ ), this material shall be impact tested as required by A320 for Grade L7.

- (42b) This is a product specification. No design stresses are necessary. For limitations on usage, see paras. 309.2.1 and 309.2.2.

- (43) \*The stress values given for this material are not applicable when either welding or thermal cutting is employed [see para. 323.4.2(c)].
- (44) This material shall not be welded.
- (45) Stress values shown are applicable for “die” forgings only.
- (46) The letter “a” indicates alloys which are not recommended for welding and which, if welded, must be individually qualified. The letter “b” indicates copper base alloys which must be individually qualified.
- (47) If no welding is employed in fabrication of piping from these materials, the stress values may be increased to 230 MPa (33.3 ksi).
- (48) The stress value to be used for this gray cast iron material at its upper temperature limit of 232°C (450°F) is the same as that shown in the 204°C (400°F) column.
- (49) If the chemical composition of this Grade is such as to render it hardenable, qualification under P-No. 6 is required.
- (50) This material is grouped in P-No. 7 because its hardenability is low.
- (51) This material may require special consideration for welding qualification. See the BPV Code, Section IX, QW/QB-422. For use in this Code, a qualified WPS is required for each strength level of material.
- (52) Copper-silicon alloys are not always suitable when exposed to certain media and high temperature, particularly above 100°C (212°F). The user should satisfy himself that the alloy selected is satisfactory for the service for which it is to be used.
- (53) Stress relief heat treatment is required for service above 232°C (450°F).
- (54) The maximum operating temperature is arbitrarily set at 260°C (500°F) because hard temper adversely affects design stress in the creep rupture temperature ranges.
- (55) Pipe produced to this specification is not intended for high temperature service. The stress values apply to either nonexpanded or cold expanded material in the as-rolled, normalized, or normalized and tempered condition.
- (56) Because of thermal instability, this material is not recommended for service above 427°C (800°F).
- (57) Conversion of carbides to graphite may occur after prolonged exposure to temperatures over 427°C (800°F). See para. F323.4(b)(2).
- (58) Conversion of carbides to graphite may occur after prolonged exposure to temperatures over 468°C (875°F). See para. F323.4(b)(3).
- (59) For temperatures above 482°C (900°F), consider the advantages of killed steel. See para. F323.4(b)(4).
- (60) For all design temperatures, the maximum hardness shall be Rockwell C35 immediately under the thread roots. The hardness shall be taken on a flat area at least 3 mm (1/8 in.) across, prepared by removing threads. No more material than necessary shall be removed to prepare the area. Hardness determination shall be made at the same frequency as tensile tests.
- (61) Annealed at approximately 982°C (1,800°F).
- (62) Annealed at approximately 1 121°C (2,050°F).
- (63) For stress relieved tempers (T351, T3510, T3511, T451, T4510, T4511, T651, T6510, T6511), stress values for material in the listed temper shall be used.
- (64) The minimum tensile strength of the reduced section tensile specimen in accordance with the BPV Code, Section IX, QW-462.1, shall not be less than 758 MPa (110.0 ksi).

- (65) The minimum temperature shown is for the heaviest wall permissible by the specification. The minimum temperature for lighter walls shall be as shown in the following tabulation:

Impact Test Temp. (°C) for Plate Thicknesses Shown

Spec. No. & Grade	25 mm Max.	51 mm Max.	Over 51 to 76 mm
A203 A	-68	-68	-59
A203 B	-68	-68	-59
A203 D	-101	-101	-87
A203 E	-101	-101	-87

Impact Test Temp. (°F) for Plate Thicknesses Shown

Spec. No. & Grade	1 in. Max.	2 in. Max.	Over 2 in. to 3 in.
A203 A	-90	-90	-75
A203 B	-90	-90	-75
A203 D	-150	-150	-125
A203 E	-150	-150	-125

- (66) Stress values shown are 90% of those for the corresponding core material.
- (67) For use under this Code, the heat treatment requirements for pipe manufactured to A671, A672, and A691 shall be as required by para. 331 for the particular material being used.
- (68) The tension test specimen from plate 12.7 mm (1/2 in.) and thicker is machined from the core and does not include the cladding alloy; therefore, the stress values listed are those for materials less than 12.7 mm.
- (69) This material may be used only in nonpressure applications.
- (70) Alloy 625 (UNS N06625) in the annealed condition is subject to severe loss of impact strength at room temperature after exposure in the range of 538°C to 760°C (1,000°F to 1,400°F).
- (71) These materials are normally microalloyed with Cb, V, and/or Ti. Supplemental specifications agreed to by manufacturer and purchaser commonly establish chemistry more restrictive than the base specification, as well as plate rolling specifications and requirements for weldability (i.e., C-equivalent) and toughness.
- (72) For service temperature > 454°C (850°F), weld metal shall have a carbon content > 0.05%.
- (73) Heat treatment is required after welding for all products of zirconium Grade R60705. See Table 331.1.1.
- (74) Mechanical properties of fittings made from forging stock shall meet the requirements of one of the bar, forging, or rod specifications listed in Table 1 of B366.
- (75) Stress values shown are for materials in the normalized and tempered condition, or when the heat treatment is unknown. If material is annealed, use the following values above 510°C (950°F):

Temp., °C	538	566	593	621	649
S, MPa	55.1	39.3	26.2	16.5	9.6
Temp., °F	1,000	1,050	1,100	1,150	1,200
S, ksi	8.0	5.7	3.8	2.4	1.4

(76) DELETED.

(77) The pipe grades listed below, produced in accordance with CSA (Canadian Standards Association) Z245.1, shall be considered as equivalents to API 5L and treated as listed materials.

(78) Not permitted for the P4 and P5 materials in Table 302.3.5 for Elevated Temperature Fluid Service.

<u>Grade Equivalents</u>	
<u>API 5L</u>	<u>CSA Z245.1</u>
A25	172
A	207
B	241
X42	290
X46	317
X52	359
X56	386
X60	414
X65	448
X70	483
X80	550

**Table A-1 Basic Allowable Stresses in Tension for Metals<sup>1</sup>**

(12)

Numbers in Parentheses Refer to Notes for Appendix A Tables; Specifications Are ASTM Unless Otherwise Indicated

Material	Spec. No.	Type/ Grade	UNS No.	Class/ Condition/ Temper	Notes	Min. Temp., °F (6)	Specified Min. Strength, ksi		Basic Allowable Stress, S, ksi (1), at Metal Temperature, °F						
							Tensile	Yield	Min. Temp. to 100	200	300	400	500	600	650
<b>Iron</b>															
<b>Castings (2)</b>															
Gray	A48	20	F11401	...	(8e)(48)	-20	20	...	2.0	2.0	2.0	2.0	...	...	...
Gray	A278	20	F11401	...	(8e)(48)	-20	20	...	2.0	2.0	2.0	2.0	...	...	...
Gray	A126	A	F11501	...	(8e)(9)(48)	-20	21	...	2.0	2.0	2.0	2.0	...	...	...
Gray	A48	25	F11701	...	(8e)(48)	-20	25	...	2.5	2.5	2.5	2.5	...	...	...
Gray	A278	25	F11701	...	(8e)(48)	-20	25	...	2.5	2.5	2.5	2.5	...	...	...
Gray	A48	30	F12101	...	(8e)(48)	-20	30	...	3.0	3.0	3.0	3.0	...	...	...
Gray	A278	30	F12101	...	(8e)(48)	-20	30	...	3.0	3.0	3.0	3.0	...	...	...
Gray	A126	B	F12102	...	(8e)(9)(48)	-20	31	...	3.0	3.0	3.0	3.0	...	...	...
Gray	A48	35	F12401	...	(8e)(48)	-20	35	...	3.5	3.5	3.5	3.5	...	...	...
Gray	A278	35	F12401	...	(8e)(48)	-20	35	...	3.5	3.5	3.5	3.5	...	...	...
Gray	A48	40	F12801	...	(8e)(9)(48)	-20	40	...	4.0	4.0	4.0	4.0	...	...	...
Gray	A126	C	F12802	...	(8e)(9)(48)	-20	41	...	4.0	4.0	4.0	4.0	...	...	...
Gray	A278	40	F12803	...	(8e)(9)(53)	-20	40	...	4.0	4.0	4.0	4.0	4.0	4.0	4.0
Gray	A48	45	F13101	...	(8e)(48)	-20	45	...	4.5	4.5	4.5	4.5	...	...	...
Gray	A48	50	F13501	...	(8e)(48)	-20	50	...	5.0	5.0	5.0	5.0	...	...	...
Gray	A278	50	F13502	...	(8e)(53)	-20	50	...	5.0	5.0	5.0	5.0	5.0	5.0	5.0
Gray	A48	55	F13801	...	(8e)(48)	-20	55	...	5.5	5.5	5.5	5.5	...	...	...
Gray	A48	60	F14101	...	(8e)(48)	-20	60	...	6.0	6.0	6.0	6.0	...	...	...
Gray	A278	60	F14102	...	(8e)(53)	-20	60	...	6.0	6.0	6.0	6.0	6.0	6.0	6.0
Cupola malleable	A197	...	F22000	...	(8e)(9)	-20	40	30	8.0	8.0	8.0	8.0	8.0	8.0	8.0
Malleable	A47	32510	F22200	...	(8e)(9)	-20	50	32.5	10.0	10.0	10.0	10.0	10.0	10.0	10.0
Ferritic ductile	A395	...	F32800	...	(8d)(9)	-20	60	40	20.0	19.0	17.9	16.9	15.9	14.9	14.1
Austenitic ductile	A571	D-2M	F43010	1	(8d)	-20	65	30	20.0	...	...	...	...	...	...

(12) **Table A-1 Basic Allowable Stresses in Tension for Metals<sup>1</sup> (Cont'd)**

Numbers in Parentheses Refer to Notes for Appendix A Tables; Specifications Are ASTM Unless Otherwise Indicated

Material	Spec. No.	Type/ Grade	UNS No.	Class/ Condition/ Temper	Size, in.	P-No. (5)	Notes	Min. Temp., °F (6)	Specified			100	200	300
									Min. Strength, ksi	Yield	Min. Temp.			
<b>Carbon Steel</b>														
<b>Pipes and Tubes (2)</b>														
A285 Gr. A	A134	...	...	...	...	1	(8b)(57)	B	45	24	15.0	14.7	14.2	
A285 Gr. A	A672	A45	K01700	...	...	1	(57)(59)(67)	B	45	24	15.0	14.7	14.2	
Butt weld Smls & ERW	API 5L	A25	...	...	...	1	(8a)	-20	45	25	15.0	15.0	14.7	
	API 5L	A25	...	...	...	1	(57)(59)	B	45	25	15.0	15.0	14.7	
...	A179	...	K01200	...	...	1	(57)(59)	-20	47	26	15.7	15.7	15.3	
Type F	A53	A	K02504	...	...	1	(8a)(77)	20	48	30	16.0	16.0	16.0	
...	A139	A	...	...	...	1	(8b)(77)	A	48	30	16.0	16.0	16.0	
...	A587	...	K11500	...	...	1	(57)(59)	-20	48	30	16.0	16.0	16.0	
...	A53	A	K02504	...	...	1	(57)(59)	B	48	30	16.0	16.0	16.0	
...	A106	A	K02501	...	...	1	(57)	B	48	30	16.0	16.0	16.0	
...	A135	A	...	...	...	1	(57)(59)	B	48	30	16.0	16.0	16.0	
...	A369	FPA	K02501	...	...	1	(57)	B	48	30	16.0	16.0	16.0	
...	API 5L	A	...	...	...	1	(57)(59)(77)	B	48	30	16.0	16.0	16.0	
A285 Gr. B	A134	...	...	...	...	1	(8b)(57)	B	50	27	16.7	16.5	15.9	
A285 Gr. B	A672	A50	K02200	...	...	1	(57)(59)(67)	B	50	27	16.7	16.5	15.9	
A285 Gr. C	A134	...	...	...	...	1	(8b)(57)	A	55	30	18.3	18.3	17.7	
...	A524	II	K02104	...	...	1	(57)	-20	55	30	18.3	18.3	17.7	
...	A333	1	K03008	...	...	1	(57)(59)	-50	55	30	18.3	18.3	17.7	
...	A334	1	K03008	...	...	1	(57)(59)	-50	55	30	18.3	18.3	17.7	
A285 Gr. C	A671	CA55	K02801	...	...	1	(59)(67)	A	55	30	18.3	18.3	17.7	
A285 Gr. C	A672	A55	K02801	...	...	1	(57)(59)(67)	A	55	30	18.3	18.3	17.7	
A516 Gr. 55	A672	C55	K01800	...	...	1	(57)(67)	C	55	30	18.3	18.3	17.7	
A516 Gr. 60	A671	CC60	K02100	...	...	1	(57)(67)	C	60	32	20.0	19.5	18.9	
A515 Gr. 60	A671	CB60	K02401	...	...	1	(57)(67)	B	60	32	20.0	19.5	18.9	
A515 Gr. 60	A672	B60	K02401	...	...	1	(57)(67)	B	60	32	20.0	19.5	18.9	
A516 Gr. 60	A672	C60	K02100	...	...	1	(57)(67)	C	60	32	20.0	19.5	18.9	
...	A139	B	K03003	...	...	1	(8b)	A	60	35	20.0	20.0	20.0	
...	A135	B	K03018	...	...	1	(57)(59)	B	60	35	20.0	20.0	20.0	
...	A524	I	K02104	...	...	1	(57)	-20	60	35	20.0	20.0	20.0	
...	A53	B	K03005	...	...	1	(57)(59)	B	60	35	20.0	20.0	20.0	
...	A106	B	K03006	...	...	1	(57)	B	60	35	20.0	20.0	20.0	
...	A333	6	K03006	...	...	1	(57)	-50	60	35	20.0	20.0	20.0	
...	A334	6	K03006	...	...	1	(57)	-50	60	35	20.0	20.0	20.0	
...	A369	FPB	K03006	...	...	1	(57)	-20	60	35	20.0	20.0	20.0	
...	A381	Y35	...	...	...	1	...	A	60	35	20.0	20.0	20.0	
...	API 5L	B	...	...	...	1	(57)(59)(77)	B	60	35	20.0	20.0	20.0	





(12) **Table A-1 Basic Allowable Stresses in Tension for Metals<sup>1</sup> (Cont'd)**

Numbers in Parentheses Refer to Notes for Appendix A Tables; Specifications Are ASTM Unless Otherwise Indicated

Material	Spec. No.	Type/ Grade	UNS No.	Class/ Condition/ Temper	Size, in.	P-No. (5)	Notes	Min. Temp., °F (6)	Specified			Min. Temp. to 100	200	300
									Min. Strength, ksi		Yield			
<b>Carbon Steel (Cont'd)</b>														
<b>Pipes and Tubes (2) (Cont'd)</b>														
...	A139	C	K03004	...	...	1	(8b)	A	60	42	20.0	20.0	20.0	
...	A139	D	K03010	...	...	1	(8b)	A	60	46	20.0	20.0	20.0	
...	API 5L	X42	...	...	...	1	(55)(77)	A	60	42	20.0	20.0	20.0	
...	A381	Y42	...	...	...	1	...	A	60	42	20.0	20.0	20.0	
...	A381	Y48	...	...	...	1	...	A	62	48	20.7	20.7	20.7	
...	API 5L	X46	...	...	...	1	(55)(77)	A	63	46	21.0	21.0	21.0	
...	A381	Y46	...	...	...	1	...	A	63	46	21.0	21.0	21.0	
...	A381	Y50	...	...	...	1	...	A	64	50	21.3	21.3	21.3	
A516 Gr. 65	A671	CC65	K02403	...	...	1	(57)(67)	B	65	35	21.7	21.4	20.6	
A515 Gr. 65	A671	CB65	K02800	...	...	1	(57)(67)	A	65	35	21.7	21.4	20.6	
A515 Gr. 65	A672	B65	K02800	...	...	1	(57)(67)	A	65	35	21.7	21.4	20.6	
A516 Gr. 65	A672	C65	K02403	...	...	1	(57)(67)	B	65	35	21.7	21.4	20.6	
...	A139	E	K03012	...	...	1	(8b)	A	66	52	22.0	22.0	22.0	
...	API 5L	X52	...	...	...	1	(55)(77)	A	66	52	22.0	22.0	22.0	
...	A381	Y52	...	...	...	1	...	A	66	52	22.0	22.0	22.0	
A516 Gr. 70	A671	CC70	K02700	...	...	1	(57)(67)	B	70	38	23.3	23.2	22.4	
A515 Gr. 70	A671	CB70	K03101	...	...	1	(57)(67)	A	70	38	23.3	23.2	22.4	
A515 Gr. 70	A672	B70	K03101	...	...	1	(57)(67)	A	70	38	23.3	23.2	22.4	
A516 Gr. 70	A672	C70	K02700	...	...	1	(57)(67)	B	70	38	23.3	23.2	22.4	
...	A106	C	K03501	...	...	1	(57)	B	70	40	23.3	23.3	23.3	
A537 Cl. 1	A671	CD70	K12437	...	≤ 2 <sup>1</sup> / <sub>2</sub> thk.	1	(67)	D	70	50	23.3	23.3	22.8	
A537 Cl. 1	A672	D70	K12437	...	≤ 2 <sup>1</sup> / <sub>2</sub> thk.	1	(67)	D	70	50	23.3	23.3	22.8	
A537 Cl. 1	A691	CMSH-70	K12437	...	≤ 2 <sup>1</sup> / <sub>2</sub> thk.	1	(67)	D	70	50	23.3	23.3	22.8	
...	API 5L	X56	...	...	...	1	(51)(55)(71)(77)	A	71	56	23.7	23.7	23.7	
...	A381	Y56	...	...	...	1	(51)(55)(71)	A	71	56	23.7	23.7	23.7	
A299	A671	CK75	K02803	...	> 1 thk.	1	(57)(67)	A	75	40	25.0	24.4	23.6	
A299	A672	N75	K02803	...	> 1 thk.	1	(57)(67)	A	75	40	25.0	24.4	23.6	
A299	A691	CMS-75	K02803	...	> 1 thk.	1	(57)(67)	A	75	40	25.0	24.4	23.6	
A299	A671	CK75	K02803	...	≤ 1 thk.	1	(57)(67)	A	75	42	25.0	25.0	24.8	
A299	A672	N75	K02803	...	≤ 1 thk.	1	(57)(67)	A	75	42	25.0	25.0	24.8	
A299	A691	CMS-75	K02803	...	≤ 1 thk.	1	(57)(67)	A	75	42	25.0	25.0	24.8	

**Table A-1 Basic Allowable Stresses in Tension for Metals<sup>1</sup> (Cont'd)**  
 Numbers in Parentheses Refer to Notes for Appendix A Tables; Specifications Are ASTM Unless Otherwise Indicated

Basic Allowable Stress, S, ksi (1), at Metal Temperature, °F														Type/ Grade	Spec. No.
400	500	600	650	700	750	800	850	900	950	1,000	1,050	1,100			
														Carbon Steel (Cont'd) Pipes and Tubes (2) (Cont'd)	
...	...	...	...	...	...	...	...	...	...	...	...	...	C	A139	
...	...	...	...	...	...	...	...	...	...	...	...	...	D	A139	
20.0	...	...	...	...	...	...	...	...	...	...	...	...	X42	API 5L	
20.0	...	...	...	...	...	...	...	...	...	...	...	...	Y42	A381	
20.7	20.7	20.7	18.7	...	...	...	...	...	...	...	...	...	Y48	A381	
21.0	...	...	...	...	...	...	...	...	...	...	...	...	X46	API 5L	
21.0	...	...	...	...	...	...	...	...	...	...	...	...	Y46	A381	
21.3	21.3	21.3	18.7	...	...	...	...	...	...	...	...	...	Y50	A381	
19.9	19.0	17.9	17.3	16.7	13.9	11.4	9.0	6.3	4.0	2.5	...	...	CC65	A671	
19.9	19.0	17.9	17.3	16.7	13.9	11.4	9.0	6.3	4.0	2.5	1.6	1.0	CB65	A671	
19.9	19.0	17.9	17.3	16.7	13.9	11.4	9.0	6.3	4.0	2.5	1.6	1.0	B65	A672	
19.9	19.0	17.9	17.3	16.7	13.9	11.4	9.0	6.3	4.0	2.5	1.6	1.0	C65	A672	
...	...	...	...	...	...	...	...	...	...	...	...	...	E	A139	
22.0	...	...	...	...	...	...	...	...	...	...	...	...	X52	API 5L	
22.0	...	...	...	...	...	...	...	...	...	...	...	...	Y52	A381	
21.6	20.6	19.4	18.8	18.1	14.8	12.0	9.3	6.7	4.0	2.5	...	...	CC70	A671	
21.6	20.6	19.4	18.8	18.1	14.8	12.0	9.3	6.7	4.0	2.5	1.6	1.0	CB70	A671	
21.6	20.6	19.4	18.8	18.1	14.8	12.0	9.3	6.7	4.0	2.5	1.6	1.0	B70	A672	
21.6	20.6	19.4	18.8	18.1	14.8	12.0	9.3	6.7	4.0	2.5	1.6	1.0	C70	A672	
22.8	21.7	20.4	19.8	18.3	14.8	12.0	...	...	...	...	...	...	C	A106	
22.7	22.7	22.4	21.9	18.3	...	...	...	...	...	...	...	...	CD70	A671	
22.7	22.7	22.4	21.9	18.3	...	...	...	...	...	...	...	...	D70	A672	
22.7	22.7	22.4	21.9	18.3	...	...	...	...	...	...	...	...	CMSH-70	A691	
23.7	...	...	...	...	...	...	...	...	...	...	...	...	X56	API 5L	
23.7	...	...	...	...	...	...	...	...	...	...	...	...	Y56	A381	
22.8	21.7	20.4	19.8	19.1	15.7	12.6	9.3	6.7	4.0	2.5	1.6	1.0	CK75	A671	
22.8	21.7	20.4	19.8	19.1	15.7	12.6	9.3	6.7	4.0	2.5	1.6	1.0	N75	A672	
22.8	21.7	20.4	19.8	19.1	15.7	12.6	9.3	6.7	4.0	2.5	1.6	1.0	CMS-75	A691	
23.9	22.8	21.5	20.8	19.6	...	...	...	...	...	...	...	...	CK75	A671	
23.9	22.8	21.5	20.8	19.6	...	...	...	...	...	...	...	...	N75	A672	
23.9	22.8	21.5	20.8	19.6	...	...	...	...	...	...	...	...	CMS-75	A691	

(12) **Table A-1 Basic Allowable Stresses in Tension for Metals<sup>1</sup> (Cont'd)**

Numbers in Parentheses Refer to Notes for Appendix A Tables; Specifications Are ASTM Unless Otherwise Indicated

Material	Spec. No.	Type/ Grade	UNS No.	Class/ Condition/ Temper	Size, in.	P-No. (5)	Notes	Min. Temp., °F (6)	Specified Min. Strength, ksi			Min. Temp.		
									Tensile	Yield	to 100	200	300	
<b>Carbon Steel (Cont'd)</b>														
<b>Pipes and Tubes (2) (Cont'd)</b>														
...	API 5L	X60	...	...	...	1	(51)(55)(71)(77)	A	75	60	25.0	25.0	25.0	
...	API 5L	X65	...	...	...	1	(51)(55)(71)(77)	A	77	65	25.7	25.7	25.7	
...	API 5L	X70	...	...	...	1	(51)(55)(71)(77)	A	82	70	27.3	27.3	27.3	
...	API 5L	X80	...	...	...	1	(51)(55)(71)(77)	A	90	80	30.0	30.0	30.0	
...	A381	Y60	...	...	...	1	(51)(71)	A	75	60	25.0	25.0	25.0	
<b>Pipes (Structural Grade) (2)</b>														
A283 Gr. A	A134	...	...	...	...	1	(8a)(8c)	-20	45	24	15.0	14.7	14.2	
A1011 Gr. 30	A134	...	...	...	...	1	(8a)(8c)	-20	49	30	16.3	16.3	16.3	
A283 Gr. B	A134	...	...	...	...	1	(8a)(8c)	-20	50	27	16.7	16.5	15.9	
A1011 Gr. 33	A134	...	...	...	...	1	(8a)(8c)	-20	52	33	17.3	17.3	17.3	
A1011 Gr. 36	A134	...	...	...	...	1	(8a)(8c)	-20	53	36	17.7	17.7	17.7	
A1011 Gr. 40	A134	...	...	...	...	1	(8a)(8c)	-20	55	40	18.3	18.3	18.3	
A36	A134	...	...	...	...	1	(8a)(8c)	-20	58	36	19.3	19.3	19.3	
A283 Gr. D	A134	...	...	...	...	1	(8a)(8c)	-20	60	33	20.0	20.0	19.5	
A1011 Gr. 45	A134	...	...	...	...	1	(8a)(8c)	-20	60	45	20.0	20.0	20.0	
A1011 Gr. 50	A134	...	...	...	...	1	(8a)(8c)	-20	65	50	21.7	21.7	21.7	
<b>Plates, Bars, Shapes, and Sheets</b>														
...	A285	A	K01700	...	...	1	(57)(59)	B	45	24	15.0	14.7	14.2	
...	A285	B	K02200	...	...	1	(57)(59)	B	50	27	16.7	16.5	15.9	
...	A516	55	K01800	...	...	1	(57)	C	55	30	18.3	18.3	17.7	
...	A285	C	K02801	...	...	1	(57)(59)	A	55	30	18.3	18.3	17.7	
...	A516	60	K02100	...	...	1	(57)	C	60	32	20.0	19.5	18.9	
...	A515	60	K02401	...	...	1	(57)	B	60	32	20.0	19.5	18.9	
...	A516	65	K02403	...	...	1	(57)	B	65	35	21.7	21.4	20.6	
...	A515	65	K02800	...	...	1	(57)	A	65	35	21.7	21.4	20.6	
...	A516	70	K02700	...	...	1	(57)	B	70	38	23.3	23.2	22.4	
...	A515	70	K03101	...	...	1	(57)	A	70	38	23.3	23.2	22.4	
...	A537	...	K12437	1	≤ 2½ thk.	1	...	D	70	50	23.3	23.3	22.8	
...	A299	...	K02803	...	> 1 thk.	1	(57)	A	75	40	25.0	24.4	23.6	
...	A299	...	K02803	...	≤ 1 thk.	1	(57)	A	75	42	25.0	25.0	24.8	

**Table A-1 Basic Allowable Stresses in Tension for Metals<sup>1</sup> (Cont'd)**  
 Numbers in Parentheses Refer to Notes for Appendix A Tables; Specifications Are ASTM Unless Otherwise Indicated

Basic Allowable Stress, S, ksi (1), at Metal Temperature, °F														
400	500	600	650	700	750	800	850	900	950	1,000	1,050	1,100	Type/ Grade	Spec. No.
<b>Carbon Steel (Cont'd)</b>														
<b>Pipes and Tubes (2) (Cont'd)</b>														
25.0	...	...	...	...	...	...	...	...	...	...	...	...	X60	API 5L
25.7	...	...	...	...	...	...	...	...	...	...	...	...	X65	API 5L
27.3	...	...	...	...	...	...	...	...	...	...	...	...	X70	API 5L
30.0	...	...	...	...	...	...	...	...	...	...	...	...	X80	API 5L
25.0	...	...	...	...	...	...	...	...	...	...	...	...	Y60	A381
<b>Pipes (Structural Grade) (2)</b>														
13.7	...	...	...	...	...	...	...	...	...	...	...	...	...	A134
16.3	...	...	...	...	...	...	...	...	...	...	...	...	...	A134
...	...	...	...	...	...	...	...	...	...	...	...	...	...	A134
17.3	...	...	...	...	...	...	...	...	...	...	...	...	...	A134
17.7	...	...	...	...	...	...	...	...	...	...	...	...	...	A134
18.3	...	...	...	...	...	...	...	...	...	...	...	...	...	A134
19.3	...	...	...	...	...	...	...	...	...	...	...	...	...	A134
...	...	...	...	...	...	...	...	...	...	...	...	...	...	A134
20.0	...	...	...	...	...	...	...	...	...	...	...	...	...	A134
21.7	...	...	...	...	...	...	...	...	...	...	...	...	...	A134
<b>Plates, Bars, Shapes, and Sheets</b>														
13.7	13.0	12.3	11.9	11.5	10.7	9.2	7.9	5.9	4.0	2.5	1.6	1.0	A	A285
15.4	14.7	13.8	13.3	12.5	10.7	9.2	7.9	5.9	4.0	2.5	1.6	1.0	B	A285
17.1	16.3	15.3	14.8	14.3	13.0	10.8	8.7	...	...	...	...	...	55	A516
17.1	16.3	15.3	14.8	14.3	13.0	10.8	8.7	5.9	4.0	2.5	1.6	1.0	C	A285
18.2	17.4	16.4	15.8	15.3	13.9	11.4	8.7	...	...	...	...	...	60	A516
18.2	17.4	16.4	15.8	15.3	13.9	11.4	8.7	5.9	4.0	2.5	...	...	60	A515
19.9	19.0	17.9	17.3	16.7	13.9	11.4	9.0	...	...	...	...	...	65	A516
19.9	19.0	17.9	17.3	16.7	13.9	11.4	9.0	6.3	4.0	2.5	...	...	65	A515
21.6	20.6	19.4	18.8	18.1	14.8	12.0	9.3	...	...	...	...	...	70	A516
21.6	20.6	19.4	18.8	18.1	14.8	12.0	9.3	6.7	4.0	2.5	...	...	70	A515
22.7	22.7	22.4	21.9	18.3	...	...	...	...	...	...	...	...	Cl. 1	A537
22.8	21.7	20.4	19.8	19.1	15.7	12.6	9.3	6.7	4.0	2.5	1.6	1.0	...	A299
23.9	22.8	21.5	20.8	19.6	15.7	12.6	9.3	6.7	4.0	2.5	1.6	1.0	...	A299

(12) **Table A-1 Basic Allowable Stresses in Tension for Metals<sup>1</sup> (Cont'd)**

Numbers in Parentheses Refer to Notes for Appendix A Tables; Specifications Are ASTM Unless Otherwise Indicated

Material	Spec. No.	Type/ Grade	UNS No.	Class/ Condition/ Temper	Size, in.	P-No. (5)	Notes	Min. Temp., °F (6)	Specified			Min. Temp. to 100	200	300
									Min. Strength, ksi	Tensile	Yield			
<b>Carbon Steel (Cont'd)</b>														
<b>Plates, Bars, Shapes, and Sheets (Structural)</b>														
...	A283	A	K01400	...	...	1	(8c)(57)	A	45	24	15.0	14.7	14.2	
...	A1011	30	K02502	...	...	1	(8c)(57)	A	49	30	16.3	16.3	16.3	
...	A283	B	K01702	...	...	1	(8c)(57)	A	50	27	16.7	16.5	15.9	
...	A1011	33	K02502	...	...	1	(8c)(57)	A	52	33	17.3	17.3	17.3	
...	A1011	36	K02502	...	...	1	(8c)(57)	A	53	36	17.7	17.7	17.7	
...	A283	C	K02401	...	...	1	(8c)(57)	A	55	30	18.3	18.3	17.7	
...	A1011	40	K02502	...	...	1	(8c)(57)	A	55	40	18.3	18.3	18.3	
...	A36	...	K02600	...	...	1	(8c)	A	58	36	19.3	19.3	19.3	
...	A283	D	K02702	...	...	1	(8c)(57)	A	60	33	20.0	20.0	19.5	
...	A1011	45	K02507	...	...	1	(8c)(57)	A	60	45	20.0	20.0	20.0	
...	A1011	50	K02507	...	...	1	(8c)(57)	A	65	50	21.7	21.7	21.7	
...	A992	...	...	...	...	1	(8c)(57)	A	65	50	19.9	19.9	19.9	
<b>Forgings and Fittings (2)</b>														
...	A350	LF1	K03009	...	...	1	(9)(57)(59)	-20	60	30	20.0	18.3	17.7	
...	A181	...	K03502	60	...	1	(9)(57)(59)	A	60	30	20.0	18.3	17.7	
...	A420	WPL6	K03006	...	...	1	(57)	-50	60	35	20.0	20.0	20.0	
...	A234	WPB	K03006	...	...	1	(57)(59)	B	60	35	20.0	20.0	20.0	
...	A350	LF2	K03011	1	...	1	(9)(57)	-50	70	36	23.3	22.0	21.2	
...	A350	LF2	K03011	2	...	1	(9)(57)	0	70	36	23.3	22.0	21.2	
...	A105	...	K03504	...	...	1	(9)(57)(59)	-20	70	36	23.3	22.0	21.2	
...	A181	...	K03502	70	...	1	(9)(57)(59)	A	70	36	23.3	22.0	21.2	
...	A234	WPC	K03501	...	...	1	(57)(59)	B	70	40	23.3	23.3	23.3	
<b>Castings (2)</b>														
...	A216	WCA	J02502	...	...	1	(57)	-20	60	30	20.0	18.3	17.7	
...	A352	LCB	J03003	...	...	1	(9)(57)	-50	65	35	21.7	21.4	20.6	
...	A352	LCC	J02505	...	...	1	(9)	-50	70	40	23.3	23.3	23.3	
...	A216	WCB	J03002	...	...	1	(9)(57)	-20	70	36	23.3	22.0	21.2	
...	A216	WCC	J02503	...	...	1	(9)(57)	-20	70	40	23.3	23.3	23.3	

**Table A-1 Basic Allowable Stresses in Tension for Metals<sup>1</sup> (Cont'd)** (12)  
 Numbers in Parentheses Refer to Notes for Appendix A Tables; Specifications Are ASTM Unless Otherwise Indicated

Basic Allowable Stress, S, ksi (1), at Metal Temperature, °F														
400	500	600	650	700	750	800	850	900	950	1,000	1,050	1,100	Type/ Grade	Spec. No.
<b>Carbon Steel (Cont'd)</b>														
<b>Plates, Bars, Shapes, and Sheets (Structural)</b>														
13.7	13.0	12.3	11.9	11.5	10.7	...	...	...	...	...	...	...	A	A283
16.3	16.3	15.3	14.6	12.5	10.7	...	...	...	...	...	...	...	30	A1011
15.4	14.7	13.8	13.3	12.5	10.7	...	...	...	...	...	...	...	B	A283
17.3	17.3	16.9	14.6	12.5	10.7	...	...	...	...	...	...	...	33	A1011
17.7	17.7	17.7	14.6	12.5	10.7	...	...	...	...	...	...	...	36	A1011
17.1	16.3	15.3	14.8	14.3	13.0	...	...	...	...	...	...	...	C	A283
18.3	18.3	18.3	18.3	15.6	13.0	...	...	...	...	...	...	...	40	A1011
19.3	19.3	18.4	17.8	15.6	...	...	...	...	...	...	...	...	...	A36
18.8	17.9	16.9	16.3	15.8	13.9	...	...	...	...	...	...	...	D	A283
20.0	20.0	20.0	20.0	16.9	13.9	...	...	...	...	...	...	...	45	A1011
21.7	21.7	21.7	20.5	16.9	13.9	...	...	...	...	...	...	...	50	A1011
19.9	19.9	19.9	18.9	15.5	12.8	10.5	...	...	...	...	...	...	...	A992
<b>Forgings and Fittings (2)</b>														
17.1	16.3	15.3	14.8	14.3	13.8	11.4	8.7	5.9	4.0	2.5	...	...	LF1	A350
17.1	16.3	15.3	14.8	14.3	13.8	11.4	8.7	5.9	4.0	2.5	1.6	1.0	Cl. 60	A181
19.9	19.0	17.9	17.3	16.7	13.9	11.4	8.7	5.9	4.0	2.5	...	...	WPL6	A420
19.9	19.0	17.9	17.3	16.7	13.9	11.4	8.7	5.9	4.0	2.5	1.6	1.0	WPB	A234
20.5	19.6	18.4	17.8	17.2	14.8	12.0	9.3	6.7	4.0	2.5	...	...	LF2 Cl. 1	A350
20.5	19.6	18.4	17.8	17.2	14.8	12.0	9.3	6.7	4.0	2.5	...	...	LF2 Cl. 2	A350
20.5	19.6	18.4	17.8	17.2	14.8	12.0	9.3	6.7	4.0	2.5	1.6	1.0	...	A105
20.5	19.6	18.4	17.8	17.2	14.8	12.0	9.3	6.7	4.0	2.5	1.6	1.0	Cl. 70	A181
22.8	21.7	20.4	19.8	18.3	14.8	12.0	...	...	...	...	...	...	WPC	A234
<b>Castings (2)</b>														
17.1	16.3	15.3	14.8	14.3	13.8	11.4	8.7	5.9	4.0	2.5	1.6	1.0	WCA	A216
19.9	19.0	17.9	17.3	16.7	13.9	11.4	9.0	6.3	4.0	2.5	1.6	1.0	LCB	A352
22.8	21.7	20.4	19.8	19.2	...	...	...	...	...	...	...	...	LCC	A352
20.5	19.6	18.4	17.8	17.2	14.8	12.0	9.3	6.7	4.0	2.5	1.6	1.0	WCB	A216
22.8	21.7	20.4	19.8	18.3	14.8	12.0	9.3	6.7	4.0	2.5	...	...	WCC	A216

(12) **Table A-1 Basic Allowable Stresses in Tension for Metals<sup>1</sup> (Cont'd)**

Numbers in Parentheses Refer to Notes for Appendix A Tables; Specifications Are ASTM Unless Otherwise Indicated

Nominal Composition	Spec. No.	Type/ Grade	UNS No.	Class/ Condition/ Temper	Size, in.	P-No. (5)	Notes	Min. Temp., °F (6)	Specified Min. Strength, ksi		Min. Temp.	
									Tensile	Yield	to 100	200
<b>Low and Intermediate Alloy Steel</b>												
<b>Pipes (2)</b>												
$\frac{1}{2}$ Cr- $\frac{1}{2}$ Mo	A335	P2	K11547	...	...	3	...	-20	55	30	18.3	18.3
$\frac{1}{2}$ Cr- $\frac{1}{2}$ Mo	A691	$\frac{1}{2}$ CR	K12143	...	...	3	(11)(67)	-20	55	33	18.3	18.3
A387 Gr. 2 Cl. 1												
C- $\frac{1}{2}$ Mo	A335	P1	K11522	...	...	3	(58)	-20	55	30	18.3	18.3
C- $\frac{1}{2}$ Mo	A369	FP1	K11522	...	...	3	(58)	-20	55	30	18.3	18.3
$\frac{1}{2}$ Cr- $\frac{1}{2}$ Mo	A369	FP2	K11547	...	...	3	...	-20	55	30	18.3	18.3
1Cr- $\frac{1}{2}$ Mo	A691	1CR	K11757	...	...	4	(11)(67)	-20	55	33	18.3	18.3
A387 Gr. 12 Cl. 1												
$\frac{1}{2}$ Cr- $\frac{1}{2}$ Mo	A426	CP2	J11547	...	...	3	(10)	-20	60	30	18.4	17.7
$1\frac{1}{2}$ Si- $\frac{1}{2}$ Mo	A335	P15	K11578	...	...	3	...	-20	60	30	18.8	18.2
$1\frac{1}{2}$ Si- $\frac{1}{2}$ Mo	A426	CP15	J11522	...	...	3	(10)	-20	60	30	18.8	18.2
1Cr- $\frac{1}{2}$ Mo	A426	CP12	J11562	...	...	4	(10)	-20	60	30	18.8	18.3
5Cr- $\frac{1}{2}$ Mo- $1\frac{1}{2}$ Si	A426	CP5b	J51545	...	...	5B	(10)	-20	60	30	18.8	17.9
3Cr-Mo	A426	CP21	J31545	...	...	5A	(10)	-20	60	30	18.8	18.1
$\frac{3}{4}$ Cr- $\frac{3}{4}$ Ni-Cu-Al	A333	4	K11267	...	...	4	...	-150	60	35	20.0	19.1
2Cr- $\frac{1}{2}$ Mo	A369	FP3b	K21509	...	...	4	...	-20	60	30	20.0	18.5
1Cr- $\frac{1}{2}$ Mo	A335	P12	K11562	...	...	4	...	-20	60	32	20.0	18.7
1Cr- $\frac{1}{2}$ Mo	A369	FP12	K11562	...	...	4	...	-20	60	32	20.0	18.7
$1\frac{1}{4}$ Cr- $\frac{1}{2}$ Mo	A335	P11	K11597	...	...	4	...	-20	60	30	20.0	18.7
$1\frac{1}{4}$ Cr- $\frac{1}{2}$ Mo	A369	FP11	K11597	...	...	4	...	-20	60	30	20.0	18.7
$1\frac{1}{4}$ Cr- $\frac{1}{2}$ Mo	A691	$1\frac{1}{4}$ CR	K11789	...	...	4	(11)(67)	-20	60	35	20.0	20.0
A387 Gr. 11 Cl. 1												
5Cr- $\frac{1}{2}$ Mo	A691	5CR	K41545	...	...	5B	(11)(67)	-20	60	30	20.0	18.1
A387 Gr. 5 Cl. 1												
5Cr- $\frac{1}{2}$ Mo	A335	P5	K41545	...	...	5B	...	-20	60	30	20.0	18.1
5Cr- $\frac{1}{2}$ Mo-Si	A335	P5b	K51545	...	...	5B	...	-20	60	30	20.0	18.1
5Cr- $\frac{1}{2}$ Mo-Ti	A335	P5c	K41245	...	...	5B	...	-20	60	30	20.0	18.1
5Cr- $\frac{1}{2}$ Mo	A369	FP5	K41545	...	...	5B	...	-20	60	30	20.0	18.1
9Cr-1Mo	A335	P9	K90941	...	...	5B	...	-20	60	30	20.0	18.1
9Cr-1Mo	A369	FP9	K90941	...	...	5B	...	-20	60	30	20.0	18.1
9Cr-1Mo	A691	9CR	K90941	...	...	5B	...	-20	60	30	20.0	18.1
A387 Gr. 9 Cl. 1												
3Cr-1Mo	A335	P21	K31545	...	...	5A	...	-20	60	30	20.0	18.7
3Cr-1Mo	A369	FP21	K31545	...	...	5A	...	-20	60	30	20.0	18.7
3Cr-1Mo	A691	3CR	K31545	...	...	5A	(11)(67)	-20	60	30	20.0	18.5
A387 Gr. 21 Cl. 1												



**Table A-1 Basic Allowable Stresses in Tension for Metals<sup>1</sup> (Cont'd)**  
 Numbers in Parentheses Refer to Notes for Appendix A Tables; Specifications Are ASTM Unless Otherwise Indicated

Basic Allowable Stress, S, ksi (1), at Metal Temperature, °F																	
300	400	500	600	650	700	750	800	850	900	950	1,000	1,050	1,100	1,150	1,200	Type/ Grade	Spec. No.
Low and Intermediate Alloy Steel Pipes (2)																	
17.5	16.9	16.3	15.7	15.4	15.1	13.8	13.5	13.2	12.8	9.2	5.9	...	...	...	...	P2	A335
18.3	18.3	17.9	17.3	16.9	16.6	13.8	13.8	13.4	12.8	9.2	5.9	...	...	...	...	1/2CR	A691
17.5	16.9	16.3	15.7	15.4	15.1	13.8	13.5	13.2	12.7	8.2	4.8	4.0	2.4	...	...	P1	A335
17.5	16.9	16.3	15.7	15.4	15.1	13.8	13.5	13.2	12.7	8.2	4.8	4.0	2.4	...	...	FP1	A369
17.5	16.9	16.3	15.7	15.4	15.1	13.8	13.5	13.2	12.8	9.2	5.9	4.0	2.4	...	...	FP2	A369
18.3	18.3	17.9	17.3	16.9	16.6	16.3	15.9	15.4	14.0	11.3	7.2	4.5	2.8	1.8	1.1	1CR	A691
17.0	16.3	15.6	14.9	14.6	14.2	13.9	13.5	13.2	12.5	10.0	6.3	4.0	2.4	...	...	CP2	A426
17.6	17.0	16.5	15.9	15.6	15.3	15.0	14.4	13.8	12.5	10.0	6.3	4.0	2.4	...	...	P15	A335
17.6	17.0	16.5	15.9	15.6	15.3	15.0	14.4	13.8	12.5	10.0	6.3	4.0	2.4	...	...	CP15	A426
17.6	17.1	16.5	15.9	15.7	15.4	15.1	14.8	14.2	13.1	11.3	7.2	4.5	2.8	1.8	1.1	CP12	A426
17.1	16.2	15.4	14.5	14.1	13.7	13.3	12.8	12.4	10.9	9.0	5.5	3.5	2.5	1.8	1.2	CP5b	A426
17.4	16.8	16.1	15.5	15.2	14.8	14.5	13.9	13.2	12.0	9.0	7.0	5.5	4.0	2.7	1.5	CP21	A426
18.2	17.3	16.4	15.5	15.0	...	...	...	...	...	...	...	...	...	...	...	4	A333
17.5	16.4	16.3	15.7	15.4	15.1	13.9	13.5	13.1	12.5	10.0	6.2	4.2	2.6	1.4	1.0	FP3b	A369
18.0	17.5	17.2	16.7	16.2	15.6	15.2	15.0	14.5	12.8	11.3	7.2	4.5	2.8	1.8	1.1	P12	A335
18.0	17.5	17.2	16.7	16.2	15.6	15.2	15.0	14.5	12.8	11.3	7.2	4.5	2.8	1.8	1.1	FP12	A369
18.0	17.5	17.2	16.7	16.2	15.6	15.2	15.0	14.5	12.8	9.3	6.3	4.2	2.8	1.9	1.2	P11	A335
18.0	17.5	17.2	16.7	16.2	15.6	15.2	15.0	14.5	12.8	9.3	6.3	4.2	2.8	1.9	1.2	FP11	A369
20.0	19.7	18.9	18.3	18.0	17.6	17.3	16.8	16.3	15.0	9.9	6.3	4.2	2.8	1.9	1.2	1 1/4CR	A691
17.4	17.2	17.1	16.8	16.6	16.3	13.2	12.8	12.1	10.9	8.0	5.8	4.2	2.8	2.0	1.3	5CR	A691
17.4	17.2	17.1	16.8	16.6	16.3	13.2	12.8	12.1	10.9	8.0	5.8	4.2	2.9	1.8	1.0	P5	A335
17.4	17.2	17.1	16.8	16.6	16.3	13.2	12.8	12.1	10.9	8.0	5.8	4.2	2.9	1.8	1.0	P5b	A335
17.4	17.2	17.1	16.8	16.6	16.3	13.2	12.8	12.1	10.9	8.0	5.8	4.2	2.9	1.8	1.0	P5c	A335
17.4	17.2	17.1	16.8	16.6	16.3	13.2	12.8	12.1	10.9	8.0	5.8	4.2	2.9	1.8	1.0	FP5	A369
17.4	17.2	17.1	16.8	16.6	16.3	13.2	12.8	12.1	11.4	10.6	7.4	5.0	3.3	2.2	1.5	P9	A335
17.4	17.2	17.1	16.8	16.6	16.3	13.2	12.8	12.1	11.4	10.6	7.4	5.0	3.3	2.2	1.5	FP9	A369
17.4	17.2	17.1	16.8	16.6	16.3	13.2	12.8	12.1	11.4	10.6	7.4	5.0	3.3	2.2	1.5	9CR	A691
18.0	17.5	17.2	16.7	16.2	15.6	15.2	15.0	14.0	12.0	9.0	7.0	5.5	4.0	2.7	1.5	P21	A335
18.0	17.5	17.2	16.7	16.2	15.6	15.2	15.0	14.0	12.0	9.0	7.0	5.5	4.0	2.7	1.5	FP21	A369
18.1	17.9	17.9	17.9	17.9	17.9	17.9	17.8	14.0	12.0	9.0	7.0	5.5	4.0	2.7	1.5	3CR	A691

(12) **Table A-1 Basic Allowable Stresses in Tension for Metals<sup>1</sup> (Cont'd)**

Numbers in Parentheses Refer to Notes for Appendix A Tables; Specifications Are ASTM Unless Otherwise Indicated

Nominal Composition	Spec. No.	Type/ Grade	UNS No.	Class/ Condition/ Temper	Size, in.	P-No. (5)	Notes	Min. Temp., °F (6)	Specified Min. Strength, ksi		Min. Temp.	
									Tensile	Yield	to 100	200
<b>Low and Intermediate Alloy Steel (Cont'd)</b>												
<b>Pipes (2) (Cont'd)</b>												
2 $\frac{1}{4}$ Cr-1Mo A387 Gr. 22 Cl. 1	A691	2 $\frac{1}{4}$ CR	K21590	...	...	5A	(11)(67)(72)(75)	-20	60	30	20.0	18.5
2 $\frac{1}{4}$ Cr-1Mo	A369	FP22	K21590	...	...	5A	(72)(75)	-20	60	30	20.0	18.5
2 $\frac{1}{4}$ Cr-1Mo	A335	P22	K21590	...	...	5A	(72)(75)	-20	60	30	20.0	18.5
2Ni-1Cu	A333	9	K22035	...	...	9A	...	-100	63	46	21.0	...
2Ni-1Cu	A334	9	K22035	...	...	9A	...	-100	63	46	21.0	...
2 $\frac{1}{4}$ Ni	A333	7	K21903	...	...	9A	...	-100	65	35	21.7	19.6
2 $\frac{1}{4}$ Ni	A334	7	K21903	...	...	9A	...	-100	65	35	21.7	19.6
3 $\frac{1}{2}$ Ni	A333	3	K31918	...	...	9B	...	-150	65	35	21.7	19.6
3 $\frac{1}{2}$ Ni	A334	3	K31918	...	...	9B	...	-150	65	35	21.7	19.6
C- $\frac{1}{2}$ Mo	A426	CP1	J12521	...	...	3	(10)(58)	-20	65	35	21.7	21.7
C-Mo A204 Gr. A	A672	L65	K11820	...	...	3	(11)(58)(67)	-20	65	37	21.7	21.7
C-Mo A204 Gr. A	A691	CM65	K11820	...	...	3	(11)(58)(67)	-20	65	37	21.7	21.7
2 $\frac{1}{4}$ Ni A203 Gr. B	A671	CF70	K22103	...	...	9A	(11)(65)(67)	-20	70	40	23.3	...
3 $\frac{1}{2}$ Ni A203 Gr. E	A671	CF71	K32018	...	...	9B	(11)(65)(67)	-20	70	40	23.3	...
C-Mo A204 Gr. B	A672	L70	K12020	...	...	3	(11)(58)(67)	-20	70	40	23.3	23.3
C-Mo A204 Gr. B	A691	CM70	K12020	...	...	3	(11)(58)(67)	-20	70	40	23.3	23.3
1 $\frac{1}{4}$ Cr- $\frac{1}{2}$ Mo	A426	CP11	J12072	...	...	4	(10)	-20	70	40	23.3	23.3
2 $\frac{1}{4}$ Cr-1Mo	A426	CP22	J21890	...	...	5A	(10)(72)	-20	70	40	23.3	23.3
C-Mo A204 Gr. C	A672	L75	K12320	...	...	3	(11)(58)(67)	-20	75	43	25.0	25.0
C-Mo A204 Gr. C	A691	CM75	K12320	...	...	3	(11)(58)(67)	-20	75	43	25.0	25.0
9Cr-1Mo-V	A335	P91	K90901	...	≤ 3 thk.	15E	...	-20	85	60	28.3	28.3
9Cr-1Mo-V	A691	P91	K90901	...	≤ 3 thk.	15E	...	-20	85	60	28.3	28.3
5Cr- $\frac{1}{2}$ Mo	A426	CP5	J42045	...	...	5B	(10)	-20	90	60	30.0	28.0
9Cr-1Mo	A426	CP9	J82090	...	...	5B	(10)	-20	90	60	30.0	22.5
9Ni	A333	8	K81340	...	...	11A	(47)	-320	100	75	31.7	31.7
9Ni	A334	8	K81340	...	...	11A	...	-320	100	75	31.7	31.7
<b>Plates</b>												
1 $\frac{1}{2}$ Cr- $\frac{1}{2}$ Mo	A387	2	K12143	1	...	3	...	-20	55	33	18.3	18.3
1Cr- $\frac{1}{2}$ Mo	A387	12	K11757	1	...	4	...	-20	55	33	18.3	18.3
9Cr-1Mo	A387	9	K90941	1	...	5	...	-20	60	30	20.0	18.1

**Table A-1 Basic Allowable Stresses in Tension for Metals<sup>1</sup> (Cont'd)**  
 Numbers in Parentheses Refer to Notes for Appendix A Tables; Specifications Are ASTM Unless Otherwise Indicated

Basic Allowable Stress, S, ksi (1), at Metal Temperature, °F																	Type/ Grade	Spec. No.
300	400	500	600	650	700	750	800	850	900	950	1,000	1,050	1,100	1,150	1,200			
																	Low and Intermediate Alloy Steel (Cont'd) Pipes (2) (Cont'd)	
18.0	17.9	17.9	17.9	17.9	17.9	17.9	17.8	14.5	12.8	10.8	7.8	5.1	3.2	2.0	1.6	2 <sup>1</sup> / <sub>4</sub> CR	A691	
18.0	17.9	17.9	17.9	17.9	17.9	17.9	17.8	14.5	12.8	10.8	7.8	5.1	3.2	2.0	1.6	FP22	A369	
18.0	17.9	17.9	17.9	17.9	17.9	17.9	17.8	14.5	12.8	10.8	7.8	5.1	3.2	2.0	1.6	P22	A335	
...	...	...	...	...	...	...	...	...	...	...	...	...	...	...	...	9	A333	
...	...	...	...	...	...	...	...	...	...	...	...	...	...	...	...	9	A334	
19.6	18.7	17.6	16.8	16.3	15.5	13.9	11.4	9.0	6.5	4.5	2.5	1.6	1.0	...	...	7	A333	
19.6	18.7	17.6	16.8	16.3	15.5	13.9	11.4	9.0	6.5	4.5	2.5	1.6	1.0	...	...	7	A334	
19.6	18.7	17.8	16.8	16.3	15.5	13.9	11.4	9.0	6.5	4.5	2.5	1.6	1.0	...	...	3	A333	
19.6	18.7	17.8	16.8	16.3	15.5	13.9	11.4	9.0	6.5	4.5	2.5	1.6	1.0	...	...	3	A334	
21.7	21.7	21.3	20.7	20.4	20.0	16.3	15.7	14.4	12.5	10.0	6.3	4.0	2.4	...	...	CP1	A426	
21.7	20.7	20.0	19.3	19.0	18.6	16.3	15.8	15.3	13.7	8.2	4.8	4.0	2.4	...	...	L65	A672	
21.7	20.7	20.0	19.3	19.0	18.6	16.3	15.8	15.3	13.7	8.2	4.8	4.0	2.4	...	...	CM65	A691	
...	...	...	...	...	...	...	...	...	...	...	...	...	...	...	...	CF70	A671	
...	...	...	...	...	...	...	...	...	...	...	...	...	...	...	...	CF71	A671	
23.3	22.5	21.7	20.9	20.5	20.1	17.5	17.5	17.1	13.7	8.2	4.8	4.0	2.4	...	...	L70	A672	
23.3	22.5	21.7	20.9	20.5	20.1	17.5	17.5	17.1	13.7	8.2	4.8	4.0	2.4	...	...	CM70	A691	
23.3	23.3	22.9	22.3	21.6	20.9	15.5	15.0	14.4	13.7	9.3	6.3	4.2	2.8	1.9	1.2	CP11	A426	
23.3	23.3	22.9	22.3	21.6	20.9	17.5	17.5	16.0	14.0	11.0	7.8	5.1	3.2	2.0	1.2	CP22	A426	
25.0	24.1	23.3	22.5	22.1	21.7	18.8	18.8	18.3	13.7	8.2	4.8	4.0	2.4	...	...	L75	A672	
25.0	24.1	23.3	22.5	22.1	21.7	18.8	18.8	18.3	13.7	8.2	4.8	4.0	2.4	...	...	CM75	A691	
28.3	28.2	28.1	27.7	27.3	26.7	25.9	24.9	23.7	22.3	20.7	18.0	14.0	10.3	7.0	4.3	P91	A335	
28.3	28.2	28.1	27.7	27.3	26.7	25.9	24.9	23.7	22.3	20.7	18.0	14.0	10.3	7.0	4.3	P91	A691	
26.1	24.1	22.1	20.1	19.0	17.5	16.0	14.5	12.8	10.4	7.6	5.6	4.2	3.1	1.8	1.0	CP5	A426	
22.5	22.5	22.5	22.5	22.5	22.0	21.0	19.4	17.3	15.0	10.7	8.5	5.5	3.3	2.2	1.5	CP9	A426	
...	...	...	...	...	...	...	...	...	...	...	...	...	...	...	...	8	A333	
...	...	...	...	...	...	...	...	...	...	...	...	...	...	...	...	8	A334	
																	Plates	
18.3	18.3	17.9	17.3	16.9	16.6	13.8	13.8	13.4	12.8	9.2	5.9	...	...	...	...	2 Cl. 1	A387	
18.3	18.3	17.9	17.3	16.9	16.6	16.3	15.9	15.4	14.0	11.3	7.2	4.5	2.8	1.8	1.1	12 Cl. 1	A387	
17.4	17.2	17.1	16.8	16.6	16.3	13.2	12.8	12.1	11.4	10.6	7.4	5.0	3.3	2.2	1.5	9 Cl. 1	A387	

(12)

**Table A-1 Basic Allowable Stresses in Tension for Metals<sup>1</sup> (Cont'd)**

Numbers in Parentheses Refer to Notes for Appendix A Tables; Specifications Are ASTM Unless Otherwise Indicated

Nominal Composition	Spec. No.	Type/ Grade	UNS No.	Class/ Condition/ Temper	Size, in.	P-No. (5)	Notes	Min. Temp., °F (6)	Specified Min. Strength, ksi		Min. Temp.	
									Tensile	Yield	to 100	200
<b>Low and Intermediate Alloy Steel (Cont'd)</b>												
<b>Plates (Cont'd)</b>												
1 $\frac{1}{4}$ Cr- $\frac{1}{2}$ Mo	A387	11	K11789	1	...	4	...	-20	60	35	20.0	20.0
5Cr- $\frac{1}{2}$ Mo	A387	5	K41545	1	...	5B	...	-20	60	30	20.0	18.1
3Cr-1Mo	A387	21	K31545	1	...	5A	...	-20	60	30	20.0	18.5
2 $\frac{1}{4}$ Cr-1Mo	A387	22	K21590	1	...	5A	(72)	-20	60	30	20.0	18.5
2 $\frac{1}{4}$ Ni	A203	A	K21703	...	...	9A	(12)(65)	-20	65	37	21.7	19.6
3 $\frac{1}{2}$ Ni	A203	D	K31718	...	...	9B	(12)(65)	-20	65	37	21.7	19.6
C- $\frac{1}{2}$ Mo	A204	A	K11820	...	...	3	(58)	-20	65	37	21.7	21.7
1Cr- $\frac{1}{2}$ Mo	A387	12	K11757	2	...	4	...	-20	65	40	21.7	21.7
2 $\frac{1}{4}$ Ni	A203	B	K22103	...	...	9A	(12)(65)	-20	70	40	23.3	21.1
3 $\frac{1}{2}$ Ni	A203	E	K32018	...	...	9B	(12)(65)	-20	70	40	23.3	21.1
$\frac{1}{2}$ Cr- $\frac{1}{2}$ Mo	A387	2	K12143	2	...	3	...	-20	70	45	23.3	17.5
C- $\frac{1}{2}$ Mo	A204	B	K12020	...	...	3	(58)	-20	70	40	23.3	23.3
Cr-Mn-Si	A202	A	K11742	...	...	4	...	-20	75	45	25.0	23.9
Mn-Mo	A302	A	K12021	...	...	3	...	-20	75	45	25.0	25.0
C- $\frac{1}{2}$ Mo	A204	C	K12320	...	...	3	(58)	-20	75	43	25.0	25.0
1 $\frac{1}{4}$ Cr- $\frac{1}{2}$ Mo	A387	11	K11789	2	...	4	...	-20	75	45	25.0	25.0
5Cr- $\frac{1}{2}$ Mo	A387	5	K41545	2	...	5B	...	-20	75	45	25.0	24.9
3Cr- $\frac{1}{2}$ Mo	A387	21	K31545	2	...	5A	...	-20	75	45	25.0	25.0
2 $\frac{1}{4}$ Cr-1Mo	A387	22	K21590	2	...	5A	(72)	-20	75	45	25.0	25.0
Mn-Mo	A302	B	K12022	...	...	3	...	-20	80	50	26.7	26.7
Mn-Mo-Ni	A302	C	K12039	...	...	3	...	-20	80	50	26.7	26.7
Mn-Mo-Ni	A302	D	K12054	...	...	3	...	-20	80	50	26.7	26.7
Cr-Mn-Si	A202	B	K12542	...	...	4	...	-20	85	47	28.4	27.1
9Cr-1Mo-V	A387	91	K90901	2	≤ 3 thk.	15E	...	-20	85	60	28.3	28.3
8Ni	A553	II	K71340	...	...	11A	(47)	-275	100	85	31.7	...
5Ni	A645	...	K41583	...	...	11A	...	-275	95	65	31.7	31.6
9Ni	A553	I	K81340	...	...	11A	(47)	-320	100	85	31.7	31.7
9Ni	A353	...	K81340	...	...	11A	(47)	-320	100	75	31.7	31.7
<b>Forgings and Fittings (2)</b>												
C- $\frac{1}{2}$ Mo	A234	WP1	K12821	...	...	3	(58)	-20	55	30	18.3	18.3
1Cr- $\frac{1}{2}$ Mo	A182	F12	K11562	1	...	4	(9)	-20	60	32	20.0	19.3
1Cr- $\frac{1}{2}$ Mo	A234	WP12	K12062	1	...	4	...	-20	60	32	20.0	19.3
1 $\frac{1}{4}$ Cr- $\frac{1}{2}$ Mo	A182	F11	K11597	1	...	4	(9)	-20	60	30	20.0	18.7
1 $\frac{1}{4}$ Cr- $\frac{1}{2}$ Mo	A234	WP11	K11597	1	...	4	...	-20	60	30	20.0	18.7

**Table A-1 Basic Allowable Stresses in Tension for Metals<sup>1</sup> (Cont'd)**  
 Numbers in Parentheses Refer to Notes for Appendix A Tables; Specifications Are ASTM Unless Otherwise Indicated

Basic Allowable Stress, S, ksi (1), at Metal Temperature, °F																	Type/ Grade	Spec. No.
300	400	500	600	650	700	750	800	850	900	950	1,000	1,050	1,100	1,150	1,200			
																	Low and Intermediate Alloy Steel (Cont'd) Plates (Cont'd)	
20.0	19.7	18.9	18.3	18.0	17.6	17.3	16.8	16.3	13.7	9.3	6.3	4.2	2.8	1.9	1.2	11 Cl. 1	A387	
17.4	17.2	17.1	16.8	16.6	16.3	13.2	12.8	12.1	10.9	8.0	5.8	4.2	2.9	1.8	1.0	5 Cl. 1	A387	
18.1	17.9	17.9	17.9	17.9	17.9	17.9	17.8	14.0	12.0	9.0	7.0	5.5	4.0	2.7	1.5	21 Cl. 1	A387	
18.0	17.9	17.9	17.9	17.9	17.9	17.9	17.8	14.5	12.8	10.8	8.0	5.7	3.8	2.4	1.4	22 Cl. 1	A387	
19.6	16.3	16.3	16.3	16.3	15.5	13.9	11.4	9.0	6.5	4.5	2.5	...	...	...	...	A	A203	
19.6	16.3	16.3	16.3	16.3	15.5	13.9	11.4	9.0	6.5	4.5	2.5	...	...	...	...	D	A203	
21.7	20.7	20.0	19.3	19.0	18.6	16.3	15.8	15.3	13.7	8.2	4.8	4.0	2.4	...	...	A	A204	
21.7	21.7	21.7	20.9	20.5	20.1	19.7	19.2	18.7	18.0	11.3	7.2	4.5	2.8	1.8	1.1	12 Cl. 2	A387	
21.1	17.5	17.5	17.5	17.5	16.6	14.8	12.0	9.3	6.5	4.5	2.5	...	...	...	...	B	A203	
21.1	17.5	17.5	17.5	17.5	16.6	14.8	12.0	9.3	6.5	4.5	2.5	...	...	...	...	E	A203	
17.5	17.5	17.5	17.5	17.5	17.5	17.5	17.5	16.8	14.5	10.0	6.3	...	...	...	...	2 Cl. 2	A387	
23.3	22.5	21.7	20.9	20.5	20.1	17.5	17.5	17.1	13.7	8.2	4.8	4.0	2.4	...	...	B	A204	
22.8	21.6	20.5	19.3	18.8	17.7	15.7	12.0	7.8	5.0	3.0	1.5	...	...	...	...	A	A202	
25.0	25.0	25.0	25.0	25.0	25.0	18.3	17.7	16.8	13.7	8.2	4.8	...	...	...	...	A	A302	
25.0	24.1	23.3	22.5	22.1	21.7	18.8	18.8	18.3	13.7	8.2	4.8	4.0	2.4	...	...	C	A204	
25.0	25.0	24.3	23.5	23.1	22.7	22.2	21.6	21.1	13.7	9.3	6.3	4.2	2.8	1.9	1.2	11 Cl. 2	A387	
24.2	24.1	23.9	23.6	23.2	22.8	16.5	16.0	15.1	10.9	8.0	5.8	4.2	2.9	1.8	1.0	5 Cl. 2	A387	
24.5	24.1	23.9	23.8	23.6	23.4	23.0	22.5	19.0	13.1	9.5	6.8	4.9	3.2	2.4	1.3	21 Cl. 2	A387	
24.5	24.1	23.9	23.8	23.6	23.4	23.0	22.5	21.8	17.0	11.4	7.8	5.1	3.2	2.0	1.2	22 Cl. 2	A387	
26.7	26.7	26.7	26.7	26.7	26.7	19.6	18.8	17.9	13.7	8.2	4.8	...	...	...	...	B	A302	
26.7	26.7	26.7	26.7	26.7	26.7	19.6	18.8	17.9	13.7	8.2	4.8	...	...	...	...	C	A302	
26.7	26.7	26.7	26.7	26.7	26.7	19.6	18.8	17.9	13.7	8.2	4.8	...	...	...	...	D	A302	
25.8	24.5	23.2	21.9	21.3	19.8	17.7	12.0	7.8	5.0	3.0	1.5	...	...	...	...	B	A202	
28.3	28.2	28.1	27.7	27.3	26.7	25.9	24.9	23.7	22.3	20.7	18.0	14.0	10.3	7.0	4.3	91 Cl. 2	A387	
...	...	...	...	...	...	...	...	...	...	...	...	...	...	...	...	II	A553	
...	...	...	...	...	...	...	...	...	...	...	...	...	...	...	...	...	A645	
...	...	...	...	...	...	...	...	...	...	...	...	...	...	...	...	I	A553	
...	...	...	...	...	...	...	...	...	...	...	...	...	...	...	...	...	A353	
																	Forgings and Fittings (2)	
17.5	16.9	16.3	15.7	15.4	15.1	13.8	13.5	13.2	12.7	8.2	4.8	4.0	2.4	...	...	WP1	A234	
18.1	17.3	16.7	16.3	16.0	15.8	15.5	15.3	14.9	14.5	11.3	7.2	4.5	2.8	1.8	1.1	F12 Cl. 1	A182	
18.1	17.3	16.7	16.3	16.0	15.8	15.5	15.3	14.9	14.5	11.3	7.2	4.5	2.8	1.8	1.1	WP12 Cl. 1	A234	
18.0	17.5	17.2	16.7	16.2	15.6	15.2	15.0	14.5	12.8	9.3	6.3	4.2	2.8	1.9	1.2	F11 Cl. 1	A182	
18.0	17.5	17.2	16.7	16.2	15.6	15.2	15.0	14.5	12.8	9.3	6.3	4.2	2.8	1.9	1.2	WP11 Cl. 1	A234	

(12) **Table A-1 Basic Allowable Stresses in Tension for Metals<sup>1</sup> (Cont'd)**

Numbers in Parentheses Refer to Notes for Appendix A Tables; Specifications Are ASTM Unless Otherwise Indicated

Nominal Composition	Spec. No.	Type/ Grade	UNS No.	Class/ Condition/ Temper	Size, in.	P-No. (5)	Notes	Min. Temp., °F (6)	Specified Min. Strength, ksi		Min. Temp.	
									Tensile	Yield	to 100	200
<b>Low and Intermediate Alloy Steel (Cont'd)</b>												
<b>Forgings and Fittings (2) (Cont'd)</b>												
2 <sup>1</sup> / <sub>4</sub> Cr-1Mo	A182	F22	K21590	1	...	5A	(9)(72)(75)	-20	60	30	20.0	18.5
2 <sup>1</sup> / <sub>4</sub> Cr-1Mo	A234	WP22	K21590	1	...	5A	(72)	-20	60	30	20.0	18.5
5Cr- <sup>1</sup> / <sub>2</sub> Mo	A234	WP5	K41545	...	...	5B	...	-20	60	30	20.0	18.1
9Cr-1Mo	A234	WP9	K90941	...	...	5B	...	-20	60	30	20.0	18.1
3 <sup>1</sup> / <sub>2</sub> Ni	A420	WPL3	K31918	...	...	9B	...	-150	65	35	21.7	...
3 <sup>1</sup> / <sub>2</sub> Ni	A350	LF3	K32025	...	...	9B	(9)	-150	70	37.5	23.3	...
<sup>1</sup> / <sub>2</sub> Cr- <sup>1</sup> / <sub>2</sub> Mo	A182	F2	K12122	...	...	3	(9)	-20	70	40	23.3	23.3
C- <sup>1</sup> / <sub>2</sub> Mo	A182	F1	K12822	...	...	3	(9)(58)	-20	70	40	23.3	23.3
1Cr- <sup>1</sup> / <sub>2</sub> Mo	A182	F12	K11564	2	...	4	(9)	-20	70	40	23.3	23.3
1Cr- <sup>1</sup> / <sub>2</sub> Mo	A234	WP12	K12062	2	...	4	...	-20	70	40	23.3	23.3
1 <sup>1</sup> / <sub>4</sub> Cr- <sup>1</sup> / <sub>2</sub> Mo	A182	F11	K11572	2	...	4	(9)	-20	70	40	23.3	23.3
1 <sup>1</sup> / <sub>4</sub> Cr- <sup>1</sup> / <sub>2</sub> Mo	A234	WP11	K11572	2	...	4	...	-20	70	40	23.3	23.3
5Cr- <sup>1</sup> / <sub>2</sub> Mo	A182	F5	K41545	...	...	5B	(9)	-20	70	40	23.3	23.3
3Cr-1Mo	A182	F21	K31545	...	...	5A	(9)	-20	75	45	25.0	25.0
2 <sup>1</sup> / <sub>4</sub> Cr-1Mo	A182	F22	K21590	3	...	5A	(9)(72)	-20	75	45	25.0	25.0
2 <sup>1</sup> / <sub>4</sub> Cr-1Mo	A234	WP22	K21590	3	...	5A	(72)	-20	75	45	25.0	25.0
9Cr-1Mo	A182	F9	K90941	...	...	5B	(9)	-20	85	55	28.3	28.3
9Cr-1Mo-V	A182	F91	K90901	...	≤ 3 thk.	15E	...	-20	85	60	28.3	28.3
9Cr-1Mo-V	A234	WP91	K90901	...	≤ 3 thk.	15E	...	-20	85	60	28.3	28.3
5Cr- <sup>1</sup> / <sub>2</sub> Mo	A182	F5a	K42544	...	...	5B	(9)	-20	90	65	30.0	29.9
9Ni	A420	WPL8	K81340	...	...	11A	(47)	-320	100	75	33.3	33.3
<b>Castings (2)</b>												
C- <sup>1</sup> / <sub>2</sub> Mo	A352	LC1	J12522	...	...	3	(9)(58)	-75	65	35	21.7	21.5
C- <sup>1</sup> / <sub>2</sub> Mo	A217	WC1	J12524	...	...	3	(9)(58)	-20	65	35	21.7	21.5
2 <sup>1</sup> / <sub>2</sub> Ni	A352	LC2	J22500	...	...	9A	(9)	-100	70	40	23.3	17.5
3 <sup>1</sup> / <sub>2</sub> Ni	A352	LC3	J31550	...	...	9B	(9)	-150	70	40	23.3	17.5
Ni-Cr- <sup>1</sup> / <sub>2</sub> Mo	A217	WC4	J12082	...	...	4	(9)	-20	70	40	23.3	23.3
Ni-Cr-1Mo	A217	WC5	J22000	...	...	4	(9)	-20	70	40	23.3	23.3
1 <sup>1</sup> / <sub>4</sub> Cr- <sup>1</sup> / <sub>2</sub> Mo	A217	WC6	J12072	...	...	4	(9)	-20	70	40	23.3	23.3
2 <sup>1</sup> / <sub>4</sub> Cr-1Mo	A217	WC9	J21890	...	...	5A	(9)	-20	70	40	23.3	23.3
5Cr- <sup>1</sup> / <sub>2</sub> Mo	A217	C5	J42045	...	...	5B	(9)	-20	90	60	30.0	29.9
9Cr-1Mo	A217	C12	J82090	...	...	5B	(9)	-20	90	60	30.0	29.9

**Table A-1 Basic Allowable Stresses in Tension for Metals<sup>1</sup> (Cont'd)**  
 Numbers in Parentheses Refer to Notes for Appendix A Tables; Specifications Are ASTM Unless Otherwise Indicated

Basic Allowable Stress, S, ksi (1), at Metal Temperature, °F																	Type/ Grade	Spec. No.
300	400	500	600	650	700	750	800	850	900	950	1,000	1,050	1,100	1,150	1,200			
																	<b>Low and Intermediate Alloy Steel (Cont'd)</b>	
																	<b>Forgings and Fittings (2) (Cont'd)</b>	
18.0	17.9	17.9	17.9	17.9	17.9	17.9	17.8	14.5	12.8	10.8	7.8	5.1	3.2	2.0	1.2	F22 Cl. 1	A182	
18.0	17.9	17.9	17.9	17.9	17.9	17.9	17.8	14.5	12.8	10.8	7.8	5.1	3.2	2.0	1.2	WP22 Cl. 1	A234	
17.4	17.2	17.1	16.8	16.6	16.3	13.2	12.8	12.1	10.9	8.0	5.8	4.2	2.9	1.8	1.0	WP5	A234	
17.4	17.2	17.1	16.8	16.6	16.3	13.2	12.8	12.1	11.4	10.6	7.4	5.0	3.3	2.2	1.5	WP9	A234	
...	...	...	...	...	...	...	...	...	...	...	...	...	...	...	...	WPL3	A420	
...	...	...	...	...	...	...	...	...	...	...	...	...	...	...	...	LF3	A350	
23.3	22.5	21.7	20.9	20.5	20.1	17.5	17.5	17.1	15.0	9.2	5.9	...	...	...	...	F2	A182	
23.3	22.5	21.7	20.9	20.5	20.1	17.5	17.5	17.1	13.7	8.2	4.8	4.0	2.4	...	...	F1	A182	
23.3	22.5	21.7	20.9	20.5	20.1	19.7	19.2	18.7	18.0	11.3	7.2	4.5	2.8	1.8	1.1	F12 Cl. 2	A182	
23.3	22.5	21.7	20.9	20.5	20.1	19.7	19.2	18.7	18.0	11.3	7.2	4.5	2.8	1.8	1.1	WP12 Cl. 2	A234	
23.3	22.5	21.7	20.9	20.5	20.1	19.7	19.2	18.7	13.7	9.3	6.3	4.2	2.8	1.9	1.2	F11 Cl. 2	A182	
23.3	22.5	21.7	20.9	20.5	20.1	19.7	19.2	18.7	13.7	9.3	6.3	4.2	2.8	1.9	1.2	WP11 Cl. 2	A234	
22.6	22.4	22.4	22.0	21.7	21.3	15.4	14.8	14.1	10.9	8.0	5.8	4.2	2.9	1.8	1.0	F5	A182	
24.5	24.1	23.9	23.8	23.6	23.4	23.0	22.5	19.0	13.1	9.5	6.8	4.9	3.2	2.4	1.3	F21	A182	
24.5	24.1	23.9	23.8	23.6	23.4	23.0	22.5	21.8	17.0	11.4	7.8	5.1	3.2	2.0	1.2	F22 Cl. 3	A182	
24.5	24.1	23.9	23.8	23.6	23.4	23.0	22.5	21.8	17.0	11.4	7.8	5.1	3.2	2.0	1.2	WP22 Cl. 3	A234	
27.5	27.2	27.1	26.8	26.3	25.8	18.7	18.1	17.1	16.2	11.0	7.4	5.0	3.3	2.2	1.5	F9	A182	
28.3	28.2	28.1	27.7	27.3	26.7	25.9	24.9	23.7	22.3	20.7	18.0	14.0	10.3	7.0	4.3	F91	A182	
28.3	28.2	28.1	27.7	27.3	26.7	25.9	24.9	23.7	22.3	20.7	18.0	14.0	10.3	7.0	4.3	WP91	A234	
29.1	28.9	28.7	28.3	27.9	27.3	19.8	19.1	14.3	10.9	8.0	5.8	4.2	2.9	1.8	1.0	F5a	A182	
...	...	...	...	...	...	...	...	...	...	...	...	...	...	...	...	WPL8	A420	
																	<b>Castings (2)</b>	
20.5	19.7	18.9	18.3	18.0	17.6	...	...	...	...	...	...	...	...	...	...	LC1	A352	
20.5	19.7	18.9	18.3	18.0	17.6	16.2	15.8	15.3	13.7	8.2	4.8	4.0	2.4	...	...	WC1	A217	
17.5	17.5	17.5	17.5	17.5	...	...	...	...	...	...	...	...	...	...	...	LC2	A352	
17.5	17.5	17.5	17.5	17.5	...	...	...	...	...	...	...	...	...	...	...	LC3	A352	
23.3	22.5	21.7	20.9	20.5	20.1	17.5	17.5	17.1	15.0	9.2	5.9	...	...	...	...	WC4	A217	
23.3	22.5	21.7	20.9	20.5	20.1	17.5	17.5	17.1	16.3	11.0	6.9	4.6	2.8	...	...	WC5	A217	
23.3	22.5	21.7	20.9	20.5	20.1	19.7	19.2	18.7	14.5	11.0	6.9	4.6	2.8	2.5	1.3	WC6	A217	
23.1	22.5	22.4	22.4	22.2	21.9	21.5	21.0	19.8	17.0	11.4	7.8	5.1	3.2	2.0	1.2	WC9	A217	
29.1	28.9	28.7	28.3	27.9	27.3	19.8	19.1	14.3	10.9	8.0	5.8	4.2	2.9	1.8	1.0	C5	A217	
29.1	28.9	28.7	28.3	27.9	27.3	19.8	19.1	18.2	16.5	11.0	7.4	5.0	3.3	2.2	1.5	C12	A217	

(12) **Table A-1 Basic Allowable Stresses in Tension for Metals<sup>1</sup> (Cont'd)**

Numbers in Parentheses Refer to Notes for Appendix A Tables; Specifications Are ASTM Unless Otherwise Indicated

Material	Product Form	Spec. No.	Type/Grade	UNS No.	Class/Condition/ Temper	Size, in.	P-No. (5)	Notes	Min. Temp., °F (6)	Specified Min. Strength, ksi		Min. Temp.						
										Tensile	Yield	to 100	200	300	400			
<b>Stainless Steel (3)(4a)</b>																		
<b>Pipes and Tubes (2)</b>																		
18Cr-10Ni-Ti	Smls. pipe	A312	TP321	S32100	...	> 3/8 thk.	8	(30)(36)	-425	70	25	16.7	16.7	16.7	16.7			
18Cr-10Ni-Ti	Pipe	A376	TP321	S32100	...	> 3/8 thk.	8	(30)(36)	-425	70	25	16.7	16.7	16.7	16.7			
18Cr-8Ni	Tube	A213	TP304L	S30403	...	...	8	(14)(36)	-425	70	25	16.7	16.7	16.7	15.8			
18Cr-8Ni	Tube	A269	TP304L	S30403	...	...	8	(14)(36)	-425	70	25	16.7	16.7	16.7	15.8			
18Cr-8Ni	Pipe	A312	TP304L	S30403	...	...	8	...	-425	70	25	16.7	16.7	16.7	15.8			
A240 Type 304L	Pipe	A358	304L	S30403	...	...	8	(36)	-425	70	25	16.7	16.7	16.7	15.8			
16Cr-12Ni-2Mo	Tube	A213	TP316L	S31603	...	...	8	(14)(36)	-425	70	25	16.7	16.7	16.7	15.7			
16Cr-12Ni-2Mo	Tube	A269	TP316L	S31603	...	...	8	(14)(36)	-425	70	25	16.7	16.7	16.7	15.7			
16Cr-12Ni-2Mo	Pipe	A312	TP316L	S31603	...	...	8	...	-425	70	25	16.7	16.7	16.7	15.7			
A240 Type 316L	Pipe	A358	316L	S31603	...	...	8	(36)	-425	70	25	16.7	16.7	16.7	15.7			
18Cr-10Ni-Ti	Smls. pipe	A312	TP321	S32100	...	> 3/8 thk.	8	(28)(30)(36)	-425	70	25	16.7	16.7	16.7	16.7			
18Cr-10Ni-Ti	Pipe	A376	TP321	S32100	...	> 3/8 thk.	8	(28)(30)(36)	-425	70	25	16.7	16.7	16.7	16.7			
18Cr-10Ni-Ti	Smls. pipe	A312	TP321H	S32109	...	> 3/8 thk.	8	(30)(36)	-325	70	25	16.7	16.7	16.7	16.7			
18Cr-10Ni-Ti	Pipe	A376	TP321H	S32109	...	> 3/8 thk.	8	...	-325	70	25	16.7	16.7	16.7	16.7			
23Cr-13Ni	...	A451	CPH8	J93400	...	...	8	(26)(28)(35)	-325	65	28	18.7	18.7	18.5	18.0			
25Cr-20Ni	...	A451	CPK20	J94202	...	...	8	(12)(28)(35)(39)	-325	65	28	18.7	18.7	18.5	18.0			
11Cr-Ti	Tube	A268	TP409	S40900	...	...	7	(35)	-20	60	30	20.0	...	...	...			
18Cr-Ti	Tube	A268	TP430Ti	S43036	...	...	7	(35)(49)	-20	60	40	20.0	...	...	...			
15Cr-13Ni-2Mo-Cb	...	A451	CPF10MC	...	...	...	8	(28)	-325	70	30	20.0	...	...	...			
16Cr-8Ni-2Mo	Pipe	A376	16-8-2H	S16800	...	...	8	(26)(31)(35)	-325	75	30	20.0	...	...	...			
12Cr-Al	Tube	A268	TP405	S40500	...	...	7	(35)	-20	60	30	20.0	20.0	19.6	19.3			
13Cr	Tube	A268	TP410	S41000	...	...	6	(35)	-20	60	30	20.0	20.0	19.6	19.3			
16Cr	Tube	A268	TP430	S43000	...	...	7	(35)(49)	-20	60	35	20.0	20.0	19.6	19.3			
18Cr-13Ni-3Mo	Pipe	A312	TP317L	S31703	...	...	8	...	-325	75	30	20.0	20.0	20.0	18.9			
25Cr-20Ni	Pipe	A312	TP310	...	...	...	8	(28)(35)(39)	-325	75	30	20.0	20.0	20.0	20.0			
A240 Type 310S	...	A358	310S	S31008	...	...	8	(28)(31)(35)(36)	-325	75	30	20.0	20.0	20.0	20.0			
25Cr-20Ni	Pipe	A409	TP310	S31000	...	...	8	(28)(31)(35)(36)(39)	-325	75	30	20.0	20.0	20.0	20.0			
18Cr-10Ni-Ti	Smls. & wld. pipe	A312	TP321	S32100	...	≤ 3/8 thk.	8	(30)	-425	75	30	20.0	20.0	20.0	20.0			
18Cr-10Ni-Ti	Pipe	A358	321	S32100	...	...	8	(30)(36)	-425	75	30	20.0	20.0	20.0	20.0			
18Cr-10Ni-Ti	Pipe	A376	TP321	S32100	...	≤ 3/8 thk.	8	(30)(36)	-425	75	30	20.0	20.0	20.0	20.0			
18Cr-10Ni-Ti	Pipe	A409	TP321	S32100	...	...	8	(30)(36)	-425	75	30	20.0	20.0	20.0	20.0			
23Cr-12Ni	Pipe	A312	TP309	...	...	...	8	(28)(35)(39)	-325	75	30	20.0	20.0	20.0	20.0			
A240 Type 309S	...	A358	309S	S30908	...	...	8	(28)(31)(35)(36)	-325	75	30	20.0	20.0	20.0	20.0			
23Cr-12Ni	Pipe	A409	TP309	S30900	...	...	8	(28)(31)(35)(36)(39)	-325	75	30	20.0	20.0	20.0	20.0			
18Cr-8Ni	...	A451	CPF8	J92600	...	...	8	(26)(28)	-425	70	30	20.0	20.0	20.0	18.6			



**Table A-1 Basic Allowable Stresses in Tension for Metals<sup>1</sup> (Cont'd)** (12)  
 Numbers in Parentheses Refer to Notes for Appendix A Tables; Specifications Are ASTM Unless Otherwise Indicated

Basic Allowable Stress, S, ksi (1), at Metal Temperature, °F																				Type/ Grade	Spec. No.
500	600	650	700	750	800	850	900	950	1,000	1,050	1,100	1,150	1,200	1,250	1,300	1,350	1,400	1,450	1,500		
																				<b>Stainless Steel (3)(4a) Pipes and Tubes (2)</b>	
16.1	15.2	14.9	14.6	14.3	14.1	14.0	13.8	13.6	13.5	9.6	6.9	5.0	3.6	2.6	1.7	1.1	0.8	0.5	0.3	TP321	A312
16.1	15.2	14.9	14.6	14.3	14.1	14.0	13.8	13.6	13.5	9.6	6.9	5.0	3.6	2.6	1.7	1.1	0.8	0.5	0.3	TP321	A376
14.7	14.0	13.7	13.5	13.3	13.0	12.8	12.6	12.3	12.0	6.3	5.1	4.0	3.2	2.6	2.1	1.7	1.1	1.0	0.9	TP304L	A213
14.7	14.0	13.7	13.5	13.3	13.0	12.8	12.6	12.3	12.0	6.3	5.1	4.0	3.2	2.6	2.1	1.7	1.1	1.0	0.9	TP304L	A269
14.7	14.0	13.7	13.5	13.3	13.0	12.8	12.6	12.3	12.0	6.3	5.1	4.0	3.2	2.6	2.1	1.7	1.1	1.0	0.9	TP304L	A312
14.7	14.0	13.7	13.5	13.3	13.0	12.8	12.6	12.3	12.0	6.3	5.1	4.0	3.2	2.6	2.1	1.7	1.1	1.0	0.9	304L	A358
14.8	14.0	13.7	13.5	13.2	12.9	12.7	12.4	12.1	11.8	11.6	11.4	8.8	6.4	4.7	3.5	2.5	1.8	1.3	1.0	TP316L	A213
14.8	14.0	13.7	13.5	13.2	12.9	12.7	12.4	12.1	11.8	11.6	11.4	8.8	6.4	4.7	3.5	2.5	1.8	1.3	1.0	TP316L	A269
14.8	14.0	13.7	13.5	13.2	12.9	12.7	12.4	12.1	11.8	11.6	11.4	8.8	6.4	4.7	3.5	2.5	1.8	1.3	1.0	TP316L	A312
14.8	14.0	13.7	13.5	13.2	12.9	12.7	12.4	12.1	11.8	11.6	11.4	8.8	6.4	4.7	3.5	2.5	1.8	1.3	1.0	316L	A358
16.1	15.2	14.9	14.6	14.3	14.1	13.9	13.8	13.6	13.5	12.3	9.1	6.9	5.4	4.1	3.2	2.5	1.9	1.5	1.1	TP321	A312
16.1	15.2	14.9	14.6	14.3	14.1	13.9	13.8	13.6	13.5	12.3	9.1	6.9	5.4	4.1	3.2	2.5	1.9	1.5	1.1	TP321	A376
16.1	15.2	14.9	14.6	14.3	14.1	13.9	13.8	13.6	13.5	12.3	9.1	6.9	5.4	4.1	3.2	2.5	1.9	1.5	1.1	TP321H	A312
16.1	15.2	14.9	14.6	14.3	14.1	13.9	13.8	13.6	13.5	12.3	9.1	6.9	5.4	4.1	3.2	2.5	1.9	1.5	1.1	TP321H	A376
17.7	17.1	16.7	16.3	15.9	15.4	14.9	14.4	13.9	11.1	8.5	6.5	5.0	3.8	2.9	2.3	1.8	1.3	0.9	0.8	CPH8	A451
17.7	17.1	16.7	16.3	15.9	15.4	14.9	14.4	13.9	11.3	9.8	8.5	7.3	6.0	4.8	3.5	2.4	1.6	1.1	0.8	CPK20	A451
...	...	...	...	...	...	...	...	...	...	...	...	...	...	...	...	...	...	...	...	TP409	A268
...	...	...	...	...	...	...	...	...	...	...	...	...	...	...	...	...	...	...	...	TP430Ti	A268
...	...	...	...	...	...	...	...	...	...	...	...	...	...	...	...	...	...	...	...	CPF10MC	A451
...	...	...	...	...	...	...	...	...	...	...	...	...	...	...	...	...	...	...	...	16-8-2H	A376
19.0	18.5	18.1	17.7	17.1	16.4	15.6	14.3	8.4	4.0	...	...	...	...	...	...	...	...	...	...	TP405	A268
19.0	18.5	18.1	17.7	17.1	16.4	15.6	12.3	8.8	6.4	4.4	2.9	1.8	1.0	...	...	...	...	...	...	TP410	A268
19.0	18.5	18.1	17.7	17.1	16.4	15.6	12.0	9.2	6.5	4.5	3.2	2.4	1.8	...	...	...	...	...	...	TP430	A268
17.7	16.9	16.5	16.2	15.8	15.5	15.2	...	...	...	...	...	...	...	...	...	...	...	...	...	TP317L	A312
19.3	18.5	18.2	17.9	17.7	17.4	17.2	16.9	15.9	9.9	7.1	5.0	3.6	2.5	1.5	0.8	0.5	0.4	0.3	0.2	TP310	A312
19.3	18.5	18.2	17.9	17.7	17.4	17.2	16.9	15.9	9.9	7.1	5.0	3.6	2.5	1.5	0.8	0.5	0.4	0.3	0.2	310S	A358
19.3	18.5	18.2	17.9	17.7	17.4	17.2	16.9	15.9	9.9	7.1	5.0	3.6	2.5	1.5	0.8	0.5	0.4	0.3	0.2	TP310	A409
19.3	18.3	17.9	17.5	17.2	16.9	16.7	16.5	16.4	16.2	9.6	6.9	5.0	3.6	2.6	1.7	1.1	0.8	0.5	0.3	TP321	A312
19.3	18.3	17.9	17.5	17.2	16.9	16.7	16.5	16.4	16.2	9.6	6.9	5.0	3.6	2.6	1.7	1.1	0.8	0.5	0.3	321	A358
19.3	18.3	17.9	17.5	17.2	16.9	16.7	16.5	16.4	16.2	9.6	6.9	5.0	3.6	2.6	1.7	1.1	0.8	0.5	0.3	TP321	A376
19.3	18.3	17.9	17.5	17.2	16.9	16.7	16.5	16.4	16.2	9.6	6.9	5.0	3.6	2.6	1.7	1.1	0.8	0.5	0.3	TP321	A409
19.4	18.8	18.5	18.2	18.0	17.7	17.5	17.2	16.9	13.8	10.3	7.6	5.5	4.0	3.0	2.2	1.7	1.3	1.0	0.8	TP309	A312
19.4	18.8	18.5	18.2	18.0	17.7	17.5	17.2	16.9	13.8	10.3	7.6	5.5	4.0	3.0	2.2	1.7	1.3	1.0	0.8	309S	A358
19.4	18.8	18.5	18.2	18.0	17.7	17.5	17.2	16.9	13.8	10.3	7.6	5.5	4.0	3.0	2.2	1.7	1.3	1.0	0.8	TP309	A409
17.5	16.6	16.2	15.8	15.5	15.2	14.9	14.6	14.3	12.2	9.5	7.5	6.0	4.8	3.9	3.3	2.7	2.3	2.0	1.7	CPF8	A451

(12) **Table A-1 Basic Allowable Stresses in Tension for Metals<sup>1</sup> (Cont'd)**

Numbers in Parentheses Refer to Notes for Appendix A Tables; Specifications Are ASTM Unless Otherwise Indicated

Material	Product Form	Spec. No.	Type/Grade	UNS No.	Class/Condition/ Temper	P-No. Size, in. (5)	Notes	Min. Temp., °F (6)	Specified Min. Strength, ksi		Min. Temp.				
									Tensile	Yield	to 100	200	300	400	
<b>Stainless Steel (3)(4a) (Cont'd)</b>															
<b>Pipes and Tubes (2) (Cont'd)</b>															
18Cr-10Ni-Cb	Pipe	A312	TP347	S34700	...	...	8	...	-425	75	30	20.0	20.0	20.0	20.0
A240 Type 347	Pipe	A358	347	S34700	...	...	8	(30)(36)	-425	75	30	20.0	20.0	20.0	20.0
18Cr-10Ni-Cb	Pipe	A376	TP347	S34700	...	...	8	(30)(36)	-425	75	30	20.0	20.0	20.0	20.0
18Cr-10Ni-Cb	Pipe	A409	TP347	S34700	...	...	8	(30)(36)	-425	75	30	20.0	20.0	20.0	20.0
18Cr-10Ni-Cb	Pipe	A312	TP348	S34800	...	...	8	...	-325	75	30	20.0	20.0	20.0	20.0
A240 Type 348	Pipe	A358	348	S34800	...	...	8	(30)(36)	-325	75	30	20.0	20.0	20.0	20.0
18Cr-10Ni-Cb	Pipe	A376	TP348	S34800	...	...	8	(30)(36)	-325	75	30	20.0	20.0	20.0	20.0
18Cr-10Ni-Cb	Pipe	A409	TP348	S34800	...	...	8	(30)(36)	-325	75	30	20.0	20.0	20.0	20.0
23Cr-13Ni	...	A451	CPH10	J93402	...	...	8	(12)(14)(28)(35)(39)	-325	70	30	20.0	20.0	19.9	19.4
23Cr-13Ni	...	A451	CPH20	J93402	...	...	8	(12)(14)(28)(35)(39)	-325	70	30	20.0	20.0	19.9	19.4
25Cr-20Ni	Pipe	A312	TP310	...	...	...	8	(28)(29)(35)(39)	-325	75	30	20.0	20.0	20.0	20.0
A240 Type 310S	Pipe	A358	310S	S31008	...	...	8	(28)(29)(31)(35)(36)	-325	75	30	20.0	20.0	20.0	20.0
18Cr-10Ni-Cb	...	A451	CPF8C	J92710	...	...	8	(28)	-325	70	30	20.0	20.0	20.0	18.6
18Cr-10Ni-Ti	Smls. & wld. pipe	A312	TP321	S32100	...	≤ 3/8 thk.	8	(28)(30)	-425	75	30	20.0	20.0	20.0	20.0
A240 Type 321	Pipe	A358	321	S32100	...	...	8	(28)(30)(36)	-425	75	30	20.0	20.0	20.0	20.0
18Cr-10Ni-Ti	Pipe	A376	TP321	S32100	...	≤ 3/8 thk.	8	(28)(30)(36)	-425	75	30	20.0	20.0	20.0	20.0
18Cr-10Ni-Ti	Pipe	A409	TP321	S32100	...	...	8	(28)(30)(36)	-425	75	30	20.0	20.0	20.0	20.0
18Cr-10Ni-Ti	Pipe	A376	TP321H	S32109	...	≤ 3/8 thk.	8	(30)(36)	-325	75	30	20.0	20.0	20.0	20.0
18Cr-10Ni-Ti	Smls. & wld. pipe	A312	TP321H	S32109	...	≤ 3/8 thk.	8	...	-325	75	30	20.0	20.0	20.0	20.0
16Cr-12Ni-2Mo	Tube	A213	TP316	S31600	...	...	8	(14)(26)(28)(31)(36)	-425	75	30	20.0	20.0	20.0	19.3
16Cr-12Ni-Mo	Tube	A269	TP316	S31600	...	...	8	(14)(26)(28)(31)(36)	-425	75	30	20.0	20.0	20.0	19.3
16Cr-12Ni-2Mo	Pipe	A312	TP316	S31600	...	...	8	(26)(28)	-425	75	30	20.0	20.0	20.0	19.3
A240 Type 316	Pipe	A358	316	S31600	...	...	8	(26)(28)(31)(36)	-425	75	30	20.0	20.0	20.0	19.3
16Cr-12Ni-2Mo	Pipe	A376	TP316	S31600	...	...	8	(26)(28)(31)(36)	-425	75	30	20.0	20.0	20.0	19.3
16Cr-12Ni-2Mo	Pipe	A409	TP316	S31600	...	...	8	(26)(28)(31)(36)	-425	75	30	20.0	20.0	20.0	19.3
18Cr-3Ni-3Mo	Pipe	A312	TP317	S31700	...	...	8	(26)(28)	-325	75	30	20.0	20.0	20.0	19.3
18Cr-3Ni-3Mo	Pipe	A409	TP317	S31700	...	...	8	(26)(28)(31)(36)	-325	75	30	20.0	20.0	20.0	19.3
16Cr-12Ni-2Mo	Pipe	A376	TP316H	S31609	...	...	8	(26)(31)(36)	-325	75	30	20.0	20.0	20.0	19.3
16Cr-12Ni-2Mo	Pipe	A312	TP316H	S31609	...	...	8	(26)	-325	75	30	20.0	20.0	20.0	19.3
18Cr-10Ni-Cb	Pipe	A376	TP347H	S34709	...	...	8	(30)(36)	-325	75	30	20.0	20.0	20.0	20.0
18Cr-10Ni-Cb	Pipe	A312	TP347	S34700	...	...	8	(28)	-425	75	30	20.0	20.0	20.0	20.0
A240 Type 347	Pipe	A358	347	S34700	...	...	8	(28)(30)(36)	-425	75	30	20.0	20.0	20.0	20.0
18Cr-10Ni-Cb	Pipe	A376	TP347	S34700	...	...	8	(28)(30)(36)	-425	75	30	20.0	20.0	20.0	20.0
18Cr-10Ni-Cb	Pipe	A409	TP347	S34700	...	...	8	(28)(30)(36)	-425	75	30	20.0	20.0	20.0	20.0
18Cr-10Ni-Cb	Pipe	A312	TP348	S34800	...	...	8	(28)	-325	75	30	20.0	20.0	20.0	20.0
A240 Type 348	Pipe	A358	348	S34800	...	...	8	(28)(30)(36)	-325	75	30	20.0	20.0	20.0	20.0
18Cr-10Ni-Cb	Pipe	A376	TP348	S34800	...	...	8	(28)(30)(36)	-325	75	30	20.0	20.0	20.0	20.0
18Cr-10Ni-Cb	Pipe	A409	TP348	S34800	...	...	8	(28)(30)(36)	-325	75	30	20.0	20.0	20.0	20.0
18Cr-10Ni-Cb	Pipe	A312	TP347H	S34709	...	...	8	...	-325	75	30	20.0	20.0	20.0	20.0
18Cr-10Ni-Cb	Pipe	A312	TP348H	S34809	...	...	8	...	-325	75	30	20.0	20.0	20.0	20.0

**Table A-1 Basic Allowable Stresses in Tension for Metals<sup>1</sup> (Cont'd)** (12)  
 Numbers in Parentheses Refer to Notes for Appendix A Tables; Specifications Are ASTM Unless Otherwise Indicated

Basic Allowable Stress, S, ksi (1), at Metal Temperature, °F																				Type/ Grade	Spec. No.
500	600	650	700	750	800	850	900	950	1,000	1,050	1,100	1,150	1,200	1,250	1,300	1,350	1,400	1,450	1,500		
																				<b>Stainless Steel (3)(4a) (Cont'd) Pipes and Tubes (2) (Cont'd)</b>	
20.0	19.3	19.0	18.7	18.5	18.3	18.2	18.1	18.1	16.0	12.1	9.1	6.1	4.4	3.3	2.2	1.5	1.2	0.9	0.8	TP347	A312
20.0	19.3	19.0	18.7	18.5	18.3	18.2	18.1	18.1	16.0	12.1	9.1	6.1	4.4	3.3	2.2	1.5	1.2	0.9	0.8	347	A358
20.0	19.3	19.0	18.7	18.5	18.3	18.2	18.1	18.1	16.0	12.1	9.1	6.1	4.4	3.3	2.2	1.5	1.2	0.9	0.8	TP347	A376
20.0	19.3	19.0	18.7	18.5	18.3	18.2	18.1	18.1	16.0	12.1	9.1	6.1	4.4	3.3	2.2	1.5	1.2	0.9	0.8	TP347	A409
20.0	19.3	19.0	18.7	18.5	18.3	18.2	18.1	18.1	16.0	12.1	9.1	6.1	4.4	3.3	2.2	1.5	1.2	0.9	0.8	TP348	A312
20.0	19.3	19.0	18.7	18.5	18.3	18.2	18.1	18.1	16.0	12.1	9.1	6.1	4.4	3.3	2.2	1.5	1.2	0.9	0.8	348	A358
20.0	19.3	19.0	18.7	18.5	18.3	18.2	18.1	18.1	16.0	12.1	9.1	6.1	4.4	3.3	2.2	1.5	1.2	0.9	0.8	TP348	A376
20.0	19.3	19.0	18.7	18.5	18.3	18.2	18.1	18.1	16.0	12.1	9.1	6.1	4.4	3.3	2.2	1.5	1.2	0.9	0.8	TP348	A409
18.9	18.3	17.9	17.5	17.0	16.5	16.0	15.4	14.9	11.1	8.5	6.5	5.0	3.8	2.9	2.3	1.8	1.3	0.9	0.8	CPH10	A451
18.9	18.3	17.9	17.5	17.0	16.5	16.0	15.4	14.9	11.1	8.5	6.5	5.0	3.8	2.9	2.3	1.8	1.3	0.9	0.8	CPH20	A451
19.3	18.5	18.2	17.9	17.7	17.4	17.2	16.9	16.7	13.8	10.3	7.6	5.5	4.0	3.0	2.2	1.7	1.3	1.0	0.8	TP310	A312
19.3	18.5	18.2	17.9	17.7	17.4	17.2	16.9	16.7	13.8	10.3	7.6	5.5	4.0	3.0	2.2	1.7	1.3	1.0	0.8	310S	A358
17.5	16.6	16.2	15.8	15.5	15.2	14.9	14.6	14.3	14.0	12.1	9.1	6.1	4.4	3.3	2.2	1.5	1.2	0.9	0.8	CPF8C	A451
19.3	18.3	17.9	17.5	17.2	16.9	16.7	16.5	16.4	16.2	12.3	9.1	6.9	5.4	4.1	3.2	2.5	1.9	1.5	1.1	TP321	A312
19.3	18.3	17.9	17.5	17.2	16.9	16.7	16.5	16.4	16.2	12.3	9.1	6.9	5.4	4.1	3.2	2.5	1.9	1.5	1.1	321	A358
19.3	18.3	17.9	17.5	17.2	16.9	16.7	16.5	16.4	16.2	12.3	9.1	6.9	5.4	4.1	3.2	2.5	1.9	1.5	1.1	TP321	A376
19.3	18.3	17.9	17.5	17.2	16.9	16.7	16.5	16.4	16.2	12.3	9.1	6.9	5.4	4.1	3.2	2.5	1.9	1.5	1.1	TP321	A409
19.3	18.3	17.9	17.5	17.2	16.9	16.7	16.5	16.4	16.2	12.3	9.1	6.9	5.4	4.1	3.2	2.5	1.9	1.5	1.1	TP321H	A376
19.3	18.3	17.9	17.5	17.2	16.9	16.7	16.5	16.4	16.2	12.3	9.1	6.9	5.4	4.1	3.2	2.5	1.9	1.5	1.1	TP321H	A312
18.0	17.0	16.6	16.3	16.1	15.9	15.7	15.6	15.4	15.3	15.1	12.4	9.8	7.4	5.5	4.1	3.1	2.3	1.7	1.3	TP316	A213
18.0	17.0	16.6	16.3	16.1	15.9	15.7	15.6	15.4	15.3	15.1	12.4	9.8	7.4	5.5	4.1	3.1	2.3	1.7	1.3	TP316	A269
18.0	17.0	16.6	16.3	16.1	15.9	15.7	15.6	15.4	15.3	15.1	12.4	9.8	7.4	5.5	4.1	3.1	2.3	1.7	1.3	TP316	A312
18.0	17.0	16.6	16.3	16.1	15.9	15.7	15.6	15.4	15.3	15.1	12.4	9.8	7.4	5.5	4.1	3.1	2.3	1.7	1.3	316	A358
18.0	17.0	16.6	16.3	16.1	15.9	15.7	15.6	15.4	15.3	15.1	12.4	9.8	7.4	5.5	4.1	3.1	2.3	1.7	1.3	TP316	A376
18.0	17.0	16.6	16.3	16.1	15.9	15.7	15.6	15.4	15.3	15.1	12.4	9.8	7.4	5.5	4.1	3.1	2.3	1.7	1.3	TP316	A409
18.0	17.0	16.6	16.3	16.1	15.9	15.7	15.6	15.4	15.3	15.1	12.4	9.8	7.4	5.5	4.1	3.1	2.3	1.7	1.3	TP317	A312
18.0	17.0	16.6	16.3	16.1	15.9	15.7	15.6	15.4	15.3	15.1	12.4	9.8	7.4	5.5	4.1	3.1	2.3	1.7	1.3	TP317	A409
18.0	17.0	16.6	16.3	16.1	15.9	15.7	15.6	15.4	15.3	15.1	12.4	9.8	7.4	5.5	4.1	3.1	2.3	1.7	1.3	TP316H	A376
18.0	17.0	16.6	16.3	16.1	15.9	15.7	15.6	15.4	15.3	15.1	12.4	9.8	7.4	5.5	4.1	3.1	2.3	1.7	1.3	TP316H	A312
20.0	19.3	19.0	18.7	18.5	18.3	18.2	18.1	18.1	18.1	17.4	14.1	10.5	7.9	5.9	4.4	3.2	2.5	1.8	1.3	TP347H	A376
20.0	19.3	19.0	18.7	18.5	18.3	18.2	18.1	18.1	18.1	17.4	14.1	10.5	7.9	5.9	4.4	3.2	2.5	1.8	1.3	TP347	A312
20.0	19.3	19.0	18.7	18.5	18.3	18.2	18.1	18.1	18.1	17.4	14.1	10.5	7.9	5.9	4.4	3.2	2.5	1.8	1.3	347	A358
20.0	19.3	19.0	18.7	18.5	18.3	18.2	18.1	18.1	18.1	17.4	14.1	10.5	7.9	5.9	4.4	3.2	2.5	1.8	1.3	TP347	A376
20.0	19.3	19.0	18.7	18.5	18.3	18.2	18.1	18.1	18.1	17.4	14.1	10.5	7.9	5.9	4.4	3.2	2.5	1.8	1.3	TP347	A409
20.0	19.3	19.0	18.7	18.5	18.3	18.2	18.1	18.1	18.1	17.4	14.1	10.5	7.9	5.9	4.4	3.2	2.5	1.8	1.3	TP348	A312
20.0	19.3	19.0	18.7	18.5	18.3	18.2	18.1	18.1	18.1	17.4	14.1	10.5	7.9	5.9	4.4	3.2	2.5	1.8	1.3	348	A358
20.0	19.3	19.0	18.7	18.5	18.3	18.2	18.1	18.1	18.1	17.4	14.1	10.5	7.9	5.9	4.4	3.2	2.5	1.8	1.3	TP348	A376
20.0	19.3	19.0	18.7	18.5	18.3	18.2	18.1	18.1	18.1	17.4	14.1	10.5	7.9	5.9	4.4	3.2	2.5	1.8	1.3	TP348	A409
20.0	19.3	19.0	18.7	18.5	18.3	18.2	18.1	18.1	18.1	17.4	14.1	10.5	7.9	5.9	4.4	3.2	2.5	1.8	1.3	TP347H	A312
20.0	19.3	19.0	18.7	18.5	18.3	18.2	18.1	18.1	18.1	17.4	14.1	10.5	7.9	5.9	4.4	3.2	2.5	1.8	1.3	TP348H	A312

(12) **Table A-1 Basic Allowable Stresses in Tension for Metals<sup>1</sup> (Cont'd)**

Numbers in Parentheses Refer to Notes for Appendix A Tables; Specifications Are ASTM Unless Otherwise Indicated

Material	Product Form	Spec. No.	Type/Grade	UNS No.	Class/Condition/ Temper	P-No. Size, in. (5)	Notes	Min. Temp., °F (6)	Specified Min. Strength, ksi		Min. Temp.					
									Tensile	Yield	to 100	200	300	400		
<b>Stainless Steel (3)(4a) (Cont'd)</b>																
<b>Pipes and Tubes (2) (Cont'd)</b>																
18Cr-8Ni	Tube	A213	TP304	S30400	...	...	8	(14)(26)(28)(31)(36)	-425	75	30	20.0	20.0	20.0	18.6	
18Cr-8Ni	Tube	A269	TP304	S30400	...	...	8	(14)(26)(28)(31)(36)	-425	75	30	20.0	20.0	20.0	18.6	
18Cr-8Ni	Pipe	A312	TP304	S30400	...	...	8	(26)(28)	-425	75	30	20.0	20.0	20.0	18.6	
A240 Type 304	Pipe	A358	304	S30400	...	...	8	(26)(28)(31)(36)	-425	75	30	20.0	20.0	20.0	18.6	
18Cr-8Ni	Pipe	A376	TP304	S30400	...	...	8	(20)(26)(28)(31)(36)	-425	75	30	20.0	20.0	20.0	18.6	
18Cr-8Ni	Pipe	A376	TP304H	S30409	...	...	8	(26)(31)(36)	-325	75	30	20.0	20.0	20.0	18.6	
18Cr-8Ni	Pipe	A409	TP304	S30400	...	...	8	(26)(28)(31)(36)	-425	75	30	20.0	20.0	20.0	18.6	
18Cr-8Ni	Pipe	A312	TP304H	S30409	...	...	8	(26)	-325	75	30	20.0	20.0	20.0	18.6	
18Cr-10Ni-Mo	...	A451	CPF8M	J92900	...	...	8	(26)(28)	-425	70	30	20.0	20.0	18.9	17.0	
20Cr-Cu	Tube	A268	TP443	S44300	...	...	10	(35)	-20	70	40	23.3	23.3	23.3	23.3	
27Cr	Tube	A268	TP446	S44600	...	...	10	(35)	-20	70	40	23.3	23.3	22.5	21.9	
12Cr	Wld. pipe	A1053	50	S41003	...	...	7	...	-20	70	50	23.3	23.3	23.3	22.8	
24Cr-9Ni-N	...	A451	CPE20N	...	...	...	8	(35)(39)	-325	80	40	26.7	26.7	26.7	26.7	
23Cr-4Ni-N	...	A789	...	S32304	...	...	10H	(25)	-60	87	58	29.0	27.9	26.1	24.7	
23Cr-4Ni-N	...	A790	...	S32304	...	...	10H	(25)	-60	87	58	29.0	27.9	26.1	24.7	
12 <sup>3</sup> / <sub>4</sub> Cr	...	A426	CPCA-15	J91150	...	...	6	(10)(35)	-20	90	65	30.0	...	...	...	
22Cr-5Ni-3Mo	...	A789	...	S31803	...	...	10H	(25)	-60	90	65	30.0	30.0	28.9	27.8	
22Cr-5Ni-3Mo	...	A790	...	S31803	...	...	10H	(25)	-60	90	65	30.0	30.0	28.9	27.8	
26Cr-4Ni-Mo	...	A789	...	S32900	...	...	10H	(25)	-20	90	70	30.0	...	...	...	
26Cr-4Ni-Mo	...	A790	...	S32900	...	...	10H	(25)	-20	90	70	30.0	...	...	...	
21Cr-3Ni-Mo	...	A790	...	S32003	...	> 3/16	10H	(25)	-60	95	65	31.7	30.7	28.9	28.6	
21Cr-3Ni-Mo	...	A789	...	S32003	...	≤ 3/16	10H	(25)	-60	100	70	33.3	32.3	30.4	30.1	
25Cr-8Ni-3Mo-W-Cu-N	...	A789	...	S32760	...	...	10H	(25)	-60	109	80	36.3	35.9	34.4	34.0	
25Cr-8Ni-3Mo-W-Cu-N	...	A790	...	S32760	...	...	10H	(25)	-60	109	80	36.3	35.9	34.4	34.0	
25Cr-7Ni-4Mo-N	...	A789	...	S32750	...	...	10H	(25)	-20	116	80	38.7	36.3	34.8	34.0	
25Cr-7Ni-4Mo-N	...	A790	...	S32750	...	...	10H	(25)	-20	116	80	38.7	36.3	34.8	34.0	
24Cr-17Ni-6Mn-4 <sup>1</sup> / <sub>2</sub> Mo-N	...	A358	...	S34565	...	...	8	(36)	-325	115	60	38.3	38.1	35.8	34.5	
<b>Plates and Sheets</b>																
18Cr-10Ni	...	A240	305	S30500	...	...	8	(26)(36)(39)	-325	70	25	16.7	...	...	...	
12Cr-Al	...	A240	405	S40500	...	...	7	(35)	-20	60	25	16.7	15.3	14.8	14.5	
18Cr-8Ni	...	A240	304L	S30403	...	...	8	(36)	-425	70	25	16.7	16.7	16.7	15.8	
16Cr-12Ni-2Mo	...	A240	316L	S31603	...	...	8	(36)	-425	70	25	16.7	16.7	16.7	15.7	
18Cr-Ti-Al	...	A240	X8M	...	...	...	...	(35)	-20	65	30	20.0	...	...	...	
18Cr-8Ni	...	A167	302B	S30215	...	...	8	(26)(28)(31)(36)(39)	-325	75	30	20.0	20.0	20.0	18.6	
18Cr-Ni	...	A240	302	S30200	...	...	8	(26)(36)	-325	75	30	20.0	20.0	20.0	18.6	
12Cr	...	A1010	40	S41003	...	...	7	...	-20	66	40	22.0	22.0	22.0	21.5	
12Cr	...	A1010	50	S41003	...	...	7	...	-20	70	50	23.3	23.3	23.3	22.8	
13Cr	...	A240	410S	S41008	...	...	7	(35)(50)	-20	60	30	20.0	18.4	17.8	17.4	
13Cr	...	A240	410	S41000	...	...	6	(35)	-20	65	30	20.0	18.4	17.8	17.4	
15Cr	...	A240	429	S42900	...	...	6	(35)	-20	65	30	20.0	18.4	17.8	17.4	
17Cr	...	A240	430	S43000	...	...	7	(35)	-20	65	30	20.0	18.4	17.8	17.4	

**Table A-1 Basic Allowable Stresses in Tension for Metals<sup>1</sup> (Cont'd)** (12)  
 Numbers in Parentheses Refer to Notes for Appendix A Tables; Specifications Are ASTM Unless Otherwise Indicated

Basic Allowable Stress, S, ksi (1), at Metal Temperature, °F																				Type/ Grade	Spec. No.	
500	600	650	700	750	800	850	900	950	1,000	1,050	1,100	1,150	1,200	1,250	1,300	1,350	1,400	1,450	1,500			
																				<b>Stainless Steel (3)(4a) (Cont'd) Pipes and Tubes (2) (Cont'd)</b>		
17.5	16.6	16.2	15.8	15.5	15.2	14.9	14.6	14.3	14.0	12.4	9.8	7.7	6.1	4.7	3.7	2.9	2.3	1.8	1.4	TP304	A213	
17.5	16.6	16.2	15.8	15.5	15.2	14.9	14.6	14.3	14.0	12.4	9.8	7.7	6.1	4.7	3.7	2.9	2.3	1.8	1.4	TP304	A269	
17.5	16.6	16.2	15.8	15.5	15.2	14.9	14.6	14.3	14.0	12.4	9.8	7.7	6.1	4.7	3.7	2.9	2.3	1.8	1.4	TP304	A312	
17.5	16.6	16.2	15.8	15.5	15.2	14.9	14.6	14.3	14.0	12.4	9.8	7.7	6.1	4.7	3.7	2.9	2.3	1.8	1.4	304	A358	
17.5	16.6	16.2	15.8	15.5	15.2	14.9	14.6	14.3	14.0	12.4	9.8	7.7	6.1	4.7	3.7	2.9	2.3	1.8	1.4	TP304	A376	
17.5	16.6	16.2	15.8	15.5	15.2	14.9	14.6	14.3	14.0	12.4	9.8	7.7	6.1	4.7	3.7	2.9	2.3	1.8	1.4	TP304H	A376	
17.5	16.6	16.2	15.8	15.5	15.2	14.9	14.6	14.3	14.0	12.4	9.8	7.7	6.1	4.7	3.7	2.9	2.3	1.8	1.4	TP304	A409	
17.5	16.6	16.2	15.8	15.5	15.2	14.9	14.6	14.3	14.0	12.4	9.8	7.7	6.1	4.7	3.7	2.9	2.3	1.8	1.4	TP304H	A312	
15.8	15.0	14.7	14.4	14.2	14.1	13.9	13.7	13.4	13.1	11.5	8.9	6.9	5.4	4.3	3.4	2.8	2.3	1.9	1.6	CPF8M	A451	
23.3	23.3	14.6	12.5	10.7	9.2	7.9	5.9	4.0	2.5	...	...	...	...	...	...	...	...	...	...	TP443	A268	
21.5	20.9	20.6	20.2	19.7	19.1	18.4	17.5	16.4	15.1	...	...	...	...	...	...	...	...	...	...	...	TP446	A268
22.1	21.2	...	...	...	...	...	...	...	...	...	...	...	...	...	...	...	...	...	...	...	50	A1053
26.7	26.7	26.7	26.7	26.7	26.7	26.7	26.7	...	...	...	...	...	...	...	...	...	...	...	...	...	CPE20N	A451
22.9	19.2	...	...	...	...	...	...	...	...	...	...	...	...	...	...	...	...	...	...	...	...	A789
22.9	19.2	...	...	...	...	...	...	...	...	...	...	...	...	...	...	...	...	...	...	...	...	A790
...	...	...	...	...	...	...	...	...	...	...	...	...	...	...	...	...	...	...	...	...	CPCA-15	A426
27.2	26.9	...	...	...	...	...	...	...	...	...	...	...	...	...	...	...	...	...	...	...	...	A789
27.2	26.9	...	...	...	...	...	...	...	...	...	...	...	...	...	...	...	...	...	...	...	...	A790
...	...	...	...	...	...	...	...	...	...	...	...	...	...	...	...	...	...	...	...	...	...	A789
...	...	...	...	...	...	...	...	...	...	...	...	...	...	...	...	...	...	...	...	...	...	A790
28.6	28.6	28.6	...	...	...	...	...	...	...	...	...	...	...	...	...	...	...	...	...	...	...	A790
30.1	30.1	30.1	...	...	...	...	...	...	...	...	...	...	...	...	...	...	...	...	...	...	...	A789
34.0	34.0	...	...	...	...	...	...	...	...	...	...	...	...	...	...	...	...	...	...	...	...	A789
34.0	34.0	...	...	...	...	...	...	...	...	...	...	...	...	...	...	...	...	...	...	...	...	A790
33.9	33.9	...	...	...	...	...	...	...	...	...	...	...	...	...	...	...	...	...	...	...	...	A789
33.9	33.9	...	...	...	...	...	...	...	...	...	...	...	...	...	...	...	...	...	...	...	...	A790
33.8	33.2	33.1	32.7	32.4	32.0	...	...	...	...	...	...	...	...	...	...	...	...	...	...	...	...	A358
																				<b>Plates and Sheets</b>		
...	...	...	...	...	...	...	...	...	...	...	...	...	...	...	...	...	...	...	...	...	305	A240
14.3	14.0	13.8	13.5	13.1	12.6	12.0	11.3	8.4	4.0	...	...	...	...	...	...	...	...	...	...	...	405	A240
14.7	14.0	13.7	13.5	13.3	13.0	12.8	12.6	12.3	12.0	6.3	5.1	4.0	3.2	2.6	2.1	1.7	1.1	1.0	0.9	304L	A240	
14.8	14.0	13.7	13.5	13.2	12.9	12.7	12.4	12.1	11.8	10.8	10.2	8.8	6.4	4.7	3.5	2.5	1.8	1.3	1.0	316L	A240	
...	...	...	...	...	...	...	...	...	...	...	...	...	...	...	...	...	...	...	...	...	X8M	A240
17.5	16.6	16.2	15.8	15.5	15.2	14.9	14.6	14.3	...	...	...	...	...	...	...	...	...	...	...	...	302B	A167
17.5	16.6	16.2	15.8	15.5	15.2	14.9	14.6	14.3	14.0	...	...	...	...	...	...	...	...	...	...	...	302	A240
20.8	20.0	...	...	...	...	...	...	...	...	...	...	...	...	...	...	...	...	...	...	...	40	A1010
22.1	21.2	...	...	...	...	...	...	...	...	...	...	...	...	...	...	...	...	...	...	...	50	A1010
17.2	16.8	16.6	16.2	15.7	15.1	14.4	12.3	8.8	6.4	4.4	2.9	1.8	1.0	...	...	...	...	...	...	...	410S	A240
17.2	16.8	16.6	16.2	15.7	15.1	14.4	12.3	8.8	6.4	4.4	2.9	1.8	1.0	...	...	...	...	...	...	...	410	A240
17.2	16.8	16.6	16.2	15.7	15.1	14.4	12.0	9.2	6.5	4.5	3.2	2.4	1.8	...	...	...	...	...	...	...	429	A240
17.2	16.8	16.6	16.2	15.7	15.1	14.4	12.0	9.2	6.5	4.5	3.2	2.4	1.8	...	...	...	...	...	...	...	430	A240

(12)

**Table A-1 Basic Allowable Stresses in Tension for Metals<sup>1</sup> (Cont'd)**

Numbers in Parentheses Refer to Notes for Appendix A Tables; Specifications Are ASTM Unless Otherwise Indicated

Material	Product Form	Spec. No.	Type/Grade	UNS No.	Class/Condition/ Temper	Size, in.	P-No. (5)	Notes	Min. Temp., °F (6)	Specified Min. Strength, ksi		Min. Temp.												
										Tensile	Yield	to 100	200	300	400									
<b>Stainless Steel (3)(4a) (Cont'd)</b>																								
<b>Plates and Sheets (Cont'd)</b>																								
18Cr-13Ni-3Mo	...	A240	317L	S31703	...	...	8	(36)	-325	75	30	20.0	20.0	20.0	18.9									
25Cr-20Ni	...	A167	310	S31000	...	...	8	(28)(35)(36)(39)	-325	75	30	20.0	20.0	20.0	20.0									
25Cr-20Ni	...	A240	310S	S31008	...	...	8	(28)(35)(36)	-325	75	30	20.0	20.0	20.0	20.0									
18Cr-10Ni-Ti	...	A240	321	S32100	...	...	8	(30)(36)	-325	75	30	20.0	20.0	20.0	20.0									
20Cr-10Ni	...	A167	308	S30800	...	...	8	(6)(26)(31)(39)	-325	75	30	20.0	20.0	20.0	18.6									
23Cr-12Ni	...	A167	309	S30900	...	...	8	(12)(28)(31)(35)(36)(39)	-325	75	30	20.0	20.0	20.0	20.0									
23Cr-12Ni	...	A240	309S	S30908	...	...	8	(28)(35)(36)	-325	75	30	20.0	20.0	20.0	20.0									
18Cr-10Ni-Cb	...	A240	347	S34700	...	...	8	(36)	-425	75	30	20.0	20.0	20.0	20.0									
18Cr-10Ni-Cb	...	A240	348	S34800	...	...	8	(36)	-325	75	30	20.0	20.0	20.0	20.0									
25Cr-20Ni	...	A167	310	S31000	...	...	8	(28)(29)(35)(36)(39)	-325	75	30	20.0	20.0	20.0	20.0									
25Cr-20Ni	...	A240	310S	S31008	...	...	8	(28)(29)(35)(36)	-325	75	30	20.0	20.0	20.0	20.0									
18Cr-10Ni-Ti	...	A240	321	S32100	...	...	8	(28)(30)(36)	-325	75	30	20.0	20.0	20.0	20.0									
18Cr-10Ni-Ti	...	A240	321H	S32109	...	...	8	(36)	-325	75	30	20.0	20.0	20.0	20.0									
16Cr-12Ni-2Mo	...	A240	316	S31600	...	...	8	(26)(28)(36)	-425	75	30	20.0	20.0	20.0	19.3									
18Cr-13Ni-3Mo	...	A240	317	S31700	...	...	8	(26)(28)(36)	-325	75	30	20.0	20.0	20.0	19.3									
18Cr-10Ni-Cb	...	A167	347	...	...	...	8	(28)(30)(36)	-425	75	30	20.0	20.0	20.0	20.0									
18Cr-10Ni-Cb	...	A240	347	S34700	...	...	8	(28)(36)	-425	75	30	20.0	20.0	20.0	20.0									
18Cr-10Ni-Cb	...	A167	348	...	...	...	8	(28)(30)(36)	-325	75	30	20.0	20.0	20.0	20.0									
18Cr-10Ni-Cb	...	A240	348	S34800	...	...	8	(28)(36)	-325	75	30	20.0	20.0	20.0	20.0									
18Cr-8Ni	...	A240	304	S30400	...	...	8	(26)(28)(36)	-425	75	30	20.0	20.0	20.0	18.6									
21Cr-3Ni-Mo	...	A240	...	S32003	...	> 3/16	10H	(25)	-60	95	65	31.7	30.7	28.9	28.6									
21Cr-3Ni-Mo	...	A240	...	S32003	...	≤ 3/16	10H	(25)	-60	100	70	33.3	32.3	30.4	30.1									
25Cr-8Ni-3Mo-W-Cu-N...	...	A240	...	S32760	...	...	10H	(25)	-60	109	80	36.3	36.3	34.8	34.0									
<b>Forgings and Fittings (2)</b>																								
18Cr-13Ni-3Mo	...	A182	F317L	S31703	...	≤ 5 thk.	8	(9)(21a)	-325	70	25	16.7	16.7	16.7	15.7									
18Cr-8Ni	...	A182	F304L	S30403	...	...	8	(9)(21a)	-425	70	25	16.7	16.7	16.7	15.8									
18Cr-8Ni	...	A403	WP304L	S30403	...	...	8	(32)(37)	-425	70	25	16.7	16.7	16.7	15.8									
16Cr-12Ni-2Mo	...	A182	F316L	S31603	...	...	8	(9)(21a)	-425	70	25	16.7	16.7	16.7	15.7									
16Cr-12Ni-2Mo	...	A403	WP316L	S31603	...	...	8	(32)(37)	-425	70	25	16.7	16.7	16.7	15.7									
20Ni-8Cr	...	A182	F10	S33100	...	...	8	(26)(28)(39)	-325	80	30	20.0	...	...	...									
18Cr-13Ni-3Mo	...	A403	WP317L	S31703	...	...	8	(32)(37)	-325	75	30	20.0	20.0	20.0	18.9									
25Cr-20Ni	...	A182	F310	S31000	...	...	8	(9)(21)(28)(35)(39)	-325	75	30	20.0	20.0	20.0	20.0									
25Cr-20Ni	...	A403	WP310	S31008	...	...	8	(28)(32)(35)(37)(39)	-325	75	30	20.0	20.0	20.0	20.0									

**Table A-1 Basic Allowable Stresses in Tension for Metals<sup>1</sup> (Cont'd)** (12)  
 Numbers in Parentheses Refer to Notes for Appendix A Tables; Specifications Are ASTM Unless Otherwise Indicated

Basic Allowable Stress, S, ksi (1), at Metal Temperature, °F																				Type/ Grade	Spec. No.	
500	600	650	700	750	800	850	900	950	1,000	1,050	1,100	1,150	1,200	1,250	1,300	1,350	1,400	1,450	1,500			
																				<b>Stainless Steel (3)(4a) (Cont'd) Plates and Sheets (Cont'd)</b>		
17.7	16.9	16.5	16.2	15.8	15.5	15.2	...	...	...	...	...	...	...	...	...	...	...	...	...	317L	A240	
19.3	18.5	18.2	17.9	17.7	17.4	17.2	16.9	15.9	9.9	7.1	5.0	3.6	2.5	1.5	0.8	0.5	0.4	0.3	0.2	310	A167	
19.3	18.5	18.2	17.9	17.7	17.4	17.2	16.9	15.9	9.9	7.1	5.0	3.6	2.5	1.5	0.8	0.5	0.4	0.3	0.2	310S	A240	
19.3	18.3	17.9	17.5	17.2	16.9	16.7	16.5	16.4	16.2	9.6	6.9	5.0	3.6	2.6	1.7	1.1	0.8	0.5	0.3	321	A240	
17.5	16.6	...	...	...	...	...	...	...	...	...	...	...	...	...	...	...	...	...	...	308	A167	
19.4	18.8	18.5	18.2	18.0	17.7	17.5	17.2	16.9	13.8	10.3	7.6	5.5	4.0	3.0	2.2	1.7	1.3	1.0	0.8	309	A167	
19.4	18.8	18.5	18.2	18.0	17.7	17.5	17.2	16.9	13.8	10.3	7.6	5.5	4.0	3.0	2.2	1.7	1.3	1.0	0.8	309S	A240	
20.0	19.3	19.0	18.7	18.5	18.3	18.2	18.1	18.1	16.0	12.1	9.1	6.1	4.4	3.3	2.2	1.5	1.2	0.9	0.8	347	A240	
20.0	19.3	19.0	18.7	18.5	18.3	18.2	18.1	18.1	16.0	12.1	9.1	6.1	4.4	3.3	2.2	1.5	1.2	0.9	0.8	348	A240	
19.3	18.5	18.2	17.9	17.7	17.4	17.2	16.9	16.7	13.8	10.3	7.6	5.5	4.0	3.0	2.2	1.7	1.3	1.0	0.8	310	A167	
19.3	18.5	18.2	17.9	17.7	17.4	17.2	16.9	16.7	13.8	10.3	7.6	5.5	4.0	3.0	2.2	1.7	1.3	1.0	0.8	310S	A240	
19.3	18.3	17.9	17.5	17.2	16.9	16.7	16.5	16.4	16.2	12.3	9.1	6.9	5.4	4.1	3.2	2.5	1.9	1.5	1.1	321	A240	
19.3	18.3	17.9	17.5	17.2	16.9	16.7	16.5	16.4	16.2	12.3	9.1	6.9	5.4	4.1	3.2	2.5	1.9	1.5	1.1	321H	A240	
18.0	17.0	16.6	16.3	16.1	15.9	15.7	15.6	15.4	15.3	15.1	12.4	9.8	7.4	5.5	4.1	3.1	2.3	1.7	1.3	316	A240	
18.0	17.0	16.6	16.3	16.1	15.9	15.7	15.6	15.4	15.3	15.1	12.4	9.8	7.4	5.5	4.1	3.1	2.3	1.7	1.3	317	A240	
20.0	19.3	19.0	18.7	18.5	18.3	18.2	18.1	18.1	18.1	17.4	14.1	10.5	7.9	5.9	4.4	3.2	2.5	1.8	1.3	347	A167	
20.0	19.3	19.0	18.7	18.5	18.3	18.2	18.1	18.1	18.1	17.4	14.1	10.5	7.9	5.9	4.4	3.2	2.5	1.8	1.3	347	A240	
20.0	19.3	19.0	18.7	18.5	18.3	18.2	18.1	18.1	18.1	17.4	14.1	10.5	7.9	5.9	4.4	3.2	2.5	1.8	1.3	348	A167	
20.0	19.3	19.0	18.7	18.5	18.3	18.2	18.1	18.1	18.1	17.4	14.1	10.5	7.9	5.9	4.4	3.2	2.5	1.8	1.3	348	A240	
17.5	16.6	16.2	15.8	15.5	15.2	14.9	14.6	14.3	14.0	12.4	9.8	7.7	6.1	4.7	3.7	2.9	2.3	1.8	1.4	304	A240	
28.6	28.6	28.6	...	...	...	...	...	...	...	...	...	...	...	...	...	...	...	...	...	...	A240	
30.1	30.1	30.1	...	...	...	...	...	...	...	...	...	...	...	...	...	...	...	...	...	...	A240	
33.9	33.9	...	...	...	...	...	...	...	...	...	...	...	...	...	...	...	...	...	...	...	A240	
																				<b>Forgings and Fittings (2)</b>		
14.8	14.0	13.7	13.5	13.2	12.9	12.7	...	...	...	...	...	...	...	...	...	...	...	...	...	F317L	A182	
14.7	14.0	13.7	13.5	13.3	13.0	12.8	12.6	12.3	12.0	6.3	5.1	4.0	3.2	2.6	2.1	1.7	1.1	1.0	0.9	F304L	A182	
14.7	14.0	13.7	13.5	13.3	13.0	12.8	12.6	12.3	12.0	6.3	5.1	4.0	3.2	2.6	2.1	1.7	1.1	1.0	0.9	WP304L	A403	
14.8	14.0	13.7	13.5	13.2	12.9	12.7	12.4	12.1	11.8	10.8	10.2	8.8	6.4	4.7	3.5	2.5	1.8	1.3	1.0	F316L	A182	
14.8	14.0	13.7	13.5	13.2	12.9	12.7	12.4	12.1	11.8	10.8	10.2	8.8	6.4	4.7	3.5	2.5	1.8	1.3	1.0	WP316L	A403	
...	...	...	...	...	...	...	...	...	...	...	...	...	...	...	...	...	...	...	...	...	F10	A182
17.7	16.9	16.5	16.2	15.8	15.5	15.2	...	...	...	...	...	...	...	...	...	...	...	...	...	...	WP317L	A403
19.3	18.5	18.2	17.9	17.7	17.4	17.2	16.9	15.9	9.9	7.1	5.0	3.6	2.5	1.5	0.8	0.5	0.4	0.3	0.2	F310	A182	
19.3	18.5	18.2	17.9	17.7	17.4	17.2	16.9	15.9	9.9	7.1	5.0	3.6	2.5	1.5	0.8	0.5	0.4	0.3	0.2	WP310	A403	

**Table A-1 Basic Allowable Stresses in Tension for Metals<sup>1</sup> (Cont'd)**

Numbers in Parentheses Refer to Notes for Appendix A Tables; Specifications Are ASTM Unless Otherwise Indicated

Material	Product Form	Spec. No.	Type/Grade	UNS No.	Class/Condition/ Temper	P-No. Size, in. (5)	Notes	Min. Temp., °F (6)	Specified Min. Strength, ksi		Min. Temp.				
									Tensile	Yield	to 100	200	300	400	
<b>Stainless Steel (3)(4a) (Cont'd)</b>															
<b>Forgings and Fittings (2) (Cont'd)</b>															
18Cr-10Ni-Ti	...	A182	F321	S32100	...	...	8	(9)(21)	-325	75	30	20.0	20.0	20.0	20.0
18Cr-10Ni-Ti	...	A403	WP321	S32100	...	...	8	(32)(37)	-325	75	30	20.0	20.0	20.0	20.0
23Cr-12Ni	...	A403	WP309	S30900	...	...	8	(28)(32)(35)(37)(39)	-325	75	30	20.0	20.0	20.0	20.0
25Cr-20Ni	...	A182	F310	S31000	...	...	8	(9)(21)(28)(29) (35)(39)	-325	75	30	20.0	20.0	20.0	20.0
25Cr-20Ni	...	A403	WP310	S31008	...	...	8	(28)(29)(32)(35) (37)(39)	-325	75	30	20.0	20.0	20.0	20.0
18Cr-10Ni-Cb	...	A182	F347	S34700	...	...	8	(9)(21)	-425	75	30	20.0	20.0	20.0	20.0
18Cr-10Ni-Cb	...	A403	WP347	S34700	...	...	8	(32)(37)	-425	75	30	20.0	20.0	20.0	20.0
18Cr-10Ni-Cb	...	A182	F348	S34800	...	...	8	(9)(21)	-325	75	30	20.0	20.0	20.0	20.0
18Cr-10Ni-Cb	...	A403	WP348	S34800	...	...	8	(32)(37)	-325	75	30	20.0	20.0	20.0	20.0
18Cr-10Ni-Ti	...	A182	F321	S32100	...	...	8	(9)(21)(28)(30)	-325	75	30	20.0	20.0	20.0	20.0
18Cr-10Ni-Ti	...	A182	F321H	S32109	...	...	8	(9)(21)	-325	75	30	20.0	20.0	20.0	20.0
18Cr-10Ni-Ti	...	A403	WP321	S32100	...	...	8	(28)(30)(32)(37)	-325	75	30	20.0	20.0	20.0	20.0
18Cr-10Ni-Ti	...	A403	WP321H	S32109	...	...	8	(32)(37)	-325	75	30	20.0	20.0	20.0	20.0
16Cr-12Ni-2Mo	...	A403	WP316H	S31609	...	...	8	(26)(32)(37)	-325	75	30	20.0	20.0	20.0	19.3
16Cr-12Ni-2Mo	...	A182	F316H	S31609	...	...	8	(9)(21)(26)	-325	75	30	20.0	20.0	20.0	19.3
18Cr-10Ni-Cb	...	A403	WP347H	S34709	...	...	8	(32)(37)	-325	75	30	20.0	20.0	20.0	20.0
18Cr-10Ni-Cb	...	A182	F347	S34700	...	...	8	(9)(21)(28)	-425	75	30	20.0	20.0	20.0	20.0
18Cr-10Ni-Cb	...	A403	WP347	S34700	...	...	8	(28)(32)(37)	-425	75	30	20.0	20.0	20.0	20.0
18Cr-10Ni-Cb	...	A182	F348	S34800	...	...	8	(9)(21)(28)	-325	75	30	20.0	20.0	20.0	20.0
18Cr-10Ni-Cb	...	A403	WP348	S34800	...	...	8	(28)(32)(37)	-325	75	30	20.0	20.0	20.0	20.0
18Cr-10Ni-Cb	...	A182	F347H	S34709	...	...	8	(9)(21)	-325	75	30	20.0	20.0	20.0	20.0
18Cr-10Ni-Cb	...	A182	F348H	S34809	...	...	8	(9)(21)	-325	75	30	20.0	20.0	20.0	20.0
16Cr-12Ni-2Mo	...	A182	F316	S31600	...	...	8	(9)(21)(26)(28)	-325	75	30	20.0	20.0	20.0	19.3
16Cr-12Ni-2Mo	...	A403	WP316	S31600	...	...	8	(26)(28)(32)(37)	-425	75	30	20.0	20.0	20.0	19.3
18Cr-13Ni-3Mo	...	A403	WP317	S31700	...	...	8	(26)(28)(32)	-325	75	30	20.0	20.0	20.0	19.3
18Cr-8Ni	...	A182	F304	S30400	...	...	8	(9)(21)(26)(28)	-425	75	30	20.0	20.0	20.0	18.6
18Cr-8Ni	...	A403	WP304	S30400	...	...	8	(26)(28)(32)(37)	-425	75	30	20.0	20.0	20.0	18.6
18Cr-8Ni	...	A403	WP304H	S30409	...	...	8	(26)(32)(37)	-325	75	30	20.0	20.0	20.0	18.6
18Cr-8Ni	...	A182	F304H	S30409	...	...	8	(9)(21)(26)	-325	75	30	20.0	20.0	20.0	18.6
13Cr	...	A182	F6a	S41000	1	...	6	(35)	-20	70	40	23.3	23.3	22.9	22.5
13Cr	...	A182	F6a	S41000	2	...	6	(35)	-20	85	55	28.3	28.3	27.8	27.3
25Cr-8Ni-3Mo-W-Cu-N...	...	A182	...	S32760	...	...	10H	(25)	-60	109	80	36.3	36.3	34.8	34.0
25Cr-8Ni-3Mo-W-Cu-N...	...	A815	...	S32760	...	...	10H	(25)	-60	109	80	36.3	36.3	34.8	34.0
13Cr	...	A182	F6a	S41000	3	...	6	(35)	-20	110	85	36.7	...	...	...
13Cr-1/2Mo	...	A182	F6b	S41026	...	...	6	(35)	...	110-135	90	36.7	...	...	...
13Cr	...	A182	F6a	S41000	4	...	6	(35)	-20	130	110	43.3	...	...	...



**Table A-1 Basic Allowable Stresses in Tension for Metals<sup>1</sup> (Cont'd)**  
 Numbers in Parentheses Refer to Notes for Appendix A Tables; Specifications Are ASTM Unless Otherwise Indicated

Basic Allowable Stress, S, ksi (1), at Metal Temperature, °F																				Type/ Grade	Spec. No.	
500	600	650	700	750	800	850	900	950	1,000	1,050	1,100	1,150	1,200	1,250	1,300	1,350	1,400	1,450	1,500			
																				<b>Stainless Steel (3)(4a) (Cont'd)</b>		
																				<b>Forgings and Fittings (2) (Cont'd)</b>		
19.3	18.3	17.9	17.5	17.2	16.9	16.7	16.5	16.4	16.2	9.6	6.9	5.0	3.6	2.6	1.7	1.1	0.8	0.5	0.3	F321	A182	
19.3	18.3	17.9	17.5	17.2	16.9	16.7	16.5	16.4	16.2	9.6	6.9	5.0	3.6	2.6	1.7	1.1	0.8	0.5	0.3	WP321	A403	
19.4	18.8	18.5	18.2	18.0	17.7	17.5	17.2	16.9	13.8	10.3	7.6	5.5	4.0	3.0	2.2	1.7	1.3	1.0	0.8	WP309	A403	
19.3	18.5	18.2	17.9	17.7	17.4	17.2	16.9	16.7	13.8	10.3	7.6	5.5	4.0	3.0	2.2	1.7	1.3	1.0	0.8	F310	A182	
19.3	18.5	18.2	17.9	17.7	17.4	17.2	16.9	16.7	13.8	10.3	7.6	5.5	4.0	3.0	2.2	1.7	1.3	1.0	0.8	WP310	A403	
20.0	19.3	19.0	18.7	18.5	18.3	18.2	18.1	18.1	16.0	12.1	9.1	6.1	4.4	3.3	2.2	1.5	1.2	0.9	0.8	F347	A182	
20.0	19.3	19.0	18.7	18.5	18.3	18.2	18.1	18.1	16.0	12.1	9.1	6.1	4.4	3.3	2.2	1.5	1.2	0.9	0.8	WP347	A403	
20.0	19.3	19.0	18.7	18.5	18.3	18.2	18.1	18.1	16.0	12.1	9.1	6.1	4.4	3.3	2.2	1.5	1.2	0.9	0.8	F348	A182	
20.0	19.3	19.0	18.7	18.5	18.3	18.2	18.1	18.1	16.0	12.1	9.1	6.1	4.4	3.3	2.2	1.5	1.2	0.9	0.8	WP348	A403	
19.3	18.3	17.9	17.5	17.2	16.9	16.7	16.5	16.4	16.2	12.3	9.1	6.9	5.4	4.1	3.2	2.5	1.9	1.5	1.1	F321	A182	
19.3	18.3	17.9	17.5	17.2	16.9	16.7	16.5	16.4	16.2	12.3	9.1	6.9	5.4	4.1	3.2	2.5	1.9	1.5	1.1	F321H	A182	
19.3	18.3	17.9	17.5	17.2	16.9	16.7	16.5	16.4	16.2	12.3	9.1	6.9	5.4	4.1	3.2	2.5	1.9	1.5	1.1	WP321	A403	
19.3	18.3	17.9	17.5	17.2	16.9	16.7	16.5	16.4	16.2	12.3	9.1	6.9	5.4	4.1	3.2	2.5	1.9	1.5	1.1	WP321H	A403	
18.0	17.0	16.6	16.3	16.1	15.9	15.7	15.6	15.4	15.3	15.1	12.4	9.8	7.4	5.5	4.1	3.1	2.3	1.7	1.3	WP316H	A403	
18.0	17.0	16.6	16.3	16.1	15.9	15.7	15.6	15.4	15.3	15.1	12.4	9.8	7.4	5.5	4.1	3.1	2.3	1.7	1.3	F316H	A182	
20.0	19.3	19.0	18.7	18.5	18.3	18.2	18.1	18.1	18.1	17.4	14.1	10.5	7.9	5.9	4.4	3.2	2.5	1.8	1.3	WP347H	A403	
20.0	19.3	19.0	18.7	18.5	18.3	18.2	18.1	18.1	18.1	17.4	14.1	10.5	7.9	5.9	4.4	3.2	2.5	1.8	1.3	F347	A182	
20.0	19.3	19.0	18.7	18.5	18.3	18.2	18.1	18.1	18.1	17.4	14.1	10.5	7.9	5.9	4.4	3.2	2.5	1.8	1.3	WP347	A403	
20.0	19.3	19.0	18.7	18.5	18.3	18.2	18.1	18.1	18.1	17.4	14.1	10.5	7.9	5.9	4.4	3.2	2.5	1.8	1.3	F348	A182	
20.0	19.3	19.0	18.7	18.5	18.3	18.2	18.1	18.1	18.1	17.4	14.1	10.5	7.9	5.9	4.4	3.2	2.5	1.8	1.3	WP348	A403	
20.0	19.3	19.0	18.7	18.5	18.3	18.2	18.1	18.1	18.1	17.4	14.1	10.5	7.9	5.9	4.4	3.2	2.5	1.8	1.3	F347H	A182	
20.0	19.3	19.0	18.7	18.5	18.3	18.2	18.1	18.1	18.1	17.4	14.1	10.5	7.9	5.9	4.4	3.2	2.5	1.8	1.3	F348H	A182	
18.0	17.0	16.6	16.3	16.1	15.9	15.7	15.6	15.4	15.3	15.1	12.4	9.8	7.4	5.5	4.1	3.1	2.3	1.7	1.3	F316	A182	
18.0	17.0	16.6	16.3	16.1	15.9	15.7	15.6	15.4	15.3	15.1	12.4	9.8	7.4	5.5	4.1	3.1	2.3	1.7	1.3	WP316	A403	
18.0	17.0	16.6	16.3	16.1	15.9	15.7	15.6	15.4	15.3	15.1	12.4	9.8	7.4	5.5	4.1	3.1	2.3	1.7	1.3	WP317	A403	
17.5	16.6	16.2	15.8	15.5	15.2	14.9	14.6	14.3	14.0	12.4	9.8	7.7	6.1	4.7	3.7	2.9	2.3	1.8	1.4	F304	A182	
17.5	16.6	16.2	15.8	15.5	15.2	14.9	14.6	14.3	14.0	12.4	9.8	7.7	6.1	4.7	3.7	2.9	2.3	1.8	1.4	WP304	A403	
17.5	16.6	16.2	15.8	15.5	15.2	14.9	14.6	14.3	14.0	12.4	9.8	7.7	6.1	4.7	3.7	2.9	2.3	1.8	1.4	WP304H	A403	
17.5	16.6	16.2	15.8	15.5	15.2	14.9	14.6	14.3	14.0	12.4	9.8	7.7	6.1	4.7	3.7	2.9	2.3	1.8	1.4	F304H	A182	
22.1	21.6	21.2	20.6	20.0	19.2	17.2	12.3	8.8	6.4	...	...	...	...	...	...	...	...	...	...	F6a Cl. 1	A182	
26.9	26.2	25.7	25.1	24.3	23.3	17.2	12.3	8.8	6.4	4.4	2.9	1.8	1.0	...	...	...	...	...	...	F6a Cl. 2	A182	
33.9	33.9	...	...	...	...	...	...	...	...	...	...	...	...	...	...	...	...	...	...	...	...	A182
33.9	33.9	...	...	...	...	...	...	...	...	...	...	...	...	...	...	...	...	...	...	...	...	A815
...	...	...	...	...	...	...	...	...	...	...	...	...	...	...	...	...	...	...	...	...	F6a Cl. 3	A182
...	...	...	...	...	...	...	...	...	...	...	...	...	...	...	...	...	...	...	...	...	F6b	A182
...	...	...	...	...	...	...	...	...	...	...	...	...	...	...	...	...	...	...	...	...	F6a Cl. 4	A182

(12)

**Table A-1 Basic Allowable Stresses in Tension for Metals<sup>1</sup> (Cont'd)**

Numbers in Parentheses Refer to Notes for Appendix A Tables; Specifications Are ASTM Unless Otherwise Indicated

Material	Product Form	Spec. No.	Type/Grade	UNS No.	Class/Condition/ Temper	P-No. Size, in. (5)	Notes	Min. Temp., °F (6)	Specified Min. Strength, ksi		Min. Temp.			
									Tensile	Yield	to 100	200	300	400
<b>Stainless Steel (3)(4a) (Cont'd)</b>														
<b>Bar</b>														
18Cr-8Ni	...	A479	304	S30400	...	8	(26)(28)(31)	-425	75	30	20.0	20.0	20.0	18.6
18Cr-8Ni	...	A479	304H	S30409	...	8	(26)(31)	-325	75	30	20.0	20.0	20.0	18.7
18Cr-8Ni	...	A479	304L	S30403	...	8	(31)	-425	70	25	16.7	16.7	16.7	15.8
16Cr-12Ni-2Mo	...	A479	316	S31600	...	8	(26)(28)(31)	-325	75	30	20.0	20.0	20.0	19.3
16Cr-12Ni-2Mo	...	A479	316H	S31609	...	8	(26)(31)	-325	75	30	20.0	20.0	20.0	19.3
16Cr-12Ni-2Mo	...	A479	316L	S31603	...	8	(31)	-425	70	25	16.7	16.7	16.7	15.5
18Cr-10Ni-Ti	...	A479	321	S32100	...	8	...	-325	75	30	20.0	20.0	20.0	20.0
18Cr-10Ni-Ti	...	A479	321H	S32109	...	8	(28)(30)	-325	75	30	20.0	20.0	20.0	20.0
18Cr-10Ni-Ti	...	A479	321H	S32109	...	8	...	-325	75	30	20.0	20.0	20.0	20.0
18Cr-10Ni-Cb	...	A479	347	S34700	...	8	...	-425	75	30	20.0	20.0	20.0	20.0
18Cr-10Ni-Cb	...	A479	347	S34700	...	8	(28)(30)	-425	75	30	20.0	20.0	20.0	20.0
18Cr-10Ni-Cb	...	A479	347H	S34709	...	8	...	-325	75	30	20.0	20.0	20.0	20.0
22Cr-13Ni-5Mn	...	A479	XM-19	S20910	...	8	...	-20	100	55	33.3	33.1	31.4	30.4
<b>Castings (2)</b>														
28Ni-20Cr-2Mo-3Cb	...	A351	CN7M	J95150	...	45	(9)(30)	-325	62	25	16.7	...	...	...
35Ni-15Cr-Mo	...	A351	HT30	N08603	...	45	(36)(39)	-325	65	28	18.7	...	...	...
25Cr-13Ni	...	A351	CH8	J93400	...	8	(9)(31)	-325	65	28	18.7	18.7	18.5	18.0
25Cr-20Ni	...	A351	CK20	J94202	...	8	(9)(27)(31)(35)(39)	-325	65	28	18.7	18.7	18.5	18.0
15Cr-15Ni-2Mo-Cb	...	A351	CF10MC	...	...	8	(30)	-325	70	30	20.0	...	...	...
18Cr-8Ni	...	A351	CF3	J92500	...	8	(9)	-425	70	30	20.0	20.0	20.0	18.6
17Cr-10Ni-2Mo	...	A351	CF3M	J92800	...	8	(9)	-425	70	30	20.0	20.0	20.0	19.2
18Cr-8Ni	...	A351	CF8	J92600	...	8	(9)(26)(27)(31)	-425	70	30	20.0	20.0	20.0	18.6
25Cr-13Ni	...	A351	CH10	J93401	...	8	(27)(31)(35)	-325	70	30	20.0	20.0	20.0	20.0
25Cr-13Ni	...	A351	CH20	J93402	...	8	(9)(27)(31)(35)(39)	-325	70	30	20.0	20.0	20.0	20.0
20Cr-10Ni-Cb	...	A351	CF8C	J92710	...	8	(9)(27)(30)	-325	70	30	20.0	20.0	20.0	20.0
18Cr-10Ni-2Mo	...	A351	CF8M	J92900	...	8	(9)(26)(27)(30)	-425	70	30	20.0	20.0	20.0	18.6
25Cr-20Ni	...	A351	HK40	J94204	...	8	(35)(36)(39)	-325	62	35	20.7	...	...	...
25Cr-20Ni	...	A351	HK30	J94203	...	8	(35)(39)	-325	65	35	21.7	...	...	...
18Cr-8Ni	...	A351	CF3A	J92500	...	8	(9)(56)	-425	77	35	23.3	23.3	22.7	21.7
18Cr-8Ni	...	A351	CF8A	J92600	...	8	(9)(26)(56)	-425	77	35	23.3	23.3	22.7	21.7
25Cr-10Ni-N	...	A351	CE20N	J92802	...	8	(35)(39)	-325	80	40	26.7	26.7	26.7	26.7
12Cr	...	A217	CA15	J91150	...	6	(35)	-20	90	65	30.0	30.0	29.4	28.9
24Cr-10Ni-Mo-N	...	A351	CE8MN	...	...	10H	(9)	-60	95	65	31.7	31.6	29.3	28.2
25Cr-8Ni-3Mo-W-Cu-N...	...	A351	CD3M-WCuN	...	...	10H	(9)(25)	-60	100	65	33.3	33.2	31.4	30.3
13Cr-4Ni	...	A487	CA6NM	J91540	A	6	(9)(35)	-20	110	80	36.7	36.7	35.9	35.3

**Table A-1 Basic Allowable Stresses in Tension for Metals<sup>1</sup> (Cont'd)** (12)  
 Numbers in Parentheses Refer to Notes for Appendix A Tables; Specifications Are ASTM Unless Otherwise Indicated

Basic Allowable Stress, S, ksi (1), at Metal Temperature, °F																				Type/ Grade	Spec. No.	
500	600	650	700	750	800	850	900	950	1,000	1,050	1,100	1,150	1,200	1,250	1,300	1,350	1,400	1,450	1,500			
<b>Stainless Steel (3)(4a) (Cont'd)</b>																						
<b>Bar</b>																						
17.5	16.6	16.2	15.8	15.5	15.2	14.9	14.6	14.3	14.0	12.4	9.8	7.7	6.1	4.7	3.7	2.9	2.3	1.8	1.4	304	A479	
17.5	16.4	16.2	16.0	15.6	15.2	14.9	14.6	14.4	13.8	12.2	9.7	7.7	6.0	4.7	3.7	2.9	2.3	1.8	1.4	304H	A479	
14.8	14.0	13.7	13.5	13.3	13.0	12.8	11.9	9.9	7.8	6.3	5.1	4.0	3.2	2.6	2.1	1.7	1.1	1.0	0.9	304L	A479	
17.9	17.0	16.7	16.3	16.1	15.9	15.7	15.5	15.4	15.3	14.5	12.4	9.8	7.4	5.5	4.1	3.1	2.3	1.7	1.3	316	A479	
17.9	17.0	16.7	16.3	16.1	15.9	15.7	15.5	15.4	15.3	14.5	12.4	9.8	7.4	5.5	4.1	3.1	2.3	1.7	1.3	316H	A479	
14.4	13.5	13.2	12.9	12.6	12.4	12.1	11.8	11.5	11.2	10.8	10.2	8.8	6.4	4.7	3.5	2.5	1.8	1.3	1.0	316L	A479	
19.3	18.3	17.9	17.5	17.2	16.9	16.7	16.5	16.4	16.2	9.6	6.9	5.0	3.6	2.6	1.7	1.1	0.8	0.5	0.3	321	A479	
19.3	18.3	17.9	17.5	17.2	16.9	16.7	16.5	16.4	16.2	12.3	9.1	6.9	5.4	4.1	3.2	2.5	1.9	1.5	1.1	321	A479	
19.3	18.3	17.9	17.5	17.2	16.9	16.7	16.5	16.4	16.2	12.3	9.1	6.9	5.4	4.1	3.2	2.5	1.9	1.5	1.1	321H	A479	
20.0	19.3	19.0	18.7	18.5	18.3	18.2	18.1	18.1	16.0	12.1	9.1	6.1	4.4	3.3	2.2	1.5	1.2	0.9	0.8	347	A479	
20.0	19.3	19.0	18.7	18.5	18.3	18.2	18.1	18.1	18.1	17.4	14.1	10.5	7.9	5.9	4.4	3.2	2.5	1.8	1.3	347	A479	
20.0	19.3	19.0	18.7	18.5	18.3	18.2	18.1	18.1	18.1	17.4	14.1	10.5	7.9	5.9	4.4	3.2	2.5	1.8	1.3	347H	A479	
29.7	29.2	29.0	28.8	28.6	28.3	27.9	27.5	27.0	26.3	25.5	20.4	13.0	8.3	...	...	...	...	...	...	XM-19	A479	
<b>Castings (2)</b>																						
...	...	...	...	...	...	...	...	...	...	...	...	...	...	...	...	...	...	...	...	...	CN7M	A351
...	...	...	...	...	...	...	...	...	...	...	...	...	...	...	...	...	...	...	...	...	HT30	A351
17.7	17.1	16.7	16.3	15.9	15.4	14.9	14.4	13.9	11.1	8.5	6.5	5.0	3.8	2.9	2.3	1.8	1.3	0.9	0.8	CH8	A351	
17.7	17.1	16.7	16.3	15.9	15.4	14.9	14.4	13.9	11.3	9.8	8.5	7.3	6.0	4.8	3.5	2.4	1.6	1.1	0.8	CK20	A351	
...	...	...	...	...	...	...	...	...	...	...	...	...	...	...	...	...	...	...	...	...	CF10MC	A351
17.5	16.6	16.2	15.8	15.5	15.2	...	...	...	...	...	...	...	...	...	...	...	...	...	...	...	CF3	A351
17.9	17.0	16.6	16.3	16.0	15.8	15.7	...	...	...	...	...	...	...	...	...	...	...	...	...	...	CF3M	A351
17.5	16.6	16.2	15.8	15.5	15.2	14.9	14.6	14.3	12.2	9.5	7.5	6.0	4.8	3.9	3.3	2.7	2.3	2.0	1.7	CF8	A351	
20.0	20.0	20.0	20.0	20.0	20.0	20.0	20.0	20.0	11.1	8.5	6.5	5.0	3.8	2.9	2.3	1.8	1.3	0.9	0.8	CH10	A351	
20.0	20.0	20.0	20.0	20.0	20.0	20.0	20.0	20.0	11.1	8.5	6.5	5.0	3.8	2.9	2.3	1.8	1.3	0.9	0.8	CH20	A351	
20.0	20.0	...	...	...	...	...	...	...	...	...	...	...	...	...	...	...	...	...	...	...	CF8C	A351
17.5	16.6	16.2	15.8	15.5	15.2	14.9	14.6	14.3	14.0	12.1	9.1	6.1	4.4	3.3	2.2	1.5	1.2	0.9	0.8	CF8M	A351	
...	...	...	...	...	...	...	...	...	...	...	...	...	...	...	...	...	...	...	...	...	HK40	A351
...	...	...	...	...	...	...	...	...	...	...	...	...	...	...	...	...	...	...	...	...	HK30	A351
20.4	19.3	18.9	18.5	...	...	...	...	...	...	...	...	...	...	...	...	...	...	...	...	...	CF3A	A351
20.4	19.3	18.9	18.5	...	...	...	...	...	...	...	...	...	...	...	...	...	...	...	...	...	CF8A	A351
26.7	26.7	26.7	26.7	26.7	26.7	26.7	26.7	...	...	...	...	...	...	...	...	...	...	...	...	...	CE20N	A351
28.4	27.7	27.2	26.5	17.5	16.8	14.9	11.0	7.6	5.0	3.3	2.3	1.5	1.0	...	...	...	...	...	...	CA15	A217	
28.2	28.2	...	...	...	...	...	...	...	...	...	...	...	...	...	...	...	...	...	...	...	CE8MN	A351
29.8	29.6	...	...	...	...	...	...	...	...	...	...	...	...	...	...	...	...	...	...	...	CD3M- WCuN	A351
34.8	33.9	33.3	32.4	...	...	...	...	...	...	...	...	...	...	...	...	...	...	...	...	...	CA6NM Cl. A	A487

**Table A-1 Basic Allowable Stresses in Tension for Metals<sup>1</sup> (Cont'd)**

Numbers in Parentheses Refer to Notes for Appendix A Tables; Specifications Are ASTM Unless Otherwise Indicated

Nominal Composition	Product Form	Spec. No.	UNS No.	Class/ Condition/ Temper	Size Range, in.	P-No. (5)(46)	Notes	Min. Temp., °F (6)	Specified Min. Strength, ksi	
									Tensile	Yield
<b>Copper and Copper Alloy Pipes and Tubes (2)</b>										
...	Pipe	B42	C10200	O61	...	31	...	-452	30	9
...	Pipe	B42	C12000	O61	...	31	...	-452	30	9
...	Pipe	B42	C12200	O61	...	31	...	-452	30	9
...	Tube	B75	C10200	O50	...	31	...	-452	30	9
...	Tube	B75	C10200	O60	...	31	...	-452	30	9
...	Tube	B75	C12000	O50	...	31	...	-452	30	9
...	Tube	B75	C12000	O60	...	31	...	-452	30	9
...	Tube	B75	C12200	O50	...	31	...	-452	30	9
...	Tube	B75	C12200	O60	...	31	...	-452	30	9
...	Tube	B68	C12200	O50	...	31	(24)	-452	30	9
...	Tube	B68	C12200	O60	...	31	(24)	-452	30	9
...	Tube	B88	C12200	O50	...	31	(24)	-452	30	9
...	Tube	B88	C12200	O60	...	31	(24)	-452	30	9
...	Tube	B280	C12200	O60	...	31	(24)	-452	30	9
Red brass	Pipe	B43	C23000	O61	...	32	...	-452	40	12
90Cu-10Ni	...	B467	C70600	WO50	> 4.5 O.D.	34	(14)	-452	38	13
90Cu-10Ni	...	B467	C70600	WO61	> 4.5 O.D.	34	(14)	-452	38	13
90Cu-10Ni	...	B466	C70600	Annealed	...	34	(14)	-452	38	13
90Cu-10Ni	...	B467	C70600	WO50	≤ 4.5 O.D.	34	(14)	-452	40	15
90Cu-10Ni	...	B467	C70600	WO61	≤ 4.5 O.D.	34	(14)	-452	40	15
70Cu-30Ni	...	B467	C71500	WO50	> 4.5 O.D.	34	(14)	-452	45	15
70Cu-30Ni	...	B467	C71500	WO61	> 4.5 O.D.	34	(14)	-452	45	15
80Cu-20Ni	...	B466	C71000	Annealed	≤ 4.5 O.D.	34	(14)	-452	45	16
...	Pipe	B42	C10200	H55	NPS 2½ thru 12	31	(14)(34)	-452	36	30
...	Pipe	B42	C12000	H55	NPS 2½ thru 12	31	(14)(34)	-452	36	30
...	Pipe	B42	C12200	H55	NPS 2½ thru 12	31	(14)(34)	-452	36	30
...	Tube	B75	C10200	H58	...	31	(14)(34)	-452	36	30
...	Tube	B75	C12000	H58	...	31	(14)(34)	-452	36	30
...	Tube	B75	C12200	H58	...	31	(14)(34)	-452	36	30
...	Tube	B88	C12200	H58	...	31	(14)(24)(34)	-452	36	30
70Cu-30Ni	...	B466	C71500	O60	...	34	(14)	-452	52	18
70Cu-30Ni	...	B467	C71500	WO50	≤ 4.5 O.D.	34	(14)	-452	50	20
70Cu-30Ni	...	B467	C71500	WO61	≤ 4.5 O.D.	34	(14)	-452	50	20
...	Pipe	B42	C10200	H80	NPS ⅛ thru 2	31	(14)(34)	-452	45	40
...	Pipe	B42	C12000	H80	NPS ⅛ thru 2	31	(14)(34)	-452	45	40
...	Pipe	B42	C12200	H80	NPS ⅛ thru 2	31	(14)(34)	-452	45	40
...	Tube	B75	C10200	H80	...	31	(14)(34)	-452	45	40
...	Tube	B75	C12000	H80	...	31	(14)(34)	-452	45	40
...	Tube	B75	C12200	H80	...	31	(14)(34)	-452	45	40
<b>Plates and Sheets</b>										
...	...	B152	C10200	O25	...	31	(14)(24)	-452	30	10
...	...	B152	C10400	O25	...	31	(14)(24)	-452	30	10
...	...	B152	C10500	O25	...	31	(14)(24)	-452	30	10
...	...	B152	C10700	O25	...	31	(14)(24)	-452	30	10
...	...	B152	C12200	O25	...	31	(14)(24)	-452	30	10
...	...	B152	C12300	O25	...	31	(14)(24)	-452	30	10



(12) **Table A-1 Basic Allowable Stresses in Tension for Metals<sup>1</sup> (Cont'd)**

Numbers in Parentheses Refer to Notes for Appendix A Tables; Specifications Are ASTM Unless Otherwise Indicated

Nominal Composition	Product Form	Spec. No.	UNS No.	Class/ Condition/ Temper	Size Range, in.	P-No. (5)(46)	Notes	Min. Temp., °F (6)	Specified Min. Strength, ksi	
									Tensile	Yield
<b>Copper and Copper Alloy (Cont'd)</b>										
<b>Plates and Sheets (Cont'd)</b>										
90Cu-10Ni	...	B171	C70600	...	≤ 2.5 thk.	34	(14)	-452	40	15
Cu-Si	...	B96	C65500	O61	...	33	...	-452	52	18
70Cu-30Ni	...	B171	C71500	...	≤ 2.5 thk.	34	(14)	-452	50	20
Al-bronze	...	B169	C61400	O25	≤ 2.0 thk.	35	(13)	-452	70	30
Al-bronze	...	B169	C61400	O60	≤ 2.0 thk.	35	(13)	-452	70	30
<b>Forgings</b>										
Cu	...	B283	C11000	...	...	31	(14)	-452	33	11
High Si-bronze (A)	...	B283	C65500	...	...	33	(14)	-452	52	18
Forging brass	...	B283	C37700	...	...	a	(14)	-325	58	23
Leaded naval brass	...	B283	C48500	...	...	a	(14)	-325	62	24
Naval brass	...	B283	C46400	...	...	32	(14)	-425	64	26
Mn-bronze (A)	...	B283	C67500	...	...	32	(14)	-325	72	34
<b>Castings (2)</b>										
Composition bronze	...	B62	C83600	...	...	a	(9)	-325	30	14
Leaded Ni-bronze	...	B584	C97300	...	...	a	...	-325	30	15
Leaded Ni-bronze	...	B584	C97600	...	...	a	...	-325	40	17
Leaded Sn-bronze	...	B584	C92300	...	...	a	...	-325	36	16
Leaded Sn-bronze	...	B584	C92200	...	...	a	...	-325	34	16
Steam bronze	...	B61	C92200	...	...	a	(9)	-325	34	16
Sn-bronze	...	B584	C90300	...	...	b	...	-325	40	18
Sn-bronze	...	B584	C90500	...	...	b	...	-325	40	18
Leaded Mn-bronze	...	B584	C86400	...	...	a	(9)	-325	60	20
Leaded Ni-bronze	...	B584	C97800	...	...	a	...	-325	50	22
No. 1 Mn-bronze	...	B584	C86500	...	...	b	...	-325	65	25
Al-bronze	...	B148	C95200	...	...	35	(9)	-425	65	25
Al-bronze	...	B148	C95300	...	...	35	(9)	-425	65	25
Si-Al-bronze	...	B148	C95600	...	...	35	...	-325	60	28
Al-bronze	...	B148	C95400	...	...	35	...	-325	75	30
Mn-bronze	...	B584	C86700	...	...	a	...	-325	80	32
Al-bronze	...	B148	C95500	...	...	35	...	-452	90	40
High strength Mn-bronze	...	B584	C86200	...	...	b	...	-325	90	45
High strength Mn-bronze	...	B584	C86300	...	...	b	...	-325	110	60
<b>Rod</b>										
Si-brass	...	B371	C69300	H02	≤ 1/2	a	...	-325	85	45
Si-brass	...	B371	C69300	H02	> 1/2, ≤ 1	a	...	-325	75	35
Si-brass	...	B371	C69300	H02	> 1, ≤ 2	a	...	-325	70	30

**Table A-1 Basic Allowable Stresses in Tension for Metals<sup>1</sup> (Cont'd)**

(12)

Numbers in Parentheses Refer to Notes for Appendix A Tables; Specifications Are ASTM Unless Otherwise Indicated

Basic Allowable Stress, <i>S</i> , ksi (1), at Metal Temperature, °F														UNS No.	Spec. No.
Min. Temp. to 100	150	200	250	300	350	400	450	500	550	600	650	700			
														<b>Copper and Copper Alloy (Cont'd) Plates and Sheets (Cont'd)</b>	
10.0	9.7	9.5	9.3	9.1	8.9	8.7	8.5	8.0	7.0	6.0	...	...	C70600	B171	
12.0	11.9	11.9	11.7	11.6	10.0	...	...	...	...	...	...	...	C65500	B96	
13.3	12.9	12.6	12.3	12.0	11.7	11.5	11.2	11.0	10.8	10.7	10.5	10.4	C71500	B171	
20.0	19.9	19.8	19.7	19.5	19.4	19.2	19.0	18.8	...	...	...	...	C61400	B169	
20.0	19.9	19.8	19.7	19.5	19.4	19.2	19.0	18.8	...	...	...	...	C61400	B169	
														<b>Forgings</b>	
7.3	6.2	6.0	5.8	5.0	4.0	3.0	2.3	1.7	...	...	...	...	C11000	B283	
12.0	11.9	11.9	11.7	11.6	10.0	6.7	...	...	...	...	...	...	C65500	B283	
15.3	14.5	13.9	13.3	10.5	7.5	2.0	...	...	...	...	...	...	C37700	B283	
16.0	16.0	16.0	16.0	16.0	16.0	16.0	...	...	...	...	...	...	C48500	B283	
17.3	17.3	17.3	17.3	17.1	6.3	2.5	...	...	...	...	...	...	C46400	B283	
22.7	22.7	22.7	22.7	22.7	22.7	22.7	...	...	...	...	...	...	C67500	B283	
														<b>Castings (2)</b>	
9.3	9.3	9.2	8.6	8.1	7.7	7.4	7.3	...	...	...	...	...	C83600	B62	
10.0	...	...	...	...	...	...	...	...	...	...	...	...	C97300	B584	
11.3	10.1	9.5	9.1	8.7	...	...	...	...	...	...	...	...	C97600	B584	
10.7	10.7	10.7	10.7	10.7	10.7	10.7	...	...	...	...	...	...	C92300	B584	
10.7	9.6	9.5	9.4	9.2	8.9	8.6	...	...	...	...	...	...	C92200	B584	
10.7	9.6	9.5	9.4	9.2	8.9	8.6	8.4	8.3	8.3	...	...	...	C92200	B61	
12.0	12.0	12.0	12.0	12.0	12.0	12.0	...	...	...	...	...	...	C90300	B584	
12.0	12.0	12.0	12.0	12.0	12.0	12.0	...	...	...	...	...	...	C90500	B584	
13.3	13.3	13.3	13.3	13.3	13.3	...	...	...	...	...	...	...	C86400	B584	
14.7	14.7	14.7	14.7	14.7	14.7	...	...	...	...	...	...	...	C97800	B584	
16.7	16.7	16.7	16.7	16.7	16.7	...	...	...	...	...	...	...	C86500	B584	
16.7	15.7	15.2	14.8	14.5	14.3	14.2	14.1	14.1	11.7	7.4	...	...	C95200	B148	
16.7	16.7	16.7	16.7	16.7	16.7	16.7	16.7	16.7	16.7	16.7	...	...	C95300	B148	
18.7	...	...	...	...	...	...	...	...	...	...	...	...	C95600	B148	
20.0	19.0	18.7	18.5	18.5	18.5	18.5	16.0	13.9	...	...	...	...	C95400	B148	
21.3	21.3	21.3	21.3	21.3	21.3	...	...	...	...	...	...	...	C86700	B584	
26.7	26.7	26.7	26.7	26.7	26.7	26.7	26.7	26.7	...	...	...	...	C95500	B148	
30.0	30.0	30.0	30.0	30.0	30.0	...	...	...	...	...	...	...	C86200	B584	
36.7	36.7	36.7	36.7	36.7	36.7	...	...	...	...	...	...	...	C86300	B584	
														<b>Rod</b>	
28.3	25.9	25.4	25.4	25.4	...	...	...	...	...	...	...	...	C69300	B371	
23.3	20.2	19.8	19.8	19.8	...	...	...	...	...	...	...	...	C69300	B371	
20.0	17.3	17.0	17.0	17.0	...	...	...	...	...	...	...	...	C69300	B371	

(12) **Table A-1 Basic Allowable Stresses in Tension for Metals<sup>1</sup> (Cont'd)**

Numbers in Parentheses Refer to Notes for Appendix A Tables; Specifications Are ASTM Unless Otherwise Indicated

Nominal Composition	Spec. No.	UNS No.	Class/Condition/ Temper	Size Range, in.	P-No. (5)	Notes	Min. Temp., °F (6)	Specified Min. Strength, ksi		Min. Temp. to 100	200	300	400	500	600	650
								Tensile	Yield							
<b>Nickel and Nickel Alloy (4a)</b>																
<b>Pipes and Tubes (2)</b>																
Low C-Ni	B161	N02201	Annealed	> 5 O.D.	41	...	-325	50	10	6.7	6.4	6.3	6.3	6.3	6.3	6.2
Low C-Ni	B725	N02201	Annealed	> 5 O.D.	41	...	-325	50	10	6.7	6.4	6.3	6.3	6.3	6.3	6.2
Ni	B161	N02200	Annealed	> 5 O.D.	41	...	-325	55	12	8.0	8.0	8.0	8.0	8.0	8.0	...
Ni	B725	N02200	Annealed	> 5 O.D.	41	...	-325	55	12	8.0	8.0	8.0	8.0	8.0	8.0	...
Low C-Ni	B161	N02201	Annealed	≤ 5 O.D.	41	...	-325	50	12	8.0	7.7	7.5	7.5	7.5	7.5	7.5
Low C-Ni	B725	N02201	Annealed	≤ 5 O.D.	41	...	-325	50	12	8.0	7.7	7.5	7.5	7.5	7.5	7.5
Ni	B161	N02200	Annealed	≤ 5 O.D.	41	...	-325	55	15	10.0	10.0	10.0	10.0	10.0	10.0	...
Ni	B725	N02200	Annealed	≤ 5 O.D.	41	...	-325	55	15	10.0	10.0	10.0	10.0	10.0	10.0	...
Ni-Cu	B165	N04400	Annealed	> 5 O.D.	42	...	-325	70	25	16.7	14.6	13.6	13.2	13.1	13.1	13.1
Ni-Cu	B725	N04400	Annealed	> 5 O.D.	42	...	-325	70	25	16.7	14.6	13.6	13.2	13.1	13.1	13.1
Ni-Fe-Cr	B407	N08800	H.F. or H.F. ann.	...	45	...	-325	65	25	16.7	16.7	16.7	16.7	16.7	16.7	16.7
Ni-Cr-Fe	B167	N06600	H.F. or H.F. ann.	> 5 O.D.	43	...	-325	75	25	16.7	16.7	16.7	16.7	16.7	16.7	16.7
Ni-Fe-Cr	B407	N08810	C.D. sol. ann. or H.F. ann.	...	45	(62)	-325	65	25	16.7	16.7	16.7	16.7	16.7	16.5	16.1
Ni-Fe-Cr	B514	N08810	Annealed	...	45	(62)	-325	65	25	16.7	16.7	16.7	16.7	16.7	16.5	16.1
Ni-Fe-Cr	B407	N08811	C.D. sol. ann. or H.F. ann.	...	45	(62)	-325	65	25	16.7	16.7	16.7	16.7	16.7	16.5	16.1
Ni-Cu	B165	N04400	Annealed	≤ 5 O.D.	42	...	-325	70	28	18.7	16.4	15.2	14.7	14.7	14.7	14.7
Ni-Cu	B725	N04400	Annealed	≤ 5 O.D.	42	...	-325	70	28	18.7	16.4	15.2	14.7	14.7	14.7	14.7
Ni-Fe-Cr-Mo	B619	N08320	Sol. ann.	...	45	...	-325	75	28	18.7	18.7	18.7	18.7	18.7	18.6	18.2
Ni-Fe-Cr-Mo	B622	N08320	Sol. ann.	...	45	...	-325	75	28	18.7	18.7	18.7	18.7	18.7	18.6	18.2
Low C-Ni	B161	N02201	Str. rel.	...	41	...	-325	60	30	20.0	20.0	19.8	19.8	19.7	19.0	...
Low C-Ni	B725	N02201	Str. rel.	...	41	...	-325	60	30	20.0	20.0	19.8	19.8	19.7	19.0	...
Ni-Fe-Cr	B514	N08800	Annealed	...	45	...	-325	75	30	20.0	20.0	20.0	20.0	20.0	20.0	20.0
Ni-Cr-Fe	B167	N06600	H.F. or H.F. ann.	≤ 5 O.D.	43	...	-325	80	30	20.0	20.0	20.0	20.0	20.0	20.0	20.0
Ni-Cr-Fe	B167	N06600	C.D. ann.	> 5 O.D.	43	...	-325	80	30	20.0	20.0	20.0	20.0	20.0	20.0	20.0
Ni-Fe-Cr	B407	N08800	C.D. ann.	...	45	(61)	-325	75	30	20.0	20.0	20.0	20.0	20.0	20.0	20.0
Ni	B161	N02200	Str. rel.	...	41	...	-325	65	40	21.7	21.7	21.6	21.6	21.4	20.6	...
Ni	B725	N02200	Str. rel.	...	41	...	-325	65	40	21.7	21.7	21.6	21.6	21.4	20.6	...
Cr-Ni-Fe-Mo-Cu-Cb	B464	N08020	Annealed	...	45	...	-325	80	35	23.3	23.3	23.3	23.3	23.3	23.3	23.3
Cr-Ni-Fe-Mo-Cu-Cb	B729	N08020	Annealed	...	45	...	-325	80	35	23.3	23.3	23.3	23.3	23.3	23.3	23.3
Ni-Cr-Fe-Mo-Cu	B423	N08825	C.D. ann.	...	45	...	-325	85	35	23.3	23.3	23.3	23.3	23.3	23.3	23.3
Ni-Cr-Fe-Mo-Cu	B705	N08825	...	...	45	...	-325	85	35	23.3	23.3	23.3	23.3	23.3	23.3	23.3
Ni-Cr-Fe-Mo-Cu	B619	N06007	Sol. ann.	...	45	...	-325	90	35	23.3	23.3	23.3	23.3	23.3	22.7	22.4
Ni-Cr-Fe-Mo-Cu	B622	N06007	Sol. ann.	...	45	...	-325	90	35	23.3	23.3	23.3	23.3	23.3	22.7	22.4
Ni-Cr-Fe-Mo-W	B619	N06030	Sol. ann.	...	45	...	-325	85	35	23.3	23.3	23.3	23.2	22.1	21.3	20.9
Ni-Cr-Fe-Mo-W	B622	N06030	Sol. ann.	...	45	...	-325	85	35	23.3	23.3	23.3	23.2	22.1	21.3	20.9
Ni-Cr-Fe-Mo-W	B626	N06030	Sol. ann.	...	45	...	-325	85	35	23.3	23.3	23.3	23.2	22.1	21.3	20.9
Ni-Cr-Fe	B167	N06600	C.D. ann.	≤ 5 O.D.	43	...	-325	80	35	23.3	23.3	23.3	23.3	23.3	23.3	23.3
Ni-Cr-Fe	B517	N06600	C.D. ann.	...	43	...	-325	80	35	23.3	23.3	23.3	23.3	23.3	23.3	23.3
Ni-Mo-Cr	B619	N06455	Sol. ann.	...	43	...	-325	100	40	26.7	26.7	26.7	26.7	26.7	26.7	26.7



**Table A-1 Basic Allowable Stresses in Tension for Metals<sup>1</sup> (Cont'd)**  
 Numbers in Parentheses Refer to Notes for Appendix A Tables; Specifications Are ASTM Unless Otherwise Indicated

Basic Allowable Stress, S, ksi (1), at Metal Temperature, °F																				UNS	Spec.
700	750	800	850	900	950	1,000	1,050	1,100	1,150	1,200	1,250	1,300	1,350	1,400	1,450	1,500	1,550	1,600	1,650	No.	No.
																				<b>Nickel and Nickel Alloy (4a) Pipes and Tubes (2)</b>	
6.2	6.1	6.0	5.8	4.5	3.7	3.0	2.4	2.0	1.5	1.2	...	...	...	...	...	...	...	...	...	N02201	B161
6.2	6.1	6.0	5.8	4.5	3.7	3.0	2.4	2.0	1.5	1.2	..	...	...	...	...	...	...	...	...	N02201	B725
...	...	...	...	...	...	...	...	...	...	...	...	...	...	...	...	...	...	...	...	N02200	B161
...	...	...	...	...	...	...	...	...	...	...	...	...	...	...	...	...	...	...	...	N02200	B725
7.4	7.3	7.2	5.8	4.5	3.7	3.0	2.4	2.0	1.5	1.2	...	...	...	...	...	...	...	...	...	N02201	B161
7.4	7.3	7.2	5.8	4.5	3.7	3.0	2.4	2.0	1.5	1.2	...	...	...	...	...	...	...	...	...	N02201	B725
...	...	...	...	...	...	...	...	...	...	...	...	...	...	...	...	...	...	...	...	N02200	B161
...	...	...	...	...	...	...	...	...	...	...	...	...	...	...	...	...	...	...	...	N02200	B725
13.0	12.9	12.7	11.0	8.0	...	...	...	...	...	...	...	...	...	...	...	...	...	...	...	N04400	B165
13.0	12.9	12.7	11.0	8.0	...	...	...	...	...	...	...	...	...	...	...	...	...	...	...	N04400	B725
16.7	16.7	16.7	16.7	16.7	16.7	16.6	16.3	13.0	9.8	6.6	4.2	2.0	1.6	1.1	1.0	0.8	...	...	...	N08800	B407
16.7	16.7	16.7	16.7	16.0	10.6	7.0	4.5	3.0	2.2	2.0	...	...	...	...	...	...	...	...	...	N06600	B167
15.7	15.3	15.0	14.7	14.5	14.2	14.0	13.8	11.6	9.3	7.4	5.9	4.7	3.8	3.0	2.4	1.9	1.5	1.2	1.0	N08810	B407
15.7	15.3	15.0	14.7	14.5	14.2	14.0	13.8	11.6	9.3	7.4	5.9	4.7	3.8	3.0	2.4	1.9	1.5	1.2	1.0	N08810	B514
15.7	15.3	15.0	14.7	14.5	14.2	14.0	13.7	12.9	10.4	8.3	6.7	5.4	4.3	3.4	2.7	2.2	1.6	1.2	0.91	N08811	B407
14.6	14.5	14.3	11.0	8.0	...	...	...	...	...	...	...	...	...	...	...	...	...	...	...	N04400	B165
14.6	14.5	14.3	11.0	8.0	...	...	...	...	...	...	...	...	...	...	...	...	...	...	...	N04400	B725
17.8	17.5	17.2	...	...	...	...	...	...	...	...	...	...	...	...	...	...	...	...	...	N08320	B619
17.8	17.5	17.2	...	...	...	...	...	...	...	...	...	...	...	...	...	...	...	...	...	N08320	B622
...	...	...	...	...	...	...	...	...	...	...	...	...	...	...	...	...	...	...	...	N02201	B161
...	...	...	...	...	...	...	...	...	...	...	...	...	...	...	...	...	...	...	...	N02201	B725
20.0	20.0	20.0	20.0	20.0	20.0	19.9	17.0	13.0	9.8	6.6	4.2	2.0	1.6	1.1	1.0	0.8	...	...	...	N08800	B514
20.0	20.0	20.0	20.0	16.0	10.6	7.0	4.5	3.0	2.2	2.0	...	...	...	...	...	...	...	...	...	N06600	B167
20.0	20.0	20.0	20.0	16.0	10.6	7.0	4.5	3.0	2.2	2.0	...	...	...	...	...	...	...	...	...	N06600	B167
20.0	20.0	20.0	20.0	20.0	20.0	19.9	17.0	13.0	9.8	6.6	4.2	2.0	1.6	1.1	1.0	0.8	...	...	...	N08800	B407
...	...	...	...	...	...	...	...	...	...	...	...	...	...	...	...	...	...	...	...	N02200	B161
...	...	...	...	...	...	...	...	...	...	...	...	...	...	...	...	...	...	...	...	N02200	B725
23.3	23.2	22.7	...	...	...	...	...	...	...	...	...	...	...	...	...	...	...	...	...	N08020	B464
23.3	23.2	22.7	...	...	...	...	...	...	...	...	...	...	...	...	...	...	...	...	...	N08020	B729
23.3	23.2	23.0	22.9	22.8	22.6	22.3	...	...	...	...	...	...	...	...	...	...	...	...	...	N08825	B423
23.3	23.2	23.0	22.9	22.8	22.6	22.3	...	...	...	...	...	...	...	...	...	...	...	...	...	N08825	B705
22.2	22.0	21.8	21.7	20.0	19.5	18.9	...	...	...	...	...	...	...	...	...	...	...	...	...	N06007	B619
22.2	22.0	21.8	...	...	...	...	...	...	...	...	...	...	...	...	...	...	...	...	...	N06007	B622
20.5	20.1	19.7	...	...	...	...	...	...	...	...	...	...	...	...	...	...	...	...	...	N06030	B619
20.5	20.1	19.7	...	...	...	...	...	...	...	...	...	...	...	...	...	...	...	...	...	N06030	B622
20.5	20.1	19.7	...	...	...	...	...	...	...	...	...	...	...	...	...	...	...	...	...	N06030	B626
23.3	23.3	23.3	23.3	16.0	10.6	7.0	4.5	3.0	2.2	2.0	...	...	...	...	...	...	...	...	...	N06600	B167
23.3	23.3	23.3	23.3	16.0	10.6	7.0	4.5	3.0	2.2	2.0	...	...	...	...	...	...	...	...	...	N06600	B517
26.5	26.2	25.8	...	...	...	...	...	...	...	...	...	...	...	...	...	...	...	...	...	N06455	B619

(12) **Table A-1 Basic Allowable Stresses in Tension for Metals<sup>1</sup> (Cont'd)**

Numbers in Parentheses Refer to Notes for Appendix A Tables; Specifications Are ASTM Unless Otherwise Indicated

Nominal Composition	Product Form	Spec. No.	Type/Grade	UNS No.	Class/Condition/ Temper	Size Range, in.	P-No. (5)	Notes	Min. Temp., °F (6)	Specified Min. Strength, ksi		Min. Temp.						
										Tensile	Yield	to 100	200	300	400	500		
<b>Nickel and Nickel Alloy (4a) (Cont'd)</b>																		
<b>Pipes and Tubes (2) (Cont'd)</b>																		
Ni-Cr-Mo-Fe	...	B619	...	N06002	Sol. ann.	...	43	...	-325	100	40	26.7	26.7	26.7	26.7	25.5		
Ni-Cr-Mo-Fe	...	B622	...	N06002	Sol. ann.	...	43	...	-325	100	40	26.7	26.7	26.7	26.7	25.5		
Low C-Ni-Fe-Cr-Mo-Cu	...	B619	...	N08031	Annealed	...	45	...	-325	94	40	26.7	26.7	26.7	24.7	23.3		
Low C-Ni-Fe-Cr-Mo-Cu	...	B622	...	N08031	Annealed	...	45	...	-325	94	40	26.7	26.7	26.7	24.7	23.3		
Ni-Mo-Cr	...	B622	...	N06455	Sol. ann.	...	43	...	-325	100	40	26.7	26.7	26.7	26.7	26.7		
Ni-Mo-Cr	...	B619	...	N10276	Sol. ann.	...	43	...	-325	100	41	27.3	27.3	27.3	27.3	26.9		
Ni-Mo-Cr	...	B622	...	N10276	Sol. ann.	...	43	...	-325	100	41	27.3	27.3	27.3	27.3	26.9		
Ni-Mo-Cr	...	B626	...	N10276	Sol. ann.	...	43	...	-325	100	41	27.3	27.3	27.3	27.3	26.9		
Ni-Cu	...	B165	...	N04400	Str. rel.	...	42	(54)	-325	85	55	28.3	28.3	28.3	28.3	28.3		
Ni-Cu	...	B725	...	N04400	Str. rel.	...	42	(54)	-325	85	55	28.3	28.3	28.3	28.3	28.3		
Fe-Ni-Cr-Mo-Cu-N	...	B675	...	N08367	Annealed	> 3/16	45	...	-325	95	45	30.0	30.0	29.9	28.6	27.7		
Fe-Ni-Cr-Mo-Cu-N	...	B690	...	N08367	Annealed	> 3/16	45	...	-325	95	45	30.0	30.0	29.9	28.6	27.7		
Fe-Ni-Cr-Mo-Cu-N	...	B804	...	N08367	Annealed	> 3/16	45	...	-325	95	45	30.0	30.0	29.9	28.6	27.7		
Fe-Ni-Cr-Mo-Cu-N	...	B675	...	N08367	Annealed	≤ 3/16	45	...	-325	100	45	30.0	30.0	30.0	29.6	27.7		
Fe-Ni-Cr-Mo-Cu-N	...	B690	...	N08367	Annealed	≤ 3/16	45	...	-325	100	45	30.0	30.0	30.0	29.6	27.7		
Fe-Ni-Cr-Mo-Cu-N	...	B804	...	N08367	Annealed	≤ 3/16	45	...	-325	100	45	30.0	30.0	29.9	28.6	27.7		
Ni-Cr-Mo	...	B619	...	N06022	Sol. ann.	...	43	...	-325	100	45	30.0	30.0	30.0	30.0	29.0		
Ni-Cr-Mo	...	B622	...	N06022	Sol. ann.	...	43	...	-325	100	45	30.0	30.0	30.0	30.0	29.0		
Ni-Cr-Mo	...	B619	...	N06035	Sol. ann.	...	43	...	-325	85	35	23.3	23.3	23.3	22.2	20.6		
Ni-Cr-Mo	...	B622	...	N06035	Sol. ann.	...	43	...	-325	85	35	23.3	23.3	23.3	22.2	20.6		
Ni-Cr-Mo	...	B626	...	N06035	Sol. ann.	...	43	...	-325	85	35	23.3	23.3	23.3	22.2	20.6		
Low C-Ni-Cr-Mo	...	B619	...	N06059	Sol. ann.	...	43	...	-325	100	45	30.0	30.0	30.0	30.0	29.7		
Low C-Ni-Cr-Mo	...	B622	...	N06059	Sol. ann.	...	43	...	-325	100	45	30.0	30.0	30.0	30.0	29.7		
Low C-Ni-Cr-Mo	...	B619	...	N06200	Sol. ann.	All	43	...	-325	100	45	30.0	30.0	30.0	30.0	28.6		
Low C-Ni-Cr-Mo	...	B622	...	N06200	Sol. ann.	All	43	...	-325	100	45	30.0	30.0	30.0	30.0	28.6		
Low C-Ni-Cr-Mo	...	B626	...	N06200	Sol. ann.	All	43	...	-325	100	45	30.0	30.0	30.0	30.0	28.6		
Ni-Mo	...	B619	...	N10001	Sol. ann.	...	44	...	-325	100	45	30.0	30.0	30.0	30.0	30.0		
Ni-Mo	...	B622	...	N10001	Sol. ann.	...	44	...	-325	100	45	30.0	30.0	30.0	30.0	30.0		
Ni-Mo	...	B619	...	N10665	Sol. ann.	...	44	...	-325	110	51	34.0	34.0	34.0	34.0	34.0		
Ni-Mo	...	B622	...	N10665	Sol. ann.	...	44	...	-325	110	51	34.0	34.0	34.0	34.0	34.0		
Ni-Mo	...	B619	...	N10675	Sol. ann.	...	44	...	-325	110	51	34.0	34.0	34.0	34.0	34.0		
Ni-Mo	...	B622	...	N10675	Sol. ann.	...	44	...	-325	110	51	34.0	34.0	34.0	34.0	34.0		
Ni-Mo	...	B626	...	N10675	Sol. ann.	...	44	...	-325	110	51	34.0	34.0	34.0	34.0	34.0		
Ni-Cr-Mo-Cb	...	B444	...	N06625	Annealed	...	43	(64)(70)	-325	120	60	40.0	40.0	39.6	39.2	38.6		
Ni-Cr-W-Mo	...	B619	...	N06230	Sol. ann.	...	43	...	-325	110	45	30.0	30.0	30.0	30.0	30.0		
Ni-Cr-W-Mo	...	B622	...	N06230	Sol. ann.	...	43	...	-325	110	45	30.0	30.0	30.0	30.0	30.0		
Ni-Cr-W-Mo	...	B626	...	N06230	Sol. ann.	...	43	...	-325	110	45	30.0	30.0	30.0	30.0	30.0		
<b>Plates and Sheets</b>																		
Low C-Ni	Plate	B162	...	N02201	H.R. ann.	...	41	...	-325	50	12	8.0	7.7	7.5	7.5	7.5		
Low C-Ni	Plate	B162	...	N02201	H.R. as R.	...	41	...	-325	50	12	8.0	7.7	7.5	7.5	7.5		
Ni	Plate	B162	...	N02200	H.R. ann.	...	41	...	-325	55	15	10.0	10.0	10.0	10.0	10.0		
Ni	Plate	B162	...	N02200	H.R. as R.	...	41	...	-325	55	20	13.3	13.3	13.3	13.3	13.3		
Ni-Fe-Cr	...	B409	...	N08810	Annealed	All	45	...	-325	65	25	16.7	16.7	16.7	16.7	16.7		
Ni-Fe-Cr	...	B409	...	N08811	Annealed	All	45	...	-325	65	25	16.7	16.7	16.7	16.7	16.7		

**Table A-1 Basic Allowable Stresses in Tension for Metals<sup>1</sup> (Cont'd)**  
 Numbers in Parentheses Refer to Notes for Appendix A Tables; Specifications Are ASTM Unless Otherwise Indicated

(12)

Basic Allowable Stress, S, ksi (1), at Metal Temperature, °F																					UNS No.	Spec.	
600	650	700	750	800	850	900	950	1,000	1,050	1,100	1,150	1,200	1,250	1,300	1,350	1,400	1,450	1,500	1,550	1,600	1,650	or Grade	No.
<b>Nickel and Nickel Alloy (4a) (Cont'd)</b>																							
<b>Pipes and Tubes (2) (Cont'd)</b>																							
24.2	23.7	23.3	22.9	22.7	22.5	19.6	19.5	19.3	19.3	17.5	14.1	11.3	9.3	7.7	6.1	4.8	3.8	3.0	...	...	...	N06002	B619
24.2	23.7	23.3	22.9	22.7	22.5	19.6	19.5	19.3	19.3	17.5	14.1	11.3	9.3	7.7	6.1	4.8	3.8	3.0	...	...	...	N06002	B622
22.2	21.7	11.1	8.9	7.2	...	...	...	...	...	...	...	...	...	...	...	...	...	...	...	...	...	N08031	B619
22.2	21.7	11.1	8.9	7.2	...	...	...	...	...	...	...	...	...	...	...	...	...	...	...	...	...	N08031	B622
26.7	26.7	26.5	26.1	25.8	...	...	...	...	...	...	...	...	...	...	...	...	...	...	...	...	...	N06455	B622
25.2	24.6	24.0	23.5	23.1	22.8	22.6	22.4	22.3	18.5	15.0	12.2	9.8	7.8	...	...	...	...	...	...	...	...	N10276	B619
25.2	24.6	24.0	23.5	23.1	22.8	22.6	22.4	22.3	18.5	15.0	12.2	9.8	7.8	...	...	...	...	...	...	...	...	N10276	B622
25.2	24.6	24.0	23.5	23.1	22.8	22.6	22.4	22.3	18.5	15.0	12.2	9.8	7.8	...	...	...	...	...	...	...	...	N10276	B626
...	...	...	...	...	...	...	...	...	...	...	...	...	...	...	...	...	...	...	...	...	...	N04400	B165
...	...	...	...	...	...	...	...	...	...	...	...	...	...	...	...	...	...	...	...	...	...	N04400	B725
26.2	25.6	25.1	24.7	24.3	23.9	23.6	...	...	...	...	...	...	...	...	...	...	...	...	...	...	...	N08367	B675
26.2	25.6	25.1	24.7	24.3	23.9	23.6	...	...	...	...	...	...	...	...	...	...	...	...	...	...	...	N08367	B690
26.2	25.6	25.1	24.7	24.3	23.9	23.6	...	...	...	...	...	...	...	...	...	...	...	...	...	...	...	N08367	B804
26.2	25.6	25.1	24.7	24.3	23.9	23.6	...	...	...	...	...	...	...	...	...	...	...	...	...	...	...	N08367	B675
26.2	25.6	25.1	24.7	24.3	23.9	23.6	...	...	...	...	...	...	...	...	...	...	...	...	...	...	...	N08367	B690
26.2	25.6	25.1	24.7	24.3	...	...	...	...	...	...	...	...	...	...	...	...	...	...	...	...	...	N08367	B804
27.6	27.0	26.5	26.1	25.7	...	...	...	...	...	...	...	...	...	...	...	...	...	...	...	...	...	N06022	B619
27.6	27.0	26.5	26.1	25.7	...	...	...	...	...	...	...	...	...	...	...	...	...	...	...	...	...	N06022	B622
19.7	19.4	19.2	19.0	18.8	...	...	...	...	...	...	...	...	...	...	...	...	...	...	...	...	...	N06035	B619
19.7	19.4	19.2	19.0	18.8	...	...	...	...	...	...	...	...	...	...	...	...	...	...	...	...	...	N06035	B622
19.7	19.4	19.2	19.0	18.8	...	...	...	...	...	...	...	...	...	...	...	...	...	...	...	...	...	N06035	B626
28.2	27.5	26.8	26.1	25.5	...	...	...	...	...	...	...	...	...	...	...	...	...	...	...	...	...	N06059	B619
28.2	27.5	26.8	26.1	25.5	...	...	...	...	...	...	...	...	...	...	...	...	...	...	...	...	...	N06059	B622
26.9	26.2	25.7	25.4	25.2	...	...	...	...	...	...	...	...	...	...	...	...	...	...	...	...	...	N06200	B619
26.9	26.2	25.7	25.4	25.2	...	...	...	...	...	...	...	...	...	...	...	...	...	...	...	...	...	N06200	B622
26.9	26.2	25.7	25.4	25.2	...	...	...	...	...	...	...	...	...	...	...	...	...	...	...	...	...	N06200	B626
30.0	30.0	30.0	30.0	29.9	...	...	...	...	...	...	...	...	...	...	...	...	...	...	...	...	...	N10001	B619
30.0	30.0	30.0	30.0	29.9	...	...	...	...	...	...	...	...	...	...	...	...	...	...	...	...	...	N10001	B622
34.0	34.0	34.0	34.0	34.0	...	...	...	...	...	...	...	...	...	...	...	...	...	...	...	...	...	N10665	B619
34.0	34.0	34.0	34.0	34.0	...	...	...	...	...	...	...	...	...	...	...	...	...	...	...	...	...	N10665	B622
34.0	34.0	34.0	33.9	33.5	...	...	...	...	...	...	...	...	...	...	...	...	...	...	...	...	...	N10675	B619
34.0	34.0	34.0	33.9	33.5	...	...	...	...	...	...	...	...	...	...	...	...	...	...	...	...	...	N10675	B622
34.0	34.0	34.0	33.9	33.5	...	...	...	...	...	...	...	...	...	...	...	...	...	...	...	...	...	N10675	B626
37.8	37.4	37.0	36.6	36.3	36.1	35.8	35.4	31.2	31.2	23.1	21.0	13.2	...	...	...	...	...	...	...	...	...	N06625	B444
29.6	29.1	28.7	28.4	28.2	28.2	28.2	28.2	28.2	28.2	23.2	19.0	15.6	12.9	10.6	8.5	6.7	5.3	4.1	2.9	2.1	1.5	N06230	B619
29.6	29.1	28.7	28.4	28.2	28.2	28.2	28.2	28.2	28.2	23.2	19.0	15.6	12.9	10.6	8.5	6.7	5.3	4.1	2.9	2.1	1.5	N06230	B622
29.6	29.1	28.7	28.4	28.2	28.2	28.2	28.2	28.2	28.2	23.2	19.0	15.6	12.9	10.6	8.5	6.7	5.3	4.1	2.9	2.1	1.5	N06230	B626
<b>Plates and Sheets</b>																							
7.5	7.5	7.4	7.4	7.2	5.8	4.5	3.7	3.0	2.4	2.0	1.5	1.2	...	...	...	...	...	...	...	...	...	N02201	B162
7.5	7.5	7.4	7.4	7.2	5.8	4.5	3.7	3.0	2.4	2.0	1.5	1.2	...	...	...	...	...	...	...	...	...	N02201	B162
10.0	...	...	...	...	...	...	...	...	...	...	...	...	...	...	...	...	...	...	...	...	...	N02200	B162
13.3	...	...	...	...	...	...	...	...	...	...	...	...	...	...	...	...	...	...	...	...	...	N02200	B162
16.6	16.2	15.8	15.5	15.1	14.9	14.6	14.3	14.0	13.8	11.6	9.3	7.4	5.9	4.7	3.8	3.0	2.4	1.9	1.5	1.2	1.0	N08810	B409
16.5	16.1	15.7	15.3	15.0	14.7	14.5	14.2	14.0	13.7	12.9	10.4	8.3	6.7	5.4	4.3	3.4	2.7	2.2	1.7	1.4	1.1	N08811	B409



**Table A-1 Basic Allowable Stresses in Tension for Metals<sup>1</sup> (Cont'd)**  
 Numbers in Parentheses Refer to Notes for Appendix A Tables; Specifications Are ASTM Unless Otherwise Indicated

(12)

Basic Allowable Stress, S, ksi (1), at Metal Temperature, °F																					UNS No.	Spec.	
600	650	700	750	800	850	900	950	1,000	1,050	1,100	1,150	1,200	1,250	1,300	1,350	1,400	1,450	1,500	1,550	1,600	1,650	or Grade	No.
																					<b>Nickel and Nickel Alloy (4a) (Cont'd)</b>		
																					<b>Plates and Sheets (Cont'd)</b>		
18.6	18.2	17.8	17.5	17.2	...	...	...	...	...	...	...	...	...	...	...	...	...	...	...	...	...	N08320	B620
14.7	14.7	14.6	14.5	14.3	11.0	8.0	...	...	...	...	...	...	...	...	...	...	...	...	...	...	...	N04400	B127
19.5	19.2	19.0	18.8	18.7	18.6	18.5	18.4	18.3	...	...	...	...	...	...	...	...	...	...	...	...	...	N06007	B582
20.0	20.0	20.0	20.0	20.0	20.0	20.0	20.0	19.9	17.0	13.0	9.8	6.6	4.2	2.0	1.6	1.1	1.0	0.8	...	...	...	N08800	B409
23.3	23.3	23.3	23.2	23.0	22.9	22.8	22.6	22.3	...	...	...	...	...	...	...	...	...	...	...	...	...	N08825	B424
23.3	23.3	23.3	23.2	22.7	...	...	...	...	...	...	...	...	...	...	...	...	...	...	...	...	...	N08020	B463
21.3	20.9	20.5	20.1	19.7	...	...	...	...	...	...	...	...	...	...	...	...	...	...	...	...	...	N06030	B582
22.7	22.4	22.2	22.0	21.8	21.7	20.0	19.5	18.9	...	...	...	...	...	...	...	...	...	...	...	...	...	N06007	B582
21.2	20.7	20.3	20.1	19.9	...	...	...	...	...	...	...	...	...	...	...	...	...	...	...	...	...	N06002	B435
23.3	23.3	23.3	23.3	23.3	23.3	16.0	10.6	7.0	4.5	3.0	2.2	2.0	...	...	...	...	...	...	...	...	...	N06600	B168
23.3	23.3	23.3	23.3	23.3	23.3	16.0	10.6	7.0	4.5	3.0	2.2	2.0	...	...	...	...	...	...	...	...	...	N06600	B168
23.1	22.9	22.7	20.0	14.5	8.5	4.0	...	...	...	...	...	...	...	...	...	...	...	...	...	...	...	N04400	B127
22.2	21.7	21.3	20.9	20.5	...	...	...	...	...	...	...	...	...	...	...	...	...	...	...	...	...	N08031	B625
26.7	26.7	26.5	26.1	25.8	...	...	...	...	...	...	...	...	...	...	...	...	...	...	...	...	...	N06455	B575
25.2	24.6	24.0	23.5	23.1	22.8	22.6	22.4	22.3	18.5	15.0	12.2	9.8	7.8	...	...	...	...	...	...	...	N10276	B575	
34.7	34.3	33.9	33.6	33.3	33.1	32.8	32.5	31.2	31.2	23.1	21.0	13.2	...	...	...	...	...	...	...	...	...	N06625	B443
29.6	29.1	28.7	28.4	28.2	28.2	28.2	28.2	28.2	28.2	23.2	19.0	15.6	12.9	10.6	8.5	6.7	5.3	4.1	2.9	2.1	1.5	N06230	B435
27.6	27.0	26.5	26.1	25.7	...	...	...	...	...	...	...	...	...	...	...	...	...	...	...	...	...	N06022	B575
19.7	19.4	19.2	19.0	18.8	...	...	...	...	...	...	...	...	...	...	...	...	...	...	...	...	...	N06035	B575
26.2	25.6	25.1	24.7	24.3	23.9	23.6	...	...	...	...	...	...	...	...	...	...	...	...	...	...	...	N08367	B688
26.2	25.6	25.1	24.7	24.3	23.9	23.6	...	...	...	...	...	...	...	...	...	...	...	...	...	...	...	N08367	B688
28.1	27.5	26.7	26.1	25.6	...	...	...	...	...	...	...	...	...	...	...	...	...	...	...	...	...	N06059	B575
26.9	26.2	25.7	25.4	25.2	...	...	...	...	...	...	...	...	...	...	...	...	...	...	...	...	...	N06200	B575
30.0	30.0	30.0	30.0	29.8	...	...	...	...	...	...	...	...	...	...	...	...	...	...	...	...	...	N10001	B333
33.3	33.3	33.3	33.3	33.2	...	...	...	...	...	...	...	...	...	...	...	...	...	...	...	...	...	N10001	B333
34.0	34.0	34.0	34.0	34.0	...	...	...	...	...	...	...	...	...	...	...	...	...	...	...	...	...	N10665	B333
34.0	34.0	34.0	33.9	33.5	...	...	...	...	...	...	...	...	...	...	...	...	...	...	...	...	...	N10675	B333
																					<b>Forgings and Fittings (2)</b>		
6.3	6.2	6.2	6.1	6.0	5.8	4.5	3.7	3.0	2.4	2.0	1.5	1.2	...	...	...	...	...	...	...	...	...	N02201	B160
6.3	6.2	6.2	6.1	6.0	5.8	4.5	3.7	3.0	2.4	2.0	1.5	1.2	...	...	...	...	...	...	...	...	...	N02201	B366
8.0	...	...	...	...	...	...	...	...	...	...	...	...	...	...	...	...	...	...	...	...	...	N02200	B366
8.0	...	...	...	...	...	...	...	...	...	...	...	...	...	...	...	...	...	...	...	...	...	N02200	B564

(12)

**Table A-1 Basic Allowable Stresses in Tension for Metals<sup>1</sup> (Cont'd)**

Numbers in Parentheses Refer to Notes for Appendix A Tables; Specifications Are ASTM Unless Otherwise Indicated

Nominal Composition	Product Form	Spec. No.	Type/Grade	UNS No.	Class/Condition/ Temper	Size Range, in.	P-No. (5)	Notes	Min. Temp., °F (6)	Specified Min. Strength, ksi		Min. Temp.											
										Tensile	Yield	to 100	200	300	400	500							
<b>Nickel and Nickel Alloy (4a) (Cont'd)</b>																							
<b>Forgings and Fittings (2) (Cont'd)</b>																							
Ni	...	B564	...	N02200	Annealed	All	41	(9)	-325	55	15	10.0	10.0	10.0	10.0	10.0	10.0						
Ni-Fe-Cr	...	B564	...	N08810	Annealed	...	45	(9)	-325	65	25	16.7	16.7	16.7	16.7	16.7	16.7						
Ni-Fe-Cr	...	B564	...	N08811	Annealed	...	45	(9)	-325	65	25	16.7	16.7	16.7	16.7	16.7	16.7						
Ni-Fe-Cr	...	B366	...	N08810	Annealed	...	45	(9)	-325	65	25	16.7	16.7	16.7	16.7	16.7	16.7						
Ni-Fe-Cr	...	B366	...	N08811	Annealed	...	45	(9)	-325	65	25	16.7	16.7	16.7	16.7	16.7	16.7						
Ni-Cu	...	B564	...	N04400	Annealed	...	42	(9)	-325	70	25	16.7	14.6	13.6	13.2	13.1	13.1						
Ni-Cu	...	B366	...	N04400	...	...	42	(32)(74)	-325	70	25	16.7	14.6	13.6	13.2	13.1	13.1						
Ni-Cr-Fe	...	B366	...	N06600	...	...	43	(32)(74)	-325	75	25	16.7	16.7	16.7	16.7	16.7	16.7						
Ni-Cr-Fe-Mo-W	...	B366	...	N06030	Sol. ann.	All	45	...	-325	85	35	23.3	23.3	23.3	23.2	22.1	22.1						
Ni-Cr-Fe-Mo-W	...	B462	...	N06030	Sol. ann.	All	45	...	-325	85	35	23.3	23.3	23.3	23.2	22.1	22.1						
Ni-Fe-Cr	...	B366	...	N08800	Annealed	...	45	...	-325	75	30	20.0	20.0	20.0	20.0	20.0	20.0						
Ni-Fe-Cr	...	B564	...	N08800	Annealed	...	45	(9)	-325	75	30	20.0	20.0	20.0	20.0	20.0	20.0						
Cr-Ni-Fe-Mo-Cu-Cb	...	B366	...	N08020	Annealed	...	45	...	-325	80	35	23.3	23.3	23.3	23.3	23.3	23.3						
Cr-Ni-Fe-Mo-Cu-Cb	...	B462	...	N08020	Annealed	...	45	(9)	-325	80	35	23.3	23.3	23.3	23.3	23.3	23.3						
Ni-Cr-Fe	...	B564	...	N06600	Annealed	All	43	(9)	-325	80	35	23.3	23.3	23.3	23.3	23.3	23.3						
Cr-Ni-Fe-Mo-Cu	...	B366	...	N08825	Annealed	...	45	...	-325	85	35	23.3	23.3	23.3	23.3	23.3	23.3						
Cr-Ni-Fe-Mo-Cu	...	B564	...	N08825	Annealed	...	45	...	-325	85	35	23.3	23.3	23.3	23.3	23.3	23.3						
Ni-Cr-Mo-Fe	...	B366	...	N06002	...	...	43	(32)(74)	-325	100	40	26.7	26.7	26.7	26.7	25.5	25.5						
Low C-Ni-Fe-Cr-Mo-Cu	...	B366	...	N08031	Annealed H.W.	All	45	...	-325	94	40	26.7	26.7	26.7	24.7	23.3	23.3						
Low C-Ni-Fe-Cr-Mo-Cu	...	B564	...	N08031	Annealed H.W.	All	45	...	-325	94	40	26.7	26.7	26.7	24.7	23.3	23.3						
Ni-Mo-Cr	...	B366	...	N10276	Sol. ann.	All	43	...	-325	100	41	27.3	27.3	27.3	27.3	26.9	26.9						
Ni-Mo-Cr	...	B564	...	N10276	Sol. ann.	All	43	(9)	-325	100	41	27.3	27.3	27.3	27.3	26.9	26.9						
Ni-Mo	...	B366	...	N10001	...	...	44	(32)(74)	-325	100	45	30.0	30.0	30.0	30.0	30.0	30.0						
Ni-Mo-Cr	...	B366	...	N06022	...	...	43	(32)(74)	-325	100	45	30.0	30.0	30.0	30.0	29.0	29.0						
Ni-Cr-Mo	...	B564	...	N06022	...	...	43	...	-325	100	45	30.0	30.0	30.0	30.0	29.0	29.0						
Ni-Cr-Mo	...	B366	...	N06035	Sol. ann.	All	43	(32)(74)	-325	85	35	23.3	23.3	23.3	22.2	20.6	20.6						
Ni-Cr-Mo	...	B462	...	N06035	Sol. ann.	All	43	(9)	-325	85	35	23.3	23.3	23.3	22.2	20.6	20.6						
Ni-Cr-Mo	...	B564	...	N06035	Sol. ann.	All	43	(9)	-325	85	35	23.3	23.3	23.3	22.2	20.6	20.6						
Low C-Ni-Cr-Mo	...	B366	...	N06059	H.W. sol. ann.	All	43	...	-325	100	45	30.0	30.0	30.0	30.0	29.7	29.7						
Low C-Ni-Cr-Mo	...	B564	...	N06059	H.W. sol. ann.	All	43	...	-325	100	45	30.0	30.0	30.0	30.0	29.7	29.7						
Low C-Ni-Cr-Mo	...	B366	...	N06200	Sol. ann.	All	43	...	-325	100	45	30.0	30.0	30.0	30.0	28.6	28.6						
Low C-Ni-Cr-Mo	...	B462	...	N06200	Sol. ann.	All	43	...	-325	100	45	30.0	30.0	30.0	30.0	28.6	28.6						
Low C-Ni-Cr-Mo	...	B564	...	N06200	Sol. ann.	All	43	...	-325	100	45	30.0	30.0	30.0	30.0	28.6	28.6						
Ni-Cr-Mo-Cb	...	B564	...	N06625	Annealed	≤ 4	43	(9)(64)	-325	120	60	40.0	40.0	39.6	39.2	38.6	38.6						
Ni-Mo	...	B366	...	N10665	Sol. ann.	All	44	...	-325	110	51	34.0	34.0	34.0	34.0	34.0	34.0						
Ni-Mo	...	B366	...	N10675	Sol. ann.	All	44	...	-325	110	51	34.0	34.0	34.0	34.0	34.0	34.0						
Ni-Mo	...	B462	...	N10675	Sol. ann.	All	44	...	-325	110	51	34.0	34.0	34.0	34.0	34.0	34.0						
Ni-Mo	...	B564	...	N10675	Sol. ann.	All	44	...	-325	110	51	34.0	34.0	34.0	34.0	34.0	34.0						
Ni-Cr-W-Mo	...	B564	...	N06230	Sol. ann.	All	43	...	-325	110	45	30.0	30.0	30.0	30.0	30.0	30.0						
Ni-Cr-W-Mo	...	B366	...	N06230	Sol. ann.	All	43	...	-325	110	45	30.0	30.0	30.0	30.0	30.0	30.0						

**Table A-1 Basic Allowable Stresses in Tension for Metals<sup>1</sup> (Cont'd)** (12)  
 Numbers in Parentheses Refer to Notes for Appendix A Tables; Specifications Are ASTM Unless Otherwise Indicated

Basic Allowable Stress, S, ksi (1), at Metal Temperature, °F																					UNS No.	Spec.	
600	650	700	750	800	850	900	950	1,000	1,050	1,100	1,150	1,200	1,250	1,300	1,350	1,400	1,450	1,500	1,550	1,600	1,650	or Grade	No.
																					<b>Nickel and Nickel Alloy (4a) (Cont'd)</b>		
																					<b>Forgings and Fittings (2) (Cont'd)</b>		
10.0	...	...	...	...	...	...	...	...	...	...	...	...	...	...	...	...	...	...	...	...	...	N02200	B564
16.5	16.1	15.7	15.3	15.0	14.7	14.5	14.2	14.0	13.8	11.6	9.3	7.4	5.9	4.7	3.8	3.0	2.4	1.9	1.5	1.2	1.0	N08810	B564
16.5	16.1	15.7	15.3	15.0	14.7	14.5	14.2	14.0	13.8	11.6	9.3	7.4	5.9	4.7	3.8	3.0	2.4	1.9	1.5	1.2	1.0	N08811	B564
16.5	16.1	15.7	15.3	15.0	14.7	14.5	14.2	14.0	13.8	11.6	9.3	7.4	5.9	4.7	3.8	3.0	2.4	1.9	1.5	1.2	1.0	N08810	B366
16.5	16.1	15.7	15.3	15.0	14.7	14.5	14.2	14.0	13.8	11.6	9.3	7.4	5.9	4.7	3.8	3.0	2.4	1.9	1.5	1.2	1.0	N08811	B366
13.1	13.1	13.0	12.9	12.7	11.0	8.0	...	...	...	...	...	...	...	...	...	...	...	...	...	...	...	N04400	B564
13.1	13.1	13.0	12.9	12.7	11.0	8.0	...	...	...	...	...	...	...	...	...	...	...	...	...	...	...	N04400	B366
16.7	16.7	16.7	16.7	16.7	16.5	15.9	10.6	7.0	4.5	3.0	2.2	2.0	...	...	...	...	...	...	...	...	...	N06600	B366
21.3	20.9	20.5	20.1	19.7	...	...	...	...	...	...	...	...	...	...	...	...	...	...	...	...	...	N06030	B366
21.3	20.9	20.5	20.1	19.7	...	...	...	...	...	...	...	...	...	...	...	...	...	...	...	...	...	N06030	B462
20.0	20.0	20.0	20.0	20.0	20.0	20.0	20.0	19.9	17.0	13.0	9.8	6.6	4.2	2.0	1.6	1.1	1.0	0.8	...	...	...	N08800	B366
20.0	20.0	20.0	20.0	20.0	20.0	20.0	20.0	19.9	17.0	13.0	9.8	6.6	4.2	2.0	1.6	1.1	1.0	0.8	...	...	...	N08800	B564
23.3	23.3	23.3	23.2	22.7	...	...	...	...	...	...	...	...	...	...	...	...	...	...	...	...	...	N08020	B366
23.3	23.3	23.3	23.2	22.7	...	...	...	...	...	...	...	...	...	...	...	...	...	...	...	...	...	N08020	B462
23.3	23.3	23.3	23.3	23.3	23.3	16.0	10.6	7.0	4.5	3.0	2.2	2.0	...	...	...	...	...	...	...	...	...	N06600	B564
23.3	23.3	23.3	23.2	23.0	22.9	22.8	22.6	22.3	...	...	...	...	...	...	...	...	...	...	...	...	...	N08825	B366
23.3	23.3	23.3	23.2	23.0	22.9	22.8	22.6	22.3	...	...	...	...	...	...	...	...	...	...	...	...	...	N08825	B564
24.2	23.7	23.3	22.9	22.7	22.5	19.6	19.5	19.3	19.3	17.5	14.1	11.3	9.3	7.7	6.1	4.8	3.8	3.0	...	...	...	N06002	B366
22.2	21.7	21.3	20.9	20.5	...	...	...	...	...	...	...	...	...	...	...	...	...	...	...	...	...	N08031	B366
22.2	21.7	21.3	20.9	20.5	...	...	...	...	...	...	...	...	...	...	...	...	...	...	...	...	...	N08031	B564
25.2	24.6	24.0	23.5	23.1	22.8	22.6	22.4	22.3	18.5	15.0	12.2	9.8	7.8	...	...	...	...	...	...	...	...	N10276	B366
25.2	24.6	24.0	23.5	23.1	22.8	22.6	22.4	22.3	18.5	15.0	12.2	9.8	7.8	...	...	...	...	...	...	...	...	N10276	B564
30.0	30.0	30.0	30.0	29.9	...	...	...	...	...	...	...	...	...	...	...	...	...	...	...	...	...	N10001	B366
27.6	27.0	26.5	26.1	25.7	...	...	...	...	...	...	...	...	...	...	...	...	...	...	...	...	...	N06022	B366
27.6	27.0	26.5	26.1	25.7	...	...	...	...	...	...	...	...	...	...	...	...	...	...	...	...	...	N06022	B564
19.7	19.4	19.2	19.0	18.8	...	...	...	...	...	...	...	...	...	...	...	...	...	...	...	...	...	N06035	B366
19.7	19.4	19.2	19.0	18.8	...	...	...	...	...	...	...	...	...	...	...	...	...	...	...	...	...	N06035	B462
19.7	19.4	19.2	19.0	18.8	...	...	...	...	...	...	...	...	...	...	...	...	...	...	...	...	...	N06035	B564
28.2	27.5	26.8	26.1	25.5	...	...	...	...	...	...	...	...	...	...	...	...	...	...	...	...	...	N06059	B366
28.2	27.5	26.8	26.1	25.5	...	...	...	...	...	...	...	...	...	...	...	...	...	...	...	...	...	N06059	B564
26.9	26.2	25.7	25.4	25.2	...	...	...	...	...	...	...	...	...	...	...	...	...	...	...	...	...	N06200	B366
26.9	26.2	25.7	25.4	25.2	...	...	...	...	...	...	...	...	...	...	...	...	...	...	...	...	...	N06200	B462
26.9	26.2	25.7	25.4	25.2	...	...	...	...	...	...	...	...	...	...	...	...	...	...	...	...	...	N06200	B564
37.8	37.4	37.0	36.6	36.3	36.1	35.8	35.4	31.2	31.2	23.1	21.0	13.2	...	...	...	...	...	...	...	...	...	N06625	B564
34.0	34.0	34.0	34.0	34.0	...	...	...	...	...	...	...	...	...	...	...	...	...	...	...	...	...	N10665	B366
34.0	34.0	34.0	33.9	33.5	...	...	...	...	...	...	...	...	...	...	...	...	...	...	...	...	...	N10675	B366
34.0	34.0	34.0	33.9	33.5	...	...	...	...	...	...	...	...	...	...	...	...	...	...	...	...	...	N10675	B462
34.0	34.0	34.0	33.9	33.5	...	...	...	...	...	...	...	...	...	...	...	...	...	...	...	...	...	N10675	B564
29.6	29.1	28.7	28.4	28.2	28.2	28.2	28.2	28.2	28.2	23.2	19.0	15.6	12.9	10.6	8.5	6.7	5.3	4.1	2.9	2.1	1.5	N06230	B564
29.6	29.1	28.7	28.4	28.2	28.2	28.2	28.2	28.2	28.2	23.2	19.0	15.6	12.9	10.6	8.5	6.7	5.3	4.1	2.9	2.1	1.5	N06230	B366

(12)

**Table A-1 Basic Allowable Stresses in Tension for Metals<sup>1</sup> (Cont'd)**

Numbers in Parentheses Refer to Notes for Appendix A Tables; Specifications Are ASTM Unless Otherwise Indicated

Nominal Composition	Product Form	Spec. No.	Type/Grade	UNS No.	Class/Condition/ Temper	Size Range, in.	P-No. (5)	Notes	Min. Temp., °F (6)	Specified Min. Strength, ksi		Min. Temp.								
										Tensile	Yield	to 100	200	300	400	500				
<b>Nickel and Nickel Alloy (4a) (Cont'd)</b>																				
<b>Rod and Bar</b>																				
Ni	...	B160	...	N02200	H.W.	All	41	(9)	-325	60	15	10.0	10.0	10.0	10.0	10.0				
Ni	...	B160	...	N02200	Annealed	All	41	(9)	-325	55	15	10.0	10.0	10.0	10.0	10.0				
Ni-Cu	...	B164	...	N04400	Ann. forg.	All	42	(13)	-325	70	25	16.7	14.6	13.6	13.2	13.1				
Ni-Fe-Cr	Bar	B408	...	N08810	Sol. tr. or ann.	...	45	...	-325	65	25	16.7	16.7	16.7	16.7	16.7				
Ni-Fe-Cr	Bar	B408	...	N08811	Sol. tr. or ann.	...	45	...	-325	65	25	16.7	16.7	16.7	16.7	16.7				
Ni-Fe-Cr	Bar	B408	...	N08800	H.F.	...	45	...	-325	75	30	20.0	20.0	20.0	20.0	20.0				
Ni-Fe-Cr-Mo	...	B621	...	N08320	Sol. ann.	All	45	...	-325	75	28	18.7	18.7	18.7	18.7	18.7				
Ni-Cr-Fe-Mo-Cu	...	B581	...	N06007	Sol. ann.	> 3/4	45	...	-325	85	30	20.0	20.0	20.0	20.0	20.0				
Ni-Fe-Cr-Mo-Cu	...	B425	...	N08825	Annealed	...	45	...	-325	85	35	23.3	23.3	23.3	23.3	23.3				
Ni-Cr-Fe-Mo-Cu	...	B581	...	N06007	Sol. ann.	≤ 3/4	45	...	-325	90	35	23.3	23.3	23.3	23.3	23.3				
Ni-Cr-Fe-Mo-W	...	B581	...	N06030	Sol. ann.	All	45	...	-325	85	35	23.3	23.3	23.3	23.2	22.1				
Low C-Ni-Fe-Cr-Mo-Cu	...	B649	...	N08031	Annealed	All	45	...	-325	94	40	26.7	26.7	26.7	24.7	23.3				
Ni-Cu	...	B164	...	N04400	H.W.	All except hex. > 2 1/8	42	...	-325	80	40	26.7	25.8	24.8	23.9	23.4				
Ni-Cr-Mo	...	B574	...	N06035	Sol. ann.	All	43	(9)	-325	85	35	23.3	23.3	23.3	22.2	20.6				
Ni-Mo-Cr	...	B574	...	N06455	Sol. ann.	All	43	(9)	-325	100	40	26.7	26.7	26.7	26.7	26.7				
Ni-Mo-Cr	...	B574	...	N10276	Sol. ann.	All	43	...	-325	100	41	27.3	27.3	27.3	27.3	26.9				
Ni-Cr-Mo-Cb	...	B446	...	N06625	Annealed	> 4 to 10	43	(9)(64) (70)	-325	110	50	33.3	33.3	33.3	33.3	33.3				
Ni-Cr-Mo-Cb	...	B446	...	N06625	Annealed	≤ 4	43	(9)(64) (70)	-325	120	60	40.0	40.0	40.0	40.0	38.3				
Ni-Cr-W-Mo	...	B572	...	N06230	Sol. ann.	All	43	...	-325	110	45	30.0	30.0	30.0	30.0	30.0				
Low C-Ni-Cr-Mo	...	B574	...	N06059	Sol. ann.	All	43	...	-325	100	45	30.0	30.0	30.0	30.0	29.7				
Low C-Ni-Cr-Mo	...	B574	...	N06200	Sol. ann.	All	43	...	-325	100	45	30.0	30.0	30.0	30.0	28.6				
Ni-Mo	...	B335	...	N10675	Sol. ann.	All	44	...	-325	110	51	34.0	34.0	34.0	34.0	34.0				
<b>Castings (2)</b>																				
Ni-Mo-Cr	...	A494	CW-12MW	...	...	...	...	(9)(46)	-325	72	40	24.0	24.0	24.0	24.0	24.0				
Ni-Mo-Cr	...	A494	CW-6M	...	...	...	...	(9)	-325	72	40	24.0	24.0	24.0	24.0	24.0				
Ni-Cr-Mo	...	A494	CX-2MW	...	Sol. ann.	...	43	(9)	-325	80	45	26.7	26.7	26.7	26.7	26.7				



**Table A-1 Basic Allowable Stresses in Tension for Metals<sup>1</sup> (Cont'd)** (12)  
 Numbers in Parentheses Refer to Notes for Appendix A Tables; Specifications Are ASTM Unless Otherwise Indicated

Basic Allowable Stress, S, ksi (1), at Metal Temperature, °F																							UNS No.	Spec.
600	650	700	750	800	850	900	950	1,000	1,050	1,100	1,150	1,200	1,250	1,300	1,350	1,400	1,450	1,500	1,550	1,600	1,650	or Grade	No.	
																							<b>Nickel and Nickel Alloy (4a) (Cont'd)</b>	
																							<b>Rod and Bar</b>	
10.0	...	...	...	...	...	...	...	...	...	...	...	...	...	...	...	...	...	...	...	...	...	...	N02200	B160
10.0	...	...	...	...	...	...	...	...	...	...	...	...	...	...	...	...	...	...	...	...	...	...	N02200	B160
13.1	13.1	13.0	12.9	12.7	11.0	8.0	...	...	...	...	...	...	...	...	...	...	...	...	...	...	...	...	N04400	B164
16.5	16.1	15.7	15.3	15.0	14.7	14.5	14.2	14.0	13.7	12.9	10.4	8.3	6.7	5.4	4.3	3.4	2.7	2.2	1.7	1.4	1.1	N08810	B408	
16.5	16.1	15.7	15.3	15.0	14.7	14.5	14.2	14.0	13.7	12.9	10.4	8.3	6.7	5.4	4.3	3.4	2.7	2.2	1.7	1.4	1.1	N08811	B408	
20.0	20.0	20.0	20.0	20.0	20.0	20.0	20.0	19.9	17.0	13.0	9.8	6.6	4.2	2.0	1.6	1.1	1.0	0.8	...	...	...	N08800	B408	
18.6	18.2	17.8	17.5	17.2	...	...	...	...	...	...	...	...	...	...	...	...	...	...	...	...	...	...	N08320	B621
19.5	19.2	19.0	18.8	18.7	18.6	18.5	18.4	18.3	...	...	...	...	...	...	...	...	...	...	...	...	...	...	N06007	B581
23.3	23.3	23.3	23.2	23.0	22.9	22.8	22.6	22.3	...	...	...	...	...	...	...	...	...	...	...	...	...	...	N08825	B425
22.7	22.4	22.2	22.0	21.8	21.7	20.0	19.5	18.9	...	...	...	...	...	...	...	...	...	...	...	...	...	...	N06007	B581
21.3	20.9	20.5	20.1	19.7	...	...	...	...	...	...	...	...	...	...	...	...	...	...	...	...	...	...	N06030	B581
22.2	21.7	21.3	20.9	20.5	...	...	...	...	...	...	...	...	...	...	...	...	...	...	...	...	...	...	N08031	B649
23.1	22.9	22.7	20.0	14.5	8.5	4.0	1.9	...	...	...	...	...	...	...	...	...	...	...	...	...	...	...	N04400	B164
19.7	19.4	19.2	19.0	18.8	...	...	...	...	...	...	...	...	...	...	...	...	...	...	...	...	...	...	N06035	B574
26.7	26.7	26.5	26.1	25.8	...	...	...	...	...	...	...	...	...	...	...	...	...	...	...	...	...	...	N06455	B574
25.2	24.6	24.0	23.5	23.1	22.8	22.6	22.4	22.3	18.5	15.0	12.2	9.8	7.8	...	...	...	...	...	...	...	...	...	N10276	B574
33.3	33.3	33.3	33.3	33.3	33.1	32.8	32.5	31.2	31.2	23.1	21.0	13.2	...	...	...	...	...	...	...	...	...	...	N06625	B446
38.0	37.7	37.4	37.4	37.4	37.4	37.4	37.4	37.4	37.4	37.4	27.7	21.0	13.2	...	...	...	...	...	...	...	...	...	N06625	B446
29.6	29.1	28.7	28.4	28.2	28.2	28.2	28.2	28.2	28.2	23.2	19.0	15.6	12.9	10.6	8.5	6.7	5.3	4.1	2.9	2.1	1.5	N06230	B572	
28.2	27.5	26.8	26.1	25.5	...	...	...	...	...	...	...	...	...	...	...	...	...	...	...	...	...	...	N06059	B574
26.9	26.2	25.7	25.4	25.2	...	...	...	...	...	...	...	...	...	...	...	...	...	...	...	...	...	...	N06200	B574
34.0	34.0	34.0	33.9	33.5	...	...	...	...	...	...	...	...	...	...	...	...	...	...	...	...	...	...	N10675	B335
																							<b>Castings (2)</b>	
24.0	24.0	24.0	24.0	24.0	24.0	24.0	24.0	22.8	...	...	...	...	...	...	...	...	...	...	...	...	...	...	CW-12MW	A494
24.0	24.0	24.0	24.0	24.0	24.0	24.0	24.0	22.8	...	...	...	...	...	...	...	...	...	...	...	...	...	...	CW-6M	A494
...	...	...	...	...	...	...	...	...	...	...	...	...	...	...	...	...	...	...	...	...	...	...	CX-2MW	A494

(12) **Table A-1 Basic Allowable Stresses in Tension for Metals<sup>1</sup> (Cont'd)**

Numbers in Parentheses Refer to Notes for Appendix A Tables; Specifications Are ASTM Unless Otherwise Indicated

Nominal Composition	Spec. No.	Type/Grade	UNS No.	P-No. (5)	Notes	Min. Temp., °F (6)	Specified Min. Strength, ksi		Basic Allowable Stress, S, ksi (1) at Metal Temperature, °F		
							Tensile	Yield	Min. Temp. to 100	150	200
<b>Titanium and Titanium Alloy</b>											
<b>Pipes and Tubes (2)</b>											
Ti	B861	1	R50250	51	...	-75	35	20	11.7	10.7	9.3
Ti	B862	1	R50250	51	...	-75	35	20	11.7	10.7	9.3
Ti	B861	2	R50400	51	...	-75	50	40	16.7	16.0	14.5
Ti	B862	2	R50400	51	...	-75	50	40	16.7	16.0	14.5
Ti-0.2Pd	B861	7	R52400	51	...	-75	50	40	16.7	16.0	14.5
Ti-0.2Pd	B862	7	R52400	51	...	-75	50	40	16.7	16.0	14.5
Ti	B861	3	R50550	52	...	-75	65	55	21.7	20.4	18.4
Ti	B862	3	R50550	52	...	-75	65	55	21.7	20.4	18.4
<b>Plates and Sheets</b>											
Ti	B265	1	R50250	51	...	-75	35	25	11.7	10.9	9.6
Ti	B265	2	R50400	51	...	-75	50	40	16.7	16.0	14.5
Ti	B265	3	R50550	52	...	-75	65	55	21.7	20.4	18.4
<b>Forgings</b>											
Ti	B381	F1	R50250	51	...	-75	35	25	11.7	10.9	9.6
Ti	B381	F2	R50400	51	...	-75	50	40	16.7	16.0	14.5
Ti	B381	F3	R50550	52	...	-75	65	55	21.7	20.4	18.4
<b>Zirconium and Zirconium Alloy</b>											
<b>Pipes and Tubes (2)</b>											
Zr	B523	...	R60702	61	...	-75	55	30	18.3	17.2	15.4
Zr	B658	...	R60702	61	...	-75	55	30	18.3	17.2	15.4
Zr + Cb	B523	...	R60705	62	(73)	-75	80	55	26.7	24.4	22.1
Zr + Cb	B658	...	R60705	62	(73)	-75	80	55	26.7	24.4	22.1
<b>Plates and Sheets</b>											
Zr	B551	...	R60702	61	...	-75	55	30	18.3	17.2	15.4
Zr + Cb	B551	...	R60705	62	(73)	-75	80	55	26.7	24.4	22.1
<b>Forgings and Bar</b>											
Zr	B493	...	R60702	61	...	-75	55	30	18.3	17.2	15.4
Zr	B550	...	R60702	61	...	-75	55	30	18.3	17.2	15.4
Zr + Cb	B493	...	R60705	62	(73)	-75	70	55	26.7	24.4	22.1
Zr + Cb	B550	...	R60705	62	(73)	-75	80	55	26.7	24.4	22.1

**Table A-1 Basic Allowable Stresses in Tension for Metals<sup>1</sup> (Cont'd)** (12)  
 Numbers in Parentheses Refer to Notes for Appendix A Tables; Specifications Are ASTM Unless Otherwise Indicated

Basic Allowable Stress, <i>S</i> , ksi (1), at Metal Temperature, °F										UNS No.	Spec. No.
250	300	350	400	450	500	550	600	650	700		
<b>Titanium and Titanium Alloy Pipes and Tubes (2)</b>											
8.2	7.2	6.3	5.5	4.8	4.2	3.8	3.5	...	...	R50250	B861
8.2	7.2	6.3	5.5	4.8	4.2	3.8	3.5	...	...	R50250	B862
13.2	12.1	11.1	10.3	9.6	8.9	8.2	7.6	...	...	R50400	B861
13.2	12.1	11.1	10.3	9.6	8.9	8.2	7.6	...	...	R50400	B862
13.2	12.1	11.1	10.3	9.6	8.9	8.2	7.6	...	...	R52400	B861
13.2	12.1	11.1	10.3	9.6	8.9	8.2	7.6	...	...	R52400	B862
16.6	14.9	13.4	12.1	10.9	9.9	9.2	8.6	...	...	R50550	B861
16.6	14.9	13.4	12.1	10.9	9.9	9.2	8.6	...	...	R50550	B862
<b>Plates and Sheets</b>											
8.6	7.7	7.0	6.4	5.9	5.2	4.7	4.2	...	...	R50250	B265
13.2	12.1	11.1	10.3	9.6	8.9	8.2	7.6	...	...	R50400	B265
16.6	14.9	13.4	12.1	10.9	9.9	9.2	8.6	...	...	R50550	B265
<b>Forgings</b>											
8.6	7.7	7.0	6.4	5.9	5.2	4.7	4.2	...	...	R50250	B381
13.2	12.1	11.1	10.3	9.6	8.9	8.2	7.6	...	...	R50400	B381
16.6	14.9	13.4	12.1	10.9	9.9	9.2	8.6	...	...	R50550	B381
<b>Zirconium and Zirconium Alloy Pipes and Tubes (2)</b>											
13.6	12.0	10.6	9.3	8.3	7.4	6.6	6.0	5.6	5.2	R60702	B523
13.6	12.0	10.6	9.3	8.3	7.4	6.6	6.0	5.6	5.2	R60702	B658
20.4	18.9	17.7	16.7	15.8	15.0	14.4	13.9	13.5	13.2	R60705	B523
20.4	18.9	17.7	16.7	15.8	15.0	14.4	13.9	13.5	13.2	R60705	B658
<b>Plates and Sheets</b>											
13.6	12.0	10.6	9.3	8.3	7.4	6.6	6.0	5.6	5.2	R60702	B551
20.4	18.9	17.7	16.7	15.8	15.0	14.4	13.9	13.5	13.2	R60705	B551
<b>Forgings and Bar</b>											
13.6	12.0	10.6	9.3	8.3	7.4	6.6	6.0	5.6	5.2	R60702	B493
13.6	12.0	10.6	9.3	8.3	7.4	6.6	6.0	5.6	5.2	R60702	B550
20.4	18.9	17.7	16.7	15.8	15.0	14.4	13.9	13.5	13.2	R60705	B493
20.4	18.9	17.7	16.7	15.8	15.0	14.4	13.9	13.5	13.2	R60705	B550

(12) **Table A-1 Basic Allowable Stresses in Tension for Metals<sup>1</sup> (Cont'd)**

Numbers in Parentheses Refer to Notes for Appendix A Tables; Specifications Are ASTM Unless Otherwise Indicated

Spec. No.	Type/Grade	UNS No.	Class/ Condition/ Temper	Size or Thickness Range, in.	P-No. (5)	Notes	Min. Temp., °F (6)	Specified Min. Strength, ksi		Basic Allowable Stress, S, ksi (1), at Metal Temperature, °F									
								Tensile	Yield	Min. Temp. to 100	150	200	250	300	350	400			
<b>Aluminum Alloy</b>																			
<b>Seamless Pipes and Tubes</b>																			
B210	1060	A91060	O	...	21	(14)(33)	-452	8.5	2.5	1.7	1.7	1.6	1.4	1.2	1.1	0.8			
B210	1060	A91060	H112	...	21	(14)(33)	-452	8.5	2.5	1.7	1.7	1.6	1.4	1.2	1.1	0.8			
B210	1060	A91060	H113	...	21	(14)(33)	-452	8.5	2.5	1.7	1.7	1.6	1.4	1.2	1.1	0.8			
B241	1060	A91060	O	...	21	(14)(33)	-452	8.5	2.5	1.7	1.7	1.6	1.4	1.2	1.1	0.8			
B241	1060	A91060	H112	...	21	(14)(33)	-452	8.5	2.5	1.7	1.7	1.6	1.4	1.2	1.1	0.8			
B241	1060	A91060	H113	...	21	(14)(33)	-452	8.5	2.5	1.7	1.7	1.6	1.4	1.2	1.1	0.8			
B345	1060	A91060	O	...	21	(14)(33)	-452	8.5	2.5	1.7	1.7	1.6	1.4	1.2	1.1	0.8			
B345	1060	A91060	H112	...	21	(14)(33)	-452	8.5	2.5	1.7	1.7	1.6	1.4	1.2	1.1	0.8			
B345	1060	A91060	H113	...	21	(14)(33)	-452	8.5	2.5	1.7	1.7	1.6	1.4	1.2	1.1	0.8			
B210	1060	A91060	H14	...	21	(14)(33)	-452	12	10	4.0	4.0	4.0	4.0	2.7	1.8	1.1			
B241	1100	A91100	O	...	21	(14)(33)	-452	11	3	2.0	2.0	2.0	1.9	1.7	1.3	1.0			
B241	1100	A91100	H112	...	21	(14)(33)	-452	11	3	2.0	2.0	2.0	1.9	1.7	1.3	1.0			
B210	1100	A91100	H113	...	21	(14)(33)	-452	11	3.5	2.3	2.3	2.3	2.3	1.7	1.3	1.0			
B210	1100	A91100	H14	...	21	(14)(33)	-452	16	14	5.3	5.3	5.3	4.9	2.8	1.9	1.1			
B210	3003	A93003	O	...	21	(14)(33)	-452	14	5	3.3	3.2	3.1	3.0	2.7	1.9	1.5			
B210	3003	A93003	H112	...	21	(14)(33)	-452	14	5	3.3	3.2	3.1	3.0	2.7	1.9	1.5			
B241	3003	A93003	O	...	21	(14)(33)	-452	14	5	3.3	3.2	3.1	3.0	2.7	1.9	1.5			
B241	3003	A93003	H112	...	21	(14)(33)	-452	14	5	3.3	3.2	3.1	3.0	2.7	1.9	1.5			
B345	3003	A93003	O	...	21	(14)(33)	-452	14	5	3.3	3.2	3.1	3.0	2.7	1.9	1.5			
B345	3003	A93003	H112	...	21	(14)(33)	-452	14	5	3.3	3.2	3.1	3.0	2.7	1.9	1.5			
B491	3003	A93003	O	...	21	(14)(33)	-452	14	5	3.3	3.2	3.1	3.0	2.7	1.9	1.5			
B491	3003	A93003	H112	...	21	(14)(33)	-452	14	5	3.3	3.2	3.1	3.0	2.7	1.9	1.5			
B210	3003	A93003	H14	...	21	(14)(33)	-452	20	17	6.7	6.7	6.5	4.8	4.3	3.0	2.3			
B210	3003	A93003	H18	...	21	(14)(33)	-452	27	24	9.0	9.0	8.7	8.0	5.3	3.5	2.5			
B241	3003	A93003	H18	...	21	(14)(33)	-452	27	24	9.0	9.0	8.7	8.0	5.3	3.5	2.5			
B345	3003	A93003	H18	...	21	(14)(33)	-452	27	24	9.0	9.0	8.7	8.0	5.3	3.5	2.5			
B210	Alclad 3003	A83003	O	...	21	(14)(33)	-452	13	4.5	3.0	2.9	2.8	2.7	2.5	1.9	1.5			
B210	Alclad 3003	A83003	H112	...	21	(14)(33)	-452	13	4.5	3.0	2.9	2.8	2.7	2.5	1.9	1.5			
B241	Alclad 3003	A83003	O	...	21	(14)(33)	-452	13	4.5	3.0	2.9	2.8	2.7	2.5	1.9	1.5			
B241	Alclad 3003	A83003	H112	...	21	(14)(33)	-452	13	4.5	3.0	2.9	2.8	2.7	2.5	1.9	1.5			
B345	Alclad 3003	A83003	O	...	21	(14)(33)	-452	13	4.5	3.0	2.9	2.8	2.7	2.5	1.9	1.5			
B345	Alclad 3003	A83003	H112	...	21	(14)(33)	-452	13	4.5	3.0	2.9	2.8	2.7	2.5	1.9	1.5			
B210	Alclad 3003	A83003	H14	...	21	(14)(33)	-452	19	16	6.3	6.3	6.3	6.1	4.3	3.0	2.3			
B210	Alclad 3003	A83003	H18	...	21	(14)(33)	-452	26	23	8.7	8.7	8.7	8.4	4.3	3.0	2.3			
B210	5052	A95052	O	...	22	(14)	-452	25	10	6.7	6.7	6.7	6.6	6.1	4.1	2.3			
B241	5052	A95052	O	...	22	(14)	-452	25	10	6.7	6.7	6.7	6.6	6.1	4.1	2.3			
B210	5052	A95052	H32	...	22	(14)(33)	-452	31	23	10.3	10.3	10.3	10.3	6.1	4.1	2.3			
B210	5052	A95052	H34	...	22	(14)(33)	-452	34	26	11.3	11.3	11.3	11.3	6.1	4.1	2.3			
B241	5083	A95083	O	...	25	(33)	-452	39	16	10.7	10.7	...	...	...	...	...			
B241	5083	A95083	H112	...	25	(33)	-452	39	16	10.7	10.7	...	...	...	...	...			
B210	5083	A95083	O	...	25	(33)	-452	39	16	10.7	10.7	...	...	...	...	...			
B210	5083	A95083	H112	...	25	(33)	-452	39	16	10.7	10.7	...	...	...	...	...			
B345	5083	A95083	O	...	25	(33)	-452	39	16	10.7	10.7	...	...	...	...	...			
B345	5083	A95083	H112	...	25	(33)	-452	39	16	10.7	10.7	...	...	...	...	...			

**Table A-1 Basic Allowable Stresses in Tension for Metals<sup>1</sup> (Cont'd)** (12)  
 Numbers in Parentheses Refer to Notes for Appendix A Tables; Specifications Are ASTM Unless Otherwise Indicated

Spec. No.	Type/Grade	UNS No.	Class/ Condition/ Temper	Size or Thickness Range, in.	P-No. (5)	Notes	Min. Temp., °F (6)	Specified Min. Strength, ksi		Basic Allowable Stress, S, ksi (1), at Metal Temperature, °F										
										Tensile	Yield	Min. Temp. to 100	150	200	250	300	350	400		
<b>Aluminum Alloy (Cont'd)</b>																				
<b>Seamless Pipes and Tubes (Cont'd)</b>																				
B241	5086	A95086	O	...	25	(33)	-452	35	14	9.3	9.3	...	...	...	...	...	...	...	...	
B241	5086	A95086	H112	...	25	(33)	-452	35	14	9.3	9.3	...	...	...	...	...	...	...	...	
B210	5086	A95086	O	...	25	(33)	-452	35	14	9.3	9.3	...	...	...	...	...	...	...	...	
B210	5086	A95086	H112	...	25	(33)	-452	35	14	9.3	9.3	...	...	...	...	...	...	...	...	
B345	5086	A95086	O	...	25	(33)	-452	35	14	9.3	9.3	...	...	...	...	...	...	...	...	
B345	5086	A95086	H112	...	25	(33)	-452	35	14	9.3	9.3	...	...	...	...	...	...	...	...	
B210	5086	A95086	H32	...	25	(33)	-452	40	28	13.3	13.3	...	...	...	...	...	...	...	...	
B210	5086	A95086	H34	...	25	(33)	-452	44	34	14.7	14.7	...	...	...	...	...	...	...	...	
B210	5154	A95154	O	...	22	...	-452	30	11	7.3	7.3	...	...	...	...	...	...	...	...	
B210	5154	A95154	H34	...	22	(33)	-452	39	29	13.3	13.0	...	...	...	...	...	...	...	...	
B241	5454	A95454	O	...	22	(33)	-452	31	12	8.0	8.0	8.0	7.4	5.5	4.1	3.0				
B241	5454	A95454	H112	...	22	(33)	-452	31	12	8.0	8.0	8.0	7.4	5.5	4.1	3.0				
B210	5456	A95456	O	...	25	(33)	-452	41	19	12.7	12.7	...	...	...	...	...	...	...	...	
B210	5456	A95456	H112	...	25	(33)	-452	41	19	12.7	12.7	...	...	...	...	...	...	...	...	
B241	5456	A95456	O	...	25	(33)	-452	41	19	12.7	12.7	...	...	...	...	...	...	...	...	
B241	5456	A95456	H112	...	25	(33)	-452	41	19	12.7	12.7	...	...	...	...	...	...	...	...	
B210	6061	A96061	T4	...	23	(33)	-452	30	16	10.0	10.0	10.0	9.9	9.5	8.4	5.2				
B241	6061	A96061	T4	...	23	(33)(63)	-452	26	16	8.7	8.7	8.7	8.7	8.3	7.4	5.2				
B345	6061	A96061	T4	...	23	(33)(63)	-452	26	16	8.7	8.7	8.7	8.7	8.3	7.4	5.2				
B210	6061	A96061	T6	...	23	(33)	-452	42	35	14.0	14.0	14.0	13.6	11.7	8.9	5.2				
B241	6061	A96061	T6	...	23	(33)(63)	-452	38	35	12.7	12.7	12.7	12.3	10.5	8.1	5.2				
B345	6061	A96061	T6	...	23	(33)(63)	-452	38	35	12.7	12.7	12.7	12.3	10.5	8.1	5.2				
B210	6061	A96061	T4 wld.	...	23	(22)(63)	-452	24	...	8.0	8.0	8.0	8.0	7.7	6.9	5.1				
B210	6061	A96061	T6 wld.	...	23	(22)(63)	-452	24	...	8.0	8.0	8.0	8.0	7.7	6.9	5.1				
B241	6061	A96061	T4 wld.	...	23	(22)(63)	-452	24	...	8.0	8.0	8.0	8.0	7.7	6.9	5.1				
B241	6061	A96061	T6 wld.	...	23	(22)(63)	-452	24	...	8.0	8.0	8.0	8.0	7.7	6.9	5.1				
B345	6061	A96061	T4 wld.	...	23	(22)(63)	-452	24	...	8.0	8.0	8.0	8.0	7.7	6.9	5.1				
B345	6061	A96061	T6 wld.	...	23	(22)(63)	-452	24	...	8.0	8.0	8.0	8.0	7.7	6.9	5.1				
B210	6063	A96063	T4	...	23	(33)	-452	22	10	6.7	6.5	6.5	6.3	6.3	4.5	1.7				
B241	6063	A96063	T4	≤ 0.500	23	(33)	-452	19	10	6.3	6.3	6.3	6.3	5.8	3.9	1.5				
B345	6063	A96063	T4	≤ 0.500	23	(33)	-452	19	10	6.3	6.3	6.3	6.3	5.8	3.9	1.5				
B241	6063	A96063	T5	≤ 0.500	23	(33)	-452	22	16	7.3	7.3	7.3	7.3	7.1	3.8	2.0				
B345	6063	A96063	T5	≤ 0.500	23	(33)	-452	22	16	7.3	7.3	7.3	7.3	7.1	3.8	2.0				
B210	6063	A96063	T6	...	23	(33)	-452	33	28	11.0	11.0	11.0	9.6	7.3	3.8	2.0				
B241	6063	A96063	T6	...	23	(33)	-452	30	25	10.0	10.0	10.0	9.1	7.2	3.4	2.0				
B345	6063	A96063	T6	...	23	(33)	-452	30	25	10.0	10.0	10.0	9.1	7.2	3.4	2.0				

(12) **Table A-1 Basic Allowable Stresses in Tension for Metals<sup>1</sup> (Cont'd)**

Numbers in Parentheses Refer to Notes for Appendix A Tables; Specifications Are ASTM Unless Otherwise Indicated

Spec. No.	Type/Grade	UNS No.	Class/Condition/ Temper	Size or Thickness Range, in.	P-No. (5)	Notes	Min. Temp., °F (6)	Specified Min. Strength, ksi		Basic Allowable Stress, S, ksi (1), at Metal Temperature, °F									
										Tensile	Yield	Min. Temp. to	100	150	200	250	300	350	400
<b>Aluminum Alloy (Cont'd)</b>																			
<b>Seamless Pipes and Tubes (Cont'd)</b>																			
B210	6063	A96063	T4 wld.	...	23	...	-452	17	...	5.7	5.7	5.6	5.3	4.8	3.8	2.0			
B210	6063	A96063	T5 wld.	...	23	...	-452	17	...	5.7	5.7	5.6	5.3	4.8	3.8	2.0			
B210	6063	A96063	T6 wld.	...	23	...	-452	17	...	5.7	5.7	5.6	5.3	4.8	3.8	2.0			
B241	6063	A96063	T4 wld.	...	23	...	-452	17	...	5.7	5.7	5.6	5.3	4.8	3.8	2.0			
B241	6063	A96063	T5 wld.	...	23	...	-452	17	...	5.7	5.7	5.6	5.3	4.8	3.8	2.0			
B241	6063	A96063	T6 wld.	...	23	...	-452	17	...	5.7	5.7	5.6	5.3	4.8	3.8	2.0			
B345	6063	A96063	T4 wld.	...	23	...	-452	17	...	5.7	5.7	5.6	5.3	4.8	3.8	2.0			
B345	6063	A96063	T5 wld.	...	23	...	-452	17	...	5.7	5.7	5.6	5.3	4.8	3.8	2.0			
B345	6063	A96063	T6 wld.	...	23	...	-452	17	...	5.7	5.7	5.6	5.3	4.8	3.8	2.0			
<b>Welded Pipes and Tubes</b>																			
B547	5083	A95083	0	...	25	...	-452	40	18	12.0	12.0	...	...	...	...	...			
<b>Structural Tubes</b>																			
B221	1060	A91060	0	...	21	(33)(69)	-452	8.5	2.5	1.7	1.7	1.6	1.4	1.2	1.1	0.8			
B221	1060	A91060	H112	...	21	(33)(69)	-452	8.5	2.5	1.7	1.7	1.6	1.4	1.2	1.1	0.8			
B221	1100	A91100	0	...	21	(33)(69)	-452	11	3	2.0	2.0	2.0	1.9	1.7	1.3	1.0			
B221	1100	A91100	H112	...	21	(33)(69)	-452	11	3	2.0	2.0	2.0	1.9	1.7	1.3	1.0			
B221	3003	A93003	0	...	21	(33)(69)	-452	14	5	3.3	3.2	3.1	3.0	2.7	1.9	1.5			
B221	3003	A93003	H112	...	21	(33)(69)	-452	14	5	3.3	3.2	3.1	3.0	2.7	1.9	1.5			
B221	Alclad 3003	A83003	0	...	21	(33)(69)	-452	13	4.5	3.0	2.9	2.8	2.7	2.5	1.9	1.5			
B221	Alclad 3003	A83003	H112	...	21	(33)(69)	-452	13	4.5	3.0	2.9	2.8	2.7	2.5	1.9	1.5			
B221	5052	A95052	0	...	22	(69)	-452	25	10	6.7	6.7	6.7	6.6	6.1	4.1	2.3			
B221	5083	A95083	0	...	25	(69)	-452	39	16	10.7	10.7	...	...	...	...	...			
B221	5086	A95086	0	...	25	(69)	-452	35	14	9.3	9.3	...	...	...	...	...			
B221	5154	A95154	0	...	22	(69)	-452	30	11	7.3	7.3	...	...	...	...	...			
B221	5454	A95454	0	...	22	(69)	-452	31	12	8.0	8.0	8.0	7.4	5.5	4.1	3.0			
B221	5456	A95456	0	...	25	(69)	-452	41	19	12.7	12.7	...	...	...	...	...			
B221	6061	A96061	T4	...	23	(33)(63)(69)	-452	26	16	8.7	8.7	8.7	8.7	8.3	7.4	5.2			
B221	6061	A96061	T6	...	23	(33)(63)(69)	-452	38	35	12.7	12.7	12.7	12.3	10.5	8.1	5.2			
B221	6061	A96061	T4 wld.	...	23	(22)(63)(69)	-452	24	...	8.0	8.0	8.0	8.0	7.7	6.9	5.1			
B221	6061	A96061	T6 wld.	...	23	(22)(63)(69)	-452	24	...	8.0	8.0	8.0	8.0	7.7	6.9	5.1			
B221	6063	A96063	T4	≤ 0.500	23	(13)(33)(69)	-452	19	10	6.3	6.3	6.3	6.3	5.8	3.9	1.5			
B221	6063	A96063	T5	≤ 0.500	23	(13)(33)(69)	-452	22	16	7.3	7.3	7.3	7.3	7.1	3.8	2.0			
B221	6063	A96063	T6	...	23	(33)(69)	-452	30	25	10.0	10.0	10.0	9.1	7.2	3.4	2.0			
B221	6063	A96063	T4 wld.	...	23	(69)	-452	17	...	5.7	5.7	5.6	5.3	4.8	3.8	2.0			
B221	6063	A96063	T5 wld.	...	23	(69)	-452	17	...	5.7	5.7	5.6	5.3	4.8	3.8	2.0			
B221	6063	A96063	T6 wld.	...	23	(69)	-452	17	...	5.7	5.7	5.6	5.3	4.8	3.8	2.0			

**Table A-1 Basic Allowable Stresses in Tension for Metals<sup>1</sup> (Cont'd)** (12)  
 Numbers in Parentheses Refer to Notes for Appendix A Tables; Specifications Are ASTM Unless Otherwise Indicated

Spec. No.	Type/Grade	UNS No.	Class/ Condition/ Temper	Size or Thickness Range, in.	P-No. (5)	Notes	Min. Temp., °F (6)	Specified Min. Strength, ksi		Basic Allowable Stress, S, ksi (1), at Metal Temperature, °F										
								Tensile	Yield	Min. Temp. to 100	150	200	250	300	350	400				
<b>Aluminum Alloy (Cont'd)</b>																				
<b>Plates and Sheets</b>																				
B209	1060	A91060	O	...	21	...	-452	8	2.5	1.7	1.6	1.6	1.4	1.2	1.1	0.8				
B209	1060	A91060	H112	0.500-1.000	21	(13)(33)	-452	10	5	3.3	3.2	2.9	2.5	2.0	1.5	0.9				
B209	1060	A91060	H12	...	21	(33)	-452	11	9	3.7	3.7	3.4	3.1	2.7	1.8	1.1				
B209	1060	A91060	H14	...	21	(33)	-452	12	10	4.0	4.0	4.0	4.0	2.7	1.8	1.1				
B209	1100	A91100	O	...	21	...	-452	11	3.5	2.3	2.3	2.3	2.3	1.7	1.3	1.0				
B209	1100	A91100	H112	0.500-2.000	21	(13)(33)	-452	12	5	3.3	3.3	3.3	3.2	2.4	1.7	1.0				
B209	1100	A91100	H12	...	21	(33)	-452	14	11	4.7	4.7	4.6	3.8	2.8	1.9	1.1				
B209	1100	A91100	H14	...	21	(33)	-452	16	14	5.3	5.3	5.3	4.9	2.8	1.9	1.1				
B209	3003	A93003	O	...	21	...	-452	14	5	3.3	3.2	3.1	3.0	2.7	1.9	1.5				
B209	3003	A93003	H112	0.500-2.000	21	(13)(33)	-452	15	6	4.0	3.9	3.7	3.6	2.7	1.9	1.5				
B209	3003	A93003	H12	...	21	(33)	-452	17	12	5.7	5.7	5.6	5.2	4.3	3.0	2.3				
B209	3003	A93003	H14	...	21	(33)	-452	20	17	6.7	6.7	6.7	6.5	4.3	3.0	2.3				
B209	Alclad 3003	A83003	O	0.006-0.499	21	(66)	-452	13	4.5	3.0	2.9	2.8	2.7	2.5	1.9	1.5				
B209	Alclad 3003	A83003	O	0.500-3.000	21	(68)	-452	14	5	3.3	3.2	3.1	3.0	2.7	1.9	1.5				
B209	Alclad 3003	A83003	H112	0.500-2.000	21	(33)(66)	-452	15	6	4.0	3.9	3.7	3.6	2.7	1.9	1.5				
B209	Alclad 3003	A83003	H12	0.017-0.499	21	(33)(66)	-452	16	11	5.3	5.3	5.2	4.9	4.3	3.0	2.3				
B209	Alclad 3003	A83003	H12	0.500-2.000	21	(33)(68)	-452	17	12	5.7	5.7	5.7	5.7	4.3	3.0	2.3				
B209	Alclad 3003	A83003	H14	0.009-0.499	21	(33)(66)	-452	19	16	6.3	6.3	6.3	6.1	4.3	3.0	2.3				
B209	Alclad 3003	A83003	H14	0.500-1.000	21	(33)(68)	-452	20	17	6.7	6.7	6.7	6.5	4.3	3.0	2.3				
B209	3004	A93004	O	...	22	...	-452	22	8.5	5.7	5.7	5.7	5.7	5.7	3.8	2.3				
B209	3004	A93004	H112	...	22	(33)	-452	23	9	6.0	6.0	6.0	6.0	5.8	3.8	2.3				
B209	3004	A93004	H32	...	22	(33)	-452	28	21	9.3	9.3	9.3	9.3	5.7	3.8	2.3				
B209	3004	A93004	H34	...	22	(33)	-452	32	25	10.7	10.7	10.7	10.7	5.7	3.8	2.3				
B209	Alclad 3004	A83004	O	0.006-0.499	22	(66)	-452	21	8	5.3	5.3	5.3	5.3	5.3	3.8	2.3				
B209	Alclad 3004	A83004	O	0.500-3.000	22	(68)	-452	22	8.5	5.7	5.6	5.6	5.6	5.6	3.8	2.3				
B209	Alclad 3004	A83004	H112	0.250-0.499	22	(33)(66)	-452	22	8.5	5.7	5.6	5.6	5.6	5.6	3.8	2.3				
B209	Alclad 3004	A83004	H112	0.500-3.000	22	(33)(68)	-452	23	9	6.0	6.0	6.0	6.0	5.7	3.8	2.3				
B209	Alclad 3004	A83004	H32	0.017-0.499	22	(33)(66)	-452	27	20	9.0	9.0	9.0	9.0	5.7	3.8	2.3				
B209	Alclad 3004	A83004	H32	0.500-2.000	22	(33)(68)	-452	28	21	9.3	9.3	9.3	9.3	5.7	3.8	2.3				
B209	Alclad 3004	A83004	H34	0.009-0.499	22	(33)(66)	-452	31	24	10.3	10.3	10.3	10.3	5.7	3.8	2.3				
B209	Alclad 3004	A83004	H34	0.500-1.000	22	(33)(68)	-452	32	25	10.7	10.7	10.7	10.7	5.7	3.8	2.3				
B209	5050	A95050	O	...	21	...	-452	18	6	4.0	4.0	4.0	4.0	4.0	2.8	1.4				
B209	5050	A95050	H112	...	21	(33)	-452	20	8	5.3	5.3	5.3	5.2	5.2	2.8	1.4				
B209	5050	A95050	H32	...	21	(33)	-452	22	16	7.3	7.3	7.3	7.3	5.3	2.8	1.4				
B209	5050	A95050	H34	...	21	(33)	-452	25	20	8.3	8.3	8.3	7.8	5.3	2.8	1.4				
B209	5052	A95052	O	...	22	...	-452	25	9.5	6.3	6.3	6.3	6.2	6.1	4.1	2.3				
B209	5652	A95652	O	...	22	...	-452	25	9.5	6.3	6.3	6.3	6.2	6.1	4.1	2.3				
B209	5052	A95052	H112	0.500-3.000	22	(13)(33)	-452	25	9.5	6.3	6.3	6.3	6.3	6.1	4.1	2.3				
B209	5652	A95652	H112	0.500-3.000	22	(13)(33)	-452	25	9.5	6.3	6.3	6.3	6.3	6.1	4.1	2.3				
B209	5052	A95052	H32	...	22	(33)	-452	31	23	10.3	10.3	10.3	10.3	6.1	4.1	2.3				
B209	5652	A95652	H32	...	22	(33)	-452	31	23	10.3	10.3	10.3	10.3	6.1	4.1	2.3				
B209	5052	A95052	H34	...	22	(33)	-452	34	26	11.3	11.3	11.3	11.3	6.1	4.1	2.3				
B209	5652	A95652	H34	...	22	(33)	-452	34	26	11.3	11.3	11.3	11.3	6.1	4.1	2.3				

(12) **Table A-1 Basic Allowable Stresses in Tension for Metals<sup>1</sup> (Cont'd)**

Numbers in Parentheses Refer to Notes for Appendix A Tables; Specifications Are ASTM Unless Otherwise Indicated

Spec. No.	Type/Grade	UNS No.	Class/ Condition/ Temper	Size or Thickness Range, in.	P-No. (5)	Notes	Min. Temp., °F (6)	Specified Min. Strength, ksi		Basic Allowable Stress, S, ksi (1), at Metal Temperature, °F									
								Tensile	Yield	Min. Temp. to 100	150	200	250	300	350	400			
<b>Aluminum Alloy (Cont'd)</b>																			
<b>Plates and Sheets (Cont'd)</b>																			
B209	5083	A95083	O	0.051-1.500	25	(13)	-452	40	18	12.0	12.0	...	...	...	...	...	...	...	...
B209	5083	A95083	H32	0.188-1.500	25	(13)(33)	-452	44	31	14.7	14.7	...	...	...	...	...	...	...	...
B209	5086	A95086	O	...	25	...	-452	35	14	9.3	9.3	...	...	...	...	...	...	...	...
B209	5086	A95086	H112	0.500-1.000	25	(13)(33)	-452	35	16	9.3	9.3	...	...	...	...	...	...	...	...
B209	5086	A95086	H32	...	25	(33)	-452	40	28	13.3	13.3	...	...	...	...	...	...	...	...
B209	5086	A95086	H34	...	25	(33)	-452	44	34	14.7	14.7	...	...	...	...	...	...	...	...
B209	5154	A95154	O	...	22	...	-452	30	11	7.3	7.3	...	...	...	...	...	...	...	...
B209	5254	A95254	O	...	22	...	-452	30	11	7.3	7.3	...	...	...	...	...	...	...	...
B209	5154	A95154	H112	0.500-3.000	22	(13)(33)	-452	30	11	7.3	7.3	...	...	...	...	...	...	...	...
B209	5254	A95254	H112	0.500-3.000	22	(13)(33)	-452	30	11	7.3	7.3	...	...	...	...	...	...	...	...
B209	5154	A95154	H32	...	22	(33)	-452	36	26	12.0	12.0	...	...	...	...	...	...	...	...
B209	5254	A95254	H32	...	22	(33)	-452	36	26	12.0	12.0	...	...	...	...	...	...	...	...
B209	5154	A95154	H34	...	22	(33)	-452	39	29	13.0	13.0	...	...	...	...	...	...	...	...
B209	5254	A95254	H34	...	22	(33)	-452	39	29	13.0	13.0	...	...	...	...	...	...	...	...
B209	5454	A95454	O	...	22	...	-452	31	12	8.0	8.0	8.0	7.4	5.5	4.1	3.0	...	...	...
B209	5454	A95454	H112	0.500-3.000	22	(13)(33)	-452	31	12	8.0	8.0	8.0	7.4	5.5	4.1	3.0	...	...	...
B209	5454	A95454	H32	...	22	(33)	-452	36	26	12.0	12.0	12.0	7.5	5.5	4.1	3.0	...	...	...
B209	5454	A95454	H34	...	22	(33)	-452	39	29	13.0	13.0	13.0	7.5	5.5	4.1	3.0	...	...	...
B209	5456	A95456	O	0.051-1.500	25	(13)	-452	42	19	12.7	12.7	...	...	...	...	...	...	...	...
B209	5456	A95456	H32	0.188-0.499	25	(13)(33)	-452	46	33	15.3	15.3	...	...	...	...	...	...	...	...
B209	6061	A96061	T4	...	23	(33)(63)	-452	30	16	10.0	10.0	10.0	9.9	9.5	8.4	5.2	...	...	...
B209	6061	A96061	T6	...	23	(33)	-452	42	35	14.0	14.0	14.0	13.6	11.7	8.9	5.2	...	...	...
B209	6061	A96061	T651	0.250-4.000	23	(13)(33)	-452	42	35	14.0	14.0	14.0	13.6	11.7	8.9	5.2	...	...	...
B209	6061	A96061	T4 wld.	...	23	(22)(63)	-452	24	...	8.0	8.0	8.0	8.0	7.7	6.9	5.1	...	...	...
B209	6061	A96061	T6 wld.	...	23	(22)(63)	-452	24	...	8.0	8.0	8.0	8.0	7.7	6.9	5.1	...	...	...
B209	Alclad 6061	A86061	T4	...	23	(33)(66)	-452	27	14	9.0	9.0	9.0	8.9	8.6	7.6	5.2	...	...	...
B209	Alclad 6061	A86061	T451	0.250-0.499	23	(33)(66)	-452	27	14	9.0	9.0	9.0	8.9	8.6	7.6	5.2	...	...	...
B209	Alclad 6061	A86061	T451	0.500-3.000	23	(33)(68)	-452	30	16	9.0	9.0	9.0	8.9	8.5	8.4	5.2	...	...	...
B209	Alclad 6061	A86061	T6	...	23	(33)(66)	-452	38	32	12.7	12.7	12.7	12.3	10.6	8.1	5.2	...	...	...
B209	Alclad 6061	A86061	T651	0.250-0.499	23	(33)(66)	-452	38	32	12.7	12.7	12.7	12.3	10.6	8.1	5.2	...	...	...
B209	Alclad 6061	A86061	T651	0.500-4.000	23	(33)(68)	-452	42	35	14.0	14.0	14.0	13.6	11.7	8.9	5.2	...	...	...
B209	Alclad 6061	A86061	T4 wld.	...	23	(22)(63)	-452	24	...	8.0	8.0	8.0	8.0	7.7	6.9	5.1	...	...	...
B209	Alclad 6061	A86061	T6 wld.	...	23	(22)(63)	-452	24	...	8.0	8.0	8.0	8.0	7.7	6.9	5.1	...	...	...
<b>Forgings and Fittings (2)</b>																			
B247	3003	A93003	H112	...	21	(9)(45)	-452	14	5	3.3	3.2	3.1	3.0	2.7	1.9	1.5	...	...	...
B247	3003	A93003	H112 wld.	...	21	(9)(45)	-452	14	5	3.3	3.2	3.1	3.0	2.7	1.9	1.5	...	...	...
B247	5083	A95083	O	...	25	(9)(32)(33)	-452	39	16	10.7	10.7	...	...	...	...	...	...	...	...
B247	5083	A95083	H112	...	25	(9)(32)(33)	-452	39	16	10.7	10.7	...	...	...	...	...	...	...	...
B247	5083	A95083	H112 wld.	...	25	(9)(32)(33)	-452	39	16	10.7	10.7	...	...	...	...	...	...	...	...
B247	6061	A96061	T6	...	23	(9)(33)	-452	38	35	12.7	12.7	12.7	12.3	10.5	8.1	5.2	...	...	...
B247	6061	A96061	T6 wld.	...	23	(9)(22)	-452	24	...	8.0	8.0	8.0	8.0	7.7	6.9	5.1	...	...	...



**Table A-1 Basic Allowable Stresses in Tension for Metals<sup>1</sup> (Cont'd)** (12)  
 Numbers in Parentheses Refer to Notes for Appendix A Tables; Specifications Are ASTM Unless Otherwise Indicated

Spec. No.	Type/Grade	UNS No.	Class/Condition/ Temper	Size or Thickness Range, in.	P-No. (5)	Notes	Min. Temp., °F (6)	Specified Min. Strength, ksi		Basic Allowable Stress, S, ksi (1), at Metal Temperature, °F																	
								Tensile	Yield	Min. Temp. to	100	150	200	250	300	350	400										
<b>Aluminum Alloy (Cont'd)</b>																											
<b>Forgings and Fittings (2) (Cont'd)</b>																											
B361	WP1060	A91060	O	...	21	(13)(14)(23)(32)(33)	-452	8	2.5	1.7	1.6	1.6	1.4	1.2	1.1	0.8											
B361	WP1060	A91060	H112	...	21	(13)(14)(23)(32)(33)	-452	8	2.5	1.7	1.6	1.6	1.4	1.2	1.1	0.8											
B361	WP1100	A91100	O	...	21	(13)(14)(23)(32)(33)	-452	11	3	2.0	2.0	2.0	1.9	1.7	1.3	1.0											
B361	WP1100	A91100	H112	...	21	(13)(14)(23)(32)(33)	-452	11	3	2.0	2.0	2.0	1.9	1.7	1.3	1.0											
B361	WP3003	A93003	O	...	21	(13)(14)(23)(32)(33)	-452	14	5	3.3	3.2	3.1	3.0	2.7	1.9	1.5											
B361	WP3003	A93003	H112	...	21	(13)(14)(23)(32)(33)	-452	14	5	3.3	3.2	3.1	3.0	2.7	1.9	1.5											
B361	WP Alclad 3003	A83003	O	...	21	(13)(14)(23)(32)(33)(66)	-452	13	4.5	3.0	2.9	2.8	2.7	2.5	1.9	1.5											
B361	WP Alclad 3003	A83003	H112	...	21	(13)(14)(23)(32)(33)(66)	-452	13	4.5	3.0	2.9	2.8	2.7	2.5	1.9	1.5											
B361	WP5083	A95083	O	...	25	(13)(23)(32)(33)	-452	39	16	10.7	10.7	...	...	...	...	...											
B361	WP5083	A95083	H112	...	25	(13)(23)(32)(33)	-452	39	16	10.7	10.7	...	...	...	...	...											
B361	WP5154	A95154	O	...	22	(23)(32)(33)	-452	30	11	7.3	7.3	...	...	...	...	...											
B361	WP5154	A95154	H112	...	22	(23)(32)(33)	-452	30	11	7.3	7.3	...	...	...	...	...											
B361	WP6061	A96061	T4	...	23	(13)(23)(32)(33)(63)	-452	26	16	8.7	8.7	8.7	8.7	8.3	7.4	5.2											
B361	WP6061	A96061	T6	...	23	(13)(23)(32)(33)(63)	-452	38	35	12.7	12.7	12.7	12.3	10.5	8.1	5.2											
B361	WP6061	A96061	T4 wld.	...	23	(22)(23)(32)(63)	-452	24	...	8.0	8.0	8.0	8.0	7.7	6.9	5.1											
B361	WP6061	A96061	T6 wld.	...	23	(22)(23)(32)(63)	-452	24	...	8.0	8.0	8.0	8.0	7.7	6.9	5.1											
B361	WP6063	A96063	T4	...	23	(13)(23)(32)(33)	-452	18	9	6.0	5.9	5.8	5.7	5.5	3.7	1.4											
B361	WP6063	A96063	T6	...	23	(13)(23)(32)(33)	-452	30	25	10.0	10.0	10.0	9.1	7.2	3.4	2.0											
B361	WP6063	A96063	T4 wld.	...	23	(23)(32)	-452	17	...	5.7	5.7	5.7	5.7	5.5	3.8	2.0											
B361	WP6063	A96063	T6 wld.	...	23	(23)(32)	-452	17	...	5.7	5.7	5.7	5.7	5.5	3.8	2.0											
<b>Castings (2)</b>																											
B26	443.0	A04430	F	...	...	(9)(43)	-452	17	7	4.7	4.7	4.7	4.7	4.7	4.7	3.5											
B26	356.0	A03560	T6	...	...	(9)(43)	-452	30	20	10.0	10.0	10.0	8.4	...	...	...											
B26	356.0	A03560	T71	...	...	(9)(43)	-452	25	18	8.3	8.3	8.3	8.1	7.3	5.5	2.4											

(12)

**Table A-1M Basic Allowable Stresses in Tension for Metals (Metric)<sup>1</sup>**  
 Numbers in Parentheses Refer to Notes for Appendix A Tables; Specifications Are ASTM Unless Otherwise Indicated

Nominal Composition	Product Form	Spec. No.	Type/Grade	UNS No.	Class/Condition/Temp	Notes	Min. Temp., °C (6)	Min. Tensile Strgth., MPa	Min. Yield Strgth., MPa	Max. Use Temp., °C
Fe	Castings	A48	20	F11401	...	(2)(8e)(48)	-30	138	...	204
Fe	Castings	A278	20	F11401	...	(2)(8e)(48)	-30	138	...	204
Fe	Castings	A126	A	F11501	...	(2)(8e)(9)(48)	-30	145	...	204
Fe	Castings	A48	25	F11701	...	(2)(8e)(48)	-30	172	...	204
Fe	Castings	A278	25	F11701	...	(2)(8e)(48)	-30	172	...	204
Fe	Castings	A48	30	F12101	...	(2)(8e)(48)	-30	207	...	204
Fe	Castings	A278	30	F12101	...	(2)(8e)(48)	-30	207	...	204
Fe	Castings	A126	B	F12102	...	(2)(8e)(9)(48)	-30	214	...	204
Fe	Castings	A48	35	F12401	...	(2)(8e)(48)	-30	241	...	204
Fe	Castings	A278	35	F12401	...	(2)(8e)(48)	-30	241	...	204
Fe	Castings	A48	40	F12801	...	(2)(8e)(9)(48)	-30	276	...	204
Fe	Castings	A126	C	F12802	...	(2)(8e)(9)(48)	-30	283	...	204
Fe	Castings	A278	40	F12803	...	(2)(8e)(9)(53)	-30	276	...	343
Fe	Castings	A48	45	F13101	...	(2)(8e)(48)	-30	310	...	204
Fe	Castings	A48	50	F13501	...	(2)(8e)(48)	-30	345	...	204
Fe	Castings	A278	50	F13502	...	(2)(8e)(53)	-30	345	...	343
Fe	Castings	A48	55	F13801	...	(2)(8e)(48)	-30	379	...	204
Fe	Castings	A48	60	F14101	...	(2)(8e)(48)	-30	414	...	204
Fe	Castings	A278	60	F14102	...	(2)(8e)(53)	-30	414	...	343
Fe	Castings	A197	...	F22000	...	(2)(8e)(9)	-30	276	207	343
Fe	Castings	A47	32510	F22200	...	(2)(8e)(9)	-30	345	224	343
Fe	Castings	A395	...	F32800	...	(2)(8d)(9)	-30	414	276	343
Fe	Castings	A571	D-2M	F43010	1	(2)(8d)	-30	448	207	40

**Table A-1M Basic Allowable Stresses in Tension for Metals (Metric)<sup>1</sup>**  
 Numbers in Parentheses Refer to Notes for Appendix A Tables; Specifications Are ASTM Unless Otherwise Indicated

Basic Allowable Stress, <i>S</i> , MPa (1), at Metal Temperature, °C													Type/ Grade	Spec. No.
40	65	100	125	150	175	200	225	250	275	300	325	350		
13.8	13.8	13.8	13.8	13.8	13.8	13.8	13.8	...	...	...	...	...	20	A48
13.8	13.8	13.8	13.8	13.8	13.8	13.8	13.8	...	...	...	...	...	20	A278
13.8	13.8	13.8	13.8	13.8	13.8	13.8	13.8	...	...	...	...	...	A	A126
17.2	17.2	17.2	17.2	17.2	17.2	17.2	17.2	...	...	...	...	...	25	A48
17.2	17.2	17.2	17.2	17.2	17.2	17.2	17.2	...	...	...	...	...	25	A278
20.7	20.7	20.7	20.7	20.7	20.7	20.7	20.7	...	...	...	...	...	30	A48
20.7	20.7	20.7	20.7	20.7	20.7	20.7	20.7	...	...	...	...	...	30	A278
20.7	20.7	20.7	20.7	20.7	20.7	20.7	20.7	...	...	...	...	...	B	A126
24.1	24.1	24.1	24.1	24.1	24.1	24.1	24.1	...	...	...	...	...	35	A48
24.1	24.1	24.1	24.1	24.1	24.1	24.1	24.1	...	...	...	...	...	35	A278
27.6	27.6	27.6	27.6	27.6	27.6	27.6	27.6	...	...	...	...	...	40	A48
27.6	27.6	27.6	27.6	27.6	27.6	27.6	27.6	...	...	...	...	...	C	A126
27.6	27.6	27.6	27.6	27.6	27.6	27.6	27.6	27.6	27.6	27.6	27.6	27.6	40	A278
31.0	31.0	31.0	31.0	31.0	31.0	31.0	31.0	...	...	...	...	...	45	A48
34.5	34.5	34.5	34.5	34.5	34.5	34.5	34.5	...	...	...	...	...	50	A48
34.5	34.5	34.5	34.5	34.5	34.5	34.5	34.5	34.5	34.5	34.5	34.5	34.5	50	A278
37.9	37.9	37.9	37.9	37.9	37.9	37.9	37.9	...	...	...	...	...	55	A48
41.4	41.4	41.4	41.4	41.4	41.4	41.4	41.4	...	...	...	...	...	60	A48
41.4	41.4	41.4	41.4	41.4	41.4	41.4	41.4	41.4	41.4	41.4	41.4	41.4	60	A278
55.2	55.2	55.2	55.2	55.2	55.2	55.2	55.2	55.2	55.2	55.2	55.2	55.2	...	A197
68.9	68.9	68.9	68.9	68.9	68.9	68.9	68.9	68.9	68.9	68.9	68.9	68.9	32510	A47
137	133	128	125	122	119	116	112	109	106	103	98.0	93.5	...	A395
138	...	...	...	...	...	...	...	...	...	...	...	...	D-2M	A571

(12)

**Table A-1M Basic Allowable Stresses in Tension for Metals (Metric)<sup>1</sup> (Cont'd)**  
 Numbers in Parentheses Refer to Notes for Appendix A Tables; Specifications Are ASTM Unless Otherwise Indicated

Nominal Composition	Product Form	Spec. No.	Type/ Grade	UNS No.	Class/ Condition/ Temper	Size, mm	P-No. (5)
Carbon steel	Pipes & tubes	A134	...	...	...	...	1
Carbon steel	Pipes & tubes	A672	A45	K01700	...	...	1
Carbon steel	Pipes & tubes	API 5L	A25	...	...	...	1
Carbon steel	Pipes & tubes	API 5L	A25	...	...	...	1
Carbon steel	Pipes & tubes	A179	...	K01200	...	...	1
Carbon steel	Pipes & tubes	A53	A	K02504	...	...	1
Carbon steel	Pipes & tubes	A139	A	...	...	...	1
Carbon steel	Pipes & tubes	A587	...	K11500	...	...	1
Carbon steel	Pipes & tubes	A53	A	K02504	...	...	1
Carbon steel	Pipes & tubes	A106	A	K02501	...	...	1
Carbon steel	Pipes & tubes	A135	A	...	...	...	1
Carbon steel	Pipes & tubes	A369	FPA	K02501	...	...	1
Carbon steel	Pipes & tubes	API 5L	A	...	...	...	1
Carbon steel	Pipes & tubes	A134	...	...	...	...	1
Carbon steel	Pipes & tubes	A672	A50	K02200	...	...	1
Carbon steel	Pipes & tubes	A134	...	...	...	...	1
Carbon steel	Pipes & tubes	A524	II	K02104	...	...	1
Carbon steel	Pipes & tubes	A333	1	K03008	...	...	1
Carbon steel	Pipes & tubes	A334	1	K03008	...	...	1
Carbon steel	Pipes & tubes	A671	CA55	K02801	...	...	1
Carbon steel	Pipes & tubes	A672	A55	K02801	...	...	1
Carbon steel	Pipes & tubes	A672	C55	K01800	...	...	1
Carbon steel	Pipes & tubes	A671	CC60	K02100	...	...	1
Carbon steel	Pipes & tubes	A671	CB60	K02401	...	...	1
Carbon steel	Pipes & tubes	A672	B60	K02401	...	...	1
Carbon steel	Pipes & tubes	A672	C60	K02100	...	...	1
Carbon steel	Pipes & tubes	A139	B	K03003	...	...	1
Carbon steel	Pipes & tubes	A135	B	K03018	...	...	1
Carbon steel	Pipes & tubes	A524	I	K02104	...	...	1

**Table A-1M Basic Allowable Stresses in Tension for Metals (Metric)<sup>1</sup> (Cont'd)**  
 Numbers in Parentheses Refer to Notes for Appendix A Tables; Specifications Are ASTM Unless Otherwise Indicated

Notes	Min. Temp., °C (6)	Min. Tensile Strength, MPa	Min. Yield Strength, MPa	Max. Use Temp., °C	Basic Allowable Stress, S, MPa (1), at Metal Temperature, °C				Type/Grade	Spec. No.
					40	65	100	125		
(2)(8b)(57)	B	310	165	482	103	103	101	98.9	...	A134
(2)(57)(59)(67)	B	310	165	593	103	103	101	98.9	A45	A672
(2)(8a)	-30	310	172	204	103	103	103	103	A25	API 5L
(2)(57)(59)	B	310	172	204	103	103	103	103	A25	API 5L
(2)(57)(59)	-30	324	179	593	108	108	108	107	...	A179
(2)(8a)(77)	-5	331	207	204	110	110	110	110	A	A53
(2)(8b)(77)	A	331	207	149	110	110	110	110	A	A139
(2)(57)(59)	-30	331	207	454	110	110	110	110	...	A587
(2)(57)(59)	B	331	207	593	110	110	110	110	A	A53
(2)(57)	B	331	207	593	110	110	110	110	A	A106
(2)(57)(59)	B	331	207	593	110	110	110	110	A	A135
(2)(57)	B	331	207	593	110	110	110	110	FPA	A369
(2)(57)(59)(77)	B	331	207	593	110	110	110	110	A	API 5L
(2)(8b)(57)	B	345	186	482	115	115	113	111	...	A134
(2)(57)(59)(67)	B	345	186	593	115	115	113	111	A50	A672
(2)(8b)(57)	A	379	207	482	126	126	126	124	...	A134
(2)(57)	-30	379	207	538	126	126	126	124	II	A524
(2)(57)(59)	-45	379	207	593	126	126	126	124	1	A333
(2)(57)(59)	-45	379	207	593	126	126	126	124	1	A334
(2)(59)(67)	A	379	207	593	126	126	126	124	CA55	A671
(2)(57)(59)(67)	A	379	207	593	126	126	126	124	A55	A672
(2)(57)(67)	C	379	207	593	126	126	126	124	C55	A672
(2)(57)(67)	C	414	221	538	138	138	134	132	CC60	A671
(2)(57)(67)	B	414	221	593	138	138	134	132	CB60	A671
(2)(57)(67)	B	414	221	593	138	138	134	132	B60	A672
(2)(57)(67)	C	414	221	593	138	138	134	132	C60	A672
(2)(8b)	A	414	241	149	138	138	138	138	B	A139
(2)(57)(59)	B	414	241	538	138	138	138	138	B	A135
(2)(57)	-30	414	241	538	138	138	138	138	I	A524

(12)

**Table A-1M Basic Allowable Stresses in Tension for Metals (Metric)<sup>1</sup> (Cont'd)**  
 Numbers in Parentheses Refer to Notes for Appendix A Tables; Specifications Are ASTM Unless Otherwise Indicated

Basic Allowable Stress, <i>S</i> , MPa (1), at Metal Temperature, °C											
Spec. No.	Type/Grade	150	175	200	225	250	275	300	325	350	375
A134	...	97.5	96.1	94.6	92.8	90.8	88.5	86.1	83.6	81.1	78.6
A672	A45	97.5	96.1	94.6	92.8	90.8	88.5	86.1	83.6	81.1	78.6
API 5L	A25	102	100	98.5	98.2	...	...	...	...	...	...
API 5L	A25	102	100	98.5	98.2	...	...	...	...	...	...
A179	...	106	104	102	101	98.3	95.9	93.3	90.6	87.8	<b>84.3</b>
A53	A	<i>110</i>	<i>110</i>	<i>110</i>	<i>110</i>	...	...	...	...	...	...
A139	A	<i>110</i>	...	...	...	...	...	...	...	...	...
A587	...	<i>110</i>	<i>110</i>	<i>110</i>	<i>110</i>	<i>110</i>	<i>110</i>	108	105	<b>97.0</b>	<b>84.3</b>
A53	A	<i>110</i>	<i>110</i>	<i>110</i>	<i>110</i>	<i>110</i>	<i>110</i>	108	105	<b>97.0</b>	<b>84.3</b>
A106	A	<i>110</i>	<i>110</i>	<i>110</i>	<i>110</i>	<i>110</i>	<i>110</i>	108	105	<b>97.0</b>	<b>84.3</b>
A135	A	<i>110</i>	<i>110</i>	<i>110</i>	<i>110</i>	<i>110</i>	<i>110</i>	108	105	<b>97.0</b>	<b>84.3</b>
A369	FPA	<i>110</i>	<i>110</i>	<i>110</i>	<i>110</i>	<i>110</i>	<i>110</i>	108	105	<b>97.0</b>	<b>84.3</b>
API 5L	A	<i>110</i>	<i>110</i>	<i>110</i>	<i>110</i>	<i>110</i>	<i>110</i>	108	105	<b>97.0</b>	<b>84.3</b>
A134	...	110	108	106	104	102	99.6	96.9	94.1	91.2	<b>84.3</b>
A672	A50	110	108	106	104	102	99.6	96.9	94.1	91.2	<b>84.3</b>
A134	...	122	120	118	116	113	111	108	105	101	98.3
A524	II	122	120	118	116	113	111	108	105	101	98.3
A333	1	122	120	118	116	113	111	108	105	101	98.3
A334	1	122	120	118	116	113	111	108	105	101	98.3
A671	CA55	122	120	118	116	113	111	108	105	101	98.3
A672	A55	122	120	118	116	113	111	108	105	101	98.3
A672	C55	122	120	118	116	113	111	108	105	101	98.3
A671	CC60	130	128	126	124	121	118	115	111	108	105
A671	CB60	130	128	126	124	121	118	115	111	108	105
A672	B60	130	128	126	124	121	118	115	111	108	105
A672	C60	130	128	126	124	121	118	115	111	108	105
A139	B	<i>138</i>	...	...	...	...	...	...	...	...	...
A135	B	<i>138</i>	<i>138</i>	<i>138</i>	135	132	129	126	122	118	<b>113</b>
A524	I	<i>138</i>	<i>138</i>	<i>138</i>	135	132	129	126	122	118	<b>113</b>

**Table A-1M Basic Allowable Stresses in Tension for Metals (Metric)<sup>1</sup> (Cont'd)**  
 Numbers in Parentheses Refer to Notes for Appendix A Tables; Specifications Are ASTM Unless Otherwise Indicated

Basic Allowable Stress, S, MPa (1), at Metal Temperature, °C										
400	425	450	475	500	525	550	575	600	Type/ Grade	Spec. No.
73.3	64.0	55.8	43.9	40.7	...	...	...	...	...	A134
73.3	64.0	55.8	43.9	31.7	21.4	14.2	9.40	6.89	A45	A672
...	...	...	...	...	...	...	...	...	A25	API 5L
...	...	...	...	...	...	...	...	...	A25	API 5L
73.3	64.0	55.8	43.9	31.7	21.4	14.2	9.40	6.89	...	A179
...	...	...	...	...	...	...	...	...	A	A53
...	...	...	...	...	...	...	...	...	A	A139
73.3	64.0	55.8	54.5	...	...	...	...	...	...	A587
73.3	64.0	55.8	43.9	31.7	21.4	14.2	9.40	6.89	A	A53
73.3	64.0	55.8	43.9	31.7	21.4	14.2	9.40	6.89	A	A106
73.3	64.0	55.8	43.9	31.7	21.4	14.2	9.40	6.89	A	A135
73.3	64.0	55.8	43.9	31.7	21.4	14.2	9.40	6.89	FPA	A369
73.3	64.0	55.8	43.9	31.7	21.4	14.2	9.40	6.89	A	API 5L
73.3	64.0	55.8	43.9	40.7	...	...	...	...	...	A134
73.3	64.0	55.8	43.9	31.7	21.4	14.2	9.40	6.89	A50	A672
89.0	75.3	62.1	45.0	40.7	...	...	...	...	...	A134
89.0	75.3	62.1	45.0	31.7	21.4	17.2	...	...	II	A524
89.0	75.3	62.1	45.0	31.7	21.4	14.2	9.40	6.89	1	A333
89.0	75.3	62.1	45.0	31.7	21.4	14.2	9.40	6.89	1	A334
89.0	75.3	62.1	45.0	31.7	21.4	14.2	9.40	6.89	CA55	A671
89.0	75.3	62.1	45.0	31.7	21.4	14.2	9.40	6.89	A55	A672
89.0	75.3	62.1	45.0	31.7	21.4	14.2	9.40	6.89	C55	A672
95.1	79.5	62.6	45.0	31.7	21.4	17.2	...	...	CC60	A671
95.1	79.5	62.6	45.0	31.7	21.4	14.2	9.40	6.89	CB60	A671
95.1	79.5	62.6	45.0	31.7	21.4	14.2	9.40	6.89	B60	A672
95.1	79.5	62.6	45.0	31.7	21.4	14.2	9.40	6.89	C60	A672
...	...	...	...	...	...	...	...	...	B	A139
95.1	79.5	62.6	45.0	31.7	21.4	17.2	...	...	B	A135
95.1	79.5	62.6	45.0	31.7	21.4	17.2	...	...	I	A524

(12)

**Table A-1M Basic Allowable Stresses in Tension for Metals (Metric)<sup>1</sup> (Cont'd)**  
 Numbers in Parentheses Refer to Notes for Appendix A Tables; Specifications Are ASTM Unless Otherwise Indicated

Nominal Composition	Product Form	Spec. No.	Type/ Grade	UNS No.	Class/ Condition/ Temper	Size, mm	P-No. (5)
Carbon steel	Pipes & tubes	A53	B	K03005	...	...	1
Carbon steel	Pipes & tubes	A106	B	K03006	...	...	1
Carbon steel	Pipes & tubes	A333	6	K03006	...	...	1
Carbon steel	Pipes & tubes	A334	6	K03006	...	...	1
Carbon steel	Pipes & tubes	A369	FPB	K03006	...	...	1
Carbon steel	Pipes & tubes	A381	Y35	...	...	...	1
Carbon steel	Pipes & tubes	API 5L	B	...	...	...	1
Carbon steel	Pipes & tubes	A139	C	K03004	...	...	1
Carbon steel	Pipes & tubes	A139	D	K03010	...	...	1
Carbon steel	Pipes & tubes	API 5L	X42	...	...	...	1
Carbon steel	Pipes & tubes	A381	Y42	...	...	...	1
Carbon steel	Pipes & tubes	A381	Y48	...	...	...	1
Carbon steel	Pipes & tubes	API 5L	X46	...	...	...	1
Carbon steel	Pipes & tubes	A381	Y46	...	...	...	1
Carbon steel	Pipes & tubes	A381	Y50	...	...	...	1
Carbon steel	Pipes & tubes	A671	CC65	K02403	...	...	1
Carbon steel	Pipes & tubes	A671	CB65	K02800	...	...	1
Carbon steel	Pipes & tubes	A672	B65	K02800	...	...	1
Carbon steel	Pipes & tubes	A672	C65	K02403	...	...	1
Carbon steel	Pipes & tubes	A139	E	K03012	...	...	1
Carbon steel	Pipes & tubes	API 5L	X52	...	...	...	1
Carbon steel	Pipes & tubes	A381	Y52	...	...	...	1
Carbon steel	Pipes & tubes	A671	CC70	K02700	...	...	1
Carbon steel	Pipes & tubes	A671	CB70	K03101	...	...	1
Carbon steel	Pipes & tubes	A672	B70	K03101	...	...	1
Carbon steel	Pipes & tubes	A672	C70	K02700	...	...	1
Carbon steel	Pipes & tubes	A106	C	K03501	...	...	1
Carbon steel	Pipes & tubes	A671	CD70	K12437	...	≤ 64	1
Carbon steel	Pipes & tubes	A672	D70	K12437	...	≤ 64	1
Carbon steel	Pipes & tubes	A691	CMSH-70	K12437	...	≤ 64	1



**Table A-1M Basic Allowable Stresses in Tension for Metals (Metric)<sup>1</sup> (Cont'd)**  
 Numbers in Parentheses Refer to Notes for Appendix A Tables; Specifications Are ASTM Unless Otherwise Indicated

Notes	Min. Temp., °C (6)	Min. Tensile Strength, MPa	Min. Yield Strength, MPa	Max. Use Temp., °C	Basic Allowable Stress, S, MPa (1), at Metal Temperature, °C				Type/Grade	Spec. No.
					40	65	100	125		
					(2)(57)(59)	B	414	241		
(2)(57)	B	414	241	593	138	138	138	138	B	A106
(2)(57)	-45	414	241	593	138	138	138	138	6	A333
(2)(57)	-45	414	241	593	138	138	138	138	6	A334
(2)(57)	-30	414	241	593	138	138	138	138	FPB	A369
(2)	A	414	241	593	138	138	138	138	Y35	A381
(2)(57)(59)(77)	B	414	241	593	138	138	138	138	B	API 5L
(2)(8b)	A	414	290	149	138	138	138	138	C	A139
(2)(8b)	A	414	317	149	138	138	138	138	D	A139
(2)(55)(77)	A	414	290	204	138	138	138	138	X42	API 5L
(2)	A	414	290	204	138	138	138	138	Y42	A381
(2)	A	427	331	343	142	142	142	142	Y48	A381
(2)(55)(77)	A	434	317	204	145	145	145	145	X46	API 5L
(2)	A	434	317	204	145	145	145	145	Y46	A381
(2)	A	441	345	343	147	147	147	147	Y50	A381
(2)(57)(67)	B	448	241	538	149	149	147	144	CC65	A671
(2)(57)(67)	A	448	241	593	149	149	147	144	CB65	A671
(2)(57)(67)	A	448	241	593	149	149	147	144	B65	A672
(2)(57)(67)	B	448	241	593	149	149	147	144	C65	A672
(2)(8b)	A	455	359	149	152	152	152	152	E	A139
(2)(55)(77)	A	455	359	204	152	152	152	152	X52	API 5L
(2)	A	455	359	204	152	152	152	152	Y52	A381
(2)(57)(67)	B	483	262	538	161	161	159	157	CC70	A671
(2)(57)(67)	A	483	262	593	161	161	159	157	CB70	A671
(2)(57)(67)	A	483	262	593	161	161	159	157	B70	A672
(2)(57)(67)	B	483	262	593	161	161	159	157	C70	A672
(2)(57)	B	483	276	427	161	161	161	161	C	A106
(2)(67)	D	483	345	371	161	161	161	159	CD70	A671
(2)(67)	D	483	345	371	161	161	161	159	D70	A672
(2)(67)	D	483	345	371	161	161	161	159	CMSH-70	A691

(12)

**Table A-1M Basic Allowable Stresses in Tension for Metals (Metric)<sup>1</sup> (Cont'd)**  
 Numbers in Parentheses Refer to Notes for Appendix A Tables; Specifications Are ASTM Unless Otherwise Indicated

Basic Allowable Stress, <i>S</i> , MPa (1), at Metal Temperature, °C											
Spec. No.	Type/Grade	150	175	200	225	250	275	300	325	350	375
A53	B	138	138	138	135	132	129	126	122	118	113
A106	B	138	138	138	135	132	129	126	122	118	113
A333	6	138	138	138	135	132	129	126	122	118	113
A334	6	138	138	138	135	132	129	126	122	118	113
A369	FPB	138	138	138	135	132	129	126	122	118	113
A381	Y35	138	138	138	135	132	129	126	122	118	113
API 5L	B	138	138	138	135	132	129	126	122	118	113
A139	C	138	...	...	...	...	...	...	...	...	...
A139	D	138	...	...	...	...	...	...	...	...	...
API 5L	X42	138	138	138	138	...	...	...	...	...	...
A381	Y42	138	138	138	138	...	...	...	...	...	...
A381	Y48	142	142	142	142	142	142	142	142	129	...
API 5L	X46	145	145	145	145	...	...	...	...	...	...
A381	Y46	145	145	145	145	...	...	...	...	...	...
A381	Y50	147	147	147	147	147	147	147	147	129	...
A671	CC65	142	140	138	135	132	129	126	122	118	113
A671	CB65	142	140	138	135	132	129	126	122	118	113
A672	B65	142	140	138	135	132	129	126	122	118	113
A672	C65	142	140	138	135	132	129	126	122	118	113
A139	E	152	...	...	...	...	...	...	...	...	...
API 5L	X52	152	152	152	152	...	...	...	...	...	...
A381	Y52	152	152	152	152	...	...	...	...	...	...
A671	CC70	154	152	150	147	144	140	136	132	128	122
A671	CB70	154	152	150	147	144	140	136	132	128	122
A672	B70	154	152	150	147	144	140	136	132	128	122
A672	C70	154	152	150	147	144	140	136	132	128	122
A106	C	161	160	158	155	151	148	144	139	135	122
A671	CD70	157	157	156	156	156	156	156	154	148	126
A672	D70	157	157	156	156	156	156	156	154	148	126
A691	CMSH-70	157	157	156	156	156	156	156	154	148	126

**Table A-1M Basic Allowable Stresses in Tension for Metals (Metric)<sup>1</sup> (Cont'd)**  
 Numbers in Parentheses Refer to Notes for Appendix A Tables; Specifications Are ASTM Unless Otherwise Indicated

(12)

Basic Allowable Stress, S, MPa (1), at Metal Temperature, °C										
400	425	450	475	500	525	550	575	600	Type/ Grade	Spec. No.
95.1	79.5	62.6	45.0	31.7	21.4	14.2	9.40	6.89	B	A53
95.1	79.5	62.6	45.0	31.7	21.4	14.2	9.40	6.89	B	A106
95.1	79.5	62.6	45.0	31.7	21.4	14.2	9.40	6.89	6	A333
95.1	79.5	62.6	45.0	31.7	21.4	14.2	9.40	6.89	6	A334
95.1	79.5	62.6	45.0	31.7	21.4	14.2	9.40	6.89	FPB	A369
95.1	79.5	62.6	45.0	31.7	21.4	14.2	9.40	6.89	Y35	A381
95.1	79.5	62.6	45.0	31.7	21.4	14.2	9.40	6.89	B	API 5L
...	...	...	...	...	...	...	...	...	C	A139
...	...	...	...	...	...	...	...	...	D	A139
...	...	...	...	...	...	...	...	...	X42	API 5L
...	...	...	...	...	...	...	...	...	Y42	A381
...	...	...	...	...	...	...	...	...	Y48	A381
...	...	...	...	...	...	...	...	...	X46	API 5L
...	...	...	...	...	...	...	...	...	Y46	A381
...	...	...	...	...	...	...	...	...	Y50	A381
95.1	79.5	64.4	47.7	32.5	21.4	17.2	...	...	CC65	A671
95.1	79.5	64.4	47.7	32.5	21.4	14.2	9.40	6.89	CB65	A671
95.1	79.5	64.4	47.7	32.5	21.4	14.2	9.40	6.89	B65	A672
95.1	79.5	64.4	47.7	32.5	21.4	14.2	9.40	6.89	C65	A672
...	...	...	...	...	...	...	...	...	E	A139
...	...	...	...	...	...	...	...	...	X52	API 5L
...	...	...	...	...	...	...	...	...	Y52	A381
101	83.8	66.8	50.3	33.2	21.4	17.2	...	...	CC70	A671
101	83.8	66.8	50.3	33.2	21.4	14.2	9.40	6.89	CB70	A671
101	83.8	66.8	50.3	33.2	21.4	14.2	9.40	6.89	B70	A672
101	83.8	66.8	50.3	33.2	21.4	14.2	9.40	6.89	C70	A672
101	83.8	82.7	...	...	...	...	...	...	C	A106
...	...	...	...	...	...	...	...	...	CD70	A671
...	...	...	...	...	...	...	...	...	D70	A672
...	...	...	...	...	...	...	...	...	CMSH-70	A691

(12)

**Table A-1M Basic Allowable Stresses in Tension for Metals (Metric)<sup>1</sup> (Cont'd)**  
 Numbers in Parentheses Refer to Notes for Appendix A Tables; Specifications Are ASTM Unless Otherwise Indicated

Nominal Composition	Product Form	Spec. No.	Type/ Grade	UNS No.	Class/ Condition/ Temper	Size, mm	P-No. (5)
Carbon steel	Pipes & tubes	API 5L	X56	...	...	...	1
Carbon steel	Pipes & tubes	A381	Y56	...	...	...	1
Carbon steel	Pipes & tubes	A671	CK75	K02803	...	> 25	1
Carbon steel	Pipes & tubes	A672	N75	K02803	...	> 25	1
Carbon steel	Pipes & tubes	A691	CMS-75	K02803	...	> 25	1
Carbon steel	Pipes & tubes	A671	CK75	K02803	...	≤ 25	1
Carbon steel	Pipes & tubes	A672	N75	K02803	...	≤ 25	1
Carbon steel	Pipes & tubes	A691	CMS-75	K02803	...	≤ 25	1
Carbon steel	Pipes & tubes	API 5L	X60	...	...	...	1
Carbon steel	Pipes & tubes	API 5L	X65	...	...	...	1
Carbon steel	Pipes & tubes	API 5L	X70	...	...	...	1
Carbon steel	Pipes & tubes	API 5L	X80	...	...	...	1
Carbon steel	Pipes & tubes	A381	Y60	...	...	...	1
Carbon steel	Pipes	A134	...	...	...	...	1
Carbon steel	Pipes	A134	...	...	...	...	1
Carbon steel	Pipes	A134	...	...	...	...	1
Carbon steel	Pipes	A134	...	...	...	...	1
Carbon steel	Pipes	A134	...	...	...	...	1
Carbon steel	Pipes	A134	...	...	...	...	1
Carbon steel	Pipes	A134	...	...	...	...	1
Carbon steel	Pipes	A134	...	...	...	...	1
Carbon steel	Pipes	A134	...	...	...	...	1
Carbon steel	Plates, bars, shapes, sheets	A285	A	K01700	...	...	1
Carbon steel	Plates, bars, shapes, sheets	A285	B	K02200	...	...	1
Carbon steel	Plates, bars, shapes, sheets	A516	55	K01800	...	...	1

**Table A-1M Basic Allowable Stresses in Tension for Metals (Metric)<sup>1</sup> (Cont'd)**  
 Numbers in Parentheses Refer to Notes for Appendix A Tables; Specifications Are ASTM Unless Otherwise Indicated

Notes	Min. Temp., °C (6)	Min. Tensile Strength, MPa	Min. Yield Strength, MPa	Max. Use Temp., °C	Basic Allowable Stress, S, MPa (1), at Metal Temperature, °C				Type/Grade	Spec. No.
					40	65	100	125		
(2)(51)(55)(71)(77)	A	490	386	204	163	163	163	163	X56	API 5L
(2)(51)(55)(71)	A	490	386	204	163	163	163	163	Y56	A381
(2)(57)(67)	A	517	276	593	172	172	168	165	CK75	A671
(2)(57)(67)	A	517	276	593	172	172	168	165	N75	A672
(2)(57)(67)	A	517	276	593	172	172	168	165	CMS-75	A691
(2)(57)(67)	A	517	290	371	172	172	172	172	CK75	A671
(2)(57)(67)	A	517	290	371	172	172	172	172	N75	A672
(2)(57)(67)	A	517	290	371	172	172	172	172	CMS-75	A691
(2)(51)(55)(71)(77)	A	517	414	204	172	172	172	172	X60	API 5L
(2)(51)(55)(71)(77)	A	531	448	204	177	177	177	177	X65	API 5L
(2)(51)(55)(71)(77)	A	565	483	204	188	188	188	188	X70	API 5L
(2)(51)(55)(71)(77)	A	621	552	204	207	207	207	207	X80	API 5L
(2)(51)(71)	A	517	414	204	172	172	172	172	Y60	A381
(2)(8a)(8c)	-30	311	165	204	103	103	101	98.9	...	A134
(2)(8a)(8c)	-30	338	207	204	113	113	113	113	...	A134
(2)(8a)(8c)	-30	345	186	149	115	115	113	111	...	A134
(2)(8a)(8c)	-30	359	228	204	120	120	120	120	...	A134
(2)(8a)(8c)	-30	365	248	204	122	122	122	122	...	A134
(2)(8a)(8c)	-30	379	276	204	126	126	126	126	...	A134
(2)(8a)(8c)	-30	400	248	204	133	133	133	133	...	A134
(2)(8a)(8c)	-30	414	228	149	138	138	138	136	...	A134
(2)(8a)(8c)	-30	414	310	204	138	138	138	138	...	A134
(2)(8a)(8c)	-30	448	345	204	149	149	149	149	...	A134
(57)(59)	B	310	165	593	103	103	101	98.9	A	A285
(57)(59)	B	345	186	593	115	115	113	111	B	A285
(57)	C	379	207	454	126	126	126	124	55	A516

(12)

**Table A-1M Basic Allowable Stresses in Tension for Metals (Metric)<sup>1</sup> (Cont'd)**  
 Numbers in Parentheses Refer to Notes for Appendix A Tables; Specifications Are ASTM Unless Otherwise Indicated

		Basic Allowable Stress, <i>S</i> , MPa (1), at Metal Temperature, °C									
Spec. No.	Type/Grade	150	175	200	225	250	275	300	325	350	375
API 5L	X56	163	163	163	163	...	...	...	...	...	...
A381	Y56	163	163	163	163	...	...	...	...	...	...
A671	CK75	163	160	158	155	151	148	144	139	135	<b>131</b>
A672	N75	163	160	158	155	151	148	144	139	135	<b>131</b>
A691	CMS-75	163	160	158	155	151	148	144	139	135	<b>131</b>
A671	CK75	171	168	165	162	159	155	151	146	142	<b>131</b>
A672	N75	171	168	165	162	159	155	151	146	142	<b>131</b>
A691	CMS-75	171	168	165	162	159	155	151	146	142	<b>131</b>
API 5L	X60	172	172	172	172	...	...	...	...	...	...
API 5L	X65	177	177	177	177	...	...	...	...	...	...
API 5L	X70	188	188	188	188	...	...	...	...	...	...
API 5L	X80	207	207	207	207	...	...	...	...	...	...
A381	Y60	172	172	172	172	...	...	...	...	...	...
A134	...	97.5	96.1	94.6	94.3	...	...	...	...	...	...
A134	...	113	113	113	113	...	...	...	...	...	...
A134	...	110	...	...	...	...	...	...	...	...	...
A134	...	120	120	120	120	...	...	...	...	...	...
A134	...	122	122	122	122	...	...	...	...	...	...
A134	...	126	126	126	126	...	...	...	...	...	...
A134	...	133	133	133	133	...	...	...	...	...	...
A134	...	134	...	...	...	...	...	...	...	...	...
A134	...	138	138	138	138	...	...	...	...	...	...
A134	...	149	149	149	149	...	...	...	...	...	...
A285	A	97.5	96.1	94.6	92.8	90.8	88.5	86.1	83.6	81.1	78.6
A285	B	110	108	106	104	102	99.6	96.9	94.1	91.2	<b>84.3</b>
A516	55	122	120	118	116	113	111	108	105	101	98.3

**Table A-1M Basic Allowable Stresses in Tension for Metals (Metric)<sup>1</sup> (Cont'd)**  
 Numbers in Parentheses Refer to Notes for Appendix A Tables; Specifications Are ASTM Unless Otherwise Indicated

(12)

Basic Allowable Stress, S, MPa (1), at Metal Temperature, °C									Type/ Grade	Spec. No.
400	425	450	475	500	525	550	575	600		
...	...	...	...	...	...	...	...	...	X56	API 5L
...	...	...	...	...	...	...	...	...	Y56	A381
<b>107</b>	<b>88.0</b>	<b>67.3</b>	<b>50.3</b>	<b>33.2</b>	<b>21.4</b>	<b>14.2</b>	<b>9.40</b>	<b>6.89</b>	CK75	A671
<b>107</b>	<b>88.0</b>	<b>67.3</b>	<b>50.3</b>	<b>33.2</b>	<b>21.4</b>	<b>14.2</b>	<b>9.40</b>	<b>6.89</b>	N75	A672
<b>107</b>	<b>88.0</b>	<b>67.3</b>	<b>50.3</b>	<b>33.2</b>	<b>21.4</b>	<b>14.2</b>	<b>9.40</b>	<b>6.89</b>	CMS-75	A691
...	...	...	...	...	...	...	...	...	CK75	A671
...	...	...	...	...	...	...	...	...	N75	A672
...	...	...	...	...	...	...	...	...	CMS-75	A691
...	...	...	...	...	...	...	...	...	X60	API 5L
...	...	...	...	...	...	...	...	...	X65	API 5L
...	...	...	...	...	...	...	...	...	X70	API 5L
...	...	...	...	...	...	...	...	...	X80	API 5L
...	...	...	...	...	...	...	...	...	Y60	A381
...	...	...	...	...	...	...	...	...	...	A134
...	...	...	...	...	...	...	...	...	...	A134
...	...	...	...	...	...	...	...	...	...	A134
...	...	...	...	...	...	...	...	...	...	A134
...	...	...	...	...	...	...	...	...	...	A134
...	...	...	...	...	...	...	...	...	...	A134
...	...	...	...	...	...	...	...	...	...	A134
...	...	...	...	...	...	...	...	...	...	A134
...	...	...	...	...	...	...	...	...	...	A134
...	...	...	...	...	...	...	...	...	...	A134
<b>73.3</b>	<b>64.0</b>	<b>55.8</b>	<b>43.9</b>	<b>31.7</b>	<b>21.4</b>	<b>14.2</b>	<b>9.40</b>	<b>6.89</b>	A	A285
<b>73.3</b>	<b>64.0</b>	<b>55.8</b>	<b>43.9</b>	<b>31.7</b>	<b>21.4</b>	<b>14.2</b>	<b>9.40</b>	<b>6.89</b>	B	A285
<b>89.0</b>	<b>75.3</b>	<b>62.1</b>	<b>60.0</b>	...	...	...	...	...	55	A516

(12)

**Table A-1M Basic Allowable Stresses in Tension for Metals (Metric)<sup>1</sup> (Cont'd)**  
 Numbers in Parentheses Refer to Notes for Appendix A Tables; Specifications Are ASTM Unless Otherwise Indicated

Nominal Composition	Product Form	Spec. No.	Type/Grade	UNS No.	Class/Condition/ Temper	Size, mm	P-No. (5)
Carbon steel	Plates, bars, shapes, sheets	A285	C	K02801	...	...	1
Carbon steel	Plates, bars, shapes, sheets	A516	60	K02100	...	...	1
Carbon steel	Plates, bars, shapes, sheets	A515	60	K02401	...	...	1
Carbon steel	Plates, bars, shapes, sheets	A516	65	K02403	...	...	1
Carbon steel	Plates, bars, shapes, sheets	A515	65	K02800	...	...	1
Carbon steel	Plates, bars, shapes, sheets	A516	70	K02700	...	...	1
Carbon steel	Plates, bars, shapes, sheets	A515	70	K03101	...	...	1
Carbon steel	Plates, bars, shapes, sheets	A537	...	K12437	1	≤ 64	1
Carbon steel	Plates, bars, shapes, sheets	A299	...	K02803	...	> 25	1
Carbon steel	Plates, bars, shapes, sheets	A299	...	K02803	...	≤ 25	1
Carbon steel	Plates, bars, shapes, sheets	A283	A	K01400	...	...	1
Carbon steel	Plates, bars, shapes, sheets	A1011	30	K02502	...	...	1
Carbon steel	Plates, bars, shapes, sheets	A283	B	K01702	...	...	1
Carbon steel	Plates, bars, shapes, sheets	A1011	33	K02502	...	...	1
Carbon steel	Plates, bars, shapes, sheets	A1011	36	K02502	...	...	1
Carbon steel	Plates, bars, shapes, sheets	A283	C	K02401	...	...	1
Carbon steel	Plates, bars, shapes, sheets	A1011	40	K02502	...	...	1
Carbon steel	Plates, bars, shapes, sheets	A36	...	K02600	...	...	1
Carbon steel	Plates, bars, shapes, sheets	A283	D	K02702	...	...	1
Carbon steel	Plates, bars, shapes, sheets	A1011	45	K02507	...	...	1
Carbon steel	Plates, bars, shapes, sheets	A1011	50	K02507	...	...	1
Carbon steel	Plates, bars, shapes, sheets	A992	...	...	...	...	1
Carbon steel	Forgings & fittings	A350	LF1	K03009	...	...	1
Carbon steel	Forgings & fittings	A181	...	K03502	60	...	1
Carbon steel	Forgings & fittings	A420	WPL6	K03006	...	...	1
Carbon steel	Forgings & fittings	A234	WPB	K03006	...	...	1
Carbon steel	Forgings & fittings	A350	LF2	K03011	1	...	1
Carbon steel	Forgings & fittings	A350	LF2	K03011	2	...	1



**Table A-1M Basic Allowable Stresses in Tension for Metals (Metric)<sup>1</sup> (Cont'd)**  
 Numbers in Parentheses Refer to Notes for Appendix A Tables; Specifications Are ASTM Unless Otherwise Indicated

Notes	Min. Temp., °C (6)	Min. Tensile Strength, MPa	Min. Yield Strength, MPa	Max. Use Temp., °C	Basic Allowable Stress, S, MPa (1), at Metal Temperature, °C				Type/Grade	Spec. No.
					40	65	100	125		
(57)(59)	A	379	207	593	126	126	126	124	C	A285
(57)	C	414	221	454	138	138	134	132	60	A516
(57)	B	414	221	538	138	138	134	132	60	A515
(57)	B	448	241	454	149	149	147	144	65	A516
(57)	A	448	241	538	149	149	147	144	65	A515
(57)	B	483	262	454	161	161	159	157	70	A516
(57)	A	483	262	538	161	161	159	157	70	A515
...	D	483	345	371	161	161	161	159	...	A537
(57)	A	517	276	593	172	172	168	165	...	A299
(57)	A	517	290	593	172	172	172	172	...	A299
(8c)(57)	A	310	165	399	103	103	101	98.9	A	A283
(8c)(57)	A	338	207	399	113	113	113	113	30	A1011
(8c)(57)	A	345	186	399	115	115	113	111	B	A283
(8c)(57)	A	359	228	399	120	120	120	120	33	A1011
(8c)(57)	A	365	248	399	122	122	122	122	36	A1011
(8c)(57)	A	379	207	399	126	126	126	124	C	A283
(8c)(57)	A	379	276	399	126	126	126	126	40	A1011
(8c)	A	400	248	371	133	133	133	133	...	A36
(8c)(57)	A	414	228	399	138	138	138	136	D	A283
(8c)(57)	A	414	310	399	138	138	138	138	45	A1011
(8c)(57)	A	448	344	399	149	149	149	149	50	A1011
(8c)(57)	A	448	344	427	142	142	142	142	...	A992
(2)(9)(57)(59)	-30	414	207	538	138	130	126	124	LF1	A350
(2)(9)(57)(59)	A	414	207	593	138	130	126	124	...	A181
(2)(57)	-45	414	241	538	138	138	138	138	WPL6	A420
(2)(57)(59)	B	414	241	593	138	138	138	138	WPB	A234
(2)(9)(57)	-45	483	248	538	161	156	151	148	LF2	A350
(2)(9)(57)	-20	483	248	538	161	156	151	148	LF2	A350

(12)

**Table A-1M Basic Allowable Stresses in Tension for Metals (Metric)<sup>1</sup> (Cont'd)**  
 Numbers in Parentheses Refer to Notes for Appendix A Tables; Specifications Are ASTM Unless Otherwise Indicated

		Basic Allowable Stress, <i>S</i> , MPa (1), at Metal Temperature, °C									
Spec. No.	Type/Grade	150	175	200	225	250	275	300	325	350	375
A285	C	122	120	118	116	113	111	108	105	101	98.3
A516	60	130	128	126	124	121	118	115	111	108	105
A515	60	130	128	126	124	121	118	115	111	108	105
A516	65	142	140	138	135	132	129	126	122	118	<b>113</b>
A515	65	142	140	138	135	132	129	126	122	118	<b>113</b>
A516	70	154	152	150	147	144	140	136	132	128	<b>122</b>
A515	70	154	152	150	147	144	140	136	132	128	<b>122</b>
A537	...	<i>157</i>	<i>157</i>	<i>156</i>	<i>156</i>	<i>156</i>	<i>156</i>	156	154	<b>148</b>	<b>126</b>
A299	...	163	160	158	155	151	148	144	139	135	<b>131</b>
A299	...	171	168	165	162	159	155	151	146	142	<b>131</b>
A283	A	97.5	96.1	94.6	92.8	90.8	88.5	86.1	83.6	81.1	78.6
A1011	30	<i>113</i>	<i>113</i>	<i>113</i>	<i>113</i>	<i>113</i>	111	108	105	<b>97.0</b>	<b>84.3</b>
A283	B	110	108	106	104	102	99.6	96.9	94.1	91.2	<b>84.3</b>
A1011	33	<i>120</i>	<i>120</i>	<i>120</i>	<i>120</i>	<i>120</i>	<i>120</i>	118	115	<b>97.0</b>	<b>84.3</b>
A1011	36	<i>122</i>	<i>122</i>	<i>122</i>	<i>122</i>	<i>122</i>	<i>122</i>	<i>122</i>	<i>122</i>	<b>97.0</b>	<b>84.3</b>
A283	C	122	120	118	116	113	111	108	105	101	98.3
A1011	40	<i>126</i>	<i>126</i>	<i>126</i>	<i>126</i>	<i>126</i>	<i>126</i>	<i>126</i>	<i>126</i>	<b>124</b>	<b>105</b>
A36	...	<i>133</i>	<i>133</i>	<i>133</i>	<i>133</i>	<i>133</i>	133	129	125	122	108
A283	D	134	132	130	128	125	122	118	115	111	108
A1011	45	<i>138</i>	<i>138</i>	<i>138</i>	<i>138</i>	<i>138</i>	<i>138</i>	<i>138</i>	<i>138</i>	<b>135</b>	<b>113</b>
A1011	50	<i>149</i>	<i>149</i>	<i>149</i>	<i>149</i>	<i>149</i>	<i>149</i>	<i>149</i>	<i>149</i>	<b>135</b>	<b>113</b>
A992	...	142	142	142	142	142	142	142	142	<b>121</b>	<b>108</b>
A350	LF1	122	120	118	116	113	111	108	105	101	98.3
A181	...	122	120	118	116	113	111	108	105	101	98.3
A420	WPL6	<i>138</i>	<i>138</i>	<i>138</i>	135	132	129	126	122	118	<b>113</b>
A234	WPB	<i>138</i>	<i>138</i>	<i>138</i>	135	132	129	126	122	118	<b>113</b>
A350	LF2	146	144	142	139	136	133	129	125	122	118
A350	LF2	146	144	142	139	136	133	129	125	122	118

**Table A-1M Basic Allowable Stresses in Tension for Metals (Metric)<sup>1</sup> (Cont'd)**  
 Numbers in Parentheses Refer to Notes for Appendix A Tables; Specifications Are ASTM Unless Otherwise Indicated

(12)

Basic Allowable Stress, S, MPa (1), at Metal Temperature, °C										
400	425	450	475	500	525	550	575	600	Type/ Grade	Spec. No.
89.0	75.3	62.1	45.0	31.7	21.4	14.2	9.40	6.89	C	A285
95.1	79.5	62.6	60.0	...	...	...	...	...	60	A516
95.1	79.5	62.6	45.0	31.7	21.4	17.2	...	...	60	A515
95.1	79.5	64.4	62.1	...	...	...	...	...	65	A516
95.1	79.5	64.4	47.7	32.5	21.4	17.2	...	...	65	A515
101	83.8	66.8	64.1	...	...	...	...	...	70	A516
101	83.8	66.8	50.3	33.2	21.4	17.2	...	...	70	A515
...	...	...	...	...	...	...	...	...	...	A537
107	88.0	67.3	50.3	33.2	21.4	14.2	9.40	6.89	...	A299
107	88.0	67.3	50.3	33.2	21.4	14.2	9.40	6.89	...	A299
73.8	...	...	...	...	...	...	...	...	A	A283
73.8	...	...	...	...	...	...	...	...	30	A1011
73.8	...	...	...	...	...	...	...	...	B	A283
73.8	...	...	...	...	...	...	...	...	33	A1011
73.8	...	...	...	...	...	...	...	...	36	A1011
89.6	...	...	...	...	...	...	...	...	C	A283
89.6	...	...	...	...	...	...	...	...	40	A1011
...	...	...	...	...	...	...	...	...	...	A36
95.8	...	...	...	...	...	...	...	...	D	A283
95.8	...	...	...	...	...	...	...	...	45	A1011
95.8	...	...	...	...	...	...	...	...	50	A1011
90.3	75.6	59.9	...	...	...	...	...	...	...	A992
95.1	79.5	62.6	45.0	31.7	21.4	17.2	...	...	LF1	A350
95.1	79.5	62.6	45.0	31.7	21.4	14.2	9.40	6.89	...	A181
95.1	79.5	62.6	45.0	31.7	21.4	17.2	...	...	WPL6	A420
95.1	79.5	62.6	45.0	31.7	21.4	14.2	9.40	6.89	WPB	A234
101	83.8	66.8	50.3	33.2	21.4	17.2	...	...	LF2	A350
101	83.8	66.8	50.3	33.2	21.4	17.2	...	...	LF2	A350

(12)

**Table A-1M Basic Allowable Stresses in Tension for Metals (Metric)<sup>1</sup> (Cont'd)**  
 Numbers in Parentheses Refer to Notes for Appendix A Tables; Specifications Are ASTM Unless Otherwise Indicated

Nominal Composition	Product Form	Spec. No.	Type/ Grade	UNS No.	Class/ Condition/ Temper	Size, mm	P-No. (5)
Carbon steel	Forgings & fittings	A105	...	K03504	...	...	1
Carbon steel	Forgings & fittings	A181	...	K03502	70	...	1
Carbon steel	Forgings & fittings	A234	WPC	K03501	...	...	1
Carbon steel	Castings	A216	WCA	J02502	...	...	1
Carbon steel	Castings	A352	LCB	J03003	...	...	1
Carbon steel	Castings	A352	LCC	J02505	...	...	1
Carbon steel	Castings	A216	WCB	J03002	...	...	1
Carbon steel	Castings	A216	WCC	J02503	...	...	1

**Table A-1M Basic Allowable Stresses in Tension for Metals (Metric)<sup>1</sup> (Cont'd)**  
 Numbers in Parentheses Refer to Notes for Appendix A Tables; Specifications Are ASTM Unless Otherwise Indicated

Notes	Min. Temp., °C (6)	Min. Tensile Strength, MPa	Min. Yield Strength, MPa	Max. Use Temp., °C	Basic Allowable Stress, S, MPa (1), at Metal Temperature, °C				Type/Grade	Spec. No.
					40	65	100	125		
(2)(9)(57)(59)	-30	483	248	593	<i>161</i>	156	151	148	...	A105
(2)(9)(57)(59)	A	483	248	593	<i>161</i>	156	151	148	...	A181
(2)(57)(59)	B	483	276	427	<i>161</i>	<i>161</i>	<i>161</i>	<i>161</i>	WPC	A234
(2)(57)	-30	414	207	593	<i>138</i>	130	126	124	WCA	A216
(2)(9)(57)	-45	448	241	593	<i>149</i>	<i>149</i>	147	144	LCB	A352
(2)(9)	-45	483	276	371	<i>161</i>	<i>161</i>	161	161	LCC	A352
(2)(9)(57)	-30	483	248	593	<i>161</i>	156	151	148	WCB	A216
(2)(9)(57)	-30	483	276	538	<i>161</i>	<i>161</i>	<i>161</i>	<i>161</i>	WCC	A216

(12)

**Table A-1M Basic Allowable Stresses in Tension for Metals (Metric)<sup>1</sup> (Cont'd)**  
 Numbers in Parentheses Refer to Notes for Appendix A Tables; Specifications Are ASTM Unless Otherwise Indicated

		Basic Allowable Stress, <i>S</i> , MPa (1), at Metal Temperature, °C									
Spec. No.	Type/Grade	150	175	200	225	250	275	300	325	350	375
A105	...	146	144	142	139	136	133	129	125	122	118
A181	...	146	144	142	139	136	133	129	125	122	118
A234	WPC	<i>161</i>	160	158	155	151	148	144	139	135	<b>122</b>
A216	WCA	122	120	118	116	113	111	108	105	101	98.3
A352	LCB	142	140	138	135	132	129	126	122	118	<b>113</b>
A352	LCC	161	159	158	154	151	145	139	137	136	132
A216	WCB	146	144	142	139	136	133	129	125	122	118
A216	WCC	<i>161</i>	160	158	155	151	148	144	139	135	<b>122</b>

**Table A-1M Basic Allowable Stresses in Tension for Metals (Metric)<sup>1</sup> (Cont'd)**  
 Numbers in Parentheses Refer to Notes for Appendix A Tables; Specifications Are ASTM Unless Otherwise Indicated

(12)

Basic Allowable Stress, S, MPa (1), at Metal Temperature, °C										
400	425	450	475	500	525	550	575	600	Type/ Grade	Spec. No.
101	83.8	66.8	50.3	33.2	21.4	14.2	9.40	6.89	...	A105
101	83.8	66.8	50.3	33.2	21.4	14.2	9.40	6.89	...	A181
101	83.8	82.7	...	...	...	...	...	...	WPC	A234
95.1	79.5	62.6	45.0	31.7	21.4	14.2	9.40	6.89	WCA	A216
95.1	79.5	64.4	47.7	32.5	21.4	14.2	9.40	6.89	LCB	A352
...	...	...	...	...	...	...	...	...	LCC	A352
101	83.8	66.8	50.3	33.2	21.4	14.2	9.40	6.89	WCB	A216
101	83.8	66.8	50.3	33.2	21.4	17.2	...	...	WCC	A216

(12)

**Table A-1M Basic Allowable Stresses in Tension for Metals (Metric)<sup>1</sup> (Cont'd)**  
 Numbers in Parentheses Refer to Notes for Appendix A Tables; Specifications Are ASTM Unless Otherwise Indicated

Nominal Composition	Product Form	Spec. No.	Type/Grade	UNS No.	Class/Condition/ Temper	Size, mm	P-No. (5)	Notes
½Cr-½Mo	Pipes	A335	P2	K11547	...	...	3	(2)
½Cr-½Mo	Pipes	A691	½CR	K12143	...	...	3	(2)(11)(67)
C-½Mo	Pipes	A335	P1	K11522	...	...	3	(2)(58)
C-½Mo	Pipes	A369	FP1	K11522	...	...	3	(2)(58)
½Cr-½Mo	Pipes	A369	FP2	K11547	...	...	3	(2)
1Cr-½Mo	Pipes	A691	1CR	K11757	...	...	4	(2)(11)(67)
½Cr-½Mo	Pipes	A426	CP2	J11547	...	...	3	(2)(10)
1½Si-½Mo	Pipes	A335	P15	K11578	...	...	3	(2)
1½Si-½Mo	Pipes	A426	CP15	J11522	...	...	3	(2)(10)
1Cr-½Mo	Pipes	A426	CP12	J11562	...	...	4	(2)(10)
5Cr-½Mo-1½Si	Pipes	A426	CP5b	J51545	...	...	5B	(2)(10)
3Cr-Mo	Pipes	A426	CP21	J31545	...	...	5A	(2)(10)
¾Cr-¾Ni-Cu-Al	Pipes	A333	4	K11267	...	...	4	(2)
2Cr-½Mo	Pipes	A369	FP3b	K21509	...	...	4	(2)
1Cr-½Mo	Pipes	A335	P12	K11562	...	...	4	(2)
1Cr-½Mo	Pipes	A369	FP12	K11562	...	...	4	(2)
1¼Cr-½Mo	Pipes	A335	P11	K11597	...	...	4	(2)
1¼Cr-½Mo	Pipes	A369	FP11	K11597	...	...	4	(2)
1¼Cr-½Mo	Pipes	A691	1¼CR	K11789	...	...	4	(2)(11)(67)
5Cr-½Mo	Pipes	A691	5CR	K41545	...	...	5B	(2)(11)(67)
5Cr-½Mo	Pipes	A335	P5	K41545	...	...	5B	(2)
5Cr-½Mo-Si	Pipes	A335	P5b	K51545	...	...	5B	(2)
5Cr-½Mo-Ti	Pipes	A335	P5c	K41245	...	...	5B	(2)
5Cr-½Mo	Pipes	A369	FP5	K41545	...	...	5B	(2)
9Cr-1Mo	Pipes	A335	P9	K90941	...	...	5B	(2)
9Cr-1Mo	Pipes	A369	FP9	K90941	...	...	5B	(2)
9Cr-1Mo	Pipes	A691	9CR	K90941	...	...	5B	(2)
3Cr-1Mo	Pipes	A335	P21	K31545	...	...	5A	(2)
3Cr-1Mo	Pipes	A369	FP21	K31545	...	...	5A	(2)
3Cr-1Mo	Pipes	A691	3CR	K31545	...	...	5A	(2)(11)(67)



**Table A-1M Basic Allowable Stresses in Tension for Metals (Metric)<sup>1</sup> (Cont'd)**  
 Numbers in Parentheses Refer to Notes for Appendix A Tables; Specifications Are ASTM Unless Otherwise Indicated

(12)

Min. Temp., °C (6)	Min. Tensile Strength, MPa	Min. Yield Strength, MPa	Max. Use Temp., °C	Basic Allowable Stress, S, MPa (1), at Metal Temperature, °C							Type/Grade	Spec. No.
				40	65	100	125	150	175	200		
-30	379	207	538	126	126	126	126	124	122	120	P2	A335
-30	379	228	538	126	126	126	126	126	126	126	½CR	A691
-30	379	207	593	126	126	126	126	124	122	120	P1	A335
-30	379	207	593	126	126	126	126	124	122	120	FP1	A369
-30	379	207	593	126	126	126	126	124	122	120	FP2	A369
-30	379	228	649	126	126	123	122	122	122	122	1CR	A691
-30	414	207	593	138	133	129	126	124	122	120	CP2	A426
-30	414	207	593	138	133	129	127	125	124	122	P15	A335
-30	414	207	593	138	133	129	127	125	124	122	CP15	A426
-30	414	207	649	138	129	124	120	117	115	112	CP12	A426
-30	414	207	649	138	129	124	122	120	119	119	CP5b	A426
-30	414	207	649	138	132	128	126	125	124	124	CP21	A426
-100	414	241	40	138	...	...	...	...	...	...	4	A333
-30	414	207	649	138	132	128	126	125	124	124	FP3b	A369
-30	414	221	649	138	138	132	128	125	122	120	P12	A335
-30	414	221	649	138	138	132	128	125	122	120	FP12	A369
-30	414	207	649	138	131	126	124	121	119	116	P11	A335
-30	414	207	649	138	131	126	124	121	119	116	FP11	A369
-30	414	241	649	138	138	138	138	138	138	136	1¼CR	A691
-30	414	207	649	138	129	124	122	120	119	119	5CR	A691
-30	414	207	649	138	129	124	122	120	119	119	P5	A335
-30	414	207	649	138	129	124	122	120	119	119	P5b	A335
-30	414	207	649	138	129	124	122	120	119	119	P5c	A335
-30	414	207	649	138	129	124	122	120	119	119	FP5	A369
-30	414	207	649	138	129	124	122	120	119	119	P9	A335
-30	414	207	649	138	129	124	122	120	119	119	FP9	A369
-30	414	207	649	138	129	124	122	120	119	119	9CR	A691
-30	414	207	649	138	132	128	126	125	124	124	P21	A335
-30	414	207	649	138	132	128	126	125	124	124	FP21	A369
-30	414	207	649	138	132	128	126	125	124	124	3CR	A691

(12)

**Table A-1M Basic Allowable Stresses in Tension for Metals (Metric)<sup>1</sup> (Cont'd)**  
 Numbers in Parentheses Refer to Notes for Appendix A Tables; Specifications Are ASTM Unless Otherwise Indicated

Spec. No.	Type/Grade	Basic Allowable Stress, <i>S</i> , MPa (1), at Metal Temperature, °C								
		225	250	275	300	325	350	375	400	425
A335	P2	119	117	115	114	112	110	108	106	103
A691	½CR	126	126	126	125	123	121	119	116	114
A335	P1	119	117	115	114	112	110	108	106	103
A369	FP1	119	117	115	114	112	110	108	106	103
A369	FP2	119	117	115	114	112	110	108	106	103
A691	1CR	121	120	118	116	115	114	112	110	109
A426	CP2	119	117	115	114	112	110	108	106	103
A335	P15	121	120	118	117	115	114	112	110	107
A426	CP15	121	120	118	117	115	114	112	110	107
A426	CP12	110	109	107	106	105	103	102	100	98.7
A426	CP5b	118	118	117	117	116	114	112	110	106
A426	CP21	124	124	124	124	124	124	124	123	122
A333	4	...	...	...	...	...	...	...	...	...
A369	FP3b	124	124	124	124	124	124	124	123	122
A335	P12	118	116	114	113	112	110	109	107	105
A369	FP12	118	116	114	113	112	110	109	107	105
A335	P11	115	113	111	109	107	106	104	102	99.6
A369	FP11	115	113	111	109	107	106	104	102	99.6
A691	1¼CR	134	131	129	127	125	123	121	119	116
A691	5CR	118	118	117	117	116	114	112	110	106
A335	P5	118	118	117	117	116	114	112	110	106
A335	P5b	118	118	117	117	116	114	112	110	106
A335	P5c	118	118	117	117	116	114	112	110	106
A369	FP5	118	118	117	117	116	114	112	110	106
A335	P9	118	118	117	117	116	114	112	110	106
A369	FP9	118	118	117	117	116	114	112	110	106
A691	9CR	118	118	117	117	116	114	112	110	106
A335	P21	124	124	124	124	124	124	124	123	122
A369	FP21	124	124	124	124	124	124	124	123	122
A691	3CR	124	124	124	124	124	124	124	123	122

**Table A-1M Basic Allowable Stresses in Tension for Metals (Metric)<sup>1</sup> (Cont'd)**  
 Numbers in Parentheses Refer to Notes for Appendix A Tables; Specifications Are ASTM Unless Otherwise Indicated

Basic Allowable Stress, S, MPa (1), at Metal Temperature, °C										
450	475	500	525	550	575	600	625	650	Type/ Grade	Spec. No.
100	97.1	<b>74.4</b>	<b>49.9</b>	<b>40.7</b>	...	...	...	...	P2	A335
110	107	<b>74.4</b>	<b>49.9</b>	<b>40.7</b>	...	...	...	...	½CR	A691
100	97.1	<b>68.0</b>	<b>42.3</b>	<b>30.5</b>	<b>23.2</b>	<b>16.5</b>	...	...	P1	A335
100	97.1	<b>68.0</b>	<b>42.3</b>	<b>30.5</b>	<b>23.2</b>	<b>16.5</b>	...	...	FP1	A369
100	97.1	<b>93.5</b>	<b>49.9</b>	<b>34.7</b>	<b>23.9</b>	<b>17.2</b>	...	...	FP2	A369
106	104	<b>92.1</b>	<b>61.1</b>	<b>40.4</b>	<b>26.4</b>	<b>17.4</b>	<b>11.6</b>	<b>7.58</b>	1CR	A691
100	97.1	<b>74.4</b>	<b>49.9</b>	<b>34.3</b>	<b>23.2</b>	<b>16.5</b>	...	...	CP2	A426
103	<b>88.4</b>	<b>74.7</b>	<b>53.7</b>	<b>35.6</b>	<b>23.2</b>	<b>16.5</b>	...	...	P15	A335
103	<b>88.4</b>	<b>74.7</b>	<b>53.7</b>	<b>35.6</b>	<b>23.2</b>	<b>16.5</b>	...	...	CP15	A426
96.8	94.6	92.0	<b>61.1</b>	<b>40.4</b>	<b>26.4</b>	<b>17.4</b>	<b>11.6</b>	<b>7.58</b>	CP12	A426
103	<b>80.6</b>	<b>61.7</b>	<b>46.4</b>	<b>34.7</b>	<b>25.5</b>	<b>17.8</b>	<b>11.4</b>	<b>6.89</b>	CP5b	A426
121	<b>89.2</b>	<b>68.8</b>	<b>54.2</b>	<b>43.4</b>	<b>34.0</b>	<b>25.1</b>	<b>17.1</b>	<b>10.3</b>	CP21	A426
...	...	...	...	...	...	...	...	...	4	A333
121	118	<b>74.7</b>	<b>53.3</b>	<b>36.0</b>	<b>24.6</b>	<b>15.5</b>	<b>9.21</b>	<b>6.89</b>	FP3b	A369
103	101	<b>92.1</b>	<b>61.1</b>	<b>40.4</b>	<b>26.4</b>	<b>17.4</b>	<b>11.6</b>	<b>7.58</b>	P12	A335
103	101	<b>92.1</b>	<b>61.1</b>	<b>40.4</b>	<b>26.4</b>	<b>17.4</b>	<b>11.6</b>	<b>7.58</b>	FP12	A369
97.2	94.5	<b>73.7</b>	<b>52.0</b>	<b>36.3</b>	<b>25.2</b>	<b>17.6</b>	<b>12.3</b>	<b>8.27</b>	P11	A335
97.2	94.5	<b>73.7</b>	<b>52.0</b>	<b>36.3</b>	<b>25.2</b>	<b>17.6</b>	<b>12.3</b>	<b>8.27</b>	FP11	A369
113	<b>104</b>	<b>73.7</b>	<b>52.0</b>	<b>36.3</b>	<b>25.2</b>	<b>17.6</b>	<b>12.3</b>	<b>8.27</b>	1¼CR	A691
103	<b>80.6</b>	<b>61.7</b>	<b>46.4</b>	<b>34.7</b>	<b>25.5</b>	<b>17.8</b>	<b>11.4</b>	<b>6.89</b>	5CR	A691
103	<b>80.6</b>	<b>61.7</b>	<b>46.4</b>	<b>34.7</b>	<b>25.5</b>	<b>17.8</b>	<b>11.4</b>	<b>6.89</b>	P5	A335
103	<b>80.6</b>	<b>61.7</b>	<b>46.4</b>	<b>34.7</b>	<b>25.5</b>	<b>17.8</b>	<b>11.4</b>	<b>6.89</b>	P5b	A335
103	<b>80.6</b>	<b>61.7</b>	<b>46.4</b>	<b>34.7</b>	<b>25.5</b>	<b>17.8</b>	<b>11.4</b>	<b>6.89</b>	P5c	A335
103	<b>80.6</b>	<b>61.7</b>	<b>46.4</b>	<b>34.7</b>	<b>25.5</b>	<b>17.8</b>	<b>11.4</b>	<b>6.89</b>	FP5	A369
103	98.3	<b>83.2</b>	<b>60.2</b>	<b>42.9</b>	<b>29.9</b>	<b>20.6</b>	<b>14.4</b>	<b>10.3</b>	P9	A335
103	98.3	<b>83.2</b>	<b>60.2</b>	<b>42.9</b>	<b>29.9</b>	<b>20.6</b>	<b>14.4</b>	<b>10.3</b>	FP9	A369
103	98.3	<b>83.2</b>	<b>60.2</b>	<b>42.9</b>	<b>29.9</b>	<b>20.6</b>	<b>14.4</b>	<b>10.3</b>	9CR	A691
121	<b>89.2</b>	<b>68.8</b>	<b>54.2</b>	<b>43.4</b>	<b>34.0</b>	<b>25.1</b>	<b>17.1</b>	<b>10.3</b>	P21	A335
121	<b>89.2</b>	<b>68.8</b>	<b>54.2</b>	<b>43.4</b>	<b>34.0</b>	<b>25.1</b>	<b>17.1</b>	<b>10.3</b>	FP21	A369
121	<b>89.2</b>	<b>68.8</b>	<b>54.2</b>	<b>43.4</b>	<b>34.0</b>	<b>25.1</b>	<b>17.1</b>	<b>10.3</b>	3CR	A691

(12)

**Table A-1M Basic Allowable Stresses in Tension for Metals (Metric)<sup>1</sup> (Cont'd)**  
 Numbers in Parentheses Refer to Notes for Appendix A Tables; Specifications Are ASTM Unless Otherwise Indicated

Nominal Composition	Product Form	Spec. No.	Type/Grade	UNS No.	Class/Condition/ Temper	Size, mm	P-No. (5)	Notes
2¼Cr-1Mo	Pipes	A691	2¼CR	K21590	...	...	5A	(2)(11)(67)(72)(75)
2¼Cr-1Mo	Pipes	A369	FP22	K21590	...	...	5A	(2)(72)(75)
2¼Cr-1Mo	Pipes	A335	P22	K21590	...	...	5A	(2)(72)(75)
2Ni-1Cu	Pipes	A333	9	K22035	...	...	9A	(2)
2Ni-1Cu	Pipes	A334	9	K22035	...	...	9A	(2)
2¼Ni	Pipes	A333	7	K21903	...	...	9A	(2)
2¼Ni	Pipes	A334	7	K21903	...	...	9A	(2)
3½Ni	Pipes	A333	3	K31918	...	...	9B	(2)
3½Ni	Pipes	A334	3	K31918	...	...	9B	(2)
C-½Mo	Pipes	A426	CP1	J12521	...	...	3	(2)(10)(58)
C-Mo	Pipes	A672	L65	K11820	...	...	3	(2)(11)(58)(67)
C-Mo	Pipes	A691	CM65	K11820	...	...	3	(2)(11)(58)(67)
2¼Ni	Pipes	A671	CF70	K22103	...	...	9A	(2)(11)(65)(67)
3½Ni	Pipes	A671	CF71	K32018	...	...	9B	(2)(11)(65)(67)
C-Mo	Pipes	A672	L70	K12020	...	...	3	(2)(11)(58)(67)
C-Mo	Pipes	A691	CM70	K12020	...	...	3	(2)(11)(58)(67)
1¼Cr-½Mo	Pipes	A426	CP11	J12072	...	...	4	(2)(10)
2¼Cr-1Mo	Pipes	A426	CP22	J21890	...	...	5A	(2)(10)(72)
C-Mo	Pipes	A672	L75	K12320	...	...	3	(2)(11)(58)(67)
C-Mo	Pipes	A691	CM75	K12320	...	...	3	(2)(11)(58)(67)
9Cr-1Mo-V	Pipes	A335	P91	K90901	...	≤ 75	15E	(2)
9Cr-1Mo-V	Pipes	A691	P91	K90901	...	≤ 75	15E	(2)
5Cr-½Mo	Pipes	A426	CP5	J42045	...	...	5B	(2)(10)
9Cr-1Mo	Pipes	A426	CP9	J82090	...	...	5B	(2)(10)
9Ni	Pipes	A333	8	K81340	...	...	11A	(2)(47)
9Ni	Pipes	A334	8	K81340	...	...	11A	(2)
½Cr-½Mo	Plates	A387	2	K12143	1	...	3	...
1Cr-½Mo	Plates	A387	12	K11757	1	...	4	...
9Cr-1Mo	Plates	A387	9	K90941	1	...	5	...

**Table A-1M Basic Allowable Stresses in Tension for Metals (Metric)<sup>1</sup> (Cont'd)**  
 Numbers in Parentheses Refer to Notes for Appendix A Tables; Specifications Are ASTM Unless Otherwise Indicated

(12)

Min. Temp., °C (6)	Min. Tensile Strength, MPa	Min. Yield Strength, MPa	Max. Use Temp., °C	Basic Allowable Stress, S, MPa (1), at Metal Temperature, °C							Type/Grade	Spec. No.
				40	65	100	125	150	175	200		
-30	414	207	649	138	132	128	126	125	124	124	2¼CR	A691
-30	414	207	649	138	132	128	126	125	124	124	FP22	A369
-30	414	207	649	138	132	128	126	125	124	124	P22	A335
-75	434	317	40	145	...	...	...	...	...	...	9	A333
-75	434	317	40	145	...	...	...	...	...	...	9	A334
-75	448	241	593	149	149	147	144	142	140	138	7	A333
-75	448	241	593	149	149	147	144	142	140	138	7	A334
-100	448	241	593	149	149	147	144	142	140	138	3	A333
-100	448	241	593	149	149	147	144	142	140	138	3	A334
-30	448	241	593	149	149	149	148	145	143	140	CP1	A426
-30	448	255	593	149	149	149	149	149	149	148	L65	A672
-30	448	255	593	149	149	149	149	149	149	148	CM65	A691
-30	483	276	40	161	...	...	...	...	...	...	CF70	A671
-30	483	276	40	161	...	...	...	...	...	...	CF71	A671
-30	483	276	593	161	161	161	161	161	161	161	L70	A672
-30	483	276	593	161	161	161	161	161	161	161	CM70	A691
-30	483	276	649	161	161	161	161	161	158	155	CP11	A426
-30	483	276	649	161	161	160	157	156	156	156	CP22	A426
-30	517	296	593	172	172	172	172	172	172	172	L75	A672
-30	517	296	593	172	172	172	172	172	172	172	CM75	A691
-30	586	414	649	195	195	195	195	195	195	195	P91	A335
-30	586	414	649	195	195	195	195	195	195	195	P91	A691
-30	621	414	649	207	207	205	202	200	199	199	CP5	A426
-30	621	414	649	207	207	205	202	200	199	199	CP9	A426
-195	689	517	93	230	230	230	...	...	...	...	8	A333
-195	689	517	93	230	230	230	...	...	...	...	8	A334
-30	379	228	538	126	126	126	126	126	126	126	2	A387
-30	379	228	649	126	126	123	122	122	122	122	12	A387
-30	414	207	649	138	129	124	122	120	119	119	9	A387

(12)

**Table A-1M Basic Allowable Stresses in Tension for Metals (Metric)<sup>1</sup> (Cont'd)**  
 Numbers in Parentheses Refer to Notes for Appendix A Tables; Specifications Are ASTM Unless Otherwise Indicated

Spec. No.	Type/Grade	Basic Allowable Stress, <i>S</i> , MPa (1), at Metal Temperature, °C								
		225	250	275	300	325	350	375	400	425
A691	2¼CR	124	124	124	124	124	124	124	123	122
A369	FP22	124	124	124	124	124	124	124	123	122
A335	P22	124	124	124	124	124	124	124	123	122
A333	9	...	...	...	...	...	...	...	...	...
A334	9	...	...	...	...	...	...	...	...	...
A333	7	135	132	128	124	119	113	107	<b>95.1</b>	<b>79.5</b>
A334	7	135	132	128	124	119	113	107	<b>95.1</b>	<b>79.5</b>
A333	3	135	132	128	124	119	113	107	<b>95.1</b>	<b>79.5</b>
A334	3	135	132	128	124	119	113	107	<b>95.1</b>	<b>79.5</b>
A426	CP1	138	137	135	133	131	129	126	123	120
A672	L65	146	144	142	140	138	136	133	131	127
A691	CM65	146	144	142	140	138	136	133	131	127
A671	CF70	...	...	...	...	...	...	...	...	...
A671	CF71	...	...	...	...	...	...	...	...	...
A672	L70	158	156	154	152	149	147	144	141	138
A691	CM70	158	156	154	152	149	147	144	141	138
A426	CP11	153	150	148	146	143	141	138	136	133
A426	CP22	<i>156</i>	<i>156</i>	<i>156</i>	<i>156</i>	<i>156</i>	<i>156</i>	<i>156</i>	<i>156</i>	<i>156</i>
A672	L75	170	168	165	163	161	158	155	152	148
A691	CM75	170	168	165	163	161	158	155	152	148
A335	P91	<i>195</i>	<i>194</i>	<i>193</i>	<i>192</i>	<i>190</i>	<i>187</i>	<i>183</i>	<i>178</i>	<i>172</i>
A691	P91	<i>195</i>	<i>194</i>	<i>193</i>	<i>192</i>	<i>190</i>	<i>187</i>	<i>183</i>	<i>178</i>	<i>172</i>
A426	CP5	<i>199</i>	<i>198</i>	<i>198</i>	<i>196</i>	<i>194</i>	<i>191</i>	<i>187</i>	<i>182</i>	<i>176</i>
A426	CP9	<i>199</i>	<i>198</i>	<i>198</i>	<i>196</i>	<i>194</i>	<i>191</i>	<i>187</i>	<i>182</i>	<i>176</i>
A333	8	...	...	...	...	...	...	...	...	...
A334	8	...	...	...	...	...	...	...	...	...
A387	2	<i>126</i>	<i>126</i>	<i>126</i>	125	123	121	119	116	114
A387	12	121	120	118	116	115	114	112	110	109
A387	9	118	118	117	117	116	114	112	110	106

**Table A-1M Basic Allowable Stresses in Tension for Metals (Metric)<sup>1</sup> (Cont'd)**  
 Numbers in Parentheses Refer to Notes for Appendix A Tables; Specifications Are ASTM Unless Otherwise Indicated

Basic Allowable Stress, S, MPa (1), at Metal Temperature, °C										
450	475	500	525	550	575	600	625	650	Type/ Grade	Spec. No.
121	<b>99.6</b>	<b>80.9</b>	<b>63.3</b>	<b>47.5</b>	<b>34.2</b>	<b>23.5</b>	<b>15.3</b>	<b>9.65</b>	2¼CR	A691
121	<b>99.6</b>	<b>80.9</b>	<b>63.3</b>	<b>47.5</b>	<b>34.2</b>	<b>23.5</b>	<b>15.3</b>	<b>9.65</b>	FP22	A369
121	<b>99.6</b>	<b>80.9</b>	<b>63.3</b>	<b>47.5</b>	<b>34.2</b>	<b>23.5</b>	<b>15.3</b>	<b>9.65</b>	P22	A335
...	...	...	...	...	...	...	...	...	9	A333
...	...	...	...	...	...	...	...	...	9	A334
<b>64.4</b>	<b>48.8</b>	<b>35.4</b>	<b>22.6</b>	<b>14.2</b>	<b>9.40</b>	<b>6.89</b>	...	...	7	A333
<b>64.4</b>	<b>48.8</b>	<b>35.4</b>	<b>22.6</b>	<b>14.2</b>	<b>9.40</b>	<b>6.89</b>	...	...	7	A334
<b>64.4</b>	<b>48.8</b>	<b>35.4</b>	<b>22.6</b>	<b>14.2</b>	<b>9.48</b>	<b>7.06</b>	...	...	3	A333
<b>64.4</b>	<b>48.8</b>	<b>35.4</b>	<b>22.6</b>	<b>14.2</b>	<b>9.48</b>	<b>7.06</b>	...	...	3	A334
117	<b>109</b>	<b>68.0</b>	<b>42.3</b>	<b>30.5</b>	<b>23.2</b>	<b>16.5</b>	...	...	CP1	A426
124	<b>109</b>	<b>68.0</b>	<b>42.3</b>	<b>30.5</b>	<b>23.2</b>	<b>16.5</b>	...	...	L65	A672
124	<b>109</b>	<b>68.0</b>	<b>42.3</b>	<b>30.5</b>	<b>23.2</b>	<b>16.5</b>	...	...	CM65	A691
...	...	...	...	...	...	...	...	...	CF70	A671
...	...	...	...	...	...	...	...	...	CF71	A671
134	<b>109</b>	<b>68.0</b>	<b>42.3</b>	<b>30.5</b>	<b>23.2</b>	<b>16.5</b>	...	...	L70	A672
134	<b>109</b>	<b>68.0</b>	<b>42.3</b>	<b>30.5</b>	<b>23.2</b>	<b>16.5</b>	...	...	CM70	A691
130	<b>104</b>	<b>73.7</b>	<b>52.0</b>	<b>36.3</b>	<b>25.2</b>	<b>17.6</b>	<b>12.3</b>	<b>8.27</b>	CP11	A426
<i>156</i>	<b>119</b>	<b>88.4</b>	<b>64.0</b>	<b>44.6</b>	<b>30.0</b>	<b>19.7</b>	<b>12.8</b>	<b>8.27</b>	CP22	A426
144	<b>109</b>	<b>68.0</b>	<b>42.3</b>	<b>30.5</b>	<b>23.2</b>	<b>16.5</b>	...	...	L75	A672
144	<b>109</b>	<b>68.0</b>	<b>42.3</b>	<b>30.5</b>	<b>23.2</b>	<b>16.5</b>	...	...	CM75	A691
<i>165</i>	<i>156</i>	<i>147</i>	<i>137</i>	<b>115</b>	<b>87.0</b>	<b>64.7</b>	<b>45.1</b>	<b>29.6</b>	P91	A335
<i>165</i>	<i>156</i>	<i>147</i>	<i>137</i>	<b>115</b>	<b>87.0</b>	<b>64.7</b>	<b>45.1</b>	<b>29.6</b>	P91	A691
<i>169</i>	<b>80.6</b>	<b>61.7</b>	<b>46.4</b>	<b>34.7</b>	<b>25.5</b>	<b>17.8</b>	<b>11.4</b>	<b>6.89</b>	CP5	A426
<i>169</i>	<i>160</i>	<b>87.5</b>	<b>61.2</b>	<b>42.9</b>	<b>29.9</b>	<b>20.6</b>	<b>14.4</b>	<b>10.3</b>	CP9	A426
...	...	...	...	...	...	...	...	...	8	A333
...	...	...	...	...	...	...	...	...	8	A334
110	107	<b>74.4</b>	<b>49.9</b>	<b>40.7</b>	...	...	...	...	2	A387
106	104	<b>92.1</b>	<b>61.1</b>	<b>40.4</b>	<b>26.4</b>	<b>17.4</b>	<b>11.6</b>	<b>7.58</b>	12	A387
103	98.3	<b>83.2</b>	<b>60.2</b>	<b>42.9</b>	<b>29.9</b>	<b>20.6</b>	<b>14.4</b>	<b>10.3</b>	9	A387

(12)

**Table A-1M Basic Allowable Stresses in Tension for Metals (Metric)<sup>1</sup> (Cont'd)**  
 Numbers in Parentheses Refer to Notes for Appendix A Tables; Specifications Are ASTM Unless Otherwise Indicated

Nominal Composition	Product Form	Spec. No.	Type/Grade	UNS No.	Class/Condition/ Temper	Size, mm	P-No. (5)	Notes
1¼Cr-½Mo	Plates	A387	11	K11789	1	...	4	...
5Cr-½Mo	Plates	A387	5	K41545	1	...	5B	...
3Cr-1Mo	Plates	A387	21	K31545	1	...	5A	...
2¼Cr-1Mo	Plates	A387	22	K21590	1	...	5A	(72)
2¼Ni	Plates	A203	A	K21703	...	...	9A	(12)(65)
3½Ni	Plates	A203	D	K31718	...	...	9B	(12)(65)
C-½Mo	Plates	A204	A	K11820	...	...	3	(58)
1Cr-½Mo	Plates	A387	12	K11757	2	...	4	...
2¼Ni	Plates	A203	B	K22103	...	...	9A	(12)(65)
3½Ni	Plates	A203	E	K32018	...	...	9B	(12)(65)
½Cr-½Mo	Plates	A387	2	K12143	2	...	3	...
C-½Mo	Plates	A204	B	K12020	...	...	3	(58)
Cr-Mn-Si	Plates	A202	A	K11742	...	...	4	...
Mn-Mo	Plates	A302	A	K12021	...	...	3	...
C-½Mo	Plates	A204	C	K12320	...	...	3	(58)
1¼Cr-½Mo	Plates	A387	11	K11789	2	...	4	...
5Cr-½Mo	Plates	A387	5	K41545	2	...	5B	...
3Cr-½Mo	Plates	A387	21	K31545	2	...	5A	...
2¼Cr-1Mo	Plates	A387	22	K21590	2	...	5A	(72)
Mn-Mo	Plates	A302	B	K12022	...	...	3	...
Mn-Mo-Ni	Plates	A302	C	K12039	...	...	3	...
Mn-Mo-Ni	Plates	A302	D	K12054	...	...	3	...
Cr-Mn-Si	Plates	A202	B	K12542	...	...	4	...
9Cr-1Mo-V	Plates	A387	91	K90901	2	≤ 75	15E	...
8Ni	Plates	A553	II	K71340	...	...	11A	(47)
5Ni	Plates	A645	...	K41583	...	...	11A	...
9Ni	Plates	A553	I	K81340	...	...	11A	(47)
9Ni	Plates	A353	...	K81340	...	...	11A	(47)
C-½Mo	Forgings & fittings	A234	WP1	K12821	...	...	3	(2)(58)
1Cr-½Mo	Forgings & fittings	A182	F12	K11562	1	...	4	(2)(9)
1Cr-½Mo	Forgings & fittings	A234	WP12	K12062	1	...	4	(2)



**Table A-1M Basic Allowable Stresses in Tension for Metals (Metric)<sup>1</sup> (Cont'd)**  
 Numbers in Parentheses Refer to Notes for Appendix A Tables; Specifications Are ASTM Unless Otherwise Indicated

Min. Temp., °C (6)	Min. Tensile Strength, MPa	Min. Yield Strength, MPa	Max. Use Temp., °C	Basic Allowable Stress, S, MPa (1), at Metal Temperature, °C							Type/Grade	Spec. No.
				40	65	100	125	150	175	200		
-30	414	241	649	138	138	138	138	138	138	136	11	A387
-30	414	207	649	138	129	124	122	120	119	119	5	A387
-30	414	207	649	138	130	126	123	121	119	117	21	A387
-30	414	207	649	138	132	128	126	125	124	124	22	A387
-30	448	255	538	149	149	149	149	149	148	146	A	A203
-30	448	255	538	149	149	149	149	149	148	146	D	A203
-30	448	255	593	149	149	149	149	149	149	148	A	A204
-30	448	276	649	149	149	146	144	144	144	144	12	A387
-30	483	276	538	161	161	161	161	161	160	158	B	A203
-30	483	276	538	161	161	161	161	161	160	158	E	A203
-30	483	310	538	161	161	161	161	161	161	161	2	A387
-30	483	276	593	161	161	161	161	161	161	161	B	A204
-30	517	310	538	172	172	172	172	172	172	172	A	A202
-30	517	310	538	172	172	172	172	172	172	172	A	A302
-30	517	296	593	172	172	172	172	172	172	172	C	A204
-30	517	310	649	172	172	172	172	172	172	172	11	A387
-30	517	310	649	172	172	171	169	167	166	165	5	A387
-30	517	310	649	172	172	171	168	167	167	167	21	A387
-30	517	310	649	172	172	171	168	167	167	167	22	A387
-30	552	345	538	184	184	184	184	184	184	184	B	A302
-30	552	345	538	184	184	184	184	184	184	184	C	A302
-30	552	345	538	184	184	184	184	184	184	184	D	A302
-30	586	324	538	195	195	195	194	191	188	185	B	A202
-30	586	414	649	195	195	195	195	195	195	195	91	A387
-170	689	586	40	230	...	...	...	...	...	...	II	A553
-170	655	448	93	218	218	218	...	...	...	...	...	A645
-195	689	586	93	230	230	230	...	...	...	...	I	A553
-195	689	517	93	230	230	230	...	...	...	...	...	A353
-30	379	207	593	126	126	126	126	124	122	120	WP1	A234
-30	414	221	649	138	129	124	120	117	115	112	F12	A182
-30	414	221	649	138	138	132	128	125	122	120	WP12	A234

(12)

**Table A-1M Basic Allowable Stresses in Tension for Metals (Metric)<sup>1</sup> (Cont'd)**  
 Numbers in Parentheses Refer to Notes for Appendix A Tables; Specifications Are ASTM Unless Otherwise Indicated

Spec. No.	Type/Grade	Basic Allowable Stress, <i>S</i> , MPa (1), at Metal Temperature, °C								
		225	250	275	300	325	350	375	400	425
A387	11	134	131	129	127	125	123	121	119	116
A387	5	118	118	117	117	116	114	112	110	106
A387	21	116	115	114	112	111	110	109	107	105
A387	22	124	124	124	124	124	124	124	123	122
A203	A	143	140	136	131	126	120	<b>113</b>	<b>95.1</b>	<b>79.5</b>
A203	D	143	140	136	131	126	120	<b>113</b>	<b>95.1</b>	<b>79.5</b>
A204	A	146	144	142	140	138	136	133	131	127
A387	12	144	144	143	141	139	138	136	134	132
A203	B	155	151	147	142	136	130	<b>113</b>	<b>95.1</b>	<b>79.5</b>
A203	E	155	151	147	142	136	130	<b>122</b>	<b>101</b>	<b>83.8</b>
A387	2	<i>161</i>	<i>161</i>	<i>161</i>	<i>161</i>	<i>161</i>	<i>161</i>	<i>161</i>	159	155
A204	B	158	156	154	152	149	147	144	141	138
A202	A	<i>172</i>	170	165	159	153	146	138	<b>107</b>	<b>84.1</b>
A302	A	<i>172</i>	<i>172</i>	<i>172</i>	<i>172</i>	<i>172</i>	171	168	165	160
A204	C	170	168	165	163	161	158	155	152	148
A387	11	172	169	166	164	161	159	156	153	149
A387	5	165	165	164	164	162	159	156	130	126
A387	21	<i>167</i>	<i>167</i>	<i>167</i>	<i>167</i>	<i>167</i>	<i>167</i>	<i>167</i>	<i>167</i>	<i>167</i>
A387	22	<i>167</i>	<i>167</i>	<i>167</i>	<i>167</i>	<i>167</i>	<i>167</i>	<i>167</i>	<i>167</i>	<i>167</i>
A302	B	<i>184</i>	<i>184</i>	<i>184</i>	<i>184</i>	<i>184</i>	<i>184</i>	<i>184</i>	183	178
A302	C	<i>184</i>	<i>184</i>	<i>184</i>	<i>184</i>	<i>184</i>	<i>184</i>	<i>184</i>	183	178
A302	D	<i>184</i>	<i>184</i>	<i>184</i>	<i>184</i>	<i>184</i>	<i>184</i>	<i>184</i>	183	178
A202	B	182	177	172	166	160	152	144	<b>120</b>	<b>84.7</b>
A387	91	<i>195</i>	<i>194</i>	<i>193</i>	<i>192</i>	<i>190</i>	<i>187</i>	<i>183</i>	<i>178</i>	<i>172</i>
A553	II	...	...	...	...	...	...	...	...	...
A645	...	...	...	...	...	...	...	...	...	...
A553	I	...	...	...	...	...	...	...	...	...
A353	...	...	...	...	...	...	...	...	...	...
A234	WP1	119	117	115	114	112	110	108	106	103
A182	F12	110	109	107	106	105	103	102	100	98.7
A234	WP12	118	116	114	113	112	110	109	107	105

**Table A-1M Basic Allowable Stresses in Tension for Metals (Metric)<sup>1</sup> (Cont'd)**  
 Numbers in Parentheses Refer to Notes for Appendix A Tables; Specifications Are ASTM Unless Otherwise Indicated

Basic Allowable Stress, <i>S</i> , MPa (1), at Metal Temperature, °C										
450	475	500	525	550	575	600	625	650	Type/ Grade	Spec. No.
113	104	73.7	52.0	36.3	25.2	17.6	12.3	8.27	11	A387
103	80.6	61.7	46.4	34.7	25.5	17.8	11.4	6.89	5	A387
103	89.2	68.8	54.2	43.4	34.0	25.1	17.1	10.3	21	A387
121	99.6	80.9	63.3	47.5	34.2	23.5	15.3	9.65	22	A387
64.4	48.8	35.4	22.6	17.2	...	...	...	...	A	A203
64.4	48.8	35.4	22.6	17.2	...	...	...	...	D	A203
124	109	68.0	42.3	30.5	23.2	16.5	...	...	A	A204
129	126	92.1	61.1	40.4	26.4	17.4	11.6	7.58	12	A387
64.4	48.8	35.4	22.6	17.2	...	...	...	...	B	A203
66.8	49.2	35.4	22.6	17.2	...	...	...	...	E	A203
151	146	93.5	49.9	40.7	...	...	...	...	2	A387
134	109	68.0	42.3	30.5	23.2	16.5	...	...	B	A204
57.6	38.7	24.9	14.2	10.3	...	...	...	...	A	A202
154	104	68.0	42.3	33.1	...	...	...	...	A	A302
144	109	68.0	42.3	30.5	23.2	16.5	...	...	C	A204
146	104	73.7	52.0	36.3	25.2	17.6	12.3	8.27	11	A387
104	80.6	61.7	46.4	34.7	25.5	17.8	11.4	6.89	5	A387
167	98.2	73.5	54.7	40.6	29.2	20.6	15.2	8.96	21	A387
167	119	88.4	64.0	44.6	30.0	19.7	12.8	8.27	22	A387
172	104	68.0	42.3	33.1	...	...	...	...	B	A302
172	104	68.0	42.3	33.1	...	...	...	...	C	A302
172	104	68.0	42.3	33.1	...	...	...	...	D	A302
57.6	38.7	24.9	14.2	10.3	...	...	...	...	B	A202
165	156	147	137	115	87.0	64.7	45.1	29.6	91	A387
...	...	...	...	...	...	...	...	...	II	A553
...	...	...	...	...	...	...	...	...	...	A645
...	...	...	...	...	...	...	...	...	I	A553
...	...	...	...	...	...	...	...	...	...	A353
100	97.1	68.0	42.3	30.5	23.2	16.5	...	...	WP1	A234
96.8	94.6	92.0	61.1	40.4	26.4	17.4	11.6	7.58	F12	A182
103	101	92.1	61.1	40.4	26.4	17.4	11.6	7.58	WP12	A234

(12)

**Table A-1M Basic Allowable Stresses in Tension for Metals (Metric)<sup>1</sup> (Cont'd)**  
 Numbers in Parentheses Refer to Notes for Appendix A Tables; Specifications Are ASTM Unless Otherwise Indicated

Nominal Composition	Product Form	Spec. No.	Type/Grade	UNS No.	Class/Condition/ Temper	Size, mm	P-No. (5)	Notes
1¼Cr-½Mo	Forgings & fittings	A182	F11	K11597	1	...	4	(2)(9)
1¼Cr-½Mo	Forgings & fittings	A234	WP11	K11597	1	...	4	(2)
2¼Cr-1Mo	Forgings & fittings	A182	F22	K21590	1	...	5A	(2)(9)(72)(75)
2¼Cr-1Mo	Forgings & fittings	A234	WP22	K21590	1	...	5A	(2)(72)
5Cr-½Mo	Forgings & fittings	A234	WP5	K41545	...	...	5B	(2)
9Cr-1Mo	Forgings & fittings	A234	WP9	K90941	...	...	5B	(2)
3½Ni	Forgings & fittings	A420	WPL3	K31918	...	...	9B	(2)
3½Ni	Forgings & fittings	A350	LF3	K32025	...	...	9B	(2)(9)
½Cr-½Mo	Forgings & fittings	A182	F2	K12122	...	...	3	(2)(9)
C-½Mo	Forgings & fittings	A182	F1	K12822	...	...	3	(2)(9)(58)
1Cr-½Mo	Forgings & fittings	A182	F12	K11564	2	...	4	(2)(9)
1Cr-½Mo	Forgings & fittings	A234	WP12	K12062	2	...	4	(2)
1¼Cr-½Mo	Forgings & fittings	A182	F11	K11572	2	...	4	(2)(9)
1¼Cr-½Mo	Forgings & fittings	A234	WP11	K11572	2	...	4	(2)
5Cr-½Mo	Forgings & fittings	A182	F5	K41545	...	...	5B	(2)(9)
3Cr-1Mo	Forgings & fittings	A182	F21	K31545	...	...	5A	(2)(9)
2¼Cr-1Mo	Forgings & fittings	A182	F22	K21590	3	...	5A	(2)(9)(72)
2¼Cr-1Mo	Forgings & fittings	A234	WP22	K21590	3	...	5A	(2)(72)
9Cr-1Mo	Forgings & fittings	A182	F9	K90941	...	...	5B	(2)(9)
9Cr-1Mo-V	Forgings & fittings	A182	F91	K90901	...	≤ 75	15E	(2)
9Cr-1Mo-V	Forgings & fittings	A234	WP91	K90901	...	≤ 75	15E	(2)
5Cr-½Mo	Forgings & fittings	A182	F5a	K42544	...	...	5B	(2)(9)
9Ni	Forgings & fittings	A420	WPL8	K81340	...	...	11A	(2)(47)
C-½Mo	Castings	A352	LC1	J12522	...	...	3	(2)(9)(58)
C-½Mo	Castings	A217	WC1	J12524	...	...	3	(2)(9)(58)
2½Ni	Castings	A352	LC2	J22500	...	...	9A	(2)(9)
3½Ni	Castings	A352	LC3	J31550	...	...	9B	(2)(9)

**Table A-1M Basic Allowable Stresses in Tension for Metals (Metric)<sup>1</sup> (Cont'd)**  
 Numbers in Parentheses Refer to Notes for Appendix A Tables; Specifications Are ASTM Unless Otherwise Indicated

Min. Temp., °C (6)	Min. Tensile Strength, MPa	Min. Yield Strength, MPa	Max. Use Temp., °C	Basic Allowable Stress, S, MPa (1), at Metal Temperature, °C							Type/Grade	Spec. No.
				40	65	100	125	150	175	200		
-30	414	207	649	138	131	126	124	121	119	116	F11	A182
-30	414	207	649	138	131	126	124	121	119	116	WP11	A234
-30	414	207	649	138	132	128	126	125	124	124	F22	A182
-30	414	207	649	138	132	128	126	125	124	124	WP22	A234
-30	414	207	649	138	129	124	122	120	119	119	WP5	A234
-30	414	207	649	138	129	124	122	120	119	119	WP9	A234
-100	448	241	93	149	149	147	...	...	...	...	WPL3	A420
-100	483	259	93	161	161	157	...	...	...	...	LF3	A350
-30	483	276	538	161	161	161	161	161	161	161	F2	A182
-30	483	276	593	161	161	161	161	161	161	161	F1	A182
-30	483	276	649	161	161	157	155	155	153	150	F12	A182
-30	483	276	649	161	161	157	155	155	153	150	WP12	A234
-30	483	276	649	161	161	161	161	161	158	155	F11	A182
-30	483	276	649	161	161	161	161	161	158	155	WP11	A234
-30	483	276	649	161	161	160	157	156	155	155	F5	A182
-30	517	310	649	172	172	172	169	168	167	166	F21	A182
-30	517	310	649	172	172	171	168	167	167	167	F22	A182
-30	517	310	649	172	172	171	168	167	167	167	WP22	A234
-30	586	379	649	195	195	194	191	189	188	188	F9	A182
-30	586	414	649	195	195	195	195	195	195	195	F91	A182
-30	586	414	649	195	195	195	195	195	195	195	WP91	A234
-30	621	448	649	207	207	205	202	200	199	199	F5a	A182
-195	689	517	93	230	230	230	...	...	...	...	WPL8	A420
-60	448	241	371	149	149	149	148	145	143	140	LC1	A352
-30	448	241	593	149	149	149	148	145	143	140	WC1	A217
-75	483	276	343	161	161	161	161	161	160	158	LC2	A352
-100	483	276	343	161	161	161	161	161	160	158	LC3	A352

(12)

**Table A-1M Basic Allowable Stresses in Tension for Metals (Metric)<sup>1</sup> (Cont'd)**  
 Numbers in Parentheses Refer to Notes for Appendix A Tables; Specifications Are ASTM Unless Otherwise Indicated

Spec. No.	Type/Grade	Basic Allowable Stress, <i>S</i> , MPa (1), at Metal Temperature, °C								
		225	250	275	300	325	350	375	400	425
A182	F11	115	113	111	109	107	106	104	102	99.6
A234	WP11	115	113	111	109	107	106	104	102	99.6
A182	F22	124	124	124	124	124	124	124	123	122
A234	WP22	124	124	124	124	124	124	124	123	122
A234	WP5	118	118	117	117	116	114	112	110	106
A234	WP9	118	118	117	117	116	114	112	110	106
A420	WPL3	...	...	...	...	...	...	...	...	...
A350	LF3	...	...	...	...	...	...	...	...	...
A182	F2	158	156	154	152	149	147	144	141	138
A182	F1	158	156	154	152	149	147	144	141	138
A182	F12	147	145	143	141	139	138	136	134	132
A234	WP12	147	145	143	141	139	138	136	134	132
A182	F11	153	150	148	146	143	141	138	136	133
A234	WP11	153	150	148	146	143	141	138	136	133
A182	F5	155	154	154	153	151	149	146	142	137
A182	F21	166	165	165	164	164	162	161	158	155
A182	F22	167	167	167	167	167	167	167	167	167
A234	WP22	167	167	167	167	167	167	167	167	167
A182	F9	188	187	187	186	184	181	177	172	166
A182	F91	195	194	193	192	190	187	183	178	172
A234	WP91	195	194	193	192	190	187	183	178	172
A182	F5a	199	198	198	196	194	191	187	182	176
A420	WPL8	...	...	...	...	...	...	...	...	...
A352	LC1	138	137	135	133	131	129	127	...	...
A217	WC1	138	137	135	133	131	129	126	123	120
A352	LC2	155	151	147	142	136	131	...	...	...
A352	LC3	155	151	147	142	136	131	...	...	...

**Table A-1M Basic Allowable Stresses in Tension for Metals (Metric)<sup>1</sup> (Cont'd)**  
 Numbers in Parentheses Refer to Notes for Appendix A Tables; Specifications Are ASTM Unless Otherwise Indicated

Basic Allowable Stress, <i>S</i> , MPa (1), at Metal Temperature, °C										
450	475	500	525	550	575	600	625	650	Type/ Grade	Spec. No.
97.2	94.5	73.7	52.0	36.3	25.2	17.6	12.3	8.27	F11	A182
97.2	94.5	73.7	52.0	36.3	25.2	17.6	12.3	8.27	WP11	A234
121	99.6	80.9	63.3	47.5	34.2	23.5	15.3	9.65	F22	A182
121	99.6	80.9	63.3	47.5	34.2	23.5	15.3	9.65	WP22	A234
103	80.6	61.7	46.4	34.7	25.5	17.8	11.4	6.89	WP5	A234
103	98.3	87.5	61.2	42.9	29.9	20.6	14.4	10.3	WP9	A234
...	...	...	...	...	...	...	...	...	WPL3	A420
...	...	...	...	...	...	...	...	...	LF3	A350
134	129	93.5	49.9	40.7	...	...	...	...	F2	A182
134	109	68.0	42.3	30.5	23.2	16.5	...	...	F1	A182
129	126	92.1	61.1	40.4	26.4	17.4	11.6	7.58	F12	A182
129	126	92.1	61.1	40.4	26.4	17.4	11.6	7.58	WP12	A234
130	104	73.7	52.0	36.3	25.2	17.6	12.3	8.27	F11	A182
130	104	73.7	52.0	36.3	25.2	17.6	12.3	8.27	WP11	A234
131	80.6	61.7	46.4	34.7	25.5	17.8	11.4	6.89	F5	A182
152	98.2	73.5	54.7	40.6	29.2	20.6	15.2	8.96	F21	A182
167	119	88.4	64.0	44.6	30.0	19.7	12.8	8.27	F22	A182
167	119	88.4	64.0	44.6	30.0	19.7	12.8	8.27	WP22	A234
159	151	83.2	60.2	42.9	29.9	20.6	14.4	10.3	F9	A182
165	156	147	137	115	87.0	64.7	45.1	29.6	F91	A182
165	156	147	137	115	87.0	64.7	45.1	29.6	WP91	A234
169	80.6	61.7	46.4	34.7	25.5	17.8	11.4	6.89	F5a	A182
...	...	...	...	...	...	...	...	...	WPL8	A420
...	...	...	...	...	...	...	...	...	LC1	A352
117	109	68.0	42.3	30.5	23.2	16.5	...	...	WC1	A217
...	...	...	...	...	...	...	...	...	LC2	A352
...	...	...	...	...	...	...	...	...	LC3	A352

(12)

**Table A-1M Basic Allowable Stresses in Tension for Metals (Metric)<sup>1</sup> (Cont'd)**  
 Numbers in Parentheses Refer to Notes for Appendix A Tables; Specifications Are ASTM Unless Otherwise Indicated

Nominal Composition	Product Form	Spec. No.	Type/Grade	UNS No.	Class/Condition/ Temper	Size, mm	P-No. (5)	Notes
Ni-Cr-1/2Mo	Castings	A217	WC4	J12082	...	...	4	(2)(9)
Ni-Cr-1Mo	Castings	A217	WC5	J22000	...	...	4	(2)(9)
1 1/4Cr-1/2Mo	Castings	A217	WC6	J12072	...	...	4	(2)(9)
2 1/4Cr-1Mo	Castings	A217	WC9	J21890	...	...	5A	(2)(9)
5Cr-1/2Mo	Castings	A217	C5	J42045	...	...	5B	(2)(9)
9Cr-1Mo	Castings	A217	C12	J82090	...	...	5B	(2)(9)



**Table A-1M Basic Allowable Stresses in Tension for Metals (Metric)<sup>1</sup> (Cont'd)**  
 Numbers in Parentheses Refer to Notes for Appendix A Tables; Specifications Are ASTM Unless Otherwise Indicated

Min. Temp., °C (6)	Min. Tensile Strength, MPa	Min. Yield Strength, MPa	Max. Use Temp., °C	Basic Allowable Stress, S, MPa (1), at Metal Temperature, °C							Type/Grade	Spec. No.
				40	65	100	125	150	175	200		
-30	483	276	538	161	161	161	161	161	161	161	WC4	A217
-30	483	276	593	161	161	161	161	161	161	161	WC5	A217
-30	483	276	649	161	161	161	161	161	158	155	WC6	A217
-30	483	276	649	161	161	160	157	156	156	156	WC9	A217
-30	621	414	649	207	207	205	202	200	199	199	C5	A217
-30	621	414	649	207	207	205	202	200	199	199	C12	A217

(12)

**Table A-1M Basic Allowable Stresses in Tension for Metals (Metric)<sup>1</sup> (Cont'd)**  
 Numbers in Parentheses Refer to Notes for Appendix A Tables; Specifications Are ASTM Unless Otherwise Indicated

Spec. No.	Type/ Grade	Basic Allowable Stress, <i>S</i> , MPa (1), at Metal Temperature, °C								
		225	250	275	300	325	350	375	400	425
A217	WC4	161	159	158	156	154	152	149	146	142
A217	WC5	161	159	158	156	154	152	149	146	142
A217	WC6	153	150	148	146	143	141	138	136	133
A217	WC9	156	156	156	156	156	156	156	156	156
A217	C5	199	198	198	196	194	191	187	182	176
A217	C12	199	198	198	196	194	191	187	182	176

**Table A-1M Basic Allowable Stresses in Tension for Metals (Metric)<sup>1</sup> (Cont'd)**  
 Numbers in Parentheses Refer to Notes for Appendix A Tables; Specifications Are ASTM Unless Otherwise Indicated

Basic Allowable Stress, <i>S</i> , MPa (1), at Metal Temperature, °C										
450	475	500	525	550	575	600	625	650	Type/ Grade	Spec. No.
137	131	<b>74.4</b>	<b>49.9</b>	<b>40.7</b>	...	...	...	...	WC4	A217
137	131	<b>74.4</b>	<b>49.9</b>	<b>34.3</b>	<b>23.2</b>	<b>16.5</b>	...	...	WC5	A217
130	<b>104</b>	<b>73.7</b>	<b>52.0</b>	<b>36.3</b>	<b>25.2</b>	<b>17.6</b>	<b>12.3</b>	<b>8.27</b>	WC6	A217
<i>156</i>	<b>119</b>	<b>88.4</b>	<b>64.0</b>	<b>44.6</b>	<b>30.0</b>	<b>19.7</b>	<b>12.8</b>	<b>8.27</b>	WC9	A217
<i>169</i>	<b>80.6</b>	<b>61.7</b>	<b>46.4</b>	<b>34.7</b>	<b>25.5</b>	<b>17.8</b>	<b>11.4</b>	<b>6.89</b>	C5	A217
<i>169</i>	<i>160</i>	<b>83.2</b>	<b>60.2</b>	<b>42.9</b>	<b>29.9</b>	<b>20.6</b>	<b>14.4</b>	<b>10.3</b>	C12	A217

(12)

**Table A-1M Basic Allowable Stresses in Tension for Metals (Metric)<sup>1</sup> (Cont'd)**  
 Numbers in Parentheses Refer to Notes for Appendix A Tables; Specifications Are ASTM Unless Otherwise Indicated

Nominal Composition	Product Form	Spec. No.	Type/ Grade	UNS No.	Class/ Condition/ Temper	Size, mm	P-No. (5)
18Cr-10Ni-Ti	Smls. pipe	A312	TP321	S32100	...	> 10	8
18Cr-10Ni-Ti	Pipe	A376	TP321	S32100	...	> 10	8
18Cr-8Ni	Tube	A213	TP304L	S30403	...	...	8
18Cr-8Ni	Tube	A269	TP304L	S30403	...	...	8
18Cr-8Ni	Pipe	A312	TP304L	S30403	...	...	8
18Cr-8Ni	Pipe	A358	304L	S30403	...	...	8
16Cr-12Ni-2Mo	Tube	A213	TP316L	S31603	...	...	8
16Cr-12Ni-2Mo	Tube	A269	TP316L	S31603	...	...	8
16Cr-12Ni-2Mo	Pipe	A312	TP316L	S31603	...	...	8
16Cr-12Ni-2Mo	Pipe	A358	316L	S31603	...	...	8
18Cr-10Ni-Ti	Smls. pipe	A312	TP321	S32100	...	> 10	8
18Cr-10Ni-Ti	Pipe	A376	TP321	S32100	...	> 10	8
18Cr-10Ni-Ti	Smls. pipe	A312	TP321H	S32109	...	> 10	8
18Cr-10Ni-Ti	Pipe	A376	TP321H	S32109	...	> 10	8
23Cr-13Ni	Pipes & tubes	A451	CPH8	J93400	...	...	8
25Cr-20Ni	Pipes & tubes	A451	CPK20	J94202	...	...	8
11Cr-Ti	Tube	A268	TP409	S40900	...	...	7
18Cr-Ti	Tube	A268	TP430Ti	S43036	...	...	7
15Cr-13Ni-2Mo-Cb	Pipes & tubes	A451	CPF10MC	...	...	...	8
16Cr-8Ni-2Mo	Pipe	A376	16-8-2H	S16800	...	...	8
12Cr-Al	Tube	A268	TP405	S40500	...	...	7
13Cr	Tube	A268	TP410	S41000	...	...	6
16Cr	Tube	A268	TP430	S43000	...	...	7
18Cr-13Ni-3Mo	Pipe	A312	TP317L	S31703	...	...	8
25Cr-20Ni	Pipe	A312	TP310	...	...	...	8
25Cr-20Ni	Pipes & tubes	A358	310S	S31008	...	...	8
25Cr-20Ni	Pipe	A409	TP310	S31000	...	...	8
18Cr-10Ni-Ti	Smls. & wld. pipe	A312	TP321	S32100	...	≤ 10	8
18Cr-10Ni-Ti	Pipe	A358	321	S32100	...	...	8
18Cr-10Ni-Ti	Pipe	A376	TP321	S32100	...	≤ 10	8
18Cr-10Ni-Ti	Pipe	A409	TP321	S32100	...	...	8
23Cr-12Ni	Pipe	A312	TP309	...	...	...	8
23Cr-12Ni	Pipes & tubes	A358	309S	S30908	...	...	8
23Cr-12Ni	Pipe	A409	TP309	S30900	...	...	8

**Table A-1M Basic Allowable Stresses in Tension for Metals (Metric)<sup>1</sup> (Cont'd)**  
 Numbers in Parentheses Refer to Notes for Appendix A Tables; Specifications Are ASTM Unless Otherwise Indicated

Notes	Min. Temp., °C (6)	Min. Tensile Strength, MPa	Min. Yield Strength, MPa	Max. Use Temp., °C	Basic Allowable Stress, S, MPa (1), at Metal Temperature, °C					Type/Grade	Spec. No.
					40	65	100	125	150		
(2)(3)(4b)(30)(36)	-255	483	172	816	115	115	115	115	115	TP321	A312
(2)(3)(4b)(30)(36)	-255	483	172	816	115	115	115	115	115	TP321	A376
(2)(3)(4b)(14)(36)	-255	483	172	816	115	115	115	115	115	TP304L	A213
(2)(3)(4b)(14)(36)	-255	483	172	816	115	115	115	115	115	TP304L	A269
(2)(3)(4b)	-255	483	172	816	115	115	115	115	115	TP304L	A312
(2)(3)(4b)(36)	-255	483	172	816	115	115	115	115	115	304L	A358
(2)(3)(4b)(14)(36)	-255	483	172	816	115	115	115	115	115	TP316L	A213
(2)(3)(4b)(14)(36)	-255	483	172	816	115	115	115	115	115	TP316L	A269
(2)(3)(4b)	-255	483	172	816	115	115	115	115	115	TP316L	A312
(2)(3)(4b)(36)	-255	483	172	816	115	115	115	115	115	316L	A358
(2)(3)(4b)(28)(30)(36)	-255	483	172	816	115	115	115	115	115	TP321	A312
(2)(3)(4b)(28)(30)(36)	-255	483	172	816	115	115	115	115	115	TP321	A376
(2)(3)(4b)(30)(36)	-200	483	172	816	115	115	115	115	115	TP321H	A312
(2)(3)(4b)	-200	483	172	816	115	115	115	115	115	TP321H	A376
(2)(3)(4b)(26)(28)(35)	-200	448	193	816	129	129	129	129	127	CPH8	A451
(2)(3)(4b)(12)(28)(35)(39)	-200	448	193	816	129	129	129	129	127	CPK20	A451
(2)(3)(4b)(35)	-30	414	207	40	138	...	...	...	...	TP409	A268
(2)(3)(4b)(35)(49)	-30	414	276	40	138	...	...	...	...	TP430Ti	A268
(2)(3)(4b)(28)	-200	483	207	40	138	...	...	...	...	CPF10MC	A451
(2)(3)(4b)(26)(31)(35)	-200	517	207	40	138	...	...	...	...	16-8-2H	A376
(2)(3)(4b)(35)	-30	414	207	538	138	138	138	137	135	TP405	A268
(2)(3)(4b)(35)	-30	414	207	649	138	138	138	137	135	TP410	A268
(2)(3)(4b)(35)(49)	-30	414	241	649	138	138	138	137	135	TP430	A268
(2)(3)(4b)	-200	517	207	454	138	138	138	138	138	TP317L	A312
(2)(3)(4b)(28)(35)(39)	-200	517	207	816	138	138	138	138	138	TP310	A312
(2)(3)(4b)(28)(31)(35)(36)	-200	517	207	816	138	138	138	138	138	310S	A358
(2)(3)(4b)(28)(31)(35)(36)(39)	-200	517	207	816	138	138	138	138	138	TP310	A409
(2)(3)(4b)(30)	-255	517	207	816	138	138	138	138	138	TP321	A312
(2)(3)(4b)(30)(36)	-255	517	207	816	138	138	138	138	138	321	A358
(2)(3)(4b)(30)(36)	-255	517	207	816	138	138	138	138	138	TP321	A376
(2)(3)(4b)(30)(36)	-255	517	207	816	138	138	138	138	138	TP321	A409
(2)(3)(4b)(28)(35)(39)	-200	517	207	816	138	138	138	138	138	TP309	A312
(2)(3)(4b)(28)(31)(35)(36)	-200	517	207	816	138	138	138	138	138	309S	A358
(2)(3)(4b)(28)(31)(35)(36)(39)	-200	517	207	816	138	138	138	138	138	TP309	A409

(12)

**Table A-1M Basic Allowable Stresses in Tension for Metals (Metric)<sup>1</sup> (Cont'd)**  
 Numbers in Parentheses Refer to Notes for Appendix A Tables; Specifications Are ASTM Unless Otherwise Indicated

		Basic Allowable Stress, S, MPa (1), at Metal Temperature, °C														
Spec. No.	Type/Grade	175	200	225	250	275	300	325	350	375	400	425	450	475	500	525
A312	TP321	115	115	115	112	109	107	104	102	100	98.8	97.5	96.3	95.3	94.4	93.6
A376	TP321	115	115	115	112	109	107	104	102	100	98.8	97.5	96.3	95.3	94.4	93.6
A213	TP304L	114	110	106	103	99.9	97.7	95.7	94.1	92.6	91.3	90.0	88.7	87.3	85.6	83.7
A269	TP304L	114	110	106	103	99.9	97.7	95.7	94.1	92.6	91.3	90.0	88.7	87.3	85.6	83.7
A312	TP304L	114	110	106	103	99.9	97.7	95.7	94.1	92.6	91.3	90.0	88.7	87.3	85.6	83.7
A358	304L	114	110	106	103	99.9	97.7	95.7	94.1	92.6	91.3	90.0	88.7	87.3	85.6	83.7
A213	TP316L	113	109	106	103	100	98.1	96.1	94.3	92.6	90.9	89.3	87.6	85.9	84.2	82.5
A269	TP316L	113	109	106	103	100	98.1	96.1	94.3	92.6	90.9	89.3	87.6	85.9	84.2	82.5
A312	TP316L	113	109	106	103	100	98.1	96.1	94.3	92.6	90.9	89.3	87.6	85.9	84.2	82.5
A358	316L	113	109	106	103	100	98.1	96.1	94.3	92.6	90.9	89.3	87.6	85.9	84.2	82.5
A312	TP321	115	115	115	112	109	107	104	102	100	98.8	97.5	96.3	95.3	94.4	93.6
A376	TP321	115	115	115	112	109	107	104	102	100	98.8	97.5	96.3	95.3	94.4	93.6
A312	TP321H	115	115	115	112	109	107	104	102	100	98.8	97.5	96.3	95.3	94.4	93.6
A376	TP321H	115	115	115	112	109	107	104	102	100	98.8	97.5	96.3	95.3	94.4	93.6
A451	CPH8	125	124	124	123	121	119	117	115	112	109	106	103	100	96.9	93.7
A451	CPK20	125	124	124	123	121	119	117	115	112	109	106	103	100	96.9	93.7
A268	TP409	...	...	...	...	...	...	...	...	...	...	...	...	...	...	...
A268	TP430Ti	...	...	...	...	...	...	...	...	...	...	...	...	...	...	...
A451	CPF10MC	...	...	...	...	...	...	...	...	...	...	...	...	...	...	...
A376	16-8-2H	...	...	...	...	...	...	...	...	...	...	...	...	...	...	...
A268	TP405	134	133	132	131	130	129	127	124	121	118	114	109	103	<b>70.1</b>	<b>38.8</b>
A268	TP410	134	133	132	131	130	129	127	124	121	118	114	109	<b>92.5</b>	<b>68.4</b>	<b>51.1</b>
A268	TP430	134	133	132	131	130	129	127	124	121	118	114	109	<b>88.7</b>	<b>69.8</b>	<b>52.6</b>
A312	TP317L	136	131	127	123	120	118	115	113	111	109	107	105	103	...	...
A312	TP310	138	138	137	134	131	129	127	125	123	122	120	119	117	116	<b>84.9</b>
A358	310S	138	138	137	134	131	129	127	125	123	122	120	119	117	116	<b>84.9</b>
A409	TP310	138	138	137	134	131	129	127	125	123	122	120	119	117	116	<b>84.9</b>
A312	TP321	138	138	138	135	131	128	125	123	120	119	117	116	114	113	112
A358	321	138	138	138	135	131	128	125	123	120	119	117	116	114	113	112
A376	TP321	138	138	138	135	131	128	125	123	120	119	117	116	114	113	112
A409	TP321	138	138	138	135	131	128	125	123	120	119	117	116	114	113	112
A312	TP309	138	138	138	135	133	131	129	127	125	124	122	121	119	117	<b>108</b>
A358	309S	138	138	138	135	133	131	129	127	125	124	122	121	119	117	<b>108</b>
A409	TP309	138	138	138	135	133	131	129	127	125	124	122	121	119	117	<b>108</b>

**Table A-1M Basic Allowable Stresses in Tension for Metals (Metric)<sup>1</sup> (Cont'd)**  
 Numbers in Parentheses Refer to Notes for Appendix A Tables; Specifications Are ASTM Unless Otherwise Indicated

Basic Allowable Stress, S, MPa (1), at Metal Temperature, °C													Type/ Grade	Spec. No.
550	575	600	625	650	675	700	725	750	775	800	825			
88.7	59.2	44.0	32.9	24.5	18.3	12.5	8.49	6.19	4.28	2.75	2.07	TP321	A312	
88.7	59.2	44.0	32.9	24.5	18.3	12.5	8.49	6.19	4.28	2.75	2.07	TP321	A376	
81.4	40.4	33.2	26.7	21.9	18.2	15.0	12.4	8.87	7.20	6.58	6.21	TP304L	A213	
81.4	40.4	33.2	26.7	21.9	18.2	15.0	12.4	8.87	7.20	6.58	6.21	TP304L	A269	
81.4	40.4	33.2	26.7	21.9	18.2	15.0	12.4	8.87	7.20	6.58	6.21	TP304L	A312	
81.4	40.4	33.2	26.7	21.9	18.2	15.0	12.4	8.87	7.20	6.58	6.21	304L	A358	
80.8	79.3	77.9	58.0	43.6	33.0	25.3	18.8	14.0	10.4	7.99	6.89	TP316L	A213	
80.8	79.3	77.9	58.0	43.6	33.0	25.3	18.8	14.0	10.4	7.99	6.89	TP316L	A269	
80.8	79.3	77.9	58.0	43.6	33.0	25.3	18.8	14.0	10.4	7.99	6.89	TP316L	A312	
80.8	73.0	67.9	58.0	43.6	33.0	25.3	18.8	14.0	10.4	7.99	6.89	316L	A358	
92.7	76.5	58.7	46.0	36.8	28.7	23.0	18.4	14.5	11.5	9.02	7.58	TP321	A312	
92.7	76.5	58.7	46.0	36.8	28.7	23.0	18.4	14.5	11.5	9.02	7.58	TP321	A376	
92.7	76.5	58.7	46.0	36.8	28.7	23.0	18.4	14.5	11.5	9.02	7.58	TP321H	A312	
92.7	76.5	58.7	46.0	36.8	28.7	23.0	18.4	14.5	11.5	9.02	7.58	TP321H	A376	
68.1	53.5	42.1	33.2	25.9	20.3	16.5	13.2	10.1	7.35	5.89	5.52	CPH8	A451	
73.2	64.4	56.5	49.0	41.0	33.5	25.4	18.3	12.8	9.01	6.59	5.52	CPK20	A451	
...	...	...	...	...	...	...	...	...	...	...	...	TP409	A268	
...	...	...	...	...	...	...	...	...	...	...	...	TP430Ti	A268	
...	...	...	...	...	...	...	...	...	...	...	...	CPF10MC	A451	
...	...	...	...	...	...	...	...	...	...	...	...	16-8-2H	A376	
27.6	...	...	...	...	...	...	...	...	...	...	...	TP405	A268	
37.4	26.3	17.8	11.4	6.89	...	...	...	...	...	...	...	TP410	A268	
38.1	27.6	20.6	15.9	12.4	...	...	...	...	...	...	...	TP430	A268	
...	...	...	...	...	...	...	...	...	...	...	...	TP317L	A312	
59.0	43.5	31.9	23.6	16.9	10.7	6.10	3.90	2.99	2.36	1.73	1.38	TP310	A312	
59.0	43.5	31.9	23.6	16.9	10.7	6.10	3.90	2.99	2.36	1.73	1.38	310S	A358	
59.0	43.5	31.9	23.6	16.9	10.7	6.10	3.90	2.99	2.36	1.73	1.38	TP310	A409	
88.7	59.2	44.0	32.9	24.5	18.3	12.5	8.49	6.19	4.28	2.75	2.07	TP321	A312	
88.7	59.2	44.0	32.9	24.5	18.3	12.5	8.49	6.19	4.28	2.75	2.07	321	A358	
89.9	59.2	44.0	32.9	24.5	18.3	12.5	8.49	6.19	4.28	2.75	2.07	TP321	A376	
88.7	59.2	44.0	32.9	24.5	18.3	12.5	8.49	6.19	4.28	2.75	2.07	TP321	A409	
83.7	64.0	48.5	36.3	27.3	21.0	15.9	12.5	9.87	7.65	5.97	5.17	TP309	A312	
83.7	64.0	48.5	36.3	27.3	21.0	15.9	12.5	9.87	7.65	5.97	5.17	309S	A358	
83.7	64.0	48.5	36.3	27.3	21.0	15.9	12.5	9.87	7.65	5.97	5.17	TP309	A409	

(12)

**Table A-1M Basic Allowable Stresses in Tension for Metals (Metric)<sup>1</sup> (Cont'd)**  
 Numbers in Parentheses Refer to Notes for Appendix A Tables; Specifications Are ASTM Unless Otherwise Indicated

Nominal Composition	Product Form	Spec. No.	Type/ Grade	UNS No.	Class/ Condition/ Temper	Size, mm	P-No. (5)
18Cr-8Ni	Pipes & tubes	A451	CPF8	J92600	...	...	8
18Cr-10Ni-Cb	Pipe	A312	TP347	S34700	...	...	8
18Cr-10Ni-Cb	Pipe	A358	347	S34700	...	...	8
18Cr-10Ni-Cb	Pipe	A376	TP347	S34700	...	...	8
18Cr-10Ni-Cb	Pipe	A409	TP347	S34700	...	...	8
18Cr-10Ni-Cb	Pipe	A312	TP348	S34800	...	...	8
18Cr-10Ni-Cb	Pipe	A358	348	S34800	...	...	8
18Cr-10Ni-Cb	Pipe	A376	TP348	S34800	...	...	8
18Cr-10Ni-Cb	Pipe	A409	TP348	S34800	...	...	8
23Cr-13Ni	Pipes & tubes	A451	CPH10	J93402	...	...	8
23Cr-13Ni	Pipes & tubes	A451	CPH20	J93402	...	...	8
25Cr-20Ni	Pipe	A312	TP310	...	...	...	8
25Cr-20Ni	Pipe	A358	310S	S31008	...	...	8
18Cr-10Ni-Cb	Pipes & tubes	A451	CPF8C	J92710	...	...	8
18Cr-10Ni-Ti	Smls. & wld. pipe	A312	TP321	S32100	...	≤ 10	8
18Cr-10Ni-Ti	Pipe	A358	321	S32100	...	...	8
18Cr-10Ni-Ti	Pipe	A376	TP321	S32100	...	≤ 10	8
18Cr-10Ni-Ti	Pipe	A409	TP321	S32100	...	...	8
18Cr-10Ni-Ti	Pipe	A376	TP321H	S32109	...	≤ 10	8
18Cr-10Ni-Ti	Smls. & wld. pipe	A312	TP321H	S32109	...	≤ 10	8
16Cr-12Ni-Mo	Tube	A213	TP316	S31600	...	...	8
16Cr-12Ni-Mo	Tube	A269	TP316	S31600	...	...	8
16Cr-12Ni-2Mo	Pipe	A312	TP316	S31600	...	...	8
16Cr-12Ni-2Mo	Pipe	A358	316	S31600	...	...	8
16Cr-12Ni-2Mo	Pipe	A376	TP316	S31600	...	...	8
16Cr-12Ni-2Mo	Pipe	A409	TP316	S31600	...	...	8
18Cr-3Ni-3Mo	Pipe	A312	TP317	S31700	...	...	8
18Cr-3Ni-3Mo	Pipe	A409	TP317	S31700	...	...	8
16Cr-12Ni-2Mo	Pipe	A376	TP316H	S31609	...	...	8
16Cr-12Ni-2Mo	Pipe	A312	TP316H	S31609	...	...	8



**Table A-1M Basic Allowable Stresses in Tension for Metals (Metric)<sup>1</sup> (Cont'd)**  
 Numbers in Parentheses Refer to Notes for Appendix A Tables; Specifications Are ASTM Unless Otherwise Indicated

Notes	Basic Allowable Stress, S, MPa (1), at Metal Temperature, °C										Type/ Grade	Spec. No.
	Min. Temp., °C (6)	Min. Tensile Strength, MPa	Min. Yield Strength, MPa	Max. Use Temp., °C								
					40	65	100	125	150			
(2)(3)(4b)(26)(28)	-255	483	207	816	138	138	138	138	138	138	CPF8	A451
(2)(3)(4b)	-255	517	207	816	138	138	138	138	138	138	TP347	A312
(2)(3)(4b)(30)(36)	-255	517	207	816	138	138	138	138	138	138	347	A358
(2)(3)(4b)(30)(36)	-255	517	207	816	138	138	138	138	138	138	TP347	A376
(2)(3)(4b)(30)(36)	-255	517	207	816	138	138	138	138	138	138	TP347	A409
(2)(3)(4b)	-200	517	207	816	138	138	138	138	138	138	TP348	A312
(2)(3)(4b)(30)(36)	-200	517	207	816	138	138	138	138	138	138	348	A358
(2)(3)(4b)(30)(36)	-200	517	207	816	138	138	138	138	138	138	TP348	A376
(2)(3)(4b)(30)(36)	-200	517	207	816	138	138	138	138	138	138	TP348	A409
(2)(3)(4b)(12)(14)(28)(35)(39)	-200	483	207	816	138	138	138	138	137	137	CPH10	A451
(2)(3)(4b)(12)(14)(28)(35)(39)	-200	483	207	816	138	138	138	138	137	137	CPH20	A451
(2)(3)(4b)(28)(29)(35)(39)	-200	517	207	816	138	138	138	138	138	138	TP310	A312
(2)(3)(4b)(28)(29)(31)(35)(36)	-200	517	207	816	138	138	138	138	138	138	310S	A358
(2)(3)(4b)(28)	-200	483	207	816	138	138	138	138	138	138	CPF8C	A451
(2)(3)(4b)(28)(30)	-255	517	207	816	138	138	138	138	138	138	TP321	A312
(2)(3)(4b)(28)(30)(36)	-255	517	207	816	138	138	138	138	138	138	321	A358
(2)(3)(4b)(28)(30)(36)	-255	517	207	816	138	138	138	138	138	138	TP321	A376
(2)(3)(4b)(28)(30)(36)	-255	517	207	816	138	138	138	138	138	138	TP321	A409
(2)(3)(4b)(30)(36)	-200	517	207	816	138	138	138	138	138	138	TP321H	A376
(2)(3)(4b)	-200	517	207	816	138	138	138	138	138	138	TP321H	A312
(2)(3)(4b)(14)(26)(28)(31)(36)	-255	517	207	816	138	138	138	138	138	138	TP316	A213
(2)(3)(4b)(14)(26)(28)(31)(36)	-255	517	207	816	138	138	138	138	138	138	TP316	A269
(2)(3)(4b)(26)(28)	-255	517	207	816	138	138	138	138	138	138	TP316	A312
(2)(3)(4b)(26)(28)(31)(36)	-255	517	207	816	138	138	138	138	138	138	316	A358
(2)(3)(4b)(26)(28)(31)(36)	-255	517	207	816	138	138	138	138	138	138	TP316	A376
(2)(3)(4b)(26)(28)(31)(36)	-255	517	207	816	138	138	138	138	138	138	TP316	A409
(2)(3)(4b)(26)(28)	-200	517	207	816	138	138	138	138	138	138	TP317	A312
(2)(3)(4b)(26)(28)(31)(36)	-200	517	207	816	138	138	138	138	138	138	TP317	A409
(2)(3)(4b)(26)(31)(36)	-200	517	207	816	138	138	138	138	138	138	TP316H	A376
(2)(3)(4b)(26)	-200	517	207	816	138	138	138	138	138	138	TP316H	A312

(12)

**Table A-1M Basic Allowable Stresses in Tension for Metals (Metric)<sup>1</sup> (Cont'd)**  
 Numbers in Parentheses Refer to Notes for Appendix A Tables; Specifications Are ASTM Unless Otherwise Indicated

		Basic Allowable Stress, S, MPa (1), at Metal Temperature, °C														
Spec. No.	Type/Grade	175	200	225	250	275	300	325	350	375	400	425	450	475	500	525
A451	CPF8	134	129	125	122	119	116	113	111	109	107	105	103	101	99.1	<b>94.4</b>
A312	TP347	138	138	138	138	137	135	132	130	128	127	126	126	125	125	125
A358	347	138	138	138	138	137	135	132	130	128	127	126	126	125	125	125
A376	TP347	138	138	138	138	137	135	132	130	128	127	126	126	125	125	125
A409	TP347	138	138	138	138	137	135	132	130	128	127	126	126	125	125	125
A312	TP348	138	138	138	138	137	135	132	130	128	127	126	126	125	125	125
A358	348	138	138	138	138	137	135	132	130	128	127	126	126	125	125	125
A376	TP348	138	138	138	138	137	135	132	130	128	127	126	126	125	125	125
A409	TP348	138	138	138	138	137	135	132	130	128	127	126	126	125	125	125
A451	CPH10	135	134	133	131	129	128	125	123	120	117	114	111	107	104	100
A451	CPH20	135	134	133	131	129	128	125	123	120	117	114	111	107	104	100
A312	TP310	138	138	137	134	131	129	127	125	123	122	120	119	117	116	<b>108</b>
A358	310S	138	138	137	134	131	129	127	125	123	122	120	119	117	116	<b>108</b>
A451	CPF8C	134	129	125	122	119	116	113	111	109	107	105	103	101	99.1	97.3
A312	TP321	138	138	138	135	131	128	125	123	120	119	117	116	114	113	112
A358	321	138	138	138	135	131	128	125	123	120	119	117	116	114	113	112
A376	TP321	138	138	138	135	131	128	125	123	120	119	117	116	114	113	112
A409	TP321	138	138	138	135	131	128	125	123	120	119	117	116	114	113	112
A376	TP321H	138	138	138	135	131	128	125	123	120	119	117	116	114	113	112
A312	TP321H	138	138	138	135	131	128	125	123	120	119	117	116	114	113	112
A213	TP316	138	134	129	125	122	119	116	114	112	111	110	109	108	107	106
A269	TP316	138	134	129	125	122	119	116	114	112	111	110	109	108	107	106
A312	TP316	138	134	129	125	122	119	116	114	112	111	110	109	108	107	106
A358	316	138	134	129	125	122	119	116	114	112	111	110	109	108	107	106
A376	TP316	138	134	129	125	122	119	116	114	112	111	110	109	108	107	106
A409	TP316	138	134	129	125	122	119	116	114	112	111	110	109	108	107	106
A312	TP317	138	134	129	125	122	119	116	114	112	111	110	109	108	107	106
A409	TP317	138	134	129	125	122	119	116	114	112	111	110	109	108	107	106
A376	TP316H	138	134	129	125	122	119	116	114	112	111	110	109	108	107	106
A312	TP316H	138	134	129	125	122	119	116	114	112	111	110	109	108	107	106

**Table A-1M Basic Allowable Stresses in Tension for Metals (Metric)<sup>1</sup> (Cont'd)**  
 Numbers in Parentheses Refer to Notes for Appendix A Tables; Specifications Are ASTM Unless Otherwise Indicated

(12)

Basic Allowable Stress, S, MPa (1), at Metal Temperature, °C													Type/ Grade	Spec. No.
550	575	600	625	650	675	700	725	750	775	800	825			
75.3	60.4	49.0	40.1	32.8	27.2	23.4	19.6	16.8	14.7	12.8	11.7	CPF8	A451	
97.6	75.9	57.2	40.2	30.3	23.2	16.2	11.4	8.97	7.08	5.89	5.52	TP347	A312	
97.6	75.9	57.2	40.2	30.3	23.2	16.2	11.4	8.97	7.08	5.89	5.52	347	A358	
97.6	75.9	57.2	40.2	30.3	23.2	16.2	11.4	8.97	7.08	5.89	5.52	TP347	A376	
97.6	75.9	57.2	40.2	30.3	23.2	16.2	11.4	8.97	7.08	5.89	5.52	TP347	A409	
97.6	75.9	57.2	40.2	30.3	23.2	16.2	11.4	8.97	7.08	5.89	5.52	TP348	A312	
97.6	75.9	57.2	40.2	30.3	23.2	16.2	11.4	8.97	7.08	5.89	5.52	348	A358	
97.6	75.9	57.2	40.2	30.3	23.2	16.2	11.4	8.97	7.08	5.89	5.52	TP348	A376	
97.6	75.9	57.2	40.2	30.3	23.2	16.2	11.4	8.97	7.08	5.89	5.52	TP348	A409	
68.1	53.5	42.1	33.2	25.9	20.3	16.5	13.2	10.1	7.35	5.89	5.52	CPH10	A451	
68.1	53.5	42.1	33.2	25.9	20.3	16.5	13.2	10.1	7.35	5.89	5.52	CPH20	A451	
83.7	64.0	48.5	36.3	27.3	21.0	15.9	12.5	9.87	7.65	5.97	5.17	TP310	A312	
83.7	64.0	48.5	36.3	27.3	21.0	15.9	12.5	9.87	7.65	5.97	5.17	310S	A358	
95.5	75.9	57.2	40.2	30.3	23.2	16.2	11.4	8.97	7.08	5.89	5.52	CPF8C	A451	
100	76.5	58.7	46.0	36.8	28.7	23.0	18.4	14.5	11.5	9.02	7.58	TP321	A312	
100	76.5	58.7	46.0	36.8	28.7	23.0	18.4	14.5	11.5	9.02	7.58	321	A358	
100	76.5	58.7	46.0	36.8	28.7	23.0	18.4	14.5	11.5	9.02	7.58	TP321	A376	
100	76.5	58.7	46.0	36.8	28.7	23.0	18.4	14.5	11.5	9.02	7.58	TP321	A409	
100	76.5	58.7	46.0	36.8	28.7	23.0	18.4	14.5	11.5	9.02	7.58	TP321H	A376	
100	76.5	58.7	46.0	36.8	28.7	23.0	18.4	14.5	11.5	9.02	7.58	TP321H	A312	
105	97.8	80.8	65.0	50.4	38.6	29.6	23.0	17.4	13.3	10.4	8.96	TP316	A213	
105	97.8	80.8	65.0	50.4	38.6	29.6	23.0	17.4	13.3	10.4	8.96	TP316	A269	
105	97.8	80.8	65.0	50.4	38.6	29.6	23.0	17.4	13.3	10.4	8.96	TP316	A312	
105	97.8	80.8	65.0	50.4	38.6	29.6	23.0	17.4	13.3	10.4	8.96	316	A358	
105	97.8	80.8	65.0	50.4	38.6	29.6	23.0	17.4	13.3	10.4	8.96	TP316	A376	
105	97.8	80.8	65.0	50.4	38.6	29.6	23.0	17.4	13.3	10.4	8.96	TP316	A409	
105	97.8	80.8	65.0	50.4	38.6	29.6	23.0	17.4	13.3	10.4	8.96	TP317	A312	
105	97.8	80.8	65.0	50.4	38.6	29.6	23.0	17.4	13.3	10.4	8.96	TP317	A409	
105	97.8	80.8	65.0	50.4	38.6	29.6	23.0	17.4	13.3	10.4	8.96	TP316H	A376	
105	97.8	80.8	65.0	50.4	38.6	29.6	23.0	17.4	13.3	10.4	8.96	TP316H	A312	

(12)

**Table A-1M Basic Allowable Stresses in Tension for Metals (Metric)<sup>1</sup> (Cont'd)**  
 Numbers in Parentheses Refer to Notes for Appendix A Tables; Specifications Are ASTM Unless Otherwise Indicated

Nominal Composition	Product Form	Spec. No.	Type/ Grade	UNS No.	Class/ Condition/ Temper	Size, mm	P-No. (5)
18Cr-10Ni-Cb	Pipe	A376	TP347H	S34709	...	...	8
18Cr-10Ni-Cb	Pipe	A312	TP347	S34700	...	...	8
18Cr-10Ni-Cb	Pipe	A358	347	S34700	...	...	8
18Cr-10Ni-Cb	Pipe	A376	TP347	S34700	...	...	8
18Cr-10Ni-Cb	Pipe	A409	TP347	S34700	...	...	8
18Cr-10Ni-Cb	Pipe	A312	TP348	S34800	...	...	8
18Cr-10Ni-Cb	Pipe	A358	348	S34800	...	...	8
18Cr-10Ni-Cb	Pipe	A376	TP348	S34800	...	...	8
18Cr-10Ni-Cb	Pipe	A409	TP348	S34800	...	...	8
18Cr-10Ni-Cb	Pipe	A312	TP347H	S34709	...	...	8
18Cr-10Ni-Cb	Pipe	A312	TP348H	S34809	...	...	8
18Cr-8Ni	Tube	A213	TP304	S30400	...	...	8
18Cr-8Ni	Tube	A269	TP304	S30400	...	...	8
18Cr-8Ni	Pipe	A312	TP304	S30400	...	...	8
18Cr-8Ni	Pipe	A358	304	S30400	...	...	8
18Cr-8Ni	Pipe	A376	TP304	S30400	...	...	8
18Cr-8Ni	Pipe	A376	TP304H	S30409	...	...	8
18Cr-8Ni	Pipe	A409	TP304	S30400	...	...	8
18Cr-8Ni	Pipe	A312	TP304H	S30409	...	...	8
18Cr-10Ni-Mo	Pipes & tubes	A451	CPF8M	J92900	...	...	8
20Cr-Cu	Tube	A268	TP443	S44300	...	...	10
27Cr	Tube	A268	TP446	S44600	...	...	10H
12Cr	Wld. pipe	A1053	50	S41003	...	...	7
24Cr-9Ni-N	Pipes & tubes	A451	CPE20N	...	...	...	8
23Cr-4Ni-N	Pipes & tubes	A789	...	S32304	...	...	10H
23Cr-4Ni-N	Pipes & tubes	A790	...	S32304	...	...	10H
12 <sup>3</sup> / <sub>4</sub> Cr	Pipes & tubes	A426	CPCA-15	J91150	...	...	6
22Cr-5Ni-3Mo	Pipes & tubes	A789	...	S31803	...	...	10H
22Cr-5Ni-3Mo	Pipes & tubes	A790	...	S31803	...	...	10H
26Cr-4Ni-Mo	Pipes & tubes	A789	...	S32900	...	...	10H
26Cr-4Ni-Mo	Pipes & tubes	A790	...	S32900	...	...	10H
21Cr-3Ni-Mo	Pipes & tubes	A790	...	S32003	...	> 5.0	10H
21Cr-3Ni-Mo	Pipes & tubes	A789	...	S32003	...	≤ 5.0	10H
25Cr-8Ni-3Mo-W-Cu-N	Pipes & tubes	A789	...	S32760	...	...	10H
25Cr-8Ni-3Mo-W-Cu-N	Pipes & tubes	A790	...	S32760	...	...	10H

**Table A-1M Basic Allowable Stresses in Tension for Metals (Metric)<sup>1</sup> (Cont'd)**  
 Numbers in Parentheses Refer to Notes for Appendix A Tables; Specifications Are ASTM Unless Otherwise Indicated

Notes	Min. Temp., °C (6)	Min. Tensile Strength, MPa	Min. Yield Strength, MPa	Max. Use Temp., °C	Basic Allowable Stress, S, MPa (1), at Metal Temperature, °C					Type/Grade	Spec. No.
					40	65	100	125	150		
					(2)(3)(4b)(30)(36)	-200	517	207	816		
(2)(3)(4b)(28)	-255	517	207	816	138	138	138	138	138	TP347	A312
(2)(3)(4b)(28)(30)(36)	-255	517	207	816	138	138	138	138	138	347	A358
(2)(3)(4b)(28)(30)(36)	-255	517	207	816	138	138	138	138	138	TP347	A376
(2)(3)(4b)(28)(30)(36)	-255	517	207	816	138	138	138	138	138	TP347	A409
(2)(3)(4b)(28)	-200	517	207	816	138	138	138	138	138	TP348	A312
(2)(3)(4b)(28)(30)(36)	-200	517	207	816	138	138	138	138	138	348	A358
(2)(3)(4b)(28)(30)(36)	-200	517	207	816	138	138	138	138	138	TP348	A376
(2)(3)(4b)(28)(30)(36)	-200	517	207	816	138	138	138	138	138	TP348	A409
(2)(3)(4b)	-200	517	207	816	138	138	138	138	138	TP347H	A312
(2)(3)(4b)	-200	517	207	816	138	138	138	138	138	TP348H	A312
(2)(3)(4b)(14)(26)(28)(31)(36)	-255	517	207	816	138	138	138	138	138	TP304	A213
(2)(3)(4b)(14)(26)(28)(31)(36)	-255	517	207	816	138	138	138	138	138	TP304	A269
(2)(3)(4b)(26)(28)	-255	517	207	816	138	138	138	138	138	TP304	A312
(2)(3)(4b)(26)(28)(31)(36)	-255	517	207	816	138	138	138	138	138	304	A358
(2)(3)(4b)(20)(26)(28)(31)(36)	-255	517	207	816	138	138	138	138	138	TP304	A376
(2)(3)(4b)(26)(31)(36)	-200	517	207	816	138	138	138	138	138	TP304H	A376
(2)(3)(4b)(26)(28)(31)(36)	-255	517	207	816	138	138	138	138	138	TP304	A409
(2)(3)(4b)(26)	-200	517	207	816	138	138	138	138	138	TP304H	A312
(2)(3)(4b)(26)(28)	-255	483	207	816	138	138	138	138	130	CPF8M	A451
(2)(3)(4b)(35)	-30	483	276	538	161	161	161	161	161	TP443	A268
(2)(3)(4b)(35)	-30	483	276	538	161	161	161	158	155	TP446	A268
(2)(3)(4b)	-30	485	350	316	162	162	162	162	162	50	A1053
(2)(3)(4b)(35)(39)	-200	552	276	482	184	184	184	184	184	CPE20N	A451
(2)(3)(4b)(25)	-50	600	400	316	200	200	191	185	180	...	A789
(2)(3)(4b)(25)	-50	600	400	316	200	200	191	185	180	...	A790
(2)(3)(4b)(10)(35)	-30	621	448	40	207	...	...	...	...	CPCA-15	A426
(2)(3)(4b)(25)	-50	621	448	316	207	207	207	204	199	...	A789
(2)(3)(4b)(25)	-50	621	448	316	207	207	207	204	199	...	A790
(2)(3)(4b)(25)	-30	621	483	40	207	...	...	...	...	...	A789
(2)(3)(4b)(25)	-30	621	483	40	207	...	...	...	...	...	A790
(2)(3)(4b)(25)	-50	655	450	343	218	218	210	203	199	...	A790
(2)(3)(4b)(25)	-50	690	485	343	230	230	221	214	209	...	A789
(2)(3)(4b)(25)	-50	752	552	...	...	...	...	...	...	...	A789
(2)(3)(4b)(25)	-50	752	552	40	207	...	...	...	...	...	A790

(12)

**Table A-1M Basic Allowable Stresses in Tension for Metals (Metric)<sup>1</sup> (Cont'd)**  
 Numbers in Parentheses Refer to Notes for Appendix A Tables; Specifications Are ASTM Unless Otherwise Indicated

		Basic Allowable Stress, S, MPa (1), at Metal Temperature, °C														
Spec. No.	Type/Grade	175	200	225	250	275	300	325	350	375	400	425	450	475	500	525
A376	TP347H	138	138	138	138	137	135	132	130	129	127	126	126	125	125	125
A312	TP347	138	138	138	138	137	135	132	130	129	127	126	126	125	125	125
A358	347	138	138	138	138	137	135	132	130	128	127	126	126	125	125	125
A376	TP347	138	138	138	138	137	135	132	130	128	127	126	126	125	125	125
A409	TP347	138	138	138	138	137	135	132	130	128	127	126	126	125	125	125
A312	TP348	138	138	138	138	137	135	132	130	128	127	126	126	125	125	125
A358	348	138	138	138	138	137	135	132	130	128	127	126	126	125	125	125
A376	TP348	138	138	138	138	137	135	132	130	128	127	126	126	125	125	125
A409	TP348	138	138	138	138	137	135	132	130	128	127	126	126	125	125	125
A312	TP347H	138	138	138	138	137	135	132	130	129	127	126	126	125	125	125
A312	TP348H	138	138	138	138	137	135	132	130	129	127	126	126	125	125	125
A213	TP304	134	129	125	122	119	116	113	111	109	107	105	103	101	99.1	97.3
A269	TP304	134	129	125	122	119	116	113	111	109	107	105	103	101	99.1	97.3
A312	TP304	134	129	125	122	119	116	113	111	109	107	105	103	101	99.1	97.3
A358	304	134	129	125	122	119	116	113	111	109	107	105	103	101	99.1	97.3
A376	TP304	134	129	125	122	119	116	113	111	109	107	105	103	101	99.1	97.3
A376	TP304H	134	129	125	122	119	116	113	111	109	107	105	103	101	99.1	97.3
A409	TP304	134	129	125	122	119	116	113	111	109	107	105	103	101	99.1	97.3
A312	TP304H	134	129	125	122	119	116	113	111	109	107	105	103	101	99.1	97.3
A451	CPF8M	124	118	114	110	107	104	102	101	99.3	98.1	97.0	95.9	94.7	93.3	91.5
A268	TP443	161	161	161	161	161	161	161	<b>97.0</b>	<b>84.3</b>	<b>73.3</b>	<b>64.0</b>	<b>55.8</b>	<b>43.9</b>	<b>31.7</b>	<b>21.4</b>
A268	TP446	153	152	150	149	147	145	144	141	139	136	132	128	122	116	109
A1053	50	161	159	156	154	152	149	146	...	...	...	...	...	...	...	...
A451	CPE20N	184	184	184	184	184	184	184	184	184	184	184	184	184	184	...
A789	...	175	171	166	161	153	143	111	...	...	...	...	...	...	...	...
A790	...	175	171	166	161	153	143	111	...	...	...	...	...	...	...	...
A426	CPCA-15	...	...	...	...	...	...	...	...	...	...	...	...	...	...	...
A789	...	196	193	190	188	187	186	185	...	...	...	...	...	...	...	...
A790	...	196	193	190	188	187	186	185	...	...	...	...	...	...	...	...
A789	...	...	...	...	...	...	...	...	...	...	...	...	...	...	...	...
A790	...	...	...	...	...	...	...	...	...	...	...	...	...	...	...	...
A790	...	197	197	197	197	197	197	197	197	...	...	...	...	...	...	...
A789	...	207	207	207	207	207	207	207	207	...	...	...	...	...	...	...
A789	...	...	...	...	...	...	...	...	...	...	...	...	...	...	...	...
A790	...	...	...	...	...	...	...	...	...	...	...	...	...	...	...	...

**Table A-1M Basic Allowable Stresses in Tension for Metals (Metric)<sup>1</sup> (Cont'd)**  
 Numbers in Parentheses Refer to Notes for Appendix A Tables; Specifications Are ASTM Unless Otherwise Indicated

(12)

Basic Allowable Stress, S, MPa (1), at Metal Temperature, °C													Type/ Grade	Spec. No.
550	575	600	625	650	675	700	725	750	775	800	825			
125	112	90.6	69.6	53.8	41.4	31.8	24.0	18.8	14.6	10.9	8.96	TP347H	A376	
125	112	90.6	69.6	53.8	41.4	31.8	24.0	18.8	14.6	10.9	8.96	TP347	A312	
125	112	90.6	69.6	53.8	41.4	31.8	24.0	18.8	14.6	10.9	8.96	347	A358	
125	112	90.6	69.6	53.8	41.4	31.8	24.0	18.8	14.6	10.9	8.96	TP347	A376	
125	112	90.6	69.6	53.8	41.4	31.8	24.0	18.8	14.6	10.9	8.96	TP347	A409	
125	112	90.6	69.6	53.8	41.4	31.8	24.0	18.8	14.6	10.9	8.96	TP348	A312	
125	112	90.6	69.6	53.8	41.4	31.8	24.0	18.8	14.6	10.9	8.96	348	A358	
125	112	90.6	69.6	53.8	41.4	31.8	24.0	18.8	14.6	10.9	8.96	TP348	A376	
125	112	90.6	69.6	53.8	41.4	31.8	24.0	18.8	14.6	10.9	8.96	TP348	A409	
125	112	90.6	69.6	53.8	41.4	31.8	24.0	18.8	14.6	10.9	8.96	TP347H	A312	
125	112	90.6	69.6	53.8	41.4	31.8	24.0	18.8	14.6	10.9	8.96	TP348H	A312	
95.5	78.9	63.8	51.6	41.6	32.9	26.5	21.3	17.2	14.1	11.2	9.65	TP304	A213	
95.5	78.9	63.8	51.6	41.6	32.9	26.5	21.3	17.2	14.1	11.2	9.65	TP304	A269	
95.5	78.9	63.8	51.6	41.6	32.9	26.5	21.3	17.2	14.1	11.2	9.65	TP304	A312	
95.5	78.9	63.8	51.6	41.6	32.9	26.5	21.3	17.2	14.1	11.2	9.65	304	A358	
95.5	78.9	63.8	51.6	41.6	32.9	26.5	21.3	17.2	14.1	11.2	9.65	TP304	A376	
95.5	78.9	63.8	51.6	41.6	32.9	26.5	21.3	17.2	14.1	11.2	9.65	TP304H	A376	
95.5	78.9	63.8	51.6	41.6	32.9	26.5	21.3	17.2	14.1	11.2	9.65	TP304	A409	
95.5	78.9	63.8	51.6	41.6	32.9	26.5	21.3	17.2	14.1	11.2	9.65	TP304H	A312	
89.1	72.7	57.7	46.0	36.9	30.1	24.3	20.3	17.0	14.3	12.1	11.0	CPF8M	A451	
17.2	...	...	...	...	...	...	...	...	...	...	...	TP443	A268	
104	...	...	...	...	...	...	...	...	...	...	...	TP446	A268	
...	...	...	...	...	...	...	...	...	...	...	...	50	A1053	
...	...	...	...	...	...	...	...	...	...	...	...	CPE20N	A451	
...	...	...	...	...	...	...	...	...	...	...	...	...	A789	
...	...	...	...	...	...	...	...	...	...	...	...	...	A790	
...	...	...	...	...	...	...	...	...	...	...	...	CPCA-15	A426	
...	...	...	...	...	...	...	...	...	...	...	...	...	A789	
...	...	...	...	...	...	...	...	...	...	...	...	...	A790	
...	...	...	...	...	...	...	...	...	...	...	...	...	A789	
...	...	...	...	...	...	...	...	...	...	...	...	...	A790	
...	...	...	...	...	...	...	...	...	...	...	...	...	A790	
...	...	...	...	...	...	...	...	...	...	...	...	...	A789	
...	...	...	...	...	...	...	...	...	...	...	...	...	A789	
...	...	...	...	...	...	...	...	...	...	...	...	...	A789	
...	...	...	...	...	...	...	...	...	...	...	...	...	A790	
...	...	...	...	...	...	...	...	...	...	...	...	...	A790	

(12)

**Table A-1M Basic Allowable Stresses in Tension for Metals (Metric)<sup>1</sup> (Cont'd)**  
 Numbers in Parentheses Refer to Notes for Appendix A Tables; Specifications Are ASTM Unless Otherwise Indicated

Nominal Composition	Product Form	Spec. No.	Type/ Grade	UNS No.	Class/ Condition/ Temper	Size, mm	P-No. (5)
25Cr-7Ni-4Mo-N	Pipes & tubes	A789	...	S32750	...	...	10H
25Cr-7Ni-4Mo-N	Pipes & tubes	A790	...	S32750	...	...	10H
24Cr-17Ni-6Mn-4½Mo-N	Pipes & tubes	A358	...	S34565	...	...	8
18Cr-10Ni	Plates & sheets	A240	305	S30500	...	...	8
12Cr-Al	Plates & sheets	A240	405	S40500	...	...	7
18Cr-8Ni	Plates & sheets	A240	304L	S30403	...	...	8
16Cr-12Ni-2Mo	Plates & sheets	A240	316L	S31603	...	...	8
18Cr-Ti-Al	Plates & sheets	A240	X8M	...	...	...	...
18Cr-8Ni	Plates & sheets	A167	302B	S30215	...	...	8
18Cr-Ni	Plates & sheets	A240	302	S30200	...	...	8
12Cr	Plate, sheet, strip	A1010	40	S41003	...	...	7
12Cr	Plate, sheet, strip	A1010	50	S41003	...	...	7
13Cr	Plates & sheets	A240	410S	S41008	...	...	7
13Cr	Plates & sheets	A240	410	S41000	...	...	6
15Cr	Plates & sheets	A240	429	S42900	...	...	6
17Cr	Plates & sheets	A240	430	S43000	...	...	7
18Cr-13Ni-3Mo	Plates & sheets	A240	317L	S31703	...	...	8
25Cr-20Ni	Plates & sheets	A167	310	S31000	...	...	8
25Cr-20Ni	Plates & sheets	A240	310S	S31008	...	...	8
18Cr-10Ni-Ti	Plates & sheets	A240	321	S32100	...	...	8
20Cr-10Ni	Plates & sheets	A167	308	S30800	...	...	8
23Cr-12Ni	Plates & sheets	A167	309	S30900	...	...	8
23Cr-12Ni	Plates & sheets	A240	309S	S30908	...	...	8
18Cr-10Ni-Cb	Plates & sheets	A240	347	S34700	...	...	8
18Cr-10Ni-Cb	Plates & sheets	A240	348	S34800	...	...	8
25Cr-20Ni	Plates & sheets	A167	310	S31000	...	...	8
25Cr-20Ni	Plates & sheets	A240	310S	S31008	...	...	8



**Table A-1M Basic Allowable Stresses in Tension for Metals (Metric)<sup>1</sup> (Cont'd)**  
 Numbers in Parentheses Refer to Notes for Appendix A Tables; Specifications Are ASTM Unless Otherwise Indicated

Notes	Min. Temp., °C (6)	Min. Tensile Strength, MPa	Min. Yield Strength, MPa	Max. Use Temp., °C	Basic Allowable Stress, S, MPa (1), at Metal Temperature, °C						Type/Grade	Spec. No.
					40	65	100	125	150			
(2)(3)(4b)(25)	-30	800	552	316	267	251	249	244	239	...	A789	
(2)(3)(4b)(25)	-30	800	552	316	267	251	249	244	239	...	A790	
(2)(3)(4b)(36)	-200	793	414	...	...	...	...	...	...	...	A358	
(3)(4b)(26)(36)(39)	-200	483	172	40	115	...	...	...	...	305	A240	
(3)(4b)(35)	-30	414	172	538	115	109	105	103	102	405	A240	
(3)(4b)(36)	-255	483	172	816	115	115	115	115	115	304L	A240	
(3)(4b)(36)	-255	483	172	816	115	115	115	115	115	316L	A240	
(3)(4b)(35)	-30	448	207	40	138	...	...	...	...	X8M	A240	
(3)(4b)(26)(28)(31)(36)(39)	-200	517	207	510	138	138	138	138	138	302B	A167	
(3)(4b)(26)(36)	-200	517	207	538	138	138	138	138	138	302	A240	
(3)(4b)	-30	455	275	316	152	152	152	152	152	40	A1010	
(3)(4b)	-30	485	350	316	162	162	162	162	162	50	A1010	
(3)(4b)(35)(50)	-30	414	207	649	138	130	126	124	122	410S	A240	
(3)(4b)(35)	-30	448	207	649	138	130	126	124	122	410	A240	
(3)(4b)(35)	-30	448	207	649	138	130	126	124	122	429	A240	
(3)(4b)(35)	-30	448	207	649	138	130	126	124	122	430	A240	
(3)(4b)(36)	-200	517	207	454	138	138	138	138	138	317L	A240	
(3)(4b)(28)(35)(36)(39)	-200	517	207	816	138	138	138	138	138	310	A167	
(3)(4b)(28)(35)(36)	-200	517	207	816	138	138	138	138	138	310S	A240	
(3)(4b)(30)(36)	-200	517	207	816	138	138	138	138	138	321	A240	
(3)(4b)(6)(26)(31)(39)	-200	517	207	800	138	138	138	138	138	308	A167	
(3)(4b)(12)(28)(31)(35)(36)(39)	-200	517	207	816	138	138	138	138	138	309	A167	
(3)(4b)(28)(35)(36)	-200	517	207	816	138	138	138	138	138	309S	A240	
(3)(4b)(36)	-255	517	207	816	138	138	138	138	138	347	A240	
(3)(4b)(36)	-200	517	207	816	138	138	138	138	138	348	A240	
(3)(4b)(28)(29)(35)(36)(39)	-200	517	207	816	138	138	138	138	138	310	A167	
(3)(4b)(28)(29)(35)(36)	-200	517	207	816	138	138	138	138	138	310S	A240	

(12)

**Table A-1M Basic Allowable Stresses in Tension for Metals (Metric)<sup>1</sup> (Cont'd)**  
 Numbers in Parentheses Refer to Notes for Appendix A Tables; Specifications Are ASTM Unless Otherwise Indicated

		Basic Allowable Stress, S, MPa (1), at Metal Temperature, °C														
Spec. No.	Type/Grade	175	200	225	250	275	300	325	350	375	400	425	450	475	500	525
A789	...	237	235	234	234	234	234	234	...	...	...	...	...	...	...	...
A790	...	237	235	234	234	234	234	234	...	...	...	...	...	...	...	...
A358	...	...	...	...	...	...	...	...	...	...	...	...	...	...	...	...
A240	305	...	...	...	...	...	...	...	...	...	...	...	...	...	...	...
A240	405	101	100	99.7	99.1	98.4	97.5	96.2	94.7	92.6	90.1	87.0	83.4	79.2	<b>70.1</b>	<b>38.8</b>
A240	304L	114	110	106	103	99.9	97.7	95.7	94.1	92.6	91.3	90.0	88.7	87.3	85.6	83.7
A240	316L	113	109	106	103	100	98.1	96.1	94.3	92.6	90.9	89.3	87.6	85.9	84.2	82.5
A240	X8M	...	...	...	...	...	...	...	...	...	...	...	...	...	...	...
A167	302B	134	129	125	122	119	116	113	111	109	107	105	103	101	99.1	97.3
A240	302	134	129	125	122	119	116	113	111	109	107	105	103	101	99.1	97.3
A1010	40	151	149	147	145	142	140	137	...	...	...	...	...	...	...	...
A1010	50	161	159	156	154	152	149	146	...	...	...	...	...	...	...	...
A240	410S	121	120	120	119	118	117	115	114	111	108	104	100	<b>92.5</b>	<b>68.4</b>	<b>51.1</b>
A240	410	121	120	120	119	118	117	115	114	111	108	104	100	<b>92.5</b>	<b>68.4</b>	<b>51.1</b>
A240	429	121	120	120	119	118	117	115	114	111	108	104	100	<b>88.7</b>	<b>69.8</b>	<b>52.6</b>
A240	430	121	120	120	119	118	117	115	114	111	108	104	100	<b>88.7</b>	<b>69.8</b>	<b>52.6</b>
A240	317L	136	131	127	123	120	118	115	113	111	109	107	105	103	...	...
A167	310	138	138	137	134	131	129	127	125	123	122	120	119	117	116	<b>84.9</b>
A240	310S	138	138	137	134	131	129	127	125	123	122	120	119	117	116	<b>84.9</b>
A240	321	138	138	138	135	131	128	125	123	120	119	117	116	114	113	112
A167	308	134	129	125	122	119	116	113	<b>97.0</b>	<b>84.3</b>	<b>73.3</b>	<b>64.0</b>	<b>55.8</b>	<b>43.9</b>	<b>31.7</b>	<b>21.4</b>
A167	309	138	138	138	135	133	131	129	127	125	124	122	121	119	117	<b>108</b>
A240	309S	138	138	138	135	133	131	129	127	125	124	122	121	119	117	<b>108</b>
A240	347	138	138	138	138	137	135	132	130	128	127	126	126	125	125	125
A240	348	138	138	138	138	137	135	132	130	128	127	126	126	125	125	125
A167	310	138	138	137	134	131	129	127	125	123	122	120	119	117	116	<b>108</b>
A240	310S	138	138	137	134	131	129	127	125	123	122	120	119	117	116	<b>108</b>

**Table A-1M Basic Allowable Stresses in Tension for Metals (Metric)<sup>1</sup> (Cont'd)**  
 Numbers in Parentheses Refer to Notes for Appendix A Tables; Specifications Are ASTM Unless Otherwise Indicated

(12)

Basic Allowable Stress, S, MPa (1), at Metal Temperature, °C													Type/ Grade	Spec. No.
550	575	600	625	650	675	700	725	750	775	800	825			
...	...	...	...	...	...	...	...	...	...	...	...	...	A789	
...	...	...	...	...	...	...	...	...	...	...	...	...	A790	
...	...	...	...	...	...	...	...	...	...	...	...	...	A358	
...	...	...	...	...	...	...	...	...	...	...	...	305	A240	
<b>27.6</b>	...	...	...	...	...	...	...	...	...	...	...	405	A240	
81.4	<b>40.4</b>	<b>33.2</b>	<b>26.7</b>	<b>21.9</b>	<b>18.2</b>	<b>15.0</b>	<b>12.4</b>	<b>8.87</b>	<b>7.20</b>	<b>6.58</b>	<b>6.21</b>	304L	A240	
80.8	<b>73.0</b>	<b>67.9</b>	<b>58.0</b>	<b>43.6</b>	<b>33.0</b>	<b>25.3</b>	<b>18.8</b>	<b>14.0</b>	<b>10.4</b>	<b>7.99</b>	<b>6.89</b>	316L	A240	
...	...	...	...	...	...	...	...	...	...	...	...	X8M	A240	
...	...	...	...	...	...	...	...	...	...	...	...	302B	A167	
96.4	...	...	...	...	...	...	...	...	...	...	...	302	A240	
...	...	...	...	...	...	...	...	...	...	...	...	40	A1010	
...	...	...	...	...	...	...	...	...	...	...	...	50	A1010	
<b>37.4</b>	<b>26.3</b>	<b>17.8</b>	<b>11.4</b>	<b>6.89</b>	...	...	...	...	...	...	...	410S	A240	
<b>37.4</b>	<b>26.3</b>	<b>17.8</b>	<b>11.4</b>	<b>6.89</b>	...	...	...	...	...	...	...	410	A240	
<b>38.1</b>	<b>27.6</b>	<b>20.6</b>	<b>15.9</b>	<b>12.4</b>	...	...	...	...	...	...	...	429	A240	
<b>38.1</b>	<b>27.6</b>	<b>20.6</b>	<b>15.9</b>	<b>12.4</b>	...	...	...	...	...	...	...	430	A240	
...	...	...	...	...	...	...	...	...	...	...	...	317L	A240	
59.0	43.5	31.9	23.6	16.9	10.7	6.10	3.90	2.99	2.36	1.73	1.38	310	A167	
59.0	43.5	31.9	23.6	16.9	10.7	6.10	3.90	2.99	2.36	1.73	1.38	310S	A240	
88.7	59.2	44.0	32.9	24.5	18.3	12.5	8.49	6.19	4.28	2.75	2.07	321	A240	
14.2	9.40	6.16	4.03	2.64	1.73	1.13	0.74	0.49	0.32	0.21	...	308	A167	
83.7	64.0	48.5	36.3	27.3	21.0	15.9	12.5	9.87	7.65	5.97	5.17	309	A167	
83.7	64.0	48.5	36.3	27.3	21.0	15.9	12.5	9.87	7.65	5.97	5.17	309S	A240	
97.6	75.9	57.2	40.2	30.3	23.2	16.2	11.4	8.97	7.08	5.89	5.52	347	A240	
97.6	75.9	57.2	40.2	30.3	23.2	16.2	11.4	8.97	7.08	5.89	5.52	348	A240	
83.7	64.0	48.5	36.3	27.3	21.0	15.9	12.5	9.87	7.65	5.97	5.17	310	A167	
83.7	64.0	48.5	36.3	27.3	21.0	15.9	12.5	9.87	7.65	5.97	5.17	310S	A240	

(12)

**Table A-1M Basic Allowable Stresses in Tension for Metals (Metric)<sup>1</sup> (Cont'd)**  
 Numbers in Parentheses Refer to Notes for Appendix A Tables; Specifications Are ASTM Unless Otherwise Indicated

Nominal Composition	Product Form	Spec. No.	Type/ Grade	UNS No.	Class/ Condition/ Temper	Size, mm	P-No. (5)
18Cr-10Ni-Ti	Plates & sheets	A240	321	S32100	...	...	8
18Cr-10Ni-Ti	Plates & sheets	A240	321H	S32109	...	...	8
16Cr-12Ni-2Mo	Plates & sheets	A240	316	S31600	...	...	8
18Cr-13Ni-3Mo	Plates & sheets	A240	317	S31700	...	...	8
18Cr-10Ni-Cb	Plates & sheets	A167	347	...	...	...	8
18Cr-10Ni-Cb	Plates & sheets	A240	347	S34700	...	...	8
18Cr-10Ni-Cb	Plates & sheets	A167	348	...	...	...	8
18Cr-10Ni-Cb	Plates & sheets	A240	348	S34800	...	...	8
18Cr-8Ni	Plates & sheets	A240	304	S30400	...	...	8
21Cr-3Ni-Mo	Plates & sheets	A240	...	S32003	...	> 5.0	10H
21Cr-3Ni-Mo	Plates & sheets	A240	...	S32003	...	≤ 5.0	10H
25Cr-8Ni-3Mo-W-Cu-N	Plates & sheets	A240	...	S32760	...	...	10H
18Cr-13Ni-3Mo	Forgings & fittings	A182	F317L	S31703	...	≤ 125	8
18Cr-8Ni	Forgings & fittings	A182	F304L	S30403	...	...	8
18Cr-8Ni	Forgings & fittings	A403	WP304L	S30403	...	...	8
16Cr-12Ni-2Mo	Forgings & fittings	A182	F316L	S31603	...	...	8
16Cr-12Ni-2Mo	Forgings & fittings	A403	WP316L	S31603	...	...	8
20Ni-8Cr	Forgings & fittings	A182	F10	S33100	...	...	8
18Cr-13Ni-3Mo	Forgings & fittings	A403	WP317L	S31703	...	...	8
25Cr-20Ni	Forgings & fittings	A182	F310	S31000	...	...	8
25Cr-20Ni	Forgings & fittings	A403	WP310	S31008	...	...	8
18Cr-10Ni-Ti	Forgings & fittings	A182	F321	S32100	...	...	8
18Cr-10Ni-Ti	Forgings & fittings	A403	WP321	S32100	...	...	8
23Cr-12Ni	Forgings & fittings	A403	WP309	S30900	...	...	8
25Cr-20Ni	Forgings & fittings	A182	F310	S31000	...	...	8
25Cr-20Ni	Forgings & fittings	A403	WP310	S31008	...	...	8

**Table A-1M Basic Allowable Stresses in Tension for Metals (Metric)<sup>1</sup> (Cont'd)**  
 Numbers in Parentheses Refer to Notes for Appendix A Tables; Specifications Are ASTM Unless Otherwise Indicated

Notes	Basic Allowable Stress, S, MPa (1), at Metal Temperature, °C										Spec. No.
	Min. Temp., °C (6)	Min. Tensile Strength, MPa	Min. Yield Strength, MPa	Max. Use Temp., °C						Type/ Grade	
					40	65	100	125	150		
(3)(4b)(28)(30)(36)	-200	517	207	816	138	138	138	138	138	321	A240
(3)(4b)(36)	-200	517	207	816	138	138	138	138	138	321H	A240
(3)(4b)(26)(28)(36)	-255	517	207	816	138	138	138	138	138	316	A240
(3)(4b)(26)(28)(36)	-200	517	207	816	138	138	138	138	138	317	A240
(3)(4b)(28)(30)(36)	-255	517	207	816	138	138	138	138	138	347	A167
(3)(4b)(28)(36)	-255	517	207	816	138	138	138	138	138	347	A240
(3)(4b)(28)(30)(36)	-200	517	207	816	138	138	138	138	138	348	A167
(3)(4b)(28)(36)	-200	517	207	816	138	138	138	138	138	348	A240
(3)(4b)(26)(28)(36)	-255	517	207	816	138	138	138	138	138	304	A240
(3)(4b)(25)	-50	655	450	343	218	218	210	203	199	...	A240
(3)(4b)(25)	-50	690	485	343	230	230	221	214	209	...	A240
(3)(4b)(25)	-50	752	552	316	251	251	249	244	239	...	A240
(2)(3)(4b)(9)(21a)	-200	483	172	454	115	115	115	115	115	F317L	A182
(2)(3)(4b)(9)(21a)	-255	483	172	816	115	115	115	115	115	F304L	A182
(2)(3)(4b)(32)(37)	-255	483	172	816	115	115	115	115	115	WP304L	A403
(2)(3)(4b)(9)(21a)	-255	483	172	816	115	115	115	115	115	F316L	A182
(2)(3)(4b)(32)(37)	-255	483	172	816	115	115	115	115	115	WP316L	A403
(2)(3)(4b)(26)(28)(39)	-200	552	207	40	138	...	...	...	...	F10	A182
(2)(3)(4b)(32)(37)	-200	517	207	454	138	138	138	138	138	WP317L	A403
(2)(3)(4b)(9)(21)(28)(35)(39)	-200	517	207	816	138	138	138	138	138	F310	A182
(2)(3)(4b)(28)(32)(35)(37)(39)	-200	517	207	816	138	138	138	138	138	WP310	A403
(2)(3)(4b)(9)(21)	-200	517	207	816	138	138	138	138	138	F321	A182
(2)(3)(4b)(32)(37)	-200	517	207	816	138	138	138	138	138	WP321	A403
(2)(3)(4b)(28)(32)(35)(37)(39)	-200	517	207	816	138	138	138	138	138	WP309	A403
(2)(3)(4b)(9)(21)(28)(29)(35)(39)	-200	517	207	816	138	138	138	138	138	F310	A182
(2)(3)(4b)(28)(29)(32)(35)(37)(39)	-200	517	207	816	138	138	138	138	138	WP310	A403

(12)

**Table A-1M Basic Allowable Stresses in Tension for Metals (Metric)<sup>1</sup> (Cont'd)**  
 Numbers in Parentheses Refer to Notes for Appendix A Tables; Specifications Are ASTM Unless Otherwise Indicated

		Basic Allowable Stress, S, MPa (1), at Metal Temperature, °C														
Spec. No.	Type/Grade	175	200	225	250	275	300	325	350	375	400	425	450	475	500	525
A240	321	138	138	138	135	131	128	125	123	120	119	117	116	114	113	112
A240	321H	138	138	138	135	131	128	125	123	120	119	117	116	114	113	112
A240	316	138	134	129	125	122	119	116	114	112	111	110	109	108	107	106
A240	317	138	134	129	125	122	119	116	114	112	111	110	109	108	107	106
A167	347	138	138	138	138	137	135	132	130	128	127	126	126	125	125	125
A240	347	138	138	138	138	137	135	132	130	128	127	126	126	125	125	125
A167	348	138	138	138	138	137	135	132	130	128	127	126	126	125	125	125
A240	348	138	138	138	138	137	135	132	130	128	127	126	126	125	125	125
A240	304	134	129	125	122	119	116	113	111	109	107	105	103	101	99.1	97.3
A240	...	197	197	197	197	197	197	197	197	...	...	...	...	...	...	...
A240	...	207	207	207	207	207	207	207	207	...	...	...	...	...	...	...
A240	...	237	235	234	234	234	234	234	...	...	...	...	...	...	...	...
A182	F317L	113	109	106	103	100	98.1	96.1	94.3	92.6	90.9	89.3	87.6	85.9	...	...
A182	F304L	114	110	106	103	99.9	97.7	95.7	94.1	92.6	91.3	90.0	88.7	87.3	85.6	83.7
A403	WP304L	114	110	106	103	99.9	97.7	95.7	94.1	92.6	91.3	90.0	88.7	87.3	85.6	83.7
A182	F316L	113	109	106	103	100	98.1	96.1	94.3	92.6	90.9	89.3	87.6	85.9	84.2	82.5
A403	WP316L	113	109	106	103	100	98.1	96.1	94.3	92.6	90.9	89.3	87.6	85.9	84.2	82.5
A182	F10	...	...	...	...	...	...	...	...	...	...	...	...	...	...	...
A403	WP317L	136	131	127	123	120	118	115	113	111	109	107	105	103	...	...
A182	F310	138	138	137	134	131	129	127	125	123	122	120	119	117	116	<b>84.9</b>
A403	WP310	138	138	137	134	131	129	127	125	123	122	120	119	117	116	<b>84.9</b>
A182	F321	138	138	138	135	131	128	125	123	120	119	117	116	114	113	112
A403	WP321	138	138	138	135	131	128	125	123	120	119	117	116	114	113	112
A403	WP309	138	138	138	135	133	131	129	127	125	124	122	121	119	117	<b>108</b>
A182	F310	138	138	137	134	131	129	127	125	123	122	120	119	117	116	<b>108</b>
A403	WP310	138	138	137	134	131	129	127	125	123	122	120	119	117	116	<b>108</b>

**Table A-1M Basic Allowable Stresses in Tension for Metals (Metric)<sup>1</sup> (Cont'd)**  
 Numbers in Parentheses Refer to Notes for Appendix A Tables; Specifications Are ASTM Unless Otherwise Indicated

(12)

Basic Allowable Stress, <i>S</i> , MPa (1), at Metal Temperature, °C													Type/ Grade	Spec. No.
550	575	600	625	650	675	700	725	750	775	800	825			
100	76.5	58.7	46.0	36.8	28.7	23.0	18.4	14.5	11.5	9.02	7.58	321	A240	
100	76.5	58.7	46.0	36.8	28.7	23.0	18.4	14.5	11.5	9.02	7.58	321H	A240	
105	97.8	80.8	65.0	50.4	38.6	29.6	23.0	17.4	13.3	10.4	8.96	316	A240	
105	97.8	80.8	65.0	50.4	38.6	29.6	23.0	17.4	13.3	10.4	8.96	317	A240	
125	112	90.6	69.6	53.8	41.4	31.8	24.0	18.8	14.6	10.9	8.96	347	A167	
125	112	90.6	69.6	53.8	41.4	31.8	24.0	18.8	14.6	10.9	8.96	347	A240	
125	112	90.6	69.6	53.8	41.4	31.8	24.0	18.8	14.6	10.9	8.96	348	A167	
125	112	90.6	69.6	53.8	41.4	31.8	24.0	18.8	14.6	10.9	8.96	348	A240	
95.5	78.9	63.8	51.6	41.6	32.9	26.5	21.3	17.2	14.1	11.2	9.65	304	A240	
...	...	...	...	...	...	...	...	...	...	...	...	...	A240	
...	...	...	...	...	...	...	...	...	...	...	...	...	A240	
...	...	...	...	...	...	...	...	...	...	...	...	...	A240	
...	...	...	...	...	...	...	...	...	...	...	...	F317L	A182	
81.4	40.4	33.2	26.7	21.9	18.2	15.0	12.4	8.87	7.20	6.58	6.21	F304L	A182	
81.4	40.4	33.2	26.7	21.9	18.2	15.0	12.4	8.87	7.20	6.58	6.21	WP304L	A403	
80.8	73.0	67.9	58.0	43.6	33.0	25.3	18.8	14.0	10.4	7.99	6.89	F316L	A182	
80.8	73.0	67.9	58.0	43.6	33.0	25.3	18.8	14.0	10.4	7.99	6.89	WP316L	A403	
...	...	...	...	...	...	...	...	...	...	...	...	F10	A182	
...	...	...	...	...	...	...	...	...	...	...	...	WP317L	A403	
59.0	43.5	31.9	23.6	16.9	10.7	6.10	3.90	2.99	2.36	1.73	1.38	F310	A182	
59.0	43.5	31.9	23.6	16.9	10.7	6.10	3.90	2.99	2.36	1.73	1.38	WP310	A403	
88.7	59.2	44.0	32.9	24.5	18.3	12.5	8.49	6.19	4.28	2.75	2.07	F321	A182	
88.7	59.2	44.0	32.9	24.5	18.3	12.5	8.49	6.19	4.28	2.75	2.07	WP321	A403	
83.7	64.0	48.5	36.3	27.3	21.0	15.9	12.5	9.87	7.65	5.97	5.17	WP309	A403	
83.7	64.0	48.5	36.3	27.3	21.0	15.9	12.5	9.87	7.65	5.97	5.17	F310	A182	
83.7	64.0	48.5	36.3	27.3	21.0	15.9	12.5	9.87	7.65	5.97	5.17	WP310	A403	

(12)

**Table A-1M Basic Allowable Stresses in Tension for Metals (Metric)<sup>1</sup> (Cont'd)**  
 Numbers in Parentheses Refer to Notes for Appendix A Tables; Specifications Are ASTM Unless Otherwise Indicated

Nominal Composition	Product Form	Spec. No.	Type/ Grade	UNS No.	Class/ Condition/ Temper	Size, mm	P-No. (5)
18Cr-10Ni-Cb	Forgings & fittings	A182	F347	S34700	...	...	8
18Cr-10Ni-Cb	Forgings & fittings	A403	WP347	S34700	...	...	8
18Cr-10Ni-Cb	Forgings & fittings	A182	F348	S34800	...	...	8
18Cr-10Ni-Cb	Forgings & fittings	A403	WP348	S34800	...	...	8
18Cr-10Ni-Ti	Forgings & fittings	A182	F321	S32100	...	...	8
18Cr-10Ni-Ti	Forgings & fittings	A182	F321H	S32109	...	...	8
18Cr-10Ni-Ti	Forgings & fittings	A403	WP321	S32100	...	...	8
18Cr-10Ni-Ti	Forgings & fittings	A403	WP321H	S32109	...	...	8
16Cr-12Ni-2Mo	Forgings & fittings	A403	WP316H	S31609	...	...	8
16Cr-12Ni-2Mo	Forgings & fittings	A182	F316H	S31609	...	...	8
18Cr-10Ni-Cb	Forgings & fittings	A403	WP347H	S34709	...	...	8
18Cr-10Ni-Cb	Forgings & fittings	A182	F347	S34700	...	...	8
18Cr-10Ni-Cb	Forgings & fittings	A403	WP347	S34700	...	...	8
18Cr-10Ni-Cb	Forgings & fittings	A182	F348	S34800	...	...	8
18Cr-10Ni-Cb	Forgings & fittings	A403	WP348	S34800	...	...	8
18Cr-10Ni-Cb	Forgings & fittings	A182	F347H	S34709	...	...	8
18Cr-10Ni-Cb	Forgings & fittings	A182	F348H	S34809	...	...	8
16Cr-12Ni-2Mo	Forgings & fittings	A182	F316	S31600	...	...	8
16Cr-12Ni-2Mo	Forgings & fittings	A403	WP316	S31600	...	...	8
18Cr-13Ni-3Mo	Forgings & fittings	A403	WP317	S31700	...	...	8
18Cr-8Ni	Forgings & fittings	A182	F304	S30400	...	...	8
18Cr-8Ni	Forgings & fittings	A403	WP304	S30400	...	...	8
18Cr-8Ni	Forgings & fittings	A403	WP304H	S30409	...	...	8
18Cr-8Ni	Forgings & fittings	A182	F304H	S30409	...	...	8
13Cr	Forgings & fittings	A182	F6a	S41000	1	...	6
13Cr	Forgings & fittings	A182	F6a	S41000	2	...	6
25Cr-8Ni-3Mo-W-Cu-N	Forgings & fittings	A182	...	S32760	...	...	10H
25Cr-8Ni-3Mo-W-Cu-N	Forgings & fittings	A815	...	S32760	...	...	10H
13Cr	Forgings & fittings	A182	F6a	S41000	3	...	6
13Cr-1/2Mo	Forgings & fittings	A182	F6b	S41026	...	...	6
13Cr	Forgings & fittings	A182	F6a	S41000	4	...	6



**Table A-1M Basic Allowable Stresses in Tension for Metals (Metric)<sup>1</sup> (Cont'd)**  
 Numbers in Parentheses Refer to Notes for Appendix A Tables; Specifications Are ASTM Unless Otherwise Indicated

Notes	Basic Allowable Stress, <i>S</i> , MPa (1), at Metal Temperature, °C										Spec. No.
	Min. Temp., °C (6)	Min. Tensile Strength, MPa	Min. Yield Strength, MPa	Max. Use Temp., °C						Type/ Grade	
					40	65	100	125	150		
(2)(3)(4b)(9)(21)	-255	517	207	816	138	138	138	138	138	F347	A182
(2)(3)(4b)(32)(37)	-255	517	207	816	138	138	138	138	138	WP347	A403
(2)(3)(4b)(9)(21)	-200	517	207	816	138	138	138	138	138	F348	A182
(2)(3)(4b)(32)(37)	-200	517	207	816	138	138	138	138	138	WP348	A403
(2)(3)(4b)(9)(21)(28)(30)	-200	517	207	816	138	138	138	138	138	F321	A182
(2)(3)(4b)(9)(21)	-200	517	207	816	138	138	138	138	138	F321H	A182
(2)(3)(4b)(28)(30)(32)(37)	-200	517	207	816	138	138	138	138	138	WP321	A403
(2)(3)(4b)(32)(37)	-200	517	207	816	138	138	138	138	138	WP321H	A403
(2)(3)(4b)(26)(32)(37)	-200	517	207	816	138	138	138	138	138	WP316H	A403
(2)(3)(4b)(9)(21)(26)	-200	517	207	816	138	138	138	138	138	F316H	A182
(2)(3)(4b)(32)(37)	-200	517	207	816	138	138	138	138	138	WP347H	A403
(2)(3)(4b)(9)(21)(28)	-255	517	207	816	138	138	138	138	138	F347	A182
(2)(3)(4b)(28)(32)(37)	-255	517	207	816	138	138	138	138	138	WP347	A403
(2)(3)(4b)(9)(21)(28)	-200	517	207	816	138	138	138	138	138	F348	A182
(2)(3)(4b)(28)(32)(37)	-200	517	207	816	138	138	138	138	138	WP348	A403
(2)(3)(4b)(9)(21)	-200	517	207	816	138	138	138	138	138	F347H	A182
(2)(3)(4b)(9)(21)	-200	517	207	816	138	138	138	138	138	F348H	A182
(2)(3)(4b)(9)(21)(26)(28)	-200	517	207	816	138	138	138	138	138	F316	A182
(2)(3)(4b)(26)(28)(32)(37)	-255	517	207	816	138	138	138	138	138	WP316	A403
(2)(3)(4b)(26)(28)(32)	-200	517	207	816	138	138	138	138	138	WP317	A403
(2)(3)(4b)(9)(21)(26)(28)	-255	517	207	816	138	138	138	138	138	F304	A182
(2)(3)(4b)(26)(28)(32)(37)	-255	517	207	816	138	138	138	138	138	WP304	A403
(2)(3)(4b)(26)(32)(37)	-200	517	207	816	138	138	138	138	138	WP304H	A403
(2)(3)(4b)(9)(21)(26)	-200	517	207	816	138	138	138	138	138	F304H	A182
(2)(3)(4b)(35)	-30	483	276	538	161	161	161	160	158	F6a	A182
(2)(3)(4b)(35)	-30	586	379	649	195	195	195	194	191	F6a	A182
(2)(3)(4b)(25)	-50	752	552	316	251	251	249	244	239	...	A182
(2)(3)(4b)(25)	-50	752	552	316	251	251	249	244	239	...	A815
(2)(3)(4b)(35)	-30	758	586	40	253	...	...	...	...	F6a	A182
(2)(3)(4b)(35)	...	760-930	620	40	253	...	...	...	...	F6b	A182
(2)(3)(4b)(35)	-30	896	758	40	299	...	...	...	...	F6a	A182

(12)

**Table A-1M Basic Allowable Stresses in Tension for Metals (Metric)<sup>1</sup> (Cont'd)**  
 Numbers in Parentheses Refer to Notes for Appendix A Tables; Specifications Are ASTM Unless Otherwise Indicated

		Basic Allowable Stress, S, MPa (1), at Metal Temperature, °C														
Spec. No.	Type/Grade	175	200	225	250	275	300	325	350	375	400	425	450	475	500	525
A182	F347	138	138	138	138	137	135	132	130	128	127	126	126	125	125	125
A403	WP347	138	138	138	138	137	135	132	130	128	127	126	126	125	125	125
A182	F348	138	138	138	138	137	135	132	130	128	127	126	126	125	125	125
A403	WP348	138	138	138	138	137	135	132	130	128	127	126	126	125	125	125
A182	F321	138	138	138	135	131	128	125	123	120	119	117	116	114	113	112
A182	F321H	138	138	138	135	131	128	125	123	120	119	117	116	114	113	112
A403	WP321	138	138	138	135	131	128	125	123	120	119	117	116	114	113	112
A403	WP321H	138	138	138	135	131	128	125	123	120	119	117	116	114	113	112
A403	WP316H	138	134	129	125	122	119	116	114	112	111	110	109	108	107	106
A182	F316H	138	134	129	125	122	119	116	114	112	111	110	109	108	107	106
A403	WP347H	138	138	138	138	137	135	132	130	129	127	126	126	125	125	125
A182	F347	138	138	138	138	137	135	132	130	128	127	126	126	125	125	125
A403	WP347	138	138	138	138	137	135	132	130	129	127	126	126	125	125	125
A182	F348	138	138	138	138	137	135	132	130	128	127	126	126	125	125	125
A403	WP348	138	138	138	138	137	135	132	130	128	127	126	126	125	125	125
A182	F347H	138	138	138	138	137	135	132	130	129	127	126	126	125	125	125
A182	F348H	138	138	138	138	137	135	132	130	129	127	126	126	125	125	125
A182	F316	138	134	129	125	122	119	116	114	112	111	110	109	108	107	106
A403	WP316	138	134	129	125	122	119	116	114	112	111	110	109	108	107	106
A403	WP317	138	134	129	125	122	119	116	114	112	111	110	109	108	107	106
A182	F304	134	129	125	122	119	116	113	111	109	107	105	103	101	99.1	97.3
A403	WP304	134	129	125	122	119	116	113	111	109	107	105	103	101	99.1	97.3
A403	WP304H	134	129	125	122	119	116	113	111	109	107	105	103	101	99.1	97.3
A182	F304H	134	129	125	122	119	116	113	111	109	107	105	103	101	99.1	97.3
A182	F6a	156	155	154	153	152	150	148	145	142	137	133	125	92.5	68.4	51.1
A182	F6a	190	188	187	186	184	182	180	176	172	167	161	125	92.5	68.4	51.1
A182	...	237	235	234	234	234	234	234	...	...	...	...	...	...	...	...
A815	...	237	235	234	234	234	234	234	...	...	...	...	...	...	...	...
A182	F6a	...	...	...	...	...	...	...	...	...	...	...	...	...	...	...
A182	F6b	...	...	...	...	...	...	...	...	...	...	...	...	...	...	...
A182	F6a	...	...	...	...	...	...	...	...	...	...	...	...	...	...	...

**Table A-1M Basic Allowable Stresses in Tension for Metals (Metric)<sup>1</sup> (Cont'd)**  
 Numbers in Parentheses Refer to Notes for Appendix A Tables; Specifications Are ASTM Unless Otherwise Indicated

(12)

Basic Allowable Stress, S, MPa (1), at Metal Temperature, °C													Type/ Grade	Spec. No.
550	575	600	625	650	675	700	725	750	775	800	825			
97.6	75.9	57.2	40.2	30.3	23.2	16.2	11.4	8.97	7.08	5.89	5.52	F347	A182	
97.6	75.9	57.2	40.2	30.3	23.2	16.2	11.4	8.97	7.08	5.89	5.52	WP347	A403	
97.6	75.9	57.2	40.2	30.3	23.2	16.2	11.4	8.97	7.08	5.89	5.52	F348	A182	
97.6	75.9	57.2	40.2	30.3	23.2	16.2	11.4	8.97	7.08	5.89	5.52	WP348	A403	
100	76.5	58.7	46.0	36.8	28.7	23.0	18.4	14.5	11.5	9.02	7.58	F321	A182	
100	76.5	58.7	46.0	36.8	28.7	23.0	18.4	14.5	11.5	9.02	7.58	F321H	A182	
100	76.5	58.7	46.0	36.8	28.7	23.0	18.4	14.5	11.5	9.02	7.58	WP321	A403	
100	76.5	58.7	46.0	36.8	28.7	23.0	18.4	14.5	11.5	9.02	7.58	WP321H	A403	
105	97.8	80.8	65.0	50.4	38.6	29.6	23.0	17.4	13.3	10.4	8.96	WP316H	A403	
105	97.8	80.8	65.0	50.4	38.6	29.6	23.0	17.4	13.3	10.4	8.96	F316H	A182	
125	112	90.6	69.6	53.8	41.4	31.8	24.0	18.8	14.6	10.9	8.96	WP347H	A403	
125	112	90.6	69.6	53.8	41.4	31.8	24.0	18.8	14.6	10.9	8.96	F347	A182	
125	112	90.6	69.6	53.8	41.4	31.8	24.0	18.8	14.6	10.9	8.96	WP347	A403	
125	112	90.6	69.6	53.8	41.4	31.8	24.0	18.8	14.6	10.9	8.96	F348	A182	
125	112	90.6	69.6	53.8	41.4	31.8	24.0	18.8	14.6	10.9	8.96	WP348	A403	
125	112	90.6	69.6	53.8	41.4	31.8	24.0	18.8	14.6	10.9	8.96	F347H	A182	
125	112	90.6	69.6	53.8	41.4	31.8	24.0	18.8	14.6	10.9	8.96	F348H	A182	
105	97.8	80.8	65.0	50.4	38.6	29.6	23.0	17.4	13.3	10.4	8.96	F316	A182	
105	97.8	80.8	65.0	50.4	38.6	29.6	23.0	17.4	13.3	10.4	8.96	WP316	A403	
105	97.8	80.8	65.0	50.4	38.6	29.6	23.0	17.4	13.3	10.4	8.96	WP317	A403	
95.5	78.9	63.8	51.6	41.6	32.9	26.5	21.3	17.2	14.1	11.2	9.65	F304	A182	
95.5	78.9	63.8	51.6	41.6	32.9	26.5	21.3	17.2	14.1	11.2	9.65	WP304	A403	
95.5	78.9	63.8	51.6	41.6	32.9	26.5	21.3	17.2	14.1	11.2	9.65	WP304H	A403	
95.5	78.9	63.8	51.6	41.6	32.9	26.5	21.3	17.2	14.1	11.2	9.65	F304H	A182	
44.1	...	...	...	...	...	...	...	...	...	...	...	F6a	A182	
37.4	26.3	17.8	11.4	6.89	...	...	...	...	...	...	...	F6a	A182	
...	...	...	...	...	...	...	...	...	...	...	...	...	A182	
...	...	...	...	...	...	...	...	...	...	...	...	...	A815	
...	...	...	...	...	...	...	...	...	...	...	...	F6a	A182	
...	...	...	...	...	...	...	...	...	...	...	...	F6b	A182	
...	...	...	...	...	...	...	...	...	...	...	...	F6a	A182	

(12)

**Table A-1M Basic Allowable Stresses in Tension for Metals (Metric)<sup>1</sup> (Cont'd)**  
 Numbers in Parentheses Refer to Notes for Appendix A Tables; Specifications Are ASTM Unless Otherwise Indicated

Nominal Composition	Product Form	Spec. No.	Type/ Grade	UNS No.	Class/ Condition/ Temper	Size, mm	P-No. (5)
18Cr-8Ni	Bar	A479	304	S30400	...	...	8
18Cr-8Ni	Bar	A479	304H	S30409	...	...	8
18Cr-8Ni	Bar	A479	304L	S30403	...	...	8
16Cr-12Ni-2Mo	Bar	A479	316	S31600	...	...	8
16Cr-12Ni-2Mo	Bar	A479	316H	S31609	...	...	8
16Cr-12Ni-2Mo	Bar	A479	316L	S31603	...	...	8
18Cr-10Ni-Ti	Bar	A479	321	S32100	...	...	8
18Cr-10Ni-Ti	Bar	A479	321	S32100	...	...	8
18Cr-10Ni-Ti	Bar	A479	321H	S32109	...	...	8
18Cr-10Ni-Cb	Bar	A479	347	S34700	...	...	8
18Cr-10Ni-Cb	Bar	A479	347	S34700	...	...	8
18Cr-10Ni-Cb	Bar	A479	347H	S34709	...	...	8
22Cr-13Ni-5Mn	Bar	A479	XM-19	S20910	...	...	8
28Ni-20Cr-2Mo-3Cb	Castings	A351	CN7M	J95150	...	...	45
35Ni-15Cr-Mo	Castings	A351	HT30	N08603	...	...	45
25Cr-13Ni	Castings	A351	CH8	J93400	...	...	8
25Cr-20Ni	Castings	A351	CK20	J94202	...	...	8
15Cr-15Ni-2Mo-Cb	Castings	A351	CF10MC	...	...	...	8
18Cr-8Ni	Castings	A351	CF3	J92500	...	...	8
17Cr-10Ni-2Mo	Castings	A351	CF3M	J92800	...	...	8
18Cr-8Ni	Castings	A351	CF8	J92600	...	...	8
25Cr-13Ni	Castings	A351	CH10	J93401	...	...	8
25Cr-13Ni	Castings	A351	CH20	J93402	...	...	8
20Cr-10Ni-Cb	Castings	A351	CF8C	J92710	...	...	8
18Cr-10Ni-2Mo	Castings	A351	CF8M	J92900	...	...	8
25Cr-20Ni	Castings	A351	HK40	J94204	...	...	8
25Cr-20Ni	Castings	A351	HK30	J94203	...	...	8
18Cr-8Ni	Castings	A351	CF3A	J92500	...	...	8
18Cr-8Ni	Castings	A351	CF8A	J92600	...	...	8
25Cr-10Ni-N	Castings	A351	CE20N	J92802	...	...	8
12Cr	Castings	A217	CA15	J91150	...	...	6
24Cr-10Ni-Mo-N	Castings	A351	CE8MN	...	...	...	10H
25Cr-8Ni-3Mo-W-Cu-N	Castings	A351	CD3MWCuN	...	...	...	10H
13Cr-4Ni	Castings	A487	CA6NM	J91540	...	...	6

**Table A-1M Basic Allowable Stresses in Tension for Metals (Metric)<sup>1</sup> (Cont'd)**  
 Numbers in Parentheses Refer to Notes for Appendix A Tables; Specifications Are ASTM Unless Otherwise Indicated

Notes	Basic Allowable Stress, <i>S</i> , MPa (1), at Metal Temperature, °C										Type/ Grade	Spec. No.
	Min. Temp., °C (6)	Min. Tensile Strength, MPa	Min. Yield Strength, MPa	Max. Use Temp., °C								
					40	65	100	125	150			
(3)(4b)(26)(28)(31)	-255	517	207	816	138	138	138	138	138	304	A479	
(3)(4b)(26)(31)	-200	517	207	816	138	138	138	138	138	304H	A479	
(3)(4b)(31)	-255	483	172	816	115	115	115	115	115	304L	A479	
(3)(4b)(26)(28)(31)	-200	517	207	816	138	138	138	138	138	316	A479	
(3)(4b)(26)(31)	-200	517	207	816	138	138	138	138	138	316H	A479	
(3)(4b)(31)	-255	483	172	816	115	115	115	115	115	316L	A479	
(3)(4b)	-200	517	207	816	138	138	138	138	138	321	A479	
(3)(4b)(28)(30)	-200	517	207	816	138	138	138	138	138	321	A479	
(3)(4b)	-200	517	207	816	138	138	138	138	138	321H	A479	
(3)(4b)	-255	517	207	816	138	138	138	138	138	347	A479	
(3)(4b)(28)(30)	-255	517	207	816	138	138	138	138	138	347	A479	
(3)(4b)	-200	517	207	816	138	138	138	138	138	347H	A479	
(3)(4b)	-30	690	380	649	230	230	227	221	217	XM-19	A479	
(2)(3)(4b)(9)(30)	-200	427	172	40	115	...	...	...	...	CN7M	A351	
(2)(3)(4b)(36)(39)	-200	448	193	40	129	...	...	...	...	HT30	A351	
(2)(3)(4b)(9)(31)	-200	448	193	816	129	129	129	129	127	CH8	A351	
(2)(3)(4b)(9)(27)(31)(35)(39)	-200	448	193	816	129	129	129	129	127	CK20	A351	
(2)(3)(4b)(30)	-200	483	207	40	138	...	...	...	...	CF10MC	A351	
(2)(3)(4b)(9)	-255	483	207	427	138	138	138	138	138	CF3	A351	
(2)(3)(4b)(9)	-255	483	207	454	138	138	138	138	138	CF3M	A351	
(2)(3)(4b)(9)(26)(27)(31)	-255	483	207	816	138	138	138	138	138	CF8	A351	
(2)(3)(4b)(27)(31)(35)	-200	483	207	816	138	138	138	138	138	CH10	A351	
(2)(3)(4b)(9)(27)(31)(35)(39)	-200	483	207	816	138	138	138	138	138	CH20	A351	
(2)(3)(4b)(9)(27)(30)	-200	483	207	800	138	138	138	138	138	CF8C	A351	
(2)(3)(4b)(9)(26)(27)(30)	-255	483	207	816	138	138	138	138	138	CF8M	A351	
(2)(3)(4b)(35)(36)(39)	-200	427	241	40	142	...	...	...	...	HK40	A351	
(2)(3)(4b)(35)(39)	-200	448	241	40	149	...	...	...	...	HK30	A351	
(2)(3)(4b)(9)(56)	-255	531	241	371	161	161	161	160	156	CF3A	A351	
(2)(3)(4b)(9)(26)(56)	-255	531	241	371	161	161	161	160	156	CF8A	A351	
(2)(3)(4b)(35)(39)	-200	552	276	482	184	184	184	184	184	CE20N	A351	
(2)(3)(4b)(35)	-30	621	448	649	207	207	207	205	203	CA15	A217	
(2)(3)(4b)(9)	-50	655	448	316	218	218	216	208	201	CE8MN	A351	
(2)(3)(4b)(9)(25)	-50	689	448	316	230	230	227	221	216	CD3MWCuN	A351	
(2)(3)(4b)(9)(35)	-30	758	552	371	253	253	253	251	248	CA6NM	A487	

(12)

**Table A-1M Basic Allowable Stresses in Tension for Metals (Metric)<sup>1</sup> (Cont'd)**  
 Numbers in Parentheses Refer to Notes for Appendix A Tables; Specifications Are ASTM Unless Otherwise Indicated

		Basic Allowable Stress, S, MPa (1), at Metal Temperature, °C														
Spec. No.	Type/Grade	175	200	225	250	275	300	325	350	375	400	425	450	475	500	525
A479	304	134	129	125	122	119	116	113	111	109	107	105	103	101	99.1	97.3
A479	304H	134	129	125	122	119	116	113	111	109	107	105	103	101	99.1	97.3
A479	304L	114	110	106	103	99.9	97.7	95.7	94.1	92.6	91.3	90.0	88.7	87.3	85.6	83.7
A479	316	138	134	129	125	122	119	116	114	112	111	110	109	108	107	106
A479	316H	138	134	129	125	122	119	116	114	112	111	110	109	108	107	106
A479	316L	113	109	106	103	100	98.1	96.1	94.3	92.6	90.9	89.3	87.6	85.9	84.2	82.5
A479	321	138	138	138	135	131	128	125	123	120	119	117	116	114	113	112
A479	321	138	138	138	135	131	128	125	123	120	119	117	116	114	113	112
A479	321H	138	138	138	135	131	128	125	123	120	119	117	116	114	113	112
A479	347	138	138	138	138	137	135	132	130	128	127	126	126	125	125	125
A479	347	138	138	138	138	137	135	132	130	128	127	126	126	125	125	125
A479	347H	138	138	138	138	137	135	132	130	128	127	126	126	125	125	125
A479	XM-19	213	210	207	205	204	202	201	200	199	197	195	193	191	188	183
A351	CN7M	...	...	...	...	...	...	...	...	...	...	...	...	...	...	...
A351	HT30	...	...	...	...	...	...	...	...	...	...	...	...	...	...	...
A351	CH8	125	124	124	123	121	119	117	115	112	109	106	103	100	96.9	93.7
A351	CK20	125	124	124	123	121	119	117	115	112	109	106	103	100	96.9	93.7
A351	CF10MC	...	...	...	...	...	...	...	...	...	...	...	...	...	...	...
A351	CF3	134	129	125	122	119	116	113	111	109	107	105	103	...	...	...
A351	CF3M	138	133	129	125	122	119	116	114	112	111	109	108	107	...	...
A351	CF8	134	129	125	122	119	116	113	111	109	107	105	103	101	99.1	<b>94.4</b>
A351	CH10	138	138	138	138	138	138	138	138	138	138	138	138	138	138	138
A351	CH20	138	138	138	138	138	138	138	138	138	138	138	138	138	138	138
A351	CF8C	138	138	138	138	138	138	138	<b>97.0</b>	<b>84.3</b>	<b>73.3</b>	<b>64.0</b>	<b>55.8</b>	<b>43.9</b>	<b>31.7</b>	<b>21.4</b>
A351	CF8M	134	129	125	122	119	116	113	111	109	107	105	103	101	99.1	97.3
A351	HK40	...	...	...	...	...	...	...	...	...	...	...	...	...	...	...
A351	HK30	...	...	...	...	...	...	...	...	...	...	...	...	...	...	...
A351	CF3A	153	151	146	142	138	135	132	130	127	...	...	...	...	...	...
A351	CF8A	153	151	146	142	138	135	132	130	127	...	...	...	...	...	...
A351	CE20N	184	184	184	184	184	184	184	184	184	184	184	184	184	184	...
A217	CA15	201	199	198	197	195	193	190	187	182	<b>120</b>	<b>116</b>	<b>105</b>	<b>82.1</b>	<b>59.9</b>	<b>41.8</b>
A351	CE8MN	197	195	194	194	194	194	194	...	...	...	...	...	...	...	...
A351	CD3MWCuN	212	209	207	206	205	204	204	...	...	...	...	...	...	...	...
A487	CA6NM	245	244	242	240	238	236	232	228	224	...	...	...	...	...	...

**Table A-1M Basic Allowable Stresses in Tension for Metals (Metric)<sup>1</sup> (Cont'd)**  
 Numbers in Parentheses Refer to Notes for Appendix A Tables; Specifications Are ASTM Unless Otherwise Indicated

(12)

Basic Allowable Stress, S, MPa (1), at Metal Temperature, °C													Type/ Grade	Spec. No.
550	575	600	625	650	675	700	725	750	775	800	825			
95.5	<b>78.9</b>	<b>63.8</b>	<b>51.6</b>	<b>41.6</b>	<b>32.9</b>	<b>26.5</b>	<b>21.3</b>	<b>17.2</b>	<b>14.1</b>	<b>11.2</b>	<b>9.65</b>	304	A479	
95.5	<b>78.9</b>	<b>63.8</b>	<b>51.6</b>	<b>41.6</b>	<b>32.9</b>	<b>26.5</b>	<b>21.3</b>	<b>17.2</b>	<b>14.1</b>	<b>11.2</b>	<b>9.65</b>	304H	A479	
81.4	<b>40.4</b>	<b>33.2</b>	<b>26.7</b>	<b>21.9</b>	<b>18.2</b>	<b>15.0</b>	<b>12.4</b>	<b>8.87</b>	<b>7.20</b>	<b>6.58</b>	<b>6.21</b>	304L	A479	
105	<b>97.8</b>	<b>80.8</b>	<b>65.0</b>	<b>50.4</b>	<b>38.6</b>	<b>29.6</b>	<b>23.0</b>	<b>17.4</b>	<b>13.3</b>	<b>10.4</b>	<b>8.96</b>	316	A479	
105	<b>97.8</b>	<b>80.8</b>	<b>65.0</b>	<b>50.4</b>	<b>38.6</b>	<b>29.6</b>	<b>23.0</b>	<b>17.4</b>	<b>13.3</b>	<b>10.4</b>	<b>8.96</b>	316H	A479	
80.8	<b>73.0</b>	<b>67.9</b>	<b>58.0</b>	<b>43.6</b>	<b>33.0</b>	<b>25.3</b>	<b>18.8</b>	<b>14.0</b>	<b>10.4</b>	<b>7.99</b>	<b>6.89</b>	316L	A479	
<b>88.7</b>	<b>59.2</b>	<b>44.0</b>	<b>32.9</b>	<b>24.5</b>	<b>18.3</b>	<b>12.5</b>	<b>8.49</b>	<b>6.19</b>	<b>4.28</b>	<b>2.78</b>	<b>2.07</b>	321	A479	
<b>100</b>	<b>76.5</b>	<b>58.7</b>	<b>46.0</b>	<b>36.8</b>	<b>28.7</b>	<b>23.0</b>	<b>18.4</b>	<b>14.5</b>	<b>11.5</b>	<b>9.02</b>	<b>7.58</b>	321	A479	
<b>100</b>	<b>76.5</b>	<b>58.7</b>	<b>46.0</b>	<b>36.8</b>	<b>28.7</b>	<b>23.0</b>	<b>18.4</b>	<b>14.5</b>	<b>11.5</b>	<b>9.02</b>	<b>7.58</b>	321H	A479	
<b>97.6</b>	<b>75.9</b>	<b>57.2</b>	<b>40.2</b>	<b>30.3</b>	<b>23.2</b>	<b>16.2</b>	<b>11.4</b>	<b>8.97</b>	<b>7.08</b>	<b>5.89</b>	<b>5.52</b>	347	A479	
125	<b>112</b>	<b>90.6</b>	<b>69.6</b>	<b>53.8</b>	<b>41.4</b>	<b>31.8</b>	<b>24.0</b>	<b>18.8</b>	<b>14.6</b>	<b>10.9</b>	<b>8.96</b>	347	A479	
125	<b>112</b>	<b>90.6</b>	<b>69.6</b>	<b>53.8</b>	<b>41.4</b>	<b>31.8</b>	<b>24.0</b>	<b>18.8</b>	<b>14.6</b>	<b>10.9</b>	<b>8.96</b>	347H	A479	
<i>179</i>	<i>174</i>	132	83.6	56.1	...	...	...	...	...	...	...	XM-19	A479	
...	...	...	...	...	...	...	...	...	...	...	...	CN7M	A351	
...	...	...	...	...	...	...	...	...	...	...	...	HT30	A351	
<b>68.1</b>	<b>53.5</b>	<b>42.1</b>	<b>33.2</b>	<b>25.9</b>	<b>20.3</b>	<b>16.5</b>	<b>13.2</b>	<b>10.1</b>	<b>7.35</b>	<b>5.89</b>	<b>5.52</b>	CH8	A351	
<b>73.2</b>	<b>64.4</b>	<b>56.5</b>	<b>49.0</b>	<b>41.0</b>	<b>33.5</b>	<b>25.4</b>	<b>18.3</b>	<b>12.8</b>	<b>9.01</b>	<b>6.59</b>	<b>5.52</b>	CK20	A351	
...	...	...	...	...	...	...	...	...	...	...	...	CF10MC	A351	
...	...	...	...	...	...	...	...	...	...	...	...	CF3	A351	
...	...	...	...	...	...	...	...	...	...	...	...	CF3M	A351	
<b>75.3</b>	<b>60.4</b>	<b>49.0</b>	<b>40.1</b>	<b>32.8</b>	<b>27.2</b>	<b>23.4</b>	<b>19.6</b>	<b>16.8</b>	<b>14.7</b>	<b>12.8</b>	<b>11.7</b>	CF8	A351	
<b>68.1</b>	<b>53.5</b>	<b>42.1</b>	<b>33.2</b>	<b>25.9</b>	<b>20.3</b>	<b>16.5</b>	<b>13.2</b>	<b>10.1</b>	<b>7.35</b>	<b>5.89</b>	<b>5.52</b>	CH10	A351	
<b>68.1</b>	<b>53.5</b>	<b>42.1</b>	<b>33.2</b>	<b>25.9</b>	<b>20.3</b>	<b>16.5</b>	<b>13.2</b>	<b>10.1</b>	<b>7.35</b>	<b>5.89</b>	<b>5.52</b>	CH20	A351	
<b>14.2</b>	<b>9.40</b>	<b>6.16</b>	<b>4.03</b>	<b>2.64</b>	<b>1.73</b>	<b>1.13</b>	<b>0.74</b>	<b>0.49</b>	<b>0.32</b>	<b>0.21</b>	...	CF8C	A351	
95.5	<b>75.9</b>	<b>57.2</b>	<b>40.2</b>	<b>30.3</b>	<b>23.2</b>	<b>16.2</b>	<b>11.4</b>	<b>8.97</b>	<b>7.08</b>	<b>5.89</b>	<b>5.52</b>	CF8M	A351	
...	...	...	...	...	...	...	...	...	...	...	...	HK40	A351	
...	...	...	...	...	...	...	...	...	...	...	...	HK30	A351	
...	...	...	...	...	...	...	...	...	...	...	...	CF3A	A351	
...	...	...	...	...	...	...	...	...	...	...	...	CF8A	A351	
...	...	...	...	...	...	...	...	...	...	...	...	CE20N	A351	
<b>28.7</b>	<b>20.1</b>	<b>14.3</b>	<b>9.77</b>	<b>6.89</b>	...	...	...	...	...	...	...	CA15	A217	
...	...	...	...	...	...	...	...	...	...	...	...	CE8MN	A351	
...	...	...	...	...	...	...	...	...	...	...	...	CD3MWCuN	A351	
...	...	...	...	...	...	...	...	...	...	...	...	CA6NM	A487	

(12)

**Table A-1M Basic Allowable Stresses in Tension for Metals (Metric)<sup>1</sup> (Cont'd)**

Numbers in Parentheses Refer to Notes for Appendix A Tables; Specifications Are ASTM Unless Otherwise Indicated

Nominal Composition	Product Form	Spec. No.	UNS No.	Class/ Condition/ Temper	Size, mm	P- No. (5)	Notes	Min. Temp., °C (6)	Min.	Min.
									Tensile Strength, MPa	Yield Strength, MPa
Cu	Pipe	B42	C10200	O61	...	31	(2)	-270	207	62
Cu	Pipe	B42	C12000	O61	...	31	(2)	-270	207	62
Cu	Pipe	B42	C12200	O61	...	31	(2)	-270	207	62
Cu	Tube	B75	C10200	O50	...	31	(2)	-270	207	62
Cu	Tube	B75	C10200	O60	...	31	(2)	-270	207	62
Cu	Tube	B75	C12000	O50	...	31	(2)	-270	207	62
Cu	Tube	B75	C12000	O60	...	31	(2)	-270	207	62
Cu	Tube	B75	C12200	O50	...	31	(2)	-270	207	62
Cu	Tube	B75	C12200	O60	...	31	(2)	-270	207	62
Cu	Tube	B68	C12200	O50	...	31	(2)(24)	-270	207	62
Cu	Tube	B68	C12200	O60	...	31	(2)(24)	-270	207	62
Cu	Tube	B88	C12200	O50	...	31	(2)(24)	-270	207	62
Cu	Tube	B88	C12200	O60	...	31	(2)(24)	-270	207	62
Cu	Tube	B280	C12200	O60	...	31	(2)(24)	-270	207	62
Red brass	Pipe	B43	C23000	O61	...	32	(2)	-270	276	83
90Cu-10Ni	Pipes & tubes	B467	C70600	W050	> 114 O.D.	34	(2)(14)	-270	262	90
90Cu-10Ni	Pipes & tubes	B467	C70600	W061	> 114 O.D.	34	(2)(14)	-270	262	90
90Cu-10Ni	Pipes & tubes	B466	C70600	Annealed	...	34	(2)(14)	-270	262	90
90Cu-10Ni	Pipes & tubes	B467	C70600	W050	≤ 114 O.D.	34	(2)(14)	-270	276	103
90Cu-10Ni	Pipes & tubes	B467	C70600	W061	≤ 114 O.D.	34	(2)(14)	-270	276	103
70Cu-30Ni	Pipes & tubes	B467	C71500	W050	> 114 O.D.	34	(2)(14)	-270	310	103
70Cu-30Ni	Pipes & tubes	B467	C71500	W061	> 114 O.D.	34	(2)(14)	-270	310	103
80Cu-20Ni	Pipes & tubes	B466	C71000	Annealed	≤ 114 O.D.	34	(2)(14)	-270	310	110
Cu	Pipe	B42	C10200	H55	DN 64 thru 300	31	(2)(14)(34)	-270	248	207
Cu	Pipe	B42	C12000	H55	DN 64 thru 300	31	(2)(14)(34)	-270	248	207
Cu	Pipe	B42	C12200	H55	DN 64 thru 300	31	(2)(14)(34)	-270	248	207
Cu	Tube	B75	C10200	H58	...	31	(2)(14)(34)	-270	248	207
Cu	Tube	B75	C12000	H58	...	31	(2)(14)(34)	-270	248	207
Cu	Tube	B75	C12200	H58	...	31	(2)(14)(34)	-270	248	207
Cu	Tube	B88	C12200	H58	...	31	(2)(14)(24) (34)	-270	248	207
70Cu-30Ni	Pipes & tubes	B466	C71500	O60	...	34	(2)(14)	-270	359	124
70Cu-30Ni	Pipes & tubes	B467	C71500	W050	≤ 114 O.D.	34	(2)(14)	-270	345	138
70Cu-30Ni	Pipes & tubes	B467	C71500	W061	≤ 114 O.D.	34	(2)(14)	-270	345	138



**Table A-1M Basic Allowable Stresses in Tension for Metals (Metric)<sup>1</sup> (Cont'd)**  
 Numbers in Parentheses Refer to Notes for Appendix A Tables; Specifications Are ASTM Unless Otherwise Indicated

Max. Use Temp., °C	Basic Allowable Stress, S, MPa (1), at Metal Temperature, °C														UNS No.	Spec. No.
	40	65	100	125	150	175	200	225	250	275	300	325	350	375		
260	41.4	34.9	33.5	32.9	32.2	<b>28.0</b>	<b>21.7</b>	<b>16.7</b>	<b>12.9</b>	<b>11.6</b>	...	...	...	...	C10200	B42
260	41.4	34.9	33.5	32.9	32.2	<b>28.0</b>	<b>21.7</b>	<b>16.7</b>	<b>12.9</b>	<b>11.6</b>	...	...	...	...	C12000	B42
260	41.4	34.9	33.5	32.9	32.2	<b>28.0</b>	<b>21.7</b>	<b>16.7</b>	<b>12.9</b>	<b>11.6</b>	...	...	...	...	C12200	B42
260	41.4	34.9	33.5	32.9	32.2	<b>28.0</b>	<b>21.7</b>	<b>16.7</b>	<b>12.9</b>	<b>11.6</b>	...	...	...	...	C10200	B75
260	41.4	34.9	33.5	32.9	32.2	<b>28.0</b>	<b>21.7</b>	<b>16.7</b>	<b>12.9</b>	<b>11.6</b>	...	...	...	...	C10200	B75
260	41.4	34.9	33.5	32.9	32.2	<b>28.0</b>	<b>21.7</b>	<b>16.7</b>	<b>12.9</b>	<b>11.6</b>	...	...	...	...	C12000	B75
260	41.4	34.9	33.5	32.9	32.2	<b>28.0</b>	<b>21.7</b>	<b>16.7</b>	<b>12.9</b>	<b>11.6</b>	...	...	...	...	C12000	B75
260	41.4	34.9	33.5	32.9	32.2	<b>28.0</b>	<b>21.7</b>	<b>16.7</b>	<b>12.9</b>	<b>11.6</b>	...	...	...	...	C12200	B75
260	41.4	34.9	33.5	32.9	32.2	<b>28.0</b>	<b>21.7</b>	<b>16.7</b>	<b>12.9</b>	<b>11.6</b>	...	...	...	...	C12200	B75
260	41.4	34.9	33.5	32.9	32.2	<b>28.0</b>	<b>21.7</b>	<b>16.7</b>	<b>12.9</b>	<b>11.6</b>	...	...	...	...	C12200	B68
260	41.4	34.9	33.5	32.9	32.2	<b>28.0</b>	<b>21.7</b>	<b>16.7</b>	<b>12.9</b>	<b>11.6</b>	...	...	...	...	C12200	B68
260	41.4	34.9	33.5	32.9	32.2	<b>28.0</b>	<b>21.7</b>	<b>16.7</b>	<b>12.9</b>	<b>11.6</b>	...	...	...	...	C12200	B88
260	41.4	34.9	33.5	32.9	32.2	<b>28.0</b>	<b>21.7</b>	<b>16.7</b>	<b>12.9</b>	<b>11.6</b>	...	...	...	...	C12200	B88
260	41.4	34.9	33.5	32.9	32.2	<b>28.0</b>	<b>21.7</b>	<b>16.7</b>	<b>12.9</b>	<b>11.6</b>	...	...	...	...	C12200	B280
232	55.2	54.7	54.7	54.7	54.7	54.7	<b>36.4</b>	<b>17.5</b>	<b>13.8</b>	...	...	...	...	...	C23000	B43
316	59.8	58.0	56.1	54.9	53.8	52.9	52.0	51.2	50.4	49.7	<b>45.1</b>	<b>39.3</b>	...	...	C70600	B467
316	59.8	58.0	56.1	54.9	53.8	52.9	52.0	51.2	50.4	49.7	<b>45.1</b>	<b>39.3</b>	...	...	C70600	B467
316	59.8	58.0	56.1	54.9	53.8	52.9	52.0	51.2	50.4	49.7	<b>45.1</b>	<b>39.3</b>	...	...	C70600	B466
316	68.9	67.0	65.1	63.7	62.4	61.1	60.0	59.1	58.3	<b>51.3</b>	<b>45.1</b>	<b>39.3</b>	...	...	C70600	B467
316	68.9	67.0	65.1	63.7	62.4	61.1	60.0	59.1	58.3	<b>51.3</b>	<b>45.1</b>	<b>39.3</b>	...	...	C70600	B467
371	68.9	66.6	64.6	63.2	61.9	60.7	59.5	58.4	57.4	<b>56.2</b>	<b>55.5</b>	<b>54.9</b>	<b>54.3</b>	<b>53.8</b>	C71500	B467
371	68.9	66.6	64.6	63.2	61.9	60.7	59.5	58.4	57.4	<b>56.2</b>	<b>55.5</b>	<b>54.9</b>	<b>54.3</b>	<b>53.8</b>	C71500	B467
371	73.5	72.8	72.1	71.4	70.6	69.6	68.3	66.6	64.7	62.4	60.0	<b>56.2</b>	<b>51.9</b>	<b>48.3</b>	C71000	B466
204	<i>82.7</i>	<i>80.0</i>	<i>74.1</i>	<i>71.3</i>	<i>69.2</i>	<i>67.4</i>	<i>65.7</i>	<i>65.3</i>	...	...	...	...	...	...	C10200	B42
204	<i>82.7</i>	<i>80.0</i>	<i>74.1</i>	<i>71.3</i>	<i>69.2</i>	<i>67.4</i>	<i>65.7</i>	<i>65.3</i>	...	...	...	...	...	...	C12000	B42
204	<i>82.7</i>	<i>80.0</i>	<i>74.1</i>	<i>71.3</i>	<i>69.2</i>	<i>67.4</i>	<i>65.7</i>	<i>65.3</i>	...	...	...	...	...	...	C12200	B42
204	<i>82.7</i>	<i>80.0</i>	<i>74.1</i>	<i>71.3</i>	<i>69.2</i>	<i>67.4</i>	<i>65.7</i>	<i>65.3</i>	...	...	...	...	...	...	C10200	B75
204	<i>82.7</i>	<i>80.0</i>	<i>74.1</i>	<i>71.3</i>	<i>69.2</i>	<i>67.4</i>	<i>65.7</i>	<i>65.3</i>	...	...	...	...	...	...	C12000	B75
204	<i>82.7</i>	<i>80.0</i>	<i>74.1</i>	<i>71.3</i>	<i>69.2</i>	<i>67.4</i>	<i>65.7</i>	<i>65.3</i>	...	...	...	...	...	...	C12200	B75
204	<i>82.7</i>	<i>80.0</i>	<i>74.1</i>	<i>71.3</i>	<i>69.2</i>	<i>67.4</i>	<i>65.7</i>	<i>65.3</i>	...	...	...	...	...	...	C12200	B88
371	82.7	79.8	77.5	75.9	74.3	72.9	71.5	70.2	68.9	67.8	66.8	65.9	65.3	64.8	C71500	B466
371	91.9	88.7	86.1	84.3	82.6	81.0	79.4	78.0	76.6	75.3	74.2	73.2	72.5	71.7	C71500	B467
371	91.9	88.7	86.1	84.3	82.6	81.0	79.4	78.0	76.6	75.3	74.2	73.2	72.5	71.7	C71500	B467

(12)

**Table A-1M Basic Allowable Stresses in Tension for Metals (Metric)<sup>1</sup> (Cont'd)**

Numbers in Parentheses Refer to Notes for Appendix A Tables; Specifications Are ASTM Unless Otherwise Indicated

Nominal Composition	Product Form	Spec. No.	UNS No.	Class/ Condition/ Temper	Size, mm	P- No. (5)	Notes	Min. Temp., °C (6)	Min.	Min.
									Tensile Strength, MPa	Yield Strength, MPa
Cu	Pipe	B42	C10200	H80	DN 6 thru 50	31	(2)(14)(34)	-270	310	276
Cu	Pipe	B42	C12000	H80	DN 6 thru 50	31	(2)(14)(34)	-270	310	276
Cu	Pipe	B42	C12200	H80	DN 6 thru 50	31	(2)(14)(34)	-270	310	276
Cu	Tube	B75	C10200	H80	...	31	(2)(14)(34)	-270	310	276
Cu	Tube	B75	C12000	H80	...	31	(2)(14)(34)	-270	310	276
Cu	Tube	B75	C12200	H80	...	31	(2)(14)(34)	-270	310	276
Cu	Plates & sheets	B152	C10200	O25	...	31	(14)(24)	-270	207	69
Cu	Plates & sheets	B152	C10400	O25	...	31	(14)(24)	-270	207	69
Cu	Plates & sheets	B152	C10500	O25	...	31	(14)(24)	-270	207	69
Cu	Plates & sheets	B152	C10700	O25	...	31	(14)(24)	-270	207	69
Cu	Plates & sheets	B152	C12200	O25	...	31	(14)(24)	-270	207	69
Cu	Plates & sheets	B152	C12300	O25	...	31	(14)(24)	-270	207	69
90Cu-10Ni	Plates & sheets	B171	C70600	...	≤ 64 thk.	34	(14)	-270	276	103
Cu-Si	Plates & sheets	B96	C65500	O61	...	33	...	-270	359	124
70Cu-30Ni	Plates & sheets	B171	C71500	...	≤ 64 thk.	34	(14)	-270	345	138
Al-bronze	Plates & sheets	B169	C61400	O25	≤ 50 thk.	35	(13)	-270	483	207
Al-bronze	Plates & sheets	B169	C61400	O60	≤ 50 thk.	35	(13)	-270	483	207
Cu	Forgings	B283	C11000	...	...	31	(14)	-270	228	76
High Si-bronze (A)	Forgings	B283	C65500	...	...	33	(14)	-270	359	124
Forging brass	Forgings	B283	C37700	...	...	a	(14)	-200	400	159
Leaded naval brass	Forgings	B283	C48500	...	...	a	(14)	-200	427	165
Naval brass	Forgings	B283	C46400	...	...	32	(14)	-255	441	179
Mn-bronze (A)	Forgings	B283	C67500	...	...	32	(14)	-200	496	234
Composition bronze	Castings	B62	C83600	...	...	a	(2)(9)	-200	207	97
Leaded Ni-bronze	Castings	B584	C97300	...	...	a	(2)	-200	207	103
Leaded Ni-bronze	Castings	B584	C97600	...	...	a	(2)	-200	276	117
Leaded Sn-bronze	Castings	B584	C92300	...	...	a	(2)	-200	248	110
Leaded Sn-bronze	Castings	B584	C92200	...	...	a	(2)	-200	234	110
Steam bronze	Castings	B61	C92200	...	...	a	(2)(9)	-200	234	110
Sn-bronze	Castings	B584	C90300	...	...	b	(2)	-200	276	124
Sn-bronze	Castings	B584	C90500	...	...	b	(2)	-200	276	124

**Table A-1M Basic Allowable Stresses in Tension for Metals (Metric)<sup>1</sup> (Cont'd)**  
 Numbers in Parentheses Refer to Notes for Appendix A Tables; Specifications Are ASTM Unless Otherwise Indicated

Max. Use Temp., °C	Basic Allowable Stress, S, MPa (1), at Metal Temperature, °C														UNS No.	Spec. No.
	40	65	100	125	150	175	200	225	250	275	300	325	350	375		
204	103	100	92.6	89.1	86.5	84.3	35.8	29.6	...	...	...	...	...	...	C10200	B42
204	103	100	92.6	89.1	86.5	84.3	35.8	29.6	...	...	...	...	...	...	C12000	B42
204	103	100	92.6	89.1	86.5	84.3	35.8	29.6	...	...	...	...	...	...	C12200	B42
204	103	100	92.6	89.1	86.5	84.3	35.8	29.6	...	...	...	...	...	...	C10200	B75
204	103	100	92.6	89.1	86.5	84.3	35.8	29.6	...	...	...	...	...	...	C12000	B75
204	103	100	92.6	89.1	86.5	84.3	35.8	29.6	...	...	...	...	...	...	C12200	B75
260	46.0	39.1	37.1	36.5	34.2	28.0	21.7	16.7	12.9	11.6	...	...	...	...	C10200	B152
260	46.0	39.1	37.1	36.5	34.2	28.0	21.7	16.7	12.9	11.6	...	...	...	...	C10400	B152
260	46.0	39.1	37.1	36.5	34.2	28.0	21.7	16.7	12.9	11.6	...	...	...	...	C10500	B152
260	46.0	39.1	37.1	36.5	34.2	28.0	21.7	16.7	12.9	11.6	...	...	...	...	C10700	B152
260	46.0	39.1	37.1	36.5	34.2	28.0	21.7	16.7	12.9	11.6	...	...	...	...	C12200	B152
260	46.0	39.1	37.1	36.5	34.2	28.0	21.7	16.7	12.9	11.6	...	...	...	...	C12300	B152
316	68.9	67.0	65.1	63.7	62.4	61.1	60.0	59.1	58.3	51.3	45.1	39.3	...	...	C70600	B171
177	82.7	82.3	81.5	80.8	80.0	70.6	68.9	...	...	...	...	...	...	...	C65500	B96
371	91.9	88.7	86.1	84.3	82.6	81.0	79.4	78.0	76.6	75.3	74.2	73.2	72.5	71.7	C71500	B171
260	138	137	136	135	135	134	133	131	130	130	...	...	...	...	C61400	B169
260	138	137	136	135	135	134	133	131	130	130	...	...	...	...	C61400	B169
260	50.6	42.8	40.8	40.2	34.2	28.0	21.7	16.7	12.9	11.6	...	...	...	...	C11000	B283
204	82.7	82.3	81.5	80.8	80.0	70.6	49.3	46.2	...	...	...	...	...	...	C65500	B283
204	106	99.8	94.5	91.1	71.4	52.8	17.0	13.8	...	...	...	...	...	...	C37700	B283
204	110	110	110	110	110	110	110	110	...	...	...	...	...	...	C48500	B283
204	120	120	120	120	118	118	20.0	17.2	...	...	...	...	...	...	C46400	B283
204	156	156	156	156	156	156	156	156	...	...	...	...	...	...	C67500	B283
232	64.4	64.4	62.6	59.1	55.7	53.0	51.2	50.3	50.1	...	...	...	...	...	C83600	B62
40	68.9	...	...	...	...	...	...	...	...	...	...	...	...	...	C97300	B584
149	78.1	69.6	64.9	62.5	60.3	...	...	...	...	...	...	...	...	...	C97600	B584
204	73.5	73.5	73.5	73.5	73.5	73.5	73.5	73.5	...	...	...	...	...	...	C92300	B584
204	73.5	66.4	65.3	64.6	63.3	61.5	59.6	58.1	...	...	...	...	...	...	C92200	B584
288	73.5	66.4	65.3	64.6	63.3	61.5	59.6	58.1	57.5	57.5	57.3	...	...	...	C92200	B61
204	82.7	82.7	82.7	82.7	82.7	82.7	82.7	82.7	...	...	...	...	...	...	C90300	B584
204	82.7	82.7	82.7	82.7	82.7	82.7	82.7	82.7	...	...	...	...	...	...	C90500	B584

(12)

**Table A-1M Basic Allowable Stresses in Tension for Metals (Metric)<sup>1</sup> (Cont'd)**

Numbers in Parentheses Refer to Notes for Appendix A Tables; Specifications Are ASTM Unless Otherwise Indicated

Nominal Composition	Product Form	Spec. No.	UNS No.	Class/ Condition/ Temper	Size, mm	P- No. (5)	Notes	Min. Temp., °C (6)	Min.	Min.
									Tensile Strength, MPa	Yield Strength, MPa
Leaded Mn-bronze	Castings	B584	C86400	...	...	a	(2)(9)	-200	414	138
Leaded Ni-bronze	Castings	B584	C97800	...	...	a	(2)	-200	345	152
No. 1 Mn-bronze	Castings	B584	C86500	...	...	b	(2)	-200	448	172
Al-bronze	Castings	B148	C95200	...	...	35	(2)(9)	-255	448	172
Al-bronze	Castings	B148	C95300	...	...	35	(2)(9)	-255	448	172
Si-Al-bronze	Castings	B148	C95600	...	...	35	(2)	-200	414	193
Al-bronze	Castings	B148	C95400	...	...	35	(2)	-200	517	207
Mn-bronze	Castings	B584	C86700	...	...	a	(2)	-200	552	221
Al-bronze	Castings	B148	C95500	...	...	35	(2)	-270	621	276
High strength Mn-bronze	Castings	B584	C86200	...	...	b	(2)	-200	621	310
High strength Mn-bronze	Castings	B584	C86300	...	...	b	(2)	-200	758	414
Si-brass	Rod	B371	C69300	H02	≤ 12	a	...	-200	585	310
Si-brass	Rod	B371	C69300	H02	> 12, ≤ 25	a	...	-200	515	240
Si-brass	Rod	B371	C69300	H02	> 25, ≤ 50	a	...	-200	480	205

**Table A-1M Basic Allowable Stresses in Tension for Metals (Metric)<sup>1</sup> (Cont'd)**  
 Numbers in Parentheses Refer to Notes for Appendix A Tables; Specifications Are ASTM Unless Otherwise Indicated

Max. Use Temp., °C	Basic Allowable Stress, S, MPa (1), at Metal Temperature, °C														UNS No.	Spec. No.
	40	65	100	125	150	175	200	225	250	275	300	325	350	375		
177	91.9	91.9	91.9	91.9	91.9	91.9	91.9	...	...	...	...	...	...	...	C86400	B584
177	101	101	101	101	101	101	101	...	...	...	...	...	...	...	C97800	B584
177	115	115	115	115	115	115	115	...	...	...	...	...	...	...	C86500	B584
316	115	108	104	102	99.8	98.6	97.8	97.5	97.4	97.4	<b>65.9</b>	<b>43.7</b>	...	...	C95200	B148
316	115	115	115	115	115	115	115	115	115	115	115	115	...	...	C95300	B148
40	129	...	...	...	...	...	...	...	...	...	...	...	...	...	C95600	B148
260	138	131	128	128	128	128	128	128	<b>101</b>	<b>95.8</b>	...	...	...	...	C95400	B148
177	147	147	147	147	147	147	147	...	...	...	...	...	...	...	C86700	B584
260	184	184	184	184	184	184	184	184	184	184	...	...	...	...	C95500	B148
177	207	207	207	207	207	207	207	...	...	...	...	...	...	...	C86200	B584
177	253	253	253	253	253	253	253	...	...	...	...	...	...	...	C86300	B584
149	195	179	176	176	176	...	...	...	...	...	...	...	...	...	C69300	B371
149	161	139	137	137	137	...	...	...	...	...	...	...	...	...	C69300	B371
149	138	119	117	117	117	...	...	...	...	...	...	...	...	...	C69300	B371

(12)

**Table A-1M Basic Allowable Stresses in Tension for Metals (Metric)<sup>1</sup> (Cont'd)**  
 Numbers in Parentheses Refer to Notes for Appendix A Tables; Specifications Are ASTM Unless Otherwise Indicated

Nominal Composition	Product Form	Spec. No.	Type/ Grade	UNS No.	Class/Condition/Temper	Size, mm
Low C–Ni	Pipes & tubes	B161	...	N02201	Annealed	> 125
Low C–Ni	Pipes & tubes	B725	...	N02201	Annealed	> 125
Ni	Pipes & tubes	B161	...	N02200	Annealed	> 125
Ni	Pipes & tubes	B725	...	N02200	Annealed	> 125
Low C–Ni	Pipes & tubes	B161	...	N02201	Annealed	≤ 125
Low C–Ni	Pipes & tubes	B725	...	N02201	Annealed	≤ 125
Ni	Pipes & tubes	B161	...	N02200	Annealed	≤ 125
Ni	Pipes & tubes	B725	...	N02200	Annealed	≤ 125
Ni–Cu	Pipes & tubes	B165	...	N04400	Annealed	> 125
Ni–Cu	Pipes & tubes	B725	...	N04400	Annealed	> 125
Ni–Fe–Cr	Pipes & tubes	B407	...	N08800	H.F. or H.F. ann.	...
Ni–Cr–Fe	Pipes & tubes	B167	...	N06600	H.F. or H.F. ann.	> 125
Ni–Fe–Cr	Pipes & tubes	B407	...	N08810	C.D. sol. ann. or H.F. ann.	...
Ni–Fe–Cr	Pipes & tubes	B514	...	N08810	Annealed	...
Ni–Fe–Cr	Pipes & tubes	B407	...	N08811	C.D. sol. ann. or H.F. ann.	...
Ni–Cu	Pipes & tubes	B165	...	N04400	Annealed	≤ 125
Ni–Cu	Pipes & tubes	B725	...	N04400	Annealed	≤ 125
Ni–Fe–Cr–Mo	Pipes & tubes	B619	...	N08320	Sol. ann.	...
Ni–Fe–Cr–Mo	Pipes & tubes	B622	...	N08320	Sol. ann.	...
Low C–Ni	Pipes & tubes	B161	...	N02201	Str. rel.	...
Low C–Ni	Pipes & tubes	B725	...	N02201	Str. rel.	...
Ni–Fe–Cr	Pipes & tubes	B514	...	N08800	Annealed	...
Ni–Cr–Fe	Pipes & tubes	B167	...	N06600	H.F. or H.F. ann.	≤ 125
Ni–Cr–Fe	Pipes & tubes	B167	...	N06600	C.D. ann.	> 125
Ni–Fe–Cr	Pipes & tubes	B407	...	N08800	C.D. ann.	...
Ni	Pipes & tubes	B161	...	N02200	Str. rel.	...
Ni	Pipes & tubes	B725	...	N02200	Str. rel.	...
Cr–Ni–Fe–Mo–Cu–Cb	Pipes & tubes	B464	...	N08020	Annealed	...
Cr–Ni–Fe–Mo–Cu–Cb	Pipes & tubes	B729	...	N08020	Annealed	...

**Table A-1M Basic Allowable Stresses in Tension for Metals (Metric)<sup>1</sup> (Cont'd)**  
 Numbers in Parentheses Refer to Notes for Appendix A Tables; Specifications Are ASTM Unless Otherwise Indicated

P-No. (5)	Notes	Min. Temp., °C (6)	Min. Tensile Strength, MPa	Min. Yield Strength, MPa	Max. Use Temp., °C	Basic Allowable Stress, S, MPa (1), at Metal Temperature, °C						UNS No. or Type/ Grade	Spec. No.
						40	65	100	125	150	175		
41	(2)(4b)	-200	345	69	649	46.0	44.7	43.9	43.6	43.3	43.2	N02201	B161
41	(2)(4b)	-200	345	69	649	46.0	44.7	43.9	43.6	43.3	43.2	N02201	B725
41	(2)(4b)	-200	379	83	316	55.2	55.2	55.2	55.2	55.2	55.2	N02200	B161
41	(2)(4b)	-200	379	83	316	55.2	55.2	55.2	55.2	55.2	55.2	N02200	B725
41	(2)(4b)	-200	345	83	649	55.2	53.8	52.8	52.3	51.9	51.7	N02201	B161
41	(2)(4b)	-200	345	83	649	55.2	53.8	52.8	52.3	51.9	51.7	N02201	B725
41	(2)(4b)	-200	379	103	316	68.9	68.9	68.9	68.9	68.9	68.9	N02200	B161
41	(2)(4b)	-200	379	103	316	68.9	68.9	68.9	68.9	68.9	68.9	N02200	B725
42	(2)(4b)	-200	483	172	482	115	106	99.7	96.2	93.6	91.9	N04400	B165
42	(2)(4b)	-200	483	172	482	115	106	99.7	96.2	93.6	91.9	N04400	B725
45	(2)(4b)	-200	448	172	816	115	115	115	115	115	115	N08800	B407
43	(2)(4b)	-200	517	172	649	115	115	115	115	115	115	N06600	B167
45	(2)(4b)(62)	-200	448	172	899	115	115	115	115	115	115	N08810	B407
45	(2)(4b)(62)	-200	448	172	899	115	115	115	115	115	115	N08810	B514
45	(2)(4b)(62)	-200	448	172	899	115	115	115	115	115	115	N08811	B407
42	(2)(4b)	-200	483	193	482	129	119	112	108	105	103	N04400	B165
42	(2)(4b)	-200	483	193	482	129	119	112	108	105	103	N04400	B725
45	(2)(4b)	-200	517	193	427	129	129	129	129	129	129	N08320	B619
45	(2)(4b)	-200	517	193	427	129	129	129	129	129	129	N08320	B622
41	(2)(4b)	-200	414	207	316	<i>138</i>	<i>138</i>	<i>138</i>	<i>137</i>	<i>137</i>	<i>137</i>	N02201	B161
41	(2)(4b)	-200	414	207	316	<i>138</i>	<i>138</i>	<i>138</i>	<i>137</i>	<i>137</i>	<i>137</i>	N02201	B725
45	(2)(4b)	-200	517	207	816	138	138	138	138	138	138	N08800	B514
43	(2)(4b)	-200	552	207	649	138	138	138	138	138	138	N06600	B167
43	(2)(4b)	-200	552	207	649	138	138	138	138	138	138	N06600	B167
45	(2)(4b)(61)	-200	517	207	816	138	138	138	138	138	138	N08800	B407
41	(2)(4b)	-200	448	276	316	<i>149</i>	<i>149</i>	<i>149</i>	<i>149</i>	<i>149</i>	<i>149</i>	N02200	B161
41	(2)(4b)	-200	448	276	316	<i>149</i>	<i>149</i>	<i>149</i>	<i>149</i>	<i>149</i>	<i>149</i>	N02200	B725
45	(2)(4b)	-200	552	241	427	161	161	161	161	161	161	N08020	B464
45	(2)(4b)	-200	552	241	427	161	161	161	161	161	161	N08020	B729

(12)

**Table A-1M Basic Allowable Stresses in Tension for Metals (Metric)<sup>1</sup> (Cont'd)**  
 Numbers in Parentheses Refer to Notes for Appendix A Tables; Specifications Are ASTM Unless Otherwise Indicated

Spec. No.	UNS No. or Type/Grade	Basic Allowable Stress, S, MPa (1), at Metal Temperature, °C														
		200	225	250	275	300	325	350	375	400	425	450	475	500	525	550
B161	N02201	43.2	43.2	43.2	43.2	43.2	43.1	42.9	42.6	42.1	41.5	40.7	<b>33.1</b>	<b>27.4</b>	<b>22.8</b>	<b>18.7</b>
B725	N02201	43.2	43.2	43.2	43.2	43.2	43.1	42.9	42.6	42.1	41.5	40.7	<b>33.1</b>	<b>27.4</b>	<b>22.8</b>	<b>18.7</b>
B161	N02200	55.2	55.2	55.2	55.2	55.2	55.2	...	...	...	...	...	...	...	...	...
B725	N02200	55.2	55.2	55.2	55.2	55.2	55.2	...	...	...	...	...	...	...	...	...
B161	N02201	51.6	51.6	51.6	51.6	51.6	51.6	51.5	51.2	50.7	49.9	<b>41.4</b>	<b>33.1</b>	<b>27.4</b>	<b>22.8</b>	<b>18.7</b>
B725	N02201	51.6	51.6	51.6	51.6	51.6	51.6	51.5	51.2	50.7	49.9	<b>41.4</b>	<b>33.1</b>	<b>27.4</b>	<b>22.8</b>	<b>18.7</b>
B161	N02200	68.9	68.9	68.9	68.9	68.9	68.9	...	...	...	...	...	...	...	...	...
B725	N02200	68.9	68.9	68.9	68.9	68.9	68.9	...	...	...	...	...	...	...	...	...
B165	N04400	90.9	90.4	90.4	90.4	90.4	90.4	90.4	89.8	89.0	88.0	<b>79.7</b>	<b>59.9</b>	<b>55.2</b>	...	...
B725	N04400	90.9	90.4	90.4	90.4	90.4	90.4	90.4	89.8	89.0	88.0	<b>79.7</b>	<b>59.9</b>	<b>55.2</b>	...	...
B407	N08800	115	115	115	115	115	115	115	115	115	115	115	115	115	115	113
B167	N06600	115	115	115	115	115	115	115	115	115	115	115	115	<b>84.8</b>	<b>58.4</b>	<b>39.7</b>
B407	N08810	115	115	115	115	115	113	110	108	106	104	102	100	98.6	97.1	95.7
B514	N08810	115	115	115	115	115	113	110	108	106	104	102	100	98.6	97.1	95.7
B407	N08811	115	115	115	115	115	113	110	108	106	104	102	100	98.6	97.1	95.7
B165	N04400	102	101	101	101	101	101	101	100	99.6	98.6	<b>79.7</b>	<b>59.9</b>	<b>55.2</b>	...	...
B725	N04400	102	101	101	101	101	101	101	100	99.6	98.6	<b>79.7</b>	<b>59.9</b>	<b>55.2</b>	...	...
B619	N08320	129	129	129	129	129	127	125	122	121	119	119	...	...	...	...
B622	N08320	129	129	129	129	129	127	125	122	121	119	119	...	...	...	...
B161	N02201	<i>137</i>	<i>137</i>	<i>136</i>	<i>135</i>	<i>133</i>	<i>130</i>	...	...	...	...	...	...	...	...	...
B725	N02201	<i>137</i>	<i>137</i>	<i>136</i>	<i>135</i>	<i>133</i>	<i>130</i>	...	...	...	...	...	...	...	...	...
B514	N08800	138	138	138	138	138	138	138	138	138	138	138	138	138	138	136
B167	N06600	138	138	138	138	138	138	138	138	138	138	138	138	<b>84.8</b>	<b>58.4</b>	<b>39.7</b>
B167	N06600	138	138	138	138	138	138	138	138	138	138	138	138	<b>84.8</b>	<b>58.4</b>	<b>39.7</b>
B407	N08800	138	138	138	138	138	138	138	138	138	138	138	138	138	138	136
B161	N02200	<i>149</i>	<i>149</i>	<i>148</i>	<i>146</i>	<i>144</i>	<i>141</i>	...	...	...	...	...	...	...	...	...
B725	N02200	<i>149</i>	<i>149</i>	<i>148</i>	<i>146</i>	<i>144</i>	<i>141</i>	...	...	...	...	...	...	...	...	...
B464	N08020	161	161	161	161	161	161	161	161	160	157	156	...	...	...	...
B729	N08020	161	161	161	161	161	161	161	161	160	157	156	...	...	...	...



**Table A-1M Basic Allowable Stresses in Tension for Metals (Metric)<sup>1</sup> (Cont'd)**  
 Numbers in Parentheses Refer to Notes for Appendix A Tables; Specifications Are ASTM Unless Otherwise Indicated

Basic Allowable Stress, S, MPa (1), at Metal Temperature, °C														UNS No. or Type/ Grade	Spec. No.
575	600	625	650	675	700	725	750	775	800	825	850	875	900		
15.6	12.9	10.0	8.27	...	...	...	...	...	...	...	...	...	...	N02201	B161
15.6	12.9	10.0	8.27	...	...	...	...	...	...	...	...	...	...	N02201	B725
...	...	...	...	...	...	...	...	...	...	...	...	...	...	N02200	B161
...	...	...	...	...	...	...	...	...	...	...	...	...	...	N02200	B725
15.6	12.9	10.0	8.27	...	...	...	...	...	...	...	...	...	...	N02201	B161
15.6	12.9	10.0	8.27	...	...	...	...	...	...	...	...	...	...	N02201	B725
...	...	...	...	...	...	...	...	...	...	...	...	...	...	N02200	B161
...	...	...	...	...	...	...	...	...	...	...	...	...	...	N02200	B725
...	...	...	...	...	...	...	...	...	...	...	...	...	...	N04400	B165
...	...	...	...	...	...	...	...	...	...	...	...	...	...	N04400	B725
107	83.8	63.9	44.7	29.8	15.5	11.7	8.68	7.20	6.25	5.11	...	...	...	N08800	B407
27.0	19.2	15.0	13.8	...	...	...	...	...	...	...	...	...	...	N06600	B167
91.8	75.8	62.1	50.6	41.2	33.6	27.7	22.5	18.3	14.9	12.1	9.80	8.04	6.76	N08810	B407
91.8	75.8	62.1	50.6	41.2	33.6	27.7	22.5	18.3	14.9	12.1	9.80	8.04	6.76	N08810	B514
92.5	84.5	69.5	56.7	46.8	38.5	31.5	25.5	20.7	17.0	13.9	11.2	9.33	7.58	N08811	B407
...	...	...	...	...	...	...	...	...	...	...	...	...	...	N04400	B165
...	...	...	...	...	...	...	...	...	...	...	...	...	...	N04400	B725
...	...	...	...	...	...	...	...	...	...	...	...	...	...	N08320	B619
...	...	...	...	...	...	...	...	...	...	...	...	...	...	N08320	B622
...	...	...	...	...	...	...	...	...	...	...	...	...	...	N02201	B161
...	...	...	...	...	...	...	...	...	...	...	...	...	...	N02201	B725
107	83.8	63.9	44.7	29.8	15.5	11.7	8.68	7.20	6.25	5.11	...	...	...	N08800	B514
27.0	19.2	15.0	13.8	...	...	...	...	...	...	...	...	...	...	N06600	B167
27.0	19.2	15.0	13.8	...	...	...	...	...	...	...	...	...	...	N06600	B167
107	83.8	63.9	44.7	29.8	15.5	11.7	8.68	7.20	6.25	5.11	...	...	...	N08800	B407
...	...	...	...	...	...	...	...	...	...	...	...	...	...	N02200	B161
...	...	...	...	...	...	...	...	...	...	...	...	...	...	N02200	B725
...	...	...	...	...	...	...	...	...	...	...	...	...	...	N08020	B464
...	...	...	...	...	...	...	...	...	...	...	...	...	...	N08020	B729

(12)

**Table A-1M Basic Allowable Stresses in Tension for Metals (Metric)<sup>1</sup> (Cont'd)**  
 Numbers in Parentheses Refer to Notes for Appendix A Tables; Specifications Are ASTM Unless Otherwise Indicated

Nominal Composition	Product Form	Spec. No.	Type/ Grade	UNS No.	Class/Condition/Temper	Size, mm
Ni-Cr-Fe-Mo-Cu	Pipes & tubes	B423	...	N08825	C.D. ann.	...
Ni-Cr-Fe-Mo-Cu	Pipes & tubes	B705	...	N08825	Annealed	...
Ni-Cr-Fe-Mo-Cu	Pipes & tubes	B619	...	N06007	Sol. ann.	...
Ni-Cr-Fe-Mo-Cu	Pipes & tubes	B622	...	N06007	Sol. ann.	...
Ni-Cr-Fe-Mo-W	Pipes & tubes	B619	...	N06030	Sol. ann.	...
Ni-Cr-Fe-Mo-W	Pipes & tubes	B622	...	N06030	Sol. ann.	...
Ni-Cr-Fe-Mo-W	Pipes & tubes	B626	...	N06030	Sol. ann.	...
Ni-Cr-Fe	Pipes & tubes	B167	...	N06600	C.D. ann.	≤ 125
Ni-Cr-Fe	Pipes & tubes	B517	...	N06600	C.D. ann.	...
Ni-Mo-Cr	Pipes & tubes	B619	...	N06455	Sol. ann.	...
Ni-Cr-Mo-Fe	Pipes & tubes	B619	...	N06002	Sol. ann.	...
Ni-Cr-Mo-Fe	Pipes & tubes	B622	...	N06002	Sol. ann.	...
Low C-Ni-Fe-Cr-Mo-Cu	Pipes & tubes	B619	...	N08031	Annealed	...
Low C-Ni-Fe-Cr-Mo-Cu	Pipes & tubes	B622	...	N08031	Annealed	...
Ni-Mo-Cr	Pipes & tubes	B622	...	N06455	Sol. ann.	...
Ni-Mo-Cr	Pipes & tubes	B619	...	N10276	Sol. ann.	...
Ni-Mo-Cr	Pipes & tubes	B622	...	N10276	Sol. ann.	...
Ni-Mo-Cr	Pipes & tubes	B626	...	N10276	Sol. ann.	...

**Table A-1M Basic Allowable Stresses in Tension for Metals (Metric)<sup>1</sup> (Cont'd)**  
 Numbers in Parentheses Refer to Notes for Appendix A Tables; Specifications Are ASTM Unless Otherwise Indicated

P-No. (5)	Notes	Min. Temp., °C (6)	Min. Tensile Strength, MPa	Min. Yield Strength, MPa	Max. Use Temp., °C	Basic Allowable Stress, S, MPa (1), at Metal Temperature, °C						UNS No. or Type/ Grade	Spec. No.
						40	65	100	125	150	175		
45	(2)(4b)(9)	-200	585	240	538	161	161	161	161	161	161	N08825	B423
45	(2)(4b)(9)	-200	585	240	538	137	137	137	137	137	137	N08825	B705
45	(2)(4b)	-200	621	241	538	161	161	161	161	161	161	N06007	B619
45	(2)(4b)	-200	621	241	427	161	161	161	161	161	161	N06007	B622
45	(2)(4b)	-200	586	241	427	161	161	161	161	161	161	N06030	B619
45	(2)(4b)	-200	586	241	427	161	161	161	161	161	161	N06030	B622
45	(2)(4b)	-200	586	241	427	161	161	161	161	161	161	N06030	B626
43	(2)(4b)	-200	552	241	649	161	161	161	161	161	161	N06600	B167
43	(2)(4b)	-200	552	241	649	161	161	161	161	161	161	N06600	B517
43	(2)(4b)	-200	689	276	427	184	184	184	184	184	184	N06455	B619
43	(2)(4b)	-200	689	276	816	184	184	184	184	184	184	N06002	B619
43	(2)(4b)	-200	689	276	816	184	184	184	184	184	184	N06002	B622
45	(2)(4b)	-200	648	276	427	184	184	184	184	184	177	N08031	B619
45	(2)(4b)	-200	648	276	427	184	184	184	184	184	177	N08031	B622
43	(2)(4b)	-200	689	276	427	184	184	184	184	184	184	N06455	B622
43	(2)(4b)	-200	689	283	677	188	188	188	188	188	188	N10276	B619
43	(2)(4b)	-200	689	283	677	188	188	188	188	188	188	N10276	B622
43	(2)(4b)	-200	689	283	677	188	188	188	188	188	188	N10276	B626

(12)

**Table A-1M Basic Allowable Stresses in Tension for Metals (Metric)<sup>1</sup> (Cont'd)**  
 Numbers in Parentheses Refer to Notes for Appendix A Tables; Specifications Are ASTM Unless Otherwise Indicated

Spec. No.	UNS No. or Type/Grade	Basic Allowable Stress, S, MPa (1), at Metal Temperature, °C														
		200	225	250	275	300	325	350	375	400	425	450	475	500	525	550
B423	N08825	161	161	161	161	161	161	161	161	160	159	158	157	156	155	153
B705	N08825	137	137	137	137	137	137	137	136	136	135	135	134	133	131	129
B619	N06007	161	161	161	160	158	156	154	153	152	151	150	149	<b>136</b>	<b>132</b>	<b>130</b>
B622	N06007	161	161	161	160	158	156	154	153	152	151	150	...	...	...	...
B619	N06030	161	157	154	151	148	146	143	141	138	136	136	...	...	...	...
B622	N06030	161	157	154	151	148	146	143	141	138	136	136	...	...	...	...
B626	N06030	161	157	154	151	148	146	143	141	138	136	136	...	...	...	...
B167	N06600	161	161	161	161	161	161	161	161	161	161	161	161	<b>84.8</b>	<b>58.4</b>	<b>39.7</b>
B517	N06600	161	161	161	161	161	161	161	161	161	161	161	161	<b>84.8</b>	<b>58.4</b>	<b>39.7</b>
B619	N06455	184	184	184	184	184	184	184	183	180	178	178	...	...	...	...
B619	N06002	184	184	178	173	169	165	162	160	158	157	155	154	<b>135</b>	<b>134</b>	<b>133</b>
B622	N06002	184	184	178	173	169	165	162	160	158	157	155	154	<b>135</b>	<b>134</b>	<b>133</b>
B619	N08031	171	166	162	158	155	152	149	<b>74.2</b>	<b>61.1</b>	<b>50.3</b>	<b>49.6</b>	...	...	...	...
B622	N08031	171	166	162	158	155	152	149	<b>74.2</b>	<b>61.1</b>	<b>50.3</b>	<b>49.6</b>	...	...	...	...
B622	N06455	184	184	184	184	184	184	184	182	180	178	178	...	...	...	...
B619	N10276	188	188	187	182	177	172	168	165	162	159	157	156	155	154	<b>143</b>
B622	N10276	188	188	187	182	177	172	168	165	162	159	157	156	155	154	<b>143</b>
B626	N10276	188	188	187	182	177	172	168	165	162	159	157	156	155	154	<b>143</b>

**Table A-1M Basic Allowable Stresses in Tension for Metals (Metric)<sup>1</sup> (Cont'd)**  
 Numbers in Parentheses Refer to Notes for Appendix A Tables; Specifications Are ASTM Unless Otherwise Indicated

Basic Allowable Stress, S, MPa (1), at Metal Temperature, °C														UNS No. or Type/ Grade	Spec. No.
575	600	625	650	675	700	725	750	775	800	825	850	875	900		
...	...	...	...	...	...	...	...	...	...	...	...	...	...	N08825	B423
...	...	...	...	...	...	...	...	...	...	...	...	...	...	N08825	B705
...	...	...	...	...	...	...	...	...	...	...	...	...	...	N06007	B619
...	...	...	...	...	...	...	...	...	...	...	...	...	...	N06007	B622
...	...	...	...	...	...	...	...	...	...	...	...	...	...	N06030	B619
...	...	...	...	...	...	...	...	...	...	...	...	...	...	N06030	B622
...	...	...	...	...	...	...	...	...	...	...	...	...	...	N06030	B626
<b>27.0</b>	<b>19.2</b>	<b>15.0</b>	<b>13.8</b>	...	...	...	...	...	...	...	...	...	...	N06600	B167
<b>27.0</b>	<b>19.2</b>	<b>15.0</b>	<b>13.8</b>	...	...	...	...	...	...	...	...	...	...	N06600	B517
...	...	...	...	...	...	...	...	...	...	...	...	...	...	N06455	B619
<b>129</b>	<b>115</b>	<b>94.2</b>	<b>77.3</b>	<b>64.9</b>	<b>54.7</b>	<b>44.7</b>	<b>36.1</b>	<b>29.2</b>	<b>23.6</b>	<b>20.7</b>	...	...	...	N06002	B619
<b>129</b>	<b>115</b>	<b>94.2</b>	<b>77.3</b>	<b>64.9</b>	<b>54.7</b>	<b>44.7</b>	<b>36.1</b>	<b>29.2</b>	<b>23.6</b>	<b>20.7</b>	...	...	...	N06002	B622
...	...	...	...	...	...	...	...	...	...	...	...	...	...	N08031	B619
...	...	...	...	...	...	...	...	...	...	...	...	...	...	N08031	B622
...	...	...	...	...	...	...	...	...	...	...	...	...	...	N06455	B622
<b>119</b>	<b>98.4</b>	<b>81.6</b>	<b>67.0</b>	<b>54.5</b>	<b>53.8</b>	...	...	...	...	...	...	...	...	N10276	B619
<b>119</b>	<b>98.4</b>	<b>81.6</b>	<b>67.0</b>	<b>54.5</b>	<b>53.8</b>	...	...	...	...	...	...	...	...	N10276	B622
<b>119</b>	<b>98.4</b>	<b>81.6</b>	<b>67.0</b>	<b>54.5</b>	<b>53.8</b>	...	...	...	...	...	...	...	...	N10276	B626

(12)

**Table A-1M Basic Allowable Stresses in Tension for Metals (Metric)<sup>1</sup> (Cont'd)**  
 Numbers in Parentheses Refer to Notes for Appendix A Tables; Specifications Are ASTM Unless Otherwise Indicated

Nominal Composition	Product Form	Spec. No.	Type/Grade	UNS No.	Class/Condition/Temper	Size, mm
Ni-Cu	Pipes & tubes	B165	...	N04400	Str. rel.	...
Ni-Cu	Pipes & tubes	B725	...	N04400	Str. rel.	...
Fe-Ni-Cr-Mo-Cu-N	Pipes & tubes	B675	...	N08367	Annealed	> 5
Fe-Ni-Cr-Mo-Cu-N	Pipes & tubes	B690	...	N08367	Annealed	> 5
Fe-Ni-Cr-Mo-Cu-N	Pipes & tubes	B804	...	N08367	Annealed	> 5
Fe-Ni-Cr-Mo-Cu-N	Pipes & tubes	B675	...	N08367	Annealed	≤ 5
Fe-Ni-Cr-Mo-Cu-N	Pipes & tubes	B690	...	N08367	Annealed	≤ 5
Fe-Ni-Cr-Mo-Cu-N	Pipes & tubes	B804	...	N08367	Annealed	≤ 5
Ni-Cr-Mo	Pipes & tubes	B619	...	N06022	Sol. ann.	...
Ni-Cr-Mo	Pipes & tubes	B622	...	N06022	Sol. ann.	...
Ni-Cr-Mo	Pipes & tubes	B619	...	N06035	Sol. ann.	...
Ni-Cr-Mo	Pipes & tubes	B622	...	N06035	Sol. ann.	...
Ni-Cr-Mo	Pipes & tubes	B626	...	N06035	Sol. ann.	...
Low C-Ni-Cr-Mo	Pipes & tubes	B619	...	N06059	Sol. ann.	...
Low C-Ni-Cr-Mo	Pipes & tubes	B622	...	N06059	Sol. ann.	...
Low C-Ni-Cr-Mo	Pipes & tubes	B619	...	N06200	Sol. ann.	All
Low C-Ni-Cr-Mo	Pipes & tubes	B622	...	N06200	Sol. ann.	All
Low C-Ni-Cr-Mo	Pipes & tubes	B626	...	N06200	Sol. ann.	All
Ni-Mo	Pipes & tubes	B619	...	N10001	Sol. ann.	...
Ni-Mo	Pipes & tubes	B622	...	N10001	Sol. ann.	...
Ni-Mo	Pipes & tubes	B619	...	N10665	Sol. ann.	...
Ni-Mo	Pipes & tubes	B622	...	N10665	Sol. ann.	...
Ni-Mo	Pipes & tubes	B619	...	N10675	Sol. ann.	...
Ni-Mo	Pipes & tubes	B622	...	N10675	Sol. ann.	...
Ni-Mo	Pipes & tubes	B626	...	N10675	Sol. ann.	...
Ni-Cr-Mo-Cb	Pipes & tubes	B444	...	N06625	Annealed	...
Ni-Cr-W-Mo	Pipes & tubes	B619	...	N06230	Sol. ann.	...
Ni-Cr-W-Mo	Pipes & tubes	B622	...	N06230	Sol. ann.	...
Ni-Cr-W-Mo	Pipes & tubes	B626	...	N06230	Sol. ann.	...
Low C-Ni	Plate	B162	...	N02201	H.R. ann.	...
Low C-Ni	Plate	B162	...	N02201	H.R. as R.	...
Ni	Plate	B162	...	N02200	H.R. ann.	...
Ni	Plate	B162	...	N02200	H.R. as R.	...
Ni-Fe-Cr	Plates & sheets	B409	...	N08810	Annealed	All
Ni-Fe-Cr	Plates & sheets	B409	...	N08811	Annealed	All

**Table A-1M Basic Allowable Stresses in Tension for Metals (Metric)<sup>1</sup> (Cont'd)**  
 Numbers in Parentheses Refer to Notes for Appendix A Tables; Specifications Are ASTM Unless Otherwise Indicated

P-No. (5)	Notes	Min. Temp., °C (6)	Min. Tensile Strength, MPa	Min. Yield Strength, MPa	Max. Use Temp., °C	Basic Allowable Stress, S, MPa (1), at Metal Temperature, °C						UNS No. or Type/ Grade	Spec. No.
						40	65	100	125	150	175		
42	(2)(4b)(54)	-200	586	379	260	195	195	195	195	195	195	N04400	B165
42	(2)(4b)(54)	-200	586	379	260	195	195	195	195	195	195	N04400	B725
45	(2)(4b)	-200	655	310	427	207	207	207	207	206	202	N08367	B675
45	(2)(4b)	-200	655	310	427	207	207	207	207	206	202	N08367	B690
45	(2)(4b)	-200	655	310	427	207	207	207	207	206	202	N08367	B804
45	(2)(4b)	-200	689	310	427	207	207	207	207	206	202	N08367	B675
45	(2)(4b)	-200	689	310	427	207	207	207	207	206	202	N08367	B690
45	(2)(4b)	-200	689	310	427	207	207	207	207	206	202	N08367	B804
43	(2)(4b)	-200	689	310	427	207	207	207	207	207	207	N06022	B619
43	(2)(4b)	-200	689	310	427	207	207	207	207	207	207	N06022	B622
43	(2)(4b)	-200	586	241	427	161	161	161	161	161	161	N06035	B619
43	(2)(4b)	-200	586	241	427	161	161	161	161	161	161	N06035	B622
43	(2)(4b)	-200	586	241	427	161	161	161	161	161	161	N06035	B626
43	(2)(4b)	-200	689	310	427	207	207	207	207	207	207	N06059	B619
43	(2)(4b)	-200	689	310	427	207	207	207	207	207	207	N06059	B622
43	(2)(4b)	-200	689	310	427	207	207	207	207	207	207	N06200	B619
43	(2)(4b)	-200	689	310	427	207	207	207	207	207	207	N06200	B622
43	(2)(4b)	-200	689	310	427	207	207	207	207	207	207	N06200	B626
44	(2)(4b)	-200	689	310	427	207	207	207	207	207	207	N10001	B619
44	(2)(4b)	-200	689	310	427	207	207	207	207	207	207	N10001	B622
44	(2)(4b)	-200	758	352	427	234	234	234	234	234	234	N10665	B619
44	(2)(4b)	-200	758	352	427	234	234	234	234	234	234	N10665	B622
44	(2)(4b)	-200	758	352	427	234	234	234	234	234	234	N10675	B619
44	(2)(4b)	-200	758	352	427	234	234	234	234	234	234	N10675	B622
44	(2)(4b)	-200	758	352	427	234	234	234	234	234	234	N10675	B626
43	(2)(4b)(64)(70)	-200	827	414	649	276	276	276	274	273	272	N06625	B444
43	(2)(4b)	-200	758	310	899	207	207	207	207	207	207	N06230	B619
43	(2)(4b)	-200	758	310	899	207	207	207	207	207	207	N06230	B622
43	(2)(4b)	-200	758	310	899	207	207	207	207	207	207	N06230	B626
41	(4b)	-200	345	83	649	55.2	53.8	52.8	52.3	51.9	51.7	N02201	B162
41	(4b)	-200	345	83	649	55.2	53.8	52.8	52.3	51.9	51.7	N02201	B162
41	(4b)	-200	379	103	316	68.9	68.9	68.9	68.9	68.9	68.9	N02200	B162
41	(4b)	-200	379	138	316	91.9	91.9	91.9	91.9	91.9	91.9	N02200	B162
45	(4b)	-200	448	172	899	115	115	115	115	115	115	N08810	B409
45	(4b)	-200	448	172	899	115	115	115	115	115	115	N08811	B409

(12)

**Table A-1M Basic Allowable Stresses in Tension for Metals (Metric)<sup>1</sup> (Cont'd)**  
 Numbers in Parentheses Refer to Notes for Appendix A Tables; Specifications Are ASTM Unless Otherwise Indicated

		Basic Allowable Stress, S, MPa (1), at Metal Temperature, °C														
Spec. No.	UNS No. or Type/Grade	200	225	250	275	300	325	350	375	400	425	450	475	500	525	550
B165	N04400	195	195	195	195	...	...	...	...	...	...	...	...	...	...	...
B725	N04400	195	195	195	195	...	...	...	...	...	...	...	...	...	...	...
B675	N08367	198	195	192	188	183	179	176	173	170	168	167	...	...	...	...
B690	N08367	198	195	192	188	183	179	176	173	170	168	167	...	...	...	...
B804	N08367	198	195	192	188	183	179	176	173	170	168	167	...	...	...	...
B675	N08367	198	195	192	188	183	179	176	173	170	168	167	...	...	...	...
B690	N08367	198	195	192	188	183	179	176	173	170	168	167	...	...	...	...
B804	N08367	198	195	192	188	183	179	176	173	170	168	167	...	...	...	...
B619	N06022	207	207	202	197	193	189	185	182	180	177	177	...	...	...	...
B622	N06022	207	207	202	197	193	189	185	182	180	177	177	...	...	...	...
B619	N06035	<b>154</b>	<b>149</b>	<b>144</b>	<b>140</b>	<b>137</b>	<b>135</b>	<b>133</b>	<b>132</b>	<b>131</b>	<b>129</b>	<b>128</b>	...	...	...	...
B622	N06035	<b>154</b>	<b>149</b>	<b>144</b>	<b>140</b>	<b>137</b>	<b>135</b>	<b>133</b>	<b>132</b>	<b>131</b>	<b>129</b>	<b>128</b>	...	...	...	...
B626	N06035	<b>154</b>	<b>149</b>	<b>144</b>	<b>140</b>	<b>137</b>	<b>135</b>	<b>133</b>	<b>132</b>	<b>131</b>	<b>129</b>	<b>128</b>	...	...	...	...
B619	N06059	207	207	206	202	197	192	188	184	180	176	176	...	...	...	...
B622	N06059	207	207	206	202	197	192	188	184	180	176	176	...	...	...	...
B619	N06200	207	<b>207</b>	<b>200</b>	<b>194</b>	<b>188</b>	<b>184</b>	<b>180</b>	<b>177</b>	<b>175</b>	<b>174</b>	<b>173</b>	...	...	...	...
B622	N06200	207	<b>207</b>	<b>200</b>	<b>194</b>	<b>188</b>	<b>184</b>	<b>180</b>	<b>177</b>	<b>175</b>	<b>174</b>	<b>173</b>	...	...	...	...
B626	N06200	207	<b>207</b>	<b>200</b>	<b>194</b>	<b>188</b>	<b>184</b>	<b>180</b>	<b>177</b>	<b>175</b>	<b>174</b>	<b>173</b>	...	...	...	...
B619	N10001	207	207	207	207	207	207	207	207	207	206	206	...	...	...	...
B622	N10001	207	207	207	207	207	207	207	207	207	206	206	...	...	...	...
B619	N10665	234	234	234	234	234	234	234	234	234	234	234	...	...	...	...
B622	N10665	234	234	234	234	234	234	234	234	234	234	234	...	...	...	...
B619	N10675	234	234	234	234	234	234	234	234	<b>233</b>	<b>231</b>	<b>230</b>	...	...	...	...
B622	N10675	234	234	234	234	234	234	234	234	<b>233</b>	<b>231</b>	<b>230</b>	...	...	...	...
B626	N10675	234	234	234	234	234	234	234	234	<b>233</b>	<b>231</b>	<b>230</b>	...	...	...	...
B444	N06625	270	269	267	265	262	260	257	255	252	251	249	247	245	242	<b>215</b>
B619	N06230	207	207	207	207	<b>207</b>	<b>203</b>	<b>199</b>	<b>197</b>	<b>196</b>	<b>195</b>	<b>195</b>	<b>195</b>	<b>195</b>	<b>195</b>	<b>195</b>
B622	N06230	207	207	207	207	<b>207</b>	<b>203</b>	<b>199</b>	<b>197</b>	<b>196</b>	<b>195</b>	<b>195</b>	<b>195</b>	<b>195</b>	<b>195</b>	<b>195</b>
B626	N06230	207	207	207	207	<b>207</b>	<b>203</b>	<b>199</b>	<b>197</b>	<b>196</b>	<b>195</b>	<b>195</b>	<b>195</b>	<b>195</b>	<b>195</b>	<b>195</b>
B162	N02201	51.6	51.6	51.6	51.6	51.6	51.6	51.5	51.2	50.7	49.9	<b>41.4</b>	<b>33.1</b>	<b>27.4</b>	<b>22.8</b>	<b>18.7</b>
B162	N02201	51.6	51.6	51.6	51.6	51.6	51.6	51.5	51.2	50.7	49.9	<b>41.4</b>	<b>33.1</b>	<b>27.4</b>	<b>22.8</b>	<b>18.7</b>
B162	N02200	68.9	68.9	68.9	68.9	68.9	68.9	...	...	...	...	...	...	...	...	...
B162	N02200	91.9	91.9	91.9	91.9	91.9	91.9	...	...	...	...	...	...	...	...	...
B409	N08810	115	115	115	115	115	113	111	109	107	105	103	101	99.3	97.7	96.0
B409	N08811	115	115	115	115	115	113	110	108	106	104	102	100	98.6	97.1	95.7



**Table A-1M Basic Allowable Stresses in Tension for Metals (Metric)<sup>1</sup> (Cont'd)**  
 Numbers in Parentheses Refer to Notes for Appendix A Tables; Specifications Are ASTM Unless Otherwise Indicated

Basic Allowable Stress, S, MPa (1), at Metal Temperature, °C														UNS No. or Type/ Grade	Spec. No.
575	600	625	650	675	700	725	750	775	800	825	850	875	900		
...	...	...	...	...	...	...	...	...	...	...	...	...	...	N04400	B165
...	...	...	...	...	...	...	...	...	...	...	...	...	...	N04400	B725
...	...	...	...	...	...	...	...	...	...	...	...	...	...	N08367	B675
...	...	...	...	...	...	...	...	...	...	...	...	...	...	N08367	B690
...	...	...	...	...	...	...	...	...	...	...	...	...	...	N08367	B804
...	...	...	...	...	...	...	...	...	...	...	...	...	...	N08367	B675
...	...	...	...	...	...	...	...	...	...	...	...	...	...	N08367	B690
...	...	...	...	...	...	...	...	...	...	...	...	...	...	N08367	B804
...	...	...	...	...	...	...	...	...	...	...	...	...	...	N06022	B619
...	...	...	...	...	...	...	...	...	...	...	...	...	...	N06022	B622
...	...	...	...	...	...	...	...	...	...	...	...	...	...	N06035	B619
...	...	...	...	...	...	...	...	...	...	...	...	...	...	N06035	B622
...	...	...	...	...	...	...	...	...	...	...	...	...	...	N06035	B626
...	...	...	...	...	...	...	...	...	...	...	...	...	...	N06059	B619
...	...	...	...	...	...	...	...	...	...	...	...	...	...	N06059	B622
...	...	...	...	...	...	...	...	...	...	...	...	...	...	N06200	B619
...	...	...	...	...	...	...	...	...	...	...	...	...	...	N06200	B622
...	...	...	...	...	...	...	...	...	...	...	...	...	...	N06200	B626
...	...	...	...	...	...	...	...	...	...	...	...	...	...	N10001	B619
...	...	...	...	...	...	...	...	...	...	...	...	...	...	N10001	B622
...	...	...	...	...	...	...	...	...	...	...	...	...	...	N10665	B619
...	...	...	...	...	...	...	...	...	...	...	...	...	...	N10665	B622
...	...	...	...	...	...	...	...	...	...	...	...	...	...	N10675	B619
...	...	...	...	...	...	...	...	...	...	...	...	...	...	N10675	B622
...	...	...	...	...	...	...	...	...	...	...	...	...	...	N10675	B626
<b>194</b>	<b>156</b>	<b>136</b>	<b>91.0</b>	...	...	...	...	...	...	...	...	...	...	N06625	B444
183	153	128	107	89.7	74.7	61.9	50.8	41.1	32.6	25.2	18.9	13.8	10.2	N06230	B619
183	153	128	107	89.7	74.7	61.9	50.8	41.1	32.6	25.2	18.9	13.8	10.2	N06230	B622
183	153	128	107	89.7	74.7	61.9	50.8	41.1	32.6	25.2	18.9	13.8	10.2	N06230	B626
<b>15.6</b>	<b>12.9</b>	<b>10.0</b>	<b>8.27</b>	...	...	...	...	...	...	...	...	...	...	N02201	B162
<b>15.6</b>	<b>12.9</b>	<b>10.0</b>	<b>8.27</b>	...	...	...	...	...	...	...	...	...	...	N02201	B162
...	...	...	...	...	...	...	...	...	...	...	...	...	...	N02200	B162
...	...	...	...	...	...	...	...	...	...	...	...	...	...	N02200	B162
<b>91.8</b>	<b>75.8</b>	<b>62.1</b>	<b>50.6</b>	<b>41.2</b>	<b>33.6</b>	<b>27.7</b>	<b>22.5</b>	<b>18.3</b>	<b>14.9</b>	<b>12.1</b>	<b>9.80</b>	<b>8.04</b>	<b>6.76</b>	N08810	B409
<b>92.5</b>	<b>84.5</b>	<b>69.5</b>	<b>56.7</b>	<b>46.8</b>	<b>38.5</b>	<b>31.5</b>	<b>25.5</b>	<b>20.7</b>	<b>17.0</b>	<b>13.9</b>	<b>11.2</b>	<b>9.33</b>	<b>7.58</b>	N08811	B409

(12)

**Table A-1M Basic Allowable Stresses in Tension for Metals (Metric)<sup>1</sup> (Cont'd)**  
 Numbers in Parentheses Refer to Notes for Appendix A Tables; Specifications Are ASTM Unless Otherwise Indicated

Nominal Composition	Product Form	Spec. No.	Type/Grade	UNS No.	Class/Condition/Temper	Size, mm
Ni-Fe-Cr-Mo	Plates & sheets	B620	...	N08320	Sol. ann.	All
Ni-Cu	Plate	B127	...	N04400	H.R. ann.	...
Ni-Cr-Fe-Mo-Cu	Plates & sheets	B582	...	N06007	Sol. ann.	> 19
Ni-Fe-Cr	Plates & sheets	B409	...	N08800	Annealed	All
Ni-Cr-Fe-Mo-Cu	Plate	B424	...	N08825	Annealed	...
Cr-Ni-Fe-Mo-Cu-Cb	Plates & sheets	B463	...	N08020	Annealed	All
Ni-Cr-Fe-Mo-W	Plates & sheets	B582	...	N06030	Sol. ann.	All
Ni-Cr-Fe-Mo-Cu	Plates & sheets	B582	...	N06007	Sol. ann.	≤ 19
Ni-Cr-Fe-Mo	Plates & sheets	B435	...	N06002	H.R sol. ann.	All
Ni-Cr-Fe	Plate	B168	...	N06600	H.R. ann.	...
Ni-Cr-Fe	Plate	B168	...	N06600	H.R. as R.	...
Ni-Cu	Plate	B127	...	N04400	H.R. as R.	...
Low C-Ni-Fe-Cr-Mo-Cu	Plates & sheets	B625	...	N08031	Annealed	All
Low C-Ni-Mo-Cr	Plates & sheets	B575	...	N06455	Sol. ann.	All
Low C-Ni-Mo-Cr	Plates & sheets	B575	...	N10276	Sol. ann.	All
Ni-Cr-Mo-Cb	Plate	B443	...	N06625	Annealed	All
Ni-Cr-W-Mo	Plates & sheets	B435	...	N06230	Sol. ann.	All
Ni-Cr-Mo-Cb	Sheet	B575	...	N06022	Sol. ann.	< 5
Ni-Cr-Mo	Plates & sheets	B575	...	N06035	Sol. ann.	All
Fe-Ni-Cr-Mo-Cu-N	Plates & sheets	B688	...	N08367	Annealed	> 5
Fe-Ni-Cr-Mo-Cu-N	Plates & sheets	B688	...	N08367	Annealed	≤ 5
Low C-Ni-Cr-Mo	Plates & sheets	B575	...	N06059	Sol. ann.	All
Low C-Ni-Cr-Mo	Plates & sheets	B575	...	N06200	Sol. ann.	All
Ni-Mo	Plate	B333	...	N10001	Sol. ann.	≥ 5, ≤ 64
Ni-Mo	Sheet	B333	...	N10001	Sol. ann.	≤ 5
Ni-Mo	Plates & sheets	B333	...	N10665	Sol. ann.	All
Ni-Mo	Plates & sheets	B333	...	N10675	Sol. ann.	All
Low C-Ni	Forgings & fittings	B160	...	N02201	Annealed	All
Low C-Ni	Forgings & fittings	B366	...	N02201	...	...
Ni	Forgings & fittings	B366	...	N02200	...	...
Ni	Forgings & fittings	B564	...	N02200	...	...

**Table A-1M Basic Allowable Stresses in Tension for Metals (Metric)<sup>1</sup> (Cont'd)**  
 Numbers in Parentheses Refer to Notes for Appendix A Tables; Specifications Are ASTM Unless Otherwise Indicated

P-No. (5)	Notes	Min. Temp., °C (6)	Min. Tensile Strength, MPa	Min. Yield Strength, MPa	Max. Use Temp., °C	Basic Allowable Stress, S, MPa (1), at Metal Temperature, °C						UNS No. or Type/ Grade	Spec. No.
						40	65	100	125	150	175		
						45	(4b)	-200	517	193	427		
42	(4b)	-200	483	193	482	129	119	112	108	105	103	N04400	B127
45	(4b)	-200	586	207	538	138	138	138	138	138	138	N06007	B582
45	(4b)	-200	517	207	816	138	138	138	138	138	138	N08800	B409
45	(4b)(9)	-200	585	240	538	161	161	161	161	161	161	N08825	B424
45	(4b)	-200	552	241	427	161	161	161	161	161	161	N08020	B463
45	(4b)	-200	586	241	427	161	161	161	161	161	161	N06030	B582
45	(4b)	-200	621	241	538	161	161	161	161	161	161	N06007	B582
43	(4b)	-200	655	241	427	161	161	161	161	161	161	N06002	B435
43	(4b)	-200	552	241	649	161	161	161	161	161	161	N06600	B168
43	(4b)	-200	586	241	649	161	161	161	161	161	161	N06600	B168
42	(4b)	-200	517	276	482	172	172	172	171	170	168	N04400	B127
45	(4b)	-200	648	276	427	184	184	184	184	184	177	N08031	B625
43	(4b)	-200	689	276	427	184	184	184	184	184	184	N06455	B575
43	(4b)	-200	689	283	677	188	188	188	188	188	188	N10276	B575
43	(4b)(64)(70)	-200	758	379	649	253	253	253	251	250	249	N06625	B443
43	(4b)	-200	758	310	899	207	207	207	207	207	207	N06230	B435
43	(4b)	-200	689	310	427	207	207	207	207	207	207	N06022	B575
43	(4b)	-200	586	241	427	161	161	161	161	161	161	N06035	B575
45	(4b)	-200	655	310	427	207	207	207	207	206	202	N08367	B688
45	(4b)	-200	689	310	427	207	207	207	207	207	207	N08367	B688
43	(4b)	-200	689	310	427	207	207	207	207	207	207	N06059	B575
43	(4b)	-200	689	310	427	207	207	207	207	207	207	N06200	B575
44	(4b)	-200	689	310	427	207	207	207	207	207	207	N10001	B333
44	(4b)	-200	793	345	427	230	230	230	230	230	230	N10001	B333
44	(4b)	-200	758	352	427	234	234	234	234	234	234	N10665	B333
44	(4b)	-200	758	352	427	234	234	234	234	234	234	N10675	B333
41	(2)(4b)(9)(9a)	-200	345	69	649	46.0	44.7	43.9	43.6	43.3	43.2	N02201	B160
41	(2)(4b)(32)(74)	-200	345	69	649	46.0	44.7	43.9	43.6	43.3	43.2	N02201	B366
41	(2)(4b)(32)(74)	-200	379	83	260	55.2	55.2	55.2	55.2	55.2	55.2	N02200	B366
41	(2)(4b)(32)(74)	-200	379	83	260	55.2	55.2	55.2	55.2	55.2	55.2	N02200	B564

(12)

**Table A-1M Basic Allowable Stresses in Tension for Metals (Metric)<sup>1</sup> (Cont'd)**  
 Numbers in Parentheses Refer to Notes for Appendix A Tables; Specifications Are ASTM Unless Otherwise Indicated

		Basic Allowable Stress, S, MPa (1), at Metal Temperature, °C														
Spec. No.	UNS No. or Type/Grade	200	225	250	275	300	325	350	375	400	425	450	475	500	525	550
B620	N08320	129	129	129	129	129	127	125	122	121	119	119	...	...	...	...
B127	N04400	102	101	101	101	101	101	101	100	99.6	98.6	<b>79.7</b>	<b>59.9</b>	<b>55.2</b>	...	...
B582	N06007	138	138	138	138	135	134	132	131	130	129	128	128	127	127	126
B409	N08800	138	138	138	138	138	138	138	138	138	138	138	138	138	138	136
B424	N08825	161	161	161	161	161	161	161	161	160	159	158	157	156	155	153
B463	N08020	161	161	161	161	161	161	161	161	160	157	156	...	...	...	...
B582	N06030	<i>161</i>	<b>157</b>	<b>154</b>	<b>151</b>	<b>148</b>	<b>146</b>	<b>143</b>	<b>141</b>	<b>138</b>	<b>136</b>	<b>136</b>	...	...	...	...
B582	N06007	161	161	161	160	158	156	154	153	152	151	150	149	<b>136</b>	<b>132</b>	<b>130</b>
B435	N06002	161	161	156	152	148	145	142	140	138	137	137	...	...	...	...
B168	N06600	161	161	161	161	161	161	161	161	161	161	161	161	<b>84.8</b>	<b>58.4</b>	<b>39.7</b>
B168	N06600	161	161	161	161	161	161	161	161	161	161	161	161	<b>84.8</b>	<b>58.4</b>	<b>39.7</b>
B127	N04400	165	164	162	161	160	159	158	156	<b>136</b>	<b>102</b>	<b>63.8</b>	<b>33.5</b>	<b>27.6</b>	...	...
B625	N08031	171	166	162	158	155	152	149	146	144	141	140	...	...	...	...
B575	N06455	184	184	184	184	184	184	184	182	180	178	176	...	...	...	...
B575	N10276	188	188	187	182	177	172	168	165	162	159	157	156	155	154	<b>143</b>
B443	N06625	<i>248</i>	<i>247</i>	<i>245</i>	<i>243</i>	<i>241</i>	<i>238</i>	<i>236</i>	<i>233</i>	<i>231</i>	<i>230</i>	<i>228</i>	<i>227</i>	<i>225</i>	<i>222</i>	<b>215</b>
B435	N06230	<i>207</i>	<i>207</i>	<i>207</i>	<i>207</i>	<b>207</b>	<b>203</b>	<b>199</b>	<b>197</b>	<b>196</b>	<b>195</b>	<b>195</b>	<b>195</b>	<b>195</b>	<b>195</b>	<b>195</b>
B575	N06022	207	207	202	197	193	189	185	182	180	177	177	...	...	...	...
B575	N06035	<b>154</b>	<b>149</b>	<b>144</b>	<b>140</b>	<b>137</b>	<b>135</b>	<b>133</b>	<b>132</b>	<b>131</b>	<b>129</b>	<b>128</b>	...	...	...	...
B688	N08367	<i>198</i>	<i>195</i>	<i>192</i>	188	183	179	176	173	170	168	167	...	...	...	...
B688	N08367	206	199	193	188	183	179	176	173	170	168	167	...	...	...	...
B575	N06059	207	207	206	202	197	192	188	184	180	176	176	...	...	...	...
B575	N06200	207	<b>207</b>	<b>200</b>	<b>194</b>	<b>188</b>	<b>184</b>	<b>180</b>	<b>177</b>	<b>175</b>	<b>174</b>	<b>173</b>	...	...	...	...
B333	N10001	207	207	207	207	207	207	207	207	207	206	206	...	...	...	...
B333	N10001	230	230	230	230	230	230	230	230	230	229	229	...	...	...	...
B333	N10665	234	234	234	234	234	234	234	234	234	234	234	...	...	...	...
B333	N10675	<i>234</i>	<i>234</i>	<i>234</i>	<i>234</i>	<i>234</i>	<i>234</i>	<i>234</i>	<i>234</i>	<b>233</b>	<b>231</b>	<b>230</b>	...	...	...	...
B160	N02201	43.2	43.2	43.2	43.2	43.2	43.1	42.9	42.6	42.1	41.5	40.7	<b>33.1</b>	<b>27.4</b>	<b>22.8</b>	<b>18.7</b>
B366	N02201	43.2	43.2	43.2	43.2	43.2	43.1	42.9	42.6	42.1	41.5	40.7	<b>33.1</b>	<b>27.4</b>	<b>22.8</b>	<b>18.7</b>
B366	N02200	55.2	55.2	55.2	55.2	...	...	...	...	...	...	...	...	...	...	...
B564	N02200	55.2	55.2	55.2	55.2	...	...	...	...	...	...	...	...	...	...	...

**Table A-1M Basic Allowable Stresses in Tension for Metals (Metric)<sup>1</sup> (Cont'd)**  
 Numbers in Parentheses Refer to Notes for Appendix A Tables; Specifications Are ASTM Unless Otherwise Indicated

Basic Allowable Stress, S, MPa (1), at Metal Temperature, °C														UNS No. or Type/ Grade	Spec. No.
575	600	625	650	675	700	725	750	775	800	825	850	875	900		
...	...	...	...	...	...	...	...	...	...	...	...	...	...	N08320	B620
...	...	...	...	...	...	...	...	...	...	...	...	...	...	N04400	B127
...	...	...	...	...	...	...	...	...	...	...	...	...	...	N06007	B582
<b>107</b>	<b>83.8</b>	<b>63.9</b>	<b>44.7</b>	<b>29.8</b>	<b>15.5</b>	<b>11.7</b>	<b>8.68</b>	<b>7.20</b>	<b>6.25</b>	<b>5.11</b>	...	...	...	N08800	B409
...	...	...	...	...	...	...	...	...	...	...	...	...	...	N08825	B424
...	...	...	...	...	...	...	...	...	...	...	...	...	...	N08020	B463
...	...	...	...	...	...	...	...	...	...	...	...	...	...	N06030	B582
...	...	...	...	...	...	...	...	...	...	...	...	...	...	N06007	B582
...	...	...	...	...	...	...	...	...	...	...	...	...	...	N06002	B435
<b>27.0</b>	<b>19.2</b>	<b>15.0</b>	<b>13.8</b>	...	...	...	...	...	...	...	...	...	...	N06600	B168
<b>27.0</b>	<b>19.2</b>	<b>15.0</b>	<b>13.8</b>	...	...	...	...	...	...	...	...	...	...	N06600	B168
...	...	...	...	...	...	...	...	...	...	...	...	...	...	N04400	B127
...	...	...	...	...	...	...	...	...	...	...	...	...	...	N08031	B625
...	...	...	...	...	...	...	...	...	...	...	...	...	...	N06455	B575
<b>119</b>	<b>98.4</b>	<b>81.6</b>	<b>67.0</b>	<b>54.5</b>	<b>53.8</b>	...	...	...	...	...	...	...	...	N10276	B575
<b>194</b>	<b>156</b>	<b>136</b>	<b>91.0</b>	...	...	...	...	...	...	...	...	...	...	N06625	B443
183	153	128	107	89.7	74.7	61.9	50.8	41.1	32.6	25.2	18.9	13.8	10.2	N06230	B435
...	...	...	...	...	...	...	...	...	...	...	...	...	...	N06022	B575
...	...	...	...	...	...	...	...	...	...	...	...	...	...	N06035	B575
...	...	...	...	...	...	...	...	...	...	...	...	...	...	N08367	B688
...	...	...	...	...	...	...	...	...	...	...	...	...	...	N08367	B688
...	...	...	...	...	...	...	...	...	...	...	...	...	...	N06059	B575
...	...	...	...	...	...	...	...	...	...	...	...	...	...	N06200	B575
...	...	...	...	...	...	...	...	...	...	...	...	...	...	N10001	B333
...	...	...	...	...	...	...	...	...	...	...	...	...	...	N10001	B333
...	...	...	...	...	...	...	...	...	...	...	...	...	...	N10665	B333
...	...	...	...	...	...	...	...	...	...	...	...	...	...	N10675	B333
<b>15.6</b>	<b>12.9</b>	<b>10.0</b>	<b>8.27</b>	...	...	...	...	...	...	...	...	...	...	N02201	B160
<b>15.6</b>	<b>12.9</b>	<b>10.0</b>	<b>8.27</b>	...	...	...	...	...	...	...	...	...	...	N02201	B366
...	...	...	...	...	...	...	...	...	...	...	...	...	...	N02200	B366
...	...	...	...	...	...	...	...	...	...	...	...	...	...	N02200	B564

(12)

**Table A-1M Basic Allowable Stresses in Tension for Metals (Metric)<sup>1</sup> (Cont'd)**  
 Numbers in Parentheses Refer to Notes for Appendix A Tables; Specifications Are ASTM Unless Otherwise Indicated

Nominal Composition	Product Form	Spec. No.	Type/ Grade	UNS No.	Class/Condition/Temper	Size, mm
Ni	Forgings & fittings	B564	...	N02200	Annealed	All
Ni-Fe-Cr	Forgings & fittings	B564	...	N08810	Annealed	...
Ni-Fe-Cr	Forgings & fittings	B564	...	N08811	Annealed	...
Ni-Fe-Cr	Fittings	B366	...	N08810	Sol. trt. or ann.	...
Cr-Ni-Fe-Mo-Cu	Fittings	B366	...	N08811	Annealed	...
Ni-Cu	Forgings & fittings	B564	...	N04400	Annealed	...
Ni-Cu	Forgings & fittings	B366	...	N04400	...	...
Ni-Cr-Fe	Forgings & fittings	B366	...	N06600	...	...
Ni-Cr-Fe-Mo-W	Forgings & fittings	B366	...	N06030	Sol. ann.	All
Ni-Cr-Fe-Mo-W	Forgings & fittings	B462	...	N06030	Sol. ann.	All
Ni-Fe-Cr	Forgings & fittings	B366	...	N08800	Annealed	...
Ni-Fe-Cr	Forgings & fittings	B564	...	N08800	Annealed	...
Cr-Ni-Fe-Mo-Cu-Cb	Forgings & fittings	B366	...	N08020	Annealed	...
Cr-Ni-Fe-Mo-Cu-Cb	Forgings & fittings	B462	...	N08020	Annealed	...
Ni-Cr-Fe	Forgings & fittings	B564	...	N06600	Annealed	All
Cr-Ni-Fe-Mo-Cu	Fittings	B366	...	N08825	Annealed	...
Cr-Ni-Fe-Mo-Cu	Forgings	B564	...	N08825	Annealed	...
Ni-Cr-Mo-Fe	Forgings & fittings	B366	...	N06002	...	...
Low C-Ni-Fe-Cr-Mo-Cu	Forgings & fittings	B366	...	N08031	Annealed H.W.	All
Low C-Ni-Fe-Cr-Mo-Cu	Forgings & fittings	B564	...	N08031	Annealed H.W.	All
Ni-Mo-Cr	Forgings & fittings	B366	...	N10276	Sol. ann.	All
Ni-Mo-Cr	Forgings & fittings	B564	...	N10276	Sol. ann.	All
Ni-Mo	Forgings & fittings	B366	...	N10001	...	...

**Table A-1M Basic Allowable Stresses in Tension for Metals (Metric)<sup>1</sup> (Cont'd)**  
 Numbers in Parentheses Refer to Notes for Appendix A Tables; Specifications Are ASTM Unless Otherwise Indicated

P-No. (5)	Notes	Min. Temp., °C (6)	Min. Tensile Strength, MPa	Min. Yield Strength, MPa	Max. Use Temp., °C	Basic Allowable Stress, S, MPa (1), at Metal Temperature, °C						UNS No. or Type/ Grade	Spec. No.
						40	65	100	125	150	175		
41	(2)(4b)(9)	-200	379	103	316	68.9	68.9	68.9	68.9	68.9	68.9	N02200	B564
45	(2)(4b)(9)	-200	448	172	899	115	115	115	115	115	115	N08810	B564
45	(2)(4b)(9)	-200	448	172	899	115	115	115	115	115	115	N08811	B564
45	(2)(4b)(9)	-200	450	170	899	115	115	115	115	115	115	N08810	B366
45	(2)(4b)(9)	-200	450	170	899	115	115	115	115	115	115	N08811	B366
42	(2)(4b)(9)	-200	483	172	482	115	106	99.7	96.2	93.6	91.9	N04400	B564
42	(2)(4b)(32)(74)	-200	483	172	482	115	106	99.7	96.2	93.6	91.9	N04400	B366
43	(2)(4b)(32)(74)	-200	517	172	649	115	115	115	115	115	115	N06600	B366
45	(2)(4b)	-200	586	241	427	161	161	161	161	161	161	N06030	B366
45	(2)(4b)	-200	586	241	427	161	161	161	161	161	161	N06030	B462
45	(2)(4b)	-200	517	207	816	138	138	138	138	138	138	N08800	B366
45	(2)(4b)(9)	-200	517	207	816	138	138	138	138	138	138	N08800	B564
45	(2)(4b)	-200	552	241	427	161	161	161	161	161	161	N08020	B366
45	(2)(4b)(9)	-200	552	241	427	161	161	161	161	161	161	N08020	B462
43	(2)(4b)(9)	-200	552	241	649	161	161	161	161	161	161	N06600	B564
45	(2)(4b)(9)	-200	585	240	538	161	161	161	161	161	161	N08825	B366
45	(2)(4b)(9)	-200	585	240	538	160	160	160	160	160	160	N08825	B564
43	(2)(4b)(32)(74)	-200	689	276	816	184	184	184	184	184	184	N06002	B366
45	(2)(4b)	-200	648	276	427	184	184	184	184	184	177	N08031	B366
45	(2)(4b)	-200	648	276	427	184	184	184	184	184	177	N08031	B564
43	(2)(4b)	-200	689	283	677	188	188	188	188	188	188	N10276	B366
43	(2)(4b)(9)	-200	689	283	677	188	188	188	188	188	188	N10276	B564
44	(2)(4b)(32)(74)	-200	689	310	427	207	207	207	207	207	207	N10001	B366

(12)

**Table A-1M Basic Allowable Stresses in Tension for Metals (Metric)<sup>1</sup> (Cont'd)**  
 Numbers in Parentheses Refer to Notes for Appendix A Tables; Specifications Are ASTM Unless Otherwise Indicated

		Basic Allowable Stress, S, MPa (1), at Metal Temperature, °C														
Spec. No.	UNS No. or Type/Grade	200	225	250	275	300	325	350	375	400	425	450	475	500	525	550
B564	N02200	68.9	68.9	68.9	68.9	68.9	68.9	...	...	...	...	...	...	...	...	...
B564	N08810	115	115	115	115	115	113	110	108	105	104	102	100	98.6	97.1	95.9
B564	N08811	115	115	115	115	115	113	110	108	105	104	102	100	98.7	97.1	96.1
B366	N08810	115	115	115	115	115	113	110	108	105	104	102	100	98.6	97.1	95.9
B366	N08811	115	115	115	115	115	113	110	108	105	104	102	100	98.7	97.1	96.1
B564	N04400	90.9	90.4	90.4	90.4	90.4	90.4	90.4	89.8	89.0	88.0	<b>79.7</b>	<b>59.9</b>	<b>55.2</b>	...	...
B366	N04400	90.9	90.4	90.4	90.4	90.4	90.4	90.4	89.8	89.0	88.0	<b>79.7</b>	<b>59.9</b>	<b>55.2</b>	...	...
B366	N06600	115	115	115	115	115	115	115	115	115	115	115	115	<b>84.8</b>	<b>58.4</b>	<b>39.7</b>
B366	N06030	<i>161</i>	<b>157</b>	<b>154</b>	<b>151</b>	<b>148</b>	<b>146</b>	<b>143</b>	<b>141</b>	<b>138</b>	<b>136</b>	<b>136</b>	...	...	...	...
B462	N06030	<i>161</i>	<b>157</b>	<b>154</b>	<b>151</b>	<b>148</b>	<b>146</b>	<b>143</b>	<b>141</b>	<b>138</b>	<b>136</b>	<b>136</b>	...	...	...	...
B366	N08800	138	138	138	138	138	138	138	138	138	138	138	138	138	138	136
B564	N08800	138	138	138	138	138	138	138	138	138	138	138	138	138	138	136
B366	N08020	161	161	161	161	161	161	161	161	160	157	156	...	...	...	...
B462	N08020	161	161	161	161	161	161	161	161	160	157	156	...	...	...	...
B564	N06600	161	161	161	161	161	161	161	161	161	161	161	161	<b>84.8</b>	<b>58.4</b>	<b>39.7</b>
B366	N08825	161	161	161	161	161	161	161	161	160	159	158	157	156	155	153
B564	N08825	160	160	160	160	160	160	160	160	159	158	157	156	156	154	151
B366	N06002	184	184	178	173	169	165	162	160	158	157	155	154	<b>135</b>	<b>134</b>	<b>133</b>
B366	N08031	171	166	162	158	155	152	149	146	144	141	141	...	...	...	...
B564	N08031	171	166	162	158	155	152	149	146	144	141	141	...	...	...	...
B366	N10276	188	188	187	182	177	172	168	165	162	159	157	156	155	154	<b>143</b>
B564	N10276	188	188	187	182	177	172	168	165	162	159	157	156	155	154	<b>143</b>
B366	N10001	207	207	207	207	207	207	207	207	207	206	206	...	...	...	...



**Table A-1M Basic Allowable Stresses in Tension for Metals (Metric)<sup>1</sup> (Cont'd)**  
 Numbers in Parentheses Refer to Notes for Appendix A Tables; Specifications Are ASTM Unless Otherwise Indicated

Basic Allowable Stress, S, MPa (1), at Metal Temperature, °C														UNS No. or Type/ Grade	Spec. No.
575	600	625	650	675	700	725	750	775	800	825	850	875	900		
...	...	...	...	...	...	...	...	...	...	...	...	...	...	N02200	B564
91.8	75.7	62.6	50.6	41.2	33.6	27.7	22.6	18.3	15.0	11.9	9.03	7.35	5.86	N08810	B564
94.1	85.5	69.3	56.8	46.8	38.6	31.5	25.5	20.6	17.1	13.8	10.2	7.98	6.20	N08811	B564
91.8	75.7	62.6	50.6	41.2	33.6	27.7	22.6	18.3	15.0	11.9	9.03	7.35	5.86	N08810	B366
94.1	85.5	69.3	56.8	46.8	38.6	31.5	25.5	20.6	17.1	13.8	10.2	7.98	6.20	N08811	B366
...	...	...	...	...	...	...	...	...	...	...	...	...	...	N04400	B564
...	...	...	...	...	...	...	...	...	...	...	...	...	...	N04400	B366
27.0	19.2	15.0	13.8	...	...	...	...	...	...	...	...	...	...	N06600	B366
...	...	...	...	...	...	...	...	...	...	...	...	...	...	N06030	B366
...	...	...	...	...	...	...	...	...	...	...	...	...	...	N06030	B462
107	83.8	63.9	44.7	29.8	15.5	11.7	8.68	7.20	6.25	5.11	...	...	...	N08800	B366
107	83.8	63.9	44.7	29.8	15.5	11.7	8.68	7.20	6.25	5.11	...	...	...	N08800	B564
...	...	...	...	...	...	...	...	...	...	...	...	...	...	N08020	B366
...	...	...	...	...	...	...	...	...	...	...	...	...	...	N08020	B462
27.0	19.2	15.0	13.8	...	...	...	...	...	...	...	...	...	...	N06600	B564
...	...	...	...	...	...	...	...	...	...	...	...	...	...	N08825	B366
...	...	...	...	...	...	...	...	...	...	...	...	...	...	N08825	B564
129	115	94.2	77.3	64.9	54.7	44.7	36.1	29.2	23.6	19.1	...	...	...	N06002	B366
...	...	...	...	...	...	...	...	...	...	...	...	...	...	N08031	B366
...	...	...	...	...	...	...	...	...	...	...	...	...	...	N08031	B564
119	98.4	81.6	67.0	54.5	53.8	...	...	...	...	...	...	...	...	N10276	B366
119	98.4	81.6	67.0	54.5	53.8	...	...	...	...	...	...	...	...	N10276	B564
...	...	...	...	...	...	...	...	...	...	...	...	...	...	N10001	B366

(12)

**Table A-1M Basic Allowable Stresses in Tension for Metals (Metric)<sup>1</sup> (Cont'd)**  
 Numbers in Parentheses Refer to Notes for Appendix A Tables; Specifications Are ASTM Unless Otherwise Indicated

Nominal Composition	Product Form	Spec. No.	Type/ Grade	UNS No.	Class/Condition/Temper	Size, mm
Ni-Mo-Cr	Forgings & fittings	B366	...	N06022	...	...
Ni-Cr-Mo	Forgings & fittings	B564	...	N06022	...	...
Ni-Cr-Mo	Forgings & fittings	B366	...	N06035	Sol. ann.	All
Ni-Cr-Mo	Forgings & fittings	B462	...	N06035	Sol. ann.	All
Ni-Cr-Mo	Forgings & fittings	B564	...	N06035	Sol. ann.	All
Low C-Ni-Cr-Mo	Forgings & fittings	B366	...	N06059	H.W. sol. ann.	All
Low C-Ni-Cr-Mo	Forgings & fittings	B564	...	N06059	H.W. sol. ann.	All
Low C-Ni-Cr-Mo	Forgings & fittings	B366	...	N06200	Sol. ann.	All
Low C-Ni-Cr-Mo	Forgings & fittings	B462	...	N06200	Sol. ann.	All
Low C-Ni-Cr-Mo	Forgings & fittings	B564	...	N06200	Sol. ann.	All
Ni-Cr-Mo-Cb	Forgings & fittings	B564	...	N06625	Annealed	≤ 100
Ni-Mo	Forgings & fittings	B366	...	N10665	Sol. ann.	All
Ni-Mo	Forgings & fittings	B366	...	N10675	Sol. ann.	All
Ni-Mo	Forgings & fittings	B462	...	N10675	Sol. ann.	All
Ni-Mo	Forgings & fittings	B564	...	N10675	Sol. ann.	All
Ni-Cr-W-Mo	Forgings & fittings	B564	...	N06230	Sol. ann.	All
Ni-Cr-W-Mo	Forgings & fittings	B366	...	N06230	Sol. ann.	All
Ni	Rod & bar	B160	...	N02200	H.W.	All
Ni	Rod & bar	B160	...	N02200	Annealed	All
Ni-Cu	Rod & bar	B164	...	N04400	Ann. forg.	All
Ni-Fe-Cr	Rod & bar	B408	...	N08810	Sol. trt. or ann.	...
Ni-Fe-Cr	Rod & bar	B408	...	N08811	Annealed	...
Ni-Fe-Cr	Rod & bar	B408	...	N08800	Annealed	...
Ni-Fe-Cr-Mo	Rod & bar	B621	...	N08320	Sol. ann.	All
Ni-Cr-Fe-Mo-Cu	Rod & bar	B581	...	N06007	Sol. ann.	> 19
Ni-Fe-Cr-Mo-Cu	Rod & bar	B425	...	N08825	Annealed	...
Ni-Cr-Fe-Mo-Cu	Rod & bar	B581	...	N06007	Sol. ann.	≤ 19
Ni-Cr-Fe-Mo-W	Rod & bar	B581	...	N06030	Sol. ann.	All

**Table A-1M Basic Allowable Stresses in Tension for Metals (Metric)<sup>1</sup> (Cont'd)**  
 Numbers in Parentheses Refer to Notes for Appendix A Tables; Specifications Are ASTM Unless Otherwise Indicated

P-No. (5)	Notes	Min. Temp., °C (6)	Min. Tensile Strength, MPa	Min. Yield Strength, MPa	Max. Use Temp., °C	Basic Allowable Stress, S, MPa (1), at Metal Temperature, °C						UNS No. or Type/ Grade	Spec. No.
						40	65	100	125	150	175		
43	(2)(4b)(32)(74)	-200	689	310	427	207	207	207	207	207	207	N06022	B366
43	(2)(4b)	-200	689	310	427	207	207	207	207	207	207	N06022	B564
43	(2)(4b)(32)(74)	-200	586	241	427	161	161	161	161	161	161	N06035	B366
43	(2)(4b)(9)	-200	586	241	427	161	161	161	161	161	161	N06035	B462
43	(2)(4b)(9)	-200	586	241	427	161	161	161	161	161	161	N06035	B564
43	(2)(4b)	-200	689	310	427	207	207	207	207	207	207	N06059	B366
43	(2)(4b)	-200	689	310	427	207	207	207	207	207	207	N06059	B564
43	(2)(4b)	-200	689	310	427	207	207	207	207	207	207	N06200	B366
43	(2)(4b)	-200	689	310	427	207	207	207	207	207	207	N06200	B462
43	(2)(4b)	-200	689	310	427	207	207	207	207	207	207	N06200	B564
43	(2)(4b)(9)(64)	-200	827	414	649	276	276	276	274	273	272	N06625	B564
44	(2)(4b)	-200	758	352	427	234	234	234	234	234	234	N10665	B366
44	(2)(4b)	-200	758	352	427	234	234	234	234	234	234	N10675	B366
44	(2)(4b)	-200	758	352	427	234	234	234	234	234	234	N10675	B462
44	(2)(4b)	-200	758	352	427	234	234	234	234	234	234	N10675	B564
43	(2)(4b)	-200	758	310	899	207	207	207	207	207	207	N06230	B564
43	(2)(4b)	-200	758	310	899	207	207	207	207	207	207	N06230	B366
41	(4b)(9)	-200	414	103	316	68.9	68.9	68.9	68.9	68.9	68.9	N02200	B160
41	(4b)(9)	-200	379	103	316	68.9	68.9	68.9	68.9	68.9	68.9	N02200	B160
42	(4b)(13)	-200	483	172	482	115	106	99.7	96.2	93.6	91.9	N04400	B164
45	(4b)(9)	-200	450	170	899	115	115	115	115	115	115	N08810	B408
45	(4b)(9)	-200	450	170	899	115	115	115	115	115	115	N08811	B408
45	(4b)(9)	-200	515	205	816	138	138	138	138	138	138	N08800	B408
45	(4b)	-200	517	193	427	129	129	129	129	129	129	N08320	B621
45	(4b)	-200	586	207	538	138	138	138	138	138	138	N06007	B581
45	(4b)(9)	-200	585	240	538	161	161	161	161	161	161	N08825	B425
45	(4b)	-200	621	241	538	161	161	161	161	161	161	N06007	B581
45	(4b)	-200	586	241	427	161	161	161	161	161	161	N06030	B581

(12)

**Table A-1M Basic Allowable Stresses in Tension for Metals (Metric)<sup>1</sup> (Cont'd)**  
 Numbers in Parentheses Refer to Notes for Appendix A Tables; Specifications Are ASTM Unless Otherwise Indicated

Spec. No.	UNS No. or Type/Grade	Basic Allowable Stress, S, MPa (1), at Metal Temperature, °C														
		200	225	250	275	300	325	350	375	400	425	450	475	500	525	550
B366	N06022	207	207	202	197	193	189	185	182	180	177	177	...	...	...	...
B564	N06022	207	207	202	197	193	189	185	182	180	177	177	...	...	...	...
B366	N06035	<b>154</b>	<b>149</b>	<b>144</b>	<b>140</b>	<b>137</b>	<b>135</b>	<b>133</b>	<b>132</b>	<b>131</b>	<b>129</b>	<b>128</b>	...	...	...	...
B462	N06035	<b>154</b>	<b>149</b>	<b>144</b>	<b>140</b>	<b>137</b>	<b>135</b>	<b>133</b>	<b>132</b>	<b>131</b>	<b>129</b>	<b>128</b>	...	...	...	...
B564	N06035	<b>154</b>	<b>149</b>	<b>144</b>	<b>140</b>	<b>137</b>	<b>135</b>	<b>133</b>	<b>132</b>	<b>131</b>	<b>129</b>	<b>128</b>	...	...	...	...
B366	N06059	207	207	206	202	197	192	188	184	180	176	176	...	...	...	...
B564	N06059	207	207	206	202	197	192	188	184	180	176	176	...	...	...	...
B366	N06200	207	<b>207</b>	<b>200</b>	<b>194</b>	<b>188</b>	<b>184</b>	<b>180</b>	<b>177</b>	<b>175</b>	<b>174</b>	<b>173</b>	...	...	...	...
B462	N06200	207	<b>207</b>	<b>200</b>	<b>194</b>	<b>188</b>	<b>184</b>	<b>180</b>	<b>177</b>	<b>175</b>	<b>174</b>	<b>173</b>	...	...	...	...
B564	N06200	207	<b>207</b>	<b>200</b>	<b>194</b>	<b>188</b>	<b>184</b>	<b>180</b>	<b>177</b>	<b>175</b>	<b>174</b>	<b>173</b>	...	...	...	...
B564	N06625	<i>270</i>	<i>269</i>	<i>267</i>	<i>265</i>	<i>262</i>	<i>260</i>	<i>257</i>	<i>255</i>	<i>252</i>	<i>251</i>	<i>249</i>	<i>247</i>	<i>245</i>	<i>242</i>	<b>215</b>
B366	N10665	234	234	234	234	234	234	234	234	234	234	234	...	...	...	...
B366	N10675	<i>234</i>	<i>234</i>	<i>234</i>	<i>234</i>	<i>234</i>	<i>234</i>	<i>234</i>	<i>234</i>	<b>233</b>	<b>231</b>	<b>230</b>	...	...	...	...
B462	N10675	<i>234</i>	<i>234</i>	<i>234</i>	<i>234</i>	<i>234</i>	<i>234</i>	<i>234</i>	<i>234</i>	<b>233</b>	<b>231</b>	<b>230</b>	...	...	...	...
B564	N10675	<i>234</i>	<i>234</i>	<i>234</i>	<i>234</i>	<i>234</i>	<i>234</i>	<i>234</i>	<i>234</i>	<b>233</b>	<b>231</b>	<b>230</b>	...	...	...	...
B564	N06230	<i>207</i>	<i>207</i>	<i>207</i>	<i>207</i>	<b>207</b>	<b>203</b>	<b>199</b>	<b>197</b>	<b>196</b>	<b>195</b>	<b>195</b>	<b>195</b>	<b>195</b>	<b>195</b>	<b>195</b>
B366	N06230	<i>207</i>	<i>207</i>	<i>207</i>	<i>207</i>	<b>207</b>	<b>203</b>	<b>199</b>	<b>197</b>	<b>196</b>	<b>195</b>	<b>195</b>	<b>195</b>	<b>195</b>	<b>195</b>	<b>195</b>
B160	N02200	68.9	68.9	68.9	68.9	68.9	68.9	...	...	...	...	...	...	...	...	...
B160	N02200	68.9	68.9	68.9	68.9	68.9	68.9	...	...	...	...	...	...	...	...	...
B164	N04400	90.9	90.4	90.4	90.4	90.4	90.4	90.4	89.8	89.0	88.0	<b>79.7</b>	<b>59.9</b>	<b>55.2</b>	...	...
B408	N08810	115	115	115	115	115	113	110	108	105	104	102	100	98.6	97.1	95.9
B408	N08811	115	115	115	115	115	113	110	108	105	104	102	100	98.7	97.1	96.1
B408	N08800	138	138	138	138	138	138	138	138	138	138	138	138	138	137	131
B621	N08320	129	129	129	129	129	127	125	122	121	119	119	...	...	...	...
B581	N06007	138	138	138	138	135	134	132	131	130	129	128	128	127	127	126
B425	N08825	161	161	161	161	161	161	161	161	160	159	158	157	156	155	153
B581	N06007	161	161	161	160	158	156	154	153	152	151	150	149	<b>136</b>	<b>132</b>	<b>130</b>
B581	N06030	<i>161</i>	<b>157</b>	<b>154</b>	<b>151</b>	<b>148</b>	<b>146</b>	<b>143</b>	<b>141</b>	<b>138</b>	<b>136</b>	<b>136</b>	...	...	...	...

**Table A-1M Basic Allowable Stresses in Tension for Metals (Metric)<sup>1</sup> (Cont'd)**  
 Numbers in Parentheses Refer to Notes for Appendix A Tables; Specifications Are ASTM Unless Otherwise Indicated

Basic Allowable Stress, S, MPa (1), at Metal Temperature, °C														UNS No. or Type/ Grade	Spec. No.
575	600	625	650	675	700	725	750	775	800	825	850	875	900		
...	...	...	...	...	...	...	...	...	...	...	...	...	...	N06022	B366
...	...	...	...	...	...	...	...	...	...	...	...	...	...	N06022	B564
...	...	...	...	...	...	...	...	...	...	...	...	...	...	N06035	B366
...	...	...	...	...	...	...	...	...	...	...	...	...	...	N06035	B462
...	...	...	...	...	...	...	...	...	...	...	...	...	...	N06035	B564
...	...	...	...	...	...	...	...	...	...	...	...	...	...	N06059	B366
...	...	...	...	...	...	...	...	...	...	...	...	...	...	N06059	B564
...	...	...	...	...	...	...	...	...	...	...	...	...	...	N06200	B366
...	...	...	...	...	...	...	...	...	...	...	...	...	...	N06200	B462
...	...	...	...	...	...	...	...	...	...	...	...	...	...	N06200	B564
<b>194</b>	<b>156</b>	<b>136</b>	<b>91.0</b>	...	...	...	...	...	...	...	...	...	...	N06625	B564
...	...	...	...	...	...	...	...	...	...	...	...	...	...	N10665	B366
...	...	...	...	...	...	...	...	...	...	...	...	...	...	N10675	B366
...	...	...	...	...	...	...	...	...	...	...	...	...	...	N10675	B462
...	...	...	...	...	...	...	...	...	...	...	...	...	...	N10675	B564
183	153	128	107	89.7	74.7	61.9	50.8	41.1	32.6	25.2	18.9	13.8	10.2	N06230	B564
183	153	128	107	89.7	74.7	61.9	50.8	41.1	32.6	25.2	18.9	13.8	10.2	N06230	B366
...	...	...	...	...	...	...	...	...	...	...	...	...	...	N02200	B160
...	...	...	...	...	...	...	...	...	...	...	...	...	...	N02200	B160
...	...	...	...	...	...	...	...	...	...	...	...	...	...	N04400	B164
91.8	<b>75.7</b>	<b>62.6</b>	<b>50.6</b>	<b>41.2</b>	<b>33.6</b>	<b>27.7</b>	<b>22.6</b>	<b>18.3</b>	<b>15.0</b>	<b>11.9</b>	<b>9.03</b>	<b>7.35</b>	<b>5.86</b>	N08810	B408
94.1	<b>85.5</b>	<b>69.3</b>	<b>56.8</b>	<b>46.8</b>	<b>38.6</b>	<b>31.5</b>	<b>25.5</b>	<b>20.6</b>	<b>17.1</b>	<b>13.8</b>	<b>10.2</b>	<b>7.98</b>	<b>6.20</b>	N08811	B408
<b>108</b>	<b>85.0</b>	<b>64.4</b>	<b>44.8</b>	<b>30.0</b>	<b>15.5</b>	<b>11.3</b>	<b>8.82</b>	<b>6.98</b>	<b>6.43</b>	<b>5.00</b>	...	...	...	N08800	B408
...	...	...	...	...	...	...	...	...	...	...	...	...	...	N08320	B621
...	...	...	...	...	...	...	...	...	...	...	...	...	...	N06007	B581
...	...	...	...	...	...	...	...	...	...	...	...	...	...	N08825	B425
...	...	...	...	...	...	...	...	...	...	...	...	...	...	N06007	B581
...	...	...	...	...	...	...	...	...	...	...	...	...	...	N06030	B581

(12)

**Table A-1M Basic Allowable Stresses in Tension for Metals (Metric)<sup>1</sup> (Cont'd)**  
 Numbers in Parentheses Refer to Notes for Appendix A Tables; Specifications Are ASTM Unless Otherwise Indicated

Nominal Composition	Product Form	Spec. No.	Type/Grade	UNS No.	Class/Condition/Temper	Size, mm
Low C-Ni-Fe-Cr-Mo-Cu	Rod & bar	B649	...	N08031	Annealed	All
Ni-Cu	Rod & bar	B164	...	N04400	H.W.	All except hex > 54
Ni-Cr-Mo	Rod & bar	B574	...	N06035	Sol. ann.	All
Ni-Mo-Cr	Rod & bar	B574	...	N06455	Sol. ann.	All
Ni-Mo-Cr	Rod & bar	B574	...	N10276	Sol. ann.	All
Ni-Cr-Mo-Cb	Rod & bar	B446	...	N06625	Annealed	> 100, ≤ 250
Ni-Cr-Mo-Cb	Rod & bar	B446	...	N06625	Annealed	≤ 100
Ni-Cr-W-Mo	Rod & bar	B572	...	N06230	Sol. ann.	All
Low C-Ni-Cr-Mo	Rod & bar	B574	...	N06059	Sol. ann.	All
Low C-Ni-Cr-Mo	Rod & bar	B574	...	N06200	Sol. ann.	All
Ni-Mo	Rod & bar	B335	...	N10675	Sol. ann.	All
Ni-Mo-Cr	Castings	A494	CW-12MW	...	...	...
Ni-Mo-Cr	Castings	A494	CW-6M	...	...	...
Ni-Cr-Mo	Castings	A494	CX-2MW	...	Sol. ann.	...

**Table A-1M Basic Allowable Stresses in Tension for Metals (Metric)<sup>1</sup> (Cont'd)**  
 Numbers in Parentheses Refer to Notes for Appendix A Tables; Specifications Are ASTM Unless Otherwise Indicated

P-No. (5)	Notes	Min. Temp., °C (6)	Min. Tensile Strength, MPa	Min. Yield Strength, MPa	Max. Use Temp., °C	Basic Allowable Stress, S, MPa (1), at Metal Temperature, °C						UNS No. or Type/ Grade	Spec. No.
						40	65	100	125	150	175		
45	(4b)	-200	648	276	427	184	184	184	184	184	177	N08031	B649
42	(4b)	-200	552	276	510	184	182	177	174	171	168	N04400	B164
43	(4b)(9)	-200	586	241	427	161	161	161	161	161	161	N06035	B574
43	(4b)(9)	-200	689	276	427	184	184	184	184	184	184	N06455	B574
43	(4b)	-200	689	283	677	188	188	188	188	188	188	N10276	B574
43	(4b)(9)(64)(70)	-200	758	345	649	230	230	230	230	230	230	N06625	B446
43	(4b)(9)(64)(70)	-200	827	414	649	276	276	276	274	273	272	N06625	B446
43	(4b)	-200	758	310	899	207	207	207	207	207	207	N06230	B572
43	(4b)	-200	689	310	427	207	207	207	207	207	207	N06059	B574
43	(4b)	-200	689	310	427	207	207	207	207	207	207	N06200	B574
44	(4b)	-200	758	352	427	234	234	234	234	234	234	N10675	B335
...	(2)(4b)(9)(46)	-200	496	276	538	165	165	165	165	165	165	CW-12MW	A494
...	(2)(4b)(9)	-200	496	276	538	165	165	165	165	165	165	CW-6M	A494
43	(2)(4b)(9)	-200	552	310	260	184	184	184	184	184	184	CX-2MW	A494

(12)

**Table A-1M Basic Allowable Stresses in Tension for Metals (Metric)<sup>1</sup> (Cont'd)**  
 Numbers in Parentheses Refer to Notes for Appendix A Tables; Specifications Are ASTM Unless Otherwise Indicated

		Basic Allowable Stress, S, MPa (1), at Metal Temperature, °C														
Spec. No.	UNS No. or Type/Grade	200	225	250	275	300	325	350	375	400	425	450	475	500	525	550
B649	N08031	171	166	162	158	155	152	149	146	144	141	141	...	...	...	...
B164	N04400	165	164	162	161	160	159	158	156	<b>136</b>	<b>102</b>	<b>63.8</b>	<b>33.5</b>	<b>17.0</b>	<b>13.0</b>	...
B574	N06035	<b>154</b>	<b>149</b>	<b>144</b>	<b>140</b>	<b>137</b>	<b>135</b>	<b>133</b>	<b>132</b>	<b>131</b>	<b>129</b>	<b>128</b>	...	...	...	...
B574	N06455	184	184	184	184	184	184	184	182	180	178	178	...	...	...	...
B574	N10276	188	188	187	182	177	172	168	165	162	159	157	156	155	154	<b>143</b>
B446	N06625	230	230	230	230	230	230	230	230	230	230	228	227	225	222	<b>215</b>
B446	N06625	270	269	267	265	262	260	257	255	252	251	249	247	245	242	<b>215</b>
B572	N06230	207	207	207	207	<b>207</b>	<b>203</b>	<b>199</b>	<b>197</b>	<b>196</b>	<b>195</b>	<b>195</b>	<b>195</b>	<b>195</b>	<b>195</b>	<b>195</b>
B574	N06059	207	207	206	202	197	192	188	184	180	176	176	...	...	...	...
B574	N06200	207	<b>207</b>	<b>200</b>	<b>194</b>	<b>188</b>	<b>184</b>	<b>180</b>	<b>177</b>	<b>175</b>	<b>174</b>	<b>173</b>	...	...	...	...
B335	N10675	234	234	234	234	234	234	234	234	<b>233</b>	<b>231</b>	<b>230</b>	...	...	...	...
A494	CW-12MW	165	165	165	165	165	165	165	165	165	165	165	165	165	165	157
A494	CW-6M	165	165	165	165	165	165	165	165	165	165	165	165	165	165	157
A494	CX-2MW	184	184	184	184	...	...	...	...	...	...	...	...	...	...	...



**Table A-1M Basic Allowable Stresses in Tension for Metals (Metric)<sup>1</sup> (Cont'd)**  
 Numbers in Parentheses Refer to Notes for Appendix A Tables; Specifications Are ASTM Unless Otherwise Indicated

Basic Allowable Stress, S, MPa (1), at Metal Temperature, °C														UNS No. or Type/ Grade	Spec. No.
575	600	625	650	675	700	725	750	775	800	825	850	875	900		
...	...	...	...	...	...	...	...	...	...	...	...	...	...	N08031	B649
...	...	...	...	...	...	...	...	...	...	...	...	...	...	N04400	B164
...	...	...	...	...	...	...	...	...	...	...	...	...	...	N06035	B574
...	...	...	...	...	...	...	...	...	...	...	...	...	...	N06455	B574
<b>119</b>	<b>98.4</b>	<b>81.6</b>	<b>67.0</b>	<b>54.5</b>	<b>53.8</b>	...	...	...	...	...	...	...	...	N10276	B574
<b>194</b>	<b>156</b>	<b>136</b>	<b>91.0</b>	...	...	...	...	...	...	...	...	...	...	N06625	B446
<b>194</b>	<b>156</b>	<b>136</b>	<b>91.0</b>	...	...	...	...	...	...	...	...	...	...	N06625	B446
183	153	128	107	89.7	74.7	61.9	50.8	41.1	32.6	25.2	18.9	13.8	10.2	N06230	B572
...	...	...	...	...	...	...	...	...	...	...	...	...	...	N06059	B574
...	...	...	...	...	...	...	...	...	...	...	...	...	...	N06200	B574
...	...	...	...	...	...	...	...	...	...	...	...	...	...	N10675	B335
...	...	...	...	...	...	...	...	...	...	...	...	...	...	CW-12MW	A494
...	...	...	...	...	...	...	...	...	...	...	...	...	...	CW-6M	A494
...	...	...	...	...	...	...	...	...	...	...	...	...	...	CX-2MW	A494

(12)

**Table A-1M Basic Allowable Stresses in Tension for Metals (Metric)<sup>1</sup> (Cont'd)**

Numbers in Parentheses Refer to Notes for Appendix A Tables; Specifications Are ASTM Unless Otherwise Indicated

Nominal Composition	Product Form	Spec. No.	Type/ Grade	UNS No.	P-No. (5)	Notes	Min. Temp., °C (6)	Min. Tensile Strength, MPa	Min. Yield Strength, MPa	Max. Use Temp., °C
Ti	Pipes & tubes	B861	1	R50250	51	(2)	-60	241	138	316
Ti	Pipes & tubes	B862	1	R50250	51	(2)	-60	241	138	316
Ti	Pipes & tubes	B861	2	R50400	51	(2)	-60	345	276	316
Ti	Pipes & tubes	B862	2	R50400	51	(2)	-60	345	276	316
Ti-0.2Pd	Pipes & tubes	B861	7	R52400	51	(2)	-60	345	276	316
Ti-0.2Pd	Pipes & tubes	B862	7	R52400	51	(2)	-60	345	276	316
Ti	Pipes & tubes	B861	3	R50550	52	(2)	-60	448	379	316
Ti	Pipes & tubes	B862	3	R50550	52	(2)	-60	448	379	316
Ti	Plates & sheets	B265	1	R50250	51	...	-60	241	172	316
Ti	Plates & sheets	B265	2	R50400	51	...	-60	345	276	316
Ti	Plates & sheets	B265	3	R50550	52	...	-60	448	379	316
Ti	Forgings	B381	F1	R50250	51	...	-60	241	172	316
Ti	Forgings	B381	F2	R50400	51	...	-60	345	276	316
Ti	Forgings	B381	F3	R50550	52	...	-60	448	379	316

**Table A-1M Basic Allowable Stresses in Tension for Metals (Metric)<sup>1</sup> (Cont'd)**  
 Numbers in Parentheses Refer to Notes for Appendix A Tables; Specifications Are ASTM Unless Otherwise Indicated

Basic Allowable Stress, <i>S</i> , MPa (1), at Metal Temperature, °C													
40	65	100	125	150	175	200	225	250	275	300	325	UNS No.	Spec. No.
80.4	74.0	62.4	55.5	49.2	43.6	38.5	34.0	30.2	27.2	25.2	24.1	R50250	B861
80.4	74.0	62.4	55.5	49.2	43.6	38.5	34.0	30.2	27.2	25.2	24.1	R50250	B862
115	111	97.8	89.8	82.9	77.0	71.9	67.2	62.9	58.7	54.7	51.3	R50400	B861
115	111	97.8	89.8	82.9	77.0	71.9	67.2	62.9	58.7	54.7	51.3	R50400	B862
115	111	97.8	89.8	82.9	77.0	71.9	67.2	62.9	58.7	54.7	51.3	R52400	B861
115	111	97.8	89.8	82.9	77.0	71.9	67.2	62.9	58.7	54.7	51.3	R52400	B862
149	141	124	112	102	92.8	84.5	77.1	70.8	65.5	61.3	58.2	R50550	B861
149	141	124	112	102	92.8	84.5	77.1	70.8	65.5	61.3	58.2	R50550	B862
80.4	75.0	64.6	58.3	52.9	48.5	44.8	41.7	37.7	34.0	31.5	26.6	R50250	B265
115	111	97.8	89.8	82.9	77.0	71.9	67.2	62.9	58.7	54.7	51.3	R50400	B265
149	141	124	112	102	92.8	84.5	77.1	70.8	65.5	61.3	58.2	R50550	B265
80.4	75.0	64.6	58.3	52.9	48.5	44.8	41.7	37.7	34.0	31.5	26.6	R50250	B381
115	111	97.8	89.8	82.9	77.0	71.9	67.2	62.9	58.7	54.7	51.3	R50400	B381
149	141	124	112	102	92.8	84.5	77.1	70.8	65.5	61.3	58.2	R50550	B381

(12)

**Table A-1M Basic Allowable Stresses in Tension for Metals (Metric)<sup>1</sup> (Cont'd)**  
 Numbers in Parentheses Refer to Notes for Appendix A Tables; Specifications Are ASTM Unless Otherwise Indicated

Nominal Composition	Product Form	Spec. No.	UNS No.	P-No. (5)	Notes	Min. Temp., °C (6)	Min. Tensile Strength, MPa	Min. Yield Strength, MPa	Max. Use Temp., °C
Zr	Pipes & tubes	B523	R60702	61	(2)	-60	379	207	371
Zr	Pipes & tubes	B658	R60702	61	(2)	-60	379	207	371
Zr + Cb	Pipes & tubes	B523	R60705	62	(2)(73)	-60	552	379	371
Zr + Cb	Pipes & tubes	B658	R60705	62	(2)(73)	-60	552	379	371
Zr	Plates & sheets	B551	R60702	61	...	-60	379	207	371
Zr + Cb	Plates & sheets	B551	R60705	62	(73)	-60	552	379	371
Zr	Forgings & bar	B493	R60702	61	...	-60	379	207	371
Zr	Forgings & bar	B550	R60702	61	...	-60	379	207	371
Zr + Cb	Forgings & bar	B493	R60705	62	(73)	-60	483	379	371
Zr + Cb	Forgings & bar	B550	R60705	62	(73)	-60	552	379	371

**Table A-1M Basic Allowable Stresses in Tension for Metals (Metric)<sup>1</sup> (Cont'd)**  
 Numbers in Parentheses Refer to Notes for Appendix A Tables; Specifications Are ASTM Unless Otherwise Indicated

Basic Allowable Stress, <i>S</i> , MPa (1), at Metal Temperature, °C														UNS No.	Spec. No.
40	65	100	125	150	175	200	225	250	275	300	325	350	375		
126	119	103	92.4	82.5	73.6	65.7	58.8	52.8	47.8	43.7	40.4	37.8	36.1	R60702	B523
126	119	103	92.4	82.5	73.6	65.7	58.8	52.8	47.8	43.7	40.4	37.8	36.1	R60702	B658
184	169	149	139	130	123	116	111	106	101	97.6	94.6	92.4	91.0	R60705	B523
184	169	149	139	130	123	116	111	106	101	97.6	94.6	92.4	91.0	R60705	B658
126	119	103	92.4	82.5	73.6	65.7	58.8	52.8	47.8	43.7	40.4	37.8	36.1	R60702	B551
184	169	149	139	130	123	116	111	106	101	97.6	94.6	92.4	91.0	R60705	B551
126	119	103	92.4	82.5	73.6	65.7	58.8	52.8	47.8	43.7	40.4	37.8	36.1	R60702	B493
126	119	103	92.4	82.5	73.6	65.7	58.8	52.8	47.8	43.7	40.4	37.8	36.1	R60702	B550
184	169	149	139	130	123	116	111	106	101	97.6	94.6	92.4	91.0	R60705	B493
184	169	149	139	130	123	116	111	106	101	97.6	94.6	92.4	91.0	R60705	B550

(12)

**Table A-1M Basic Allowable Stresses in Tension for Metals (Metric)<sup>1</sup> (Cont'd)**  
 Numbers in Parentheses Refer to Notes for Appendix A Tables; Specifications Are ASTM Unless Otherwise Indicated

Nominal Composition	Product Form	Spec. No.	Type/Grade	UNS No.	Class/Condition/Temp	Size, mm	P-No. (5)
Aluminum alloy	Seamless pipes & tubes	B210	1060	A91060	O	...	21
Aluminum alloy	Seamless pipes & tubes	B210	1060	A91060	H112	...	21
Aluminum alloy	Seamless pipes & tubes	B210	1060	A91060	H113	...	21
Aluminum alloy	Seamless pipes & tubes	B241	1060	A91060	O	...	21
Aluminum alloy	Seamless pipes & tubes	B241	1060	A91060	H112	...	21
Aluminum alloy	Seamless pipes & tubes	B241	1060	A91060	H113	...	21
Aluminum alloy	Seamless pipes & tubes	B345	1060	A91060	O	...	21
Aluminum alloy	Seamless pipes & tubes	B345	1060	A91060	H112	...	21
Aluminum alloy	Seamless pipes & tubes	B345	1060	A91060	H113	...	21
Aluminum alloy	Seamless pipes & tubes	B210	1060	A91060	H14	...	21
Aluminum alloy	Seamless pipes & tubes	B241	1100	A91100	O	...	21
Aluminum alloy	Seamless pipes & tubes	B241	1100	A91100	H112	...	21
Aluminum alloy	Seamless pipes & tubes	B210	1100	A91100	H113	...	21
Aluminum alloy	Seamless pipes & tubes	B210	1100	A91100	H14	...	21
Aluminum alloy	Seamless pipes & tubes	B210	3003	A93003	O	...	21
Aluminum alloy	Seamless pipes & tubes	B210	3003	A93003	H112	...	21
Aluminum alloy	Seamless pipes & tubes	B241	3003	A93003	O	...	21
Aluminum alloy	Seamless pipes & tubes	B241	3003	A93003	H112	...	21
Aluminum alloy	Seamless pipes & tubes	B345	3003	A93003	O	...	21
Aluminum alloy	Seamless pipes & tubes	B345	3003	A93003	H112	...	21
Aluminum alloy	Seamless pipes & tubes	B491	3003	A93003	O	...	21
Aluminum alloy	Seamless pipes & tubes	B491	3003	A93003	H112	...	21
Aluminum alloy	Seamless pipes & tubes	B210	3003	A93003	H14	...	21
Aluminum alloy	Seamless pipes & tubes	B210	3003	A93003	H18	...	21
Aluminum alloy	Seamless pipes & tubes	B241	3003	A93003	H18	...	21
Aluminum alloy	Seamless pipes & tubes	B345	3003	A93003	H18	...	21

**Table A-1M Basic Allowable Stresses in Tension for Metals (Metric)<sup>1</sup> (Cont'd)**  
 Numbers in Parentheses Refer to Notes for Appendix A Tables; Specifications Are ASTM Unless Otherwise Indicated

Notes	Min. Temp., °C (6)	Min. Tensile Strength, MPa	Min. Yield Strength, MPa	Max. Use Temp., °C	Basic Allowable Stress, S, MPa (1), at Metal Temperature, °C								UNS No.	Spec. No.
					40	65	100	125	150	175	200	225		
(14)(33)	-270	59	17	204	11.5	11.5	10.9	9.8	8.8	<b>7.5</b>	<b>5.8</b>	<b>5.5</b>	A91060	B210
(14)(33)	-270	59	17	204	11.5	11.5	10.9	9.8	8.8	<b>7.5</b>	<b>5.8</b>	<b>5.5</b>	A91060	B210
(14)(33)	-270	59	17	204	11.5	11.5	10.9	9.8	8.8	<b>7.5</b>	<b>5.8</b>	<b>5.5</b>	A91060	B210
(14)(33)	-270	59	17	204	11.5	11.5	10.9	9.8	8.8	<b>7.5</b>	<b>5.8</b>	<b>5.5</b>	A91060	B241
(14)(33)	-270	59	17	204	11.5	11.5	10.9	9.8	8.8	<b>7.5</b>	<b>5.8</b>	<b>5.5</b>	A91060	B241
(14)(33)	-270	59	17	204	11.5	11.5	10.9	9.8	8.8	<b>7.5</b>	<b>5.8</b>	<b>5.5</b>	A91060	B241
(14)(33)	-270	59	17	204	11.5	11.5	10.9	9.8	8.8	<b>7.5</b>	<b>5.8</b>	<b>5.5</b>	A91060	B345
(14)(33)	-270	59	17	204	11.5	11.5	10.9	9.8	8.8	<b>7.5</b>	<b>5.8</b>	<b>5.5</b>	A91060	B345
(14)(33)	-270	59	17	204	11.5	11.5	10.9	9.8	8.8	<b>7.5</b>	<b>5.8</b>	<b>5.5</b>	A91060	B345
(14)(33)	-270	83	69	204	<i>27.6</i>	<i>27.6</i>	<i>27.6</i>	<i>26.6</i>	<b>18.1</b>	<b>12.7</b>	<b>8.4</b>	<b>7.8</b>	A91060	B210
(14)(33)	-270	76	21	204	13.8	13.8	13.7	13.2	<b>11.8</b>	<b>9.3</b>	<b>7.2</b>	<b>6.9</b>	A91100	B241
(14)(33)	-270	76	21	204	13.8	13.8	13.7	13.2	<b>11.8</b>	<b>9.3</b>	<b>7.2</b>	<b>6.9</b>	A91100	B241
(14)(33)	-270	76	24	204	16.1	16.1	16.0	15.6	<b>11.8</b>	<b>9.3</b>	<b>7.2</b>	<b>6.9</b>	A91100	B210
(14)(33)	-270	110	97	204	<i>36.8</i>	<i>36.8</i>	<i>36.1</i>	<i>33.1</i>	<b>19.0</b>	<b>13.6</b>	<b>8.5</b>	<b>7.8</b>	A91100	B210
(14)(33)	-270	97	34	204	23.0	22.1	21.4	20.5	<b>18.2</b>	<b>13.6</b>	<b>10.9</b>	<b>10.5</b>	A93003	B210
(14)(33)	-270	97	34	204	23.0	22.1	21.4	20.5	<b>18.2</b>	<b>13.6</b>	<b>10.9</b>	<b>10.5</b>	A93003	B210
(14)(33)	-270	97	34	204	23.0	22.1	21.4	20.5	<b>18.2</b>	<b>13.6</b>	<b>10.9</b>	<b>10.5</b>	A93003	B241
(14)(33)	-270	97	34	204	23.0	22.1	21.4	20.5	<b>18.2</b>	<b>13.6</b>	<b>10.9</b>	<b>10.5</b>	A93003	B241
(14)(33)	-270	97	34	204	23.0	22.1	21.4	20.5	<b>18.2</b>	<b>13.6</b>	<b>10.9</b>	<b>10.5</b>	A93003	B345
(14)(33)	-270	97	34	204	23.0	22.1	21.4	20.5	<b>18.2</b>	<b>13.6</b>	<b>10.9</b>	<b>10.5</b>	A93003	B345
(14)(33)	-270	97	34	204	23.0	22.1	21.4	20.5	<b>18.2</b>	<b>13.6</b>	<b>10.9</b>	<b>10.5</b>	A93003	B491
(14)(33)	-270	97	34	204	23.0	22.1	21.4	20.5	<b>18.2</b>	<b>13.6</b>	<b>10.9</b>	<b>10.5</b>	A93003	B491
(14)(33)	-270	138	117	204	<i>46.0</i>	<i>46.0</i>	<i>46.0</i>	<i>43.9</i>	<b>29.0</b>	<b>21.1</b>	<b>16.7</b>	<b>16.1</b>	A93003	B210
(14)(33)	-270	186	165	204	<i>62.1</i>	<i>62.1</i>	<i>60.3</i>	<b>52.1</b>	<b>36.1</b>	<b>24.5</b>	<b>18.0</b>	<b>17.0</b>	A93003	B210
(14)(33)	-270	186	165	204	<i>62.1</i>	<i>62.1</i>	<i>60.3</i>	<b>52.1</b>	<b>36.1</b>	<b>24.5</b>	<b>18.0</b>	<b>17.0</b>	A93003	B241
(14)(33)	-270	186	165	204	<i>62.1</i>	<i>62.1</i>	<i>60.3</i>	<b>52.1</b>	<b>36.1</b>	<b>24.5</b>	<b>18.0</b>	<b>17.0</b>	A93003	B345

(12)

**Table A-1M Basic Allowable Stresses in Tension for Metals (Metric)<sup>1</sup> (Cont'd)**  
 Numbers in Parentheses Refer to Notes for Appendix A Tables; Specifications Are ASTM Unless Otherwise Indicated

Nominal Composition	Product Form	Spec. No.	Type/ Grade	UNS No.	Class/ Condition/ Temper	Size, mm	P-No. (5)
Aluminum alloy	Seamless pipes & tubes	B210	Alclad 3003	A83003	O	...	21
Aluminum alloy	Seamless pipes & tubes	B210	Alclad 3003	A83003	H112	...	21
Aluminum alloy	Seamless pipes & tubes	B241	Alclad 3003	A83003	O	...	21
Aluminum alloy	Seamless pipes & tubes	B241	Alclad 3003	A83003	H112	...	21
Aluminum alloy	Seamless pipes & tubes	B345	Alclad 3003	A83003	O	...	21
Aluminum alloy	Seamless pipes & tubes	B345	Alclad 3003	A83003	H112	...	21
Aluminum alloy	Seamless pipes & tubes	B210	Alclad 3003	A83003	H14	...	21
Aluminum alloy	Seamless pipes & tubes	B210	Alclad 3003	A83003	H18	...	21
Aluminum alloy	Seamless pipes & tubes	B210	5052	A95052	O	...	22
Aluminum alloy	Seamless pipes & tubes	B241	5052	A95052	O	...	22
Aluminum alloy	Seamless pipes & tubes	B210	5052	A95052	H32	...	22
Aluminum alloy	Seamless pipes & tubes	B210	5052	A95052	H34	...	22
Aluminum alloy	Seamless pipes & tubes	B241	5083	A95083	O	...	25
Aluminum alloy	Seamless pipes & tubes	B241	5083	A95083	H112	...	25
Aluminum alloy	Seamless pipes & tubes	B210	5083	A95083	O	...	25
Aluminum alloy	Seamless pipes & tubes	B210	5083	A95083	H112	...	25
Aluminum alloy	Seamless pipes & tubes	B345	5083	A95083	O	...	25
Aluminum alloy	Seamless pipes & tubes	B345	5083	A95083	H112	...	25
Aluminum alloy	Seamless pipes & tubes	B241	5086	A95086	O	...	25
Aluminum alloy	Seamless pipes & tubes	B241	5086	A95086	H112	...	25
Aluminum alloy	Seamless pipes & tubes	B210	5086	A95086	O	...	25
Aluminum alloy	Seamless pipes & tubes	B210	5086	A95086	H112	...	25
Aluminum alloy	Seamless pipes & tubes	B345	5086	A95086	O	...	25
Aluminum alloy	Seamless pipes & tubes	B345	5086	A95086	H112	...	25
Aluminum alloy	Seamless pipes & tubes	B210	5086	A95086	H32	...	25
Aluminum alloy	Seamless pipes & tubes	B210	5086	A95086	H34	...	25
Aluminum alloy	Seamless pipes & tubes	B210	5154	A95154	O	...	22
Aluminum alloy	Seamless pipes & tubes	B210	5154	A95154	H34	...	22
Aluminum alloy	Seamless pipes & tubes	B241	5454	A95454	O	...	22
Aluminum alloy	Seamless pipes & tubes	B241	5454	A95454	H112	...	22



**Table A-1M Basic Allowable Stresses in Tension for Metals (Metric)<sup>1</sup> (Cont'd)**  
 Numbers in Parentheses Refer to Notes for Appendix A Tables; Specifications Are ASTM Unless Otherwise Indicated

Notes	Min. Temp., °C (6)	Min. Tensile Strength, MPa	Min. Yield Strength, MPa	Max. Use Temp., °C	Basic Allowable Stress, S, MPa (1), at Metal Temperature, °C								UNS No.	Spec. No.
					40	65	100	125	150	175	200	225		
(14)(33)	-270	90	31	204	20.7	19.9	19.3	18.4	17.3	<b>13.6</b>	<b>10.9</b>	<b>10.5</b>	A83003	B210
(14)(33)	-270	90	31	204	20.7	19.9	19.3	18.4	17.3	<b>13.6</b>	<b>10.9</b>	<b>10.5</b>	A83003	B210
(14)(33)	-270	90	31	204	20.7	19.9	19.3	18.4	17.3	<b>13.6</b>	<b>10.9</b>	<b>10.5</b>	A83003	B241
(14)(33)	-270	90	31	204	20.7	19.9	19.3	18.4	17.3	<b>13.6</b>	<b>10.9</b>	<b>10.5</b>	A83003	B241
(14)(33)	-270	90	31	204	20.7	19.9	19.3	18.4	17.3	<b>13.6</b>	<b>10.9</b>	<b>10.5</b>	A83003	B345
(14)(33)	-270	90	31	204	20.7	19.9	19.3	18.4	17.3	<b>13.6</b>	<b>10.9</b>	<b>10.5</b>	A83003	B345
(14)(33)	-270	131	110	204	<i>43.7</i>	<i>43.7</i>	<i>43.7</i>	<i>41.7</i>	<b>29.0</b>	<b>21.1</b>	<b>16.7</b>	<b>16.1</b>	A83003	B210
(14)(33)	-270	179	159	204	<i>59.8</i>	<i>59.8</i>	<i>59.8</i>	<i>57.0</i>	<b>29.0</b>	<b>21.1</b>	<b>16.7</b>	<b>16.1</b>	A83003	B210
(14)	-270	172	69	204	46.0	46.0	46.0	45.9	<b>41.6</b>	<b>28.8</b>	<b>17.6</b>	<b>16.1</b>	A95052	B210
(14)	-270	172	69	204	46.0	46.0	46.0	45.9	<b>41.6</b>	<b>28.8</b>	<b>17.6</b>	<b>16.1</b>	A95052	B241
(14)(33)	-270	214	159	204	<i>71.2</i>	<i>71.2</i>	<i>71.2</i>	<i>71.0</i>	<b>41.6</b>	<b>28.8</b>	<b>17.6</b>	<b>16.1</b>	A95052	B210
(14)(33)	-270	234	179	204	<i>78.1</i>	<i>78.1</i>	<i>78.1</i>	<i>78.1</i>	<b>41.6</b>	<b>28.8</b>	<b>17.6</b>	<b>16.1</b>	A95052	B210
(33)	-270	269	110	65	73.5	73.5	...	...	...	...	...	...	A95083	B241
(33)	-270	269	110	65	73.5	73.5	...	...	...	...	...	...	A95083	B241
(33)	-270	269	110	65	73.5	73.5	...	...	...	...	...	...	A95083	B210
(33)	-270	269	110	65	73.5	73.5	...	...	...	...	...	...	A95083	B210
(33)	-270	269	110	65	73.5	73.5	...	...	...	...	...	...	A95083	B345
(33)	-270	269	110	65	73.5	73.5	...	...	...	...	...	...	A95083	B345
(33)	-270	241	97	65	64.4	64.4	...	...	...	...	...	...	A95086	B241
(33)	-270	241	97	65	64.4	64.4	...	...	...	...	...	...	A95086	B241
(33)	-270	241	97	65	64.4	64.4	...	...	...	...	...	...	A95086	B210
(33)	-270	241	97	65	64.4	64.4	...	...	...	...	...	...	A95086	B210
(33)	-270	241	97	65	64.4	64.4	...	...	...	...	...	...	A95086	B345
(33)	-270	241	97	65	64.4	64.4	...	...	...	...	...	...	A95086	B345
(33)	-270	276	193	65	<i>91.9</i>	<i>91.9</i>	...	...	...	...	...	...	A95086	B210
(33)	-270	303	234	65	<i>101.1</i>	<i>101.1</i>	...	...	...	...	...	...	A95086	B210
...	-270	207	76	65	50.6	50.6	...	...	...	...	...	...	A95154	B210
(33)	-270	269	200	65	<i>89.6</i>	<i>89.6</i>	...	...	...	...	...	...	A95154	B210
(33)	-270	214	83	204	55.2	55.2	55.2	<b>48.9</b>	<b>37.5</b>	<b>28.6</b>	<b>21.7</b>	<b>20.7</b>	A95454	B241
(33)	-270	214	83	204	55.2	55.2	55.2	<b>48.9</b>	<b>37.5</b>	<b>28.6</b>	<b>21.7</b>	<b>20.7</b>	A95454	B241

(12)

**Table A-1M Basic Allowable Stresses in Tension for Metals (Metric)<sup>1</sup> (Cont'd)**  
 Numbers in Parentheses Refer to Notes for Appendix A Tables; Specifications Are ASTM Unless Otherwise Indicated

Nominal Composition	Product Form	Spec. No.	Type/ Grade	UNS No.	Class/ Condition/ Temper	Size, mm	P-No. (5)
Aluminum alloy	Seamless pipes & tubes	B210	5456	A95456	O	...	25
Aluminum alloy	Seamless pipes & tubes	B210	5456	A95456	H112	...	25
Aluminum alloy	Seamless pipes & tubes	B241	5456	A95456	O	...	25
Aluminum alloy	Seamless pipes & tubes	B241	5456	A95456	H112	...	25
Aluminum alloy	Seamless pipes & tubes	B210	6061	A96061	T4	...	23
Aluminum alloy	Seamless pipes & tubes	B241	6061	A96061	T4	...	23
Aluminum alloy	Seamless pipes & tubes	B345	6061	A96061	T4	...	23
Aluminum alloy	Seamless pipes & tubes	B210	6061	A96061	T6	...	23
Aluminum alloy	Seamless pipes & tubes	B241	6061	A96061	T6	...	23
Aluminum alloy	Seamless pipes & tubes	B345	6061	A96061	T6	...	23
Aluminum alloy	Seamless pipes & tubes	B210	6061	A96061	T4 wld.	...	23
Aluminum alloy	Seamless pipes & tubes	B210	6061	A96061	T6 wld.	...	23
Aluminum alloy	Seamless pipes & tubes	B241	6061	A96061	T4 wld.	...	23
Aluminum alloy	Seamless pipes & tubes	B241	6061	A96061	T6 wld.	...	23
Aluminum alloy	Seamless pipes & tubes	B345	6061	A96061	T4 wld.	...	23
Aluminum alloy	Seamless pipes & tubes	B345	6061	A96061	T6 wld.	...	23
Aluminum alloy	Seamless pipes & tubes	B210	6063	A96063	T4	...	23
Aluminum alloy	Seamless pipes & tubes	B241	6063	A96063	T4	≤ 13	23
Aluminum alloy	Seamless pipes & tubes	B345	6063	A96063	T4	≤ 13	23
Aluminum alloy	Seamless pipes & tubes	B241	6063	A96063	T5	≤ 13	23
Aluminum alloy	Seamless pipes & tubes	B345	6063	A96063	T5	≤ 13	23
Aluminum alloy	Seamless pipes & tubes	B210	6063	A96063	T6	...	23
Aluminum alloy	Seamless pipes & tubes	B241	6063	A96063	T6	...	23
Aluminum alloy	Seamless pipes & tubes	B345	6063	A96063	T6	...	23

**Table A-1M Basic Allowable Stresses in Tension for Metals (Metric)<sup>1</sup> (Cont'd)**  
 Numbers in Parentheses Refer to Notes for Appendix A Tables; Specifications Are ASTM Unless Otherwise Indicated

Notes	Min. Temp., °C (6)	Min. Tensile Strength, MPa	Min. Yield Strength, MPa	Max. Use Temp., °C	Basic Allowable Stress, S, MPa (1), at Metal Temperature, °C								UNS No.	Spec. No.
					40	65	100	125	150	175	200	225		
(33)	-270	283	131	65	87.3	87.3	...	...	...	...	...	...	A95456	B210
(33)	-270	283	131	65	87.3	87.3	...	...	...	...	...	...	A95456	B210
(33)	-270	283	131	65	87.3	87.3	...	...	...	...	...	...	A95456	B241
(33)	-270	283	131	65	87.3	87.3	...	...	...	...	...	...	A95456	B241
(33)	-270	207	110	204	68.9	68.9	68.9	67.8	64.8	57.9	<b>40.2</b>	<b>35.9</b>	A96061	B210
(33)(63)	-270	179	110	204	59.8	59.8	59.8	58.9	56.3	50.2	38.3	35.9	A96061	B241
(33)(63)	-270	179	110	204	59.8	59.8	59.8	58.9	56.3	50.2	38.3	35.9	A96061	B345
(33)	-270	290	241	204	96.5	96.5	96.5	92.5	79.9	63.1	<b>40.2</b>	<b>35.9</b>	A96061	B210
(33)(63)	-270	262	241	204	87.3	87.3	87.3	83.6	72.3	57.2	<b>40.2</b>	<b>35.9</b>	A96061	B241
(33)(63)	-270	262	241	204	87.3	87.3	87.3	83.6	72.3	57.2	<b>40.2</b>	<b>35.9</b>	A96061	B345
(22)(63)	-270	165	...	204	55.2	55.2	55.2	54.3	52.0	46.3	35.3	34.8	A96061	B210
(22)(63)	-270	165	...	204	55.2	55.2	55.2	54.3	52.0	46.3	35.3	34.8	A96061	B210
(22)(63)	-270	165	...	204	55.2	55.2	55.2	54.3	52.0	46.3	35.3	34.8	A96061	B241
(22)(63)	-270	165	...	204	55.2	55.2	55.2	54.3	52.0	46.3	35.3	34.8	A96061	B241
(22)(63)	-270	165	...	204	55.2	55.2	55.2	54.3	52.0	46.3	35.3	34.8	A96061	B345
(22)(63)	-270	165	...	204	55.2	55.2	55.2	54.3	52.0	46.3	35.3	34.8	A96061	B345
(33)	-270	152	69	204	46.0	45.8	45.8	45.5	45.5	41.5	27.7	12.0	A96063	B210
(33)	-270	131	69	204	43.7	43.7	43.7	43.7	43.7	35.8	23.9	10.3	A96063	B241
(33)	-270	131	69	204	43.7	43.7	43.7	43.7	43.7	35.8	23.9	10.3	A96063	B345
(33)	-270	152	110	204	50.6	50.6	48.7	46.6	41.4	<b>27.5</b>	<b>15.3</b>	<b>13.8</b>	A96063	B241
(33)	-270	152	110	204	50.6	50.6	48.7	46.6	41.4	<b>27.5</b>	<b>15.3</b>	<b>13.8</b>	A96063	B345
(33)	-270	228	193	204	75.8	75.8	74.8	<b>64.0</b>	<b>49.2</b>	<b>27.5</b>	<b>15.3</b>	<b>13.8</b>	A96063	B210
(33)	-270	207	172	204	68.9	68.9	67.7	59.0	45.9	<b>27.5</b>	<b>15.3</b>	<b>49.3</b>	A96063	B241
(33)	-270	207	172	204	68.9	68.9	67.7	59.0	45.9	<b>27.5</b>	<b>15.3</b>	<b>49.3</b>	A96063	B345

(12)

**Table A-1M Basic Allowable Stresses in Tension for Metals (Metric)<sup>1</sup> (Cont'd)**  
 Numbers in Parentheses Refer to Notes for Appendix A Tables; Specifications Are ASTM Unless Otherwise Indicated

Nominal Composition	Product Form	Spec. No.	Type/ Grade	UNS No.	Class/ Condition/ Temper	Size, mm	P-No. (5)
Aluminum alloy	Seamless pipes & tubes	B210	6063	A96063	T4 wld.	...	23
Aluminum alloy	Seamless pipes & tubes	B210	6063	A96063	T5 wld.	...	23
Aluminum alloy	Seamless pipes & tubes	B210	6063	A96063	T6 wld.	...	23
Aluminum alloy	Seamless pipes & tubes	B241	6063	A96063	T4 wld.	...	23
Aluminum alloy	Seamless pipes & tubes	B241	6063	A96063	T5 wld.	...	23
Aluminum alloy	Seamless pipes & tubes	B241	6063	A96063	T6 wld.	...	23
Aluminum alloy	Seamless pipes & tubes	B345	6063	A96063	T4 wld.	...	23
Aluminum alloy	Seamless pipes & tubes	B345	6063	A96063	T5 wld.	...	23
Aluminum alloy	Seamless pipes & tubes	B345	6063	A96063	T6 wld.	...	23
Aluminum alloy	Welded pipes & tubes	B547	5083	A95083	O	...	25
Aluminum alloy	Structural tubes	B221	1060	A91060	O	...	21
Aluminum alloy	Structural tubes	B221	1060	A91060	H112	...	21
Aluminum alloy	Structural tubes	B221	1100	A91100	O	...	21
Aluminum alloy	Structural tubes	B221	1100	A91100	H112	...	21
Aluminum alloy	Structural tubes	B221	3003	A93003	O	...	21
Aluminum alloy	Structural tubes	B221	3003	A93003	H112	...	21
Aluminum alloy	Structural tubes	B221	Alclad 3003	A83003	O	...	21
Aluminum alloy	Structural tubes	B221	Alclad 3003	A83003	H112	...	21
Aluminum alloy	Structural tubes	B221	5052	A95052	O	...	22
Aluminum alloy	Structural tubes	B221	5083	A95083	O	...	25
Aluminum alloy	Structural tubes	B221	5086	A95086	O	...	25
Aluminum alloy	Structural tubes	B221	5154	A95154	O	...	22
Aluminum alloy	Structural tubes	B221	5454	A95454	O	...	22
Aluminum alloy	Structural tubes	B221	5456	A95456	O	...	25
Aluminum alloy	Structural tubes	B221	6061	A96061	T4	...	23
Aluminum alloy	Structural tubes	B221	6061	A96061	T6	...	23
Aluminum alloy	Structural tubes	B221	6061	A96061	T4 wld.	...	23
Aluminum alloy	Structural tubes	B221	6061	A96061	T6 wld.	...	23

**Table A-1M Basic Allowable Stresses in Tension for Metals (Metric)<sup>1</sup> (Cont'd)**  
 Numbers in Parentheses Refer to Notes for Appendix A Tables; Specifications Are ASTM Unless Otherwise Indicated

Notes	Min. Temp., °C (6)	Min. Tensile Strength, MPa	Min. Yield Strength, MPa	Max. Use Temp., °C	Basic Allowable Stress, S, MPa (1), at Metal Temperature, °C								UNS No.	Spec. No.
					40	65	100	125	150	175	200	225		
					...	-270	117	...	204	39.1	39.1	37.9		
...	-270	117	...	204	39.1	39.1	37.9	35.9	32.1	25.7	17.6	13.8	A96063	B210
...	-270	117	...	204	39.1	39.1	37.9	35.9	32.1	25.7	17.6	13.8	A96063	B210
...	-270	117	...	204	39.1	39.1	37.9	35.9	32.1	25.7	17.6	13.8	A96063	B241
...	-270	117	...	204	39.1	39.1	37.9	35.9	32.1	25.7	17.6	13.8	A96063	B241
...	-270	117	...	204	39.1	39.1	37.9	35.9	32.1	25.7	17.6	13.8	A96063	B241
...	-270	117	...	204	39.1	39.1	37.9	35.9	32.1	25.7	17.6	13.8	A96063	B345
...	-270	117	...	204	39.1	39.1	37.9	35.9	32.1	25.7	17.6	13.8	A96063	B345
...	-270	117	...	204	39.1	39.1	37.9	35.9	32.1	25.7	17.6	13.8	A96063	B345
...	-270	276	124	65	82.7	82.7	...	...	...	...	...	...	A95083	B547
(33)(69)	-270	59	17	204	11.5	11.5	10.9	9.8	8.8	<b>7.5</b>	<b>5.8</b>	<b>5.5</b>	A91060	B221
(33)(69)	-270	59	17	204	11.5	11.5	10.9	9.8	8.8	<b>7.5</b>	<b>5.8</b>	<b>5.5</b>	A91060	B221
(33)(69)	-270	76	21	204	13.8	13.8	13.7	13.2	<b>11.8</b>	<b>9.3</b>	<b>7.2</b>	<b>6.9</b>	A91100	B221
(33)(69)	-270	76	21	204	13.8	13.8	13.7	13.2	<b>11.8</b>	<b>9.3</b>	<b>7.2</b>	<b>6.9</b>	A91100	B221
(33)(69)	-270	97	34	204	23.0	22.1	21.4	20.5	<b>18.2</b>	<b>13.6</b>	<b>10.9</b>	<b>10.5</b>	A93003	B221
(33)(69)	-270	97	34	204	23.0	22.1	21.4	20.5	<b>18.2</b>	<b>13.6</b>	<b>10.9</b>	<b>10.5</b>	A93003	B221
(33)(69)	-270	90	31	204	20.7	19.9	19.3	18.4	17.3	<b>13.6</b>	<b>10.9</b>	<b>10.5</b>	A83003	B221
(33)(69)	-270	90	31	204	20.7	19.9	19.3	18.4	17.3	<b>13.6</b>	<b>10.9</b>	<b>10.5</b>	A83003	B221
(69)	-270	172	69	204	46.0	46.0	46.0	45.9	<b>41.6</b>	<b>28.8</b>	<b>17.6</b>	<b>16.1</b>	A95052	B221
(69)	-270	269	110	65	73.5	73.5	...	...	...	...	...	...	A95083	B221
(69)	-270	241	97	65	64.4	64.4	...	...	...	...	...	...	A95086	B221
(69)	-270	207	76	65	50.6	50.6	...	...	...	...	...	...	A95154	B221
(69)	-270	214	83	204	55.2	55.2	55.2	<b>48.9</b>	<b>37.5</b>	<b>28.6</b>	<b>21.7</b>	<b>20.7</b>	A95454	B221
(69)	-270	283	131	65	87.3	87.3	...	...	...	...	...	...	A95456	B221
(33)(63)(69)	-270	179	110	204	59.8	59.8	59.8	58.9	56.3	50.2	38.3	35.9	A96061	B221
(33)(63)(69)	-270	262	241	204	87.3	87.3	87.3	83.6	72.3	57.2	<b>40.2</b>	<b>35.9</b>	A96061	B221
(22)(63)(69)	-270	165	...	204	55.2	55.2	55.2	54.3	52.0	46.3	35.3	34.8	A96061	B221
(22)(63)(69)	-270	165	...	204	55.2	55.2	55.2	54.3	52.0	46.3	35.3	34.8	A96061	B221

(12)

**Table A-1M Basic Allowable Stresses in Tension for Metals (Metric)<sup>1</sup> (Cont'd)**  
 Numbers in Parentheses Refer to Notes for Appendix A Tables; Specifications Are ASTM Unless Otherwise Indicated

Nominal Composition	Product Form	Spec. No.	Type/ Grade	UNS No.	Class/ Condition/ Temper	Size, mm	P-No. (5)
Aluminum alloy	Structural tubes	B221	6063	A96063	T4	≤ 13	23
Aluminum alloy	Structural tubes	B221	6063	A96063	T5	≤ 13	23
Aluminum alloy	Structural tubes	B221	6063	A96063	T6	...	23
Aluminum alloy	Structural tubes	B221	6063	A96063	T4 wld.	...	23
Aluminum alloy	Structural tubes	B221	6063	A96063	T5 wld.	...	23
Aluminum alloy	Structural tubes	B221	6063	A96063	T6 wld.	...	23
Aluminum alloy	Plates & sheets	B209	1060	A91060	O	...	21
Aluminum alloy	Plates & sheets	B209	1060	A91060	H112	≥ 13, ≤ 25	21
Aluminum alloy	Plates & sheets	B209	1060	A91060	H12	...	21
Aluminum alloy	Plates & sheets	B209	1060	A91060	H14	...	21
Aluminum alloy	Plates & sheets	B209	1100	A91100	O	...	21
Aluminum alloy	Plates & sheets	B209	1100	A91100	H112	≥ 13, ≤ 50	21
Aluminum alloy	Plates & sheets	B209	1100	A91100	H12	...	21
Aluminum alloy	Plates & sheets	B209	1100	A91100	H14	...	21
Aluminum alloy	Plates & sheets	B209	3003	A93003	O	...	21
Aluminum alloy	Plates & sheets	B209	3003	A93003	H112	≥ 13, ≤ 50	21
Aluminum alloy	Plates & sheets	B209	3003	A93003	H12	...	21
Aluminum alloy	Plates & sheets	B209	3003	A93003	H14	...	21
Aluminum alloy	Plates & sheets	B209	Alclad 3003	A83003	O	≥ 0.15, < 13	21
Aluminum alloy	Plates & sheets	B209	Alclad 3003	A83003	O	≥ 13, ≤ 75	21
Aluminum alloy	Plates & sheets	B209	Alclad 3003	A83003	H112	≥ 13, ≤ 50	21
Aluminum alloy	Plates & sheets	B209	Alclad 3003	A83003	H12	≥ 0.43, < 13	21
Aluminum alloy	Plates & sheets	B209	Alclad 3003	A83003	H12	≥ 13, ≤ 50	21
Aluminum alloy	Plates & sheets	B209	Alclad 3003	A83003	H14	≥ 0.23, < 13	21
Aluminum alloy	Plates & sheets	B209	Alclad 3003	A83003	H14	≥ 13, ≤ 25	21
Aluminum alloy	Plates & sheets	B209	3004	A93004	O	...	22
Aluminum alloy	Plates & sheets	B209	3004	A93004	H112	...	22
Aluminum alloy	Plates & sheets	B209	3004	A93004	H32	...	22
Aluminum alloy	Plates & sheets	B209	3004	A93004	H34	...	22

**Table A-1M Basic Allowable Stresses in Tension for Metals (Metric)<sup>1</sup> (Cont'd)**  
 Numbers in Parentheses Refer to Notes for Appendix A Tables; Specifications Are ASTM Unless Otherwise Indicated

Notes	Min. Temp., °C (6)	Min. Tensile Strength, MPa	Min. Yield Strength, MPa	Max. Use Temp., °C	Basic Allowable Stress, S, MPa (1), at Metal Temperature, °C									UNS No.	Spec. No.
					40	65	100	125	150	175	200	225			
(13)(33)(69)	-270	131	69	204	43.7	43.7	43.7	43.7	43.7	35.8	23.9	10.3	A96063	B221	
(13)(33)(69)	-270	152	110	204	50.6	50.6	48.7	46.6	41.4	<b>27.5</b>	<b>15.3</b>	<b>13.8</b>	A96063	B221	
(33)(69)	-270	207	172	204	68.9	68.9	67.7	59.0	45.9	<b>27.5</b>	<b>15.3</b>	<b>49.3</b>	A96063	B221	
(69)	-270	117	...	204	39.1	39.1	37.9	35.9	32.1	25.7	17.6	13.8	A96063	B221	
(69)	-270	117	...	204	39.1	39.1	37.9	35.9	32.1	25.7	17.6	13.8	A96063	B221	
(69)	-270	117	...	204	39.1	39.1	37.9	35.9	32.1	25.7	17.6	13.8	A96063	B221	
...	-270	55	17	204	11.5	11.5	10.9	9.8	8.8	<b>7.5</b>	<b>5.8</b>	<b>5.5</b>	A91060	B209	
(13)(33)	-270	69	34	204	23.0	21.8	19.1	17.0	15.0	<b>11.8</b>	<b>7.5</b>	<b>5.9</b>	A91060	B209	
(33)	-270	76	62	204	25.3	25.3	23.1	21.0	<b>18.1</b>	<b>12.7</b>	<b>8.4</b>	<b>7.8</b>	A91060	B209	
(33)	-270	83	69	204	27.6	27.6	27.6	26.6	<b>18.1</b>	<b>12.7</b>	<b>8.4</b>	<b>7.8</b>	A91060	B209	
...	-270	76	24	204	16.1	16.1	16.0	15.6	<b>11.8</b>	<b>9.3</b>	<b>7.2</b>	<b>6.9</b>	A91100	B209	
(13)(33)	-270	83	34	204	23.0	23.0	22.7	<b>21.6</b>	<b>16.3</b>	<b>11.8</b>	<b>7.5</b>	<b>6.9</b>	A91100	B209	
(33)	-270	97	76	204	32.2	32.2	31.3	<b>25.2</b>	<b>19.0</b>	<b>13.6</b>	<b>8.5</b>	<b>7.8</b>	A91100	B209	
(33)	-270	110	97	204	36.8	36.8	36.1	33.1	<b>19.0</b>	<b>13.6</b>	<b>8.5</b>	<b>7.8</b>	A91100	B209	
...	-270	97	34	204	23.0	22.1	21.4	20.5	<b>18.2</b>	<b>13.6</b>	<b>10.9</b>	<b>10.5</b>	A93003	B209	
(13)(33)	-270	103	41	204	27.6	26.6	25.6	24.4	<b>18.2</b>	<b>13.6</b>	<b>10.9</b>	<b>10.5</b>	A93003	B209	
(33)	-270	117	83	204	39.1	39.1	38.1	35.8	<b>29.0</b>	<b>21.1</b>	<b>16.7</b>	<b>16.1</b>	A93003	B209	
(33)	-270	138	117	204	46.0	46.0	46.0	43.9	<b>29.0</b>	<b>21.1</b>	<b>16.7</b>	<b>16.1</b>	A93003	B209	
(66)	-270	90	31	204	20.7	19.9	19.3	18.4	17.3	<b>13.6</b>	<b>10.9</b>	<b>10.5</b>	A83003	B209	
(68)	-270	97	34	204	23.0	22.2	21.3	20.4	<b>18.2</b>	<b>13.6</b>	<b>10.9</b>	<b>10.5</b>	A83003	B209	
(33)(66)	-270	103	41	204	27.6	26.6	25.6	24.4	<b>18.2</b>	<b>13.6</b>	<b>10.9</b>	<b>10.5</b>	A83003	B209	
(33)(66)	-270	110	76	204	36.8	36.8	35.9	33.7	<b>29.0</b>	<b>21.1</b>	<b>16.7</b>	<b>16.1</b>	A83003	B209	
(33)(68)	-270	117	83	204	39.1	39.1	39.1	39.1	<b>29.0</b>	<b>21.1</b>	<b>16.7</b>	<b>16.1</b>	A83003	B209	
(33)(66)	-270	131	110	204	43.7	43.7	43.7	41.7	<b>29.0</b>	<b>21.1</b>	<b>16.7</b>	<b>16.1</b>	A83003	B209	
(33)(68)	-270	138	117	204	46.0	46.0	46.0	43.9	<b>29.0</b>	<b>21.1</b>	<b>16.7</b>	<b>16.1</b>	A83003	B209	
...	-270	152	59	204	39.1	39.1	39.1	39.0	<b>38.9</b>	<b>26.9</b>	<b>17.4</b>	<b>16.1</b>	A93004	B209	
(33)	-270	159	62	204	41.4	41.4	41.4	41.4	<b>38.9</b>	<b>26.9</b>	<b>17.4</b>	<b>16.1</b>	A93004	B209	
(33)	-270	193	145	204	64.4	64.4	64.4	<b>60.4</b>	<b>38.9</b>	<b>26.9</b>	<b>17.4</b>	<b>16.1</b>	A93004	B209	
(33)	-270	221	172	204	73.5	73.5	73.5	73.5	<b>38.9</b>	<b>26.9</b>	<b>17.4</b>	<b>16.1</b>	A93004	B209	

(12)

**Table A-1M Basic Allowable Stresses in Tension for Metals (Metric)<sup>1</sup> (Cont'd)**  
 Numbers in Parentheses Refer to Notes for Appendix A Tables; Specifications Are ASTM Unless Otherwise Indicated

Nominal Composition	Product Form	Spec. No.	Type/ Grade	UNS No.	Class/ Condition/ Temper	Size, mm	P-No. (5)
Aluminum alloy	Plates & sheets	B209	Alclad 3004	A83004	O	$\geq 0.15, < 13$	22
Aluminum alloy	Plates & sheets	B209	Alclad 3004	A83004	O	$\geq 13, \leq 75$	22
Aluminum alloy	Plates & sheets	B209	Alclad 3004	A83004	H112	$\geq 6, < 13$	22
Aluminum alloy	Plates & sheets	B209	Alclad 3004	A83004	H112	$\geq 13, \leq 75$	22
Aluminum alloy	Plates & sheets	B209	Alclad 3004	A83004	H32	$\geq 0.43, < 13$	22
Aluminum alloy	Plates & sheets	B209	Alclad 3004	A83004	H32	$\geq 13, \leq 50$	22
Aluminum alloy	Plates & sheets	B209	Alclad 3004	A83004	H34	$\geq 0.23, < 13$	22
Aluminum alloy	Plates & sheets	B209	Alclad 3004	A83004	H34	$\geq 13, \leq 25$	22
Aluminum alloy	Plates & sheets	B209	5050	A95050	O	...	21
Aluminum alloy	Plates & sheets	B209	5050	A95050	H112	...	21
Aluminum alloy	Plates & sheets	B209	5050	A95050	H32	...	21
Aluminum alloy	Plates & sheets	B209	5050	A95050	H34	...	21
Aluminum alloy	Plates & sheets	B209	5052	A95052	O	...	22
Aluminum alloy	Plates & sheets	B209	5652	A95652	O	...	22
Aluminum alloy	Plates & sheets	B209	5052	A95052	H112	$\geq 13, \leq 75$	22
Aluminum alloy	Plates & sheets	B209	5652	A95652	H112	$\geq 13, \leq 75$	22
Aluminum alloy	Plates & sheets	B209	5052	A95052	H32	...	22
Aluminum alloy	Plates & sheets	B209	5652	A95652	H32	...	22
Aluminum alloy	Plates & sheets	B209	5052	A95052	H34	...	22
Aluminum alloy	Plates & sheets	B209	5652	A95652	H34	...	22
Aluminum alloy	Plates & sheets	B209	5083	A95083	O	$\geq 1.3, \leq 38$	25
Aluminum alloy	Plates & sheets	B209	5083	A95083	H32	$\geq 5, \leq 38$	25
Aluminum alloy	Plates & sheets	B209	5086	A95086	O	...	25
Aluminum alloy	Plates & sheets	B209	5086	A95086	H112	$\geq 13, \leq 25$	25
Aluminum alloy	Plates & sheets	B209	5086	A95086	H32	...	25
Aluminum alloy	Plates & sheets	B209	5086	A95086	H34	...	25



**Table A-1M Basic Allowable Stresses in Tension for Metals (Metric)<sup>1</sup> (Cont'd)**  
 Numbers in Parentheses Refer to Notes for Appendix A Tables; Specifications Are ASTM Unless Otherwise Indicated

Notes	Min. Temp., °C (6)	Min. Tensile Strength, MPa	Min. Yield Strength, MPa	Max. Use Temp., °C	Basic Allowable Stress, S, MPa (1), at Metal Temperature, °C								UNS No.	Spec. No.
					40	65	100	125	150	175	200	225		
(66)	-270	145	55	204	36.8	36.8	36.8	36.8	36.8	<b>26.9</b>	<b>17.4</b>	<b>16.1</b>	A83004	B209
(68)	-270	152	59	204	39.1	39.1	39.1	39.1	<b>38.9</b>	<b>26.9</b>	<b>17.4</b>	<b>16.1</b>	A83004	B209
(33)(66)	-270	152	59	204	39.1	39.1	39.1	39.1	<b>38.9</b>	<b>26.9</b>	<b>17.4</b>	<b>16.1</b>	A83004	B209
(33)(68)	-270	159	62	204	41.4	41.4	41.4	41.4	<b>38.9</b>	<b>26.9</b>	<b>17.4</b>	<b>16.1</b>	A83004	B209
(33)(66)	-270	186	138	204	<i>62.1</i>	<i>62.1</i>	<i>62.1</i>	<b>60.4</b>	<b>38.9</b>	<b>26.9</b>	<b>17.4</b>	<b>16.1</b>	A83004	B209
(33)(68)	-270	193	145	204	<i>64.4</i>	<i>64.4</i>	<i>64.4</i>	<b>60.4</b>	<b>38.9</b>	<b>26.9</b>	<b>17.4</b>	<b>16.1</b>	A83004	B209
(33)(66)	-270	214	165	204	<i>71.2</i>	<i>71.2</i>	<i>71.2</i>	<i>71.2</i>	<b>38.9</b>	<b>26.9</b>	<b>17.4</b>	<b>16.1</b>	A83004	B209
(33)(68)	-270	221	172	204	<i>73.5</i>	<i>73.5</i>	<i>73.5</i>	<i>73.5</i>	<b>38.9</b>	<b>26.9</b>	<b>17.4</b>	<b>16.1</b>	A83004	B209
...	-270	124	41	204	27.6	27.6	27.5	27.5	27.5	<b>20.1</b>	<b>10.8</b>	<b>9.7</b>	A95050	B209
(33)	-270	138	55	204	36.8	36.7	36.7	36.6	<b>35.8</b>	<b>20.1</b>	<b>10.8</b>	<b>9.7</b>	A95050	B209
(33)	-270	152	110	204	<i>50.6</i>	<i>50.6</i>	<i>50.6</i>	<i>50.6</i>	<b>35.8</b>	<b>20.1</b>	<b>10.8</b>	<b>9.7</b>	A95050	B209
(33)	-270	172	138	204	<i>57.5</i>	<i>57.5</i>	<i>57.5</i>	<i>57.5</i>	<b>35.8</b>	<b>20.1</b>	<b>10.8</b>	<b>9.7</b>	A95050	B209
...	-270	172	65	204	43.7	43.7	43.7	43.6	<b>41.6</b>	<b>28.8</b>	<b>17.6</b>	<b>16.1</b>	A95052	B209
...	-270	172	65	204	43.7	43.7	43.7	43.6	<b>41.6</b>	<b>28.8</b>	<b>17.6</b>	<b>16.1</b>	A95652	B209
(13)(33)	-270	172	65	204	43.7	43.7	43.7	43.6	<b>41.6</b>	<b>28.8</b>	<b>17.6</b>	<b>16.1</b>	A95052	B209
(13)(33)	-270	172	65	204	43.7	43.7	43.7	43.6	<b>41.6</b>	<b>28.8</b>	<b>17.6</b>	<b>16.1</b>	A95652	B209
(33)	-270	214	159	204	<i>71.2</i>	<i>71.2</i>	<i>71.2</i>	<i>71.0</i>	<b>41.6</b>	<b>28.8</b>	<b>17.6</b>	<b>16.1</b>	A95052	B209
(33)	-270	214	159	204	<i>71.2</i>	<i>71.2</i>	<i>71.2</i>	<i>71.0</i>	<b>41.6</b>	<b>28.8</b>	<b>17.6</b>	<b>16.1</b>	A95652	B209
(33)	-270	234	179	204	<i>78.1</i>	<i>78.1</i>	<i>78.1</i>	<i>78.1</i>	<b>41.6</b>	<b>28.8</b>	<b>17.6</b>	<b>16.1</b>	A95052	B209
(33)	-270	234	179	204	<i>78.1</i>	<i>78.1</i>	<i>78.1</i>	<i>78.1</i>	<b>41.6</b>	<b>28.8</b>	<b>17.6</b>	<b>16.1</b>	A95652	B209
(13)	-270	276	124	65	82.7	82.7	...	...	...	...	...	...	A95083	B209
(13)(33)	-270	303	214	65	<i>101.1</i>	<i>101.1</i>	...	...	...	...	...	...	A95083	B209
...	-270	241	97	65	64.4	64.4	...	...	...	...	...	...	A95086	B209
(13)(33)	-270	241	110	65	73.5	73.5	...	...	...	...	...	...	A95086	B209
(33)	-270	276	193	65	<i>91.9</i>	<i>91.9</i>	...	...	...	...	...	...	A95086	B209
(33)	-270	303	234	65	<i>101.1</i>	<i>101.1</i>	...	...	...	...	...	...	A95086	B209

(12)

**Table A-1M Basic Allowable Stresses in Tension for Metals (Metric)<sup>1</sup> (Cont'd)**  
 Numbers in Parentheses Refer to Notes for Appendix A Tables; Specifications Are ASTM Unless Otherwise Indicated

Nominal Composition	Product Form	Spec. No.	Type/ Grade	UNS No.	Class/ Condition/ Temper	Size, mm	P-No. (5)
Aluminum alloy	Plates & sheets	B209	5154	A95154	O	...	22
Aluminum alloy	Plates & sheets	B209	5254	A95254	O	...	22
Aluminum alloy	Plates & sheets	B209	5154	A95154	H112	≥ 13, ≤ 75	22
Aluminum alloy	Plates & sheets	B209	5254	A95254	H112	≥ 13, ≤ 75	22
Aluminum alloy	Plates & sheets	B209	5154	A95154	H32	...	22
Aluminum alloy	Plates & sheets	B209	5254	A95254	H32	...	22
Aluminum alloy	Plates & sheets	B209	5154	A95154	H34	...	22
Aluminum alloy	Plates & sheets	B209	5254	A95254	H34	...	22
Aluminum alloy	Plates & sheets	B209	5454	A95454	O	...	22
Aluminum alloy	Plates & sheets	B209	5454	A95454	H112	≥ 13, ≤ 75	22
Aluminum alloy	Plates & sheets	B209	5454	A95454	H32	...	22
Aluminum alloy	Plates & sheets	B209	5454	A95454	H34	...	22
Aluminum alloy	Plates & sheets	B209	5456	A95456	O	≥ 1.3, ≤ 38	25
Aluminum alloy	Plates & sheets	B209	5456	A95456	H32	≥ 5, < 13	25
Aluminum alloy	Plates & sheets	B209	6061	A96061	T4	...	23
Aluminum alloy	Plates & sheets	B209	6061	A96061	T6	...	23
Aluminum alloy	Plates & sheets	B209	6061	A96061	T651	≥ 6, ≤ 100	23
Aluminum alloy	Plates & sheets	B209	6061	A96061	T4 wld.	...	23
Aluminum alloy	Plates & sheets	B209	6061	A96061	T6 wld.	...	23
Aluminum alloy	Plates & sheets	B209	Alclad 6061	A86061	T4	...	23
Aluminum alloy	Plates & sheets	B209	Alclad 6061	A86061	T451	≥ 6, < 13	23
Aluminum alloy	Plates & sheets	B209	Alclad 6061	A86061	T451	≥ 13, ≤ 75	23
Aluminum alloy	Plates & sheets	B209	Alclad 6061	A86061	T6	...	23
Aluminum alloy	Plates & sheets	B209	Alclad 6061	A86061	T651	≥ 6, < 13	23
Aluminum alloy	Plates & sheets	B209	Alclad 6061	A86061	T651	≥ 13, ≤ 100	23
Aluminum alloy	Plates & sheets	B209	Alclad 6061	A86061	T4 wld.	...	23
Aluminum alloy	Plates & sheets	B209	Alclad 6061	A86061	T6 wld.	...	23

**Table A-1M Basic Allowable Stresses in Tension for Metals (Metric)<sup>1</sup> (Cont'd)**  
 Numbers in Parentheses Refer to Notes for Appendix A Tables; Specifications Are ASTM Unless Otherwise Indicated

Notes	Min. Temp., °C (6)	Min. Tensile Strength, MPa	Min. Yield Strength, MPa	Max. Use Temp., °C	Basic Allowable Stress, S, MPa (1), at Metal Temperature, °C								UNS No.	Spec. No.
					40	65	100	125	150	175	200	225		
...	-270	207	76	65	50.6	50.4	...	...	...	...	...	...	A95154	B209
...	-270	207	76	65	50.6	50.4	...	...	...	...	...	...	A95254	B209
(13)(33)	-270	207	76	65	50.6	50.4	...	...	...	...	...	...	A95154	B209
(13)(33)	-270	207	76	65	50.6	50.4	...	...	...	...	...	...	A95254	B209
(33)	-270	248	179	65	82.7	82.7	...	...	...	...	...	...	A95154	B209
(33)	-270	248	179	65	82.7	82.7	...	...	...	...	...	...	A95254	B209
(33)	-270	269	200	65	89.6	89.6	...	...	...	...	...	...	A95154	B209
(33)	-270	269	200	65	89.6	89.6	...	...	...	...	...	...	A95254	B209
...	-270	214	83	204	55.2	55.2	55.2	<b>48.9</b>	<b>37.5</b>	<b>28.6</b>	<b>21.7</b>	<b>20.7</b>	A95454	B209
(13)(33)	-270	214	83	204	55.2	55.2	55.2	<b>48.9</b>	<b>37.5</b>	<b>28.6</b>	<b>21.7</b>	<b>20.7</b>	A95454	B209
(33)	-270	248	179	204	82.7	82.7	82.7	<b>49.5</b>	<b>37.5</b>	<b>28.6</b>	<b>21.7</b>	<b>20.7</b>	A95454	B209
(33)	-270	269	200	204	89.6	89.6	89.6	<b>49.5</b>	<b>37.5</b>	<b>28.6</b>	<b>21.7</b>	<b>20.7</b>	A95454	B209
(13)	-270	290	131	65	87.3	87.3	...	...	...	...	...	...	A95456	B209
(13)(33)	-270	317	228	65	105.7	105.7	...	...	...	...	...	...	A95456	B209
(33)(63)	-270	207	110	204	68.9	68.9	68.9	67.8	64.8	57.9	<b>40.2</b>	<b>35.9</b>	A96061	B209
(33)	-270	290	241	204	96.5	96.5	96.5	92.5	79.9	63.1	<b>40.2</b>	<b>35.9</b>	A96061	B209
(13)(33)	-270	290	241	204	96.5	96.5	96.5	92.5	79.9	63.1	<b>40.2</b>	<b>35.9</b>	A96061	B209
(22)(63)	-270	165	...	204	55.2	55.2	55.2	54.3	52.0	46.3	35.3	34.8	A96061	B209
(22)(63)	-270	165	...	204	55.2	55.2	55.2	54.3	52.0	46.3	35.3	34.8	A96061	B209
(33)(66)	-270	186	97	204	62.1	62.1	62.1	61.0	58.3	52.1	39.7	35.9	A86061	B209
(33)(66)	-270	186	97	204	62.1	62.1	62.1	61.0	58.3	52.1	39.7	35.9	A86061	B209
(33)(68)	-270	207	110	204	68.9	68.9	68.9	67.8	64.8	57.9	<b>40.2</b>	<b>35.9</b>	A86061	B209
(33)(66)	-270	262	221	204	87.3	87.3	87.3	83.8	72.3	57.2	<b>40.2</b>	<b>35.9</b>	A86061	B209
(33)(66)	-270	262	221	204	87.3	87.3	87.3	83.8	72.3	57.2	<b>40.2</b>	<b>35.9</b>	A86061	B209
(33)(68)	-270	290	241	204	96.5	96.5	96.5	92.5	79.9	63.1	<b>40.2</b>	<b>35.9</b>	A86061	B209
(22)(63)	-270	165	...	204	55.2	55.2	55.2	54.3	52.0	46.3	35.3	34.8	A86061	B209
(22)(63)	-270	165	...	204	55.2	55.2	55.2	54.3	52.0	46.3	35.3	34.8	A86061	B209

(12)

**Table A-1M Basic Allowable Stresses in Tension for Metals (Metric)<sup>1</sup> (Cont'd)**  
 Numbers in Parentheses Refer to Notes for Appendix A Tables; Specifications Are ASTM Unless Otherwise Indicated

Nominal Composition	Product Form	Spec. No.	Type/ Grade	UNS No.	Class/ Condition/ Temper	Size, mm	P-No. (5)
Aluminum alloy	Forgings & fittings	B247	3003	A93003	H112	...	21
Aluminum alloy	Forgings & fittings	B247	3003	A93003	H112 wld.	...	21
Aluminum alloy	Forgings & fittings	B247	5083	A95083	O	...	25
Aluminum alloy	Forgings & fittings	B247	5083	A95083	H112	...	25
Aluminum alloy	Forgings & fittings	B247	5083	A95083	H112 wld.	...	25
Aluminum alloy	Forgings & fittings	B247	6061	A96061	T6	...	23
Aluminum alloy	Forgings & fittings	B247	6061	A96061	T6 wld.	...	23
Aluminum alloy	Forgings & fittings	B361	WP1060	A91060	O	...	21
Aluminum alloy	Forgings & fittings	B361	WP1060	A91060	H112	...	21
Aluminum alloy	Forgings & fittings	B361	WP1100	A91100	O	...	21
Aluminum alloy	Forgings & fittings	B361	WP1100	A91100	H112	...	21
Aluminum alloy	Forgings & fittings	B361	WP3003	A93003	O	...	21
Aluminum alloy	Forgings & fittings	B361	WP3003	A93003	H112	...	21
Aluminum alloy	Forgings & fittings	B361	WP Alclad 3003	A83003	O	...	21
Aluminum alloy	Forgings & fittings	B361	WP Alclad 3003	A83003	H112	...	21
Aluminum alloy	Forgings & fittings	B361	WP5083	A95083	O	...	25
Aluminum alloy	Forgings & fittings	B361	WP5083	A95083	H112	...	25
Aluminum alloy	Forgings & fittings	B361	WP5154	A95154	O	...	22
Aluminum alloy	Forgings & fittings	B361	WP5154	A95154	H112	...	22
Aluminum alloy	Forgings & fittings	B361	WP6061	A96061	T4	...	23

**Table A-1M Basic Allowable Stresses in Tension for Metals (Metric)<sup>1</sup> (Cont'd)**  
 Numbers in Parentheses Refer to Notes for Appendix A Tables; Specifications Are ASTM Unless Otherwise Indicated

Notes	Min. Temp., °C (6)	Min. Tensile Strength, MPa	Min. Yield Strength, MPa	Max. Use Temp., °C	Basic Allowable Stress, S, MPa (1), at Metal Temperature, °C								UNS No.	Spec. No.
					40	65	100	125	150	175	200	225		
(2)(9)(45)	-270	97	34	204	23.0	22.1	21.4	20.5	<b>18.2</b>	<b>13.6</b>	<b>10.9</b>	<b>10.5</b>	A93003	B247
(2)(9)(45)	-270	97	34	204	23.0	22.1	21.4	20.5	<b>18.2</b>	<b>13.6</b>	<b>10.9</b>	<b>10.5</b>	A93003	B247
(2)(9)(32)(33)	-270	268	110	65	73.5	73.5	...	...	...	...	...	...	A95083	B247
(2)(9)(32)(33)	-270	268	110	65	73.5	73.5	...	...	...	...	...	...	A95083	B247
(2)(9)(32)(33)	-270	268	110	65	73.5	73.5	...	...	...	...	...	...	A95083	B247
(2)(9)(33)	-270	262	241	204	<i>87.3</i>	<i>87.3</i>	<i>87.3</i>	<i>83.6</i>	<i>72.3</i>	<i>57.2</i>	<b>40.2</b>	<b>35.9</b>	A96061	B247
(2)(9)(22)	-270	165	...	204	<i>55.2</i>	<i>55.2</i>	<i>55.2</i>	<i>54.3</i>	<i>52.0</i>	<i>46.3</i>	<i>35.3</i>	<i>34.8</i>	A96061	B247
(2)(13)(14)(23) (32)(33)	-270	55	17	204	11.5	11.5	10.9	9.8	8.8	<b>7.5</b>	<b>5.8</b>	<b>5.5</b>	A91060	B361
(2)(13)(14)(23) (32)(33)	-270	55	17	204	11.5	11.5	10.9	9.8	8.8	<b>7.5</b>	<b>5.8</b>	<b>5.5</b>	A91060	B361
(2)(13)(14)(23) (32)(33)	-270	76	21	204	13.8	13.8	13.7	13.2	<b>11.8</b>	<b>9.3</b>	<b>7.2</b>	<b>6.9</b>	A91100	B361
(2)(13)(14)(23) (32)(33)	-270	76	21	204	13.8	13.8	13.7	13.2	<b>11.8</b>	<b>9.3</b>	<b>7.2</b>	<b>6.9</b>	A91100	B361
(2)(13)(14)(23) (32)(33)	-270	97	34	204	23.0	22.1	21.4	20.5	<b>18.2</b>	<b>13.6</b>	<b>10.9</b>	<b>10.5</b>	A93003	B361
(2)(13)(14)(23) (32)(33)	-270	97	34	204	23.0	22.1	21.4	20.5	<b>18.2</b>	<b>13.6</b>	<b>10.9</b>	<b>10.5</b>	A93003	B361
(2)(13)(14)(23) (32)(33)(66)	-270	90	31	204	20.7	19.9	19.3	18.4	17.3	<b>13.6</b>	<b>10.9</b>	<b>10.5</b>	A83003	B361
(2)(13)(14)(23) (32)(33)(66)	-270	90	31	204	20.7	19.9	19.3	18.4	17.3	<b>13.6</b>	<b>10.9</b>	<b>10.5</b>	A83003	B361
(2)(13)(23)(32) (33)	-270	269	110	65	73.5	73.5	...	...	...	...	...	...	A95083	B361
(2)(13)(23)(32) (33)	-270	269	110	65	73.5	73.5	...	...	...	...	...	...	A95083	B361
(2)(23)(32)(33)	-270	207	76	65	50.6	50.6	...	...	...	...	...	...	A95154	B361
(2)(23)(32)(33)	-270	207	76	65	50.6	50.6	...	...	...	...	...	...	A95154	B361
(2)(13)(23)(32) (33)(63)	-270	179	110	204	<i>59.8</i>	<i>59.8</i>	<i>59.8</i>	<i>58.9</i>	<i>56.3</i>	<i>50.2</i>	<i>38.3</i>	<i>35.9</i>	A96061	B361

(12)

**Table A-1M Basic Allowable Stresses in Tension for Metals (Metric)<sup>1</sup> (Cont'd)**  
 Numbers in Parentheses Refer to Notes for Appendix A Tables; Specifications Are ASTM Unless Otherwise Indicated

Nominal Composition	Product Form	Spec. No.	Type/ Grade	UNS No.	Class/ Condition/ Temper	Size, mm	P-No. (5)
Aluminum alloy	Forgings & fittings	B361	WP6061	A96061	T6	...	23
Aluminum alloy	Forgings & fittings	B361	WP6061	A96061	T4 wld.	...	23
Aluminum alloy	Forgings & fittings	B361	WP6061	A96061	T6 wld.	...	23
Aluminum alloy	Forgings & fittings	B361	WP6063	A96063	T4	...	23
Aluminum alloy	Forgings & fittings	B361	WP6063	A96063	T6	...	23
Aluminum alloy	Forgings & fittings	B361	WP6063	A96063	T4 wld.	...	23
Aluminum alloy	Forgings & fittings	B361	WP6063	A96063	T6 wld.	...	23
Aluminum alloy	Castings	B26	443.0	A04430	F	...	...
Aluminum alloy	Castings	B26	356.0	A03560	T6	...	...
Aluminum alloy	Castings	B26	356.0	A03560	T71	...	...

**Table A-1M Basic Allowable Stresses in Tension for Metals (Metric)<sup>1</sup> (Cont'd)**  
 Numbers in Parentheses Refer to Notes for Appendix A Tables; Specifications Are ASTM Unless Otherwise Indicated

Notes	Min. Temp., °C (6)	Min. Tensile Strength, MPa	Min. Yield Strength, MPa	Max. Use Temp., °C	Basic Allowable Stress, S, MPa (1), at Metal Temperature, °C								UNS No.	Spec. No.
					40	65	100	125	150	175	200	225		
(2)(13)(23)(32)(33)(63)	-270	262	241	204	87.3	87.3	87.3	83.6	72.3	57.2	<b>40.2</b>	<b>35.9</b>	A96061	B361
(2)(22)(23)(32)(63)	-270	165	...	204	55.2	55.2	55.2	54.3	52.0	46.3	35.3	34.8	A96061	B361
(2)(22)(23)(32)(63)	-270	165	...	204	55.2	55.2	55.2	54.3	52.0	46.3	35.3	34.8	A96061	B361
(2)(13)(23)(32)(33)	-270	124	62	204	41.4	41.3	41.3	41.0	41.0	33.9	22.6	9.8	A96063	B361
(2)(13)(23)(32)(33)	-270	207	172	204	68.9	68.9	67.7	59.0	45.9	<b>27.5</b>	<b>15.3</b>	<b>13.8</b>	A96063	B361
(2)(23)(32)	-270	117	...	204	39.1	39.1	37.6	36.0	32.0	24.7	<b>15.3</b>	<b>13.8</b>	A96063	B361
(2)(23)(32)	-270	117	...	204	39.1	39.1	37.6	36.0	32.0	24.7	<b>15.3</b>	<b>13.8</b>	A96063	B361
(2)(9)(43)	-270	117	48	204	32.0	32.0	32.0	32.0	32.0	32.0	32.0	24.1	A04430	B26
(2)(9)(43)	-270	207	138	121	68.9	68.9	68.9	57.9	...	...	...	...	A03560	B26
(2)(9)(43)	-270	172	124	204	57.5	57.5	57.5	<b>55.0</b>	<b>49.8</b>	<b>38.6</b>	<b>18.9</b>	<b>16.5</b>	A03560	B26

**Table A-1A Basic Casting Quality Factors,  $E_c$** 

These quality factors are determined in accordance with para. 302.3.3(b). See also para. 302.3.3(c) and Table 302.3.3C for increased quality factors applicable in special cases. Specifications are ASTM.

Spec. No.	Description	$E_c$ [Note (2)]	Appendix A Notes
<b>Iron</b>			
A47	Malleable iron castings	1.00	(9)
A48	Gray iron castings	1.00	(9)
A126	Gray iron castings	1.00	(9)
A197	Cupola malleable iron castings	1.00	(9)
A278	Gray iron castings	1.00	(9)
A395	Ductile and ferritic ductile iron castings	0.80	(9), (40)
A571	Austenitic ductile iron castings	0.80	(9), (40)
<b>Carbon Steel</b>			
A216	Carbon steel castings	0.80	(9), (40)
A352	Ferritic steel castings	0.80	(9), (40)
<b>Low and Intermediate Alloy Steel</b>			
A217	Martensitic stainless and alloy castings	0.80	(9), (40)
A352	Ferritic steel castings	0.80	(9), (40)
A426	Centrifugally cast pipe	1.00	(10)
<b>Stainless Steel</b>			
A351	Austenitic steel castings	0.80	(9), (40)
A451	Centrifugally cast pipe	0.90	(10), (40)
A487	Steel castings	0.80	(9), (40)
<b>Copper and Copper Alloy</b>			
B61	Steam bronze castings	0.80	(9), (40)
B62	Composition bronze castings	0.80	(9), (40)
B148	Al-bronze and Si-Al-bronze castings	0.80	(9), (40)
B584	Copper alloy castings	0.80	(9), (40)
<b>Nickel and Nickel Alloy</b>			
A494	Nickel and nickel alloy castings	0.80	(9), (40)
<b>Aluminum Alloy</b>			
B26, Temper F	Aluminum alloy castings	1.00	(9), (10)
B26, Temper T6, T71	Aluminum alloy castings	0.80	(9), (40)



**Table A-1B Basic Quality Factors for Longitudinal Weld Joints in Pipes, Tubes, and Fittings,  $E_j$**   
 These quality factors are determined in accordance with para. 302.3.4(a). See also para. 302.3.4(b) and Table 302.3.4 for increased quality factors applicable in special cases. Specifications, except API, are ASTM.

(12)

Spec. No.	Class (or Type)	Description	$E_j$ (2)	Appendix A Notes
<b>Carbon Steel</b>				
API 5L	...	Seamless pipe	1.00	...
		Electric fusion welded pipe, 100% radiographed	1.00	...
		Electric resistance welded pipe	0.85	...
		Electric fusion welded pipe, double butt, straight or spiral (helical) seam	0.95	...
		Furnace butt welded	0.60	...
A53	Type S	Seamless pipe	1.00	...
	Type E	Electric resistance welded pipe	0.85	...
	Type F	Furnace butt welded pipe	0.60	...
A105	...	Forgings and fittings	1.00	(9)
A106	...	Seamless pipe	1.00	...
A134	...	Electric fusion welded pipe, single butt, straight or spiral (helical) seam	0.80	...
A135	...	Electric resistance welded pipe	0.85	...
A139	...	Electric fusion welded pipe, straight or spiral (helical) seam	0.80	...
A179	...	Seamless tube	1.00	...
A181	...	Forgings and fittings	1.00	(9)
A234	...	Seamless and welded fittings	1.00	(16)
A333	...	Seamless pipe	1.00	...
		Electric resistance welded pipe	0.85	...
A334	...	Seamless tube	1.00	...
A350	...	Forgings and fittings	1.00	(9)
A369	...	Seamless pipe	1.00	...
A381	...	Electric fusion welded pipe, 100% radiographed	1.00	...
		Electric fusion welded pipe, spot radiographed	0.90	(19)
		Electric fusion welded pipe, as manufactured	0.85	...
A420	...	Welded fittings, 100% radiographed	1.00	(16)
A524	...	Seamless pipe	1.00	...
A587	...	Electric resistance welded pipe	0.85	...
A671	12, 22, 32, 42, 52	Electric fusion welded pipe, 100% radiographed	1.00	...
	13, 23, 33, 43, 53	Electric fusion welded pipe, double butt seam	0.85	...
A672	12, 22, 32, 42, 52	Electric fusion welded pipe, 100% radiographed	1.00	...
	13, 23, 33, 43, 53	Electric fusion welded pipe, double butt seam	0.85	...
A691	12, 22, 32, 42, 52	Electric fusion welded pipe, 100% radiographed	1.00	...
	13, 23, 33, 43, 53	Electric fusion welded pipe, double butt seam	0.85	...
<b>Low and Intermediate Alloy Steel</b>				
A182	...	Forgings and fittings	1.00	(9)
A234	...	Seamless and welded fittings	1.00	(16)
A333	...	Seamless pipe	1.00	...
		Electric resistance welded pipe	0.85	(78)
A334	...	Seamless tube	1.00	...
A335	...	Seamless pipe	1.00	...
A350	...	Forgings and fittings	1.00	...
A369	...	Seamless pipe	1.00	...
A420	...	Welded fittings, 100% radiographed	1.00	(16)
A671	12, 22, 32, 42, 52	Electric fusion welded pipe, 100% radiographed	1.00	...
	13, 23, 33, 43, 53	Electric fusion welded pipe, double butt seam	0.85	(78)

**Table A-1B Basic Quality Factors for Longitudinal Weld Joints in Pipes, Tubes, and Fittings,  $E_j$  (Cont'd)**

These quality factors are determined in accordance with para. 302.3.4(a). See also para. 302.3.4(b) and Table 302.3.4 for increased quality factors applicable in special cases. Specifications, except API, are ASTM.

Spec. No.	Class (or Type)	Description	$E_j$ (2)	Appendix A Notes
<b>Low and Intermediate Alloy Steel (Cont'd)</b>				
A672	12, 22, 32, 42, 52	Electric fusion welded pipe, 100% radiographed	1.00	...
	13, 23, 33, 43, 53	Electric fusion welded pipe, double butt seam	0.85	(78)
A691	12, 22, 32, 42, 52	Electric fusion welded pipe, 100% radiographed	1.00	...
	13, 23, 33, 43, 53	Electric fusion welded pipe, double butt seam	0.85	(78)
<b>Stainless Steel</b>				
A182	...	Forgings and fittings	1.00	...
A268	...	Seamless tube	1.00	...
		Electric fusion welded tube, double butt seam	0.85	...
		Electric fusion welded tube, single butt seam	0.80	...
A269	...	Seamless tube	1.00	...
		Electric fusion welded tube, double butt seam	0.85	...
		Electric fusion welded tube, single butt seam	0.80	...
A312	...	Seamless tube	1.00	...
		Electric fusion welded tube, double butt seam	0.85	...
		Electric fusion welded tube, single butt seam	0.80	...
A358	1, 3, 4	Electric fusion welded pipe, 100% radiographed	1.00	...
	5	Electric fusion welded pipe, spot radiographed	0.90	...
	2	Electric fusion welded pipe, double butt seam	0.85	...
A376	...	Seamless pipe	1.00	...
A403	...	Seamless fittings	1.00	...
		Welded fitting, 100% radiographed	1.00	(16)
		Welded fitting, double butt seam	0.85	...
		Welded fitting, single butt seam	0.80	...
A409	...	Electric fusion welded pipe, double butt seam	0.85	...
		Electric fusion welded pipe, single butt seam	0.80	...
A487	...	Steel castings	0.80	(9)(40)
A789	...	Seamless tube	1.00	...
		Electric fusion welded, 100% radiographed	1.00	...
		Electric fusion welded, double butt	0.85	...
		Electric fusion welded, single butt	0.80	...
A790	...	Seamless pipe	1.00	...
		Electric fusion welded, 100% radiographed	1.00	...
		Electric fusion welded, double butt	0.85	...
		Electric fusion welded, single butt	0.80	...
A815	...	Seamless fittings	1.00	...
		Welded fittings, 100% radiographed	1.00	(16)
		Welded fittings, double butt seam	0.85	...
		Welded fittings, single butt seam	0.80	...
<b>Copper and Copper Alloy</b>				
B42	...	Seamless pipe	1.00	...
B43	...	Seamless pipe	1.00	...
B68	...	Seamless tube	1.00	...
B75	...	Seamless tube	1.00	...
B88	...	Seamless water tube	1.00	...
B280	...	Seamless tube	1.00	...
B466	...	Seamless pipe and tube	1.00	...
B467	...	Electric resistance welded pipe	0.85	...
		Electric fusion welded pipe, double butt seam	0.85	...
		Electric fusion welded pipe, single butt seam	0.80	...

**Table A-1B Basic Quality Factors for Longitudinal Weld Joints in Pipes, Tubes, and Fittings,  $E_j$  (Cont'd)**

These quality factors are determined in accordance with para. 302.3.4(a). See also para. 302.3.4(b) and Table 302.3.4 for increased quality factors applicable in special cases. Specifications, except API, are ASTM.

Spec. No.	Class (or Type)	Description	$E_j$ (2)	Appendix A Notes
<b>Nickel and Nickel Alloy</b>				
B160	...	Forgings and fittings	1.00	(9)
B161	...	Seamless pipe and tube	1.00	...
B164	...	Forgings and fittings	1.00	(9)
B165	...	Seamless pipe and tube	1.00	...
B167	...	Seamless pipe and tube	1.00	...
B366	...	Seamless and welded fittings	1.00	(16)
B407	...	Seamless pipe and tube	1.00	...
B444	...	Seamless pipe and tube	1.00	...
B464	...	Welded pipe	0.80	...
B514	...	Welded pipe	0.80	...
B517	...	Welded pipe	0.80	...
B564	...	Nickel alloy forgings	1.00	(9)
B619	...	Electric resistance welded pipe	0.85	...
		Electric fusion welded pipe, double butt seam	0.85	...
		Electric fusion welded pipe, single butt seam	0.80	...
B622	...	Seamless pipe and tube	1.00	...
B626	All	Electric resistance welded tube	0.85	...
		Electric fusion welded tube, double butt seam	0.85	...
		Electric fusion welded tube, single butt seam	0.80	...
B675	All	Welded pipe	0.80	...
B690	...	Seamless pipe	1.00	...
B705	...	Welded pipe	0.80	...
B725	...	Electric fusion welded pipe, double butt seam	0.85	...
		Electric fusion welded pipe, single butt seam	0.80	...
B729	...	Seamless pipe and tube	1.00	...
B804	1, 3, 5	Welded pipe, 100% radiographed	1.00	...
	2, 4	Welded pipe, double fusion welded	0.85	...
	6	Welded pipe, single fusion welded	0.80	...
<b>Titanium and Titanium Alloy</b>				
B861	...	Seamless pipe	1.00	...
B862	...	Welded pipe, double butt seam	0.85	...
		Welded pipe, single butt seam	0.80	...
<b>Zirconium and Zirconium Alloy</b>				
B523	...	Seamless tube	1.00	...
		Electric fusion welded tube	0.80	...
B658	...	Seamless pipe	1.00	...
		Electric fusion welded pipe	0.80	...
<b>Aluminum Alloy</b>				
B210	...	Seamless tube	1.00	...
B241	...	Seamless pipe and tube	1.00	...
B247	...	Forgings and fittings	1.00	(9)
B345	...	Seamless pipe and tube	1.00	...
B361	...	Seamless fittings	1.00	...
		Welded fittings, 100% radiograph	1.00	(18)(23)
		Welded fittings, double butt	0.85	(23)
		Welded fittings, single butt	0.80	(23)
B547	...	Welded pipe and tube, 100% radiograph	1.00	...
		Welded pipe, double butt seam	0.85	...
		Welded pipe, single butt seam	0.80	...

(12)

**Table A-2 Design Stress Values for Bolting Materials<sup>1</sup>**  
 Numbers in Parentheses Refer to Notes for Appendix A Tables; Specifications Are ASTM

Nominal Composition	Product Form	Spec. No.	Type/Grade	UNS No.	Class/Condition/ Temper	Size Range, Diam., in.	Notes	Min. Temp., °F (6)	Specified Min. Strength, ksi		Min. Temp.				
									Tensile	Yield	to 100	200	300	400	500
<b>Carbon Steel</b>															
...	Bolts	A675	45	D40450	...	...	(8f)(8g)	-20	45	22.5	11.3	11.3	11.3	11.3	11.3
...	Bolts	A675	50	D40500	...	...	(8f)(8g)	-20	50	25	12.5	12.5	12.5	12.5	12.5
...	Bolts	A675	55	D40550	...	...	(8f)(8g)	-20	55	27.5	13.8	13.8	13.8	13.8	13.8
...	Bolts	A307	B	...	...	...	(8f)(8g)	-20	60	...	15.0	15.0	15.0	15.0	15.0
...	Bolts	A675	60	D40600	...	...	(8f)(8g)	-20	60	30	15.0	15.0	15.0	15.0	15.0
...	Bolts	A675	65	D40650	...	...	(8g)	-20	65	32.5	16.3	16.3	16.3	16.3	16.3
...	Bolts	A675	70	D40700	...	...	(8g)	-20	70	35	17.5	17.5	17.5	17.5	17.5
...	Bolts	A325	...	...	...	...	(8g)	-20	105	81	20.3	20.3	20.3	20.3	20.3
...	Bolts	A675	80	D40800	...	...	(8g)	-20	80	40	20.0	20.0	20.0	20.0	20.0
...	Nuts	A194	1	K01503	...	...	(42)	-20	...	...	...	...	...	...	...
...	Nuts	A194	2	K04002	...	...	(42)	-55	...	...	...	...	...	...	...
...	Nuts	A194	2H	K04002	...	...	(42)	-55	...	...	...	...	...	...	...
...	Bolts	A194	2HM	K04002	...	...	(42)	-55	...	...	...	...	...	...	...
...	Nuts, hvy. hex	A563	A	K05802	...	...	(42b)	-20	...	...	...	...	...	...	...
<b>Alloy Steel</b>															
Cr- $\frac{1}{2}$ Mo	Bolts	A193	B7M	G41400	...	$\leq 4$	...	-55	100	80	20.0	20.0	20.0	20.0	20.0
Cr- $\frac{1}{2}$ Mo	Bolts	A320	L7M	G41400	...	$\leq 2\frac{1}{2}$	...	-100	100	80	20.0	20.0	20.0	20.0	20.0
5Cr	Bolts	A193	B5	S50100	...	$\leq 4$	(15)	-20	100	80	20.0	20.0	20.0	20.0	20.0
Cr-Mo-V	Bolts	A193	B16	K14072	...	$> 2\frac{1}{2}, \leq 4$	(15)	-20	110	95	22.0	22.0	22.0	22.0	22.0
...	Bolts	A354	BC	...	...	...	(15)	0	115	99	23.0	23.0	23.0	23.0	23.0
Cr-Mo	Bolts	A193	B7	G41400	...	$> 2\frac{1}{2}, \leq 4$	(15)	-40	115	95	23.0	23.0	23.0	23.0	23.0
Ni-Cr-Mo	Bolts	A320	L43	G43400	...	$\leq 4$	(15)	-150	125	105	25.0	25.0	25.0	25.0	25.0
Cr-Mo	Bolts	A320	L7	G41400	...	$\leq 2\frac{1}{2}$	(15)	-150	125	105	25.0	25.0	25.0	25.0	25.0
Cr-Mo	Bolts	A320	L7A	G40370	...	$\leq 2\frac{1}{2}$	(15)	-150	125	105	25.0	25.0	25.0	25.0	25.0
Cr-Mo	Bolts	A320	L7B	G41370	...	$\leq 2\frac{1}{2}$	(15)	-150	125	105	25.0	25.0	25.0	25.0	25.0
Cr-Mo	Bolts	A320	L7C	G87400	...	$\leq 2\frac{1}{2}$	(15)	-150	125	105	25.0	25.0	25.0	25.0	25.0
Cr-Mo	Bolts	A193	B7	G41400	...	$\leq 2\frac{1}{2}$	...	-55	125	105	25.0	25.0	25.0	25.0	25.0
Cr-Mo-V	Bolts	A193	B16	K14072	...	$\leq 2\frac{1}{2}$	(15)	-20	125	105	25.0	25.0	25.0	25.0	25.0
...	Bolts	A354	BD	...	...	$\leq 2\frac{1}{2}$	(15)	-20	150	130	30.0	30.0	30.0	30.0	30.0
5Cr	Nuts	A194	3	S50100	...	...	(42)	-20	...	...	...	...	...	...	...
Cr-Mo	Nuts	A194	4	K14510	...	...	(42)	-150	...	...	...	...	...	...	...
Cr-Mo	Nuts	A194	7	G41400	...	...	(42)	-150	...	...	...	...	...	...	...
Cr-Mo	Nuts	A194	7M	G41400	...	...	(42)	-150	...	...	...	...	...	...	...
<b>Stainless Steel</b>															
16Cr-12Ni-2Mo	Bolts	A193	B8M	S31600	2	$> 1\frac{1}{4}, \leq 1\frac{1}{2}$	(15)(60)	-325	90	50	18.8	17.3	15.6	14.3	13.3
16Cr-12Ni-2Mo	Bolts	A320	B8M	S31600	2	$> 1\frac{1}{4}, \leq 1\frac{1}{2}$	(15)(60)	-325	90	50	18.8	17.3	15.6	14.3	13.3
18Cr-8Ni	Bolts	A193	B8	S30400	2	$> 1\frac{1}{4}, \leq 1\frac{1}{2}$	(15)(60)	-325	100	50	18.8	16.7	15.0	13.8	12.9
18Cr-8Ni	Bolts	A320	B8	S30400	2	$> 1\frac{1}{4}, \leq 1\frac{1}{2}$	(15)(60)	-325	100	50	18.8	16.7	15.0	13.8	12.9
18Cr-10Ni-Cb	Bolts	A193	B8C	...	2	$> 1\frac{1}{4}, \leq 1\frac{1}{2}$	(15)(60)	-325	100	50	18.8	17.9	16.5	15.5	15.0
18Cr-10Ni-Cb	Bolts	A320	B8C	S34700	2	$> 1\frac{1}{4}, \leq 1\frac{1}{2}$	(15)(60)	-325	100	50	18.8	17.9	16.5	15.5	15.0
18Cr-10Ni-Ti	Bolts	A193	B8T	S32100	2	$> 1\frac{1}{4}, \leq 1\frac{1}{2}$	(15)(60)	-325	100	50	18.8	17.8	16.5	15.3	14.3
18Cr-10Ni-Ti	Bolts	A320	B8T	S32100	2	$> 1\frac{1}{4}, \leq 1\frac{1}{2}$	(15)(60)	-325	100	50	18.8	17.8	16.5	15.3	14.3
18Cr-9Ni	Bolts	A320	B8F	S30300	1	...	(8f)(15)(39)	-325	75	30	18.8	16.7	15.0	13.8	12.9

**Table A-2 Design Stress Values for Bolting Materials<sup>1</sup>**  
 Numbers in Parentheses Refer to Notes for Appendix A Tables; Specifications Are ASTM

(12)

Design Stress, ksi (1), at Metal Temperature, °F																				Type/ Grade	Spec. No.
600	650	700	750	800	850	900	950	1,000	1,050	1,100	1,150	1,200	1,250	1,300	1,350	1,400	1,450	1,500			
																				<b>Carbon Steel</b>	
11.3	11.1	10.7	10.4	9.2	7.9	5.9	4.0	...	...	...	...	...	...	...	...	...	...	...	45	A675	
12.5	12.4	11.9	10.7	9.2	7.9	5.9	4.0	...	...	...	...	...	...	...	...	...	...	...	50	A675	
13.8	13.6	13.1	12.7	10.8	8.7	5.9	4.0	...	...	...	...	...	...	...	...	...	...	...	55	A675	
...	...	...	...	...	...	...	...	...	...	...	...	...	...	...	...	...	...	...	B	A307	
15.0	14.8	14.3	13.8	11.4	8.7	5.9	4.0	...	...	...	...	...	...	...	...	...	...	...	60	A675	
16.3	16.1	15.5	13.9	11.4	9.0	6.3	4.0	...	...	...	...	...	...	...	...	...	...	...	65	A675	
17.5	17.3	16.7	14.8	12.0	9.3	6.7	4.0	...	...	...	...	...	...	...	...	...	...	...	70	A675	
20.3	20.3	20.3	...	...	...	...	...	...	...	...	...	...	...	...	...	...	...	...	...	A325	
20.0	19.8	19.1	...	...	...	...	...	...	...	...	...	...	...	...	...	...	...	...	80	A675	
...	...	...	...	...	...	...	...	...	...	...	...	...	...	...	...	...	...	...	1	A194	
...	...	...	...	...	...	...	...	...	...	...	...	...	...	...	...	...	...	...	2	A194	
...	...	...	...	...	...	...	...	...	...	...	...	...	...	...	...	...	...	...	2H	A194	
...	...	...	...	...	...	...	...	...	...	...	...	...	...	...	...	...	...	...	2HM	A194	
...	...	...	...	...	...	...	...	...	...	...	...	...	...	...	...	...	...	...	A	A563	
																				<b>Alloy Steel</b>	
20.0	20.0	20.0	20.0	18.5	16.3	12.5	8.5	4.5	2.4	...	...	...	...	...	...	...	...	...	B7M	A193	
20.0	20.0	20.0	20.0	18.5	16.3	12.5	8.5	4.5	2.4	...	...	...	...	...	...	...	...	...	L7M	A320	
20.0	20.0	20.0	20.0	20.0	14.3	10.9	8.0	5.8	4.2	2.9	1.8	1.0	0.6	...	...	...	...	...	B5	A193	
22.0	22.0	22.0	22.0	22.0	21.0	18.5	15.3	11.0	6.3	2.8	1.2	...	...	...	...	...	...	...	B16	A193	
23.0	23.0	23.0	...	...	...	...	...	...	...	...	...	...	...	...	...	...	...	...	BC	A354	
23.0	23.0	23.0	23.0	20.0	16.3	12.5	8.5	4.5	2.4	...	...	...	...	...	...	...	...	...	B7	A193	
25.0	25.0	25.0	25.0	...	...	...	...	...	...	...	...	...	...	...	...	...	...	...	L43	A320	
25.0	25.0	25.0	25.0	...	...	...	...	...	...	...	...	...	...	...	...	...	...	...	L7	A320	
25.0	25.0	25.0	...	...	...	...	...	...	...	...	...	...	...	...	...	...	...	...	L7A	A320	
25.0	25.0	25.0	...	...	...	...	...	...	...	...	...	...	...	...	...	...	...	...	L7B	A320	
25.0	25.0	25.0	...	...	...	...	...	...	...	...	...	...	...	...	...	...	...	...	L7C	A320	
25.0	25.0	25.0	25.0	21.0	17.0	12.5	8.5	4.5	2.4	...	...	...	...	...	...	...	...	...	B7	A193	
25.0	25.0	25.0	25.0	25.0	23.5	20.5	16.0	11.0	6.3	2.8	1.2	...	...	...	...	...	...	...	B16	A193	
30.0	30.0	30.0	...	...	...	...	...	...	...	...	...	...	...	...	...	...	...	...	BD	A354	
...	...	...	...	...	...	...	...	...	...	...	...	...	...	...	...	...	...	...	3	A194	
...	...	...	...	...	...	...	...	...	...	...	...	...	...	...	...	...	...	...	4	A194	
...	...	...	...	...	...	...	...	...	...	...	...	...	...	...	...	...	...	...	7	A194	
...	...	...	...	...	...	...	...	...	...	...	...	...	...	...	...	...	...	...	7M	A194	
																				<b>Stainless Steel</b>	
12.6	12.5	12.5	12.5	12.5	12.5	12.5	12.5	12.5	12.5	...	...	...	...	...	...	...	...	...	B8M Cl. 2	A193	
12.6	12.5	12.5	12.5	12.5	12.5	12.5	12.5	12.5	12.5	...	...	...	...	...	...	...	...	...	B8M Cl. 2	A320	
12.5	12.5	12.5	12.5	12.5	12.5	12.5	12.5	12.5	12.5	...	...	...	...	...	...	...	...	...	B8 Cl. 2	A193	
12.5	12.5	12.5	12.5	12.5	12.5	12.5	12.5	12.5	12.5	...	...	...	...	...	...	...	...	...	B8 Cl. 2	A320	
14.3	14.0	13.8	13.7	13.6	13.5	13.4	13.4	13.4	12.5	...	...	...	...	...	...	...	...	...	B8C Cl. 2	A193	
14.3	14.0	13.8	13.7	13.6	13.5	13.4	13.4	13.4	12.5	...	...	...	...	...	...	...	...	...	B8C Cl. 2	A320	
13.5	13.2	13.0	12.7	12.6	12.5	12.5	12.5	12.5	12.5	...	...	...	...	...	...	...	...	...	B8T Cl. 2	A193	
13.5	13.2	13.0	12.7	12.6	12.5	12.5	12.5	12.5	12.5	...	...	...	...	...	...	...	...	...	B8T Cl. 2	A320	
12.3	12.0	11.7	11.5	11.2	11.0	...	...	...	...	...	...	...	...	...	...	...	...	...	B8F Cl. 1	A320	

(12)

**Table A-2 Design Stress Values for Bolting Materials<sup>1</sup> (Cont'd)**  
 Numbers in Parentheses Refer to Notes for Appendix A Tables; Specifications Are ASTM

Nominal Composition	Product Form	Spec. No.	Type/Grade	UNS No.	Class/Condition/ Temper	Size Range, Diam., in.	Notes	Min. Temp., °F (6)	Specified Min. Strength, ksi		Min. Temp.				
									Tensile	Yield	to 100	200	300	400	500
<b>Stainless Steel (Cont'd)</b>															
19Cr-9Ni	Bolts	A453	651B	...	...	> 3	(15)(35)	-20	95	50	23.8	23.4	22.1	21.3	20.8
19Cr-9Ni	Bolts	A453	651B	...	...	≤ 3	(15)(35)	-20	95	60	23.8	23.4	22.1	21.3	20.8
19Cr-9Ni	Bolts	A453	651A	...	...	> 3	(15)(35)	-20	100	60	23.8	23.4	22.1	21.3	20.8
19Cr-9Ni	Bolts	A453	651A	...	...	≤ 3	(15)(35)	-20	100	70	23.8	23.4	22.1	21.3	20.8
16Cr-12Ni-2Mo	Bolts	A193	B8M	S31600	2	> 1, ≤ 1 <sup>1</sup> / <sub>4</sub>	(15)(60)	-325	105	65	18.8	17.3	16.3	16.3	16.3
16Cr-12Ni-2Mo	Bolts	A320	B8M	S31600	2	> 1, ≤ 1 <sup>1</sup> / <sub>4</sub>	(15)(60)	-325	105	65	18.8	17.3	16.3	16.3	16.3
18Cr-10Ni-Cb	Bolts	A193	B8C	...	2	> 1, ≤ 1 <sup>1</sup> / <sub>4</sub>	(15)(60)	-325	105	65	18.8	17.9	16.5	16.3	16.3
18Cr-10Ni-Cb	Bolts	A320	B8C	S34700	2	> 1, ≤ 1 <sup>1</sup> / <sub>4</sub>	(15)(60)	-325	105	65	18.8	17.9	16.5	16.3	16.3
18Cr-8Ni	Bolts	A193	B8	S30400	2	> 1, ≤ 1 <sup>1</sup> / <sub>4</sub>	(15)(60)	-325	105	65	18.8	16.7	16.3	16.3	16.3
18Cr-8Ni	Bolts	A320	B8	S30400	2	> 1, ≤ 1 <sup>1</sup> / <sub>4</sub>	(15)(60)	-325	105	65	18.8	16.7	16.3	16.3	16.3
18Cr-10Ni-Ti	Bolts	A193	B8T	S32100	2	> 1, ≤ 1 <sup>1</sup> / <sub>4</sub>	(15)(60)	-325	105	65	18.8	17.8	16.5	16.3	16.3
18Cr-10Ni-Ti	Bolts	A320	B8T	S32100	2	> 1, ≤ 1 <sup>1</sup> / <sub>4</sub>	(15)(60)	-325	105	65	18.8	17.8	16.5	16.3	16.3
18Cr-10Ni-Ti	Bolts	A193	B8T	S32100	1	...	(8f)(15)(28)	-325	75	30	18.8	17.8	16.5	15.3	14.3
18Cr-8Ni	Bolts	A320	B8	S30400	1	...	(8f)(15)(28)	-425	75	30	18.8	16.7	15.0	13.8	12.9
18Cr-10Ni-Cb	Bolts	A193	B8C	...	1	...	(8f)(15)(28)	-425	75	30	18.8	17.9	16.5	15.5	15.0
16Cr-12Ni-2Mo	Bolts	A193	B8M	S31600	1	...	(8f)(15)(28)	-325	75	30	18.8	17.3	15.6	14.3	13.3
16Cr-12Ni-2Mo	Bolts	A193	B8M	S31600	2/str. hd.	> 3/4, ≤ 1	(15)(60)	-325	100	80	20.0	20.0	20.0	20.0	20.0
16Cr-12Ni-2Mo	Bolts	A320	B8M	S31600	2/str. hd.	> 3/4, ≤ 1	(15)(60)	-325	100	80	20.0	20.0	20.0	20.0	20.0
18Cr-10Ni-Cb	Bolts	A193	B8C	...	2/str. hd.	> 3/4, ≤ 1	(15)(60)	-325	115	80	20.0	20.0	20.0	20.0	20.0
18Cr-10Ni-Cb	Bolts	A320	B8C	S34700	2/str. hd.	> 3/4, ≤ 1	(15)(60)	-325	115	80	20.0	20.0	20.0	20.0	20.0
18Cr-8Ni	Bolts	A193	B8	S30400	2/str. hd.	> 3/4, ≤ 1	(15)(60)	-325	115	80	20.0	20.0	20.0	20.0	20.0
18Cr-8Ni	Bolts	A320	B8	S30400	2/str. hd.	> 3/4, ≤ 1	(15)(60)	-325	115	80	20.0	20.0	20.0	20.0	20.0
18Cr-10Ni-Ti	Bolts	A193	B8T	S32100	2/str. hd.	> 3/4, ≤ 1	(15)(60)	-325	115	80	20.0	20.0	20.0	20.0	20.0
18Cr-10Ni-Ti	Bolts	A320	B8T	S32100	2/str. hd.	> 3/4, ≤ 1	(15)(60)	-325	115	80	20.0	20.0	20.0	20.0	20.0

**Table A-2 Design Stress Values for Bolting Materials<sup>1</sup> (Cont'd)**  
 Numbers in Parentheses Refer to Notes for Appendix A Tables; Specifications Are ASTM

(12)

Design Stress, ksi (1), at Metal Temperature, °F																				Type/ Grade	Spec. No.
600	650	700	750	800	850	900	950	1,000	1,050	1,100	1,150	1,200	1,250	1,300	1,350	1,400	1,450	1,500			
																				Stainless Steel (Cont'd)	
20.5	20.4	20.3	20.2	20.0	19.7	19.3	18.9	18.2	17.5	...	...	...	...	...	...	...	...	...	651B	A453	
20.5	20.4	20.3	20.2	20.0	19.7	19.3	18.9	18.2	17.5	...	...	...	...	...	...	...	...	...	651B	A453	
20.5	20.4	20.3	20.2	20.0	19.7	19.3	18.9	18.2	17.5	...	...	...	...	...	...	...	...	...	651A	A453	
20.5	20.4	20.3	20.2	20.0	19.7	19.3	18.9	18.2	17.5	...	...	...	...	...	...	...	...	...	651A	A453	
16.3	16.3	16.3	16.3	16.3	16.3	16.3	16.3	16.3	16.3	...	...	...	...	...	...	...	...	...	B8M Cl. 2	A193	
16.3	16.3	16.3	16.3	16.3	16.3	16.3	16.3	16.3	16.3	...	...	...	...	...	...	...	...	...	B8M Cl. 2	A320	
16.3	16.3	16.3	16.3	16.3	16.3	16.3	16.3	16.3	16.3	...	...	...	...	...	...	...	...	...	B8C Cl. 2	A193	
16.3	16.3	16.3	16.3	16.3	16.3	16.3	16.3	16.3	16.3	...	...	...	...	...	...	...	...	...	B8C Cl. 2	A320	
16.3	16.3	16.3	16.3	16.3	16.3	16.3	16.3	16.3	16.3	...	...	...	...	...	...	...	...	...	B8 Cl. 2	A193	
16.3	16.3	16.3	16.3	16.3	16.3	16.3	16.3	16.3	16.3	...	...	...	...	...	...	...	...	...	B8 Cl. 2	A320	
16.3	16.3	16.3	16.3	16.3	16.3	16.3	16.3	16.3	16.3	...	...	...	...	...	...	...	...	...	B8T Cl. 2	A193	
16.3	16.3	16.3	16.3	16.3	16.3	16.3	16.3	16.3	16.3	...	...	...	...	...	...	...	...	...	B8T Cl. 2	A320	
13.5	13.2	13.0	12.7	12.6	12.4	12.3	12.1	12.0	9.6	6.9	5.0	3.6	2.6	1.7	1.1	0.8	0.5	0.3	B8T Cl. 1	A193	
12.3	12.0	11.7	11.5	11.2	11.0	10.8	10.6	10.4	10.1	9.8	7.7	6.1	4.7	3.7	2.9	2.3	1.8	1.4	B8 Cl. 1	A320	
14.3	14.0	13.8	13.7	13.6	13.5	13.4	13.4	13.4	12.1	9.1	6.1	4.4	3.3	2.2	1.5	1.2	0.9	0.8	B8C Cl. 1	A193	
12.6	12.3	12.1	11.9	11.8	11.6	11.5	11.4	11.3	11.2	11.1	9.8	7.4	5.6	4.2	3.2	2.4	1.8	1.4	B8M Cl. 1	A193	
20.0	20.0	20.0	20.0	20.0	20.0	20.0	20.0	20.0	20.0	...	...	...	...	...	...	...	...	...	B8M Cl. 2	A193	
20.0	20.0	20.0	20.0	20.0	20.0	20.0	20.0	20.0	20.0	...	...	...	...	...	...	...	...	...	B8M Cl. 2	A320	
20.0	20.0	20.0	20.0	20.0	20.0	20.0	20.0	20.0	20.0	...	...	...	...	...	...	...	...	...	B8C Cl. 2	A193	
20.0	20.0	20.0	20.0	20.0	20.0	20.0	20.0	20.0	20.0	...	...	...	...	...	...	...	...	...	B8C Cl. 2	A320	
20.0	20.0	20.0	20.0	20.0	20.0	20.0	20.0	20.0	20.0	...	...	...	...	...	...	...	...	...	B8 Cl. 2	A193	
20.0	20.0	20.0	20.0	20.0	20.0	20.0	20.0	20.0	20.0	...	...	...	...	...	...	...	...	...	B8 Cl. 2	A320	
20.0	20.0	20.0	20.0	20.0	20.0	20.0	20.0	20.0	20.0	...	...	...	...	...	...	...	...	...	B8T Cl. 2	A193	
20.0	20.0	20.0	20.0	20.0	20.0	20.0	20.0	20.0	20.0	...	...	...	...	...	...	...	...	...	B8T Cl. 2	A320	

(12)

**Table A-2 Design Stress Values for Bolting Materials<sup>1</sup> (Cont'd)**  
 Numbers in Parentheses Refer to Notes for Appendix A Tables; Specifications Are ASTM

Nominal Composition	Product Form	Spec. No.	Type/Grade	UNS No.	Class/Condition/ Temper	Size Range, Diam., in.	Notes	Min. Temp., °F (6)	Specified Min. Strength, ksi		Min. Temp.							
									Tensile	Yield	to 100	200	300	400	500			
<b>Stainless Steel (Cont'd)</b>																		
12Cr	Bolts	A437	B4C	S42200	...	...	(35)	-20	115	85	21.3	21.3	21.3	21.3	21.3			
13Cr	Bolts	A193	B6	S41000	...	≤ 4	(15)(35)	-20	110	85	21.3	21.3	21.3	21.3	21.3			
14Cr-24Ni	Bolts	A453	660	...	A	...	(15)(35)	-20	130	85	22.5	22.5	22.5	22.5	22.1			
14Cr-24Ni	Bolts	A453	660	...	B	...	(15)(35)	-20	130	85	22.5	22.5	22.5	22.5	22.1			
16Cr-12Ni-2Mo	Bolts	A193	B8M	S31600	2/str. hd.	≤ 3/4	(15)(60)	-325	110	95	22.0	22.0	22.0	22.0	22.0			
16Cr-12Ni-2Mo	Bolts	A320	B8M	S31600	2/str. hd.	≤ 3/4	(15)(60)	-325	110	95	22.0	22.0	22.0	22.0	22.0			
18Cr-10Ni-Cb	Bolts	A193	B8C	...	2	≤ 3/4	(15)(60)	-325	125	100	25.0	25.0	25.0	25.0	25.0			
18Cr-10Ni-Cb	Bolts	A320	B8C	S34700	2	≤ 3/4	(15)(60)	-325	125	100	25.0	25.0	25.0	25.0	25.0			
18Cr-8Ni	Bolts	A193	B8	S30400	2	≤ 3/4	(15)(60)	-325	125	100	25.0	25.0	25.0	25.0	25.0			
18Cr-8Ni	Bolts	A320	B8	S30400	2	≤ 3/4	(15)(60)	-325	125	100	25.0	25.0	25.0	25.0	25.0			
18Cr-10Ni-Ti	Bolts	A193	B8T	S32100	2	≤ 3/4	(15)(60)	-325	125	100	25.0	25.0	25.0	25.0	25.0			
18Cr-10Ni-Ti	Bolts	A320	B8T	S32100	2	≤ 3/4	(15)(60)	-325	125	100	25.0	25.0	25.0	25.0	25.0			
12Cr	Bolts	A437	B4B	S42225	...	...	(35)	-20	145	105	26.3	26.3	26.3	26.3	26.3			
12Cr	Nuts	A194	6	S41000	...	...	(35)(42)	-20	...	...	...	...	...	...	...			
18Cr-9Ni	Nuts	A194	8FA	S30300	...	...	(42)	-20	...	...	...	...	...	...	...			
16Cr-12Ni-2Mo	Nuts	A194	8MA	S31600	...	...	(42)	-325	...	...	...	...	...	...	...			
18Cr-10Ni-Ti	Nuts	A194	8TA	S32100	...	...	(42)	-325	...	...	...	...	...	...	...			
18Cr-8Ni	Nuts	A194	8	S30400	...	...	(42)	-425	...	...	...	...	...	...	...			
18Cr-8Ni	Nuts	A194	8A	S30400	...	...	(42)	-425	...	...	...	...	...	...	...			
18Cr-10Ni-Cb	Nuts	A194	8CA	S34700	...	...	(42)	-425	...	...	...	...	...	...	...			



**Table A-2 Design Stress Values for Bolting Materials<sup>1</sup> (Cont'd)**  
 Numbers in Parentheses Refer to Notes for Appendix A Tables; Specifications Are ASTM

(12)

Design Stress, ksi (1), at Metal Temperature, °F																				Type/ Grade	Spec. No.
600	650	700	750	800	850	900	950	1,000	1,050	1,100	1,150	1,200	1,250	1,300	1,350	1,400	1,450	1,500			
																				Stainless Steel (Cont'd)	
21.3	21.3	21.3	21.3	...	...	...	...	...	...	...	...	...	...	...	...	...	...	...	...	B4C	A437
21.3	21.3	21.3	21.3	21.3	21.3	20.2	18.7	...	...	...	...	...	...	...	...	...	...	...	...	B6	A193
21.7	21.5	21.3	21.3	21.3	21.3	21.3	21.3	21.3	21.3	...	...	...	...	...	...	...	...	...	...	660 Cl. A	A453
21.7	21.5	21.3	21.3	21.3	21.3	21.3	21.3	21.3	21.3	...	...	...	...	...	...	...	...	...	...	660 Cl. B	A453
22.0	22.0	22.0	22.0	22.0	22.0	22.0	22.0	22.0	22.0	...	...	...	...	...	...	...	...	...	...	B8M Cl. 2	A193
22.0	22.0	22.0	22.0	22.0	22.0	22.0	22.0	22.0	22.0	...	...	...	...	...	...	...	...	...	...	B8M Cl. 2	A320
24.6	24.5	24.5	24.5	24.5	24.5	24.4	24.2	23.9	23.5	...	...	...	...	...	...	...	...	...	...	B8C Cl. 2	A193
24.6	24.5	24.5	24.5	24.5	24.5	24.4	24.2	23.9	23.5	...	...	...	...	...	...	...	...	...	...	B8C Cl. 2	A320
25.0	25.0	25.0	25.0	25.0	25.0	25.0	24.7	23.9	22.9	...	...	...	...	...	...	...	...	...	...	B8 Cl. 2	A193
25.0	25.0	25.0	25.0	25.0	25.0	25.0	24.7	23.9	22.9	...	...	...	...	...	...	...	...	...	...	B8 Cl. 2	A320
25.0	25.0	25.0	25.0	25.0	25.0	25.0	25.0	25.0	25.0	...	...	...	...	...	...	...	...	...	...	B8T Cl. 2	A193
25.0	25.0	25.0	25.0	25.0	25.0	25.0	25.0	25.0	25.0	...	...	...	...	...	...	...	...	...	...	B8T Cl. 2	A320
26.3	26.3	26.3	...	...	...	...	...	...	...	...	...	...	...	...	...	...	...	...	...	B4B	A437
...	...	...	...	...	...	...	...	...	...	...	...	...	...	...	...	...	...	...	...	6	A194
...	...	...	...	...	...	...	...	...	...	...	...	...	...	...	...	...	...	...	...	8FA	A194
...	...	...	...	...	...	...	...	...	...	...	...	...	...	...	...	...	...	...	...	8MA	A194
...	...	...	...	...	...	...	...	...	...	...	...	...	...	...	...	...	...	...	...	8TA	A194
...	...	...	...	...	...	...	...	...	...	...	...	...	...	...	...	...	...	...	...	8	A194
...	...	...	...	...	...	...	...	...	...	...	...	...	...	...	...	...	...	...	...	8A	A194
...	...	...	...	...	...	...	...	...	...	...	...	...	...	...	...	...	...	...	...	8CA	A194

(12)

**Table A-2 Design Stress Values for Bolting Materials<sup>1</sup> (Cont'd)**  
 Numbers in Parentheses Refer to Notes for Appendix A Tables; Specifications Are ASTM

Nominal Composition	Product Form	Spec. No.	Type/Grade	UNS No.	Class/Condition/ Temper	Size Range, Diam., in.	Notes	Min. Temp., °F (6)	Specified Min. Strength, ksi		Min. Temp. to			
									Tensile	Yield	100	200	300	400
<b>Copper and Copper Alloy</b>														
Naval brass	Bolts	B21	...	C46400	O60	...	(8f)	-325	50	20	12.5	12.5	12.5	...
Naval brass	Bolts	B21	...	C48200	O60	...	(8f)	-325	50	20	12.5	12.5	12.5	...
Naval brass	Bolts	B21	...	C48500	O60	...	(8f)	-325	50	20	12.5	12.5	12.5	...
Cu	Bolts	B187	...	C10200	O60	...	(8f)	-325	30	10	6.7	5.4	5.0	...
Cu	Bolts	B187	...	C11000	O60	...	(8f)	-325	30	10	6.7	5.4	5.0	...
Cu	Bolts	B187	...	C12000	O60	...	(8f)	-325	30	10	6.7	5.4	5.0	...
Cu	Bolts	B187	...	C12200	O60	...	(8f)	-325	30	10	6.7	5.4	5.0	...
Cu-Si	Bolts	B98	...	C65100	O60	...	(8f)(52)	-325	40	12	8.0	8.0	7.1	...
Cu-Si	Bolts	B98	...	C65500	O60	...	(8f)(52)	-325	52	15	10.0	10.0	10.0	...
Cu-Si	Bolts	B98	...	C66100	O60	...	(8f)(52)	-325	52	15	10.0	10.0	10.0	...
Cu-Si	Bolts	B98	...	C65500	H01	...	(8f)	-325	55	24	10.0	10.0	10.0	...
Cu-Si	Bolts	B98	...	C66100	H01	...	(8f)	-325	55	24	10.0	10.0	10.0	...
Cu-Si	Bolts	B98	...	C65500	H02	≤ 2	...	-325	70	38	10.0	10.0	10.0	...
Cu-Si	Bolts	B98	...	C66100	H02	≤ 2	...	-325	70	38	10.0	10.0	10.0	...
Cu-Si	Bolts	B98	...	C65100	H06	> 1, ≤ 1½	...	-325	75	40	10.0	10.0	10.0	...
Cu-Si	Bolts	B98	...	C65100	H06	> ½, ≤ 1	...	-325	75	45	11.3	11.3	11.3	...
Cu-Si	Bolts	B98	...	C65100	H06	≤ ½	...	-325	85	55	13.8	13.8	13.8	...
Al-Si-bronze	Bolts	B150	...	C64200	HR50	> 1, ≤ 2	...	-325	80	42	16.7	13.9	13.4	10.8
Al-Si-bronze	Bolts	B150	...	C64200	HR50	> ½, ≤ 1	...	-325	85	42	16.7	13.9	13.4	10.8
Al-Si-bronze	Bolts	B150	...	C64200	HR50	≤ ½	...	-325	90	42	16.7	13.9	13.4	10.8
Al-bronze	Bolts	B150	...	C61400	HR50	> 1, ≤ 2	...	-325	70	32	17.5	17.5	17.5	17.2
Al-bronze	Bolts	B150	...	C61400	HR50	> ½, ≤ 1	...	-325	75	35	17.5	17.5	17.5	17.2
Al-bronze	Bolts	B150	...	C61400	HR50	≤ ½	...	-325	80	40	18.0	18.0	18.0	17.7
Al-bronze	Bolts	B150	...	C63000	HR50	> 2, ≤ 3	...	-325	85	42.5	21.3	21.3	21.0	20.7
Al-bronze	Bolts	B150	...	C63000	M20	> 3, ≤ 4	...	-325	85	42.5	20.0	19.6	19.1	18.8
Al-bronze	Bolts	B150	...	C63000	HR50	> 1, ≤ 2	...	-325	90	45	22.5	22.5	22.5	22.5
Al-bronze	Bolts	B150	...	C63000	HR50	> ½, ≤ 1	...	-325	100	50	22.5	22.5	22.5	22.5
<b>Nickel and Nickel Alloy</b>														
Low C-Ni	Bolts	B160	...	N02201	Hot fin./ann.	...	(8f)	-325	50	10	6.7	6.4	6.3	6.2
Ni	Bolts	B160	...	N02200	Hot fin.	...	(8f)	-325	60	15	10.0	10.0	10.0	10.0
Ni	Bolts	B160	...	N02200	Annealed	...	(8f)	-325	55	15	10.0	10.0	10.0	10.0
Ni	Bolts	B160	...	N02200	Cold drawn	...	...	-325	65	40	10.0	10.0	10.0	10.0
Ni-Cu	Bolts	B164	...	N04400	C.D./str. rel.	...	(54)	-325	84	50	16.7	14.6	13.6	13.2
Ni-Cu	Bolts	B164	...	N04405	Cold drawn	...	(54)	-325	85	50	16.7	14.6	13.6	13.2
Ni-Cu	Bolts	B164	...	N04400	Cold drawn	...	(54)	-325	85	55	16.7	14.6	13.8	13.8
Ni-Cu	Bolts	B164	...	N04400	Annealed	...	(8f)	-325	70	25	16.7	14.6	13.6	13.2
Ni-Cu	Bolts	B164	...	N04405	Annealed	...	(8f)	-325	70	25	16.7	14.6	13.6	13.2
Ni-Cu	Rod	B164	...	N04405	Hot fin.	≤ 3	...	-325	75	35	16.7	14.6	13.6	13.2
Ni-Cu	Hex	B164	...	N04400	Hot fin.	≥ 2½, ≤ 4	(8f)	-325	75	30	16.7	14.6	13.6	13.2
Ni-Cu	All except hex	B164	...	N04400	Hot fin.	> 2½	...	-325	80	40	16.7	14.6	13.6	13.2

**Table A-2 Design Stress Values for Bolting Materials<sup>1</sup> (Cont'd)**  
 Numbers in Parentheses Refer to Notes for Appendix A Tables; Specifications Are ASTM

(12)

Design Stress, ksi (1), at Metal Temperature, °F																	
500	600	650	700	750	800	850	900	950	1,000	1,050	1,100	1,150	1,200	1,250	1,300	UNS No.	Spec. No.
<b>Copper and Copper Alloy</b>																	
...	...	...	...	...	...	...	...	...	...	...	...	...	...	...	...	C46400	B21
...	...	...	...	...	...	...	...	...	...	...	...	...	...	...	...	C48200	B21
...	...	...	...	...	...	...	...	...	...	...	...	...	...	...	...	C48500	B21
...	...	...	...	...	...	...	...	...	...	...	...	...	...	...	...	C10200	B187
...	...	...	...	...	...	...	...	...	...	...	...	...	...	...	...	C11000	B187
...	...	...	...	...	...	...	...	...	...	...	...	...	...	...	...	C12000	B187
...	...	...	...	...	...	...	...	...	...	...	...	...	...	...	...	C12200	B187
...	...	...	...	...	...	...	...	...	...	...	...	...	...	...	...	C65100	B98
...	...	...	...	...	...	...	...	...	...	...	...	...	...	...	...	C65500	B98
...	...	...	...	...	...	...	...	...	...	...	...	...	...	...	...	C66100	B98
...	...	...	...	...	...	...	...	...	...	...	...	...	...	...	...	C65500	B98
...	...	...	...	...	...	...	...	...	...	...	...	...	...	...	...	C66100	B98
...	...	...	...	...	...	...	...	...	...	...	...	...	...	...	...	C65500	B98
...	...	...	...	...	...	...	...	...	...	...	...	...	...	...	...	C66100	B98
...	...	...	...	...	...	...	...	...	...	...	...	...	...	...	...	C65100	B98
...	...	...	...	...	...	...	...	...	...	...	...	...	...	...	...	C65100	B98
...	...	...	...	...	...	...	...	...	...	...	...	...	...	...	...	C65100	B98
5.2	1.7	1.2	...	...	...	...	...	...	...	...	...	...	...	...	...	C64200	B150
5.2	1.7	1.2	...	...	...	...	...	...	...	...	...	...	...	...	...	C64200	B150
5.2	1.7	1.2	...	...	...	...	...	...	...	...	...	...	...	...	...	C64200	B150
16.0	...	...	...	...	...	...	...	...	...	...	...	...	...	...	...	C61400	B150
16.0	...	...	...	...	...	...	...	...	...	...	...	...	...	...	...	C61400	B150
16.4	...	...	...	...	...	...	...	...	...	...	...	...	...	...	...	C61400	B150
19.4	12.0	8.6	6.0	4.2	...	...	...	...	...	...	...	...	...	...	...	C63000	B150
17.6	12.0	8.6	6.0	4.2	...	...	...	...	...	...	...	...	...	...	...	C63000	B150
21.1	12.0	8.6	6.0	4.2	...	...	...	...	...	...	...	...	...	...	...	C63000	B150
21.1	12.0	8.6	6.0	4.2	...	...	...	...	...	...	...	...	...	...	...	C63000	B150
<b>Nickel and Nickel Alloy</b>																	
6.2	6.2	6.2	6.2	6.1	6.0	5.8	4.5	3.7	3.0	2.4	2.0	1.5	1.2	1.0	...	N02201	B160
10.0	10.0	10.0	...	...	...	...	...	...	...	...	...	...	...	...	...	N02200	B160
10.0	10.0	10.0	...	...	...	...	...	...	...	...	...	...	...	...	...	N02200	B160
10.0	10.0	10.0	...	...	...	...	...	...	...	...	...	...	...	...	...	N02200	B160
13.1	13.1	13.1	...	...	...	...	...	...	...	...	...	...	...	...	...	N04400	B164
13.1	...	...	...	...	...	...	...	...	...	...	...	...	...	...	...	N04405	B164
13.8	...	...	...	...	...	...	...	...	...	...	...	...	...	...	...	N04400	B164
13.1	13.1	13.1	13.0	12.9	12.7	12.6	12.5	9.2	...	...	...	...	...	...	...	N04400	B164
13.1	13.1	13.1	13.0	12.9	12.7	12.6	12.5	9.2	...	...	...	...	...	...	...	N04405	B164
13.1	13.1	13.1	13.0	12.9	12.7	12.6	12.5	9.2	...	...	...	...	...	...	...	N04405	B164
13.1	13.1	13.1	13.0	12.9	12.7	12.6	12.5	9.2	...	...	...	...	...	...	...	N04400	B164
13.1	13.1	13.1	13.0	12.9	12.7	12.6	12.5	9.2	...	...	...	...	...	...	...	N04400	B164

(12)

**Table A-2 Design Stress Values for Bolting Materials<sup>1</sup> (Cont'd)**  
 Numbers in Parentheses Refer to Notes for Appendix A Tables; Specifications Are ASTM

Nominal Composition	Product Form	Spec. No.	Type/Grade	UNS No.	Class/Condition/ Temper	Size Range, Diam., in.	Notes	Min. Temp., °F (6)	Specified Min. Strength, ksi		Min. Temp. to			
									Tensile	Yield	100	200	300	400
<b>Nickel and Nickel Alloy (Cont'd)</b>														
Ni-Cr-Fe	Rod	B166	...	N06600	Cold drawn	≤ 3	(41)(54)	-325	105	80	20.0	20.0	20.0	20.0
Ni-Cr-Fe	Rod	B166	...	N06600	Hot fin.	≤ 3	...	-325	90	40	16.7	15.9	15.2	14.6
Ni-Cr-Fe	Bolts	B166	...	N06600	Annealed	...	...	-325	80	35	16.7	15.9	15.2	14.6
Ni-Cr-Fe	Rod	B166	...	N06600	Hot fin.	> 3	...	-325	85	35	16.7	15.9	15.2	14.6
Ni-Mo	Bolts	B335	...	N10001	Annealed	...	...	-325	100	46	25.0	25.0	25.0	24.6
Ni-Mo-Cr	Bolts	B574	...	N10276	Sol. ann.	...	...	-325	100	41	25.0	24.9	23.0	21.3
<b>Aluminum Alloy</b>														
...	Bolts	B211	6061	A96061	T6, T651 wld.	≥ 1/8, ≤ 8	(8f)(43)(63)	-452	24	...	4.8	4.8	4.8	3.6
...	Bolts	B211	6061	A96061	T6, T651	≥ 1/8, ≤ 8	(43)(63)	-452	42	35	8.4	8.4	8.4	4.8
...	Bolts	B211	2024	A92024	T4	> 6 1/2, ≤ 8	(43)(63)	-452	58	38	9.5	9.5	9.5	4.2
...	Bolts	B211	2024	A92024	T4	> 4 1/2, ≤ 6 1/2	(43)(63)	-452	62	40	10.0	10.0	10.0	4.5
...	Bolts	B211	2024	A92024	T4	≥ 1/2, ≤ 4 1/2	(43)(63)	-452	62	42	10.5	10.5	10.3	4.5
...	Bolts	B211	2024	A92024	T4	≥ 1/8, < 1/2	(43)(63)	-452	62	45	11.3	11.3	10.3	4.5
...	Bolts	B211	2014	A92014	T6, T651	≥ 1/8, ≤ 8	(43)(63)	-452	65	55	13.0	13.0	12.4	4.3

**Table A-2 Design Stress Values for Bolting Materials<sup>1</sup> (Cont'd)**  
 Numbers in Parentheses Refer to Notes for Appendix A Tables; Specifications Are ASTM

(12)

Design Stress, ksi (1), at Metal Temperature, °F																	
500	600	650	700	750	800	850	900	950	1,000	1,050	1,100	1,150	1,200	1,250	1,300	UNS No.	Spec. No.
<b>Nickel and Nickel Alloy (Cont'd)</b>																	
20.0	...	...	...	...	...	...	...	...	...	...	...	...	...	...	...	N06600	B166
14.0	13.5	13.3	13.1	12.9	12.7	12.5	12.4	10.0	7.0	4.5	3.0	2.2	2.0	1.8	...	N06600	B166
14.0	13.5	13.3	13.1	12.9	12.7	12.5	12.4	9.2	7.0	4.5	3.0	2.2	2.0	1.8	...	N06600	B166
14.0	13.5	13.3	13.1	12.9	12.7	12.5	12.4	9.2	7.0	4.5	3.0	2.2	2.0	1.8	...	N06600	B166
24.3	23.6	23.3	23.0	22.8	22.6	22.5	...	...	...	...	...	...	...	...	...	N10001	B335
19.9	18.7	18.2	17.8	17.4	17.1	16.9	16.7	16.6	16.5	16.5	...	...	...	...	...	N10276	B574
<b>Aluminum Alloy</b>																	
...	...	...	...	...	...	...	...	...	...	...	...	...	...	...	...	A96061	B211
...	...	...	...	...	...	...	...	...	...	...	...	...	...	...	...	A96061	B211
...	...	...	...	...	...	...	...	...	...	...	...	...	...	...	...	A92024	B211
...	...	...	...	...	...	...	...	...	...	...	...	...	...	...	...	A92024	B211
...	...	...	...	...	...	...	...	...	...	...	...	...	...	...	...	A92024	B211
...	...	...	...	...	...	...	...	...	...	...	...	...	...	...	...	A92024	B211
...	...	...	...	...	...	...	...	...	...	...	...	...	...	...	...	A92014	B211

(12) **Table A-2M Design Stress Values for Bolting Materials (Metric)<sup>1</sup> (Cont'd)**

Numbers in Parentheses Refer to Notes for Appendix A Tables; Specifications Are ASTM Unless Otherwise Indicated

Nominal Composition	Product Form	Spec. No.	Type/ Grade	UNS No.	Class/ Condition/ Temper	Size, mm
Carbon steel	Bolts	A675	45	D40450	...	...
Carbon steel	Bolts	A675	50	D40500	...	...
Carbon steel	Bolts	A675	55	D40550	...	...
Carbon steel	Bolts	A307	B	...	...	...
Carbon steel	Bolts	A675	60	D40600	...	...
Carbon steel	Bolts	A675	65	D40650	...	...
Carbon steel	Bolts	A675	70	D40700	...	...
Carbon steel	Bolts	A325	...	...	...	...
Carbon steel	Bolts	A675	80	D40800	...	...
Carbon steel	Nuts	A194	1	K01503	...	...
Carbon steel	Nuts	A194	2, 2H	K04002	...	...
Carbon steel	Bolts	A194	2HM	K04002	...	...
Carbon steel	Nuts	A563	A, hvy. hex	K05802	...	...
Cr-0.2Mo	Bolts	A193	B7M	G41400	...	≤ 100
Cr-0.2Mo	Bolts	A320	L7M	G41400	...	≤ 64
5Cr	Bolts	A193	B5	S50100	...	≤ 100
Cr-Mo-V	Bolts	A193	B16	K14072	...	> 64, ≤ 100
Alloy steel	Bolts	A354	BC	...	...	...
Cr-Mo	Bolts	A193	B7	G41400	...	> 64, ≤ 100
Ni-Cr-Mo	Bolts	A320	L43	G43400	...	≤ 100
Cr-Mo	Bolts	A320	L7	G41400	...	≤ 64
Cr-Mo	Bolts	A320	L7A	G40370	...	≤ 64
Cr-Mo	Bolts	A320	L7B	G41370	...	≤ 64
Cr-Mo	Bolts	A320	L7C	G87400	...	≤ 64
Cr-Mo	Bolts	A193	B7	G41400	...	≤ 64
Cr-Mo-V	Bolts	A193	B16	K14072	...	≤ 64
Alloy steel	Bolts	A354	BD	...	...	≤ 64
5Cr	Nuts	A194	3	S50100	...	...
C-Mo	Nuts	A194	4	K14510	...	...
Cr-Mo	Nuts	A194	7	G41400	...	...
Cr-Mo	Nuts	A194	7M	G41400	...	...

**Table A-2M Design Stress Values for Bolting Materials (Metric)<sup>1</sup> (Cont'd)**  
 Numbers in Parentheses Refer to Notes for Appendix A Tables; Specifications Are ASTM Unless Otherwise Indicated

Notes	Min. Temp., °C (6)	Min. Tensile Strength, MPa	Min. Yield Strength, MPa	Max. Use Temp., °C	Allowable Stress, <i>S</i> , MPa (1), at Metal Temperature, °C					UNS No. or Type/ Grade	Spec. No.
					20	65	100	125	150		
					(8f)(8g)	-30	310	155	482		
(8f)(8g)	-30	345	172	482	86.2	86.2	86.2	86.2	86.2	50	A675
(8f)(8g)	-30	379	190	482	94.8	94.8	94.8	94.8	94.8	55	A675
(8f)(8g)	-30	414	414	260	103	103	103	103	103	B	A307
(8f)(8g)	-30	414	207	482	103	103	103	103	103	60	A675
(8g)	-30	448	224	538	112	112	112	112	112	65	A675
(8g)	-30	483	241	538	121	121	121	121	121	70	A675
(8g)	-30	724	558	343	140	140	140	140	140	...	A325
(8g)	-30	552	276	343	138	138	138	138	138	80	A675
(42)	-30	...	...	40	...	...	...	...	...	1	A194
(42)	-50	...	...	40	...	...	...	...	...	2, 2H	A194
(42)	-50	...	...	40	...	...	...	...	...	2HM	A194
(42b)	-30	...	...	40	...	...	...	...	...	A, hvy. hex	A563
...	-50	689	552	538	138	138	138	138	138	B7M	A193
...	-75	689	552	538	138	138	138	138	138	L7M	A320
(15)	-30	689	552	649	138	138	138	138	138	B5	A193
(15)	-30	758	655	593	152	152	152	152	152	B16	A193
(15)	-20	793	683	343	159	159	159	159	159	BC	A354
(15)	-40	793	655	538	159	159	159	159	159	B7	A193
(15)	-100	862	724	371	172	172	172	172	172	L43	A320
(15)	-100	862	724	371	172	172	172	172	172	L7	A320
(15)	-100	862	724	343	172	172	172	172	172	L7A	A320
(15)	-100	862	724	343	172	172	172	172	172	L7B	A320
(15)	-100	862	724	343	172	172	172	172	172	L7C	A320
...	-50	862	724	538	172	172	172	172	172	B7	A193
(15)	-30	862	724	593	172	172	172	172	172	B16	A193
(15)	-30	1034	896	343	207	207	207	207	207	BD	A354
(42)	-30	...	...	40	...	...	...	...	...	3	A194
(42)	-100	...	...	40	...	...	...	...	...	4	A194
(42)	-100	...	...	40	...	...	...	...	...	7	A194
(42)	-100	...	...	40	...	...	...	...	...	7M	A194

(12) **Table A-2M Design Stress Values for Bolting Materials (Metric)<sup>1</sup> (Cont'd)**

Numbers in Parentheses Refer to Notes for Appendix A Tables; Specifications Are ASTM Unless Otherwise Indicated

		Allowable Stress, S, MPa (1), at Metal Temperature, °C													
Spec. No.	UNS No. or Type/Grade	175	200	225	250	275	300	325	350	375	400	425	450	475	500
		A675	45	77.6	77.6	77.6	77.6	77.6	77.6	77.6	76.0	73.7	71.5	64.0	55.8
A675	50	86.2	86.2	86.2	86.2	86.2	86.2	86.2	84.5	81.9	73.3	64.0	55.8	43.9	31.7
A675	55	94.8	94.8	94.8	94.8	94.8	94.8	94.8	92.9	90.1	87.4	75.3	62.1	45.0	31.7
A307	B	103	103	103	103	103	...	...	...	...	...	...	...	...	...
A675	60	103	103	103	103	103	103	103	101	98.3	95.1	79.5	62.6	45.0	31.7
A675	65	112	112	112	112	112	112	112	110	106	95.1	79.5	64.4	47.7	32.5
A675	70	121	121	121	121	121	121	121	118	115	101	83.8	66.8	50.3	33.2
A325	...	140	140	140	140	140	140	140	140	...	...	...	...	...	...
A675	80	138	138	138	138	138	138	138	135	...	...	...	...	...	...
A194	1	...	...	...	...	...	...	...	...	...	...	...	...	...	...
A194	2, 2H	...	...	...	...	...	...	...	...	...	...	...	...	...	...
A194	2HM	...	...	...	...	...	...	...	...	...	...	...	...	...	...
A563	A, hvy. hex	...	...	...	...	...	...	...	...	...	...	...	...	...	...
A193	B7M	138	138	138	138	138	138	138	138	138	138	138	115	92.3	67.3
A320	L7M	138	138	138	138	138	138	138	138	138	138	138	115	92.3	67.3
A193	B5	138	138	138	138	138	138	138	138	138	138	138	138	80.6	61.7
A193	B16	152	152	152	152	152	152	152	152	152	152	152	148	132	113
A354	BC	159	159	159	159	159	159	159	159	...	...	...	...	...	...
A193	B7	159	159	159	159	159	159	159	159	159	159	159	116	92.3	67.3
A320	L43	172	172	172	172	172	172	172	172	172	...	...	...	...	...
A320	L7	172	172	172	172	172	172	172	172	172	...	...	...	...	...
A320	L7A	172	172	172	172	172	172	172	172	...	...	...	...	...	...
A320	L7B	172	172	172	172	172	172	172	172	...	...	...	...	...	...
A320	L7C	172	172	172	172	172	172	172	172	...	...	...	...	...	...
A193	B7	172	172	172	172	172	172	172	172	172	172	172	121	93.4	67.3
A193	B16	172	172	172	172	172	172	172	172	172	172	172	166	146	121
A354	BD	207	207	207	207	207	207	207	207	...	...	...	...	...	...
A194	3	...	...	...	...	...	...	...	...	...	...	...	...	...	...
A194	4	...	...	...	...	...	...	...	...	...	...	...	...	...	...
A194	7	...	...	...	...	...	...	...	...	...	...	...	...	...	...
A194	7M	...	...	...	...	...	...	...	...	...	...	...	...	...	...



**Table A-2M Design Stress Values for Bolting Materials (Metric)<sup>1</sup> (Cont'd)**

(12)

Numbers in Parentheses Refer to Notes for Appendix A Tables; Specifications Are ASTM Unless Otherwise Indicated

Allowable Stress, S, MPa (1), at Metal Temperature, °C														UNS No. or	Spec.
525	550	575	600	625	650	675	700	725	750	775	800	825	Type/ Grade	No.	
...	...	...	...	...	...	...	...	...	...	...	...	...	45	A675	
...	...	...	...	...	...	...	...	...	...	...	...	...	50	A675	
...	...	...	...	...	...	...	...	...	...	...	...	...	55	A675	
...	...	...	...	...	...	...	...	...	...	...	...	...	B	A307	
...	...	...	...	...	...	...	...	...	...	...	...	...	60	A675	
21.4	14.2	...	...	...	...	...	...	...	...	...	...	...	65	A675	
21.4	14.2	...	...	...	...	...	...	...	...	...	...	...	70	A675	
...	...	...	...	...	...	...	...	...	...	...	...	...	...	A325	
...	...	...	...	...	...	...	...	...	...	...	...	...	80	A675	
...	...	...	...	...	...	...	...	...	...	...	...	...	1	A194	
...	...	...	...	...	...	...	...	...	...	...	...	...	2, 2H	A194	
...	...	...	...	...	...	...	...	...	...	...	...	...	2HM	A194	
...	...	...	...	...	...	...	...	...	...	...	...	...	A, hvy. hex	A563	
41.6	23.5	...	...	...	...	...	...	...	...	...	...	...	B7M	A193	
41.6	23.5	...	...	...	...	...	...	...	...	...	...	...	L7M	A320	
46.4	34.7	25.5	17.8	11.4	6.7	...	...	...	...	...	...	...	B5	A193	
88.3	59.3	33.0	15.9	...	...	...	...	...	...	...	...	...	B16	A193	
...	...	...	...	...	...	...	...	...	...	...	...	...	BC	A354	
41.6	23.5	...	...	...	...	...	...	...	...	...	...	...	B7	A193	
...	...	...	...	...	...	...	...	...	...	...	...	...	L43	A320	
...	...	...	...	...	...	...	...	...	...	...	...	...	L7	A320	
...	...	...	...	...	...	...	...	...	...	...	...	...	L7A	A320	
...	...	...	...	...	...	...	...	...	...	...	...	...	L7B	A320	
...	...	...	...	...	...	...	...	...	...	...	...	...	L7C	A320	
41.6	23.5	...	...	...	...	...	...	...	...	...	...	...	B7	A193	
90.1	59.3	33.0	15.9	...	...	...	...	...	...	...	...	...	B16	A193	
...	...	...	...	...	...	...	...	...	...	...	...	...	BD	A354	
...	...	...	...	...	...	...	...	...	...	...	...	...	3	A194	
...	...	...	...	...	...	...	...	...	...	...	...	...	4	A194	
...	...	...	...	...	...	...	...	...	...	...	...	...	7	A194	
...	...	...	...	...	...	...	...	...	...	...	...	...	7M	A194	

(12) **Table A-2M Design Stress Values for Bolting Materials (Metric)<sup>1</sup> (Cont'd)**

Numbers in Parentheses Refer to Notes for Appendix A Tables; Specifications Are ASTM Unless Otherwise Indicated

Nominal Composition	Product Form	Spec. No.	Type/ Grade	UNS No.	Class/ Condition/ Temper	Size, mm
16Cr-12Ni-2Mo	Bolts	A193	B8M	S31600	2	> 32, ≤ 38
16Cr-12Ni-2Mo	Bolts	A320	B8M	S31600	2	> 32, ≤ 38
18Cr-8Ni	Bolts	A193	B8	S30400	2	> 32, ≤ 38
18Cr-8Ni	Bolts	A320	B8	S30400	2	> 32, ≤ 38
18Cr-10Ni-Cb	Bolts	A193	B8C	...	2	> 32, ≤ 38
18Cr-10Ni-Cb	Bolts	A320	B8C	S34700	2	> 32, ≤ 38
18Cr-10Ni-Ti	Bolts	A193	B8T	S32100	2	> 32, ≤ 38
18Cr-10Ni-Ti	Bolts	A320	B8T	S32100	2	> 32, ≤ 38
18Cr-9Ni	Bolts	A320	B8F	S30300	1	...
19Cr-9Ni	Bolts	A453	651B	...	...	> 75
19Cr-9Ni	Bolts	A453	651B	...	...	≤ 75
19Cr-9Ni	Bolts	A453	651A	...	...	> 75
19Cr-9Ni	Bolts	A453	651A	...	...	≤ 75
16Cr-12Ni-2Mo	Bolts	A193	B8M	S31600	2	> 25, ≤ 32
16Cr-12Ni-2Mo	Bolts	A320	B8M	S31600	2	> 25, ≤ 32
18Cr-10Ni-Cb	Bolts	A193	B8C	...	2	> 25, ≤ 32
18Cr-10Ni-Cb	Bolts	A320	B8C	S34700	2	> 25, ≤ 32
18Cr-8Ni	Bolts	A193	B8	S30400	2	> 25, ≤ 32
18Cr-8Ni	Bolts	A320	B8	S30400	2	> 25, ≤ 32
18Cr-10Ni-Ti	Bolts	A193	B8T	S32100	2	> 25, ≤ 32
18Cr-10Ni-Ti	Bolts	A320	B8T	S32100	2	> 25, ≤ 32
18Cr-10Ni-Ti	Bolts	A193	B8T	S32100	1	...
18Cr-8Ni	Bolts	A320	B8	S30400	1	...
18Cr-10Ni-Cb	Bolts	A193	B8C	...	1	...
16Cr-12Ni-2Mo	Bolts	A193	B8M	S31600	1	...
16Cr-12Ni-2Mo	Bolts	A193	B8M	S31600	2	> 19, ≤ 25
16Cr-12Ni-2Mo	Bolts	A320	B8M	S31600	2	> 19, ≤ 25
18Cr-10Ni-Cb	Bolts	A193	B8C	...	2	> 19, ≤ 25
18Cr-10Ni-Cb	Bolts	A320	B8C	S34700	2	> 19, ≤ 25
18Cr-8Ni	Bolts	A193	B8	S30400	2	> 19, ≤ 25
18Cr-8Ni	Bolts	A320	B8	S30400	2	> 19, ≤ 25
18Cr-10Ni-Ti	Bolts	A193	B8T	S32100	2	> 19, ≤ 25
18Cr-10Ni-Ti	Bolts	A320	B8T	S32100	2	> 19, ≤ 25
12Cr	Bolts	A437	B4C	S42200	...	...

**Table A-2M Design Stress Values for Bolting Materials (Metric)<sup>1</sup> (Cont'd)**  
 Numbers in Parentheses Refer to Notes for Appendix A Tables; Specifications Are ASTM Unless Otherwise Indicated

Notes	Min. Temp., °C (6)	Min. Tensile Strength, MPa	Min. Yield Strength, MPa	Max. Use Temp., °C	Allowable Stress, <i>S</i> , MPa (1), at Metal Temperature, °C					UNS No. or Type/ Grade	Spec. No.
					20	65	100	125	150		
					(15)(60)	-200	621	345	538		
(15)(60)	-200	621	345	538	129	126	118	112	107	B8M	A320
(15)(60)	-200	689	345	538	129	123	113	108	103	B8	A193
(15)(60)	-200	689	345	538	129	123	113	108	103	B8	A320
(15)(60)	-200	689	345	538	129	129	122	117	113	B8C	A193
(15)(60)	-200	689	345	538	129	129	122	117	113	B8C	A320
(15)(60)	-200	689	345	538	129	129	121	118	114	B8T	A193
(15)(60)	-200	689	345	538	129	129	121	118	114	B8T	A320
(8f)(15)(39)	-200	517	207	427	129	123	113	108	103	B8F	A320
(15)(35)	-30	655	345	538	164	164	160	156	152	651B	A453
(15)(35)	-30	655	414	538	164	164	160	156	152	651B	A453
(15)(35)	-30	689	414	538	164	164	160	156	152	651A	A453
(15)(35)	-30	689	483	538	164	164	160	156	152	651A	A453
(15)(60)	-200	724	448	538	129	126	118	112	112	B8M	A193
(15)(60)	-200	724	448	538	129	126	118	112	112	B8M	A320
(15)(60)	-200	724	448	538	129	129	122	117	113	B8C	A193
(15)(60)	-200	724	448	538	129	129	122	117	113	B8C	A320
(15)(60)	-200	724	448	538	129	123	113	112	112	B8	A193
(15)(60)	-200	724	448	538	129	123	113	112	112	B8	A320
(15)(60)	-200	724	448	538	129	129	121	118	114	B8T	A193
(15)(60)	-200	724	448	538	129	129	121	118	114	B8T	A320
(8f)(15)(28)	-200	517	207	816	129	129	121	118	114	B8T	A193
(8f)(15)(28)	-255	517	207	816	129	123	113	108	103	B8	A320
(8f)(15)(28)	-255	517	207	816	129	129	122	117	113	B8C	A193
(8f)(15)(28)	-200	517	207	816	129	126	118	112	107	B8M	A193
(15)(60)	-200	689	552	538	138	138	138	138	138	B8M	A193
(15)(60)	-200	689	552	538	138	138	138	138	138	B8M	A320
(15)(60)	-200	793	552	538	138	138	138	138	138	B8C	A193
(15)(60)	-200	793	552	538	138	138	138	138	138	B8C	A320
(15)(60)	-200	793	552	538	138	138	138	138	138	B8	A193
(15)(60)	-200	793	552	538	138	138	138	138	138	B8	A320
(15)(60)	-200	793	552	538	138	138	138	138	138	B8T	A193
(15)(60)	-200	793	552	538	138	138	138	138	138	B8T	A320
(35)	-30	793	586	371	147	147	147	147	147	B4C	A437

(12) **Table A-2M Design Stress Values for Bolting Materials (Metric)<sup>1</sup> (Cont'd)**

Numbers in Parentheses Refer to Notes for Appendix A Tables; Specifications Are ASTM Unless Otherwise Indicated

		Allowable Stress, S, MPa (1), at Metal Temperature, °C													
Spec. No.	UNS No. or Type/Grade	175	200	225	250	275	300	325	350	375	400	425	450	475	500
		A193	B8M	103	99.1	95.8	92.8	90.3	88.1	86.2	86.2	86.2	86.2	86.2	86.2
A320	B8M	103	99.1	95.8	92.8	90.3	88.1	86.2	86.2	86.2	86.2	86.2	86.2	86.2	86.2
A193	B8	99.0	95.6	92.7	90.1	87.9	86.2	86.2	86.2	86.2	86.2	86.2	86.2	86.2	86.2
A320	B8	99.0	95.6	92.7	90.1	87.9	86.2	86.2	86.2	86.2	86.2	86.2	86.2	86.2	86.2
A193	B8C	110	108	105	104	102	99.9	98.0	96.4	95.2	94.2	93.5	93.0	92.7	92.6
A320	B8C	110	108	105	104	102	99.9	98.0	96.4	95.2	94.2	93.5	93.0	92.7	92.6
A193	B8T	110	106	103	100	97.2	94.7	92.6	90.8	89.2	87.8	86.6	86.2	86.2	86.2
A320	B8T	110	106	103	100	97.2	94.7	92.6	90.8	89.2	87.8	86.6	86.2	86.2	86.2
A320	B8F	99.0	95.6	92.7	90.1	87.9	85.8	84.0	82.3	80.6	79.1	77.6	76.2	...	...
A453	651B	149	147	145	144	143	142	141	141	140	139	138	136	134	131
A453	651B	149	147	145	144	143	142	141	141	140	139	138	136	134	131
A453	651A	149	147	145	144	143	142	141	141	140	139	138	136	134	131
A453	651A	149	147	145	144	143	142	141	141	140	139	138	136	134	131
A193	B8M	112	112	112	112	112	112	112	112	112	112	112	112	112	112
A320	B8M	112	112	112	112	112	112	112	112	112	112	112	112	112	112
A193	B8C	112	112	112	112	112	112	112	112	112	112	112	112	112	112
A320	B8C	112	112	112	112	112	112	112	112	112	112	112	112	112	112
A193	B8	112	112	112	112	112	112	112	112	112	112	112	112	112	112
A320	B8	112	112	112	112	112	112	112	112	112	112	112	112	112	112
A193	B8T	112	112	112	112	112	112	112	112	112	112	112	112	112	112
A320	B8T	112	112	112	112	112	112	112	112	112	112	112	112	112	112
A193	B8T	110	106	103	99.9	97.2	94.7	92.6	90.8	89.2	87.8	86.6	85.6	84.7	84.0
A320	B8	99.0	95.6	92.7	90.1	87.9	85.8	84.0	82.3	80.6	79.1	77.6	76.2	74.8	73.4
A193	B8C	110	108	105	104	102	99.9	98.0	96.4	95.2	94.2	93.5	93.0	92.7	92.6
A193	B8M	103	99.1	95.8	92.8	90.3	88.1	86.2	84.6	83.3	82.2	81.2	80.4	79.7	79.0
A193	B8M	138	138	138	138	138	138	138	138	138	138	138	138	138	138
A320	B8M	138	138	138	138	138	138	138	138	138	138	138	138	138	138
A193	B8C	138	138	138	138	138	138	138	138	138	138	138	138	138	138
A320	B8C	138	138	138	138	138	138	138	138	138	138	138	138	138	138
A193	B8	138	138	138	138	138	138	138	138	138	138	138	138	138	138
A320	B8	138	138	138	138	138	138	138	138	138	138	138	138	138	138
A193	B8T	138	138	138	138	138	138	138	138	138	138	138	138	138	138
A320	B8T	138	138	138	138	138	138	138	138	138	138	138	138	138	138
A437	B4C	147	147	147	147	147	147	147	147	147	...	...	...	...	...

**Table A-2M Design Stress Values for Bolting Materials (Metric)<sup>1</sup> (Cont'd)**  
 Numbers in Parentheses Refer to Notes for Appendix A Tables; Specifications Are ASTM Unless Otherwise Indicated

Allowable Stress, S, MPa (1), at Metal Temperature, °C													UNS No. or	Spec.
525	550	575	600	625	650	675	700	725	750	775	800	825	Type/ Grade	No.
86.2	86.2	...	...	...	...	...	...	...	...	...	...	...	B8M	A193
86.2	86.2	...	...	...	...	...	...	...	...	...	...	...	B8M	A320
86.2	86.2	...	...	...	...	...	...	...	...	...	...	...	B8	A193
86.2	86.2	...	...	...	...	...	...	...	...	...	...	...	B8	A320
92.4	92.2	...	...	...	...	...	...	...	...	...	...	...	B8C	A193
92.4	92.2	...	...	...	...	...	...	...	...	...	...	...	B8C	A320
86.2	86.2	...	...	...	...	...	...	...	...	...	...	...	B8T	A193
86.2	86.2	...	...	...	...	...	...	...	...	...	...	...	B8T	A320
...	...	...	...	...	...	...	...	...	...	...	...	...	B8F	A320
128	124	...	...	...	...	...	...	...	...	...	...	...	651B	A453
128	124	...	...	...	...	...	...	...	...	...	...	...	651B	A453
128	124	...	...	...	...	...	...	...	...	...	...	...	651A	A453
128	124	...	...	...	...	...	...	...	...	...	...	...	651A	A453
112	112	...	...	...	...	...	...	...	...	...	...	...	B8M	A193
112	112	...	...	...	...	...	...	...	...	...	...	...	B8M	A320
112	112	...	...	...	...	...	...	...	...	...	...	...	B8C	A193
112	112	...	...	...	...	...	...	...	...	...	...	...	B8C	A320
112	112	...	...	...	...	...	...	...	...	...	...	...	B8	A193
112	112	...	...	...	...	...	...	...	...	...	...	...	B8	A320
112	112	...	...	...	...	...	...	...	...	...	...	...	B8T	A193
112	112	...	...	...	...	...	...	...	...	...	...	...	B8T	A320
83.2	82.4	59.2	44.0	32.9	24.5	18.3	12.5	8.5	6.2	4.3	2.8	1.7	B8T	A193
72.1	70.7	69.4	63.8	51.6	41.6	32.9	26.5	21.3	17.2	14.1	11.2	8.8	B8	A320
92.4	92.2	75.9	57.2	40.2	30.3	23.2	16.2	11.4	9.0	7.1	5.9	5.3	B8C	A193
78.4	77.7	76.9	75.9	65.0	50.5	39.2	30.4	23.6	18.4	14.3	11.1	8.6	B8M	A193
138	138	...	...	...	...	...	...	...	...	...	...	...	B8M	A193
138	138	...	...	...	...	...	...	...	...	...	...	...	B8M	A320
138	138	...	...	...	...	...	...	...	...	...	...	...	B8C	A193
138	138	...	...	...	...	...	...	...	...	...	...	...	B8C	A320
138	138	...	...	...	...	...	...	...	...	...	...	...	B8	A193
138	138	...	...	...	...	...	...	...	...	...	...	...	B8	A320
138	138	...	...	...	...	...	...	...	...	...	...	...	B8T	A193
138	138	...	...	...	...	...	...	...	...	...	...	...	B8T	A320
...	...	...	...	...	...	...	...	...	...	...	...	...	B4C	A437

(12) **Table A-2M Design Stress Values for Bolting Materials (Metric)<sup>1</sup> (Cont'd)**

Numbers in Parentheses Refer to Notes for Appendix A Tables; Specifications Are ASTM Unless Otherwise Indicated

Nominal Composition	Product Form	Spec. No.	Type/ Grade	UNS No.	Class/ Condition/ Temper	Size, mm
13Cr	Bolts	A193	B6	S41000	...	≤ 100
14Cr–24Ni	Bolts	A453	660	...	A	...
14Cr–24Ni	Bolts	A453	660	...	B	...
16Cr–12Ni–2Mo	Bolts	A193	B8M	S31600	2	≤ 19
16Cr–12Ni–2Mo	Bolts	A320	B8M	S31600	2	≤ 19
18Cr–10Ni–Cb	Bolts	A193	B8C	...	2	≤ 19
18Cr–10Ni–Cb	Bolts	A320	B8C	S34700	2	≤ 19
18Cr–8Ni	Bolts	A193	B8	S30400	2	≤ 19
18Cr–8Ni	Bolts	A320	B8	S30400	2	≤ 19
18Cr–10Ni–Ti	Bolts	A193	B8T	S32100	2	≤ 19
18Cr–10Ni–Ti	Bolts	A320	B8T	S32100	2	≤ 19
12Cr	Bolts	A437	B4B	S42225	...	...
12Cr	Nuts	A194	6	S41000	...	...
18Cr–9Ni	Nuts	A194	8FA	S30300	...	...
16Cr–12Ni–2Mo	Nuts	A194	8MA	S31600	...	...
18Cr–10Ni–Ti	Nuts	A194	8TA	S32100	...	...
18Cr–8Ni	Nuts	A194	8	S30400	...	...
18Cr–8Ni	Nuts	A194	8A	S30400	...	...
18Cr–10Ni–Cb	Nuts	A194	8CA	S34700	...	...
Naval brass	Bolts	B21	...	C46400	O60	...
Naval brass	Bolts	B21	...	C48200	O60	...
Naval brass	Bolts	B21	...	C48500	O60	...
Cu	Bolts	B187	...	C10200	O60	...
Cu	Bolts	B187	...	C11000	O60	...
Cu	Bolts	B187	...	C12000	O60	...
Cu	Bolts	B187	...	C12200	O60	...
Cu–Si	Bolts	B98	...	C65100	O60	...
Cu–Si	Bolts	B98	...	C65500	O60	...
Cu–Si	Bolts	B98	...	C66100	O60	...
Cu–Si	Bolts	B98	...	C65500	H01	...
Cu–Si	Bolts	B98	...	C66100	H01	...
Cu–Si	Bolts	B98	...	C65500	H02	≤ 50
Cu–Si	Bolts	B98	...	C66100	H02	≤ 50
Cu–Si	Bolts	B98	...	C65100	H06	> 25, ≤ 38
Cu–Si	Bolts	B98	...	C65100	H06	> 13, ≤ 25
Cu–Si	Bolts	B98	...	C65100	H06	≤ 13

**Table A-2M Design Stress Values for Bolting Materials (Metric)<sup>1</sup> (Cont'd)**  
 Numbers in Parentheses Refer to Notes for Appendix A Tables; Specifications Are ASTM Unless Otherwise Indicated

Notes	Min. Temp., °C (6)	Min. Tensile Strength, MPa	Min. Yield Strength, MPa	Max. Use Temp., °C	Allowable Stress, <i>S</i> , MPa (1), at Metal Temperature, °C					UNS No. or Type/ Grade	Spec. No.
					20	65	100	125	150		
					(15)(35)	-30	758	586	482		
(15)(35)	-30	896	586	538	155	155	155	155	155	660	A453
(15)(35)	-30	896	586	538	155	155	155	155	155	660	A453
(15)(60)	-200	758	655	538	152	152	152	152	152	B8M	A193
(15)(60)	-200	758	655	538	152	152	152	152	152	B8M	A320
(15)(60)	-200	862	689	538	172	172	172	172	172	B8C	A193
(15)(60)	-200	862	689	538	172	172	172	172	172	B8C	A320
(15)(60)	-200	862	689	538	172	172	172	172	172	B8	A193
(15)(60)	-200	862	689	538	172	172	172	172	172	B8	A320
(15)(60)	-200	862	689	538	172	172	172	172	172	B8T	A193
(15)(60)	-200	862	689	538	172	172	172	172	172	B8T	A320
(35)	-30	1000	724	343	181	181	181	181	181	B4B	A437
(35)(42)	-30	...	...	40	...	...	...	...	...	6	A194
(42)	-30	...	...	40	...	...	...	...	...	8FA	A194
(42)	-200	...	...	40	...	...	...	...	...	8MA	A194
(42)	-200	...	...	40	...	...	...	...	...	8TA	A194
(42)	-255	...	...	40	...	...	...	...	...	8	A194
(42)	-255	...	...	40	...	...	...	...	...	8A	A194
(42)	-255	...	...	40	...	...	...	...	...	8CA	A194
(8f)	-200	345	138	149	86.2	86.2	86.2	86.2	86.2	C46400	B21
(8f)	-200	345	138	149	86.2	86.2	86.2	86.2	86.2	C48200	B21
(8f)	-200	345	138	149	86.2	86.2	86.2	86.2	86.2	C48500	B21
(8f)	-200	207	69	149	46.0	38.8	37.2	36.5	34.2	C10200	B187
(8f)	-200	207	69	149	46.0	38.8	37.2	36.5	34.2	C11000	B187
(8f)	-200	207	69	149	46.0	38.8	37.2	36.5	34.2	C12000	B187
(8f)	-200	207	69	149	46.0	38.8	37.2	36.5	34.2	C12200	B187
(8f)(52)	-200	276	83	149	55.2	55.2	55.2	54.0	48.3	C65100	B98
(8f)(52)	-200	359	103	149	68.9	68.9	68.9	68.9	68.8	C65500	B98
(8f)(52)	-200	359	103	149	68.9	68.9	68.9	68.9	68.8	C66100	B98
(8f)	-200	379	165	149	68.9	68.9	68.9	68.9	68.8	C65500	B98
(8f)	-200	379	165	149	68.9	68.9	68.9	68.9	68.8	C66100	B98
...	-200	483	262	149	68.9	68.9	68.9	68.9	68.8	C65500	B98
...	-200	483	262	149	68.9	68.9	68.9	68.9	68.8	C66100	B98
...	-200	517	276	149	68.9	68.9	68.9	68.9	68.9	C65100	B98
...	-200	517	310	149	77.6	77.6	77.6	77.6	77.6	C65100	B98
...	-200	586	379	149	94.8	94.8	94.8	94.8	94.8	C65100	B98

(12) **Table A-2M Design Stress Values for Bolting Materials (Metric)<sup>1</sup> (Cont'd)**

Numbers in Parentheses Refer to Notes for Appendix A Tables; Specifications Are ASTM Unless Otherwise Indicated

		Allowable Stress, S, MPa (1), at Metal Temperature, °C													
Spec. No.	UNS No. or Type/Grade	175	200	225	250	275	300	325	350	375	400	425	450	475	500
		A193	B6	147	147	147	147	147	147	147	147	147	147	147	147
A453	660	155	155	154	153	152	150	149	148	147	147	147	147	147	147
A453	660	155	155	154	153	152	150	149	148	147	147	147	147	147	147
A193	B8M	152	152	152	152	152	152	152	152	152	152	152	152	152	152
A320	B8M	152	152	152	152	152	152	152	152	152	152	152	152	152	152
A193	B8C	172	172	172	172	171	170	170	169	169	169	169	169	168	167
A320	B8C	172	172	172	172	171	170	170	169	169	169	169	169	168	167
A193	B8	172	172	172	172	172	172	172	172	172	172	172	172	172	172
A320	B8	172	172	172	172	172	172	172	172	172	172	172	172	172	172
A193	B8T	172	172	172	172	172	172	172	172	172	172	172	172	172	172
A320	B8T	172	172	172	172	172	172	172	172	172	172	172	172	172	172
A437	B4B	181	181	181	181	181	181	181	181	...	...	...	...	...	...
A194	6	...	...	...	...	...	...	...	...	...	...	...	...	...	...
A194	8FA	...	...	...	...	...	...	...	...	...	...	...	...	...	...
A194	8MA	...	...	...	...	...	...	...	...	...	...	...	...	...	...
A194	8TA	...	...	...	...	...	...	...	...	...	...	...	...	...	...
A194	8	...	...	...	...	...	...	...	...	...	...	...	...	...	...
A194	8A	...	...	...	...	...	...	...	...	...	...	...	...	...	...
A194	8CA	...	...	...	...	...	...	...	...	...	...	...	...	...	...
B21	C46400	...	...	...	...	...	...	...	...	...	...	...	...	...	...
B21	C48200	...	...	...	...	...	...	...	...	...	...	...	...	...	...
B21	C48500	...	...	...	...	...	...	...	...	...	...	...	...	...	...
B187	C10200	...	...	...	...	...	...	...	...	...	...	...	...	...	...
B187	C11000	...	...	...	...	...	...	...	...	...	...	...	...	...	...
B187	C12000	...	...	...	...	...	...	...	...	...	...	...	...	...	...
B187	C12200	...	...	...	...	...	...	...	...	...	...	...	...	...	...
B98	C65100	...	...	...	...	...	...	...	...	...	...	...	...	...	...
B98	C65500	...	...	...	...	...	...	...	...	...	...	...	...	...	...
B98	C66100	...	...	...	...	...	...	...	...	...	...	...	...	...	...
B98	C65500	...	...	...	...	...	...	...	...	...	...	...	...	...	...
B98	C66100	...	...	...	...	...	...	...	...	...	...	...	...	...	...
B98	C65500	...	...	...	...	...	...	...	...	...	...	...	...	...	...
B98	C66100	...	...	...	...	...	...	...	...	...	...	...	...	...	...
B98	C65100	...	...	...	...	...	...	...	...	...	...	...	...	...	...
B98	C65100	...	...	...	...	...	...	...	...	...	...	...	...	...	...
B98	C65100	...	...	...	...	...	...	...	...	...	...	...	...	...	...



**Table A-2M Design Stress Values for Bolting Materials (Metric)<sup>1</sup> (Cont'd)**

(12)

Numbers in Parentheses Refer to Notes for Appendix A Tables; Specifications Are ASTM Unless Otherwise Indicated

Allowable Stress, S, MPa (1), at Metal Temperature, °C														UNS No. or	Spec.
525	550	575	600	625	650	675	700	725	750	775	800	825	Type/ Grade	No.	
...	...	...	...	...	...	...	...	...	...	...	...	...	B6	A193	
147	147	...	...	...	...	...	...	...	...	...	...	...	660	A453	
147	147	...	...	...	...	...	...	...	...	...	...	...	660	A453	
152	152	...	...	...	...	...	...	...	...	...	...	...	B8M	A193	
152	152	...	...	...	...	...	...	...	...	...	...	...	B8M	A320	
166	164	...	...	...	...	...	...	...	...	...	...	...	B8C	A193	
166	164	...	...	...	...	...	...	...	...	...	...	...	B8C	A320	
168	162	...	...	...	...	...	...	...	...	...	...	...	B8	A193	
168	162	...	...	...	...	...	...	...	...	...	...	...	B8	A320	
172	172	...	...	...	...	...	...	...	...	...	...	...	B8T	A193	
172	172	...	...	...	...	...	...	...	...	...	...	...	B8T	A320	
...	...	...	...	...	...	...	...	...	...	...	...	...	B4B	A437	
...	...	...	...	...	...	...	...	...	...	...	...	...	6	A194	
...	...	...	...	...	...	...	...	...	...	...	...	...	8FA	A194	
...	...	...	...	...	...	...	...	...	...	...	...	...	8MA	A194	
...	...	...	...	...	...	...	...	...	...	...	...	...	8TA	A194	
...	...	...	...	...	...	...	...	...	...	...	...	...	8	A194	
...	...	...	...	...	...	...	...	...	...	...	...	...	8A	A194	
...	...	...	...	...	...	...	...	...	...	...	...	...	8CA	A194	
...	...	...	...	...	...	...	...	...	...	...	...	...	C46400	B21	
...	...	...	...	...	...	...	...	...	...	...	...	...	C48200	B21	
...	...	...	...	...	...	...	...	...	...	...	...	...	C48500	B21	
...	...	...	...	...	...	...	...	...	...	...	...	...	C10200	B187	
...	...	...	...	...	...	...	...	...	...	...	...	...	C11000	B187	
...	...	...	...	...	...	...	...	...	...	...	...	...	C12000	B187	
...	...	...	...	...	...	...	...	...	...	...	...	...	C12200	B187	
...	...	...	...	...	...	...	...	...	...	...	...	...	C65100	B98	
...	...	...	...	...	...	...	...	...	...	...	...	...	C65500	B98	
...	...	...	...	...	...	...	...	...	...	...	...	...	C66100	B98	
...	...	...	...	...	...	...	...	...	...	...	...	...	C65500	B98	
...	...	...	...	...	...	...	...	...	...	...	...	...	C66100	B98	
...	...	...	...	...	...	...	...	...	...	...	...	...	C65500	B98	
...	...	...	...	...	...	...	...	...	...	...	...	...	C66100	B98	
...	...	...	...	...	...	...	...	...	...	...	...	...	C65100	B98	
...	...	...	...	...	...	...	...	...	...	...	...	...	C65100	B98	
...	...	...	...	...	...	...	...	...	...	...	...	...	C65100	B98	

(12) **Table A-2M Design Stress Values for Bolting Materials (Metric)<sup>1</sup> (Cont'd)**

Numbers in Parentheses Refer to Notes for Appendix A Tables; Specifications Are ASTM Unless Otherwise Indicated

Nominal Composition	Product Form	Spec. No.	Type/ Grade	UNS No.	Class/ Condition/ Temper	Size, mm
Al-Si-bronze	Bolts	B150	...	C64200	HR50	> 25, ≤ 50
Al-Si-bronze	Bolts	B150	...	C64200	HR50	> 13, ≤ 25
Al-Si-bronze	Bolts	B150	...	C64200	HR50	≤ 13
Al-bronze	Bolts	B150	...	C61400	HR50	> 25, ≤ 50
Al-bronze	Bolts	B150	...	C61400	HR50	> 13, ≤ 25
Al-bronze	Bolts	B150	...	C61400	HR50	≤ 13
Al-bronze	Bolts	B150	...	C63000	HR50	> 50, ≤ 75
Al-bronze	Bolts	B150	...	C63000	M20	> 75, ≤ 100
Al-bronze	Bolts	B150	...	C63000	HR50	> 25, ≤ 50
Al-bronze	Bolts	B150	...	C63000	HR50	> 13, ≤ 25
Low C-Ni	Bolts	B160	...	N02201	Hot fin./ann.	...
Ni	Bolts	B160	...	N02200	Hot fin.	...
Ni	Bolts	B160	...	N02200	Annealed	...
Ni	Bolts	B160	...	N02200	Cold drawn	...
Ni-Cu	Bolts	B164	...	N04400	C.D./str. rel.	...
Ni-Cu	Bolts	B164	...	N04405	Cold drawn	...
Ni-Cu	Bolts	B164	...	N04400	Cold drawn	...
Ni-Cu	Bolts	B164	...	N04400	Annealed	...
Ni-Cu	Bolts	B164	...	N04405	Annealed	...
Ni-Cu	Rod	B164	...	N04405	Hot fin.	≤ 75
Ni-Cu	Hex	B164	...	N04400	Hot fin.	≥ 54, ≤ 100
Ni-Cu	All except hex	B164	...	N04400	Hot fin.	> 54
Ni-Cr-Fe	Rod	B166	...	N06600	Cold drawn	≤ 75
Ni-Cr-Fe	Rod	B166	...	N06600	Hot fin.	≤ 75
Ni-Cr-Fe	Bolts	B166	...	N06600	Annealed	...
Ni-Cr-Fe	Rod	B166	...	N06600	Hot fin.	> 75
Ni-Mo	Bolts	B335	...	N10001	Annealed	...
Ni-Mo-Cr	Bolts	B574	...	N10276	Sol. ann.	...
Aluminum alloy	Bolts	B211	6061	A96061	T6, T651 wld.	≥ 3, ≤ 200
Aluminum alloy	Bolts	B211	6061	A96061	T6, T651	≥ 3, ≤ 200
Aluminum alloy	Bolts	B211	2024	A92024	T4	> 165, ≤ 200
Aluminum alloy	Bolts	B211	2024	A92024	T4	> 114, ≤ 165
Aluminum alloy	Bolts	B211	2024	A92024	T4	> 13, ≤ 114
Aluminum alloy	Bolts	B211	2024	A92024	T4	≥ 3, < 13
Aluminum alloy	Bolts	B211	2014	A92014	T6, T651	≥ 3, ≤ 200

**Table A-2M Design Stress Values for Bolting Materials (Metric)<sup>1</sup> (Cont'd)**  
 Numbers in Parentheses Refer to Notes for Appendix A Tables; Specifications Are ASTM Unless Otherwise Indicated

Notes	Min. Temp., °C (6)	Min. Tensile Strength, MPa	Min. Yield Strength, MPa	Max. Use Temp., °C	Allowable Stress, <i>S</i> , MPa (1), at Metal Temperature, °C					UNS No. or Type/Grade	Spec. No.
					20	65	100	125	150		
					...	-200	552	290	316		
...	-200	586	290	316	115	100	95.2	93.6	92.1	C64200	B150
...	-200	621	290	316	115	100	95.2	93.6	92.1	C64200	B150
...	-200	483	221	260	121	121	121	121	121	C61400	B150
...	-200	517	241	260	121	121	121	121	121	C61400	B150
...	-200	552	276	260	124	124	124	124	124	C61400	B150
...	-200	586	293	371	147	147	147	146	145	C63000	B150
...	-200	586	293	371	138	137	134	133	132	C63000	B150
...	-200	621	310	371	155	155	155	155	155	C63000	B150
...	-200	689	345	371	155	155	155	155	155	C63000	B150
(8f)	-200	345	69	649	46.0	44.8	44.0	43.6	43.3	N02201	B160
(8f)	-200	414	103	316	68.9	68.9	68.9	68.9	68.9	N02200	B160
(8f)	-200	379	103	316	68.9	68.9	68.9	68.9	68.9	N02200	B160
...	-200	448	276	316	68.9	68.9	68.9	68.9	68.9	N02200	B160
(54)	-200	579	345	316	115	106	99.7	96.2	93.6	N04400	B164
(54)	-200	586	345	260	115	106	99.7	96.2	93.6	N04405	B164
(54)	-200	586	379	260	115	106	99.7	96.2	94.8	N04400	B164
(8f)	-200	483	172	482	115	106	99.7	96.2	93.6	N04400	B164
(8f)	-200	483	172	482	115	106	99.7	96.2	93.6	N04405	B164
...	-200	517	241	482	115	106	99.7	96.2	93.6	N04405	B164
(8f)	-200	517	207	482	115	106	99.7	96.2	93.6	N04400	B164
...	-200	552	276	482	115	106	99.7	96.2	93.6	N04400	B164
(41)(54)	-200	724	552	260	138	138	138	138	138	N06600	B166
...	-200	621	276	649	115	112	109	107	105	N06600	B166
...	-200	552	241	649	115	112	109	107	105	N06600	B166
...	-200	586	241	649	115	112	109	107	105	N06600	B166
...	-200	689	317	427	172	172	172	172	172	N10001	B335
...	-200	689	283	538	172	172	170	164	158	N10276	B574
(8f)(43)(63)	-270	165	...	204	33.1	33.1	33.1	33.1	33.1	A96061	B211
(43)(63)	-270	290	241	204	57.9	57.9	57.9	57.9	57.9	A96061	B211
(43)(63)	-270	400	262	204	65.5	65.5	65.5	65.5	65.5	A92024	B211
(43)(63)	-270	427	276	204	68.9	68.9	68.9	68.9	68.9	A92024	B211
(43)(63)	-270	427	290	204	72.4	72.4	72.4	72.4	70.2	A92024	B211
(43)(63)	-270	427	310	204	77.6	77.6	77.6	77.6	70.2	A92024	B211
(43)(63)	-270	448	379	204	89.6	89.6	89.6	89.6	84.2	A92014	B211

(12) **Table A-2M Design Stress Values for Bolting Materials (Metric)<sup>1</sup> (Cont'd)**

Numbers in Parentheses Refer to Notes for Appendix A Tables; Specifications Are ASTM Unless Otherwise Indicated

		Allowable Stress, S, MPa (1), at Metal Temperature, °C													
Spec. No.	UNS No. or Type/Grade	Allowable Stress, S, MPa (1), at Metal Temperature, °C													
		175	200	225	250	275	300	325	350	375	400	425	450	475	500
B150	C64200	89.1	76.9	57.7	40.9	24.1	14.5	10.3	...	...	...	...	...	...	...
B150	C64200	89.1	76.9	57.7	40.9	24.1	14.5	10.3	...	...	...	...	...	...	...
B150	C64200	89.1	76.9	57.7	40.9	24.1	14.5	10.3	...	...	...	...	...	...	...
B150	C61400	121	119	115	111	109	...	...	...	...	...	...	...	...	...
B150	C61400	121	119	115	111	109	...	...	...	...	...	...	...	...	...
B150	C61400	124	122	118	115	112	...	...	...	...	...	...	...	...	...
B150	C63000	144	143	140	136	126	97.2	73.9	54.4	39.3	...	...	...	...	...
B150	C63000	131	130	128	124	117	97.2	73.9	54.4	39.3	...	...	...	...	...
B150	C63000	155	155	153	148	126	97.2	73.9	54.4	39.3	...	...	...	...	...
B150	C63000	155	155	153	148	126	97.2	73.9	54.4	39.3	...	...	...	...	...
B160	N02201	43.1	43.0	43.0	43.0	43.0	43.0	43.0	42.9	42.7	42.2	41.6	40.7	33.1	27.4
B160	N02200	68.9	68.9	68.9	68.9	68.9	68.9	68.9	...	...	...	...	...	...	...
B160	N02200	68.9	68.9	68.9	68.9	68.9	68.9	68.9	...	...	...	...	...	...	...
B160	N02200	68.9	68.9	68.9	68.9	68.9	68.9	68.9	...	...	...	...	...	...	...
B164	N04400	91.9	90.9	90.4	90.4	90.4	90.4	90.4	...	...	...	...	...	...	...
B164	N04405	91.9	90.9	90.4	90.4	90.4	...	...	...	...	...	...	...	...	...
B164	N04400	94.8	94.8	94.8	94.8	94.8	...	...	...	...	...	...	...	...	...
B164	N04400	91.9	90.9	90.4	90.4	90.4	90.4	90.4	90.4	89.8	89.0	88.0	87.0	86.4	75.6
B164	N04405	91.9	90.9	90.4	90.4	90.4	90.4	90.4	90.4	89.8	89.0	88.0	87.0	86.4	75.6
B164	N04405	91.9	90.9	90.4	90.4	90.4	90.4	90.4	90.4	89.8	89.0	88.0	87.0	86.4	75.6
B164	N04400	91.9	90.9	90.4	90.4	90.4	90.4	90.4	90.4	89.8	89.0	88.0	87.0	86.4	75.6
B164	N04400	91.9	90.9	90.4	90.4	90.4	90.4	90.4	90.4	89.8	89.0	88.0	87.0	86.4	75.6
B166	N06600	138	138	138	138	138	...	...	...	...	...	...	...	...	...
B166	N06600	103	101	99.0	97.3	95.6	94.0	92.6	91.2	89.9	88.7	87.7	86.7	85.8	75.6
B166	N06600	103	101	99.0	97.3	95.6	94.0	92.6	91.2	89.9	88.7	87.7	86.7	85.8	75.6
B166	N06600	103	101	99.0	97.3	95.6	94.0	92.6	91.2	89.9	88.7	87.7	86.7	85.8	75.6
B335	N10001	171	170	169	168	166	164	162	160	158	157	156	155	...	...
B574	N10276	153	148	143	139	135	131	128	125	122	120	118	117	115	115
B211	A96061	33.1	26.4	16.1	...	...	...	...	...	...	...	...	...	...	...
B211	A96061	47.3	34.9	21.1	...	...	...	...	...	...	...	...	...	...	...
B211	A92024	43.1	29.3	29.3	...	...	...	...	...	...	...	...	...	...	...
B211	A92024	46.1	31.3	31.3	...	...	...	...	...	...	...	...	...	...	...
B211	A92024	46.2	31.2	31.2	...	...	...	...	...	...	...	...	...	...	...
B211	A92024	46.2	31.2	31.2	...	...	...	...	...	...	...	...	...	...	...
B211	A92014	46.9	26.2	20.2	...	...	...	...	...	...	...	...	...	...	...

**Table A-2M Design Stress Values for Bolting Materials (Metric)<sup>1</sup> (Cont'd)**  
 Numbers in Parentheses Refer to Notes for Appendix A Tables; Specifications Are ASTM Unless Otherwise Indicated

Allowable Stress, S, MPa (1), at Metal Temperature, °C													UNS No. or	Spec.
525	550	575	600	625	650	675	700	725	750	775	800	825	Type/ Grade	No.
...	...	...	...	...	...	...	...	...	...	...	...	...	C64200	B150
...	...	...	...	...	...	...	...	...	...	...	...	...	C64200	B150
...	...	...	...	...	...	...	...	...	...	...	...	...	C64200	B150
...	...	...	...	...	...	...	...	...	...	...	...	...	C61400	B150
...	...	...	...	...	...	...	...	...	...	...	...	...	C61400	B150
...	...	...	...	...	...	...	...	...	...	...	...	...	C61400	B150
...	...	...	...	...	...	...	...	...	...	...	...	...	C63000	B150
...	...	...	...	...	...	...	...	...	...	...	...	...	C63000	B150
...	...	...	...	...	...	...	...	...	...	...	...	...	C63000	B150
...	...	...	...	...	...	...	...	...	...	...	...	...	C63000	B150
22.8	18.7	15.6	12.9	10.0	8.2	...	...	...	...	...	...	...	N02201	B160
...	...	...	...	...	...	...	...	...	...	...	...	...	N02200	B160
...	...	...	...	...	...	...	...	...	...	...	...	...	N02200	B160
...	...	...	...	...	...	...	...	...	...	...	...	...	N02200	B160
...	...	...	...	...	...	...	...	...	...	...	...	...	N04400	B164
...	...	...	...	...	...	...	...	...	...	...	...	...	N04405	B164
...	...	...	...	...	...	...	...	...	...	...	...	...	N04400	B164
...	...	...	...	...	...	...	...	...	...	...	...	...	N04400	B164
...	...	...	...	...	...	...	...	...	...	...	...	...	N04405	B164
...	...	...	...	...	...	...	...	...	...	...	...	...	N04405	B164
...	...	...	...	...	...	...	...	...	...	...	...	...	N04400	B164
...	...	...	...	...	...	...	...	...	...	...	...	...	N04400	B164
...	...	...	...	...	...	...	...	...	...	...	...	...	N06600	B166
58.4	39.7	27.0	19.2	15.0	13.7	...	...	...	...	...	...	...	N06600	B166
58.4	39.7	27.0	19.2	15.0	13.7	...	...	...	...	...	...	...	N06600	B166
58.4	39.7	27.0	19.2	15.0	13.7	...	...	...	...	...	...	...	N06600	B166
...	...	...	...	...	...	...	...	...	...	...	...	...	N10001	B335
114	114	...	...	...	...	...	...	...	...	...	...	...	N10276	B574
...	...	...	...	...	...	...	...	...	...	...	...	...	A96061	B211
...	...	...	...	...	...	...	...	...	...	...	...	...	A96061	B211
...	...	...	...	...	...	...	...	...	...	...	...	...	A92024	B211
...	...	...	...	...	...	...	...	...	...	...	...	...	A92024	B211
...	...	...	...	...	...	...	...	...	...	...	...	...	A92024	B211
...	...	...	...	...	...	...	...	...	...	...	...	...	A92024	B211
...	...	...	...	...	...	...	...	...	...	...	...	...	A92014	B211

# **APPENDIX B STRESS TABLES AND ALLOWABLE PRESSURE TABLES FOR NONMETALS**

The data and Notes in Appendix B are requirements of this Code.

## Specification Index for Appendix B

(12)

Spec. No.	Title [Note (1)]
<b>ASTM</b>	
C361	Reinforced Concrete Low-Head Pressure Pipe
C582	Contact-Molded Reinforced Thermosetting Plastic (RTP) Laminates for Corrosion Resistant Equipment
C599	Process Glass Pipe and Fittings
D1785	PVC Plastic Pipe, Schedules 40, 80, and 120
D2239	PE Plastic Pipe (SIDR-PR) Based on Controlled Inside Diameter
D2241	PVC Plastic Pressure-Rated Pipe (SDR Series)
D2447	PE Plastic Pipe, Schedules 40 and 80, Based on Outside Diameter
D2513	Thermoplastic Gas Pressure Pipe, Tubing and Fittings
D2517	Reinforced Epoxy Resin Gas Pressure Pipe and Fittings
D2662	PB Plastic Pipe (SDR-PR)
D2666	PB Plastic Tubing
D2672	Joints for IPS PVC Pipe Using Solvent Cement
D2737	PE Plastic Tubing
D2846	CPVC Plastic Hot- and Cold-Water Distribution Systems
D2996	Filament-Wound Fiberglass RTR Pipe [Note (2)]
D2997	Centrifugally Cast RTR Pipe [Note (2)]
D3000	PB Plastic Pipe (SDR-PR) Based on Outside Diameter
D3035	PE Plastic Pipe (DR-PR) Based on Controlled Outside Diameter
D3309	PB Plastic Hot- and Cold-Water Distribution Systems
D3517	Fiberglass RTR Pressure Pipe [Note (2)]
D3754	Fiberglass RTR Sewer and Industrial Pressure Pipe [Note (2)]
F441	CPVC Plastic Pipe, Schedules 40 and 80
F442	CPVC Plastic Pipe (SDR-PR)
F2389	Pressure-Rated Polypropylene (PP) Piping Systems
<b>AWWA</b>	
C300	Reinforced Concrete Pressure Pipe, Steel Cylinder Type, for Water and Other Liquids
C301	Prestressed Concrete Pressure, Pipe Steel Cylinder Type, for Water and Other Liquids
C302	Reinforced Concrete Pressure Pipe, Noncylinder Type
C950	Fiberglass Pressure Pipe

GENERAL NOTE: It is not practical to refer to a specific edition of each standard throughout the Code text. Instead, the approved edition references, along with the names and addresses of the sponsoring organizations, are shown in Appendix E.

## NOTES:

- (1) For names of plastics identified only by abbreviation, see para. A326.4.
- (2) The term *fiberglass RTR* takes the place of the ASTM designation "*fiberglass*" (*glass-fiber-reinforced thermosetting resin*).

## NOTES FOR APPENDIX B TABLES

NOTES:

- (1) These recommended limits are for low pressure applications with water and other fluids that do not significantly affect the properties of the thermoplastic. The upper temperature limits are reduced at higher pressures, depending on the combination of fluid and expected service life. Lower temperature limits are affected more by the environment, safeguarding, and installation conditions than by strength.
- (2) These recommended limits apply only to materials listed. Manufacturers should be consulted for temperature limits on specific types and kinds of materials not listed.
- (3) Use these hydrostatic design stress (HDS) values at all lower temperatures.
- (4) The intent of listing in this Table is to include all the types, grades, classes, and hydrostatic design bases in the listed specifications.



**Table B-1 Hydrostatic Design Stresses (HDS) and Recommended Temperature Limits for Thermoplastic Pipe**

(12)

ASTM Spec. No.	Pipe Designation	Material Designation	Cell Class	Recommended Temperature Limits [Notes (1), (2)]				Hydrostatic Design Stress at					
				Minimum		Maximum		23°C [Note (3)]	73°F [Note (3)]	38°C	100°F	82°C	180°F
				°C	°F	°C	°F	MPa	ksi	MPa	ksi	MPa	ksi
...	PR	ABS	43232	-40	-40	80	176	...	...	...	...	...	...
D2846	SDR11	CPVC4120	23447	...	...	82	180	13.8	2.0	...	...	3.45	0.5
F441	Sch. 40	CPVC4120	23447	23	73	93.3	200	13.8	2.0	...	...	3.45	0.5
F441	Sch. 80	CPVC4120	23447	23	73	93.3	200	13.8	2.0	...	...	3.45	0.5
F442	SDR-PR	CPVC4120	23447	23	73	93.3	200	13.8	2.0	11.3	1.64	3.45	0.5
D3309	SDR11	PB2110	...	23	73	93.3	200	6.9	1.0	...	...	3.45	0.5
D2239	SIDR-PR	PE1404	...	23	73	...	...	2.76	0.40	...	...	...	...
D2239	SIDR-PR	PE2305	...	23	73	...	...	3.45	0.50	...	...	...	...
D2239	SIDR-PR	PE2306	...	23	73	...	...	4.34	0.63	...	...	...	...
D2239	SIDR-PR	PE2406	...	23	73	...	...	4.34	0.63	...	...	...	...
D2239	SIDR-PR	PE3306	...	23	73	...	...	4.34	0.63	...	...	...	...
D2239	SIDR-PR	PE3406	...	23	73	...	...	4.34	0.63	...	...	...	...
D2239	SIDR-PR	PE3408	...	23	73	...	...	5.51	0.80	...	...	...	...
D2447	Sch. 40 and 80	PE1404	...	23	73	...	...	2.76	0.40	...	...	...	...
D2447	Sch. 40 and 80	PE2305	...	23	73	...	...	3.45	0.50	...	...	...	...
D2447	Sch. 40 and 80	PE2306	...	23	73	...	...	4.34	0.63	...	...	...	...
D2447	Sch. 40 and 80	PE2406	...	23	73	...	...	4.34	0.63	...	...	...	...
D2447	Sch. 40 and 80	PE3306	...	23	73	...	...	4.34	0.63	...	...	...	...
D2447	Sch. 40 and 80	PE3406	...	23	73	...	...	4.34	0.63	...	...	...	...
D2737	SDR7.3, SDR9, SDR11	PE2305	...	23	73	...	...	3.45	0.50	...	...	...	...
D2737	SDR7.3, SDR9, SDR11	PE2306	...	23	73	...	...	4.34	0.63	...	...	...	...
D2737	SDR7.3, SDR9, SDR11	PE2406	...	23	73	...	...	4.34	0.63	...	...	...	...
D2737	SDR7.3, SDR9, SDR11	PE3306	...	23	73	...	...	4.34	0.63	...	...	...	...
D2737	SDR7.3, SDR9, SDR11	PE3406	...	23	73	...	...	4.34	0.63	...	...	...	...
D2737	SDR7.3, SDR9, SDR11	PE3408	...	23	73	...	...	5.51	0.80	...	...	...	...
D3035	DR-PR	PE1404	...	23	73	...	...	2.76	0.40	...	...	...	...
D3035	DR-PR	PE2606	...	23	73	...	...	4.34	0.63	...	...	...	...
D3035	DR-PR	PE2708	...	23	73	...	...	5.51	0.80	...	...	...	...
D3035	DR-PR	PE3608	...	23	73	...	...	5.51	0.80	...	...	...	...
D3035	DR-PR	PE3708	...	23	73	...	...	5.51	0.80	...	...	...	...
D3035	DR-PR	PE3710	...	23	73	...	...	6.89	1.00	...	...	...	...
D3035	DR-PR	PE4608	...	23	73	...	...	5.51	0.80	...	...	...	...
D3035	DR-PR	PE4708	...	23	73	...	...	5.51	0.80	...	...	...	...
D3035	DR-PR	PE4710	...	23	73	...	...	6.89	1.00	...	...	...	...
F714	SDR-PR	PE1404	...	23	73	...	...	2.76	0.40	...	...	...	...
F714	SDR-PR	PE2606	...	23	73	...	...	4.34	0.63	...	...	...	...
F714	SDR-PR	PE2708	...	23	73	...	...	5.51	0.80	...	...	...	...
F714	SDR-PR	PE3608	...	23	73	...	...	5.51	0.80	...	...	...	...

(12)

**Table B-1 Hydrostatic Design Stresses (HDS) and Recommended Temperature Limits for Thermoplastic Pipe (Cont'd)**

ASTM Spec. No.	Pipe Designation	Material Designation	Cell Class	Recommended Temperature Limits [Notes (1), (2)]				Hydrostatic Design Stress at					
				Minimum		Maximum		23°C [Note (3)]	73°F [Note (3)]	38°C	100°F	82°C	180°F
				°C	°F	°C	°F	MPa	ksi	MPa	ksi	MPa	ksi
F714	SDR-PR	PE3708	...	23	73	...	...	5.51	0.80	...	...	...	...
F714	SDR-PR	PE3710	...	23	73	...	...	6.89	1.00	...	...	...	...
F714	SDR-PR	PE4608	...	23	73	...	...	5.51	0.80	...	...	...	...
F714	SDR-PR	PE4708	...	23	73	...	...	5.51	0.80	...	...	...	...
F714	SDR-PR	PE4710	...	23	73	...	...	6.89	1.00	...	...	...	...
F2389	SDR6, SDR7.3, SDR11	PP	...	-18	0	99	210	4.34	0.63	3.45	0.50	1.38	0.20
D1785	Sch. 40, 80, 120	PVC1120	12454	23	73	...	...	13.8	2.00	...	...	...	...
D1785	Sch. 40, 80, 120	PVC1220	12454	23	73	...	...	13.8	2.00	...	...	...	...
D1785	Sch. 40, 80, 120	PVC2120	14333	23	73	...	...	13.8	2.00	...	...	...	...
D1785	Sch. 40, 80, 120	PVC2116	14333	23	73	...	...	11.0	1.60	...	...	...	...
D1785	Sch. 40, 80, 120	PVC2112	14333	23	73	...	...	8.6	1.25	...	...	...	...
D1785	Sch. 40, 80, 120	PVC2110	14333	23	73	...	...	6.9	1.00	...	...	...	...
D2241	PR (SDR series)	PVC1120	12454	23	73	...	...	13.8	2.00	...	...	...	...
D2241	PR (SDR series)	PVC1220	12454	23	73	...	...	13.8	2.00	...	...	...	...
D2241	PR (SDR series)	PVC2120	14333	23	73	...	...	13.8	2.00	...	...	...	...
D2241	PR (SDR series)	PVC2116	14333	23	73	...	...	11.0	1.60	...	...	...	...
D2241	PR (SDR series)	PVC2112	14333	23	73	...	...	8.6	1.25	...	...	...	...
D2241	PR (SDR series)	PVC2110	14333	23	73	...	...	6.9	1.00	...	...	...	...

**Table B-2 Listed Specifications for Laminated Reinforced Thermosetting Resin Pipe<sup>4</sup>**

Spec. No.
ASTM C582

**Table B-3 Listed Specifications for Filament Wound and Centrifugally Cast Reinforced Thermosetting Resin and Reinforced Plastic Mortar Pipe<sup>4</sup>**

Spec. Nos. (ASTM Except as Noted)		
D2517	D2997	D3754
D2996	D3517	AWWA C950

**Table B-4 Allowable Pressures and Recommended Temperature Limits for Concrete Pipe**

Spec. No.	Material	Class	Allowable Gage Pressure		Recommended Temperature Limits [Note (2)]			
			kPa	psi	Minimum		Maximum	
					°C	°F	°C	°F
ASTM C361	Reinforced concrete	25	69	10	...	...	...	...
		50	138	20				
		75	205	30				
		100	275	40				
		125	345	50				
AWWA C300	Reinforced concrete	...	1 795	260	...	...	...	...
AWWA C301	Reinforced concrete	Lined cylinder	1 725	250	...	...	...	...
AWWA C301	Reinforced concrete	Embedded cylinder	2 415	350	...	...	...	...
AWWA C302	Reinforced concrete	...	310	45	...	...	...	...

**Table B-5 Allowable Pressures and Recommended Temperature Limits for Borosilicate Glass Pipe**

ASTM Spec. No.	Material	Size Range		Allowable Gage Pressure		Recommended Temperature Limits [Note (2)]			
		DN	NPS	kPa	psi	Minimum		Maximum	
						°C	°F	°C	°F
C599	Borosilicate glass	8-15	1/4-1/2	690	100	...	...	232	450
		20	3/4	515	75				
		25-80	1-3	345	50				
		100	4	240	35				
		150	6	138	20				

**Table B-6 Allowable Pressures and Recommended Temperature Limits for PEX-AL-PEX and PE-AL-PE Pipe**

ASTM Spec. No.	Material	Size Range		Allowable Gage Pressure		Maximum Temperature Limits [Note (2)]	
		mm	in.	kPa	psi	°C	°F
F1281	PEX-AL-PEX	9.12–60.75	$\frac{3}{8}$ –2 $\frac{1}{2}$	1 379	200	23	73.4
				1 103	160	60	140
				862	125	82.2	180
F1282	PE-AL-PE	9.12–60.75	$\frac{3}{8}$ –2 $\frac{1}{2}$	1 379	200	23	73.4
				1 103	160	60	140
				862	100	82.2	180
F1974	Metal insert fittings for PEX-AL-PEX systems	12.16–25.32	$\frac{1}{2}$ –1	862	125	82	180
	Metal insert fittings for PE-AL-PE systems	12.16–25.32	$\frac{1}{2}$ –1	1 103	160	60	140
				862	125	82	180

## APPENDIX C PHYSICAL PROPERTIES OF PIPING MATERIALS

### NOTE FOR APPENDIX C TABLES

GENERAL NOTE: Tables C-2, C-4, and C-7 containing data in SI units are not included at this time. To convert data in U.S. Customary units to SI metric units

- (a) determine the Fahrenheit equivalent of the given Celsius temperature
- (b) interpolate in the desired table to calculate the expansion or modulus value in U.S. units
- (c)(1) for Table C-1, multiply the value (in./100 ft) by 0.833 to obtain the total linear thermal expansion (mm/m) between 21°C and the given temperature
- (2) for Table C-3, multiply the value ( $\mu\text{in./in.}^\circ\text{F}$ ) by 1.80 to obtain the mean coefficient of linear thermal expansion ( $\mu\text{m/m}^\circ\text{C}$ ) between 21°C and the given temperature
- (3) for Table C-6, multiply the value in Msi by 6 895 to obtain the modulus of elasticity in MPa at the given temperature

**Table C-1 Total Thermal Expansion, U.S. Units, for Metals**  
**Total Linear Thermal Expansion Between 70°F and Indicated Temperature, in./100 ft**

Temp., °F	Material										
	Carbon Steel Carbon-Moly- Low-Chrome (Through 3Cr-Mo)	5Cr-Mo Through 9Cr-Mo	Austenitic Stainless Steels 18Cr-8Ni	12Cr, 17Cr, 27Cr	25Cr-20Ni	UNS N04400 67Ni-30Cu	3 <sup>1</sup> / <sub>2</sub> Ni	Copper and Copper Alloys	Titanium Gr. 1,2,3,7, 11,12,16,17	Titanium Gr. 9	UNS N10675
-450	...	...	...	...	...	...	...	-3.93	...	...	...
-425	...	...	...	...	...	...	...	-3.93	...	...	...
-400	...	...	...	...	...	...	...	-3.91	...	...	...
-375	...	...	...	...	...	...	...	-3.87	...	...	...
-350	...	...	...	...	...	...	...	-3.79	...	...	...
-325	-2.37	-2.22	-3.85	-2.04	...	-2.62	-2.25	-3.67	...	...	...
-300	-2.24	-2.10	-3.63	-1.92	...	-2.50	-2.17	-3.53	...	...	...
-275	-2.11	-1.98	-3.41	-1.80	...	-2.38	-2.07	-3.36	...	...	...
-250	-1.98	-1.86	-3.19	-1.68	...	-2.26	-1.96	-3.17	...	...	...
-225	-1.85	-1.74	-2.96	-1.57	...	-2.14	-1.86	-2.97	...	...	...
-200	-1.71	-1.62	-2.73	-1.46	...	-2.02	-1.76	-2.76	...	...	...
-175	-1.58	-1.50	-2.50	-1.35	...	-1.90	-1.62	-2.53	...	...	...
-150	-1.45	-1.37	-2.27	-1.24	...	-1.79	-1.48	-2.30	...	...	...
-125	-1.30	-1.23	-2.01	-1.11	...	-1.59	-1.33	-2.06	...	...	...
-100	-1.15	-1.08	-1.75	-0.98	...	-1.38	-1.17	-1.81	...	...	...
-75	-1.00	-0.94	-1.50	-0.85	...	-1.18	-1.01	-1.56	...	...	...
-50	-0.84	-0.79	-1.24	-0.72	...	-0.98	-0.84	-1.30	...	...	...
-25	-0.68	-0.63	-0.98	-0.57	...	-0.77	-0.67	-1.04	...	...	...
0	-0.49	-0.46	-0.72	-0.42	...	-0.57	-0.50	-0.77	...	...	...
25	-0.32	-0.30	-0.46	-0.27	...	-0.37	-0.32	-0.50	...	...	...
50	-0.14	-0.13	-0.21	-0.12	...	-0.20	-0.15	-0.22	...	...	...
70	0	0	0	0	0	0	0	0	0	0	0
100	0.23	0.22	0.34	0.20	0.32	0.28	0.23	0.34	0.20	0.20	0.20
125	0.42	0.40	0.62	0.36	0.58	0.52	0.42	0.63	0.35	0.35	0.40
150	0.61	0.58	0.90	0.53	0.84	0.75	0.61	0.91	0.50	0.50	0.60
175	0.80	0.76	1.18	0.69	1.10	0.99	0.81	1.20	0.60	0.65	0.75
200	0.99	0.94	1.46	0.86	1.37	1.22	1.01	1.49	0.70	0.80	0.90
225	1.21	1.13	1.75	1.03	1.64	1.46	1.21	1.79	0.85	0.95	1.10
250	1.40	1.33	2.03	1.21	1.91	1.71	1.42	2.09	1.00	1.10	1.30
275	1.61	1.52	2.32	1.38	2.18	1.96	1.63	2.38	1.15	1.25	1.45
300	1.82	1.71	2.61	1.56	2.45	2.21	1.84	2.68	1.30	1.40	1.60
325	2.04	1.90	2.90	1.74	2.72	2.44	2.05	2.99	1.45	1.55	1.80
350	2.26	2.10	3.20	1.93	2.99	2.68	2.26	3.29	1.60	1.70	2.00
375	2.48	2.30	3.50	2.11	3.26	2.91	2.47	3.59	1.75	1.85	2.20
400	2.70	2.50	3.80	2.30	3.53	3.25	2.69	3.90	1.90	2.00	2.40
425	2.93	2.72	4.10	2.50	3.80	3.52	2.91	4.21	2.05	2.15	2.60
450	3.16	2.93	4.41	2.69	4.07	3.79	3.13	4.51	2.20	2.30	2.80
475	3.39	3.14	4.71	2.89	4.34	4.06	3.35	4.82	2.35	2.45	3.00
500	3.62	3.35	5.01	3.08	4.61	4.33	3.58	5.14	2.50	2.60	3.20
525	3.86	3.58	5.31	3.28	4.88	4.61	3.81	5.45	2.65	2.75	3.40
550	4.11	3.80	5.62	3.49	5.15	4.90	4.04	5.76	2.80	2.90	3.60

**Table C-1 Total Thermal Expansion, U.S. Units, for Metals**  
 Total Linear Thermal Expansion Between 70°F and Indicated Temperature, in./100 ft

Material										
Aluminum	Gray Cast Iron	Bronze	Brass	70Cu-30Ni	UNS N08XXX Series Ni-Fe-Cr	UNS N06XXX Series Ni-Cr-Fe	UNS N06035 Series Ni-Cr-Mo	UNS N06200 Series Ni-Cr-Mo	Ductile Iron	Temp., °F
...	...	...	...	...	...	...	...	...	...	-450
...	...	...	...	...	...	...	...	...	...	-425
...	...	...	...	...	...	...	...	...	...	-400
...	...	...	...	...	...	...	...	...	...	-375
...	...	...	...	...	...	...	...	...	...	-350
-4.68	...	-3.98	-3.88	-3.15	...	...	...	...	...	-325
-4.46	...	-3.74	-3.64	-2.87	...	...	...	...	...	-300
-4.21	...	-3.50	-3.40	-2.70	...	...	...	...	...	-275
-3.97	...	-3.26	-3.16	-2.53	...	...	...	...	...	-250
-3.71	...	-3.02	-2.93	-2.36	...	...	...	...	...	-225
-3.44	...	-2.78	-2.70	-2.19	...	...	...	...	-1.51	-200
-3.16	...	-2.54	-2.47	-2.12	...	...	...	...	-1.41	-175
-2.88	...	-2.31	-2.24	-1.95	...	...	...	...	-1.29	-150
-2.57	...	-2.06	-2.00	-1.74	...	...	...	...	-1.16	-125
-2.27	...	-1.81	-1.76	-1.53	...	...	...	...	-1.04	-100
-1.97	...	-1.56	-1.52	-1.33	...	...	...	...	-0.91	-75
-1.67	...	-1.32	-1.29	-1.13	...	...	...	...	-0.77	-50
-1.32	...	-1.25	-1.02	-0.89	...	...	...	...	-0.62	-25
-0.97	...	-0.77	-0.75	-0.66	...	...	...	...	-0.46	0
-0.63	...	-0.49	-0.48	-0.42	...	...	...	...	-0.23	25
-0.28	...	-0.22	-0.21	-0.19	...	...	...	...	-0.14	50
0	0	0	0	0	0	0	0	0	0	70
0.46	0.21	0.36	0.35	0.31	0.28	0.26	0.24	0.25	0.21	100
0.85	0.38	0.66	0.64	0.56	0.52	0.48	0.44	0.46	0.39	125
1.23	0.55	0.96	0.94	0.82	0.76	0.70	0.65	0.66	0.57	150
1.62	0.73	1.26	1.23	1.07	0.99	0.92	0.86	0.87	0.76	175
2.00	0.90	1.56	1.52	1.33	1.23	1.15	1.06	1.08	0.94	200
2.41	1.08	1.86	1.83	1.59	1.49	1.38	1.27	1.28	1.13	225
2.83	1.27	2.17	2.14	1.86	1.76	1.61	1.49	1.49	1.33	250
3.24	1.45	2.48	2.45	2.13	2.03	1.85	1.70	1.70	1.53	275
3.67	1.64	2.79	2.76	2.40	2.30	2.09	1.91	1.90	1.72	300
4.09	1.83	3.11	3.08	2.68	2.59	2.32	2.13	2.11	1.93	325
4.52	2.03	3.42	3.41	2.96	2.88	2.56	2.35	2.32	2.13	350
4.95	2.22	3.74	3.73	3.24	3.18	2.80	2.57	2.53	2.36	375
5.39	2.42	4.05	4.05	3.52	3.48	3.05	2.79	2.73	2.56	400
5.83	2.62	4.37	4.38	...	3.76	3.29	3.01	2.94	2.79	425
6.28	2.83	4.69	4.72	...	4.04	3.53	3.24	3.15	3.04	450
6.72	3.03	5.01	5.06	...	4.31	3.78	3.46	3.37	3.28	475
7.17	3.24	5.33	5.40	...	4.59	4.02	3.69	3.59	3.54	500
7.63	3.46	5.65	5.75	...	4.87	4.27	3.92	3.80	3.76	525
8.10	3.67	5.98	6.10	...	5.16	4.52	4.15	4.02	3.99	550

**Table C-1 Total Thermal Expansion, U.S. Units, for Metals (Cont'd)**  
**Total Linear Thermal Expansion Between 70°F and Indicated Temperature, in./100 ft**

Temp., °F	Material										
	Carbon Steel Carbon-Moly- Low-Chrome (Through 3Cr-Mo)	5Cr-Mo Through 9Cr-Mo	Austenitic Stainless Steels 18Cr-8Ni	12Cr, 17Cr, 27Cr	25Cr-20Ni	UNS N04400 67Ni-30Cu	3 <sup>1</sup> / <sub>2</sub> Ni	Copper and Copper Alloys	Titanium Gr. 1,2,3,7, 11,12,16,17	Titanium Gr. 9	UNS N10675
575	4.35	4.02	5.93	3.69	5.42	5.18	4.27	6.07	2.95	3.10	3.80
600	4.60	4.24	6.24	3.90	5.69	5.46	4.50	6.09	3.10	3.30	4.00
625	4.86	4.47	6.55	4.10	5.96	5.75	4.74	...	3.25	...	4.20
650	5.11	4.69	6.87	4.31	6.23	6.05	4.98	...	3.40	...	4.40
675	5.37	4.92	7.18	4.52	6.50	6.34	5.22	...	3.60	...	4.65
700	5.63	5.14	7.50	4.73	6.77	6.64	5.46	...	3.80	...	4.90
725	5.90	5.38	7.82	4.94	7.04	6.94	5.70	...	3.95	...	5.10
750	6.16	5.62	8.15	5.16	7.31	7.25	5.94	...	4.10	...	5.30
775	6.43	5.86	8.47	5.38	7.58	7.55	6.18	...	4.30	...	5.50
800	6.70	6.10	8.80	5.60	7.85	7.85	6.43	...	4.50	...	5.70
825	6.97	6.34	9.13	5.82	8.15	8.16	6.68	...	...	...	5.90
850	7.25	6.59	9.46	6.05	8.45	8.48	6.93	...	...	...	6.10
875	7.53	6.83	9.79	6.27	8.75	8.80	7.18	...	...	...	6.30
900	7.81	7.07	10.12	6.49	9.05	9.12	7.43	...	...	...	6.50
925	8.08	7.31	10.46	6.71	9.35	9.44	7.68	...	...	...	6.70
950	8.35	7.56	10.80	6.94	9.65	9.77	7.93	...	...	...	6.90
975	8.62	7.81	11.14	7.17	9.95	10.09	8.17	...	...	...	7.10
1,000	8.89	8.06	11.48	7.40	10.25	10.42	8.41	...	...	...	7.30
1,025	9.17	8.30	11.82	7.62	10.55	10.75	...	...	...	...	7.50
1,050	9.46	8.55	12.16	7.95	10.85	11.09	...	...	...	...	7.70
1,075	9.75	8.80	12.50	8.18	11.15	11.43	...	...	...	...	7.90
1,100	10.04	9.05	12.84	8.31	11.45	11.77	...	...	...	...	8.10
1,125	10.31	9.28	13.18	8.53	11.78	12.11	...	...	...	...	8.30
1,150	10.57	9.52	13.52	8.76	12.11	12.47	...	...	...	...	8.50
1,175	10.83	9.76	13.86	8.98	12.44	12.81	...	...	...	...	8.75
1,200	11.10	10.00	14.20	9.20	12.77	13.15	...	...	...	...	9.00
1,225	11.38	10.26	14.54	9.42	13.10	13.50	...	...	...	...	9.20
1,250	11.66	10.53	14.88	9.65	13.43	13.86	...	...	...	...	9.40
1,275	11.94	10.79	15.22	9.88	13.76	14.22	...	...	...	...	9.65
1,300	12.22	11.06	15.56	10.11	14.09	14.58	...	...	...	...	9.90
1,325	12.50	11.30	15.90	10.33	14.39	14.94	...	...	...	...	10.10
1,350	12.78	11.55	16.24	10.56	14.69	15.30	...	...	...	...	10.50
1,375	13.06	11.80	16.58	10.78	14.99	15.66	...	...	...	...	10.80
1,400	13.34	12.05	16.92	11.01	15.29	16.02	...	...	...	...	11.10
1,425	...	...	17.30	...	...	...	...	...	...	...	11.50
1,450	...	...	17.69	...	...	...	...	...	...	...	11.90
1,475	...	...	18.08	...	...	...	...	...	...	...	12.30
1,500	...	...	18.47	...	...	...	...	...	...	...	12.70

GENERAL NOTE: For Code references to this Appendix, see para. 319.3.1. These data are for use in the absence of more applicable data. It is the designer's responsibility to verify that materials are suitable for the intended service at the temperatures shown.



**Table C-1 Total Thermal Expansion, U.S. Units, for Metals (Cont'd)**  
**Total Linear Thermal Expansion Between 70°F and Indicated Temperature, in./100 ft**

Material										
Aluminum	Gray Cast Iron	Bronze	Brass	70Cu-30Ni	UNS N08XXX Series Ni-Fe-Cr	UNS N06XXX Series Ni-Cr-Fe	UNS N06035 Series Ni-Cr-Mo	UNS N06200 Series Ni-Cr-Mo	Ductile Iron	Temp., °F
8.56	3.89	6.31	6.45	...	5.44	4.77	4.39	4.24	4.22	575
9.03	4.11	6.64	6.80	...	5.72	5.02	4.62	4.46	4.44	600
...	4.34	6.96	7.16	...	6.01	5.27	4.86	4.68	4.66	625
...	4.57	7.29	7.53	...	6.30	5.53	5.09	4.91	4.90	650
...	4.80	7.62	7.89	...	6.58	5.79	5.33	5.13	5.14	675
...	5.03	7.95	8.26	...	6.88	6.05	5.58	5.36	5.39	700
...	5.26	8.28	8.64	...	7.17	6.31	5.82	5.59	5.60	725
...	5.50	8.62	9.02	...	7.47	6.57	6.06	5.83	5.85	750
...	5.74	8.96	9.40	...	7.76	6.84	6.31	6.06	6.10	775
...	5.98	9.30	9.78	...	8.06	7.10	6.56	6.30	6.35	800
...	6.22	9.64	10.17	...	8.35	...	6.81	6.54	6.59	825
...	6.47	9.99	10.57	...	8.66	...	7.06	6.78	6.85	850
...	6.72	10.33	10.96	...	8.95	...	7.31	7.02	7.09	875
...	6.97	10.68	11.35	...	9.26	...	7.57	7.29	7.35	900
...	7.23	11.02	11.75	...	9.56	...	7.82	7.51	7.64	925
...	7.50	11.37	12.16	...	9.87	...	8.08	7.76	7.86	950
...	7.76	11.71	12.57	...	10.18	...	8.34	8.01	8.11	975
...	8.02	12.05	12.98	...	10.49	...	8.60	8.26	8.35	1,000
...	...	12.40	13.39	...	10.80	...	8.87	8.52	...	1,025
...	...	12.76	13.81	...	11.11	...	9.13	8.77	...	1,050
...	...	13.11	14.23	...	11.42	...	9.40	9.02	...	1,075
...	...	13.47	14.65	...	11.74	...	9.67	9.28	...	1,100
...	...	...	...	...	12.05	...	9.94	9.53	...	1,125
...	...	...	...	...	12.38	...	10.21	9.79	...	1,150
...	...	...	...	...	12.69	...	10.48	10.05	...	1,175
...	...	...	...	...	13.02	...	10.75	10.30	...	1,200
...	...	...	...	...	13.36	...	...	...	...	1,225
...	...	...	...	...	13.71	...	...	...	...	1,250
...	...	...	...	...	14.04	...	...	...	...	1,275
...	...	...	...	...	14.39	...	...	...	...	1,300
...	...	...	...	...	14.74	...	...	...	...	1,325
...	...	...	...	...	15.10	...	...	...	...	1,350
...	...	...	...	...	15.44	...	...	...	...	1,375
...	...	...	...	...	15.80	...	...	...	...	1,400
...	...	...	...	...	16.16	...	...	...	...	1,425
...	...	...	...	...	16.53	...	...	...	...	1,450
...	...	...	...	...	16.88	...	...	...	...	1,475
...	...	...	...	...	17.25	...	...	...	...	1,500

**Table C-3 Thermal Coefficients, U.S. Units, for Metals**  
Mean Coefficient of Linear Thermal Expansion Between 70°F and Indicated Temperature,  $\mu\text{in./in.-}^\circ\text{F}$

Temp., °F	Material										
	Carbon Steel Carbon-Moly- Low-Chrome (Through 3Cr-Mo)	5Cr-Mo Through 9Cr-Mo	Austenitic Stainless Steels 18Cr-8Ni	12Cr, 17Cr, 27Cr	25Cr-20Ni	UNS N04400 67Ni-30Cu	3 <sup>1</sup> / <sub>2</sub> Ni	Copper and Copper Alloys	Titanium Gr. 1,2,3,7, 11,12,16,17	Titanium Gr. 9	UNS N10675
-450	...	...	...	...	...	...	...	6.30	...	...	...
-425	...	...	...	...	...	...	...	6.61	...	...	...
-400	...	...	...	...	...	...	...	6.93	...	...	...
-375	...	...	...	...	...	...	...	7.24	...	...	...
-350	...	...	...	...	...	...	...	7.51	...	...	...
-325	5.00	4.70	8.15	4.30	...	5.55	4.76	7.74	...	...	...
-300	5.07	4.77	8.21	4.36	...	5.72	4.90	7.94	...	...	...
-275	5.14	4.84	8.28	4.41	...	5.89	5.01	8.11	...	...	...
-250	5.21	4.91	8.34	4.47	...	6.06	5.15	8.26	...	...	...
-225	5.28	4.98	8.41	4.53	...	6.23	5.30	8.40	...	...	...
-200	5.35	5.05	8.47	4.59	...	6.40	5.45	8.51	...	...	...
-175	5.42	5.12	8.54	4.64	...	6.57	5.52	8.62	...	...	...
-150	5.50	5.20	8.60	4.70	...	6.75	5.59	8.72	...	...	...
-125	5.57	5.26	8.66	4.78	...	6.85	5.67	8.81	...	...	...
-100	5.65	5.32	8.75	4.85	...	6.95	5.78	8.89	...	...	...
-75	5.72	5.38	8.83	4.93	...	7.05	5.83	8.97	...	...	...
-50	5.80	5.45	8.90	5.00	...	7.15	5.88	9.04	...	...	...
-25	5.85	5.51	8.94	5.05	...	7.22	5.94	9.11	...	...	...
0	5.90	5.56	8.98	5.10	...	7.28	6.00	9.17	...	...	...
25	5.96	5.62	9.03	5.14	...	7.35	6.08	9.23	...	...	...
50	6.01	5.67	9.07	5.19	...	7.41	6.16	9.28	...	...	...
70	6.07	5.73	9.11	5.24	...	7.48	6.25	9.32	4.60	4.70	5.70
100	6.13	5.79	9.16	5.29	...	7.55	6.33	9.39	4.70	4.70	5.70
125	6.19	5.85	9.20	5.34	...	7.62	6.36	9.43	4.70	4.75	5.75
150	6.25	5.92	9.25	5.40	...	7.70	6.39	9.48	4.70	4.80	5.80
175	6.31	5.98	9.29	5.45	...	7.77	6.42	9.52	4.70	4.80	5.80
200	6.38	6.04	9.34	5.50	8.79	7.84	6.45	9.56	4.70	4.80	5.80
225	6.43	6.08	9.37	5.54	8.81	7.89	6.50	9.60	4.75	4.85	5.85
250	6.49	6.12	9.41	5.58	8.83	7.93	6.55	9.64	4.80	4.90	5.90
275	6.54	6.15	9.44	5.62	8.85	7.98	6.60	9.68	4.80	4.90	5.90
300	6.60	6.19	9.47	5.66	8.87	8.02	6.65	9.71	4.80	4.90	5.90
325	6.65	6.23	9.50	5.70	8.89	8.07	6.69	9.74	4.80	4.95	5.95
350	6.71	6.27	9.53	5.74	8.90	8.11	6.73	9.78	4.80	5.00	6.00
375	6.76	6.30	9.56	5.77	8.91	8.16	6.77	9.81	4.80	5.00	6.05
400	6.82	6.34	9.59	5.81	8.92	8.20	6.80	9.84	4.80	5.00	6.10
425	6.87	6.38	9.62	5.85	8.92	8.25	6.83	9.86	4.80	5.05	6.10
450	6.92	6.42	9.65	5.89	8.92	8.30	6.86	9.89	4.80	5.10	6.10
475	6.97	6.46	9.67	5.92	8.92	8.35	6.89	9.92	4.85	5.10	6.15
500	7.02	6.50	9.70	5.96	8.93	8.40	6.93	9.94	4.90	5.10	6.20
525	7.07	6.54	9.73	6.00	8.93	8.45	6.97	9.97	4.90	5.10	6.25
550	7.12	6.58	9.76	6.05	8.93	8.49	7.01	9.99	4.90	5.10	6.30

**Table C-3 Thermal Coefficients, U.S. Units, for Metals**  
Mean Coefficient of Linear Thermal Expansion Between 70°F and Indicated Temperature,  $\mu\text{in./in.-}^\circ\text{F}$

Material										
Aluminum	Gray Cast Iron	Bronze	Brass	70Cu-30Ni	UNS N08XXX Series Ni-Fe-Cr	UNS N06XXX Series Ni-Cr-Fe	UNS N06035 Series Ni-Cr-Mo	UNS N06200 Series Ni-Cr-Mo	Ductile Iron	Temp., °F
...	...	...	...	...	...	...	...	...	...	-450
...	...	...	...	...	...	...	...	...	...	-425
...	...	...	...	...	...	...	...	...	...	-400
...	...	...	...	...	...	...	...	...	...	-375
...	...	...	...	...	...	...	...	...	...	-350
9.90	...	8.40	8.20	6.65	...	...	...	...	...	-325
10.04	...	8.45	8.24	6.76	...	...	...	...	...	-300
10.18	...	8.50	8.29	6.86	...	...	...	...	...	-275
10.33	...	8.55	8.33	6.97	...	...	...	...	...	-250
10.47	...	8.60	8.37	7.08	...	...	...	...	...	-225
10.61	...	8.65	8.41	7.19	...	...	...	...	4.65	-200
10.76	...	8.70	8.46	7.29	...	...	...	...	4.76	-175
10.90	...	8.75	8.50	7.40	...	...	...	...	4.87	-150
11.08	...	8.85	8.61	7.50	...	...	...	...	4.98	-125
11.25	...	8.95	8.73	7.60	...	...	...	...	5.10	-100
11.43	...	9.05	8.84	7.70	...	...	...	...	5.20	-75
11.60	...	9.15	8.95	7.80	...	...	...	...	5.30	-50
11.73	...	9.23	9.03	7.87	...	...	...	...	5.40	-25
11.86	...	9.32	9.11	7.94	...	...	...	...	5.50	0
11.99	...	9.40	9.18	8.02	...	...	...	...	5.58	25
12.12	...	9.49	9.26	8.09	...	...	...	...	5.66	50
12.25	...	9.57	9.34	8.16	...	7.13	6.68	6.90	5.74	70
12.39	...	9.66	9.42	8.24	...	7.20	6.71	6.90	5.82	100
12.53	...	9.75	9.51	8.31	...	7.25	6.74	6.90	5.87	125
12.67	...	9.85	9.59	8.39	...	7.30	6.76	6.90	5.92	150
12.81	...	9.93	9.68	8.46	...	7.35	6.79	6.90	5.97	175
12.95	5.75	10.03	9.76	8.54	7.90	7.40	6.82	6.90	6.02	200
13.03	5.80	10.05	9.82	8.58	8.01	7.44	6.85	6.90	6.08	225
13.12	5.84	10.08	9.88	8.63	8.12	7.48	6.88	6.90	6.14	250
13.20	5.89	10.10	9.94	8.67	8.24	7.52	6.90	6.90	6.20	275
13.28	5.93	10.12	10.00	8.71	8.35	7.56	6.93	6.90	6.25	300
13.36	5.97	10.15	10.06	8.76	8.46	7.60	6.96	6.90	6.31	325
13.44	6.02	10.18	10.11	8.81	8.57	7.63	6.99	6.90	6.37	350
13.52	6.06	10.20	10.17	8.85	8.69	7.67	7.01	6.90	6.43	375
13.60	6.10	10.23	10.23	8.90	8.80	7.70	7.04	6.90	6.48	400
13.68	6.15	10.25	10.29	...	8.82	7.72	7.07	6.90	6.57	425
13.75	6.19	10.28	10.35	...	8.85	7.75	7.10	6.91	6.66	450
13.83	6.24	10.30	10.41	...	8.87	7.77	7.13	6.93	6.75	475
13.90	6.28	10.32	10.47	...	8.90	7.80	7.15	6.94	6.85	500
13.98	6.33	10.35	10.53	...	8.92	7.82	7.18	6.96	6.88	525
14.05	6.38	10.38	10.58	...	8.95	7.85	7.21	6.97	6.92	550

**Table C-3 Thermal Coefficients, U.S. Units, for Metals (Cont'd)**  
 Mean Coefficient of Linear Thermal Expansion Between 70°F and Indicated Temperature,  $\mu\text{in./in.-}^\circ\text{F}$

Temp., °F	Material										
	Carbon Steel Carbon-Moly- Low-Chrome (Through 3Cr-Mo)	5Cr-Mo Through 9Cr-Mo	Austenitic Stainless Steels 18Cr-8Ni	12Cr, 17Cr, 27Cr	25Cr-20Ni	UNS N04400 67Ni-30Cu	3 <sup>1</sup> / <sub>2</sub> Ni	Copper and Copper Alloys	Titanium Gr. 1,2,3,7, 11,12,16,17	Titanium Gr. 9	UNS N10675
575	7.17	6.62	9.79	6.09	8.93	8.54	7.04	10.1	4.90	5.15	6.30
600	7.23	6.66	9.82	6.13	8.94	8.58	7.08	10.04	4.90	5.20	6.30
625	7.28	6.70	9.85	6.17	8.94	8.63	7.12	...	4.90	...	6.35
650	7.33	6.73	9.87	6.20	8.95	8.68	7.16	...	4.90	...	6.40
675	7.38	6.77	9.90	6.23	8.95	8.73	7.19	...	4.95	...	6.40
700	7.44	6.80	9.92	6.26	8.96	8.78	7.22	...	5.00	...	6.40
725	7.49	6.84	9.95	6.29	8.96	8.83	7.25	...	5.00	...	6.45
750	7.54	6.88	9.99	6.33	8.96	8.87	7.29	...	5.00	...	6.50
775	7.59	6.92	10.02	6.36	8.96	8.92	7.31	...	5.05	...	6.50
800	7.65	6.96	10.05	6.39	8.97	8.96	7.34	...	5.10	...	6.50
825	7.70	7.00	10.08	6.42	8.97	9.01	7.37	...	...	...	6.50
850	7.75	7.03	10.11	6.46	8.98	9.06	7.40	...	...	...	6.50
875	7.79	7.07	10.13	6.49	8.99	9.11	7.43	...	...	...	6.50
900	7.84	7.10	10.16	6.52	9.00	9.16	7.45	...	...	...	6.50
925	7.87	7.13	10.19	6.55	9.05	9.21	7.47	...	...	...	6.50
950	7.91	7.16	10.23	6.58	9.10	9.25	7.49	...	...	...	6.50
975	7.94	7.19	10.26	6.60	9.15	9.30	7.52	...	...	...	6.50
1,000	7.97	7.22	10.29	6.63	9.18	9.34	7.55	...	...	...	6.50
1,025	8.01	7.25	10.32	6.65	9.20	9.39	...	...	...	...	6.55
1,050	8.05	7.27	10.34	6.68	9.22	9.43	...	...	...	...	6.60
1,075	8.08	7.30	10.37	6.70	9.24	9.48	...	...	...	...	6.60
1,100	8.12	7.32	10.39	6.72	9.25	9.52	...	...	...	...	6.60
1,125	8.14	7.34	10.41	6.74	9.29	9.57	...	...	...	...	6.60
1,150	8.16	7.37	10.44	6.75	9.33	9.61	...	...	...	...	6.60
1,175	8.17	7.39	10.46	6.77	9.36	9.66	...	...	...	...	6.60
1,200	8.19	7.41	10.48	6.78	9.39	9.70	...	...	...	...	6.60
1,225	8.21	7.43	10.50	6.80	9.43	9.75	...	...	...	...	6.65
1,250	8.24	7.45	10.51	6.82	9.47	9.79	...	...	...	...	6.70
1,275	8.26	7.47	10.53	6.83	9.50	9.84	...	...	...	...	6.70
1,300	8.28	7.49	10.54	6.85	9.53	9.88	...	...	...	...	6.70
1,325	8.30	7.51	10.56	6.86	9.53	9.92	...	...	...	...	6.75
1,350	8.32	7.52	10.57	6.88	9.54	9.96	...	...	...	...	6.80
1,375	8.34	7.54	10.59	6.89	9.55	10.00	...	...	...	...	6.90
1,400	8.36	7.55	10.60	6.90	9.56	10.04	...	...	...	...	7.00
1,425	...	...	10.64	...	...	...	...	...	...	...	7.10
1,450	...	...	10.68	...	...	...	...	...	...	...	7.20
1,475	...	...	10.72	...	...	...	...	...	...	...	7.30
1,500	...	...	10.77	...	...	...	...	...	...	...	7.40

GENERAL NOTE: For Code references to this Appendix, see para. 319.3.1. These data are for use in the absence of more applicable data. It is the designer's responsibility to verify that materials are suitable for the intended service at the temperatures shown.

**Table C-3 Thermal Coefficients, U.S. Units, for Metals (Cont'd)**  
 Mean Coefficient of Linear Thermal Expansion Between 70°F and Indicated Temperature,  $\mu\text{in./in.-}^\circ\text{F}$

Material										
Aluminum	Gray Cast Iron	Bronze	Brass	70Cu-30Ni	UNS N08XXX Series Ni-Fe-Cr	UNS N06XXX Series Ni-Cr-Fe	UNS N06035 Series Ni-Cr-Mo	UNS N06200 Series Ni-Cr-Mo	Ductile Iron	Temp., °F
14.13	6.42	10.41	10.64	...	8.97	7.88	7.24	6.99	6.95	575
14.20	6.47	10.44	10.69	...	9.00	7.90	7.26	7.01	6.98	600
...	6.52	10.46	10.75	...	9.02	7.92	7.29	7.03	7.02	625
...	6.56	10.48	10.81	...	9.05	7.95	7.32	7.05	7.04	650
...	6.61	10.50	10.86	...	9.07	7.98	7.35	7.07	7.08	675
...	6.65	10.52	10.92	...	9.10	8.00	7.38	7.09	7.11	700
...	6.70	10.55	10.98	...	9.12	8.02	7.40	7.12	7.14	725
...	6.74	10.57	11.04	...	9.15	8.05	7.46	7.14	7.18	750
...	6.79	10.60	11.10	...	9.17	8.08	7.46	7.17	7.22	775
...	6.83	10.62	11.16	...	9.20	8.10	7.49	7.19	7.25	800
...	6.87	10.65	11.22	...	9.22	...	7.51	7.22	7.27	825
...	6.92	10.67	11.28	...	9.25	...	7.54	7.24	7.31	850
...	6.96	10.70	11.34	...	9.27	...	7.57	7.27	7.34	875
...	7.00	10.72	11.40	...	9.30	...	7.60	7.30	7.37	900
...	7.05	10.74	11.46	...	9.32	...	7.62	7.32	7.41	925
...	7.10	10.76	11.52	...	9.35	...	7.65	7.35	7.44	950
...	7.14	10.78	11.57	...	9.37	...	7.68	7.38	7.47	975
...	7.19	10.80	11.63	...	9.40	...	7.71	7.40	7.50	1,000
...	...	10.83	11.69	...	9.42	...	7.74	7.43	...	1,025
...	...	10.85	11.74	...	9.45	...	7.76	7.46	...	1,050
...	...	10.88	11.80	...	9.47	...	7.79	7.48	...	1,075
...	...	10.90	11.85	...	9.50	...	7.82	7.51	...	1,100
...	...	10.93	11.91	...	9.52	...	7.85	7.53	...	1,125
...	...	10.95	11.97	...	9.55	...	7.88	7.55	...	1,150
...	...	10.98	12.03	...	9.57	...	7.90	7.58	...	1,175
...	...	11.00	12.09	...	9.60	...	7.93	7.60	...	1,200
...	...	...	...	...	9.64	...	...	...	...	1,225
...	...	...	...	...	9.68	...	...	...	...	1,250
...	...	...	...	...	9.71	...	...	...	...	1,275
...	...	...	...	...	9.75	...	...	...	...	1,300
...	...	...	...	...	9.79	...	...	...	...	1,325
...	...	...	...	...	9.83	...	...	...	...	1,350
...	...	...	...	...	9.86	...	...	...	...	1,375
...	...	...	...	...	9.90	...	...	...	...	1,400
...	...	...	...	...	9.94	...	...	...	...	1,425
...	...	...	...	...	9.98	...	...	...	...	1,450
...	...	...	...	...	10.01	...	...	...	...	1,475
...	...	...	...	...	10.05	...	...	...	...	1,500

(12)

**Table C-5 Thermal Expansion Coefficients, Nonmetals**

Material Description	Mean Coefficients (Divide Table Values by 10 <sup>6</sup> )			
	in./in., °F	Range, °F	mm/mm, °C	Range, °C
<b>Thermoplastics</b>				
Acetal AP2012	2	...	3.6	...
Acrylonitrile-butadiene-styrene				
ABS 1208	60	...	108	...
ABS 1210	55	45–55	99	7–13
ABS 1316	40	...	72	...
ABS 2112	40	...	72	...
Cellulose acetate butyrate				
CAB MH08	80	...	144	...
CAB S004	95	...	171	...
Chlorinated poly(vinyl chloride)				
CPVC 4120	35	...	63	...
Polybutylene PB 2110	72	...	130	...
Polyether, chlorinated	45	...	81	...
Polyethylene				
PE2606	100	46–100	180	8–38
PE2706	100	46–100	180	8–38
PE3608	90	46–100	162	8–38
PE3708	90	46–100	162	8–38
PE3710	90	46–100	162	8–38
PE4708	80	46–100	144	8–38
PE4710	80	46–100	144	8–38
Polyphenylene POP 2125	30	...	54	...
Polypropylene				
PP1110	48	33–67	86	1–19
PP1208	43	...	77	...
PP2105	40	...	72	...
PP0210B44002	80	...	144	...
PP0210G07G11030	19	...	35	...
Poly(vinyl chloride)				
PVC1120	30	23–37	54	–5 to +3
PVC1220	35	34–40	63	1–4
PVC2110	50	...	90	...
PVC2112	45	...	81	...
PVC2116	40	37–45	72	3–7
PVC2120	30	...	54	...
Poly(vinylidene fluoride)	79	...	142	...
Poly(vinylidene chloride)	100	...	180	...
Polytetrafluoroethylene	55	73–140	99	23–60
Poly(fluorinated ethylenepropylene)	46–58	73–140	83–104	23–60
Poly(perfluoroalkoxy alkane)	67	70–212	121	21–100
Poly(perfluoroalkoxy alkane)	94	212–300	169	100–149
Poly(perfluoroalkoxy alkane)	111	300–408	200	149–209

**Table C-5 Thermal Expansion Coefficients, Nonmetals (Cont'd)**

Material Description	Mean Coefficients (Divide Table Values by 10 <sup>6</sup> )			
	in./in., °F	Range, °F	mm/mm, °C	Range, °C
<b>Reinforced Thermosetting Resins and Reinforced Plastic Mortars</b>				
Glass-epoxy, centrifugally cast	9–13	...	16–23.5	...
Glass-polyester, centrifugally cast	9–15	...	16–27	...
Glass-polyester, filament-wound	9–11	...	16–20	...
Glass-polyester, hand lay-up	12–15	...	21.5–27	...
Glass-epoxy, filament-wound	9–13	...	16–23.5	...
<b>Other Nonmetallic Materials</b>				
Borosilicate glass	1.8	...	3.25	...

## GENERAL NOTES:

- (a) For Code references to this Appendix, see para. A319.3.1. These data are for use in the absence of more applicable data. It is the designer's responsibility to verify that materials are suitable for the intended service at the temperatures shown.
- (b) Individual compounds may vary from the values shown. Consult manufacturer for specific values for products.

(12)

**Table C-6 Modulus of Elasticity, U.S. Units, for Metals**

Material	<i>E</i> = Modulus of Elasticity, Msi (Millions of psi), at Temperature, °F									
	-425	-400	-350	-325	-200	-100	70	200	300	400
<b>Ferrous Metals</b>										
Gray cast iron	...	...	...	...	...	...	13.4	13.2	12.9	12.6
Carbon steels, C ≤ 0.3%	31.9	...	...	31.4	30.8	30.2	29.5	28.8	28.3	27.7
Carbon steels, C > 0.3%	31.7	...	...	31.2	30.6	30.0	29.3	28.6	28.1	27.5
Carbon-moly steels	31.7	...	...	31.1	30.5	29.9	29.2	28.5	28.0	27.4
Nickel steels, Ni 2%–9%	30.1	...	...	29.6	29.1	28.5	27.8	27.1	26.7	26.1
Cr-Mo steels, Cr 1/2%–2%	32.1	...	...	31.6	31.0	30.4	29.7	29.0	28.5	27.9
Cr-Mo steels, Cr 2 1/4%–3%	33.1	...	...	32.6	32.0	31.4	30.6	29.8	29.4	28.8
Cr-Mo steels, Cr 5%–9%	33.4	...	...	32.9	32.3	31.7	30.9	30.1	29.7	29.0
Chromium steels, Cr 12%, 17%, 27%	31.8	...	...	31.2	30.7	30.1	29.2	28.5	27.9	27.3
Austenitic steels (TP304, 310, 316, 321, 347)	30.8	...	...	30.3	29.7	29.0	28.3	27.6	27.0	26.5
<b>Copper and Copper Alloys (UNS Nos.)</b>										
Comp. and leaded Sn-bronze (C83600, C92200)	...	...	...	14.8	14.6	14.4	14.0	13.7	13.4	13.2
Naval and Si-brass, Si- & Al-bronze (C46400, C65500, C95200, C95400)	...	...	...	15.9	15.6	15.4	15.0	14.6	14.4	14.1
Copper (C11000)	...	...	...	16.9	16.6	16.5	16.0	15.6	15.4	15.0
Copper, red brass, Al-bronze (C10200, C12000, C12200, C12500, C14200, C23000, C61400)	...	...	...	18.0	17.7	17.5	17.0	16.6	16.3	16.0
90Cu–10Ni (C70600)	...	...	...	19.0	18.7	18.5	18.0	17.6	17.3	16.9
Leaded Ni-bronze	...	...	...	20.1	19.8	19.6	19.0	18.5	18.2	17.9
80Cu–20Ni (C71000)	...	...	...	21.2	20.8	20.6	20.0	19.5	19.2	18.8
70Cu–30Ni (C71500)	...	...	...	23.3	22.9	22.7	22.0	21.5	21.1	20.7
<b>Nickel and Nickel Alloys (UNS Nos.)</b>										
Alloy 400 N04400	28.3	...	...	27.8	27.3	26.8	26.0	25.4	25.0	24.7
Alloy N06035	29.2	...	...	29.1	29.0	28.8	28.5	28.1	27.8	27.5
Alloys N06007, N08320	30.3	...	...	29.5	29.2	28.6	27.8	27.1	26.7	26.4
Alloys N08800, N08810, N06002	31.1	...	...	30.5	29.9	29.4	28.5	27.8	27.4	27.1
Alloys N06455, N10276	32.5	...	...	31.6	31.3	30.6	29.8	29.1	28.6	28.3
Alloys N02200, N02201, N06625	32.7	...	...	32.1	31.5	30.9	30.0	29.3	28.8	28.5
Alloy N06600	33.8	...	...	33.2	32.6	31.9	31.0	30.2	29.9	29.5
Alloy N10001	33.9	...	...	33.3	32.7	32.0	31.1	30.3	29.9	29.5
Alloy N10665	34.2	...	...	33.3	33.0	32.3	31.4	30.6	30.1	29.8
Alloy N10675	...	...	...	33.7	32.9	32.3	31.4	30.7	30.2	29.8
<b>Unalloyed Titanium</b>										
Grades 1, 2, 3, and 7	...	...	...	...	...	...	15.5	15.0	14.6	14.0
<b>Zirconium Alloys</b>										
R60702	...	...	...	...	...	...	14.4	14.4	14.4	14.4
R60705	...	...	...	...	...	...	14.2	14.2	14.2	14.2



**Table C-6 Modulus of Elasticity, U.S. Units, for Metals**

(12)

<i>E</i> = Modulus of Elasticity, Msi (Millions of psi), at Temperature, °F											Material
500	600	700	800	900	1000	1100	1200	1300	1400	1500	
											<b>Ferrous Metals</b>
12.2	11.7	11.0	10.2	...	...	...	...	...	...	...	Gray cast iron
27.3	26.7	25.5	24.2	22.4	20.4	18.0	...	...	...	...	Carbon steels, C ≤ 0.3%
27.1	26.5	25.3	24.0	22.2	20.2	17.9	15.4	...	...	...	Carbon steels, C > 0.3%
27.0	26.4	25.3	23.9	22.2	20.1	17.8	15.3	...	...	...	Carbon-moly steels
25.7	25.2	24.6	23.0	...	...	...	...	...	...	...	Nickel steels, Ni 2%–9%
27.5	26.9	26.3	25.5	24.8	23.9	23.0	21.8	20.5	18.9	...	Cr–Mo steels, Cr ½%–2%
28.3	27.7	27.1	26.3	25.6	24.6	23.7	22.5	21.1	19.4	...	Cr–Mo steels, Cr 2¼%–3%
28.6	28.0	27.3	26.1	24.7	22.7	20.4	18.2	15.5	12.7	...	Cr–Mo steels, Cr 5%–9%
26.7	26.1	25.6	24.7	22.2	21.5	19.1	16.6	...	...	...	Chromium steels, Cr 12%, 17%, 27%
25.8	25.3	24.8	24.1	23.5	22.8	22.1	21.2	20.2	19.2	18.1	Austenitic steels (TP304, 310, 316, 321, 347)
											<b>Copper and Copper Alloys (UNS Nos.)</b>
12.9	12.5	12.0	...	...	...	...	...	...	...	...	Comp. and leaded Sn–bronze (C83600, C92200)
13.8	13.4	12.8	...	...	...	...	...	...	...	...	Naval and Si–brass, Si- & Al–bronze (C46400, C65500, C95200, C95400)
14.7	14.2	13.7	...	...	...	...	...	...	...	...	Copper (C11000)
15.6	15.1	14.5	...	...	...	...	...	...	...	...	Copper, red brass, Al–bronze (C10200, C12000, C12200, C12500, C14200, C23000, C61400)
16.6	16.0	15.4	...	...	...	...	...	...	...	...	90Cu–10Ni (C70600)
17.5	16.9	16.2	...	...	...	...	...	...	...	...	Leaded Ni-bronze
18.4	17.8	17.1	...	...	...	...	...	...	...	...	80Cu–20Ni (C71000)
20.2	19.6	18.8	...	...	...	...	...	...	...	...	70Cu–30Ni (C71500)
											<b>Nickel and Nickel Alloys (UNS Nos.)</b>
24.3	24.1	23.7	23.1	22.6	22.1	21.7	21.2	...	...	...	Alloy 400 N04400
27.1	26.7	26.3	25.8	25.3	24.8	24.2	23.6	...	...	...	Alloy N06035
26.0	25.7	25.3	24.7	24.2	23.6	23.2	22.7	...	...	...	Alloys N06007, N08320
26.6	26.4	25.9	25.4	24.8	24.2	23.8	23.2	...	...	...	Alloys N08800, N08810, N06002
27.9	27.6	27.1	26.5	25.9	25.3	24.9	24.3	...	...	...	Alloys N06455, N10276
28.1	27.8	27.3	26.7	26.1	25.5	25.1	24.5	...	...	...	Alloys N02200, N02201, N06625
29.0	28.7	28.2	27.6	27.0	26.4	25.9	25.3	...	...	...	Alloy N06600
29.1	28.8	28.3	27.7	27.1	26.4	26.0	25.3	...	...	...	Alloy N10001
29.4	29.0	28.6	27.9	27.3	26.7	26.2	25.6	...	...	...	Alloy N10665
29.3	28.9	28.4	27.9	27.4	26.8	26.2	25.6	24.9	24.2	23.4	Alloy N10675
											<b>Unalloyed Titanium</b>
13.3	12.6	11.9	11.2	...	...	...	...	...	...	...	Grades 1, 2, 3, and 7
											<b>Zirconium Alloys</b>
14.4	14.4	14.4	14.4	...	...	...	...	...	...	...	R60702
14.2	14.2	14.2	14.2	...	...	...	...	...	...	...	R60705

**Table C-6 Modulus of Elasticity, U.S. Units, for Metals (Cont'd)**

Material	<i>E</i> = Modulus of Elasticity, Msi (Millions of psi), at Temperature, °F									
	-425	-400	-350	-325	-200	-100	70	200	300	400
<b>Aluminum and Aluminum Alloys (UNS Nos.)</b>										
Grades 443, 1060, 1100, 3003, 3004, 6061, 6063 (A24430, A91060, A91100, A93003, A93004, A96061, A96063)	11.4	...	...	11.1	10.8	10.5	10.0	9.6	9.2	8.7
Grades 5052, 5154, 5454, 5652 (A95052, A95154, A95454, A95652)	11.6	...	...	11.3	11.0	10.7	10.2	9.7	9.4	8.9
Grades 356, 5083, 5086, 5456 (A03560, A95083, A95086, A95456)	11.7	...	...	11.4	11.1	10.8	10.3	9.8	9.5	9.0

GENERAL NOTE: For Code references to this Appendix, see para. 319.3.2. These data are for use in the absence of more applicable data. It is the designer's responsibility to verify that materials are suitable for the intended service at the temperatures shown.

**Table C-8 Modulus of Elasticity, Nonmetals**

(12)

Material Description	<i>E</i> , ksi (73.4°F)	<i>E</i> , MPa (23°C)
<b>Thermoplastics [Note (1)]</b>		
Acetal	410	2 830
ABS, Type 1210	250	1 725
ABS, Type 1316	340	2 345
CAB	120	825
PVC, Type 1120	420	2 895
PVC, Type 1220	410	2 825
PVC, Type 2110	340	2 345
PVC, Type 2116	380	2 620
Chlorinated PVC	420	2 895
Chlorinated polyether	160	1 105
PE2606	100	690
PE2706	100	690
PE3608	125	860
PE3708	125	860
PE3710	125	860
PE4708	130	895
PE4710	130	895
Polypropylene	120	825
Poly(vinylidene chloride)	100	690
Poly(vinylidene fluoride)	194	1 340
Poly(tetrafluorethylene)	57	395
Poly(fluorinated ethylenepropylene)	67	460
Poly(perfluoroalkoxy alkane)	100	690
<b>Thermosetting Resins, Axially Reinforced</b>		
Epoxy-glass, centrifugally cast	1,200–1,900	8 275–13 100
Epoxy-glass, filament-wound	1,100–2,000	7 585–13 790
Polyester-glass, centrifugally cast	1,200–1,900	8 275–13 100
Polyester-glass, hand lay-up	800–1,000	5 515–6 895
<b>Other</b>		
Borosilicate glass	9,800	67 570

GENERAL NOTE: For Code references to this Appendix, see para. A319.3.2. These data are for use in the absence of more applicable data. It is the designer's responsibility to verify that materials are suitable for the intended service at the temperatures shown.

NOTE:

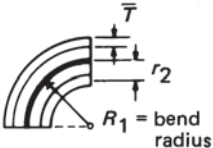
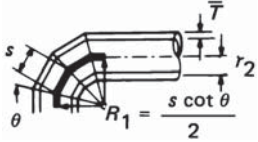
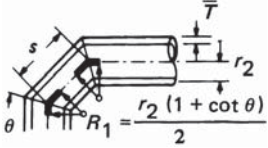
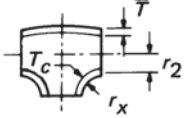
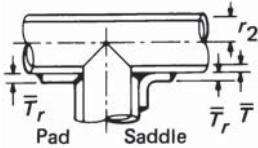
- (1) The modulus of elasticity data shown for thermoplastics are based on short-term tests. The manufacturer should be consulted to obtain values for use under long-term loading.

## APPENDIX D

# FLEXIBILITY AND STRESS INTENSIFICATION FACTORS

See Table D300.

**Table D300<sup>1</sup> Flexibility Factor, *k*, and Stress Intensification Factor, *i***

Description	Flexibility Factor, <i>k</i>	Stress Intensification Factor [Notes (2), (3)]		Flexibility Characteristic, <i>h</i>	Sketch
		Out-of-Plane, <i>i<sub>o</sub></i>	In-Plane, <i>i<sub>i</sub></i>		
Welding elbow or pipe bend [Notes (2), (4)-(7)]	$\frac{1.65}{h}$	$\frac{0.75}{h^{2/3}}$	$\frac{0.9}{h^{2/3}}$	$\frac{\bar{T}R_1}{r_2^2}$	
Closely spaced miter bend $s < r_2 (1 + \tan \theta)$ [Notes (2), (4), (5), (7)]	$\frac{1.52}{h^{5/6}}$	$\frac{0.9}{h^{2/3}}$	$\frac{0.9}{h^{2/3}}$	$\frac{\cot \theta}{2} \left( \frac{s\bar{T}}{r_2^2} \right)$	
Single miter bend or widely spaced miter bend $s \geq r_2 (1 + \tan \theta)$ [Notes (2), (4), (7)]	$\frac{1.52}{h^{5/6}}$	$\frac{0.9}{h^{2/3}}$	$\frac{0.9}{h^{2/3}}$	$\frac{1 + \cot \theta}{2} \left( \frac{\bar{T}}{r_2} \right)$	
Welding tee in accordance with ASME B16.9 [Notes (2), (4), (6), (8), (9)]	1	$\frac{0.9}{h^{2/3}}$	$\frac{3}{4}i_o + \frac{1}{4}$	$3.1 \frac{\bar{T}}{r_2}$	
Reinforced fabricated tee with pad or saddle [Notes (2), (4), (9), (10), (11)]	1	$\frac{0.9}{h^{2/3}}$	$\frac{3}{4}i_o + \frac{1}{4}$	$\frac{(\bar{T} + \frac{1}{2}\bar{T}_r)^{2.5}}{\bar{T}^{1.5}r_2}$	

**Table D300<sup>1</sup> Flexibility Factor,  $k$ , and Stress Intensification Factor,  $i$  (Cont'd)**

Description	Flexibility Factor, $k$	Stress Intensification Factor [Notes (2), (3)]		Flexibility Characteristic, $h$	Sketch
		Out-of-Plane, $i_o$	In-Plane, $i_i$		
Unreinforced fabricated tee [Notes (2), (4), (9), (11)]	1	$\frac{0.9}{h^{2/3}}$	$\frac{3}{4}i_o + \frac{1}{4}$	$\frac{\bar{T}}{r_2}$	
Extruded welding tee with $r_x \geq 0.05 D_b$ $T_c < 1.5 \bar{T}$ [Notes (2), (4), (9)]	1	$\frac{0.9}{h^{2/3}}$	$\frac{3}{4}i_o + \frac{1}{4}$	$\left(1 + \frac{r_x}{r_2}\right) \frac{\bar{T}}{r_2}$	
Welded-in contour insert [Notes (2), (4), (8), (9)]	1	$\frac{0.9}{h^{2/3}}$	$\frac{3}{4}i_o + \frac{1}{4}$	$3.1 \frac{\bar{T}}{r_2}$	
Branch welded-on fitting (integrally reinforced) [Notes (2), (4), (11), (12)]	1	$\frac{0.9}{h^{2/3}}$	$\frac{0.9}{h^{2/3}}$	$3.3 \frac{\bar{T}}{r_2}$	

Description	Flexibility Factor, $k$	Stress Intensification Factor, $i$ [Note (1)]
Butt welded joint, reducer, or weld neck flange	1	1.0
Double-welded slip-on flange	1	1.2
Fillet or socket weld	1	1.3 [Note (13)]
Lap joint flange (with ASME B16.9 lap joint stub)	1	1.6
Threaded pipe joint or threaded flange	1	2.3
Corrugated straight pipe, or corrugated or creased bend [Note (14)]	5	2.5

Table D300<sup>1</sup> Flexibility Factor,  $k$ , and Stress Intensification Factor,  $i$  (Cont'd)

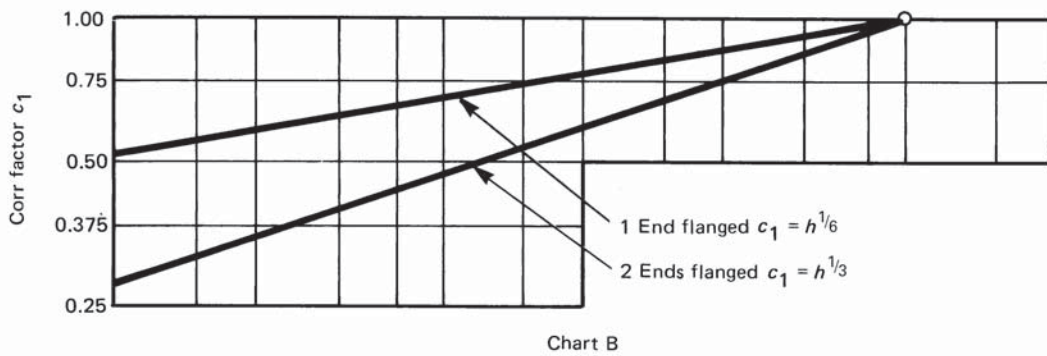
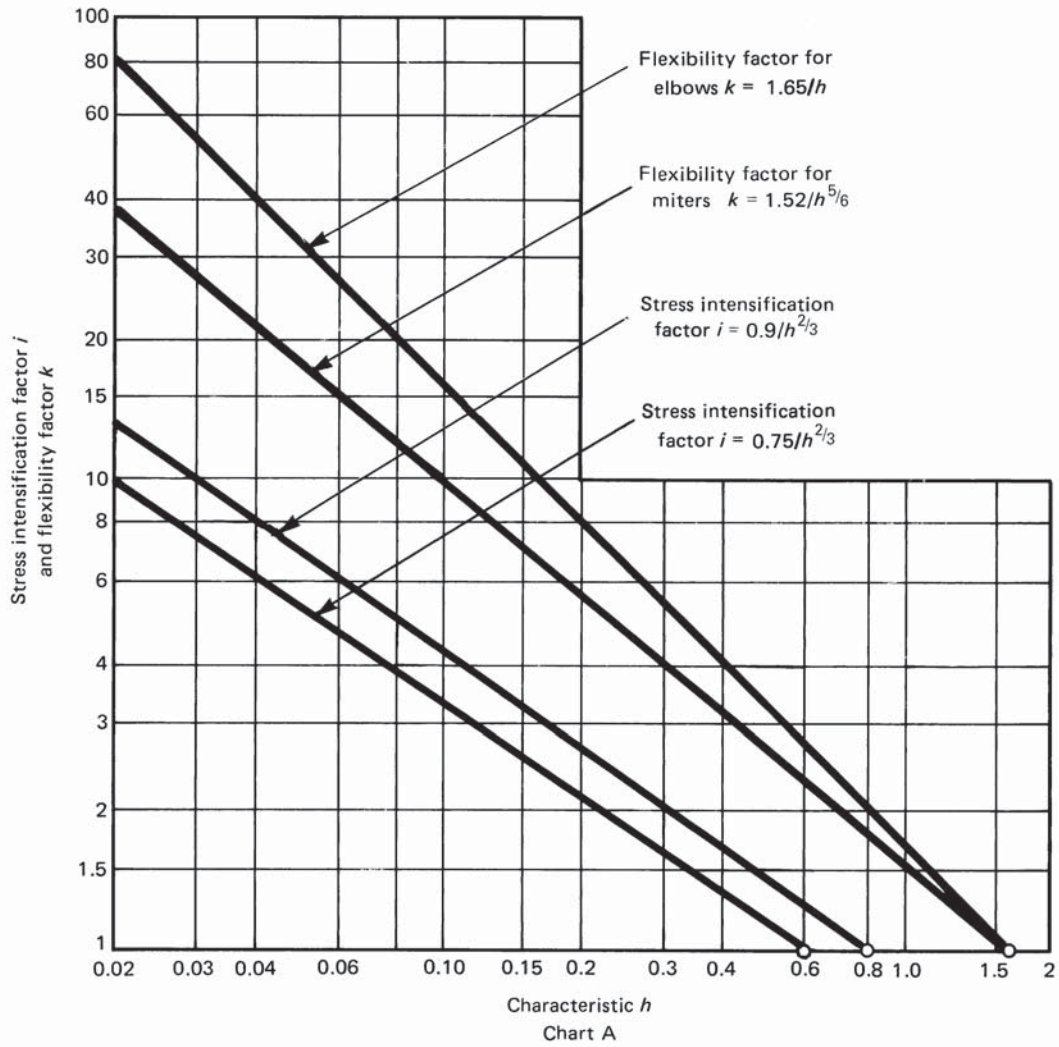


Table D300<sup>1</sup> Flexibility Factor,  $k$ , and Stress Intensification Factor,  $i$  (Cont'd)

(12)

## NOTES:

- (1) Stress intensification and flexibility factor data in Table D300 are for use in the absence of more directly applicable data (see para. 319.3.6). Their validity has been demonstrated for  $D/\bar{T} \leq 100$ .
- (2) The flexibility factor,  $k$ , in the Table applies to bending in any plane; also see para. 319.3.6. The flexibility factors,  $k$ , and stress intensification factors,  $i$ , shall apply over the effective arc length (shown by heavy centerlines in the sketches) for curved and miter bends, and to the intersection point for tees.
- (3) A single intensification factor equal to  $0.9/h^{2/3}$  may be used for both  $i_i$  and  $i_o$  if desired.
- (4) The values of  $k$  and  $i$  can be read directly from Chart A by entering with the characteristic  $h$  computed from the formulas given above. Nomenclature is as follows:
  - $D_b$  = outside diameter of branch
  - $R_1$  = bend radius of welding elbow or pipe bend
  - $r_x$  = see definition in para. 304.3.4(c)
  - $r_2$  = mean radius of matching pipe
  - $s$  = miter spacing at centerline
  - $\bar{T}$  = for elbows and miter bends, the nominal wall thickness of the fitting
  - = for tees, the nominal wall thickness of the matching pipe
  - $T_c$  = crotch thickness of branch connections measured at the center of the crotch where shown in the sketches
  - $\bar{T}_r$  = pad or saddle thickness
  - $\theta$  = one-half angle between adjacent miter axes
- (5) Where flanges are attached to one or both ends, the values of  $k$  and  $i$  in the Table shall be corrected by the factors  $C_1$ , which can be read directly from Chart B, entering with the computed  $h$ .
- (6) The designer is cautioned that cast butt-welded fittings may have considerably heavier walls than that of the pipe with which they are used. Large errors may be introduced unless the effect of these greater thicknesses is considered.
- (7) In large diameter thin-wall elbows and bends, pressure can significantly affect the magnitudes of  $k$  and  $i$ . To correct values from the Table, divide  $k$  by

$$1 + 6 \left( \frac{P_j}{E_j} \right) \left( \frac{r_2}{\bar{T}} \right)^{2/3} \left( \frac{R_1}{r_2} \right)^{1/3}$$

divide  $i$  by

$$1 + 3.25 \left( \frac{P_j}{E_j} \right) \left( \frac{r_2}{\bar{T}} \right)^{5/2} \left( \frac{R_1}{r_2} \right)^{2/3}$$

For consistency, use kPa and mm for SI metric, and psi and in. for U.S. customary notation.

- (8) If  $r_x \geq \frac{1}{8} D_b$  and  $T_c \geq 1.5\bar{T}$ , a flexibility characteristic of  $4.4 \bar{T}/r_2$  may be used.
- (9) Stress intensification factors for branch connections are based on tests with at least two diameters of straight run pipe on each side of the branch centerline. More closely loaded branches may require special consideration.
- (10) When  $\bar{T}_r$  is  $> 1\frac{1}{2} \bar{T}$ , use  $h = 4 \bar{T}/r_2$ .
- (11) The out-of-plane stress intensification factor (SIF) for a reducing branch connection with branch-to-run diameter ratio of  $0.5 < d/D < 1.0$  may be nonconservative. A smooth concave weld contour has been shown to reduce the SIF. Selection of the appropriate SIF is the designer's responsibility.
- (12) The designer must be satisfied that this fabrication has a pressure rating equivalent to straight pipe.
- (13) For welds to socket welded fittings, the stress intensification factor is based on the assumption that the pipe and fitting are matched in accordance with ASME B16.11 and a fillet weld is made between the pipe and fitting as shown in Fig. 328.5.2C. For welds to socket welded flanges, the stress intensification factor is based on the weld geometry shown in Fig. 328.5.2B sketch (3) and has been shown to envelope the results of the pipe to socket welded fitting tests. Blending the toe of the fillet weld smoothly into the pipe wall, as shown in the concave fillet welds in Fig. 328.5.2A, has been shown to improve the fatigue performance of the weld.
- (14) Factors shown apply to bending. Flexibility factor for torsion equals 0.9.

(12)

## APPENDIX E

### REFERENCE STANDARDS

Standards incorporated in this Code by reference, and the names and addresses of the sponsoring organizations, are shown in this Appendix. It is not practical to refer to a specific edition of each standard throughout the Code text; instead, the specific edition reference dates are shown here. Specific edition reference dates are not provided for ASME codes and standards. For ASME codes and standards, the latest published edition in effect at the time this Code is specified is the specific edition referenced by this Code unless otherwise specified in the engineering design. Subsequent issues and revisions of these referenced standards and any new standards incorporated in the Code by reference in Code Addenda will be listed (after review and acceptance by the Code Committee) in revisions of this Appendix E.

A component ordinarily is not marked to indicate the edition date of the standard to which it is manufactured. It is therefore possible that an item taken from inventory was produced in accordance with a superseded edition, or an edition not yet approved by the Code (because it is of later date than that listed and is in use). If compliance with a specific edition is a requirement of the intended service, it usually will be necessary to state the specific requirement in the purchase specification and to maintain identification of the component until it is put in service.

ASTM Specifications	ASTM Specifications (Cont'd)	ASTM Specifications (Cont'd)
A20-96a	A276-97	A487/A487M-93 (R2007)
A36/A36M-08	A278/A278M-01 (R2006)	A494/A494M-09
A47/A47M-99 (R2004)	A283/A283M-03 (R2007)	A508/A508M-05b
A48/A48M-03 (R2008)	A285/A285M-03 (R2007)	A515/A515M-03 (R2007)
A53/A53M-07	A299/A299M-04	A516/A516M-06
A105/A105M-09	A302/A302M-03 (R2007)	A524-96 (R2005)
A106/A106M-08	A307-07b	A530-98
A126-04	A312/A312M-09	A537/A537M-08
A134-96 (R2005)	A320/A320M-10	A553/A553M-06
A135/A135M-06	A325-97	A563-07a
A139/A139M-04	A333/A333M-05	A571/A571M-01 (R2006)
A167-99 (R2009)	A334/A334M-04a	A587-96 (R2005)
A179-90a (R2005)	A335/A335M-06	A645/A645M-05
A181/A181M-06	A350/A350M-07	A671-06
A182/A182M-09a	A351/A351M-06	A672-08
A193/A193M-10a	A352/A352M-06	A675/A675M-03 (R2009)
A194/A194M-10	A353/A353M-04	A691-98 (R2007)
A197/A197M-00 (R2006)	A354-07a	A723/A723M-10
A202/A202M-03	A358/A358M-08a	A789/A789M-09
A203/A203M-97 (R2007)	A369/A369M-06	A790/A790M-09
A204/A204M-03 (R2007)	A370-11	A815/A815M-09
A210/A210M-02 (R2007)	A376/A376M-06	A992-06a
A213-09b	A381-96 (R2005)	A1010/A1010M-01 (R2009)
A216/A216M-08	A387/A387M-06a	A1011/A1011M-10
A217/A217M-08	A395/A395M-99 (R2004)	A1053/A1053M-11
A234/A234M-07	A403/A403M-07a	B21/B21M-06
A240/A240M-09a	A409/A409M-08a	B26/B26M-09
A263-94a	A420/A420M-07	B32-08
A264-94a	A426/A426M-08	B42-02 <sup>e1</sup>
A265-94a	A437/A437M-10a	B43-98 (R2004)
A268/A268M-05	A451/A451M-06	B61-08
A269-08	A453/A453M-10	B62-09
	A479/A479M-08	B68-02/B68M-99 (R2005)
		B75-02/B75M-99 (R2005)



## REFERENCE STANDARDS (CONT'D)

## ASTM Specifications (Cont'd)

B88-03/B88M-05  
 B96/B96M-06  
 B98/B98M-08

B127-05  
 B148-97 (R2009)  
 B150/B150M-08

B152/B152M-06a<sup>e1</sup>  
 B160-05 (R2009)  
 B161-05<sup>e1</sup>  
 B162-99 (R2005)<sup>e1</sup>  
 B164-03 (R2008)  
 B165-05  
 B166-08  
 B167-06  
 B168-08  
 B169/B169M-05  
 B171/B171M-09  
 B187/B187M-06

B209-07  
 B210-04  
 B211-03  
 B221-08  
 B241/B241M-02  
 B247-02a

B265-09a<sup>e1</sup>  
 B280-08  
 B283-09

B333-03 (R2008)  
 B335-03 (R2008)  
 B336-04b  
 B338-09  
 B345/B345M-02

B361-08  
 B363-06a  
 B366-10a  
 B371/B371M-08  
 B381-09

B407-08a  
 B409-06<sup>e1</sup>  
 B423-05  
 B424-05  
 B425-99 (R2005)  
 B435-06  
 B443-00 (R2005)  
 B444-06  
 B446-03 (R2008)

B462-06  
 B463-04  
 B464-05  
 B466/B466M-07  
 B467-88 (R2003)  
 B491/B491M-06  
 B493/B493M-08

## ASTM Specifications (Cont'd)

B514-05  
 B517-05  
 B523/B523M-07  
 B547/B547M-02  
 B550/B550M-07

B551/B551M-07  
 B564-10  
 B572-06  
 B574-10  
 B575-10  
 B581-02 (R2008)  
 B582-07  
 B584-08a

B619-10  
 B620-03 (R2008)  
 B621-02 (R2006)  
 B622-10  
 B625-05  
 B626-10  
 B649-06

B658/B658M-06  
 B675-02 (R2007)  
 B688-96 (R2009)  
 B690-02 (R2007)

B705-05  
 B725-05  
 B729-05  
 B804-02 (R2007)  
 B813-10  
 B828-02  
 B861-08a  
 B862-08a

C14-07  
 C301-04  
 C361-08

C582-09  
 C599-91 (R1995)

D1527-99 (R2005)  
 D1600-08  
 D1694-95 (R2000)  
 D1785-06

D2235-04  
 D2239-03  
 D2241-05  
 D2282-99<sup>e1</sup>  
 D2310-06  
 D2321-08  
 D2447-03  
 D2464-06  
 D2466-06  
 D2467-06  
 D2468-96a

## ASTM Specifications (Cont'd)

D2513-09  
 D2517-06  
 D2564-04<sup>e1</sup>  
 D2609-02 (R2008)  
 D2657-07  
 D2662-96a  
 D2666-96a  
 D2672-96a (R2003)  
 D2683-04  
 D2737-03

D2837-08  
 D2846/D2846M-09b  
 D2855-96 (R2002)  
 D2992-06  
 D2996-01 (R2007)<sup>e1</sup>  
 D2997-01 (R2007)<sup>e1</sup>  
 D3000-95a

D3035-08  
 D3139-98 (R2005)  
 D3261-03  
 D3309-96a (R2002)

D3517-06  
 D3754-06  
 D3839-08  
 D3840-01 (R2005)

D4024-05  
 D4161-01 (R2005)

D5421-05  
 D5685-05  
 D6041-97 (R2002)

E94-04  
 E112-10  
 E114-10  
 E125-63 (R2008)  
 E155-05  
 E165-09  
 E186-10  
 E213-09  
 E272-10  
 E280-10  
 E310-10  
 E446-10  
 E709-08

F336-02 (R2009)  
 F437-09  
 F438-09  
 F439-09  
 F441/F441M-09  
 F442/F442M-09  
 F493-04  
 F714-08

## REFERENCE STANDARDS (CONT'D)

**ASTM Specifications (Cont'd)**

F1055-98 (R2006)  
 F1281-03<sup>e1</sup>  
 F1282-03<sup>e1</sup>  
 F1290-98a (R2004)  
 F1412-09  
 F1498-08  
 F1545-97 (R2003)  
 F1673-04  
 F1970-05  
 F1974-04  
 F2389-07<sup>e1</sup>

**AISC Publication**

325-05 (Steel Construction Manual, 2006)

**ASCE Standard**

ASCE 7-05

**ASME Codes (Use Latest Edition)**

ASME Boiler and Pressure Vessel Code  
 Section II, Part D  
 Section III, Division 1  
 Section V  
 Section VIII, Division 1  
 Section VIII, Division 2  
 Section VIII, Division 3  
 Section IX

**ASME Standards (Use Latest Edition)**

A13.1  
 B1.1  
 B1.20.1  
 B1.20.3  
 B1.20.7  
 ⋮  
 B16.1  
 B16.3  
 B16.4  
 B16.5  
 B16.9  
 B16.10  
 B16.11  
 B16.14  
 B16.15  
 B16.18  
 B16.20  
 B16.21  
 B16.22  
 B16.24  
 B16.25  
 B16.26  
 B16.34  
 B16.36  
 B16.39

**ASME Standards (Cont'd)**

B16.42  
 B16.47  
 B16.48  
 B16.50  
 B18.2.1  
 B18.2.2  
 B36.10M  
 B36.19M  
 B46.1  
 BPE  
 PCC-2

**API Specifications**

5B, 2008  
 5L, 2009  
 15LE, 2008  
 15LR, 2001

**API Standards**

526, 2009  
 570, 2009  
 594, 2010  
 599, 2007  
 600, 2009  
 602, 2005  
 603, 2007  
 608, 2008  
 609, 2009

**API Recommended Practice**

RP 941, 5th Ed., 1997

**ASNT Standards**

ACCP-CP-1, Revision 7  
 CP-189-2011  
 SNT-TC-1A-2011

**ASQ Standards**

Q9000-1: 1994  
 Q9000-2: 1997  
 Q9000-3: 1997  
 Q9001: 2008  
 Q9002: 1994  
 Q9003: 1994

**AWS Standards**

A3.0M/A3.0:2010  
 A5.1/A5.1M:2004  
 A5.4/A5.4M:2006  
 A5.5/A5.5M:2006  
 A5.8:2004  
 A5.9/A5.9M:2006  
 A5.11/A5.11M:2010  
 A5.14/A5.14M:2009  
 A5.22:2010  
 A5.31:2001  
 QC1:2007

**AWWA Standards**

C110-03  
 C111-07  
 C115-05  
 C150/A21.50-08  
 C151/A21.51-04  
 C200-05  
 C207-07  
 C208-07  
 C300-07  
 C301-07  
 C302-04  
 C500-02  
 C504-06  
 C900-07 and Errata 2008  
 C950-07

**CEN Technical Report**

CEN/TR 14549:2004

**CGA Publication**

G-4.1-2009

**CSA Publication**

Z245.1-1998

**EJMA Publication**

EJMA Standards, 2008

**ISO Standard**

ISO 15649:2001

**MSS Standard Practices**

SP-6-2007  
 SP-9-2008  
 SP-25-2008  
 SP-42-2009  
 SP-43-2008  
 SP-44-2006

## REFERENCE STANDARDS (CONT'D)

**MSS Standard Practices (Cont'd)**

SP-45-2003 (R2008)  
 SP-51-2007  
 SP-53-1999 (R2007)  
 SP-55-2011  
 SP-58-2002  
 SP-65-2008  
 SP-70-2006  
 SP-71-2005  
 SP-72-1999  
 SP-75-2008  
 SP-78-2005a  
 SP-79-2004  
 SP-80-2008  
 SP-81-2006a  
 SP-83-2006  
 SP-85-2002  
 SP-88-1993 (R2001)  
 SP-95-2006  
 SP-97-2006

**MSS Standard Practices (Cont'd)**

SP-105-1996 (R2005)  
 SP-106-2003  
 SP-119-2003  
 SP-122-2005

**NACE Publications**

MR0103-07  
 MR0175/ISO 15156-3 Cir2-08  
 RP0170-04  
 RP0472-08  
 37519-85

**NFPA Specification**

1963-2009

**PFI Standards**

ES-7-2004  
 ES-48-2008

**PPI Technical Report**

TR-21-2001

**SAE Specifications**

J513-1999  
 J514-2004  
 J518-1993

---

GENERAL NOTE: The issue date shown immediately following the hyphen after the number of the standard (e.g., C207-07 and SP-6-2007) is the effective date of the issue (edition) of the standard. Any additional number shown following the issue date and prefixed by the letter "R" is the latest date of reaffirmation [e.g., A5.22-1995 (R2005)].

Specifications and standards of the following organizations appear in Appendix E:

AISC	American Institute of Steel Construction One East Wacker Drive, Suite 700 Chicago, Illinois 60601-1802 (312) 670-2400 www.aisc.org	CEN	European Committee for Standardization CEN-CENELEC Management Centre Avenue Marnix 17, B-1000 Brussels, Belgium +32 2 550 08 11 www.cen.eu
API	American Petroleum Institute Publications and Distribution Section 1220 L Street, NW Washington, DC 20005-4070 (202) 682-8375 www.api.org	CGA	Compressed Gas Association, Inc. 4221 Walney Road Chantilly, Virginia 20151-2923 (703) 788-2700 www.cganet.com
ASCE	The American Society of Civil Engineers 1801 Alexander Bell Drive Reston, Virginia 20191-4400 (703) 295-6300 or (800) 548-2723 www.asce.org	CSA	CSA International 178 Rexdale Boulevard Etobicoke (Toronto), Ontario M9W 1R3, Canada (416) 747-2620 or (800) 463-6727 www.csa-international.org
ASME	ASME International Three Park Avenue New York, New York 10016-5990 (212) 591-8500 or (800) 843-2763 www.asme.org	EJMA	Expansion Joint Manufacturers Association 25 North Broadway Tarrytown, New York 10591 (914) 332-0040 www.ejma.org
ASME	Order Department 22 Law Drive Box 2300 Fairfield, New Jersey 07007-2300 (973) 882-1170 or (800) 843-2763	ISO	International Organization for Standardization 1, ch. de la Voie-Creuse Case postale 56 CH-1211 Genève 20 Switzerland/Suisse +41 22 749 01 11 www.iso.org
ASNT	American Society for Nondestructive Testing, Inc. P.O. Box 28518 1711 Arlingate Lane Columbus, Ohio 43228-0518 (614) 274-6003 or (800) 222-2768 www.asnt.org	MSS	Manufacturers Standardization Society of the Valve and Fittings Industry, Inc. 127 Park Street, NE Vienna, Virginia 22180-4602 (703) 281-6613 www.mss-hq.com
ASQ	American Society for Quality 611 East Wisconsin Ave. Milwaukee, WI 53202 (800) 248-1946 www.asq.org	NACE	NACE International 1440 South Creek Drive Houston, Texas 77084-4906 (281) 228-6200 www.nace.org
ASTM	American Society for Testing and Materials 100 Barr Harbor Drive West Conshohocken, Pennsylvania 19428-2959 (610) 832-9500 www.astm.org	NFPA	National Fire Protection Association 1 Batterymarch Park Quincy, Massachusetts 02169-7471 (617) 770-3000 or (800) 344-3555 www.nfpa.org
AWWA	American Water Works Association 6666 W. Quincy Avenue Denver, Colorado 80235 (303) 794-7711 or (800) 926-7337 www.awwa.org	PFI	Pipe Fabrication Institute 655-32nd Avenue, Suite 201 Lachine, Quebec H8T 3G6 Canada (514) 634-3434 www.pfi-institute.org
AWS	American Welding Society 550 NW LeJeune Road Miami, Florida 33126 (305) 443-9353 or (800) 443-9353 www.aws.org		

- PPI     Plastics Pipe Institute  
         105 Decker Court  
         Irving, Texas 75062  
         (469) 499-1044  
         www.plasticpipe.org
- SAE     Society of Automotive Engineers  
         400 Commonwealth Drive  
         Warrendale, Pennsylvania 15096-0001  
         (724) 776-4970 or (800) 832-6723  
         www.sae.org
- SEMI    Semiconductor Equipment and Materials  
         International  
         3081 Zanker Road  
         San Jose, California 95134  
         (408) 943-6900  
         www.semi.org

GENERAL NOTE TO LIST OF ORGANIZATIONS: Some of the organizations listed above publish standards that have been approved as American National Standards. Copies of these standards may also be obtained from:

- ANSI    American National Standards Institute, Inc.  
         25 West 43rd Street  
         New York, New York 10036  
         (212) 642-4900  
         www.ansi.org

ASME B31.3-2012

## APPENDIX F

# PRECAUTIONARY CONSIDERATIONS

### F300 GENERAL

This Appendix provides guidance in the form of precautionary considerations relating to particular fluid services and piping applications. These are not Code requirements but should be taken into account as applicable in the engineering design. Further information on these subjects can be found in the literature.

### F301 DESIGN CONDITIONS

Selection of pressures, temperatures, forces, and other conditions that may apply to the design of piping can be influenced by unusual requirements which should be considered when applicable. These include but are not limited to the following.

#### F301.4 Ambient Effects

Where fluids can be trapped (e.g., in double seated valves) and subjected to heating and consequent expansion, means of pressure relief should be considered to avoid excessive pressure buildup.

#### F301.5 Dynamic Effects

*geysering*: an effect that can occur in piping handling fluids at or near their boiling temperatures under conditions when rapid evolution of vapor within the piping causes rapid expulsion of liquid. In such cases, a pressure surge can be generated that may be destructive to the piping. (Geysering usually is associated with vertical pipelines but may occur in inclined lines under certain conditions.)

#### F301.7 Thermal Expansion and Contraction Effects

*bowing during cooldown*: an effect that can occur, usually in horizontal piping, on introduction of a fluid at or near its boiling temperature and at a flow rate that allows stratified two-phase flow, causing large circumferential temperature gradients and possibly unacceptable stresses at anchors, supports, guides, and within pipe walls. (Two-phase flow can also generate excessive pressure oscillations and surges that may damage the piping.)

#### F301.10 Cyclic Effects

**F301.10.1 Pressure Cycling.** The rules in para. K304.8 may be considered where fatigue due to pressure cycling is a concern.

**F301.10.2 Thermal Fatigue at Mixing Points.** Consideration should be given to the potential for thermal fatigue on surfaces exposed to the fluid when mixing fluids of different temperatures (e.g., cold droplets impinging on the pipe wall of a hot gas stream).

#### F301.11 Condensation Effects

Where there is a possibility of condensation occurring inside gaseous fluid piping, means should be considered to provide drainage from low areas to avoid damage from water hammer or corrosion.

### F304 PRESSURE DESIGN

#### F304.7 Pressure Design of Other Metallic Components

**F304.7.4 Expansion Joints.** The following are specific considerations to be evaluated by the designer when specifying expansion joint requirements, in addition to the guidelines given in EJMA Standards:

(a) susceptibility to stress corrosion cracking of the materials of construction, considering specific alloy content, method of manufacture, and final heat treated condition.

(b) consideration of not only the properties of the flowing medium but also the environment external to the expansion joint and the possibility of condensation or ice formation due to the operation of the bellows at a reduced temperature.

(c) consideration of specifying a minimum bellows or ply thickness. The designer is cautioned that requiring excessive bellows thickness may reduce the fatigue life of the expansion joint and increase end reactions.

(d) accessibility of the expansion joint for maintenance and inspection.

(e) need for leak tightness criteria for mechanical seals on slip type joints.

(f) specification of installation procedures and shipping or preset bars so that the expansion joint will not be extended, compressed, or offset to compensate for improper alignment of piping, other than the intentional offset specified by the piping designer.

(g) need to request data from the expansion joint manufacturer, including

- (1) effective thrust area
- (2) lateral, axial, and rotational stiffness (spring constant)
- (3) calculated design cycle life under specified design conditions
- (4) friction force in hinges, tie rods, etc.
- (5) installed length and weight
- (6) requirements for additional support or restraint in the piping

- (7) expansion joint elements that are designed to be uninsulated during operation
- (8) certification of pressure containing and/or restraining materials of construction
- (9) maximum test pressure
- (10) design calculations

### F307 VALVES

(a) Extended bonnet valves are recommended where necessary to establish a temperature differential between the valve stem packing and the fluid in the piping, to avoid packing leakage and external icing or other heat flux problems. The valve should be positioned to provide this temperature differential. Consideration should be given to possible packing shrinkage in low temperature fluid service.

(b) The effect of external loads on valve operability and leak tightness should be considered.

### F308 FLANGES AND GASKETS

#### F308.2 Specific Flanges

*Slip-On Flanges.* The need for venting the space between the welds in double-welded slip-on flanges should be considered for fluid services (including vacuum) that require leak testing of the inner fillet weld, or when fluid handled can diffuse into the enclosed space, resulting in possible failure.

#### F308.4 Gaskets

(a) Gasket materials not subject to cold flow should be considered for use with raised face flanges for fluid services at elevated pressures with temperatures significantly above or below ambient.

(b) Use of full face gaskets with flat faced flanges should be considered when using gasket materials subject to cold flow for low pressure and vacuum services at moderate temperatures. When such gasket materials are used in other fluid services, the use of tongue-and-groove or other gasket-confining flange facings should be considered.

(c) The effect of flange facing finish should be considered in gasket material selection.

### F309 BOLTING

#### F309.1 General

The use of controlled bolting procedures should be considered in high, low, and cycling temperature services, and under conditions involving vibration or fatigue, to reduce

- (a) the potential for joint leakage due to differential thermal expansion
- (b) the possibility of stress relaxation and loss of bolt tension

### F312 FLANGED JOINTS

#### F312.1 General

Three distinct elements of a flanged joint must act together to provide a leak-free joint: the flanges, the

gasket, and the bolting. Factors that affect performance include:

#### (a) Selection and Design

(1) consideration of service conditions (including external loads, bending moments, and application of thermal insulation)

(2) flange rating, type, material, facing, and facing finish (see para. F308.2)

(3) gasket type, material, thickness, and design (see para. F308.4)

(4) bolt material, strength (cold and at temperature), and specifications for tightening of bolts (see para. F309.1)

(5) design for access to the joint

#### (b) Installation

(1) condition of flange mating surfaces

(2) joint alignment and gasket placement before boltup

(3) implementation of specified bolting procedures

### F321 PIPING SUPPORT

#### F321.4 Wear of Piping at Support Points

The use of pads or other means of pipe attachment at support points should be considered for piping systems subject to wear and pipe wall metal loss from relative movement between the pipe and its supports (e.g., from wave action on offshore production applications).

### F322 DESIGN CONSIDERATIONS FOR SPECIFIC SYSTEMS

#### F322.6 Pressure Relief Piping

*Stop Valves in Pressure Relief Piping.* If stop valves are located in pressure relief piping in accordance with para. 322.6.1(a), and if any of these stop valves are to be closed while the equipment is in operation, an authorized person should be present. The authorized person should remain in attendance at a location where the operating pressure can be observed and should have access to means for relieving the system pressure in the event of overpressure. Before leaving the station the authorized person should lock or seal the stop valves in the open position.

### F323 MATERIALS

(a) Selection of materials to resist deterioration in service is not within the scope of this Code. However, suitable materials should be specified or selected for use in piping and associated facilities not covered by this Code but which affect the safety of the piping. Consideration should be given to allowances made for temperature and pressure effects of process reactions, for properties of reaction or decomposition products, and

for hazards from instability of contained fluids. Consideration should be given to the use of cladding, lining, or other protective materials to reduce the effects of corrosion, erosion, and abrasion.

(b) Information on material performance in corrosive environments can be found in publications, such as "The Corrosion Data Survey" published by the National Association of Corrosion Engineers.

### F323.1 General Considerations

The following are some general considerations that should be evaluated when selecting and applying materials in piping (see also para. FA323.4):

(a) the possibility of exposure of the piping to fire and the melting point, degradation temperature, loss of strength at elevated temperature, and combustibility of the piping material under such exposure

(b) the susceptibility to brittle failure or failure from thermal shock of the piping material when exposed to fire or to fire-fighting measures, and possible hazards from fragmentation of the material in the event of failure

(c) the ability of thermal insulation to protect piping against failure under fire exposure (e.g., its stability, fire resistance, and ability to remain in place during a fire)

(d) the susceptibility of the piping material to crevice corrosion under backing rings, in threaded joints, in socket welded joints, and in other stagnant, confined areas

(e) the possibility of adverse electrolytic effects if the metal is subject to contact with a dissimilar metal

(f) the compatibility of lubricants or sealants used on threads with the fluid service

(g) the compatibility of packing, seals, and O-rings with the fluid service

(h) the compatibility of materials, such as cements, solvents, solders, and brazing materials, with the fluid service

(i) the chilling effect of sudden loss of pressure on highly volatile fluids as a factor in determining the lowest expected service temperature

(j) the possibility of pipe support failure resulting from exposure to low temperatures (which may embrittle the supports) or high temperatures (which may weaken them)

(k) the compatibility of materials, including sealants, gaskets, lubricants, and insulation, used in strong oxidizer fluid service (e.g., oxygen or fluorine)

(l) the possibility of adverse effects from microbiologically influenced corrosion (MIC) or its remediation

### F323.4 Specific Material Considerations — Metals

The following are some specific considerations that should be evaluated when applying certain metals in piping:

(a) *Irons — Cast, Malleable, and High Silicon (14.5%).* Their lack of ductility and their sensitivity to thermal and mechanical shock.

(b) *Carbon Steel, and Low and Intermediate Alloy Steels*

(1) the possibility of embrittlement when handling alkaline or strong caustic fluids

(2) the possible conversion of carbides to graphite during long time exposure to temperatures above 427°C (800°F) of carbon steels, plain nickel steel, carbon-manganese steel, manganese-vanadium steel, and carbon-silicon steel

(3) the possible conversion of carbides to graphite during long time exposure to temperatures above 468°C (875°F) of carbon-molybdenum steel, manganese-molybdenum-vanadium steel, and chromium-vanadium steel

(4) the advantages of silicon-killed carbon steel (0.1% silicon minimum) for temperatures above 482°C (900°F)

(5) the possibility of damage due to hydrogen exposure at elevated temperature (see API RP 941); hydrogen damage (blistering) may occur at lower temperatures under exposure to aqueous acid solutions<sup>1</sup>

(6) the possibility of stress corrosion cracking when exposed to cyanides, acids, acid salts, or wet hydrogen sulfide; a maximum hardness limit is usually specified (see NACE MR0175 or MR0103 and RP0472)<sup>1</sup>

(7) the possibility of sulfidation in the presence of hydrogen sulfide at elevated temperatures

(c) *High Alloy (Stainless) Steels*

(1) the possibility of stress corrosion cracking of austenitic stainless steels exposed to media such as chlorides and other halides either internally or externally; the latter can result from improper selection or application of thermal insulation, or from use of marking inks, paints, labels, tapes, adhesives, and other accessory materials containing chlorides or other halides

(2) the susceptibility to intergranular corrosion of austenitic stainless steels sensitized by exposure to temperatures between 427°C and 871°C (800°F and 1,600°F); as an example, stress corrosion cracking of sensitized metal at room temperature by polythionic acid (reaction

<sup>1</sup> Titles of referenced documents are

API RP 941, Steels for Hydrogen Service at Elevated Temperatures and Pressures in Petroleum Refineries and Petrochemical Plants

NACE MR0103, Materials Resistant to Sulfide Stress Cracking in Corrosive Petroleum Refining Environments

NACE MR0175, Sulfide Stress-Cracking Resistant Metallic Materials for Oil Field Equipment

NACE RP0472, Methods and Controls to Prevent In-Service Cracking of Carbon Steel (P-1) Welds in Corrosive Petroleum Refining Environments

NACE RP0170, Protection of Austenitic Stainless Steel in Refineries Against Stress Corrosion Cracking by Use of Neutralizing Solutions During Shutdown



of oxidizable sulfur compound, water, and air); stabilized or low carbon grades may provide improved resistance (see NACE RP0170)<sup>1</sup>

(3) the susceptibility to intercrystalline attack of austenitic stainless steels on contact with liquid metals (including aluminum, antimony, bismuth, cadmium, gallium, lead, magnesium, tin, and zinc) or their compounds

(4) the brittleness of ferritic stainless steels at room temperature after service at temperature above 371°C (700°F)

(d) *Nickel and Nickel Base Alloys*

(1) the susceptibility to grain boundary attack of nickel and nickel base alloys not containing chromium when exposed to small quantities of sulfur at temperatures above 316°C (600°F)

(2) the susceptibility to grain boundary attack of nickel base alloys containing chromium at temperatures above 593°C (1,100°F) under reducing conditions and above 760°C (1,400°F) under oxidizing conditions

(3) the possibility of stress corrosion cracking of nickel-copper Alloy 400 in hydrofluoric acid vapor in the presence of air, if the alloy is highly stressed (including residual stresses from forming or welding)

(e) *Aluminum and Aluminum Alloys*

(1) the compatibility with aluminum of thread compounds used in aluminum threaded joints to prevent seizing and galling

(2) the possibility of corrosion from concrete, mortar, lime, plaster, or other alkaline materials used in buildings or structures

(3) the susceptibility of Alloy Nos. 5083, 5086, 5154, and 5456 to exfoliation or intergranular attack; and the upper temperature limit of 66°C (150°F) shown in Appendix A to avoid such deterioration

(f) *Copper and Copper Alloys*

(1) the possibility of dezincification of brass alloys

(2) the susceptibility to stress-corrosion cracking of copper-based alloys exposed to fluids such as ammonia or ammonium compounds

(3) the possibility of unstable acetylide formation when exposed to acetylene

(g) *Titanium and Titanium Alloys.* The possibility of deterioration of titanium and its alloys above 316°C (600°F).

(h) *Zirconium and Zirconium Alloys.* The possibility of deterioration of zirconium and zirconium alloys above 316°C (600°F).

(i) *Tantalum.* Above 299°C (570°F), the possibility of reactivity of tantalum with all gases except the inert gases. Below 299°C, the possibility of embrittlement of tantalum by nascent (monatomic) hydrogen (but not molecular hydrogen). Nascent hydrogen is produced by galvanic action, or as a product of corrosion by certain chemicals.

(j) *Metals With Enhanced Properties.* The possible loss of strength, in a material whose properties have been enhanced by heat treatment, during long-continued exposure to temperatures above its tempering temperature.

(k) The desirability of specifying some degree of production impact testing, in addition to the weld procedure qualification tests, when using materials with limited low temperature service experience below the minimum temperature stated in Table A-1.

## F331 HEAT TREATMENT

### F331.1 Heat Treatment Considerations

Heat treatment temperatures listed in Table 331.1.1 for some P-No. 4 and P-No. 5 materials may be higher than the minimum tempering temperatures specified in the ASTM specifications for the base material. For higher-strength normalized and tempered materials, there is consequently a possibility of reducing tensile properties of the base material, particularly if long holding times at the higher temperatures are used.

## F335 ASSEMBLY AND ERECTION

### F335.9 Cleaning of Piping

The following are some general considerations that may be evaluated in determining the need for cleaning of piping:

(a) requirements of the service, including possible contaminants and corrosion products during fabrication, assembly, storage, erection, and testing.

(b) for low temperature service, removal of moisture, oil, grease, and other contaminants to prevent sticking of valves or blockage of piping and small cavities.

(c) for strong oxidizer fluid service (e.g., oxygen or fluorine), special cleaning and inspection. Reference may be made to the Compressed Gas Association's Pamphlet G-4.1 Cleaning Equipment for Oxygen Service.

### F335.10 Identification of Piping

Consideration should be given to identifying the contents of piping, with special consideration given to piping conveying flammable, hazardous, or fire-quenching fluids. Reference may be made to ASME A13.1, Scheme for the Identification of Piping Systems.

## F345 TESTING

### F345.4 Hydrostatic Leak Test

**F345.4.1 Test Fluid.** Consideration should be given to susceptibility to microbiologically influenced corrosion (MIC). This condition is especially prevalent in no-flow, high moisture environments. Internal MIC may also depend on the characteristics of the treated or untreated test fluid.

Internal MIC may be lessened or possibly eliminated by properly draining and drying systems and/or by proper selection of test fluid.

**(12) F345.5 Pneumatic Leak Test**

**F345.5.1 Precautions.** Consideration should be given to the risk associated with the release of stored energy and to the establishment of the minimum safe distance between personnel and the equipment being tested. Equations and considerations are available in ASME PCC-2, Repair of Pressure Equipment and Piping, Article 5.1.

**FA323 MATERIALS**

**(12) FA323.4 Material Considerations – Nonmetals**

The following are some considerations to be evaluated when applying nonmetals in piping. See also paras. F323 and F323.1.

(a) *Static Charges.* Because of the possibility of producing hazardous electrostatic charges in nonmetallic piping and metallic piping lined with nonmetals, consideration should be given to grounding such systems conveying nonconductive fluids.

(b) *Compressed Gases.* If nonmetallic piping is used above ground for compressed air or other compressed gases, special precautions should be observed. In determining the needed safeguarding for such services, the energetics and the specific failure mechanism need to be evaluated. Encasement of the plastic piping in shatter-resistant material may be considered.

(c) *Brittle Piping.* If borosilicate glass or other brittle piping material is used, take into account its lack of ductility and its sensitivity to thermal and mechanical shock.

**FU315 HYGIENIC CLAMP JOINTS**

**(12)**

To lower the probability of leaks in piping that is subject to transient temperature and pressure fluctuations, consider the use of a two-bolt clamp to increase clamping force in lieu of a hinged clamp for those processes that require

- (a) passivation
- (b) clean-in-place (CIP)
- (c) steam- (or sterilize-) in-place (SIP)

## APPENDIX G

# SAFEGUARDING

### G300 SCOPE

(a) Safeguarding is the provision of protective measures to minimize the risk of accidental damage to the piping or to minimize the harmful consequences of possible piping failure.

(b) In most instances, the safeguarding inherent in the facility (the piping, the plant layout, and its operating practices) is sufficient without need for additional safeguarding. In some instances, however, engineered safeguards must be provided.

(c) Appendix G outlines some considerations pertaining to the selection and utilization of safeguarding. Where safeguarding is required by the Code, it is necessary to consider only the safeguarding that will be suitable and effective for the purposes and functions stated in the Code or evident from the designer's analysis of the application.

#### G300.1 General Considerations

In evaluating a piping installation design to determine what safeguarding may exist or is necessary, the following should be reviewed:

(a) the hazardous properties of the fluid, considered under the most severe combination of temperature, pressure, and composition in the range of expected operating conditions.

(b) the quantity of fluid that could be released by piping failure, considered in relation to the environment, recognizing the possible hazards ranging from large releases of otherwise innocuous fluids to small leakages of toxic fluids.

(c) expected conditions in the environment, evaluated for their possible effect on the hazards caused by a possible piping failure. This includes consideration of ambient or surface temperature extremes, degree of ventilation, proximity of fired equipment, etc.

(d) the probable extent of operating, maintenance, and other personnel exposure, as well as reasonably probable sources of damage to the piping from direct or indirect causes.

(e) the probable need for grounding of static charges to prevent ignition of flammable vapors.

(f) the safety inherent in the piping by virtue of materials of construction, methods of joining, and history of service reliability.

#### G300.2 Safeguarding by Plant Layout and Operation

Representative features of plant layout and operation which may be evaluated and selectively utilized as safeguarding include

(a) plant layout features, such as open-air process equipment structures; spacing and isolation of hazardous areas; slope and drainage; buffer areas between plant operations and populated communities; or control over plant access

(b) protective installations, such as fire protection systems; barricades or shields; ventilation to remove corrosive or flammable vapors; instruments for remote monitoring and control; containment and/or recovery facilities; or facilities (e.g., incinerators) for emergency disposal of hazardous materials

(c) operating practices, such as restricted access to processing areas; work permit system for hazardous work; or special training for operating, maintenance, and emergency crews

(d) means for safe discharge of fluids released during pressure relief device operation, blowdown, cleanout, etc.

(e) procedures for startup, shutdown, and management of operating conditions, such as gradual pressurization or depressurization, and gradual warmup or cooldown, to minimize the possibility of piping failure, e.g., brittle fracture

#### G300.3 Engineered Safeguards

Engineered safeguards that may be evaluated and selectively applied to provide added safeguarding include

(a) means to protect piping against possible failures, such as

(1) thermal insulation, shields, or process controls to protect from excessively high or low temperature and thermal shock

(2) armor, guards, barricades, or other protection from mechanical abuse

(3) damping or stabilization of process or fluid flow dynamics to eliminate or to minimize or protect against destructive loads (e.g., severe vibration pulsations, cyclic operating conditions)

(b) means to protect people and property against harmful consequences of possible piping failure, such as confining and safely disposing of escaped fluid by shields for flanged joints, valve bonnets, gages, or sight glasses; or for the entire piping system if of frangible material; limiting the quantity or rate of fluid escaping by automatic shutoff or excess flow valves, additional block valves, flow-limiting orifices, or automatic shutdown of pressure source; limiting the quantity of fluid in process at any time, where feasible

(12)

## APPENDIX H

# SAMPLE CALCULATIONS FOR BRANCH REINFORCEMENT

### H300 INTRODUCTION (METRIC)

The following examples are intended to illustrate the application of the rules and definitions in para. 304.3.3 for welded branch connections.

### H301 EXAMPLE 1

A DN 200 (NPS 8) run (header) in an oil piping system has a DN 100 (NPS 4) branch at right angles (see Fig. H301). Both pipes are Schedule 40 API 5L Grade A seamless. The design conditions are 2 068 kPa at 200°C. The fillet welds at the crotch are minimum size in accordance with para. 328.5.4. A corrosion allowance of 2.5 mm is specified. Is additional reinforcement necessary?

#### Solution

From Appendix A,  $S = 110$  MPa for API 5L Grade A (Table A-1);  $E = 1.0$  for API 5L seamless (Table A-1B);  $W = 1.0$ .

$$T_h = (8.18)(0.875) = 7.16 \text{ mm}$$

$$T_b = (6.02)(0.875) = 5.27 \text{ mm}$$

$$L_4 = (2.5)(7.16 - 2.5) = 11.65 \text{ mm}$$

or  $(2.5)(5.27 - 2.5) = 6.93 \text{ mm}$ ,  
whichever is less  
 $= 6.93 \text{ mm}$

$$d_1 = [114.3 - (2)(5.27 - 2.5)]/(\sin 90 \text{ deg}) = 108.8 \text{ mm}$$

$$d_2 = (5.27 - 2.5) + (7.16 - 2.5) + 109/2$$

$$= 61.9 \text{ mm}$$

Use  $d_1$  or  $d_2$ , whichever is greater.

$$d_1 = 108.8 \text{ mm}$$

$$t_h = \frac{(2\ 068)(219.1)}{(2)(110,000)(1.0)(1.00) + (2)(0.4)(2\ 068)} = 2.04 \text{ mm}$$

$$t_b = \frac{(2\ 068)(114.3)}{(2)(110,000)(1.0)(1.00) + (2)(0.4)(2\ 068)} = 1.07 \text{ mm}$$

$$t_c = (0.7)(6.02) = 4.21 \text{ mm, or } 6 \text{ mm, whichever is less}$$

$$= 4.21 \text{ mm}$$

Minimum leg dimension of fillet weld

$$4.21/0.707 = 6.0 \text{ mm}$$

Thus, the required area

$$A_1 = (2.04)(108.8)(2 - \sin 90 \text{ deg}) = 222 \text{ mm}^2$$

The reinforcement area in run wall

$$A_2 = (108.8)(7.16 - 2.04 - 2.5) = 285 \text{ mm}^2$$

in branch wall

$$A_3 = (2)(6.93)[(5.27 - 1.07) - 2.5] = 24 \text{ mm}^2$$

in branch welds

$$A_4 = (2)(\frac{1}{2})(6.0)^2 = 36 \text{ mm}^2$$

The total reinforcement area = 345 mm<sup>2</sup>. This is more than the 222 mm<sup>2</sup> so that no additional reinforcement is required to sustain the internal pressure.

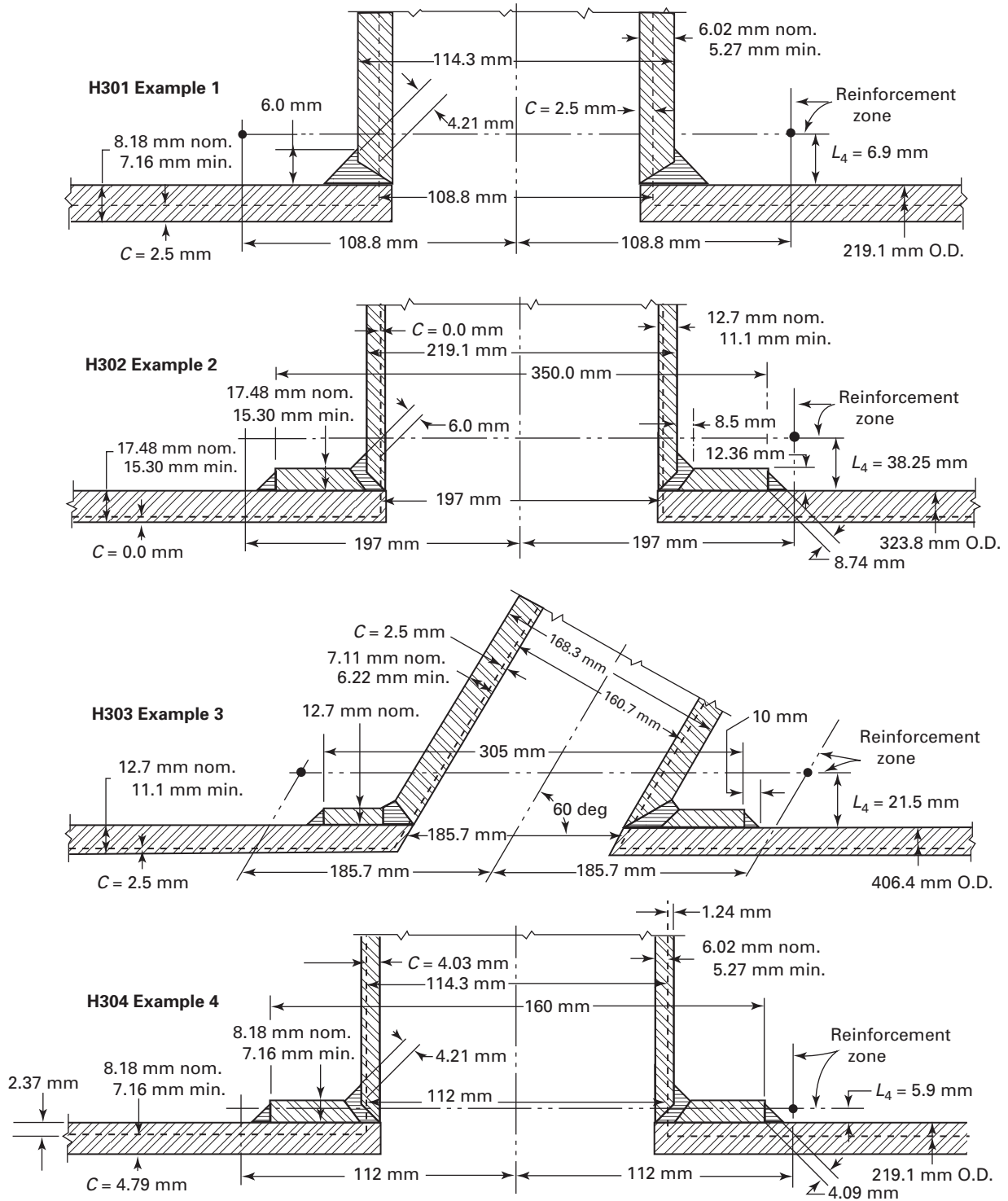
### H302 EXAMPLE 2

There is a DN 200 (NPS 8) branch at right angles to a DN 300 (NPS 12) header (Fig. H301). Both run and branch are of aluminum alloy Schedule 80 ASTM B241 6061-T6 seamless pipe. The connection is reinforced by a ring 350 mm O.D. (measured along the run) cut from a piece of DN 300 (NPS 12) Schedule 80 ASTM B241 6063-T6 seamless pipe and opened slightly to fit over the run pipe. Allowable stresses for welded construction apply in accordance with Appendix A, Note (33). The fillet welds have the minimum dimensions permitted in para. 328.5.4. A zero corrosion allowance is specified. What is the maximum permissible design pressure if the design temperature is -195°C?

#### Solution

From Table A-1,  $S = 55.2$  MPa for Grade 6061-T6 (welded) pipe and  $S = 39.3$  MPa for Grade 6063-T6 (welded) pad, both at -195°C. From Table A-1B,  $E = 1.0$  for ASTM B241;  $W = 1.0$ .

Fig. H301 Illustrations for Metric Examples in Appendix H



Leg dimensions of welds to the branch

$$t_c = \text{lesser of } 0.7\bar{T}_b \text{ or } 6 \text{ mm} \\ = 6 \text{ mm}$$

$$\frac{12.7}{0.707} \text{ or } \frac{6}{0.707} = 8.5 \text{ mm}$$

and to the reinforcing pad

$$\frac{0.5\bar{T}_r}{0.707} = \frac{(0.5)(17.48)}{0.707} = 12.36 \text{ mm}$$

$$T_h = (17.48)(0.875) = 15.3 \text{ mm}$$

$$T_b = (12.7)(0.875) = 11.1 \text{ mm}$$

$$T_t = (17.48)(0.875) = 15.3 \text{ mm}$$

$$L_4 = (2.5)(15.3 - 0.0) = 38.25 \text{ mm}$$

[This is smaller than  $(2.5)(11.1 - 0) + 15.3 = 43.05 \text{ mm}$ ]

$$d_1 = 219.1 - (2)(11.1 - 0) = 197 \text{ mm}$$

$$d_2 = d_1 \text{ because it is greater than } T_b + T_c + d_1/2$$

$$t_h = \frac{323.8P}{(2)(55\,200)(1.0)(1.0) + (2)(0.4)P}$$

$$t_b = \frac{219.1P}{(2)(55\,200)(1.0)(1.0) + (2)(0.4)P}$$

Using the symbol

$$q = \frac{P}{110\,400 + 0.8P}$$

we can briefly write

$$t_h = 323.8q \text{ and } t_b = 219.1q$$

The required area

$$A_1 = 197t_h = 63\,789q$$

The reinforcement area in the run wall

$$A_2 = (197)(15.3 - 323.8q - 0) \\ = 3\,014 - 63\,789q$$

in branch wall

$$A_3 = (2)(38.25)(11.1 - 219.1q - 0) \\ = 849 - 16\,761q$$

in reinforcing ring

$$A_4 = (15.3)(350 - 219.1)(39\,300/55\,200) = 1\,426 \text{ mm}^2$$

in fillet welds

$$A_4 = (2)(\frac{1}{2})(8.5)^2 + (2)(\frac{1}{2})(12.36)^2 = 225 \text{ mm}^2$$

The total reinforcement area =  $5\,514 - 80\,550q$ .

At the maximum permissible normal operating pressure, the required area and the reinforcement area are equal; thus

$$63\,789q = 5\,514 - 80\,550q$$

$$144\,339q = 5\,514$$

$$q = 0.0382$$

But also

$$q = \frac{P}{(110\,400 + 0.8P)}$$

Thus

$$P = (0.0382)(110\,400 + 0.8P) = 4\,217 + 0.03P$$

$$0.97P = 4\,217$$

$$P = 4\,347 \text{ kPa}$$

### H303 EXAMPLE 3

A DN 150 (NPS 6) Schedule 40 branch has its axis at a 60 deg angle to the axis of a DN 400 (NPS 16) Schedule 40 run (header) in an oil piping system (Fig. H301). Both pipes are API 5L Grade A seamless. The connection is reinforced with a ring 305 mm O.D. (measured along the run) made from 12.7 mm ASTM A285 Grade C plate. All fillet welds are equivalent to 45 deg fillet welds with 10 mm legs. Corrosion allowance = 2.5 mm. The design pressure is 3 450 kPa at 370°C. Is the design adequate for the internal pressure?

#### Solution

From Appendix A,  $S = 99.3 \text{ MPa}$  for API 5L Grade A and ASTM A285 Grade C (Table A-1);  $E = 1.0$  for API 5L seamless pipe (Table A-1B);  $W = 1.0$ .

$$T_h = (12.7)(0.875) = 11.1 \text{ mm}$$

$$T_b = (7.11)(0.875) = 6.22 \text{ mm}$$

$$T_r = 12.7 \text{ mm}$$

$$L_4 = \text{lesser of } (2.5)(6.22 - 2.5) + 12.7 = 22 \text{ mm} \\ \text{or } (2.5)(11.1 - 2.5) = 21.5 \text{ mm} \\ = 21.5 \text{ mm}$$

$$t_h = \frac{(3\,450)(406.4)}{(2)(99\,300)(1.0)(1.0) + (2)(0.4)(3\,450)} = 6.96 \text{ mm}$$

$$t_b = \frac{(3\,450)(168.3)}{(2)(99\,300)(1.0)(1.0) + (2)(0.4)(3\,450)} = 2.88 \text{ mm}$$

$$d_1 = d_2 = \frac{168.3 - (2)(6.22 - 2.5)}{\sin 60 \text{ deg}} = \frac{160.9}{0.866} = 185.7 \text{ mm}$$

The required area

$$A_1 = (6.96)(185.7)(2 - 0.866) = 1\,466 \text{ mm}^2$$

The reinforcement in the run wall

$$A_2 = (185.7)(11.1 - 6.96 - 2.5) = 305 \text{ mm}^2$$

in branch wall

$$A_3 = (2) \left( \frac{21.5}{0.866} \right) (6.22 - 2.88 - 2.5) = 41.7 \text{ mm}^2$$

in ring

$$A_4 = (12.7) \left( 305 - \frac{168.3}{0.866} \right) = 1\,405 \text{ mm}^2$$

in fillet welds

$$A_4 = (4)(\frac{1}{2})(10)^2 = 200 \text{ mm}^2$$

The total reinforcement is

$$200 + 1\,405 + 41.7 + 305 = 1\,952 \text{ mm}^2$$

This total is greater than the  $1\,466 \text{ mm}^2$ , so that no additional reinforcement is required.

### H304 EXAMPLE 4

A DN 200 (NPS 8) run (header) in an oil piping system has a DN 100 (NPS 4) branch at right angles (Fig. H301). Both pipes are Schedule 40 API 5L Grade A seamless. The design conditions are 2 400 kPa at 205°C. It is assumed that the piping system is to remain in service until all metal thickness, in both branch and run, in excess of that required by eq. (3a) of para. 304.1.2 has corroded away so that area  $A_2$  as defined in para. 304.3.3(c)(1) is zero. What reinforcement is required for this connection?

#### Solution

From Appendix A,  $S = 110 \text{ MPa}$  for API 5L Grade A (Table A-1);  $E = 1.0$  for API 5L seamless (Table A-1B);  $W = 1.0$ .

$$t_h = \frac{(2\,400)(219.1)}{(2)(110\,000)(1.0)(1.0) + (2)(0.4)(2\,400)} = 2.37 \text{ mm}$$

$$t_b = \frac{(2\,400)(114.3)}{(2)(110\,000)(1.0)(1.0) + (2)(0.4)(2\,400)} = 1.24 \text{ mm}$$

$$d_1 = 114.3 - (2)(1.24) = 112 \text{ mm}$$

Required reinforcement area

$$A_1 = (2.37)(112) = 265 \text{ mm}^2$$

Try fillet welds only

$$L_4 = (2.5)(2.37) = 5.9 \text{ mm}$$

$$\text{or } (2.5)(1.24) = 3.1 \text{ mm}$$

Use 3.1 mm.

Due to limitation in the height at the reinforcement zone, no practical fillet weld size will supply enough reinforcement area; therefore, the connection must be further reinforced. Try a 160 mm O.D. reinforcing ring (measured along the run). Assume the ring to be cut from a piece of DN 200 (NPS 8) Schedule 40 API 5L Grade A seamless pipe and welded to the connection with minimum size fillet welds.

Minimum ring thickness

$$T_r = (8.18)(0.875) = 7.16 \text{ mm}$$

$$\text{New } L_4 = (2.5)(1.24) + 7.16 = 10.3 \text{ mm}$$

$$\text{or } (2.5)(2.37) = 5.9 \text{ mm}$$

Use 5.9 mm.

Reinforcement area in the ring (considering only the thickness within  $L_4$ )

$$X_1 = (5.9)(160 - 114.3) = 270 \text{ mm}^2$$

$$\text{Leg dimension of weld} = \frac{(0.5)(8.18)}{0.707} = 5.8 \text{ mm}$$

Reinforcement area in fillet welds

$$X_2 = (2)(\frac{1}{2})(5.8)^2 = 34 \text{ mm}^2$$

Total reinforcement area

$$A_4 = X_1 + X_2 = 304 \text{ mm}^2$$

This total reinforcement area is greater than the required area; therefore, a reinforcing ring 160 mm O.D., cut from a piece of DN 200 (NPS 8) Schedule 40 API 5L Grade A seamless pipe and welded to the connection with minimum size fillet welds would provide adequate reinforcement for this connection.

**H305 EXAMPLE 5 (Not Illustrated)**

A DN 40 (NPS 1½) Class 3000 forged steel socket welding coupling has been welded at right angles to a DN 200 (NPS 8) Schedule 40 run (header) in oil service, using a weld conforming to sketch (1) of Fig. 328.5.4D. The run is ASTM A53 Grade B seamless pipe. The design pressure is 2760 kPa and the design temperature is 230°C. The corrosion allowance is 2.5 mm. Is additional reinforcement required?

**Solution**

No. According to para. 304.3.2(b), the design is adequate to sustain the internal pressure and no calculations are necessary. It is presumed, of course, that calculations have shown the run pipe to be satisfactory for the service conditions according to eqs. (2) and (3).

**H310 INTRODUCTION (U.S. CUSTOMARY)**

The following examples are intended to illustrate the application of the rules and definitions in para. 304.3.3 for welded branch connections.

**H311 EXAMPLE 1**

An NPS 8 run (header) in an oil piping system has an NPS 4 branch at right angles (see Fig. H311). Both pipes are Schedule 40 API 5L Grade A seamless. The design conditions are 300 psig at 400°F. The fillet welds at the crotch are minimum size in accordance with para. 328.5.4. A corrosion allowance of 0.10 in. is specified. Is additional reinforcement necessary?

**Solution**

From Appendix A,  $S = 16.0$  ksi for API 5L Grade A (Table A-1);  $E = 1.0$  for API 5L seamless (Table A-1B);  $W = 1.0$ .

$$T_h = (0.322)(0.875) = 0.282 \text{ in.}$$

$$T_b = (0.237)(0.875) = 0.207 \text{ in.}$$

$$L_4 = (2.5)(0.282 - 0.1) = 0.455 \text{ in.}$$

or  $(2.5)(0.207 - 0.1) + 0 = 0.268 \text{ in.}$ ,  
whichever is less  
 $= 0.268 \text{ in.}$

$$d_1 = [4.5 - (2)(0.207 - 0.1)]/\sin 90 \text{ deg} = 4.286 \text{ in.}$$

$$d_2 = (0.207 - 0.1) + (0.282 - 0.1) + 4.286/2$$

$$= 2.432 \text{ in.}$$

Use  $d_1$  or  $d_2$ , whichever is greater.

$$d_1 = 4.286 \text{ in.}$$

$$t_h = \frac{(300)(8.625)}{(2)(16,000)(1.0)(1.0) + (2)(0.4)(300)} = 0.080 \text{ in.}$$

$$t_b = \frac{(300)(4.500)}{(2)(16,000)(1.0)(1.0) + (2)(0.4)(300)} = 0.042 \text{ in.}$$

$$t_c = (0.7)(0.237) = 0.166 \text{ in.}, \text{ or } 0.25, \text{ whichever is less}$$

$$= 0.166 \text{ in.}$$

Minimum leg dimension of fillet weld

$$0.166/0.707 = 0.235 \text{ in.}$$

Thus, the required area

$$A_1 = (0.080)(4.286)(2 - \sin 90 \text{ deg}) = 0.343 \text{ sq in.}$$

The reinforcement area in run wall

$$A_2 = (4.286)(0.282 - 0.08 - 0.10) = 0.437 \text{ sq in.}$$

in branch wall

$$A_3 = (2)(0.268) [(0.207 - 0.042) - 0.10] = 0.035 \text{ sq in.}$$

in branch welds

$$A_4 = (2)(\frac{1}{2})(0.235)^2 = 0.055 \text{ sq in.}$$

The total reinforcement area = 0.527 sq in. This is more than 0.343 sq in. so that no additional reinforcement is required to sustain the internal pressure.

**H312 EXAMPLE 2**

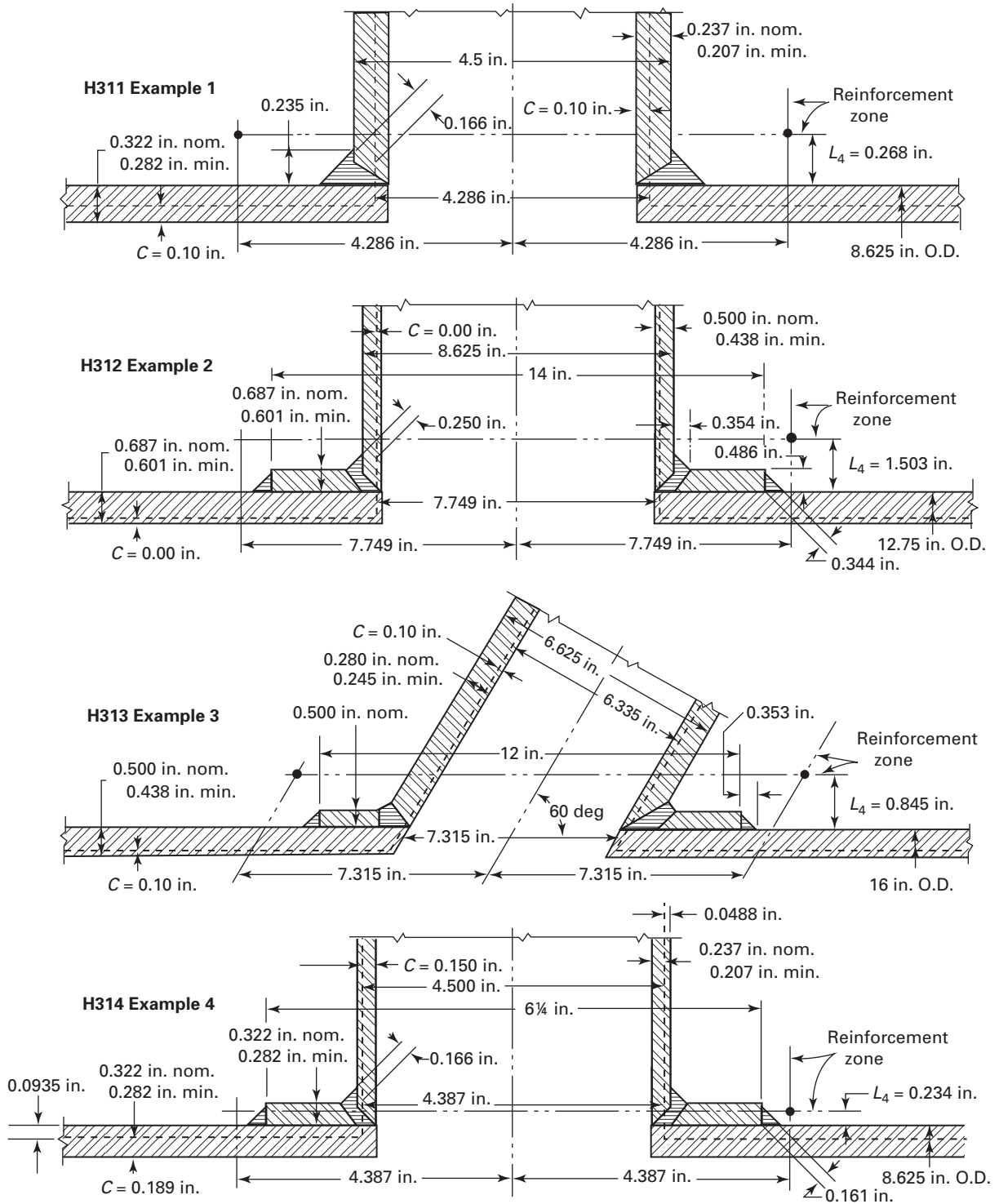
There is an NPS 8 branch at right angles to an NPS 12 header (Fig. H311). Both run and branch are of aluminum alloy Schedule 80 ASTM B241 6061-T6 seamless pipe. The connection is reinforced by a ring 14 in. O.D. (measured along the run) cut from a piece of NPS 12 Schedule 80 ASTM B241 6063-T6 seamless pipe and opened slightly to fit over the run pipe. Allowable stresses for welded construction apply in accordance with Appendix A, Note (33). The fillet welds have the minimum dimensions permitted in para. 328.5.4. A zero corrosion allowance is specified. What is the maximum permissible design pressure if the design temperature is -320°F?

**Solution**

From Table A-1,  $S = 8.0$  ksi for Grade 6061-T6 (welded) pipe and  $S = 5.7$  ksi for Grade 6063-T6 (welded) pad, both at -320°F. From Table A-1B,  $E = 1.0$  for ASTM B241;  $W = 1.0$ .



Fig. H311 Illustrations for U.S. Customary Examples in Appendix H



Leg dimensions of welds

$$\frac{t_c}{0.707} = \frac{0.250}{0.707} = 0.354 \text{ in.}$$

$$\frac{(0.5)(0.687)}{0.707} = 0.486 \text{ in.}$$

$$T_h = (0.687)(0.875) = 0.601 \text{ in.}$$

$$T_b = (0.500)(0.875) = 0.438 \text{ in.}$$

$$T_r = (0.687)(0.875) = 0.601 \text{ in.}$$

$$L_4 = (2.5)(0.601 - 0.00) = 1.503 \text{ in.}$$

[This is smaller than  $(2.5)(0.438 - 0.00) + 0.601 = 1.696$  in.]

$$d_2 = d_1 = 8.625 - (2)(0.438 - 0.00) = 7.749 \text{ in.}$$

$$t_h = \frac{12.75P}{(2)(8,000)(1.0)(1.0) + (2)(0.4)(P)}$$

$$t_b = \frac{8.625P}{(2)(8,000)(1.0)(1.0) + (2)(0.4)(P)}$$

Using the symbol

$$q = \frac{P}{16,000 + 0.8P}$$

we can briefly write

$$t_h = 12.75q \text{ and } t_b = 8.625q$$

The required area

$$A_1 = 7.749t_h = 98.80q$$

The reinforcement area in run wall

$$A_2 = (7.749)(0.601 - 12.75q - 0.00)$$

$$= 4.657 - 98.80q$$

in branch wall

$$A_3 = (2)(1.503)(0.438 - 8.625q - 0.00)$$

$$= 1.317 - 25.93q$$

in ring

$$A_4 = (0.601)(14 - 8.625)(5,700/8,000) = 2.302$$

in fillet welds

$$A_4 = (2)(\frac{1}{2})(0.354)^2 + (2)(\frac{1}{2})(0.486)^2 = 0.362$$

The total reinforcement area =  $8.638 - 124.73q$ .

At the maximum permissible normal operating pressure, the required area and the reinforcement area are equal; thus

$$98.80q = 8.638 - 124.73q$$

$$223.53q = 8.638$$

$$q = 0.0386$$

But also

$$q = \frac{P}{16,000 + 0.8P}$$

Thus

$$P = (0.0386)(16,000 + 0.8P) = 618.3 + 0.0309P$$

$$0.961P = 618.3$$

$$P = 643.1 \text{ psig}$$

which is the maximum permissible design pressure.

### H313 EXAMPLE 3

An NPS 6 Schedule 40 branch has its axis at a 60 deg angle to the axis of an NPS 16 Schedule 40 run (header) in an oil piping system (Fig. H311). Both pipes are API 5L Grade A seamless. The connection is reinforced with a ring 12 in. O.D. (measured along the run) made from  $\frac{1}{2}$  in. ASTM A285 Grade C plate. All fillet welds are equivalent to 45 deg fillet welds with  $\frac{3}{8}$  in. legs. Corrosion allowance = 0.10 in. The design pressure is 500 psig at 700°F. Is the design adequate for the internal pressure?

#### Solution

From Appendix A,  $S = 14.4$  ksi for API 5L Grade A and ASTM A285 Grade C (Table A-1);  $E = 1.0$  for API 5L seamless pipe (Table A-1B);  $W = 1.0$ .

$$T_h = (0.500)(0.875) = 0.438 \text{ in.}$$

$$T_b = (0.280)(0.875) = 0.245 \text{ in.}$$

$$T_r = 0.500 \text{ in.}$$

$$L_4 = (2.5)(0.245 - 0.10) + 0.500 = 0.8625$$

This is greater than  $2.5(0.438 - 0.10) = 0.845$  in.

$$t_h = \frac{(500)(16)}{(2)(14,400)(1.0)(1.0) + (2)(0.4)(500)} = 0.274 \text{ in.}$$

$$t_b = \frac{(500)(6.625)}{(2)(14,400)(1.0)(1.0) + (2)(0.4)(500)} = 0.113 \text{ in.}$$

$$d_2 = d_1 = \frac{6.625 - (2)(0.245 - 0.10)}{\sin 60 \text{ deg}} = \frac{6.335}{0.866} = 7.315 \text{ in.}$$

The required area

$$A_1 = (0.274)(7.315)(2 - 0.866) = 2.27 \text{ sq in.}$$

The reinforcement in the run wall

$$A_2 = (7.315)(0.438 - 0.274 - 0.10) = 0.468 \text{ sq in.}$$

in branch wall

$$A_3 = (2) \left( \frac{0.845}{0.866} \right) (0.245 - 0.113 - 0.10) = 0.062 \text{ sq in.}$$

in ring

$$A_4 = (0.500) \left( 12 - \frac{6.625}{0.866} \right) = 2.175 \text{ sq in.}$$

in fillet welds

$$A_4 = (4) \left( \frac{1}{2} \right) \left( \frac{3}{8} \right)^2 = 0.281 \text{ sq in.}$$

The total reinforcement = 2.986 sq in. This total is greater than 2.27 sq in., so that no additional reinforcement is required.

### H314 EXAMPLE 4

An NPS 8 run (header) in an oil piping system has an NPS 4 branch at right angles (Fig. H311). Both pipes are Schedule 40 API 5L Grade A seamless. The design conditions are 350 psig at 400°F. It is assumed that the piping system is to remain in service until all metal thickness, in both branch and run, in excess of that required by eq. (3a) of para. 304.1.2 has corroded away so that area  $A_2$  as defined in para. 304.3.3(c)(1) is zero. What reinforcement is required for this connection?

#### Solution

From Appendix A,  $S = 16.0$  ksi for API 5L Grade A (Table A-1);  $E = 1.0$  for API 5L seamless (Table A-1B);  $W = 1.0$ .

$$t_h = \frac{(350)(8.625)}{(2)(16,000)(1.0)(1.0) + (2)(0.4)(350)} = 0.0935 \text{ in.}$$

$$t_b = \frac{(350)(4.500)}{(2)(16,000)(1.0)(1.0) + (2)(0.4)(350)} = 0.0488 \text{ in.}$$

$$d_1 = 4.500 - (2)(0.0488) = 4.402 \text{ in.}$$

Required reinforcement area

$$A_1 = (0.0935)(4.402) = 0.412 \text{ sq in.}$$

Try fillet welds only

$$L_4 = (2.5)(0.0935) = 0.234 \text{ in.}$$

$$\text{or } (2.5)(0.0488) = 0.122 \text{ in.}$$

Use 0.122 in.

Due to limitation in the height at the reinforcement zone, no practical fillet weld size will supply enough reinforcement area; therefore, the connection must be further reinforced. Try a  $6\frac{1}{4}$  in. O.D. reinforcing ring (measured along the run). Assume the ring to be cut from a piece of NPS 8 Schedule 40 API 5L Grade A seamless pipe and welded to the connection with minimum size fillet welds.

Minimum ring thickness

$$T_r = (0.322)(0.875) = 0.282 \text{ in.}$$

$$\text{New } L_4 = (2.5)(0.0488) + 0.282 = 0.404 \text{ in.}$$

$$\text{or } (2.5)(0.0935) = 0.234 \text{ in.}$$

Use 0.234 in.

Reinforcement area in the ring (considering only the thickness within  $L_4$ )

$$X_1 = (0.234)(6.25 - 4.5) = 0.410 \text{ sq in.}$$

$$\text{Leg dimension of weld} = \frac{(0.5)(0.322)}{0.707} = 0.228 \text{ in.}$$

Reinforcement area in fillet welds

$$X_2 = (2) \left( \frac{1}{2} \right) (0.228)^2 = 0.052 \text{ sq in.}$$

Total reinforcement area

$$A_4 = X_1 + X_2 = 0.462 \text{ sq in.}$$

This total reinforcement area is greater than the required area; therefore, a reinforcing ring  $6\frac{1}{4}$  in. O.D., cut from a piece of NPS 8 Schedule 40 API 5L Grade A seamless pipe and welded to the connection with minimum size fillet welds would provide adequate reinforcement for this connection.

**H315 EXAMPLE 5 (Not Illustrated)**

An NPS 1½ Class 3000 forged steel socket welding coupling has been welded at right angles to an NPS 8 Schedule 40 run (header) in oil service, using a weld conforming to sketch (1) of Fig. 328.5.4D. The run is ASTM A53 Grade B seamless pipe. The design pressure is 400 psi and the design temperature is 450°F. The corrosion allowance is 0.10 in. Is additional reinforcement required?

**Solution**

No. According to para. 304.3.2(b), the design is adequate to sustain the internal pressure and no calculations are necessary. It is presumed, of course, that calculations have shown the run pipe to be satisfactory for the service conditions according to eqs. (2) and (3).

## APPENDIX J NOMENCLATURE

Symbol	Definition	Units [Note (1)]		Reference		
		SI	U.S.	Paragraph	Table/Fig./App.	Equation
$A$	Factor for determining minimum value of $R_1$	...	...	304.2.3	...	(5)
$A_f$	Conveyed fluid cross-sectional area considering nominal pipe thickness less allowances	mm <sup>2</sup>	in. <sup>2</sup>	320.2 S300.1	...	(23d)
$A_p$	Pipe cross-sectional area considering nominal pipe thickness less allowances	mm <sup>2</sup>	in. <sup>2</sup>	320.2 S300.1	...	(23d)
$A_p$	Cross-sectional area of pipe	mm <sup>2</sup>	in. <sup>2</sup>	319.4.4 P319.4.4	...	(17) (P17a) (P17b)
$A_1$	Area required for branch reinforcement	mm <sup>2</sup>	in. <sup>2</sup>	304.3.3 304.3.4	304.3.3 304.3.4 H300	(6) (6a) (9) (9a)
$A_2$	Area available for branch reinforcement in run pipe	mm <sup>2</sup>	in. <sup>2</sup>	304.3.3 304.3.4	304.3.3 304.3.4 H300	(6a) (7) (9a) (10)
$A_3$	Area available for branch reinforcement in branch pipe	mm <sup>2</sup>	in. <sup>2</sup>	304.3.3 304.3.4	304.3.3 304.3.4 H300	(6a) (8) (9a) (11)
$A_4$	Area available for branch reinforcement in pad or connection	mm <sup>2</sup>	in. <sup>2</sup>	304.3.3 304.3.4	304.3.3 304.3.4 H300	(6a) (9a) (12)
$C$	Cold spring factor	...	...	319.5.1	...	(21) (22)
$C$	Material constant used in computing Larson-Miller parameter	...	...	V303.1.3 V303.1.4	...	(V2) (V3)
$C_x$	Size of fillet weld, socket welds other than flanges	mm	in.	...	328.5.2C D300	...
$C_1$	Estimated self-spring or relaxation factor	...	...	319.5.1	...	(22)
$c$	Sum of mechanical allowances (thread or groove depth) plus corrosion and erosion allowances	mm	in.	302.3.5 302.4 304.1.1 304.1.2 304.2.3 304.3.3 304.3.4 304.4.1 304.5.2 304.5.3 A304.1.1 H300 K302.3.5 K304.1.1 K304.1.2 K304.5.2 K304.5.3 K304.8.3 S300 S301.2	304.3.3 304.3.4 328.5.5 H301	(2) (3b) (4a) (4b) (4c) (5) (7) (8) (10) (11) (12) (13) (14) (15) (25) (33) (36) (37)

Symbol	Definition	Units [Note (1)]		Reference		
		SI	U.S.	Paragraph	Table/Fig./App.	Equation
$c_i$	Sum of internal allowances	mm	in.	K304.1.1 K304.1.2	...	(34b) (34d) (35a) (35b) (35c) (35d)
$c_o$	Sum of external allowances	mm	in.	K304.1.1 K304.1.2	...	(34a) (34c) (35a) (35b) (35c) (35d)
$c_1$	Correction factor	...	...	...	D300	...
$D$	Outside diameter of pipe as listed in tables of standards and specifications or as measured	mm	in.	304.1.1 304.1.2 304.1.3 304.2.3 319.4.1 A304.1.1 A304.1.2 A328.2.5 K304.1.1 K304.1.2 K304.1.3 K304.8.3 S301.2	304.1.1 304.2.3 D300 K305.1.2	(3a) (3b) (3c) (3d) (3e) (5) (16) (26a) (26b) (26c) (27) (34a) (34c) (35a) (35c) (37)
$D_b$	Outside diameter of branch pipe	mm	in.	304.3.1 304.3.3 304.3.4	304.3.3 304.3.4 D300	...
$D_h$	Outside diameter of header pipe	mm	in.	304.3.1 304.3.3 304.3.4	304.3.3 304.3.4	...
$d$	Inside diameter of pipe (note differences in definition between paras. 304.1.1 and K304.1.1)	mm	in.	304.1.1 304.1.2 K304.1.1 K304.1.2 S302.6.1	D300 K305.1.2	(3b) (34b) (34d) (35b) (35d)
$d$	Pipe inside diameter considering nominal pipe thickness less allowances	mm	in.	320.2	...	(23d)
$d_b$	Inside diameter of branch pipe	mm	in.	...	304.3.4	...
$d_g$	Inside or pitch diameter of gasket	mm	in.	304.5.3	304.5.3	(15)
$d_h$	Inside diameter of header pipe	mm	in.	...	304.3.4	...
$d_x$	Design inside diameter of extruded outlet	mm	in.	304.3.4	304.3.4	(9) (10)
$d_1$	Effective length removed from pipe at branch	mm	in.	304.3.3 H300	304.3.3	(6) (7)
$d_2$	Half-width of reinforcement zone	mm	in.	304.3.3 304.3.4 H300	304.3.3 304.3.4	(7) (10)

Symbol	Definition	Units [Note (1)]		Reference		
		SI	U.S.	Paragraph	Table/Fig./App.	Equation
$E$	Quality factor	...	...	302.3.1 304.1.1 304.1.2 304.2.3 304.3.3 304.4.1 304.5.1 304.5.2 304.5.3 305.2.3 K304.5.3 S301.1 S301.2 S303.1	H300	(3a) (3b) (3c) (4a) (4b) (4c) (15)
$E$	Modulus of elasticity (at specified condition)	MPa	ksi	A319.3.2 X302.2.3	App. C D300	(X3)
$E_a$	Reference modulus of elasticity at 21°C (70°F)	MPa	ksi	319.3.2 319.4.1 319.4.4 319.5 319.5.1 P319.4.4 P319.5	...	(21) (22)
$E_c$	Casting quality factor	...	...	302.3.1 302.3.3 302.3.6 305.2.3 306.1.4 K302.3.3 K306.1.1	302.3.3C Table A-1A	...
$E_j$	Joint quality factor	...	...	302.3.1 302.3.4 305.2.3 306.1.4 321.1.3 341.4.1 341.5.1 K302.3.4 K305.1.1 K306.1.1 X302.2.2	302.3.4 Table A-1B	...
$E_j$	Modulus of elasticity for the condition being considered; the as-installed and operating conditions are subscripted as $j = 1, 2, 3, \dots$	MPa	ksi	...	D300	...
$E_m$	Modulus of elasticity at maximum or minimum temperature	MPa	ksi	319.3.2 319.5.1	...	(21) (22)
$E_m$	Modulus of elasticity at the temperature of the condition	MPa	ksi	P319.5	...	...
$E_t$	Modulus of elasticity at test temperature	MPa	ksi	X302.2.3	...	(X3)

Symbol	Definition	Units [Note (1)]		Reference		
		SI	U.S.	Paragraph	Table/Fig./App.	Equation
$F$	Service (design) factor	...	...	A302.3.2 A304.1.1 A304.1.2	...	(26c)
$F_a$	Range of axial forces due to displacement strains between any two conditions being evaluated	N	lbf	319.4.4	...	(17)
$F_a$	Sustained longitudinal force	N	lb	320.2	...	(23d)
$F_a$	Axial force	N	lbf × 1,000 (kips)	P319.4.4	...	(P17a) (P17b)
$f$	Stress range factor	...	...	302.3.5 P302.3.5 S301.1	...	(1a) (1b) (1c) (P1a)
$f$	Stress range reduction factor	...	...	P302.3.5	...	(P1a)
$f_m$	Maximum value of stress range factor	...	...	302.3.5	...	(1c)
$g$	Root gap for welding	mm	in.	K328.4.3	328.4.4 K328.5.4	...
$h$	Flexibility characteristic	...	...	...	D300	...
$h_x$	Height of extruded outlet	mm	in.	304.3.4	304.3.4	...
$l_a$	Sustained longitudinal index	...	...	320.2	...	(23d)
$l_i$	Sustained in-plane index	...	...	320.2	...	(23b)
$l_o$	Sustained out-plane index	...	...	320.2	...	(23b)
$l_t$	Sustained torsional index	...	...	320.2	...	(23c)
$i$	Stress intensification factor	...	...	319.3.6	D300	...
$i_a$	Axial force stress intensification factor	...	...	319.4.4 P319.4.4	...	(17) (P17a) (P17b)
$i_i$	In-plane stress intensification factor	...	...	319.4.4 320.2 S301.3 S301.6 S301.7	D300	(18) (19) (20) (23b)
$i_o$	Out-plane stress intensification factor	...	...	319.4.4 320.2 P319.4.4	D300	(18) (19) (20) (23b)
$i_t$	Torsional stress intensification factor	...	...	319.4.4	...	(17)
$K$	Factor determined by ratio of branch diameter to run diameter	...	...	304.3.4	304.3.4	(9)
$K_s$	Factor for statistical variation in test results (see para. X3.1.3)	...	...	X302.1.3	...	(X2)
$K_1$	Constant in empirical flexibility equation	...	...	319.4.1	...	(16)



Symbol	Definition	Units [Note (1)]		Reference		
		SI	U.S.	Paragraph	Table/Fig./App.	Equation
$k$	Flexibility factor	...	...	319.3.6	D300	...
$L$	Developed length of piping between anchors	m	ft	304.1.3 319.4.1 K304.2.4	...	(16)
$L_4$	Height of reinforcement zone outside run pipe	mm	in.	304.3.3 H300	304.3.3 H301	(8)
$L_5$	Height of reinforcement zone for extruded outlet	mm	in.	304.3.4	304.3.4	(11)
$LMP$	Larson-Miller parameter, used to estimate design life	...	...	V303.1.3 V303.1.4	...	(V2) (V3)
$M$	Length of full thickness pipe adjacent to miter bend	mm	in.	304.2.3	304.2.3	...
$M_i$	In-plane bending moment	N-mm	in.-lbf	319.4.4	319.4.4A 319.4.4B	(18) (19) (20)
$M_o$	Out-plane bending moment	N-mm	in.-lbf	319.4.4	319.4.4A 319.4.4B	(18) (19) (20)
$M_i$	In-plane bending moment for the sustained condition being evaluated	N-mm	in.-lbf	320.2	...	(23b)
$M_o$	Out-plane bending moment for the sustained condition being evaluated	N-mm	in.-lbf	320.2	...	(23b)
$M_t$	Sustained torsional moment	N-mm	in.-lbf	320.2	...	(23c)
$M_t$	Torsional moment	N-mm	in.-lbf	319.4.4	319.4.4A 319.4.4B	...
$m$	Misfit of branch pipe	mm	in.	328.4.3 K328.4.3	328.4.4 K328.5.4	...
$N$	Equivalent number of full displacement cycles	...	...	300.2 302.3.5 319.4.5	302.3.5	(1c) (1d)
$N$	Equivalent number of full operating cycles	...	...	P300.2 P302.3.5 P319.4.4	...	(P1d)
$N_c$	Number of design cycles	...	...	...	X302.1.3	...
$N_{ct}$	Number of cycles to failure in bellows fatigue test	...	...	X302.1.3	...	...
$N_E$	Number of cycles of maximum computed displacement stress range	...	...	302.3.5	...	(1d)
$N_E$	Number of cycles of maximum computed operating stress range	...	...	P302.3.5	...	(P1d)
$N_i$	Number of cycles associated with displacement stress range, $S_i$ ( $i = 1, 2, \dots$ )	...	...	302.3.5	...	(1d)

Symbol	Definition	Units [Note (1)]		Reference		
		SI	U.S.	Paragraph	Table/Fig./App.	Equation
$N_i$	Number of cycles associated with operating stress range, $S_i$ ( $i = 1, 2, \dots$ )	...	...	P302.3.5	...	(P1d)
$N_t$	Number of fatigue tests performed to develop the material factor, $X_m$	...	...	X302.1.3	...	(X2)
$P$	Design gage pressure	kPa	psi	304.1.1 304.1.2 304.2.1 304.4.1 304.5.1 304.5.2 304.5.3 345.4.2 A304.1.1 A304.1.2 A304.5.1 H300 K304.1.2 K304.7.2 K304.8.3 S301.2	D300	(3a) (3b) (3c) (15) (24) (26a) (26b) (26c) (34a) (34b) (34c) (34d) (35a) (35b) (35c) (35d) (37)
$P_{a2}$	See BPV Code, Section VIII, Division 1, UG-28	...	...	304.1.3	...	...
$P_i$	Gage pressure during service condition $i$	kPa	psi	V303.1.1	...	(V1)
$P_j$	Piping internal gage pressure for the condition being considered; the as-installed and operating conditions are subscripted as $j = 1, 2, 3, \dots$	kPa	psi	320.2 S300.1 S301 S302 S303	D300 S301.1 S301.3.1 S302.1 S302.6.2.1	(23d) D300, Note (7)
$P_m$	Maximum allowable internal pressure for miter bends	kPa	psi	304.2.3	...	(4a) (4b) (4c)
$P_{max}$	Maximum allowable gage pressure for continuous operation of component at maximum design temperature	kPa	psi	V303.1.1	...	(V1)
$P_S$	Limiting design pressure based on column instability, for convoluted U-shaped bellows	kPa	psi	X302.2.3	...	(X3)
$P_T$	Minimum test gage pressure	kPa	psi	345.4.2 A382.2.5 X302.2.3	...	(24) (27) (X3)
$R$	Range of reaction forces or moments in flexibility analysis	N or N-mm	lbf or in.-lbf	319.5 319.5.1	...	(21)
$R_a$	Estimated instantaneous reaction force or moment at installation temperature	N or N-mm	lbf or in.-lbf	319.5.1	...	...
$R_a$	Roughness average	$\mu\text{m}$	$\mu\text{in.}$	K302.3.3	302.3.3C 341.3.2 K341.3.2	...
$R_m$	Estimated instantaneous maximum reaction force or moment at maximum or minimum metal temperature	N or N-mm	lbf or in.-lbf	319.5.1	...	(21)

Symbol	Definition	Units [Note (1)]		Reference		
		SI	U.S.	Paragraph	Table/Fig./App.	Equation
$R_{min}$	Minimum ratio of stress ranges (see para. X3.1.3 for further details)	...	...	X302.1.3	...	(X1) (X2)
$R_r$	Ratio of pressure rating or allowable stress at test temperature to same at design temperature	...	...	345.4.2 K345.4.2	...	(24)
$R_T$	Ratio of the average temperature dependent trend curve value of tensile strength to the room temperature tensile strength	...	...	302.3.2(d)(7)	...	...
$R_Y$	Ratio of the average temperature dependent trend curve value of yield strength to the room temperature yield strength	...	...	302.3.2(d)(7) K302.3.2	...	(31)
$R_1$	Effective radius of miter bend	mm	in.	304.2.3	304.2.3	(4b) (5)
$R_1$	Bend radius of welding elbow or pipe bend	mm	in.	304.2.1	304.2.1 D300	(3d) (3e)
$r_i$	Ratio of lesser computed displacement stress range, $S_i$ , to maximum computed stress range, $S_E$ ( $i = 1, 2, \dots$ )	...	...	302.3.5	...	(1d)
$r_i$	Ratio of lesser computed operating stress range, $S_i$ , to maximum computed stress range, $S_E$ ( $i = 1, 2, \dots$ )	...	...	P302.3.5	...	(P1d)
$r_x$	External contour radius of extruded outlet	mm	in.	304.3.4	304.3.4 D300	(12)
$r_2$	Mean radius of pipe using nominal wall thickness, $\bar{T}$	mm	in.	304.2.3 319.4.4	304.2.3 D300	(4a) (4b) (4c)
$S$	Basic allowable stress for metals	MPa	ksi	300.2 302.3.1 302.3.5 304.1.1 304.1.2 304.1.3 304.2.1 304.2.3 304.3.3 304.4.1 304.5.1 304.5.2 304.5.3 304.7.2 319.3.4 345.4.2 H300 S301.2	323.2.2B A-1	(3a) (3b) (3c) (4a) (4b) (4c) (15) (24)
$S$	Bolt design stress	MPa	ksi	300.2 302.3.1	A-2	...
$S$	Design stress for nonmetals	...	...	A302.3.1 A304.1.1 A304.1.2 A304.5.1 A304.5.2	B-1	(26a) (26b) (26c)

Symbol	Definition	Units [Note (1)]		Reference		
		SI	U.S.	Paragraph	Table/Fig./App.	Equation
$S$	Allowable stress for metals	MPa	ksi	K304.1.2 K304.5.3 K345.4.2	K-1	(34a) (34b) (34c) (34d) (35a) (35b) (35c) (35d)
$S$	Stress intensity	MPa	ksi	K304.8.3	...	(37)
$S_A$	Allowable displacement stress range	MPa	ksi	300.2 302.3.5 319.2.3 319.3.4 319.4.1 319.4.4 319.4.5 K302.3.5 P319.4.5 S301.7 S303.8	S301.7 S303.7.1 S303.7.2 S303.7.3	(1a) (1b) (32)
$S_a$	Bolt design stress at atmospheric temperature	MPa	ksi	304.5.1 A304.5.1	...	...
$S_a$	Axial stress range	MPa	ksi	319.4.4	...	(17)
$S_a$	Stress due to sustained longitudinal force	MPa	ksi	320.2	...	(23a) (23d)
$S_a$	Stress due to axial force	MPa	ksi	P319.4.4	...	(P17a) (P17b)
$S_b$	Bolt design stress at design temperature	MPa	ksi	304.5.1 A304.5.1	...	...
$S_b$	Resultant bending stress	MPa	ksi	319.4.4 P319.4.4	...	(17) (18) (19) (20) (P17a) (P17b)
$S_b$	Stress due to sustained bending moments	MPa	ksi	320.2	...	(23a) (23b)
$S_c$	Basic allowable stress at minimum metal temperature expected during the displacement cycle under analysis	MPa	ksi	302.3.5 K302.3.5 P302.3.5 S301.7	...	(1a) (1b) (32) (P1a)
$S_d$	Allowable stress from Table A-1 for the material at design temperature	MPa	ksi	V303.1.1 V304	...	(V1)
$S_E$	Computed displacement stress range	MPa	ksi	300.2 302.3.5 319.2.3 319.4.4 319.4.5 319.5.1 K302.3.5 S301.7 S303.7	S301.7 S303.7.1 S303.7.2 S303.7.3	(17) (22)
$S_E$	Greatest computed operating stress	MPa	ksi	P300.2 P302.3.5	...	(P17b)
$S_{EA}$	Allowable operating stress range	MPa	ksi	P300.2 P302.3.5 P319.4.5	...	(P1b)

Symbol	Definition	Units [Note (1)]		Reference		
		SI	U.S.	Paragraph	Table/Fig./App.	Equation
$S_f$	Allowable stress for flange material or pipe	MPa	ksi	304.5.1 304.5.2 A304.5.1	...	...
$S_H$	Mean long-term hydrostatic strength (LTHS)	kPa	psi	A328.2.5	...	(27)
$S_h$	Basic allowable stress at maximum metal temperature expected during the displacement cycle under analysis	MPa	ksi	302.3.5 319.5.1 K302.3.5 P302.3.5 S301.6 S301.7	S301.6	(1a) (1b) (23) (32) (P1a)
$S_i$	A computed displacement stress range smaller than $S_E$ ( $i = 1, 2, \dots$ )	MPa	ksi	302.3.5	...	(1d)
$S_i$	A computed operating stress range smaller than $S_E$ ( $i = 1, 2, \dots$ )	MPa	ksi	P302.3.5	...	(P1d)
$S_i$	Equivalent stress during service condition, $i$ (the higher of $S_{pi}$ and $S_L$ )	MPa	ksi	V303.1.1 V303.1.2 V304	...	...
$S_L$	Stress due to sustained loads	MPa	ksi	302.3.5 302.3.6 320 K302.3.5 K302.3.6 S301.3 S301.6 S302.6.1 S302.6.3 S303.6 V303.1.1 V304	S301.6 S302.6.3.1	(1b) (23a)
$S_o$	Operating stress	MPa	ksi	P302.3.5 P319.4.4	...	(P17a)
$S_{oA}$	Allowable operating stress	MPa	ksi	P302.3.5 S302.3.5	...	(P1a)
$S_{pi}$	Equivalent stress for pressure during service condition, $i$	MPa	ksi	V303.1.1 V304	...	(V1)
$S_S$	Mean short-term burst stress	kPa	psi	A328.2.5	...	(27)
$S_T$	Specified minimum tensile strength at room temperature	MPa	ksi	302.3.2	...	...
$S_T$	Allowable stress at test temperature	MPa	ksi	345.4.2	...	(24)
$S_t$	Torsional stress	MPa	ksi	319.4.4 P319.4.4	...	(17) (P17a) (P17b)
$S_t$	Stress due to sustained torsional moment	MPa	ksi	320.2	...	(23a) (23c)
$S_t$	Total stress range for design fatigue curves applying to austenitic stainless steel expansion joints	...	psi	X302.1.3	X302.1.3	...

Symbol	Definition	Units [Note (1)]		Reference		
		SI	U.S.	Paragraph	Table/Fig./App.	Equation
$S_Y$	Specified minimum yield strength at room temperature	MPa	ksi	302.3.2 K302.3.2 K328.2.1	...	(31)
$S_Y$	Yield strength (BPV Code)	MPa	ksi	302.2.4 K304.7.2	...	...
$S_{YT}$	Yield strength at test temperature	MPa	ksi	X302.2.3	...	...
$S_{Yt}$	Yield strength at temperature	MPa	ksi	K302.3.2 K302.3.6 K304.7.2 K345.2.1	...	(31)
$S_{Yt}$	Yield strength at bellows design temperature	MPa	ksi	X302.2.3	...	...
$s$	Miter spacing at pipe centerline	mm	in.	...	D300	...
$T$	Pipe wall thickness (measured or minimum in accordance with purchase specification)	mm	in.	304.1.1 304.2.3 306.4.2 A304.1.1 K304.1.1 K304.1.2 K304.8.3 S301.2	302.3.3D 304.2.3 323.3.1 K323.3.1	(4a) (4b) (4c) (35a) (35b) (35c) (35d) (37)
$T_b$	Branch pipe wall thickness (measured or minimum in accordance with purchase specification)	mm	in.	304.3.3 304.3.4 H300	304.3.3 304.3.4	(8) (11) (12)
$T_c$	Crotch thickness of branch connections	mm	in.	...	D300	...
$T_{cr}$	Critical temperature	°C	°F	300.2	302.3.5	...
$T_E$	Effective temperature for service condition, $i$ (temperature corresponding to $S_i$ , Table A-1)	°C	°F	V303.1.2 V303.1.3	...	(V2)
$T_h$	Header pipe wall thickness (measured or minimum in accordance with purchase specification)	mm	in.	304.3.1 304.3.3 304.3.4 H300	304.3.3 304.3.4	(7) (10)
$T_i$	Temperature of the component for the coincident operating pressure–temperature condition, $i$ , under consideration	°C	°F	V303.1.4	...	(V3)
$T_j$	Pipe metal temperature for the condition being considered; the as-installed and operating conditions are subscripted as $j = 1, 2, 3, \dots$	°C	°F	S300.1 S301 S302 S303	D300 S301.1 S301.3.1 S302.1	D300, Note (7)
$T_r$	Minimum thickness of reinforcing ring or saddle made from pipe (nominal thickness if made from plate)	mm	in.	304.3.3 H300	304.3.3	...
$T_s$	Effective branch wall thickness	mm	in.	319.4.4	...	...
$T_x$	Corroded finished thickness of extruded outlet	mm	in.	304.3.4	304.3.4	(12)

Symbol	Definition	Units [Note (1)]		Reference		
		SI	U.S.	Paragraph	Table/Fig./App.	Equation
$T_2$	Minimum thickness of fabricated lap	mm	in.	...	328.5.5	...
$\bar{T}$	Nominal wall thickness of pipe	mm	in.	302.3.5 304.2.3 A328.2.5 S301.2	323.2.2A 328.5.2B 328.5.5 K302.3.3D D300	(27)
$\bar{T}_b$	Nominal branch pipe wall thickness	mm	in.	319.4.4 328.5.4 331.1.3	304.3.3 328.5.4D	...
$\bar{T}_h$	Nominal header pipe wall thickness	mm	in.	319.4.4 328.5.4 331.1.3	304.3.3 328.5.4D	...
$\bar{T}_r$	Nominal thickness of reinforcing ring or saddle	mm	in.	328.5.4 331.1.3	328.5.4D D300	...
$\bar{T}_w$	Nominal wall thickness, thinner of components joined by butt weld	mm	in.	344.6.2	341.3.2 K341.3.2	...
$t$	Pressure design thickness	mm	in.	304.1.1 304.1.2 304.1.3 304.2.1 304.3.3 304.4.1 304.5.2 A304.1.1 A304.1.2 A304.1.3 K304.1.1 K304.1.2 K304.1.3 K304.5.2 S301.2	304.1.1 304.5.3 328.5.2C	(2) (3a) (3b) (3c) (13) (14) (25) (26a) (26b) (26c) (33) (34a) (34b) (34c) (34d) (36)
$t_b$	Pressure design thickness of branch	mm	in.	304.3.3 304.3.4 H300	304.3.3 304.3.4	(8) (11)
$t_c$	Throat thickness of cover fillet weld	mm	in.	328.5.4 331.1.3 H300	328.5.4D	...
$t_h$	Pressure design thickness of header	mm	in.	304.3.3 304.3.4 H300	304.3.3 304.3.4	(6) (7) (9) (10)
$t_i$	Total duration of service condition, $i$ , at pressure, $P_i$ , and temperature, $T_i$	h	hr	V303.2 V304	...	(V4)
$t_m$	Minimum required thickness, including mechanical, corrosion, and erosion allowances	mm	in.	304.1.1 304.2.1 304.4.1 304.5.2 304.5.3 328.4.2 A304.1.1 A304.2.1 K304.1.1 K304.2.1 K304.5.2 K328.4.2 S301.2	328.3.2 328.4.3 K328.4.2 K341.3.2	(2) (13) (14) (15) (25) (33) (36)

Symbol	Definition	Units [Note (1)]		Reference		
		SI	U.S.	Paragraph	Table/Fig./App.	Equation
$t_{\min}$	For branch, the smaller of $\bar{T}_b$ or $\bar{T}_r$	mm	in.	328.5.4	328.5.4D	...
$t_{ri}$	Rupture life of a component subjected to repeated service conditions, $i$ , and stress, $S_i$	h	hr	V303.1.4 V303.2 V304	...	(V3) (V4)
$U$	Straight line distance between anchors	m	ft	319.4.1	...	(16)
$u$	Creep-rupture usage factor, summed up from individual usage factors, $t_i/t_{ri}$	...	...	V303.2 V303.3 V304	...	(V4)
$W$	Weld joint strength reduction factor	...	..	302.2.2 302.3.5 304.1.1 304.1.2 304.2.1 304.2.3 304.3.3 304.4.1 304.5.1 304.5.2 304.5.3	302.3.5	(3a) (3b) (3c) (4a) (4b) (4c) (15)
$X$	Factor for modifying the allowable stress range, $S_r$ , for bellows expansion joint (see para. X302.1.3 for further details)	...	...	X302.1.3	...	(X1) (X2)
$X_1$	Ring reinforcement area	mm <sup>2</sup>	in. <sup>2</sup>	H304	...	...
$X_2$	Fillet weld reinforcement area	mm <sup>2</sup>	in. <sup>2</sup>	H304	...	...
$x_{\min}$	Size of fillet weld to slip-on or socket welding flange	mm	in.	...	328.5.2B	...
$Y$	Coefficient for effective stressed diameter	...	...	304.1.1 304.1.2 S300 S301.2	304.1.1	(3a) (3b) (3c)
$Y+$	Single acting support — a pipe support that provides support to the piping system in only the vertically upward direction	...	...	S300.1 S302 S302.1 S302.6.2	S302.5.1 S302.6.3.1	...
$y$	Resultant of total displacement	mm	in.	319.4.1	...	(16)
$Z$	Section modulus of pipe	mm <sup>3</sup>	in. <sup>3</sup>	319.4.4	...	(18) (19)
$Z$	Sustained section modulus of pipe	mm <sup>3</sup>	in. <sup>3</sup>	320.2	...	(23b) (23c)
$Z_e$	Effective section modulus for branch	mm <sup>3</sup>	in. <sup>3</sup>	319.4.4	...	(20)
$\alpha$	Angle of change in direction at miter joint	deg	deg	304.2.3 306.3.2 306.3.3 M306.3	304.2.3	...
$\beta$	Smaller angle between axes of branch and run	deg	deg	304.3.1 304.3.3	304.3.3	(6) (8)
$\gamma$	Span of the pipe bend	deg	deg	304.2.1	304.2.1	...



Symbol	Definition	Units [Note (1)]		Reference		
		SI	U.S.	Paragraph	Table/Fig./App.	Equation
$\theta$	Angle of miter cut	deg	deg	304.2.3	304.2.3 D300	(4a) (4c) (5)

GENERAL NOTE: For Code reference to this Appendix, see para. 300.3.

NOTE:

- (1) Note that the use of these units is not required by the Code. They represent sets of consistent units (except where otherwise stated) that may be used in computations, if stress values in ksi and MPa are multiplied by 1,000 for use in equations that also involve pressure in psi and kPa values.

# APPENDIX K

## ALLOWABLE STRESSES FOR HIGH PRESSURE PIPING

### Specification Index for Appendix K

Spec. No.	Title	Page
<b>ASTM</b>		
A53	Pipe, Steel, Black and Hot-Dipped, Zinc Coated, Welded and Seamless .....	424
A105	Forgings, Carbon Steel, for Piping Components .....	424
A106	Seamless Carbon Steel Pipe for High-Temperature Service .....	424
A182	Forged or Rolled Alloy-Steel Pipe Flanges, Forged Fittings, and Valves and Parts for High-Temperature Service .....	426, 428, 430
A210	Seamless Medium-Carbon Steel Boiler and Superheater Tubes .....	424
A234	Piping Fittings of Wrought Carbon Steel and Alloy Steel for Moderate and Elevated Temperatures .....	424
A312	Seamless and Welded Austenitic Stainless Steel Pipe .....	426, 428
A333	Seamless and Welded Steel Pipe for Low-Temperature Service .....	424, 426
A334	Seamless and Welded Carbon and Alloy-Steel Tubes for Low-Temperature Service .....	424, 426
A335	Seamless Ferritic Alloy Steel Pipe for High-Temperature Service .....	424
A350	Forgings, Carbon and Low-Alloy Steel Requiring Notch Toughness Testing for Piping Components .....	424, 426
A358	Electric-Fusion-Welded Austenitic Chromium-Nickel Alloy Steel Pipe for High-Temperature Service .....	426, 428
A403	Wrought Austenitic Stainless Steel Piping Fittings .....	428, 430
A420	Piping Fittings of Wrought Carbon Steel and Alloy Steel for Low-Temperature Service .....	424, 426
A508	Quenched and Tempered Vacuum-Treated Carbon and Alloy Steel Forgings for Pressure Vessels .....	426
A723	Alloy Steel Forgings for High-Strength Pressure Component Application .....	426
B164	Nickel-Copper Alloy Rod, Bar and Wire .....	432
B165	Nickel-Copper Alloy (UNS N04400) Seamless Pipe and Tube .....	432
B166	Nickel-Chromium-Iron Alloy (UNS N06600) Rod, Bar and Wire .....	432
B167	Nickel-Chromium-Iron Alloy (UNS N06600-N06690) Seamless Pipe and Tube .....	432
B338	Seamless and Welded Titanium and Titanium Alloy Tubes for Condensers and Heat Exchangers .....	434
B363	Seamless and Welded Unalloyed Titanium and Titanium Alloy Welding Fittings .....	434
B366	Factory-Made Wrought Nickel and Nickel-Alloy Welding Fittings .....	432
B381	Titanium and Titanium Alloy Forgings .....	434
B564	Nickel Alloy Forgings .....	432
B574	Low-Carbon Nickel-Molybdenum-Chromium Alloy Rod .....	432
B622	Seamless Nickel and Nickel-Cobalt Alloy Pipe and Tube .....	432
B861	Titanium and Titanium Alloy Seamless Pipe .....	434
<b>API</b>		
5L	Line Pipe .....	424

GENERAL NOTE: It is not practical to refer to a specific edition of each standard throughout the Code text. Instead, the approved edition references, along with the names and addresses of the sponsoring organizations, are shown in Appendix E.

## NOTES FOR APPENDIX K TABLE

(12)

### GENERAL NOTES:

- (a) The allowable stress values and P-Number assignments in Table K-1, together with the referenced Notes, are requirements of Chapter IX.
- (b) Notes (1) through (7) and Notes (17) and (18) are referenced in Table headings and in headings for material type and product form; Notes (8) through (16) and (19) through (21) are referenced in the Notes column for specific materials.
- (c) At this time, metric equivalents have not been provided in Table K-1. To convert stress values in Table K-1 to MPa at a given temperature in °C, determine the equivalent temperature in °F and interpolate to calculate the stress value in ksi at the given temperature. Multiply by 6.895 to determine allowable stress in MPa at the given temperature.
- (d) The following abbreviations are used in the Condition and Size Range columns: ann., annealed; A.W., as worked; C.W., cold worked; H.W., hot worked; hex., hexagons; O.D., outside diameter; rd., rounds; rec., rectangles; rel., relieved; sq., squares; and str., stress.

### NOTES:

- (1) The stress values in Table K-1 are allowable stresses in tension in accordance with para. K302.3.1(a). Stress values in shear and bearing are stated in para. K302.3.1(b), those in compression in para. K302.3.1(c).
- (2) Samples representative of all piping components, as well as their fabrication welds, shall be impact tested in accordance with para. K323.3.
- (3) Material minimum service temperature shall be in accordance with para. K323.2.2.
- (4) The temperature limit for materials shall be in accordance with para. K323.2.1.
- (5) Stress values printed in *italics* exceed two-thirds of the expected yield strength at temperature. Stress values in **bold-face** are equal to 90% of yield strength at temperature. See para. K302.3.2.
- (6) A product analysis of the material shall be performed. See para. K323.1.5.
- (7) See the BPV Code, Section IX, QW-200.3 for a description of P-Number groupings. P-Numbers are indicated by number or by a number followed by a letter (e.g., 8, 5B, and 11A).
- (8) This type or grade is permitted only in the seamless condition.
- (9) If this grade is cold expanded, the most severely deformed portion of a representative sample shall be impact tested in accordance with para. K323.3.
- (10) This material may require special consideration for welding qualification. See the BPV Code, Section IX, QW/QB-422. For use in this Code, a qualified WPS is required for each strength level of material.
- (11) No welding is permitted on this material.
- (12) Welds shall be of a design that permits fully interpretable radiographic examination; joint quality factor,  $E_j$ , shall be 1.00 in accordance with para. K302.3.4.
- (13) Pipe furnished to this specification shall be supplied in the solution heat treated condition.
- (14) This unstabilized grade of stainless steel increasingly tends to precipitate intergranular carbides as the carbon content increases above 0.03%. See also para. F323.4(c)(2).
- (15) Stress values shown are for the lowest strength base material permitted by the specification to be used in the manufacture of this grade of fitting. If a higher strength base material is used, the higher stress values for that material may be used in design.
- (16) Galvanized pipe furnished to this specification is not permitted for pressure containing service. See para. K323.4.2(b).
- (17) Pipe and tubing shall be examined for longitudinal defects in accordance with Table K305.1.2.
- (18) Material defects may be repaired by welding only in accordance with para. K323.1.6.
- (19) For material thickness > 127 mm (5 in.), the specified minimum tensile strength is 448 MPa (65 ksi).
- (20) For material thickness > 127 mm (5 in.), the specified minimum tensile strength is 483 MPa (70 ksi).
- (21) At temperatures above 100°F, the allowable stresses listed in Table A-1 for this material may be used for Chapter IX applications. Alternatively, allowable stresses may be derived in accordance with the requirements of para. K323.2.1.

(12) **Table K-1 Allowable Stresses in Tension for Metals for Chapter IX<sup>1-6, 18</sup>**

Numbers in Parentheses Refer to Notes for Appendix K Tables; Specifications Are ASTM Unless Otherwise Indicated

Material	Spec. No.	P-No. (7)	Type or Grade	Notes	Specified Min. Strength, ksi	
					Tensile	Yield
<b>Carbon Steel</b>						
<b>Pipes and Tubes (17)</b>						
...	A53	1	B	(8)(16)	60	35
...	A106	1	B	...	60	35
...	A333	1	6	(8)	60	35
...	A334	1	6	(8)	60	35
...	API 5L	1	B	(8)(9)	60	35
...	A210	1	A-1	...	60	37
...	A106	1	C	...	70	40
...	A210	1	C	...	70	40
...	API 5L	1	X42	(8)(9)(21)	60	42
...	API 5L	1	X46	(8)(9)(21)	63	46
...	API 5L	1	X52	(8)(9)(21)	66	52
...	API 5L	1	X56	(8)(9)(10)(21)	71	56
...	API 5L	1	X60	(8)(9)(10)(21)	75	60
...	API 5L	1	X65	(8)(9)(10)(21)	77	65
...	API 5L	1	X70	(8)(9)(10)(21)	82	70
...	API 5L	1	X80	(8)(9)(10)(21)	90	80
<b>Forgings and Fittings</b>						
...	A234	1	WPB	(8)	60	35
...	A420	1	WPL6	(8)	60	35
...	A350	1	LF2	...	70	36
...	A105	1	...	...	70	36
...	A234	1	WPC	(8)	70	40
<b>Low and Intermediate Alloy Steel</b>						
<b>Pipes and Tubes (17)</b>						
C- $\frac{1}{2}$ Mo	A335	3	P1	...	55	30
1Cr- $\frac{1}{2}$ Mo	A335	4	P12	...	60	32
1 $\frac{1}{4}$ Cr- $\frac{1}{2}$ Mo	A335	4	P11	...	60	30
5Cr- $\frac{1}{2}$ Mo	A335	5A	P5	...	60	30
2 $\frac{1}{4}$ Cr-1Mo	A335	5A	P22	...	60	30

**Table K-1 Allowable Stresses in Tension for Metals for Chapter IX<sup>1-6, 18</sup>**

Numbers in Parentheses Refer to Notes for Appendix K Tables; Specifications Are ASTM Unless Otherwise Indicated

Allowable Stress, ksi (Multiply by 1000 to Obtain psi), for Metal Temperature, °F, Not Exceeding										
100	200	250	300	400	500	600	650	700	Type or Grade	Spec. No.
<b>Carbon Steel</b>										
<b>Pipes and Tubes (17)</b>										
23.3	21.3	...	20.7	20.0	18.9	17.3	16.9	16.8	B	A53
23.3	21.3	...	20.7	20.0	18.9	17.3	16.9	16.8	B	A106
23.3	21.3	...	20.7	20.0	18.9	17.3	16.9	16.8	6	A333
23.3	21.3	...	20.7	20.0	18.9	17.3	16.9	16.8	6	A334
23.3	21.3	...	20.7	20.0	18.9	17.3	16.9	16.8	B	API 5L
24.7	22.5	...	21.9	21.1	20.0	18.3	17.9	17.8	A-1	A210
26.7	24.3	...	22.9	23.7	21.6	19.7	19.4	19.2	C	A106
26.7	24.3	...	22.9	23.7	21.6	19.7	19.4	19.2	C	A210
28.0	...	...	...	...	...	...	...	...	X42	API 5L
30.7	...	...	...	...	...	...	...	...	X46	API 5L
34.7	...	...	...	...	...	...	...	...	X52	API 5L
37.3	...	...	...	...	...	...	...	...	X56	API 5L
40.0	...	...	...	...	...	...	...	...	X60	API 5L
43.3	...	...	...	...	...	...	...	...	X65	API 5L
46.7	...	...	...	...	...	...	...	...	X70	API 5L
53.3	...	...	...	...	...	...	...	...	X80	API 5L
<b>Forgings and Fittings</b>										
23.3	21.3	...	20.7	20.0	18.9	17.3	16.9	16.8	WPB	A234
23.3	21.3	...	20.7	20.0	18.9	17.3	16.9	16.8	WPL6	A420
24.0	21.9	...	21.3	20.6	19.5	17.7	17.5	17.3	LF2	A350
24.0	21.9	...	21.3	20.6	19.5	17.7	17.5	17.3	...	A105
26.7	24.3	...	23.7	22.9	21.6	19.7	19.4	19.2	WPC	A234
<b>Low and Intermediate Alloy Steel</b>										
<b>Pipes and Tubes (17)</b>										
20.0	18.5	...	17.5	16.9	16.3	15.7	15.4	15.1	P1	A335
21.3	19.3	...	18.1	17.3	16.7	16.3	16.1	15.8	P12	A335
20.0	18.7	...	17.9	17.5	17.2	16.7	16.2	15.7	P11	A335
20.0	18.1	...	17.4	17.2	17.1	16.8	16.6	16.3	P5	A335
20.0	18.5	...	18.1	17.9	17.9	17.9	17.9	17.9	P22	A335

(12) **Table K-1 Allowable Stresses in Tension for Metals for Chapter IX<sup>1-6, 18</sup> (Cont'd)**  
 Numbers in Parentheses Refer to Notes for Appendix K Tables; Specifications Are ASTM Unless Otherwise Indicated

Material	Spec. No.	P-No. (7)	Type or Grade	Notes	Specified Min. Strength, ksi	
					Tensile	Yield
<b>Low and Intermediate Alloy Steel (Cont'd)</b>						
<b>Pipes and Tubes (17) (Cont'd)</b>						
3 <sup>1</sup> / <sub>2</sub> Ni	A333	9B	3	(8)	65	35
3 <sup>1</sup> / <sub>2</sub> Ni	A334	9B	3	(8)	65	35
9Ni	A333	11A	8	(8)	100	75
9Ni	A334	11A	8	(8)	100	75
<b>Forgings and Fittings</b>						
3 <sup>1</sup> / <sub>2</sub> Ni	A420	9B	WPL3	(8)	65	35
3 <sup>1</sup> / <sub>2</sub> Ni	A350	9B	LF3	...	70	37.5
1Cr- <sup>1</sup> / <sub>2</sub> Mo	A182	4	F12, Cl. 2	...	70	40
1 <sup>1</sup> / <sub>4</sub> Cr- <sup>1</sup> / <sub>2</sub> Mo	A182	4	F11, Cl. 2	...	70	40
C- <sup>1</sup> / <sub>2</sub> Mo	A182	3	F1	...	70	40
5Cr- <sup>1</sup> / <sub>2</sub> Mo	A182	5B	F5	...	70	40
2 <sup>1</sup> / <sub>4</sub> Cr-1Mo	A182	5A	F22, Cl. 3	...	75	45
9Ni	A420	11A	WPL8	(8)	100	75
3 <sup>1</sup> / <sub>2</sub> Ni-1 <sup>3</sup> / <sub>4</sub> Cr- <sup>1</sup> / <sub>2</sub> Mo	A508	11A	4N, Cl. 2	...	115	100
Ni-Cr-Mo	A723	...	1, 2, 3 Cl. 1	(11)	115	100
Ni-Cr-Mo	A723	...	1, 2, 3 Cl. 2	(11)	135	120
Ni-Cr-Mo	A723	...	1, 2, 3 Cl. 3	(11)	155	140
<b>Stainless Steel (5)</b>						
<b>Pipes and Tubes (17)</b>						
16Cr-12Ni-2Mo	A312	8	TP316L	(12)	70	25
316L, A240	A358	8	316L, Cl. 1 & 3	(12)(13)	70	25
16Cr-12Ni-2Mo-N	A312	8	TP316LN	(12)	75	30
316LN, A240	A358	8	316LN, Cl. 1 & 3	(12)(13)	75	30
18Cr-8Ni	A312	8	TP304L	(12)	70	25
304L, A240	A358	8	304L, Cl. 1 & 3	(12)(13)	70	25
18Cr-8Ni-N	A312	8	TP304LN	(12)	75	30
304LN, A240	A358	8	304LN, Cl. 1 & 3	(12)(13)	75	30

**Table K-1 Allowable Stresses in Tension for Metals for Chapter IX<sup>1-6, 18</sup> (Cont'd)**

Numbers in Parentheses Refer to Notes for Appendix K Tables; Specifications Are ASTM Unless Otherwise Indicated

Allowable Stress, ksi (Multiply by 1000 to Obtain psi), for Metal Temperature, °F, Not Exceeding										
100	200	250	300	400	500	600	650	700	Type or Grade	Spec. No.
<b>Low and Intermediate Alloy Steel (Cont'd)</b>										
<b>Pipes and Tubes (17) (Cont'd)</b>										
23.3	21.3	...	20.7	20.0	18.9	17.3	17.0	15.7	3	A333
23.3	21.3	...	20.7	20.0	18.9	17.3	17.0	15.7	3	A334
50.0	48.0	47.0	...	...	...	...	...	...	8	A333
50.0	48.0	47.0	...	...	...	...	...	...	8	A334
<b>Forgings and Fittings</b>										
23.3	21.3	...	19.6	...	...	...	...	...	WPL3	A420
25.0	22.8	...	22.1	...	...	...	...	...	LF3	A350
26.7	24.1	...	22.7	21.7	20.9	20.3	20.1	19.7	F12, Cl. 2	A182
26.7	24.6	...	23.4	22.5	21.7	20.9	20.5	20.1	F11, Cl. 2	A182
26.7	24.6	...	23.4	22.5	21.7	20.9	20.5	20.1	F1	A182
26.7	24.1	...	23.2	22.9	22.7	22.4	22.1	21.7	F5	A182
30.0	27.5	...	26.1	25.5	24.8	24.3	24.0	23.7	F22, Cl. 3	A182
50.0	48.0	47.0	...	...	...	...	...	...	WPL8	A420
66.7	62.8	...	60.8	59.5	58.5	57.4	56.7	...	4N, Cl. 2	A508
66.7	64.0	...	62.3	61.3	60.3	59.3	58.5	57.3	1, 2, 3 Cl. 1	A723
80.0	76.8	...	74.8	73.6	72.4	71.2	70.1	68.8	1, 2, 3 Cl. 2	A723
93.3	89.6	...	87.3	85.9	84.5	83.1	81.9	80.3	1, 2, 3 Cl. 3	A723
<b>Stainless Steel (5)</b>										
<b>Pipes and Tubes (17)</b>										
16.7	16.7	...	16.7	15.8	14.8	14.0	13.8	13.5	TP316L	A312
16.7	16.7	...	16.7	15.8	14.8	14.0	13.8	13.5	316L, Cl. 1 & 3	A358
20.0	20.0	...	20.0	18.9	17.5	16.5	16.0	15.6	TP316LN	A312
20.0	20.0	...	20.0	18.9	17.5	16.5	16.0	15.6	316LN, Cl. 1 & 3	A358
16.7	16.7	...	16.7	15.8	14.7	14.0	13.7	13.4	TP304L	A312
16.7	16.7	...	16.7	15.8	14.7	14.0	13.7	13.4	304L, Cl. 1 & 3	A358
20.0	20.0	...	20.0	18.6	17.5	16.4	16.1	15.9	TP304LN	A312
20.0	20.0	...	20.0	18.6	17.5	16.4	16.1	15.9	304LN, Cl. 1 & 3	A358

(12) **Table K-1 Allowable Stresses in Tension for Metals for Chapter IX<sup>1-6, 18</sup> (Cont'd)**  
 Numbers in Parentheses Refer to Notes for Appendix K Tables; Specifications Are ASTM Unless Otherwise Indicated

Material	Spec. No.	P-No. (7)	Type or Grade	Notes	Specified Min. Strength, ksi	
					Tensile	Yield
<b>Stainless Steel (5) (Cont'd)</b>						
<b>Pipes and Tubes (17) (Cont'd)</b>						
18Cr-10Ni-Ti smls. > $\frac{3}{8}$ in. thick	A312	8	TP321	...	70	25
18Cr-10Ni-Ti smls. $\leq \frac{3}{8}$ in. thick or wld.	A312	8	TP321	(12)	75	30
321, A240	A358	8	321, Cl. 1 & 3	(12)(13)	75	30
18Cr-8Ni	A312	8	TP304	(12)(14)	75	30
304, A240	A358	8	304, Cl. 1 & 3	(12)(13)(14)	75	30
16Cr-12Ni-2Mo	A312	8	TP316	(12)(14)	75	30
316, A240	A358	8	316, Cl. 1 & 3	(12)(13)(14)	75	30
18Cr-13Ni-3Mo	A312	8	TP317	(12)(14)	75	30
18Cr-10Ni-Cb	A312	8	TP347	(12)	75	30
347, A240	A358	8	347, Cl. 1 & 3	(12)(13)	75	30
18Cr-8Ni-N	A312	8	TP304N	(12)(14)	80	35
304N, A240	A358	8	304N, Cl. 1 & 3	(12)(13)(14)	80	35
16Cr-12Ni-2Mo-N	A312	8	TP316N	(12)(14)	80	35
316N, A240	A358	8	316N, Cl. 1 & 3	(12)(13)(14)	80	35
<b>Forgings and Fittings</b>						
16Cr-12Ni-2Mo	A182	8	F316L	(19)	70	25
16Cr-12Ni-2Mo	A403	8	WP316L, Cl. S & WX	(12)	70	25
16Cr-12Ni-2Mo-N	A182	8	F316LN	(20)	75	30
16Cr-12Ni-2Mo-N	A403	8	WP316LN, Cl. S & WX	(12)	75	30
18Cr-8Ni	A182	8	F304L	(19)	70	25
18Cr-8Ni	A403	8	WP304L, Cl. S & WX	(12)	70	25
18Cr-8Ni-N	A182	8	F304LN	(20)	75	30
18Cr-8Ni-N	A403	8	WP304LN, Cl. S & WX	(12)	75	30



**Table K-1 Allowable Stresses in Tension for Metals for Chapter IX<sup>1-6, 18</sup> (Cont'd)**  
 Numbers in Parentheses Refer to Notes for Appendix K Tables; Specifications Are ASTM Unless Otherwise Indicated

Allowable Stress, ksi (Multiply by 1000 to Obtain psi), for Metal Temperature, °F, Not Exceeding										
100	200	250	300	400	500	600	650	700	Type or Grade	Spec. No.
<b>Stainless Steel (5) (Cont'd)</b>										
<b>Pipes and Tubes (17) (Cont'd)</b>										
16.7	16.7	...	16.7	16.7	16.1	15.2	14.9	14.6	TP321 smls. > 3/8 in. thick	A312
20.0	20.0	...	20.0	20.0	19.4	18.3	17.9	17.5	TP321 smls. ≤ 3/8 in. thick & wld.	A312
20.0	20.0	...	20.0	20.0	19.4	18.3	17.9	17.5	321, Cl. 1 & 3	A358
20.0	20.0	...	20.0	18.6	17.5	16.4	16.1	15.9	TP304	A312
20.0	20.0	...	20.0	18.6	17.5	16.4	16.1	15.9	304, Cl. 1 & 3	A358
20.0	20.0	...	20.0	19.3	18.0	17.0	16.7	16.3	TP316	A312
20.0	20.0	...	20.0	19.3	18.0	17.0	16.7	16.3	316, Cl. 1 & 3	A358
20.0	20.0	...	20.0	19.3	18.0	17.0	16.7	16.3	TP317	A312
20.0	20.0	...	20.0	20.0	20.0	19.4	19.0	18.6	TP347	A312
20.0	20.0	...	20.0	20.0	20.0	19.4	19.0	18.6	347, Cl. 1 & 3	A358
23.3	23.3	...	22.5	20.3	18.8	17.8	17.6	17.2	TP304N	A312
23.3	23.3	...	22.5	20.3	18.8	17.8	17.6	17.2	304N, Cl. 1 & 3	A358
23.3	23.3	...	23.3	23.3	22.2	21.1	20.5	20.1	TP316N	A312
23.3	23.3	...	23.3	23.3	22.2	21.1	20.5	20.1	316N, Cl. 1 & 3	A358
<b>Forgings and Fittings</b>										
16.7	16.7	...	16.7	15.8	14.8	14.0	13.8	13.5	F316L	A182
16.7	16.7	...	16.7	15.8	14.8	14.0	13.8	13.5	WP316L, Cl. S & WX	A403
20.0	20.0	...	20.0	18.9	17.5	16.5	16.0	15.6	F316LN	A182
20.0	20.0	...	20.0	18.9	17.5	16.5	16.0	15.6	WP316LN, Cl. S & WX	A403
16.7	16.7	...	16.7	15.8	14.7	14.0	13.7	13.4	F304L	A182
16.7	16.7	...	16.7	15.8	14.7	14.0	13.7	13.4	WP304L, Cl. S & WX	A403
20.0	20.0	...	20.0	18.6	17.5	16.4	16.1	15.9	F304LN	A182
20.0	20.0	...	20.0	18.6	17.5	16.4	16.1	15.9	WP304LN, Cl. S & WX	A403

(12) **Table K-1 Allowable Stresses in Tension for Metals for Chapter IX<sup>1-6, 18</sup> (Cont'd)**  
 Numbers in Parentheses Refer to Notes for Appendix K Tables; Specifications Are ASTM Unless Otherwise Indicated

Material	Spec. No.	P-No. (7)	Type or Grade	Notes	Specified Min. Strength, ksi	
					Tensile	Yield
<b>Stainless Steel (5) (Cont'd)</b>						
<b>Forgings and Fittings (Cont'd)</b>						
18Cr-10Ni-Ti	A182	8	F321	(20)	75	30
18Cr-10Ni-Ti	A403	8	WP321, Cl. S & WX	(12)	75	30
18Cr-8Ni	A182	8	F304	(14)(20)	75	30
18Cr-8Ni	A403	8	WP304, Cl. S & WX	(12)(14)	75	30
16Cr-12Ni-2Mo	A182	8	F316	(14)(20)	75	30
16Cr-12Ni-2Mo	A403	8	WP316, Cl. S & WX	(12)(14)	75	30
18Cr-13Ni-3Mo	A403	8	WP317, Cl. S & WX	(12)(14)	75	30
18Cr-10Ni-Cb	A182	8	F347	(20)	75	30
18Cr-10Ni-Cb	A403	8	WP347, Cl. S & WX	(12)	75	30
18Cr-8Ni-N	A182	8	F304N	(14)	80	35
18Cr-8Ni-N	A403	8	WP304N, Cl. S & WX	(12)(14)	80	35
16Cr-12Ni-2Mo-N	A182	8	F316N	(14)	80	35
16Cr-12Ni-2Mo-N	A403	8	WP316N, Cl. S & WX	(12)(14)	80	35

**Table K-1 Allowable Stresses in Tension for Metals for Chapter IX<sup>1-6, 18</sup> (Cont'd)**  
 Numbers in Parentheses Refer to Notes for Appendix K Tables; Specifications Are ASTM Unless Otherwise Indicated

Allowable Stress, ksi (Multiply by 1000 to Obtain psi), for Metal Temperature, °F, Not Exceeding									Type or Grade	Spec. No.
100	200	250	300	400	500	600	650	700		
Stainless Steel (5) (Cont'd)										
Forgings and Fittings (Cont'd)										
20.0	20.0	...	20.0	20.0	19.4	18.3	17.9	17.5	F321	A182
20.0	20.0	...	20.0	20.0	19.4	18.3	17.9	17.5	WP321, Cl. S & WX	A403
20.0	20.0	...	20.0	18.6	17.5	16.4	16.1	15.9	F304	A182
20.0	20.0	...	20.0	18.6	17.5	16.4	16.1	15.9	WP304, Cl. S & WX	A403
20.0	20.0	...	20.0	19.3	18.0	17.0	16.7	16.3	F316	A182
20.0	20.0	...	20.0	19.3	18.0	17.0	16.7	16.3	WP316, Cl. S & WX	A403
20.0	20.0	...	20.0	19.3	18.0	17.0	16.7	16.3	WP317, Cl. S & WX	A403
20.0	20.0	...	20.0	20.0	20.0	19.4	19.0	18.6	F347	A182
20.0	20.0	...	20.0	20.0	20.0	19.4	19.0	18.6	WP347, Cl. S & WX	A403
23.3	23.3	...	22.5	20.3	18.8	17.8	17.6	17.2	F304N	A182
23.3	23.3	...	22.5	20.3	18.8	17.8	17.6	17.2	WP304N, Cl. S & WX	A403
23.3	23.3	...	23.3	23.3	22.2	21.0	20.5	20.1	F316N	A182
23.3	23.3	...	23.3	23.3	22.2	21.0	20.5	20.1	WP316N, Cl. S & WX	A403

(12)

**Table K-1 Allowable Stresses in Tension for Metals for Chapter IX<sup>1-6, 18</sup> (Cont'd)**

Numbers in Parentheses Refer to Notes for Appendix K Tables; Specifications Are ASTM Unless Otherwise Indicated

Material	Spec. No.	P-No. (7)	UNS Number	Condition	Size Range, in.	Notes	Specified Min. Strength, ksi	
							Tensile	Yield
<b>Nickel and Nickel Alloy (5)</b>								
<b>Pipes and Tubes (17)</b>								
Ni-Cu	B165	42	N04400	Annealed	> 5 O.D.	...	70	25
Ni-Cr-Fe	B167	43	N06600	H.W.	> 5 O.D.	...	75	25
Ni-Cr-Fe	B167	43	N06600	H.W. ann.	> 5 O.D.	...	75	25
Ni-Cu	B165	42	N04400	Annealed	≤ 5 O.D.	...	70	28
Ni-Cr-Fe	B167	43	N06600	H.W.	≤ 5 O.D.	...	80	30
Ni-Cr-Fe	B167	43	N06600	H.W. ann.	≤ 5 O.D.	...	80	30
Ni-Cr-Fe	B167	43	N06600	C.W. ann.	> 5 O.D.	...	80	30
Ni-Cr-Fe	B167	43	N06600	C.W. ann.	≤ 5 O.D.	...	80	35
Ni-Mo-Cr	B622	44	N10276	...	All	...	100	41
Ni-Cu	B165	42	N04400	Str. rel.	All	...	85	55
<b>Forgings and Fittings</b>								
Ni-Cu	B366	42	N04400	...	All	(12)(15)	70	25
Ni-Cu	B564	42	N04400	Annealed	All	...	70	25
Ni-Cr-Fe	B366	43	N06600	...	All	(12)(15)	75	25
Ni-Cr-Fe	B564	43	N06600	Annealed	All	...	80	35
Ni-Mo-Cr	B366	44	N10276	...	All	(12)	100	41
Ni-Mo-Cr	B564	44	N10276	Annealed	All	...	100	41
<b>Rod and Bar</b>								
Ni-Cu	B164	42	N04400	Annealed	All	...	70	25
Ni-Cr-Fe	B166	43	N06600	C.W. ann. & H.W. ann.	All	...	80	35
Ni-Cr-Fe	B166	43	N06600	H.W., A.W.	Sq., rec. & hex.	...	85	35
Ni-Cr-Fe	B166	43	N06600	H.W., A.W.	> 3 rd.	...	85	35
Ni-Cu	B164	42	N04400	H.W.	Rod, sq. & rec. ≤ 12, hex. ≤ 2 <sup>1</sup> / <sub>8</sub>	...	80	40
Ni-Cr-Fe	B166	43	N06600	H.W., A.W.	1/2 to 3 rd.	...	90	40
Ni-Mo-Cr	B574	44	N10276	...	All	...	100	41
Ni-Cr-Fe	B166	43	N06600	H.W., A.W.	1/4 to 1/2 rd.	...	95	45

**Table K-1 Allowable Stresses in Tension for Metals for Chapter IX<sup>1-6, 18</sup> (Cont'd)**  
 Numbers in Parentheses Refer to Notes for Appendix K Tables; Specifications Are ASTM Unless Otherwise Indicated

Allowable Stress, ksi (Multiply by 1000 to Obtain psi), for Metal Temperature, °F, Not Exceeding									UNS Number	Spec. No.
100	200	250	300	400	500	600	650	700		
<b>Nickel and Nickel Alloy (5) Pipes and Tubes (17)</b>										
16.7	14.7	...	13.7	13.2	13.2	13.2	13.2	13.2	N04400	B165
16.7	16.7	...	16.7	16.7	16.7	16.7	16.7	16.7	N06600	B167
16.7	16.7	...	16.7	16.7	16.7	16.7	16.7	16.7	N06600	B167
18.7	16.5	...	15.4	14.8	14.8	14.8	14.8	14.8	N04400	B165
20.0	20.0	...	20.0	20.0	20.0	20.0	20.0	20.0	N06600	B167
20.0	20.0	...	20.0	20.0	20.0	20.0	20.0	20.0	N06600	B167
20.0	20.0	...	20.0	20.0	20.0	20.0	20.0	20.0	N06600	B167
23.3	23.3	...	23.3	23.3	23.3	23.3	23.3	23.3	N06600	B167
27.3	27.3	...	27.3	27.3	<b>26.9</b>	<b>25.2</b>	<b>24.6</b>	<b>24.0</b>	N10276	B622
36.7	32.3	...	30.2	29.1	29.1	...	...	...	N04400	B165
<b>Forgings and Fittings</b>										
16.7	14.7	...	13.7	13.2	13.2	13.2	13.2	13.2	N04400	B366
16.7	14.7	...	13.7	13.2	13.2	13.2	13.2	13.2	N04400	B564
16.7	16.7	...	16.7	16.7	16.7	16.7	16.7	16.7	N06600	B366
23.3	23.3	...	23.3	23.3	23.3	23.3	23.3	23.3	N06600	B564
27.3	27.3	...	27.3	27.3	<b>26.9</b>	<b>25.2</b>	<b>24.6</b>	<b>24.0</b>	N10276	B366
27.3	27.3	...	27.3	27.3	<b>26.9</b>	<b>25.2</b>	<b>24.6</b>	<b>24.0</b>	N10276	B564
<b>Rod and Bar</b>										
16.7	14.7	...	13.7	13.2	13.2	13.2	13.2	13.2	N04400	B164
23.3	23.3	...	23.3	23.3	23.3	23.3	23.3	23.3	N06600	B166
23.3	23.3	...	23.3	23.3	23.3	23.3	23.3	23.3	N06600	B166
23.3	23.3	...	23.3	23.3	23.3	23.3	23.3	23.3	N06600	B166
26.7	23.5	...	21.9	21.2	21.2	21.2	21.2	21.2	N04400	B164
26.7	24.5	...	23.1	22.0	21.2	20.7	20.6	20.4	N06600	B166
27.3	27.3	...	27.3	27.3	<b>26.9</b>	<b>25.2</b>	<b>24.6</b>	<b>24.0</b>	N10276	B574
30.0	21.2	...	21.2	21.2	21.2	21.2	21.2	21.1	N06600	B166

(12) **Table K-1 Allowable Stresses in Tension for Metals for Chapter IX<sup>1-6, 18</sup> (Cont'd)**  
 Numbers in Parentheses Refer to Notes for Appendix K Tables; Specifications Are ASTM Unless Otherwise Indicated

Material	Spec. No.	P-No. (7)	Grade	Notes	Specified Min. Strength, ksi	
					Tensile	Yield
<b>Titanium and Titanium Alloy Pipes and Tubes (17)</b>						
Ti	B861	51	2	...	50	40
Ti	B338	51	2	(8)	50	40
Ti-0.2 Pd	B861	51	7	...	50	40
Ti-0.2 Pd	B338	51	7	(8)	50	40
Ti	B861	52	3	...	65	55
Ti	B338	52	3	(8)	65	55
<b>Forgings and Fittings</b>						
Ti	B363	51	WPT2	(8)	50	40
Ti	B381	51	F2	...	50	40
Ti-0.2 Pd	B381	51	F7	...	50	40
Ti	B363	52	WPT3	(8)	65	55
Ti	B381	52	F3	...	65	55

**Table K-1 Allowable Stresses in Tension for Metals for Chapter IX<sup>1-6, 18</sup> (Cont'd)**  
 Numbers in Parentheses Refer to Notes for Appendix K Tables; Specifications Are ASTM Unless Otherwise Indicated

Allowable Stress, ksi (Multiply by 1000 to Obtain psi), for Metal Temperature, °F, Not Exceeding										
100	200	250	300	400	500	600	650	700	Grade	Spec. No.
<b>Titanium and Titanium Alloy Pipes and Tubes (17)</b>										
26.7	21.0	...	17.1	13.1	9.9	7.6	...	...	2	B861
26.7	21.0	...	17.1	13.1	9.9	7.6	...	...	2	B338
26.7	21.0	...	17.1	13.1	9.9	7.6	...	...	7	B861
26.7	21.0	...	17.1	13.1	9.9	7.6	...	...	7	B338
36.7	29.3	...	23.8	19.1	15.0	11.4	...	...	3	B861
36.7	29.3	...	23.8	19.1	15.0	11.4	...	...	3	B338
<b>Forgings and Fittings</b>										
26.7	21.0	...	17.1	13.1	9.9	7.6	...	...	WPT2	B363
26.7	21.0	...	17.1	13.1	9.9	7.6	...	...	F2	B381
26.7	21.0	...	17.1	13.1	9.9	7.6	...	...	F7	B381
36.7	29.3	...	23.8	19.1	15.0	11.4	...	...	WPT3	B363
36.7	29.3	...	23.8	19.1	15.0	11.4	...	...	F3	B381

## APPENDIX L

# ALUMINUM ALLOY PIPE FLANGES

### L300 GENERAL

This Appendix covers pressure–temperature ratings, materials, dimensions, and marking of forged aluminum alloy flanges, as an alternative to applying the rules in paras. 304.5.1(b) and 304.5.2(b). DN 15 (NPS ½) through DN 600 (NPS 24) flanges may be welding neck, slip-on, socket welding, lapped, or blind in ratings of Classes 150, 300, and 600.

Requirements and recommendations regarding bolting and gaskets are included.

### L301 PRESSURE–TEMPERATURE RATINGS

#### L301.1 Ratings Basis

Ratings are maximum allowable working gage pressures at the temperatures shown in Tables L301.2M and L301.2U for the applicable material and pressure Class. For intermediate temperatures, linear interpolation is permitted.

#### L301.2 Ratings of Flanged Joints

(a) In addition to the considerations in para. F312.1, consideration must be given to the low modulus of elasticity of aluminum alloys. External moments should be limited, and controlled bolt tightening or other techniques may be necessary to achieve and maintain a leak-free joint.

(b) For ratings of slip-on and socket welding flanges made of Alloy 6061-T6, see Tables L301.2M and L301.2U, Note (3).

#### L301.3 Temperature Considerations

Application of the ratings in this Appendix to flanged joints at both high and low temperatures shall take into consideration the risk of leakage due to forces and moments developed in the connected piping or equipment. The following provisions are intended to minimize these risks.

**L301.3.1 Flange Attachment.** Slip-on and socket welding flanges are not recommended for service below –50°F if flanges are subject to thermal cycling.

**L301.3.2 Differential Thermal Expansion and Conductivity.** Because aluminum alloys have thermal expansion coefficients approximately twice those for steel, and thermal conductivity approximately three times that of steel, it may be necessary to provide for differential

expansion and expansion rates between components of the flanged joint. Consideration shall be given to thermal transients (e.g., startup, shutdown, and upset) in addition to the operating temperature of the joint.

#### L301.4 Hydrostatic Test

A flange shall be capable of withstanding a hydrostatic test at 1.5 times its 100°F pressure rating.

### L302 MARKING

Marking shall be in accordance with MSS SP-25, except as follows. Marking shall be stamped on the edge of each flange.

#### L302.1 Name

The manufacturer's name or trademark shall be applied.

#### L302.2 Material

The marking ASTM B247 shall be applied, followed by the applicable alloy and temper designations.

#### L302.3 Rating

The marking shall be the applicable rating Class: 150, 300, or 600.

#### L302.4 Designation

The marking B31.3L shall be applied.

#### L302.5 Size

The marking of NPS shall be applied. A reducing size shall be designated by its two nominal pipe sizes. See examples in Note (4) of Table 6, ASME B16.5.

### L303 MATERIALS

#### L303.1 Flange Material

Flanges shall be forgings conforming to ASTM B247. For specific alloys and tempers, see Tables L301.2M and L301.2U. For precautions in use, see para. 323.5 and Appendix F, para. F323.

**L303.1.1 Repair Welding of Flanges.** Repair welding of flanges manufactured to this Appendix shall be restricted to any damaged areas of the weld bevel of welding neck flanges unless specifically approved by the Purchaser after consideration of the extent, location,



**Table L301.2M Pressure–Temperature Ratings (Metric Units)**

Material ASTM B247 Alloy, Temper	Class 150 Temperature [Note (1)]				Class 300 Temperature [Note (1)]				Class 600 Temperature [Note (1)]			
	38	66	93	121	38	66	93	121	38	66	93	121
3003-H112	275	275	240	240	725	690	655	655	1 415	1 380	1 345	1 275
6061-T6 [Note (2)]	1 895	1 860	1 825	1 795	4 965	4 895	4 825	4 655	9 930	9 790	9 655	9 345
6061-T6 [Note (3)]	1 265	1 240	1 215	1 195	3 310	3 265	3 215	3 105	6 620	6 525	6 435	6 230

GENERAL NOTE: Pressures are in kPa; temperatures are in °C.

NOTES:

- (1) The minimum temperature is –269°C (–425°F). The maximum rating below 38°C (100°F) shall be the rating shown for 38°C.
- (2) Ratings apply to welding neck, lapped, and blind flanges.
- (3) Ratings apply to slip-on and socket welding flanges.

**Table L301.2U Pressure–Temperature Ratings (U.S. Customary Units)**

Material ASTM B247 Alloy and Temper	Class 150 Temperature [Note (1)]				Class 300 Temperature [Note (1)]				Class 600 Temperature [Note (1)]			
	100	150	200	250	100	150	200	250	100	150	200	250
3003-H112	40	40	35	35	105	100	95	95	205	200	195	185
6061-T6 [Note (2)]	275	270	265	260	720	710	700	675	1 440	1 420	1 400	1 355
6061-T6 [Note (3)]	185	180	175	175	480	475	465	450	960	945	935	905

GENERAL NOTE: Pressures are in psig; temperatures are in °F.

NOTES:

- (1) The minimum temperature is –269°C (–425°F). The maximum rating below 38°C (100°F) shall be the rating shown for 38°C.
- (2) Ratings apply to welding neck, lapped, and blind flanges.
- (3) Ratings apply to slip-on and socket welding flanges.

**Table L303.2 Aluminum Bolting Materials**

ASTM Specification	Alloy	Temper
B211	2014	T6, T261
B211	2024	T4
B211	6061	T6, T261

GENERAL NOTE: Repair welding of bolting material is prohibited.

and effect on temper and ductility. Repair welding of any area other than the weld bevel on 6061-T6 welding neck flanges shall restrict the pressure/temperature ratings to those specified for slip-on and socket welding flanges in Tables L301.2M and L301.2U. Any repair welding shall be performed in accordance with para. 328.6.

### L303.2 Bolting Materials

Bolting listed in Table L303.2 and in ASME B16.5, Table 1B, may be used subject to the following limitations.

**L303.2.1 High Strength Bolting.** Bolting materials listed as high strength in ASME B16.5, Table 1B, may be used in any flanged joints. See para. L305.

**L303.2.2 Intermediate Strength Bolting.** Bolting materials in Table L303.2, and bolting listed as intermediate strength in ASME B16.5, Table 1B, may be used in any flanged joints. See para. L305.

**L303.2.3 Low Strength Bolting.** Bolting materials listed as low strength in ASME B16.5, Table 1B, may be used in Classes 150 and 300 flanged joints. See para. L305.

### L303.3 Gaskets

Gaskets listed in ASME B16.5, Annex C, Table C1, Group Ia may be used with any rating Class and bolting.

**L303.3.1 Gaskets for Low Strength Bolting.** If bolting listed as low strength (see para. L303.2.3) is used, gaskets listed in ASME B16.5, Annex C, Table C1, Group Ia shall be used.

**L303.3.2 Gaskets for Class 150 Flanged Joints.** It is recommended that only gaskets listed in ASME B16.5, Annex C, Table C1, Group Ia be used.

**L303.3.3 Gaskets for Class 300 and Higher Flanged Joints.** It is recommended that only gaskets listed in ASME B16.5, Annex C, Table C1, Group I be used. For gaskets in Group Ib, line flanges should be of the welding

neck or lapped joint type; controlled-torque tightening practices should be used.

#### **L304 DIMENSIONS AND FACINGS**

(a) Flanges shall meet the dimensional and tolerance requirements of ASME B16.5.

(b) Flange facing and facing finish shall be in accordance with ASME B16.5, except that small male and female facings (on ends of pipe) shall not be used.

#### **L305 DESIGN CONSIDERATIONS**

The following design considerations are applicable to all flanged joints which incorporate a flange manufactured to this Appendix:

(a) The differential expansion within a flanged joint must be considered; also, see para. F312.

(b) Where a gasket other than those recommended in para. L303.3 is specified, the designer shall verify by calculations the ability of the selected bolting to seat the selected gasket and maintain a sealed joint under the expected operating conditions without over-stressing the components.

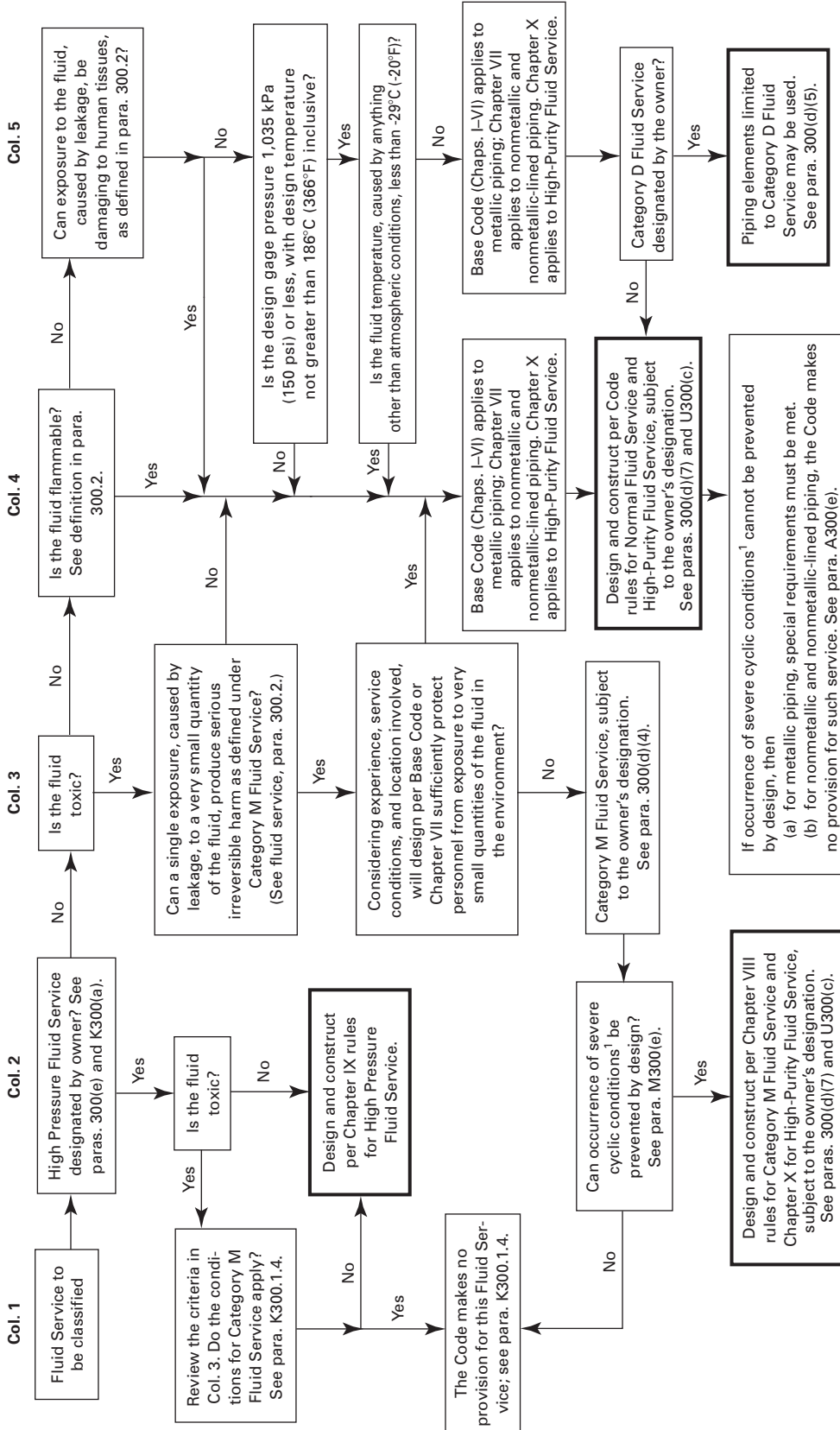
# **APPENDIX M**

## **GUIDE TO CLASSIFYING FLUID SERVICES**

See Fig. M300.

(12)

Fig. M300 Guide to Classifying Fluid Services



GENERAL NOTES:

- (a) See paras. 300(b)(1), 300(d)(4) and (5), and 300(e) for decisions the owner must make. Other decisions are the designer's responsibility; see para. 300(b)(2).
- (b) The term "fluid service" is defined in para. 300.2.

NOTE:

- (1) Severe cyclic conditions are defined in para. 300.2. Requirements are found in Chapter II, Parts 3 and 4, and in paras. 323.4.2 and 241.4.3.

## APPENDIX N

# APPLICATION OF ASME B31.3 INTERNATIONALLY

(12)

### N100 INTRODUCTION

The ASME B31.3 Process Piping Code is an internationally recognized code for pressure piping. ISO 15649, Petroleum and natural gas industries — Piping, incorporates ASME B31.3 by normative reference and contains provisions for agreed common international practice that are additional to B31.3. ISO 15649 was prepared by Technical Committee TC 67, Subcommittee SC 6, Working Group WG 5.

### N200 COMPLIANCE WITH THE EUROPEAN PRESSURE EQUIPMENT DIRECTIVE (PED)

The European Pressure Equipment Directive 97/23/EC is mandatory throughout all Member States of the European Union (EU) and the rest of the European Economic Area, effective May 30, 2002. The PED contains essential safety requirements that must be satisfied before a manufacturer can declare conformity with the Directive and place its product on the market anywhere in the European Community.

Some articles of the PED and its essential safety requirements are either not satisfied or are not addressed by ASME B31.3, and aspects of ASME B31.3 differ from the PED and the essential safety requirements.

Examples of where essential safety requirements are not fully satisfied by ASME B31.3 are as follows:

(a) decomposition of unstable fluids

- (b) draining and venting
- (c) short duration pressure surge
- (d) temperature monitoring devices
- (e) external fire
- (f) marking and labeling
- (g) operating instructions
- (h) route of underground piping
- (i) joint coefficients
- (j) listed materials

To assist industry in using ASME B31.3, the Engineering Equipment and Materials Users' Association (EEMUA) has cooperated with the European Petroleum Industry Association (Europia) to publish CEN/TR 14549 — Guide to the use of ISO 15649 and ANSI/ASME B31.3 for piping in Europe in compliance with the Pressure Equipment Directive.

The format of the guide is that of a set of additional and modified requirements to ISO 15649 and ASME B31.3 that are required by the PED. It also gives a more-detailed explanation of the principal aspects and processes that require attention in order to be in compliance with the PED, especially where different from industry practice that was current before May 2002.

The full text of the PED can be found at <http://ec.europa.eu/enterprise/sectors/pressure-and-gas/documents/ped/>.

## APPENDIX P

# ALTERNATIVE RULES FOR EVALUATING STRESS RANGE

### P300 GENERAL

(a) This Appendix provides alternative rules for evaluating the stress range in piping systems. The piping system is compliant with the displacement stress range requirements of the Code if the stress range evaluation of the piping system satisfies either the requirements of Chapter II or the requirements of this Appendix. This Appendix considers stresses at operating conditions, including both displacement and sustained loads, rather than displacement stress range only. The method is more comprehensive than that provided in Chapter II and is more suitable for computer analysis of piping systems, including nonlinear effects such as pipes lifting off supports.

(b) The paragraph numbers of this Appendix, except for para. P300, correspond to those of Chapters I and II of the base Code. The prefix P is used.

(c) In the application of these alternative rules, all of the provisions of Chapters I and II of the base Code apply, except those that are specifically modified by this Appendix.

#### P300.2 Definitions

Replace the definition of *severe cyclic conditions* with the following:

*severe cyclic conditions*: conditions applying to specific piping components or joints in which  $S_E$ , computed in accordance with para. P319.4.4, exceeds  $0.8S_{EA}$  [as defined in para. P302.3.5(d)] and the equivalent number of cycles [ $N$  in para. P302.3.5(d)] exceeds 7 000; or other conditions which the designer determines will produce an equivalent effect.

### P302 DESIGN CRITERIA

#### P302.3 Allowable Stresses and Other Stress Limits

**P302.3.5 Limits of Calculated Stresses Due to Sustained Loads and Displacement Strains.** Replace para. 302.3.5(d) and revise para. 302.3.5(e) with the following. See para. 302.3.5(d) for nomenclature and footnotes.

(d) *Allowable Operating Stress and Operating Stress Range.* For each evaluated operating condition, the operating stress,  $S_o$ , for each component in a piping system [see para. P319.4.4(a)] shall not exceed its allowable operating stress,  $S_{oA}$ , calculated by eq. (P1a). The

operating stress is the calculated stress at any operating condition, including pressure, weight and other sustained loads, and displacement. Occasional loads (see para. 302.3.5) are not required to be included. For eq. (P1a),  $S_c$  and  $S_h$  are the basic allowable stresses obtained directly from Table A-1 at ambient temperature and the metal temperature for the operating condition being evaluated. For those materials whose ratio of specified minimum yield strength to specified minimum tensile strength exceeds 0.8, the allowable operating stress for the condition,  $S_{oA}$ , shall be reduced by 15%.

$$S_{oA} = 1.5(S_c + S_h) \quad (\text{P1a})$$

For each evaluated range of conditions, the operating stress range for each component in a piping system [see paras. 319.4.4 and P319.4.4(a)] shall not exceed its allowable operating stress range,  $S_{EA}$  (see paras. 319.2.3 and 319.3.4), calculated by eq. (P1b). The operating stress range is the range of stress between any two operating conditions, including the ranges between operating conditions and a sustained case with the piping at ambient temperature. For eq. (P1b),  $S_c$  and  $S_h$  are the basic allowable stresses defined in para. 302.3.5(d) and obtained at the metal temperatures of the two operating conditions being evaluated.

$$S_{EA} = 1.25 f(S_c + S_h) \quad (\text{P1b})$$

When there is more than one operating stress range to be evaluated, whether from thermal expansion or other conditions,  $S_E$  is defined as the greatest computed operating stress range that is used in calculating  $N$  and in determining if the pipe is under severe cyclic conditions. The value of  $N$  in such cases can be calculated by eq. (P1d)

$$N = N_E + \sum (r_i^5 N_i) \text{ for } i = 1, 2, \dots, n \quad (\text{P1d})$$

where

$N_E$  = number of cycles of maximum computed operating stress range,  $S_E$

$N_i$  = number of cycles associated with computed operating stress range,  $S_i$  ( $i = 1, 2, \dots$ )

$r_i = S_i/S_E$

$S_i$  = any computed operating stress range smaller than  $S_E$  ( $i = 1, 2, \dots$ )

(e) *Weld Joint Strength Reduction Factor, W.* Paragraph 302.3.5(e) applies, except that "both the allowable

operating stress,  $S_{oA}$ , and the allowable operating stress range,  $S_{EA}$ , in para. P302.3.5(d) replaces “allowable stress range for displacement stresses,  $S_A$ , in para. 302.3.5(d).”

## P319 PIPING FLEXIBILITY

### P319.4 Flexibility Analysis

**P319.4.4 Flexibility Stresses.** Paragraph 319.4.4 is applicable, except that subparagraph (a) and eq. (17) are replaced with the following:

(a) The operating stress (and operating stress range) due to bending, torsion, and axial loads (and load ranges) shall be computed using the reference modulus of elasticity at 21°C (70°F),  $E_a$ , except as provided in para. 319.2.2(b)(4), and then combined in accordance with eq. (P17a) to determine the operating stress,  $S_o$ , for each operating condition being evaluated and eq. (P17b) to determine the operating stress range for the range between any two operating conditions.

$$S_o = \sqrt{(|S_a| + S_b)^2 + 4S_t^2} \quad (\text{P17a})$$

$$S_E = \sqrt{(|S_a| + S_b)^2 + 4S_t^2} \quad (\text{P17b})$$

The definitions in para. 319.4.4 apply, with the following additional definitions:

$A_p$  = cross-sectional area of the pipe

$F_a$  = axial force, including that due to internal pressure

$i_a$  = axial force stress intensification factor. In the absence of more applicable data,  $i_a = 1.0$  for elbows, pipe bends, and miter bends (single, closely spaced, and widely spaced), and  $i_a = i_o$  (or  $i$  when listed) in Appendix D for other components; also see para. 319.3.6.

$S_a$  = stress due to axial force =  $i_a F_a / A_p$

### P319.4.5 Required Weld Quality Assurance.

Paragraph 319.4.5 applies, except that  $S_{EA}$  replaces  $S_A$  and “para. P302.3.5” replaces “para. 302.3.5.”

### P319.5 Reactions

Replace para. 319.5 with the following:

Reaction forces and moments used to design restraints and supports for a piping system, and to evaluate the effects of piping displacement on connected equipment, shall be based on the maximum load from operating conditions, including weight, pressure, and other sustained loads; thermal displacement; and, where applicable, occasional loads. The reactions shall be calculated using the modulus of elasticity at the temperature of the condition,  $E_m$  ( $E_a$  may be used instead of  $E_m$  when it provides a more conservative result). The temperature of the condition may differ in different locations within the piping system.

Where cold spring is used in the piping system, experience has shown that it cannot be fully assured. Therefore, the reactions shall be computed both with the assumption that only two-thirds of the design cold spring is present, and with four-thirds of the design cold spring present.

If it is necessary to determine the reactions at ambient temperature, the designer shall consider loads at that condition, including the design cold spring and self springing of piping. Self springing may occur if the operating stress in the piping system exceeds the yield strength of the material or if the piping operates at temperatures in the creep range of the material.

#### P319.5.1 Maximum Reactions for Simple Systems.

Paragraph 319.5.1 is not applicable.

#### P319.5.2 Maximum Reactions for Complex Systems.

Paragraph 319.5.2 is not applicable.

## APPENDIX Q

# QUALITY SYSTEM PROGRAM

[This Appendix is a Code requirement only when specified by the owner in accordance with para. 300(b)(1).]

Design, construction, inspection, examination, testing, manufacture, fabrication, and erection of piping in accordance with this Code shall be performed under a Quality System Program following the principles of an appropriate standard such as the ISO 9000 series.<sup>1</sup> The details describing the quality system shall be documented and shall be available upon request. A determination of the need for registration and/or certification of the quality system program shall be the responsibility of the owner.

---

<sup>1</sup> The series is also available from the American National Standards Institute (ANSI) and the American Society for Quality (ASQ) as American National Standards that are identified by the prefix "Q," replacing the prefix "ISO." Each standard of the series is listed under Appendix E.



# APPENDIX S

## PIPING SYSTEM STRESS ANALYSIS EXAMPLES

### S300 INTRODUCTION

The example in this Appendix is intended to illustrate the application of the rules and definitions in Chapter II, Part 5, Flexibility and Support; and the stress limits of para. 302.3.5. The loadings and conditions necessary to comply with the intent of the Code are presented.

#### S300.1 Definitions and Nomenclature

*global axes:* These are Cartesian X, Y, and Z axes. In this Appendix, vertically upward is taken to be the +Y direction with gravity acting in the -Y direction.

$P_i$ : piping internal pressure; see para. 301.2; when more than one condition exists for the piping system, each is subscripted (e.g.,  $P_1, P_2, \dots$ )

$T_j$ : pipe maximum or minimum metal temperature; see paras. 301.3 and 319.3.1(a); when more than one condition exists for the piping system, each is subscripted (e.g.,  $T_1, T_2, \dots$ )

Y+: a "single acting support" that provides support in only the vertically upward direction and is considered to be "active" when the pipe exerts a downward force on the support. The pipe is free to move upward, i.e., the pipe "lifts off" the support; the support in the "lift-off" situation is considered to be "removed" from providing support, i.e., inactive, during the load condition considered.

### S301 EXAMPLE 1: CODE COMPLIANT PIPING SYSTEM

#### S301.1 Example Description

This example is intended to illustrate the design of an adequately supported and sufficiently flexible piping system. The piping system in Fig. S301.1 is fabricated from ASTM A106 Grade B seamless pipe (i.e.,  $E = 1.00$ ); the pipe is DN 400 (NPS 16) with a nominal wall thickness of 9.53 mm (0.375 in.), 127 mm (5 in.) thickness of calcium silicate insulation, and 1.59 mm (0.063 in.) corrosion allowance; the fluid has a specific gravity of 1.0. The equivalent number of cycles expected for the piping system is fewer than 7 000 [i.e.,  $f = 1.00$  in accordance with para. 302.3.5(d)].

The piping system is in normal fluid service. The installation temperature is 21°C (70°F). The reference modulus of elasticity used for the piping analysis is 203.4 GPa (29.5 Msi) from Appendix C, Table C-6 in

Fig. S301.1 Simple Code Compliant Model

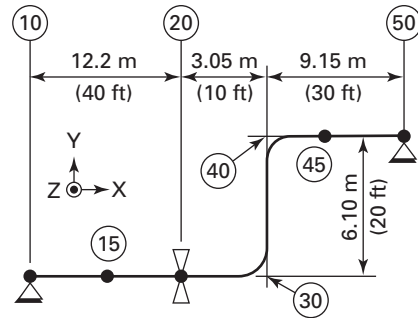


Table S301.1 Temperature/Pressure Combinations

Conditions	Pressure	Temperature
Design conditions	3 795 kPa (550 psi)	288°C (550°F)
Operating ( $P_1, T_1$ ) maximum metal temperature	3 450 kPa (500 psi)	260°C (500°F)
Operating ( $P_2, T_2$ ) minimum metal temperature	0 kPa (0 psi)	-1°C (30°F)
Installation temperature	0 kPa (0 psi)	21°C (70°F)

accordance with paras. 319.3.2 and 319.4.4, and Poisson's ratio is 0.3 in accordance with para. 319.3.3.

The piping internal pressure, maximum and minimum metal temperatures expected during normal operation, and the design conditions are listed in Table S301.1. The design conditions are set sufficiently in excess of the operating conditions so as to provide additional margin on the allowable stress for pressure design as required by the owner.

#### S301.2 Design Conditions

The design conditions establish the pressure rating, flange ratings, component ratings, and minimum required pipe wall thickness in accordance with para. 301.2.1. For example, ASME B16.5 requires a minimum of Class 300 for ASTM A105 flanges. Also, the minimum required pipe wall thickness,  $t_m$ , is determined from the

design conditions by inserting eq. (3a) into eq. (2); terms are defined in para. 304.1.1 and Appendix J:

$$E = 1.0$$

$$P = \text{design pressure} \\ = 3\,795 \text{ kPa (550 psi)}$$

$$S = \text{allowable stress from Appendix A, Table A-1} \\ = 125 \text{ MPa (18.1 ksi) at design temperature } 288^\circ\text{C} \\ (550^\circ\text{F})$$

$$Y = 0.4 \text{ from Table 304.1.1}$$

Insert eq. (3a) into eq. (2):

$$t_m = t + c = \frac{PD}{2(SE + PY)} + c \\ = \frac{(3795 \text{ kPa})(406.4 \text{ mm})}{2[(125 \text{ MPa})(1.00) + (3795 \text{ kPa})(0.4)]} + 1.59 \text{ mm} \\ = 6.10 \text{ mm} + 1.59 \text{ mm} = 7.69 \text{ mm (0.303 in.)}$$

In accordance with para. 304.1.2(a),  $t$  must be less than  $D/6$  for eq. (3a) to be appropriate without considering additional factors to compute the pressure design thickness,  $t$  (i.e.,  $t < D/6$ , or  $7.69 \text{ mm} < 406.4 \text{ mm}/6$ ). Since  $7.69 \text{ mm (0.303 in.)} < 67.7 \text{ mm (2.67 in.)}$ , eq. (3a) is applicable without special consideration of factors listed in para. 304.1.2(b).

Now select a pipe schedule of adequate thickness. Determine the specified minimum pipe wall thickness,  $T$ , from nominal pipe wall thickness,  $\bar{T}$ , considering a mill tolerance of 12.5%.

Select DN 400 (NPS 16) Schedule 30/STD nominal wall thickness from ASME B36.10M:

$$\bar{T} = 9.53 \text{ mm (0.375 in.)}$$

$$T = (9.53 \text{ mm})(1.00 - 0.125) = 8.34 \text{ mm (0.328 in.)}$$

Since  $T \geq t_m$  (i.e.,  $8.34 \text{ mm} > 7.69 \text{ mm}$ ), the selection of the nominal pipe wall thickness,  $\bar{T}$ , for Schedule 30/STD pipe is acceptable. The long radius elbows specified for this piping system are in accordance with ASME B16.9 and are specified to be for use with Schedule 30/STD wall thickness pipe.

### S301.3 Computer Model Input

Tables S301.3.1 and S301.3.2 list the “node numbers,” lengths, etc., for each piping element displayed in Fig. S301.1. A bend radius of 1.5 times the nominal pipe diameter [i.e.,  $609.6 \text{ mm (24 in.)}$ ] and nominal wall thickness of  $9.53 \text{ mm (0.375 in.)}$  are used for the elbows in the computer model.

Generic computer program option “flags” are as follows:

- (a) include pressure stiffening on elbows
- (b) exclude pressure thrust and Bourdon effects
- (c) use nominal section properties for both the stiffness matrix and the displacement stress analysis
- (d) use “nominal less allowances” section properties for sustained stress,  $S_L$

**Table S301.3.1 Generic Pipe Stress Model Input**

Term	Value
Operating conditions:	
internal pressure, $P_1$	3 450 kPa (500 psi)
maximum metal temp., $T_1$	260°C (500°F)
minimum metal temp., $T_2$	-1°C (30°F)
installation temperature	21°C (70°F)
Line size	DN 400 (NPS 16)
Pipe	Schedule 30/STD, 9.53 mm (0.375 in.)
Mechanical allowance, $c$	1.59 mm (0.063 in.)
Mill tolerance	12.5%
Elbows	Long radius
Fluid specific gravity	1.0
Insulation thickness	127 mm (5 in.)
Insulation density	176 kg/m <sup>3</sup> (11.0 lbm/ft <sup>3</sup> )
Pipe material	ASTM A106 Grade B
Pipe density	7 833.4 kg/m <sup>3</sup> (0.283 lbm/in. <sup>3</sup> )
Total weight	7 439 kg (16,400 lbm)
Unit weight	248.3 kg/m (166.9 lbm/ft)

(e) include axial load and internal pressure force in the sustained stress,  $S_L$

(f) intensify the elbows' in-plane bending moment in the calculation of the elbows' effective stress due to sustained loads,  $S_L$

### S301.4 Pressure Effects

For the operating, sustained, and displacement stress range load cases, the effect of pressure stiffening on the elbows is included to determine the end reactions in accordance with Appendix D, Note (7). The effects of pressure-induced elongation and Bourdon effects are not included, as both are deemed negligible for this particular example.

### S301.5 The Operating Load Case

The operating load case is used to determine the operating position of the piping and reaction loads for any attached equipment, anchors, supports, guides, or stops. The operating load case is based on the temperature range from the installation temperature of 21°C (70°F) to the maximum operating metal temperature of 260°C (500°F), in accordance with para. 319.3.1(b). The operating load case in this example also includes the effects of internal pressure, pipe weight, insulation weight, and fluid weight on the piping system. Both pipe stiffness and stress are based on the nominal thickness of the pipe. Pipe deflections and internal reaction loads for the operating load case are listed in Table S301.5.1. Piping loads acting on the anchors and support structure are listed in Table S301.5.2.

**Table S301.3.2 Element Connectivity, Type, and Lengths**

From	To	$D_{x_i}$ m (ft)	$D_{y_i}$ m (ft)	Element Type
10	15	6.10 (20)	...	10 anchor 15 bisection node
15	20	6.10 (20)	...	20 Y support
20	30	3.05 (10)	...	Three-node elbow [Note (1)]
30	40	...	6.10 (20)	Three-node elbow [Note (1)]
40	45	3.05 (10)	...	Informational node
45	50	6.10 (20)	...	50 anchor

GENERAL NOTE: This piping system is planar, i.e.,  $D_z = 0$  m (ft) for each piping element.

NOTE:

- (1) The specified element lengths are measured to and/or from each elbow's tangent intersection point.

**Table S301.5.1 Operating Load Case Results: Internal Loads and Deflections**

Node Number	Axial Force, N (lb) (Signed) [Note (1)]	Bending Moment, N-m (ft-lb) (Unsigned) [Note (1)]	Horizontal Deflection, mm (in.) [Note (1)]	Vertical Deflection, mm (in.) [Note (1)]
10	+26 500 (+5,960)	21 520 (15,870)	0.00	0.00
15	-26 500 (-5,960)	10 710 (7,900)	18.3 (0.72)	-1.3 (-0.05)
20	-26 500 (-5,960)	47 560 (35,080)	36.7 (1.44)	0.00
30 near	-26 500 (-5,960)	57 530 (42,440)	44.0 (1.73)	-3.7 (-0.14)
30 mid	-46 300 (-10,410)	69 860 (51,530)	44.7 (1.76)	-2.3 (-0.09)
30 far	-37 800 (-8,500)	65 320 (48,180)	41.4 (1.63)	0.4 (0.02)
40 near	-25 920 (-5,830)	63 930 (47,160)	-23.0 (-0.91)	15.1 (0.59)
40 mid	-36 250 (-8,150)	70 860 (52,270)	-26.4 (-1.04)	17.8 (0.70)
40 far	-26 500 (-5,960)	65 190 (48,080)	-25.7 (-1.01)	19.2 (0.75)
45	-26 500 (-5,960)	14 900 (10,990)	-18.3 (-0.72)	13.5 (0.53)
50	-26 500 (-5,960)	47 480 (35,030)	0.00	0.00

NOTE:

- (1) Loads and deflections are averaged from commercial programs with a variance within units' conversion tolerance.

**Table S301.5.2 Operating Load Case Results: Reaction Loads on Supports and Anchors**

Node	Global Axis Forces and Moments		
	$F_x$ , N (lb) (Signed) [Note (1)]	$F_y$ , N (lb) (Signed) [Note (1)]	$M_z$ , N-m (ft-lb) (Unsigned) [Note (1)]
10 anchor	-26 500 (-5,960)	-12 710 (-2,860)	21 520 (15,870)
20 support	...	-63 050 (-14,180)	...
50 anchor	+26 500 (+5,960)	+2 810 (+630)	47 480 (35,030)

NOTE:

- (1) Loads and deflections are averaged from commercial programs with a variance within units' conversion tolerance.

**Table S301.6 Sustained Forces and Stresses**  
**[Allowable,  $S_h = 130$  MPa (18,900 psi)]**

Node	Axial Force, N (lb) (Signed) [Note (1)]	Bending Moment, N-m (ft-lb) (Unsigned) [Note (1)]	Sustained Stress, $S_L$ , kPa (psi) [Note (2)]
10 anchor	+3 270 (+735)	17 260 (12,730)	59 100 (8,560)
20 support	-3 270 (-735)	56 130 (41,400)	99 200 (14,370)
30 far	-19 880 (-4,470)	16 320 (12,040)	72 700 (10,540)
40 far	+3 270 (+735)	2 340 (1,730)	46 050 (6,680)
50 anchor	+3 270 (+735)	37 860 (27,930)	80 350 (11,650)

## NOTES:

- (1) Loads, deflections, and stresses are averaged from commercial programs with a variance within units' conversion tolerance.
- (2) Axial forces have their sign retained and do not include the signed axial pressure force, which is also included in the sustained stress,  $S_L$ .

### S301.6 The Sustained Load Case

Sustained stresses due to the axial force, internal pressure, and intensified bending moment in this example are combined to determine the sustained longitudinal stress,  $S_L$ . The sustained load case excludes thermal effects and includes the effects of internal pressure [ $P_1 = 3450$  kPa (500 psi)], pipe weight, insulation weight, and fluid weight on the piping system.

Nominal section properties are used to generate the stiffness matrix and sustained loads for the computer model in accordance with para. 319.3.5. The nominal thickness, less allowances, is used to calculate the section properties for the sustained stress,  $S_L$ , in accordance with para. 302.3.5(c).

A summary of the sustained load case internal reaction forces, moments, and sustained stresses,  $S_L$ , is provided in Table S301.6. Since this example model lies in only one plane, only the sustained bending stress due to the in-plane bending moment is not zero. The in-plane bending moment is intensified at each elbow by the appropriate index for an unflanged elbow. Note that sustained stresses for the nodes listed in Table S301.6 do not exceed the 130 MPa (18,900 psi) sustained allowable stress,  $S_h$ , for A 106 Grade B piping at the maximum metal temperature,  $T_1 = 260^\circ\text{C}$  (500°F), from Appendix A, Table A-1. By limiting  $S_L$  to the sustained allowable,  $S_h$ , the piping system is deemed adequately protected against collapse.

### S301.7 The Displacement Stress Range Load Case

The displacement stress range,  $S_E$ , in this example is based on the temperature range from the installation [ $21^\circ\text{C}$  (70°F)] to minimum metal temperature [ $T_2 = -1^\circ\text{C}$  (30°F)] and from the installation [ $21^\circ\text{C}$  (70°F)] to maximum metal temperature for the thermal cycles under analysis [ $T_1 = 260^\circ\text{C}$  (500°F)], in accordance with para. 319.3.1(a). The displacement stress range,  $S_E$ , for each

element is calculated in accordance with eq. (17) and is listed in Table S301.7, along with the internal reaction loads. Nominal section properties are used to generate the stiffness matrix and displacement stress in the piping in accordance with para. 319.3.5. Since this example model lies in only one plane, only the in-plane bending moment is not zero. The in-plane moment is intensified at each elbow by the appropriate Appendix D stress intensification factor,  $i_i$ , for an unflanged elbow.

For simplicity, the allowable displacement stress range,  $S_A$ , is calculated in accordance with eq. (1a). Though eq. (1a) is used in this example, it is also acceptable to calculate  $S_A$  in accordance with eq. (1b), which permits  $S_A$  to exceed the eq. (1a) value for each piping element, based on the magnitude of each element's sustained stress,  $S_L$ .

The following terms are as defined in para. 302.3.5(d) and Appendix J:

$$f = 1.00 \text{ for } \leq 7\,000 \text{ equivalent cycles, from Fig. 302.3.5 or eq. (1c)}$$

$$\begin{aligned} S_A &= f(1.25S_c + 0.25S_h) \\ &= (1.00)[(1.25)(138 \text{ MPa}) + (0.25)(130 \text{ MPa})] \\ &= 205 \text{ MPa (29,725 psi)} \end{aligned}$$

$$\begin{aligned} S_c &= \text{allowable stress from Appendix A, Table A-1} \\ &= 138 \text{ MPa (20.0 ksi) at } T_2 \end{aligned}$$

$$\begin{aligned} S_h &= \text{allowable stress from Appendix A, Table A-1} \\ &= 130 \text{ MPa (18.9 ksi) at } T_1 \end{aligned}$$

$$\begin{aligned} T_1 &= \text{maximum metal temperature} \\ &= 260^\circ\text{C (500}^\circ\text{F)} \end{aligned}$$

$$\begin{aligned} T_2 &= \text{minimum metal temperature} \\ &= -1^\circ\text{C (30}^\circ\text{F)} \end{aligned}$$

Note that each piping element's displacement stress range, based on minimum to maximum metal temperature for the thermal cycles under analysis,  $S_E$ , does not exceed the eq. (1a) allowable,  $S_A$ . By limiting  $S_E$  to  $S_A$ , the piping system is deemed adequate to accommodate up to 7 000 full excursion equivalent cycles.

**Table S301.7 Displacement Stress Range [ $S_A = 205 \text{ MPa (29,725 psi)}$ ]**

Node	Global Axis Forces and Moments			
	$F_x$ , N (lb) (Unsigned) [Note (1)]	$F_y$ , N (lb) (Unsigned) [Note (1)]	$M_z$ , N-m (ft-lb) (Unsigned) [Note (1)]	$S_E$ From Eq. (17), kPa (psi) [Note (1)]
10 anchor	25 070 (5,640)	1 130 (260)	4 600 (3,390)	4 000 (580)
20 support	25 070 (5,640)	1 130 (260)	9 250 (6,820)	8 040 (1,170)
30 mid	25 070 (5,640)	19 330 (4,350)	60 250 (44,440)	137 000 (19,870)
40 mid	25 070 (5,640)	19 330 (4,350)	76 740 (56,600)	174 500 (25,300)
50 anchor	25 070 (5,640)	19 330 (4,350)	92 110 (67,940)	79 900 (11,600)

NOTE:

(1) Loads, deflections, and stresses are averaged from commercial programs with a variance within units' conversion tolerance.

Considering both the sustained and displacement stress range load cases, the piping system is compliant with the requirements of the Code; redesign of the piping system is not required unless the sustained or operating reaction loads at either anchor data point 10 or 50 exceed the allowable loads for the attached equipment nozzle or the support structure at node 20 is overloaded. The nozzle load and support structure analyses are beyond the scope of this Appendix and are not addressed.

## S302 EXAMPLE 2: ANTICIPATED SUSTAINED CONDITIONS CONSIDERING PIPE LIFT-OFF

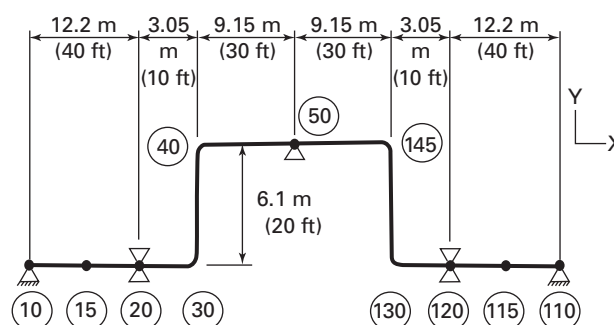
### S302.1 Example Description

This example is intended to illustrate the analysis of a piping system in which a portion of the piping lifts off at least one  $Y+$  support in at least one operating condition. The emphasis of this example is to describe the effect this removal of support has on the determination of anticipated sustained conditions. The same principles utilized for this example would also apply for guides and stops (that are single directional or gap-type) that are not engaged during any anticipated operating condition.

The examples in this Appendix are intended for illustration purposes only and are not intended to portray the same as either adequate or even acceptable piping geometries and/or support scenarios. The piping system in Fig. S302.1 is the same in material and dimensional properties as in Example 1; see para. S301.1. Note that both the design and operating conditions are well below the creep regime; therefore, the piping system will not develop any permanent creep-related displacements, relaxation, or sag.

### S302.2 Design Conditions

The design conditions are similar to those in the Example 1 model; see para. S301.2 and Table S302.1. Note that the minimum thickness remains unchanged

**Fig. S302.1 Lift-Off Model****Table S302.1 Temperature/Pressure Combinations**

Conditions	Pressure	Temperature
Design conditions	3 968 kPa (575 psi)	302°C (575°F)
Operating ( $P_1$ , $T_1$ ) maximum metal temperature (Operating Case 1)	3 795 kPa (550 psi)	288°C (550°F)
Operating ( $P_2$ , $T_2$ ) minimum metal temperature (Operating Case 2)	0 kPa (0 psi)	-1°C (30°F)
Installation temperature	...	21°C (70°F)

from Example 1 even though the design conditions have increased slightly. The hydrotest pressure does increase from 6 039 kPa (875 psi) to 6 729 kPa (975 psi).

### S302.3 Computer Model Input

Table S302.3 lists the node numbers, lengths, etc., for each piping component that is displayed in Fig. S302.1. The computer-based options are the same as those for the Example 1 model; see para. S301.3.

**Table S302.3 Generic Pipe Stress Model Input: Component Connectivity, Type, and Lengths**

From	To	$D_X$ , m (ft)	$D_Y$ , m (ft)	Component Type
10	15	6.10 (20)	...	10 anchor 15 informational node
15	20	6.10 (20)	...	20 Y support
20	30	3.05 (10)	...	Three node elbow [Note (1)]
30	40	...	6.10 (20)	Three node elbow [Note (1)]
40	45	3.05 (10)	...	Informational node
45	50	6.10 (20)	...	50 Y+ support
110	115	-6.10 (-20)	...	110 anchor 115 informational node
115	120	-6.10 (-20)	...	120 Y support
120	130	-3.05 (-10)	...	Three node elbow [Note (1)]
130	140	...	6.10 (20)	Three node elbow [Note (1)]
140	145	-3.05 (-10)	...	Informational node
145	50	-6.10 (-20)	...	...

**NOTE:**

(1) The specified component lengths are measured to and/or from each elbow's tangent intersection point.

**S302.4 Pressure Effects**

The pressure effect considerations are the same as those for Example 1; see para. 301.4.

**S302.5 The Operating Load Case**

The operating condition evaluated and discussed in this example, Operating Case 1, includes the effects of pipe weight, insulation weight, fluid weight, internal pressure [ $P_1 = 3\,795$  kPa (550 psi)], and temperature [ $T_1 = 288^\circ\text{C}$  (550°F)]. An operating load case is evaluated to determine the operating position of the piping and determine the reaction loads for any attached equipment, anchors, supports, guides, or stops. In particular, each operating load case's support scenario is evaluated or assessed by the designer in order to determine whether any anticipated sustained conditions need to be evaluated with one or more Y+ supports removed. Further operating load case discussion can be found in para. S301.5.

Piping loads acting on the anchors and support structure for Operating Case 1 are listed in Table S302.5.1. Note that only nodes 10 through 50 are listed in the following tables; this is both for convenience, since the model is symmetric, and for comparison to Example 1, e.g., the loads, deflections, and stresses for nodes 10 through 40 are the same as for nodes 110 through 140 except that some signs may be reversed.

**S302.6 Sustained Conditions**

**S302.6.1 The Stress Due to Sustained Loads,  $S_L$ , Calculations.** The stress due to (long-term) sustained loads,  $S_L$ , is computed in accordance with para. 320.2

for each sustained condition that is evaluated; see para. S302.6.2.

**S302.6.2 Anticipated Sustained Conditions.** All anticipated sustained conditions utilizing all possible support scenarios should be considered. The designer has identified four anticipated sustained conditions for this piping system; each is listed in Table S302.6.2.1, along with the support status of the node 50 Y+ support, as either assessed by analysis or determined by the designer. The designer has deemed the Sustained Condition 3 as both controlling the sustained design and requiring evaluation.

**S302.6.3 Results for the Evaluated Sustained Condition.** The Sustained Condition 3 reflects the support scenario of the Operating Case 1, excludes thermal effects, and includes the effects of internal pressure [ $P_1 = 3\,795$  kPa (550 psi)], pipe weight, insulation weight, and fluid weight on the piping system. A summary of the Sustained Condition 3 internal reaction forces, moments, and sustained stresses,  $S_L$ , appears in Table S302.6.3.1. See para. S301.6 for additional information concerning the sustained stress determination.

**S302.7 Displacement Stress Range Load Cases**

The displacement stress range load cases are not listed, since they are not the subject of this example.

**S302.8 Code Compliance: Satisfying the Intent of the Code**

The Sustained Condition 3 results indicate that the piping system is not protected against collapse for the cycles under analysis when considering the Operating

**Table S302.5.1 Results for Operating Case 1:  
Reaction Loads on Support and Anchors**

Node	$F_x$ , N (lb) (Signed) [Note (1)]	$F_y$ , N (lb) (Signed) [Note (1)]	$M_z$ , N-m (ft-lb) (Unsigned) [Note (1)]
10 anchor	-26 600 (-5,975)	-14 050 (-3,150)	27 000 (19,900)
20 support	...	-58 900 (-13,250)	...
50 Y+	...	0 [Note (2)]	...

## NOTES:

- (1) Loads and deflections are averaged from commercial programs with a variance within units' convergence tolerances. Magnitudes of loads for nodes 10 and 20 are the same for 110 and 120, but may differ in sign.
- (2) No support is provided at the node 50 Y+ restraint for Operating Case 1.

**Table S302.6.2.1 Sustained Load  
Condition Listing**

Sustained Condition	Node 50's Support Status (Active/Removed)
1: As installed [Note (1)]	Active
2: $P_1$ [Note (2)]	Active
3: $P_1$ [Note (2)]	Inactive
4: $P_2$ [Note (2)]	Active

## NOTES:

- (1) The original (as-installed) condition considers only pipe weight and insulation weight without fluid contents or internal pressure.
- (2) The Sustained Conditions reflect the support scenario of the related Operating Conditions, exclude thermal effects, and include the effects of the related internal pressure, pipe weight, insulation weight, and fluid weight on the piping system.

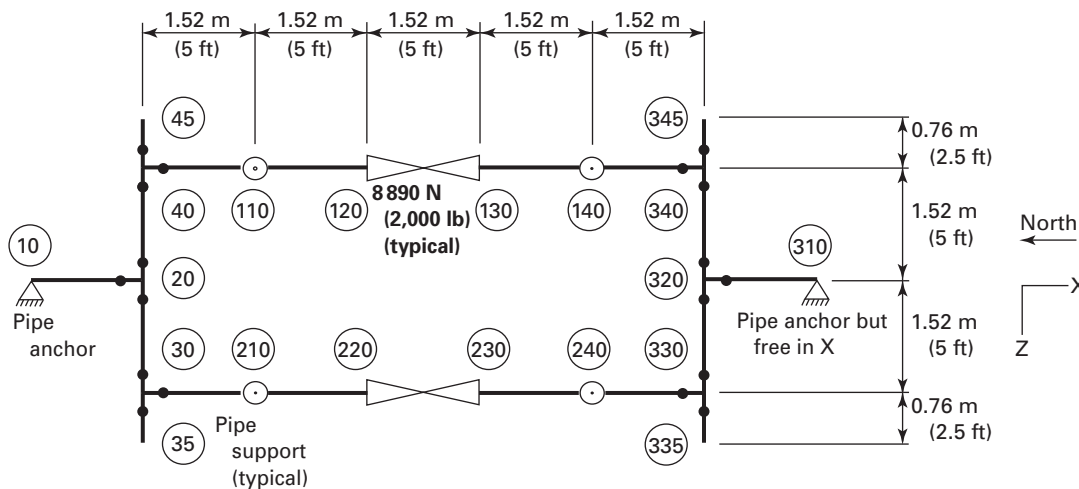
**Table S302.6.3.1 Sustained Forces and Stresses for Sustained Condition 3  
With Node 50 Support Removed  
[Allowable  $S_h = 124.5$  MPa (18,100 psi)]: Fails]**

Node	Global Axis Forces and Moments [Note (1)]			Sustained $S_L$ , kPa (psi) [Notes (2), (3)]
	$F_x$ , N (lb) (Signed) [Note (2)]	$F_y$ , N (lb) (Signed) [Note (2)]	$M_z$ , N-m (ft-lb) (Unsigned)	
10 anchor	12 575 (2,825)	8 385 (1,885)	3 995 (2,945)	48 645 (7,055)
20 support	12 575 (2,825)	64 565 (14,515)	82 845 (61,095)	129 975 (18,850)
30 far	12 575 (2,825)	34 985 (7,865)	29 985 (22,115)	101 920 (14,780)
40 mid	12 575 (2,825)	21 950 (4,935)	32 770 (24,165)	108 525 (15,740)
50 Y+	12 575 (2,825)	0 [Note (4)]	62 885 (46,375)	109 385 (15,865)

## NOTES:

- (1) Loads and deflections are averaged from commercial programs with a variance within units' convergence tolerance. The magnitude of loads and stresses for nodes 10 through 40 are the same for 110 and 140, though the loads may differ in sign.
- (2) Forces have their sign retained, but do not include the signed axial pressure force necessary to compute the axial stress, which is included in the sustained stress,  $S_L$ .
- (3) Stress may differ by slightly more than units' conversion tolerance.
- (4) No support is provided at the node 50 Y+ restraint for Sustained Condition 3.

Fig. S303.1 Moment Reversal Model



Case 1. Therefore, redesign of the piping system is required.

If the piping system is redesigned such that it is compliant with the intent of the Code, then the piping system would require no further attention unless the sustained, hydrotest, or operating reaction loads at either anchor data point 10 or 110 exceed the allowable loads for the attached equipment nozzle, or the support structure at either node 20 or 120 is overloaded. The nozzle loads and support structure analyses are beyond the scope of this Appendix and are not addressed. Although the occasional load cases are important to the design and analysis of a piping system, they are not discussed in this example.

### S303 EXAMPLE 3: MOMENT REVERSAL

#### S303.1 Example Description

This example is intended to illustrate the flexibility analysis required for a piping system that is designed for more than one operating condition and also experiences a “reversal of moments” between any two of the anticipated operating conditions. The examples in this Appendix are intended for illustration purposes only and are not intended to portray the same as either adequate or even acceptable piping geometries and/or support scenarios. Both the design and operating conditions are well below the creep regime.

The piping system in Fig. S303.1 consists of two headers and two branches, which are referred to as gas “meter runs.” Only one of the branches is in service (operating) at a given time; the out-of-service branch is purged and at ambient condition. The design specification calls for each of the meter run branches to alternate in and out of service once per week for the piping system’s planned 20-year service life, i.e.,  $f = 1.20$  in accordance with para. 302.3.5(d). The piping system is fabricated from

ASTM A53 Grade B pipe ( $E = 1.00$ ), both piping headers are DN 600 (NPS 24) and the branches are DN 500 (NPS 20), and both branch and header are 9.53 mm (0.375 in.) thick. For simplicity, each piping segment or component is 1.524 m (5 ft) in length.

The piping system is in normal fluid service. The fluid is gaseous; is considered to add no weight; and to be neither a corrosive nor an erosive hazard, i.e., there is no corrosion allowance. The line is not insulated. The installation temperature is 4.5°C (40°F). The reference modulus of elasticity used is 203.4 GPa (29.5 Msi) and Poisson’s ratio is 0.3. Consideration is given to the close proximity of the three tees in each header in accordance with the guidance in para. 319.3.6, and the stress intensification factors from Appendix D are considered to adequately represent the header tees for this piping system. The piping internal pressure, and minimum and maximum metal temperatures, expected during normal operation for each meter run and the design conditions, are listed in Table S303.1. The design conditions are set sufficiently in excess of the operating conditions so as to provide additional margin on the allowable as required by the owner.

#### S303.2 Design Conditions

The design conditions establish the pressure rating, flange ratings, components ratings, and minimum required pipe wall thickness. ASME B16.5 requires a minimum of Class 300 for ASTM A105 flanges. The minimum required wall thickness for both the branch and header is 4.4 mm (0.171 in.), considering a 12.5% mill tolerance; therefore, selection of the standard wall thickness of 9.5 mm (0.375 in.) is acceptable.

#### S303.3 Computer Model Input

Table S303.3 lists the node numbers, lengths, etc., for each piping component that is displayed in Fig. S303.1.



**Table S303.1 Pressure/Temperature Combinations**

Condition	Header(s)		West Branch		East Branch	
	Pressure	Temperature	Pressure	Temperature	Pressure	Temperature
Design	2 069 kPa (300 psi)	149°C (300°F)	2 069 kPa (300 psi)	149°C (300°F)	2 069 kPa (300 psi)	149°C (300°F)
Operating Case 1 [Note (1)]	1 724 kPa (250 psi)	121°C (250°F)	1 724 kPa (250 psi)	121°C (250°F)	0 kPa (0 psi)	4.5°C (40°F)
Operating Case 2 [Note (2)]	1 724 kPa (250 psi)	121°C (250°F)	0 kPa (0 psi)	4.5°C (40°F)	1 724 kPa (250 psi)	121°C (250°F)
Installation temperature	...	4.5°C (40°F)	...	4.5°C (40°F)	...	4.5°C (40°F)

GENERAL NOTE: For computer based temperature and pressure data input, consider the West Branch temperature and pressure to be in effect from nodes 30 through 330 as listed in Table S303.3. Likewise, consider the East Branch temperature and pressure to be in effect from nodes 40 through 340 as listed in Table S303.3; see para. S303.3.

NOTES:

- (1) East Branch is at ambient conditions.
- (2) West Branch is at ambient conditions.

Note that flanges and valve components are not explicitly included in the model listing in Table S303.3. For simplicity, an entire branch (from tee centerline to tee centerline) is considered to be at the operating conditions listed in Table S303.1, e.g., the East meter run branch from nodes 40 through 340 operates at 1 724 kPa (250 psi) and 121°C (250°F) for Operating Case 2. The computer-based options are the same as those for the Example 1 model, except that pressure stiffening is not included in the analyses for this example; see para. S301.3.

### S303.4 Pressure Effects

Neither pressure stiffening nor Bourdon effects are included in the analyses.

### S303.5 Operating Load Case(s)

The operating load case is used to determine the operating position of the piping and reaction loads for any attached equipment, anchors, supports, guides, or stops. The owner has mandated in the design specification that the meter runs and piping be more than adequately supported. Therefore, the operating load case, while necessary to set the limits of the strain ranges, does not contribute to the emphasis of this example, and its output is not included.

### S303.6 Sustained Load Case

Sustained stresses due to the axial force, internal pressure, and intensified bending moment in this example are combined to determine the sustained stress,  $S_L$ . For reasons similar to those expressed for the operating load case, the sustained load case output is not included.

### S303.7 Displacement Stress Range Load Cases

The displacement stress range,  $S_E$ , is computed in accordance with para. 319.2.3(b), in which the strains

evaluated for the original (as-installed) condition (for this particular example) are algebraically subtracted from the strains evaluated for the Operating Case 1 as listed in Table S303.1. Similarly, the displacement stress range,  $S_E$ , is computed from the algebraic strain difference evaluated from the as-installed condition to the Operating Case 2 as listed in Table S303.1. The individual displacement stress range,  $S_E$ , along with the internal reaction loads, is evaluated for each piping component in accordance with eq. (17) and is listed in Tables S303.7.1 and S303.7.2 for Operating Cases 1 and 2, respectively.

The algebraic strain difference between the two resultant case evaluations discussed above produces the largest overall stress differential for the piping system in accordance with paras. 319.2.1(d), 319.2.3(b), and 319.3.1(b), i.e.,  $S_E$ , the "stress range corresponding to the total displacement strains." The resulting load combination and  $S_E$  for each piping component are listed in Table S303.7.3.

### S303.8 Code Compliance: Satisfying the Intent of the Code

The piping system is compliant with the sustained load requirements of the Code. The displacement stress range from the original (as-installed) condition to each of the operating cases indicates the piping system is in compliance with the intent of the Code even when limited to the eq. (1a) allowable,  $S_A$ . But, the "stress range corresponding to the total displacement strains," which considers the algebraic strain difference between the two operating cases, indicates that the piping system is not protected against fatigue for the cycles under analysis even when considering the eq. (1b) allowable,  $S_A$ . Therefore, redesign of the piping system is required.

The redesign should consider the additional impact of average axial displacement stresses in accordance

**Table S303.3 Generic Pipe Stress Model Input:  
Component Connectivity, Type, and Lengths**

From	To	$D_x$ , m (ft)	$D_z$ , m (ft)	Component Type
10	20	1.52 (5)	...	10 anchor (DN 600 Header) 20 welding tee
20	30	...	1.52 (5)	30 welding tee
30	35	...	0.76 (2.5)	35 simulated end cap
20	40	...	-1.52 (-5)	40 welding tee
40	45	...	-0.76 (-2.5)	45 end cap
40	110	1.52 (5)	...	(East DN 500 Branch) 110 Y support
110	120	1.52 (5)	...	120 pipe segment
120	130	1.52 (5)	...	8 890 N (2,000 lb) meter
130	140	1.52 (5)	...	140 pipe segment
140	340	1.52 (5)	...	340 welding tee
30	210	1.52 (5)	...	(West DN 500 Branch) 210 Y support
210	220	1.52 (5)	...	220 pipe segment
220	230	1.52 (5)	...	8 890 N (2,000 lb) meter
230	240	1.52 (5)	...	240 pipe segment
240	330	1.52 (5)	...	330 welding tee
310	320	-1.52 (-5)	...	(DN 600 Header) 310 anchor [free in the X (axial) direction] 320 welding tee
320	330	...	1.52 (5)	330 welding tee
330	335	...	0.76 (2.5)	335 end cap
320	340	...	-1.52 (-5)	340 welding tee
340	345	...	-0.76 (-2.5)	345 end cap

GENERAL NOTE: This piping system is planar, i.e.,  $D_y = 0$  m (0 ft) for each piping component.

with the recommendations in para. 319.2.3(c). If the piping system is redesigned such that it is compliant with the intent of the code, then the piping system would require no further attention unless the sustained, hydrotest, or operating reaction loads at either anchor data point 10 or 310, or meter runs 130 or 230, exceeded

the allowable loads for the attached equipment, nozzles, or support structure. The meter loads, nozzle loads, and support structure analyses are beyond the scope of this example. Although the occasional load cases are important to the design and analysis of a piping system, they are not discussed in this example.

**Table S303.7.1 Case 1: Displacement Stress Range**  
**[Eq. (1a) Allowable  $S_A = 248.2$  MPa (36 ksi): Passes]**

Node	Global Axis Forces and Moments		Eq. (17) $S_E$ , kPa (psi) [Note (2)]
	$F_x$ , N (lb) (Signed) [Note (1)]	$M_y$ , N-m (ft-lb) (Signed) [Note (1)]	
10 anchor	0	147 470 (108,755)	55 610 (8,065)
20 tee	0	-147 470 (-108,755)	189 945 (27,550)
30 tee	-78 485 (-17,645)	45 900 (33,850)	84 360 (12,235)
40 tee	78 485 (17,645)	45 900 (33,850)	84 360 (12,235)
110 Y	78 485 (17,645)	45 900 (33,850)	25 155 (3,650)
120	78 485 (17,645)	45 900 (33,850)	25 155 (3,650)
130 meter	78 485 (17,645)	45 900 (33,850)	25 155 (3,650)
140 Y	78 485 (17,645)	45 900 (33,850)	25 155 (3,650)
340 tee	78 485 (17,645)	45 900 (33,850)	84 360 (12,235)
210 Y	-78 485 (-17,645)	45 900 (33,850)	25 155 (3,650)
220	-78 485 (-17,645)	45 900 (33,850)	25 155 (3,650)
230 meter	-78 485 (-17,645)	45 900 (33,850)	25 155 (3,650)
240 Y	-78 485 (-17,645)	45 900 (33,850)	25 155 (3,650)
330 tee	-78 485 (-17,645)	45 900 (33,850)	84 360 (12,235)
310 anchor	0	-147 470 (-108,755)	55 610 (8,065)
320 tee	0	147 470 (108,755)	189 945 (27,550)

## NOTES:

- (1) Loads are averaged from commercial programs and are directly affected by the stiffness chosen for valves, flanges, and other relatively stiff components.
- (2) Stress may differ by slightly more than units' conversion tolerance.

**Table S303.7.2 Case 2: Displacement Stress Range**  
**[Eq. (1a) Allowable  $S_A = 248.2$  MPa (36 ksi): Passes]**

Node	Global Axis Forces and Moments		Eq. (17) $S_E$ , kPa (psi) [Note (2)]
	$F_x$ , N (lb) (Signed) [Note (1)]	$M_y$ , N-m (ft-lb) (Signed) [Note (1)]	
10 anchor	0	-147 470 (-108,755)	55 610 (8,065)
20 tee	0	147 470 (108,755)	189 945 (27,550)
30 tee	78 485 (17,645)	-45 900 (-33,850)	84 360 (12,235)
40 tee	-78 485 (-17,645)	-45 900 (-33,850)	84 360 (12,235)
110 Y	-78 485 (-17,645)	-45 900 (-33,850)	25 155 (3,650)
120	-78 485 (-17,645)	-45 900 (-33,850)	25 155 (3,650)
130 meter	-78 485 (-17,645)	-45 900 (-33,850)	25 155 (3,650)
140 Y	-78 485 (-17,645)	-45 900 (-33,850)	25 155 (3,650)
340 tee	-78 485 (-17,645)	-45 900 (-33,850)	84 360 (12,235)
210 Y	78 485 (17,645)	-45 900 (-33,850)	25 155 (3,650)
220	78 485 (17,645)	-45 900 (-33,850)	25 155 (3,650)
230 meter	78 485 (17,645)	-45 900 (-33,850)	25 155 (3,650)
240 Y	78 485 (17,645)	-45 900 (-33,850)	25 155 (3,650)
330 tee	78 485 (17,645)	-45 900 (-33,850)	84 360 (12,235)
310 anchor	0	147 470 (108,755)	55 610 (8,065)
320 tee	0	-147 470 (-108,755)	189 945 (27,550)

## NOTES:

- (1) Loads are averaged from commercial programs and are directly affected by the stiffness chosen for valves, flanges, and other relatively stiff components.
- (2) Stress may differ by slightly more than units' conversion tolerance.

**Table S303.7.3 Load Combination Considering Cases 1 and 2,  
Total Strain Based: Displacement Stress Range  
[Eq. (1b) Allowable  $S_A = 379.8$  MPa (55.1 ksi): Fails]**

Node	Global Axis Forces and Moments [Note (1)]		Eq. (17) $S_E$ , kPa (psi) [Notes (2), (3)]
	$F_x$ , N (lb) (Signed)	$M_y$ , N-m (ft-lb) (Signed)	
10 anchor	0	294 940 (217,510)	111 220 (16,130)
20 tee	0	-294 940 (-217,510)	379 890 (55,100)
30 tee	-156 970 (-35,290)	91 800 (67,700)	168 720 (24,470)
40 tee	156 970 (35,290)	91 800 (67,700)	168 720 (24,470)
110 Y	156 970 (35,290)	91 800 (67,700)	50 310 (7,300)
120	156 970 (35,290)	91 800 (67,700)	50 310 (7,300)
130 meter	156 970 (35,290)	91 800 (67,700)	50 310 (7,300)
140 Y	156 970 (35,290)	91 800 (67,700)	50 310 (7,300)
340 tee	156 970 (35,290)	91 800 (67,700)	168 720 (24,470)
210 Y	-156 970 (-35,290)	91 800 (67,700)	50 310 (7,300)
220	-156 970 (-35,290)	91 800 (67,700)	50 310 (7,300)
230 meter	-156 970 (-35,290)	91 800 (67,700)	50 310 (7,300)
240 Y	-156 970 (-35,290)	91 800 (67,700)	50 310 (7,300)
330 tee	-156 970 (-35,290)	91 800 (67,700)	168 720 (24,470)
310 anchor	0	-294 940 (-217,510)	111 220 (16,130)
320 tee	0	294 940 (217,510)	379 890 (55,100)

GENERAL NOTE: The sustained stress used in determining the eq. (1b) allowable for nodes 20 and 320 is  $S_t = 28\,380$  kPa (4,115 psi).

NOTES:

- (1) Loads are averaged from commercial programs and are directly affected by the stiffness chosen for valves, flanges, and other relatively stiff components.
- (2) Stress may differ by slightly more than units' conversion tolerance.
- (3) The additional impact of average axial displacement stresses in accordance with the recommendations in para. 319.2.3(c) has not been included in determining the displacement stress range.

## APPENDIX V

# ALLOWABLE VARIATIONS IN ELEVATED TEMPERATURE SERVICE

### V300 APPLICATION

(a) This Appendix covers application of the Linear Life Fraction Rule, which provides a method for evaluating variations at elevated temperatures above design conditions where material creep properties [see para. V302(c)] control the allowable stress at the temperature of the variation. This Appendix is a Code requirement only when specified by the owner in accordance with the last sentence of para. 302.2.4(f)(1).

(b) Life Fraction analysis addresses only the gross strength of piping components; it does not consider local stress effects. It is the designer's responsibility to provide construction details suitable for elevated temperature design.

#### V300.1 Definitions

*operating condition*: any condition of pressure and temperature under which the design conditions are not exceeded.

*excursion*: any condition under which pressure or temperature, or both, exceed the design conditions.

*service condition*: any operating condition or excursion.

*duration*

(a) the extent of any service condition, hours

(b) the cumulative extent of all repetitions of a given service condition during service life, hours

*service life*: the life assigned to a piping system for design purposes, hours.

### V301 DESIGN BASIS

Life Fraction analysis shall be performed in accordance with one of the following design basis options selected by the owner.

(a) All service conditions in the creep range and their durations are included.

(b) To simplify the analysis, less severe service conditions need not be individually evaluated if their durations are included with the duration of a more severe service condition.

### V302 CRITERIA

(a) All of the criteria in para. 302.2.4 shall be met.

(b) Only carbon steels, low and intermediate alloy steels, austenitic stainless steels, and high nickel alloys are included.

(c) Service conditions are considered only in the calculation of the usage factors in accordance with para. V303 when the allowable stress at the temperature of those conditions in Table A-1 is based on the creep criteria stated in para. 302.3.2.

(d) Creep-fatigue interaction effects shall be considered when the number of cycles exceeds 100.

### V303 PROCEDURE

The cumulative effect of all service conditions during the service life of the piping is determined by the Linear Life Fraction Rule in accordance with the following procedure.

#### V303.1 Calculations for Each Service Condition *i*

The following steps shall be repeated for each service condition considered.

##### V303.1.1 Equivalent Stress for Pressure

(a) Using eq. (V1), compute a pressure-based equivalent stress,  $S_{pi}$

$$S_{pi} = S_d P_i / P_{\max} \quad (V1)$$

where

$P_i$  = gage pressure, kPa (psig), during service condition *i*

$P_{\max}$  = maximum allowable gage pressure, kPa (psig), for continuous operation of pipe or component at design temperature, considering allowances, *c*, and mill tolerance, but without considering weld joint strength reduction factor, *W*; weld joint quality factors,  $E_j$ ; or casting quality factor,  $E_c$

$S_d$  = allowable stress, MPa (ksi), at design temperature, °C (°F)

$S_{pi}$  = pressure-based equivalent stress, MPa (ksi)

(b) Compute the maximum longitudinal stress,  $S_L$ , during service condition *i*, in accordance with para. 302.3.5(c).

(c) The equivalent stress,  $S_i$ , for use in para. V303.1.2 is the greater of the values calculated in (a) and (b) above, divided by their respective weld joint strength reduction factor, *W*, in accordance with para. 302.3.5(e).

**V303.1.2 Effective Temperature.** From Table A-1, find the temperature corresponding to a basic allowable

stress equal to the equivalent stress,  $S_i$ , using linear interpolation if necessary. This temperature,  $T_E$ , is the effective temperature for service condition  $i$ .

**V303.1.3 Larson-Miller Parameter.** Compute the LMP for the basic design life for service condition  $i$ , using eq. (V2)

$$\left. \begin{aligned} \text{SI units: } LMP &= (C + 5)(T_E + 273) \\ \text{U.S. Customary units: } LMP &= (C + 5)(T_E + 460) \end{aligned} \right\} \text{(V2)}$$

where

$C = 20$  (carbon, low, and intermediate alloy steels)  
 $= 15$  (austenitic stainless steel and high nickel alloys)

$T_E =$  effective temperature, °C (°F); see para. V303.1.2

**V303.1.4 Rupture Life.** Compute the rupture life,  $t_{ri}$ , h, using eq. (V3)

$$t_{ri} = 10^a \quad \text{(V3)}$$

where

$$\text{SI units: } a = \frac{LMP}{T_i + 273} - C$$

$$\text{U.S. Customary units: } a = \frac{LMP}{T_i + 460} - C$$

and

$T_i =$  temperature, °C (°F), of the component for the coincident operating pressure-temperature condition  $i$  under consideration

$t_{ri} =$  allowable rupture life, h, associated with a given service condition  $i$  and stress,  $S_i$

LMP and  $C$  are as defined in para. V303.1.3.

**V303.2 Determine Creep-Rupture Usage Factor**

The usage factor,  $u$ , is the summation of individual usage factors,  $t_i/t_{ri}$ , for all service conditions considered in para. V303.1. See eq. (V4).

$$u = \sum(t_i/t_{ri}) \quad \text{(V4)}$$

where

$i =$  as a subscript, 1 for the prevalent operating condition;  $i = 2, 3$ , etc., for each of the other service conditions considered

$t_i =$  total duration, h, associated with any service condition,  $i$ , at pressure,  $P_i$ , and temperature,  $T_i$

$t_{ri} =$  as defined in para. V303.1.4

**V303.3 Evaluation**

The calculated value of  $u$  indicates the nominal amount of creep-rupture life expended during the service life of the piping system. If  $u \leq 1.0$ , the usage factor

is acceptable including excursions. If  $u > 1.0$ , the designer shall either increase the design conditions (selecting piping system components of a higher allowable working pressure if necessary) or reduce the number and/or severity of excursions until the usage factor is acceptable.

**V304 EXAMPLE**

(12)

The following example illustrates the application of the procedure in para. V303:

- Pipe material: A335, Gr. P22
- Pipe size: NPS 4 (4.50 in. O.D.)
- Pipe schedule: S40 (0.237 in.)
- Corrosion allowance: 0.0625 in.
- Design pressure: 250 psig
- Design temperature: 1,050°F
- Total service life: 200,000 hr

Three service conditions are considered:

- (a) Normal operation is 178,000 hr at 250 psig, 1,025°F.
- (b) Expect up to 20,000 hr at design conditions of 250 psig, 1,050°F.
- (c) Total of 2,000 hr at excursion condition of 330 psig, 1,050°F. (This is a 32% variation above the design pressure and it complies with the criteria of para. 302.2.4.)

Compute pressure-based equivalent stress,  $S_{pi}$ , from eq. (V1).

From Table A-1,  $S_d = 5.1$  ksi at 1,050°F.

$$\begin{aligned} S_{p1} &= 5.1 (250/250) = 5.10 \text{ ksi} \\ S_{p2} &= 5.1 (250/250) = 5.10 \text{ ksi} \\ S_{p3} &= 5.1 (330/250) = 6.73 \text{ ksi} \end{aligned}$$

NOTE: In eq. (V1), design pressure is used in this example for  $P_{max}$ , as this will always be conservative. Alternatively, the actual  $P_{max}$  of the piping system can be used.

The longitudinal stress,  $S_L$ , for each condition  $i$ , calculated in accordance with para. 302.3.5(c), is

$$\begin{aligned} S_{L1} &= 3.0 \text{ ksi} \\ S_{L2} &= 3.0 \text{ ksi} \\ S_{L3} &= 3.7 \text{ ksi} \end{aligned}$$

For seamless pipe,  $W$  is 1.0 for  $S_{p1}$ ,  $S_{p2}$ , and  $S_{p3}$ , and for girth weld,  $W$  is 0.80, 0.77, and 0.77 for  $S_{L1}$ ,  $S_{L2}$ , and  $S_{L3}$ , respectively. The equivalent stress,  $S_i$ , is the greater of  $S_{pi}/W$  and  $S_{Li}/W$ . Therefore,  $S_i$  is as follows:

$$\begin{aligned} S_1 &= \text{MAX}(S_{p1}/W, S_{L1}/W) \\ &= \text{MAX}(5.10/1.0, 3.0/0.80) \\ &= \text{MAX}(5.10, 3.75) = 5.10 \text{ ksi} \end{aligned}$$

$$\begin{aligned} S_2 &= \text{MAX}(S_{p2}/W, S_{L2}/W) \\ &= \text{MAX}(5.10/1.0, 3.0/0.77) \\ &= \text{MAX}(5.10, 3.90) = 5.10 \text{ ksi} \end{aligned}$$

$$\begin{aligned} S_3 &= \text{MAX}(S_{p3}/W, S_{L3}/W) \\ &= \text{MAX}(6.73/1.0, 3.7/0.77) \\ &= \text{MAX}(6.73, 4.81) = 6.73 \text{ ksi} \end{aligned}$$

From Table A-1, find the temperature,  $T_E$ , corresponding to each  $S_i$ :

$$\begin{aligned} T_{E1} &= 1,050^\circ\text{F} \\ T_{E2} &= 1,050^\circ\text{F} \\ T_{E3} &= 1,020^\circ\text{F} \end{aligned}$$

Compute the  $LMP$  for each condition  $i$  using eq. (V2):

$$\begin{aligned} LMP &= (20 + 5)(1,050 + 460) = 37,750 \\ LMP &= (20 + 5)(1,050 + 460) = 37,750 \\ LMP &= (20 + 5)(1,020 + 460) = 37,000 \end{aligned}$$

Compute the rupture life,  $t_{ri}$ , using eq. (V3):

$$\begin{aligned} a &= 37,750/(1,025 + 460) - 20 = 5.42 \\ t_{r1} &= 10^{5.42} = 263,000 \text{ hr} \end{aligned}$$

$$\begin{aligned} a &= 37,750/(1,050 + 460) - 20 = 5.00 \\ t_{r2} &= 10^{5.00} = 100,000 \text{ hr} \end{aligned}$$

$$\begin{aligned} a &= 37,000/(1,050 + 460) - 20 = 4.50 \\ t_{r3} &= 10^{4.50} = 31,600 \text{ hr} \end{aligned}$$

Compute the usage factor,  $u$ , the summation of  $t_i/t_{ri}$ , for all service conditions:

$$\begin{aligned} t_1/t_{r1} &= 178,000/263,000 = 0.68 \\ t_2/t_{r2} &= 20,000/100,000 = 0.20 \\ t_3/t_{r3} &= 2,000/31,600 = 0.06 \end{aligned}$$

$$u = 0.68 + 0.20 + 0.06 = 0.94 < 1.0$$

Therefore, the excursion is acceptable.



## APPENDIX X

# METALLIC BELLOWS EXPANSION JOINTS

(Design requirements of Appendix X are dependent on and compatible with EJMA standards.)

### X300 GENERAL

The intent of this Appendix is to set forth design, manufacturing, and installation requirements and considerations for bellows type expansion joints, supplemented by the EJMA standards. It is intended that applicable provisions and requirements of Chapters I through VI of this Code shall be met, except as modified herein. This Appendix does not specify design details. The detailed design of all elements of the expansion joint is the responsibility of the manufacturer. This Appendix is not applicable to expansion joints in piping designed in accordance with Chapter IX.

### X301 PIPING DESIGNER RESPONSIBILITIES

The piping designer shall specify the design conditions and requirements necessary for the detailed design and manufacture of the expansion joint in accordance with para. X301.1 and the piping layout, anchors, restraints, guides, and supports required by para. X301.2.

#### X301.1 Expansion Joint Design Conditions

The piping designer shall specify all necessary design conditions including the following.

**X301.1.1 Static Design Conditions.** The design conditions shall include any possible variations of pressure or temperature, or both, above operating levels. Use of a design metal temperature other than the fluid temperature for any component of the expansion joint shall be verified by computation, using accepted heat transfer procedures, or by test or measurement on similarly designed equipment in service under equivalent operating conditions.

**X301.1.2 Cyclic Design Conditions.** These conditions shall include coincident pressure, temperature, imposed end displacements and thermal expansion of the expansion joint itself, for cycles during operation. Cycles due to transient conditions (startup, shutdown, and abnormal operation) shall be stated separately. (See EJMA standards, C-4.1.5.2 on cumulative fatigue analysis, for guidance in defining cycles.)

**X301.1.3 Other Loads.** Other loads, including dynamic effects (such as wind, thermal shock, vibration, seismic forces, and hydraulic surge); and static loads,

such as weight (insulation, snow, ice, etc.), shall be stated.

**X301.1.4 Fluid Properties.** Properties of the flowing medium pertinent to design requirements, including the owner-designated fluid service category, flow velocity and direction, for internal liners, etc., shall be specified.

**X301.1.5 Other Design Conditions.** Other conditions that may affect the design of the expansion joint, such as use of shrouds, external or internal insulation, limit stops, other constraints, and connections in the body (e.g., drains or bleeds) shall be stated.

#### X301.2 Piping Design Requirements

**X301.2.1 General.** Piping layout, anchorage, restraints, guiding, and support shall be designed to avoid imposing motions and forces on the expansion joint other than those for which it is intended. For example, a bellows expansion joint is not normally designed to absorb torsion. Pipe guides, restraints, and anchorage shall conform to the EJMA standards. Anchors and guides shall be provided to withstand expansion joint thrust forces when not self-restrained by tie rods, hinge bars, pins, etc. (See para. X302.1.) Column buckling of the piping (e.g., due to internal fluid pressure) shall also be considered.

##### X301.2.2 Design of Anchors

(a) *Main Anchors.* Main anchors shall be designed to withstand the forces and moments listed in X301.2.2(b), and pressure thrust, defined as the product of the effective thrust area of the bellows and the maximum pressure to which the joint will be subjected in operation. Consideration shall be given to the increase of pressure thrust loads on anchors due to unrestrained expansion joints during leak testing if supplemental restraints are not used during the test (see para. 345.3.3). For convoluted, omega, or disk type joints, the effective thrust area recommended by the manufacturer shall be used. If this information is unavailable, the area shall be based on the mean diameter of the bellows.

(b) *Intermediate Anchors.* Anchors shall be capable of withstanding the following forces and moments:

(1) those required to compress, extend, offset, or rotate the joint by an amount equal to the calculated linear or angular displacement

(2) static friction of the pipe in moving on its supports between extreme extended and contracted positions (with calculated movement based on the length of pipe between anchor and expansion joint)

(3) operating and transient dynamic forces caused by the flowing medium

(4) other piping forces and moments

### **X302 EXPANSION JOINT MANUFACTURER RESPONSIBILITIES**

The expansion joint manufacturer shall provide the detailed design and fabrication of all elements of the expansion joint in accordance with the requirements of the Code and the engineering design. This includes

(a) all piping within the end connections of the assembly supplied by the manufacturer, including pipe, flanges, fittings, connections, bellows, and supports or restraints of piping

(b) specifying the need for supports or restraints external to the assembly as required, and of the data for their design

(c) determining design conditions for all components supplied with the expansion joint which are not in contact with the flowing medium

#### **X302.1 Expansion Joint Design**

The design of bellows type expansion joints shall be based on recognized and accepted analysis methods and the design conditions stated in para. X301.1. Convolute type bellows shall be designed in accordance with the EJMA standards, except as otherwise required or permitted herein. Design of other types of bellows shall be qualified as required by para. 304.7.2.

**X302.1.1 Factors of Safety.** The factor of safety on squirm pressure shall be not less than 2.25. The factor of safety on ultimate rupture pressure shall be not less than 3.0.

**X302.1.2 Design Stress Limits.** For convolute type bellows, stresses shall be calculated either by the formulas shown in the EJMA standards or by other methods acceptable to the owner.

(a) The circumferential and meridional membrane stress in the bellows, the tangent end, and reinforcing ring members (including tensile stress in fasteners) due to design pressure shall not exceed the allowable stress values given in Table A-1.

(b) Meridional membrane and bending stresses at design pressure shall be of a magnitude which will not result in permanent deformation of the convolutions at test pressure. Correlation with previous test data may be used to satisfy this requirement.

For an unreinforced bellows, annealed after forming, the meridional membrane plus bending stress in the bellows shall not exceed 1.5 times the allowable stress given in Table A-1.

(c) Stresses shall be calculated in restraints (tie rods, hinge bars, pins, etc.) in self-restrained expansion joints and in the attachments of the restraining devices to the pipe or flanges. Direct tension, compression, bearing, and shear stresses shall not exceed the allowable stress limits stated in para. 302.3.1. The summation of general bending stress plus tension or compression stress shall not exceed the stress values listed in Appendix A, Tables A-1 and A-2, times the shape factor of the cross section. The shape factor is the ratio of the plastic moment to the yield moment (e.g., 1.5 for a rectangular section). For attachment of restraints to piping, see para. 321.3. Local stresses may be evaluated using the criteria of ASME Section VIII, Division 2, Part 5. Compression members shall be evaluated for buckling in accordance with the AISC Manual of Steel Construction, Allowable Stress Design. For self-restrained expansion joints, the restraints shall be designed to withstand the full design pressure thrust. Additional considerations may be required where time-dependent stresses prevail.

(d) Pressure design of pipe sections, fittings, and flanges shall meet the requirements of paras. 303 and 304.

(e) When the operating metal temperature of the bellows element is in the creep range,<sup>1</sup> the design shall be given special consideration and, in addition to meeting the requirements of this Appendix, shall be qualified as required by para. 304.7.2.

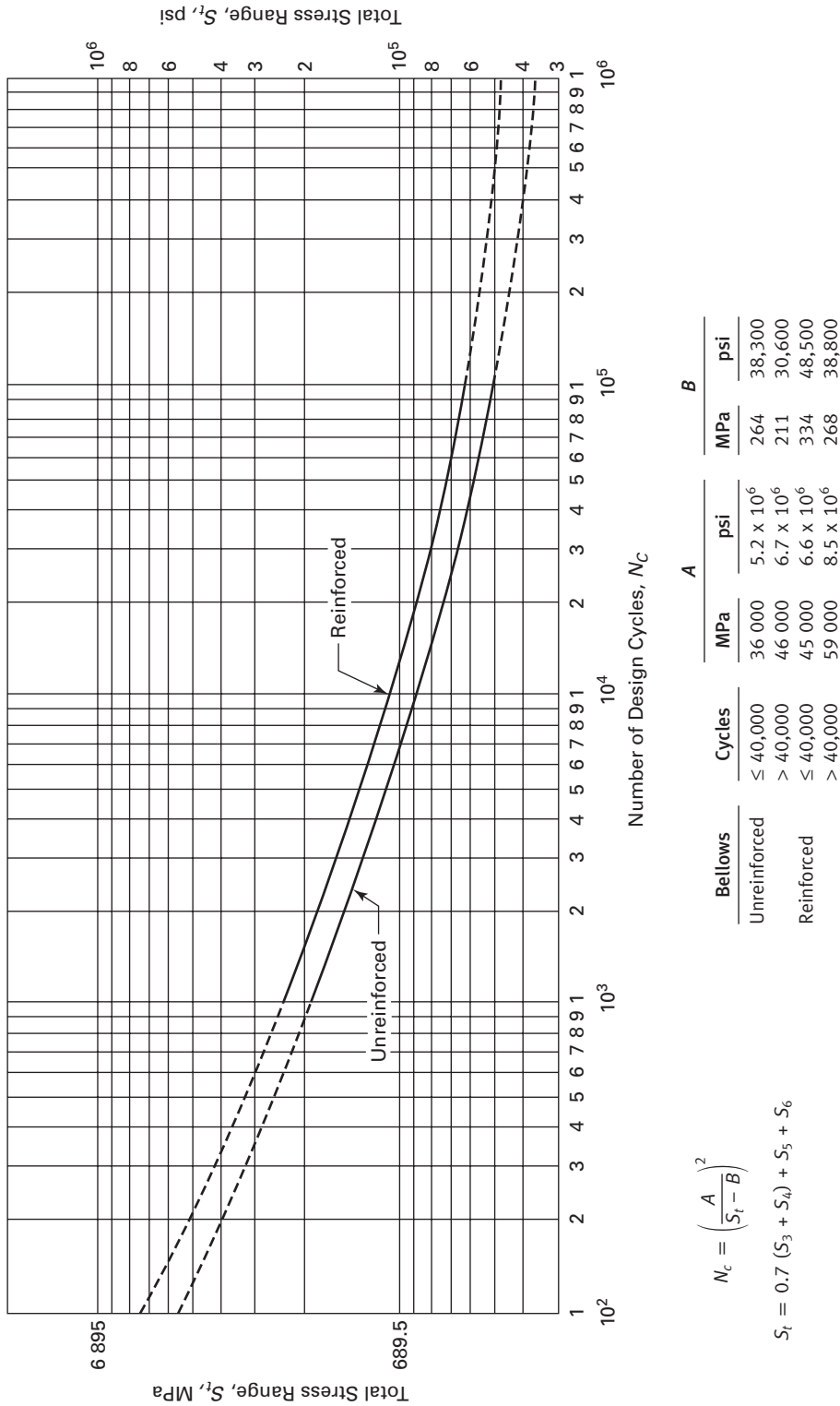
#### **X302.1.3 Fatigue Analysis**

(a) A fatigue analysis<sup>1</sup> which takes into account all design cyclic conditions shall be performed and the calculated design cycle life shall be reported. The method of analysis for convolute U-shaped bellows shall be in accordance with EJMA standards.

(b) Material design fatigue curves for as-formed austenitic stainless steel bellows are provided in Fig. X302.1.3. The curves are for use only with the EJMA stress equations. Fatigue testing by individual manufacturers, in accordance with (d) below, is required to qualify use of the pertinent fatigue curve for bellows manufactured by them. Fatigue testing in accordance with (e) below is required to develop fatigue curves for bellows of materials other than as-formed stainless steel. Fatigue test and evaluation procedures are described in (c) below. The allowable stress range for a U-shaped bellows shall be determined by multiplying the total stress range from Fig. X302.1.3 by the product of  $X_f$  times  $X_m$ , factors determined in accordance with (c), (d), and (e) below.

<sup>1</sup> Consideration shall be given to the detrimental effects of creep-fatigue interaction when the operating metal temperature of the bellows element will be in the creep range. Creep-fatigue interaction may become significant at temperatures above 425°C (800°F) for austenitic stainless steels.

Fig. X302.1.3 Design Fatigue Curves for Austenitic Stainless Steel Bellows



$$N_c = \left( \frac{A}{S_t - B} \right)^2$$

$$S_t = 0.7 (S_3 + S_4) + S_5 + S_6$$

GENERAL NOTES:

- (a) These curves are intended to evaluate the design fatigue life up to 427°C (800°F) for austenitic stainless steel bellows that have not been heat treated. At higher temperatures, creep effects may become significant and shall be considered. The bellows deflection stress calculations shall be based on the modulus of elasticity at 21°C (70°F).
- (b) The equations are of the form provided in "Design of Pressure Vessels for Low Cycle Fatigue" by B. F. Langer, ASME paper 61-WA-18. The constants were modified to reflect actual bellows test data reduced to a design curve in accordance with the rules of the BPV Code, Section VIII, Division 2, Annex 5.F. The calculations of  $S_5$  and  $S_6$  shall be based on a modulus of elasticity equal to  $1.95 \times 10^5$  MPa ( $28.3 \times 10^6$  psi).
- (c) For nomenclature, refer to EJMA standards.
- (d) Factors have been included in these design fatigue curves to account for the normal effects of size, surface finish, and scatter of the data. Therefore, the design cycle life should realistically represent the estimated number of operating cycles. An overly conservative estimate of cycles can result in an increased number of convolutions and a joint more prone to instability.

(c) Fatigue testing to qualify either a fabrication process or a new material shall be performed in accordance with the following procedure. Test bellows shall have an inside diameter not less than 89 mm (3½ in.) and shall have at least three convolutions. The bellows fatigue test data shall be compared with a reference fatigue curve to develop a fabrication factor, eq. (X1), or material factor, eq. (X2):

$$X_f = R_{\min}^f \quad (X1)$$

$$X_m = K_s R_{\min}^m / X_f \quad (X2)$$

where

$K_s$  = factor (not greater than 1.0) for statistical variation in test results =  $1.25 / (1.470 - 0.044N_t)$

$N_{ct}$  = number of cycles to failure in bellows fatigue test; failure is defined as development of a crack through thickness

$N_t$  = number of bellows fatigue tests performed to develop the material factor  $X_m$

$R_{\min}^f$  and  $R_{\min}^m$  = minimum ratio of test stress range to reference stress range of all bellows tested. (Superscripts  $f$  and  $m$  refer to qualification of a fabrication process or a new material, respectively.) This ratio shall be determined for each fatigue test by dividing the test stress range (calculated in accordance with the EJMA stress equations) by the reference stress range. The reference stress range is taken from the lower-bound fatigue curve for the bellows fatigue test data used to develop the design fatigue curves, and for unreinforced bellows is:

(SI Units)

$$(58 \times 10^3 / \sqrt{N_{ct}}) + 264 \text{ (MPa)}$$

(U.S. Customary Units)

$$(8.4 \times 10^6 / \sqrt{N_{ct}}) + 38,300 \text{ (psi)}$$

and for reinforced bellows is:

(SI Units)

$$(73 \times 10^3 / \sqrt{N_{ct}}) + 334 \text{ (MPa)}$$

(U.S. Customary Units)

$$(10.6 \times 10^6 / \sqrt{N_{ct}}) + 48,500 \text{ (psi)}$$

$X_f$  = factor (not greater than 1.0) representing effect of the manufacturing process on bellows fatigue strength

$X_m$  = factor representing effect of material and its heat treatment on bellows fatigue strength.  $X_m$  for as-formed austenitic stainless steel bellows is 1.0. It shall not exceed 1.0 in other cases unless five or more fatigue tests have been performed on bellows fabricated from the same material.

(d) The manufacturer shall qualify the manufacturing process by correlation fatigue testing. A minimum of five tests (each, for reinforced and unreinforced bellows) of austenitic stainless steel bellows in the as-formed condition, manufactured by the organization making the tests, shall be performed. Testing shall consider the effects of all variables necessary to validate the correlation between the fatigue curves, design equations, and finished product, including, as applicable: bellows diameter, thickness, convolution profile, manufacturing process, and single versus multi-ply construction. The factor  $X_f$  shall be determined from the test data in accordance with (c) above.

(e) The allowable stress range,  $S_t$ , for U-shaped bellows, fabricated from material other than as-formed austenitic stainless steel, shall be developed from bellows fatigue test data. A minimum of two bellows fatigue tests, differing in stress range by a factor of at least 2.0, are required to develop a material factor,  $X_m$ , in accordance with (c) above. [The factor  $X_f$  in eq. (X2) shall be for the bellows tested.] Materials used in the as-formed condition and those heat treated after forming are considered separate materials.

#### X302.1.4 Limitations

(a) Expansion joint bellows shall not be constructed from lap welded pipe or lap welded tubing.

(b) All pressure containing or pressure thrust restraining materials shall conform to the requirements of Chapter III and Appendix A.

### X302.2 Expansion Joint Manufacture

Expansion joints shall be produced in accordance with the manufacturer's specification, which shall include at least the following requirements.

#### X302.2.1 Fabrication

(a) All welds shall be made by qualified welders or welding operators using welding procedures qualified as required by para. 328.2.

(b) The longitudinal seam weld in the bellows element shall be a full penetration butt weld. Prior to forming, the thickness of the weld shall be not less than 1.00

nor more than 1.10 times the thickness of the bellows material.

(c) A full fillet weld may be used as a primary weld to attach a bellows element to an adjoining piping component.

(d) When bellows are attached directly to an adjoining piping component by welding and the piping component is P-Nos. 4, 5A, 5B, or 5C base metal, the attachment weld shall be heat treated in accordance with para. 331.1, except that the exemptions from heat treatment given in para. 331 shall not be permitted. The holding time shall be based on the thickness of the piping component at the bellows attachment weld location. Examination of the attachment welds shall be performed after heat treatment. This heat treatment may affect bellows pressure capacity, mechanical properties, and corrosion resistance. If the required heat treatment is determined to be detrimental to the bellows' performance, the bellows shall not be attached directly to the piping component. In that case, the piping component side of the weld joint shall be buttered in accordance with ASME Section IX, para. QW-283 with appropriate filler metal, heat treated in accordance with Table 333.1.1, and then welded to the bellows.

**X302.2.2 Examination.** The following are minimum quality control requirements:

(a) Required examinations shall be in accordance with paras. 341 and 344.

(b) The longitudinal seam weld in the bellows tube shall be 100% examined prior to forming, either by radiography or, for material thickness  $\leq 2.4$  mm ( $\frac{3}{32}$  in.) welded in a single pass, by liquid penetrant examination of both inside and outside surfaces. For the purposes of this Appendix, either examination is acceptable for design with a factor  $E_j$  of 1.00 when used within the stated thickness limits.

(c) After forming, a liquid penetrant examination shall be conducted on all accessible surfaces of the weld, inside and outside. Welds attaching the bellows to the piping, etc., shall be 100% liquid penetrant examined.

(d) Acceptance criteria for radiography shall be in accordance with Table 341.3.2. Acceptance criteria for liquid penetrant examination shall be that cracks, undercutting, and incomplete penetration are not permitted.

### X302.2.3 Leak Test

(a) Each expansion joint shall receive a hydrostatic, pneumatic, or combination hydrostatic-pneumatic shop pressure test by the manufacturer in accordance with para. 345, except that the test pressure shall be the lesser

of that calculated by eq. (24) (para. 345.4.2) or eq. (X3), but not less than 1.5 times the design pressure.  $R_r$  in eq. (24) shall be based on the bellows material. When the bellows' design temperature is equal to or greater than  $T_{cr}$  as defined in Table 302.3.5, General Note (b),  $R_r$  in eq. (24) shall be replaced by  $S_{yT}/S_{yt}$ , where  $S_{yT}$  is the yield strength at the test temperature and  $S_{yt}$  is the yield strength at the bellows' design temperature. Yield strength values shall be determined in accordance with para. 302.3.2(f), with the bellows material treated as an unlisted material. The test pressure shall be maintained for not less than 10 min.

$$P_T = 1.5P_S E_t/E \quad (X3)$$

where

$E$  = modulus of elasticity at design temperature

$E_t$  = modulus of elasticity at test temperature

$P_S$  = limiting design pressure based on column instability (for convoluted U-shaped bellows, see C-4.2.1 and C-4.2.2 of the EJMA standards)

$P_T$  = minimum test gage pressure

(b) Expansion joints designed to resist the pressure thrust shall not be provided with any additional axial restraint during the leak test. Moment restraint simulating piping rigidity may be applied if necessary.

(c) In addition to examination for leaks and general structural integrity during the pressure test, the expansion joint shall be examined before, during, and after the test to confirm that no unacceptable squirm has occurred. Squirm shall be considered to have occurred if under the internal test pressure an initially symmetrical bellows deforms, resulting in lack of parallelism or uneven spacing of convolutions. Such deformation shall be considered unacceptable when the maximum ratio of bellows pitch under pressure to the pitch before applying pressure exceeds 1.15 for unreinforced bellows or 1.20 for reinforced bellows. Examination for leakage and deformation shall be performed at a pressure not less than two-thirds of the test pressure, after full test pressure has been applied.

(d) Examination for squirm shall be performed at full test pressure. For safety purposes, this may be accomplished by remote viewing (e.g., by optical magnification or video recording) of the changes in convolution spacing with respect to a temporarily mounted dimensional reference. Examination for leakage shall be performed at a pressure not less than two-thirds of test pressure, after application of full test pressure. For a pneumatic test, the precautions of para. 345.5.1 shall be observed.

## APPENDIX Z

### PREPARATION OF TECHNICAL INQUIRIES

#### Z300 INTRODUCTION

The ASME B31 Committee, Code for Pressure Piping, will consider written requests for interpretations and revisions of the Code rules, and develop new rules if dictated by technological development. The Committee's activities in this regard are limited strictly to interpretations of the rules or to the consideration of revisions to the present rules on the basis of new data or technology. As a matter of published policy, ASME does not approve, certify, rate, or endorse any item, construction, proprietary device, or activity, and, accordingly, inquiries requiring such consideration will be returned. Moreover, ASME does not act as a consultant on specific engineering problems or on the general application or understanding of the Code rules. If, based on the inquiry information submitted, it is the opinion of the Committee that the inquirer should seek professional assistance, the inquiry will be returned with the recommendation that such assistance be obtained.

An inquiry that does not provide the information needed for the Committee's full understanding will be returned.

The Introduction states that "it is the owner's responsibility to select the Code Section" for a piping installation. An inquiry requesting such a decision will be returned.

#### Z301 REQUIREMENTS

Inquiries shall be limited strictly to interpretations of the rules or to the consideration of revisions to the present rules on the basis of new data or technology. Inquiries shall meet the following requirements:

(a) *Scope.* Involve a single rule or closely related rules in the scope of the Code. An inquiry letter concerning unrelated subjects will be returned.

(b) *Background.* State the purpose of the inquiry, which may be either to obtain an interpretation of Code rules, or to propose consideration of a revision to the present rules. Provide concisely the information needed for the Committee's understanding of the inquiry, being sure to include reference to the applicable Code Section, Edition, Addenda, paragraphs, figures, and tables. If sketches are provided, they shall be limited to the scope of the inquiry.

(c) *Inquiry Structure*

(1) *Proposed Question(s).* The inquiry shall be stated in a condensed and precise question format, omitting superfluous background information, and, where appropriate, composed in such a way that "yes" or "no" (perhaps with provisos) would be an acceptable reply. The inquiry statement should be technically and editorially correct.

(2) *Proposed Reply(ies).* Provide a proposed reply stating what it is believed that the Code requires.

If in the inquirer's opinion, a revision to the Code is needed, recommended wording shall be provided in addition to information justifying the change.

#### Z302 SUBMITTAL

Inquiries should be submitted in typewritten form; however, legible handwritten inquiries will be considered. They shall include the name and mailing address of the inquirer, and be mailed to the following address:

Secretary  
ASME B31 Committee  
Three Park Avenue  
New York, NY 10016-5990  
E-mail: [customercare@asme.org](mailto:customercare@asme.org)

# INDEX<sup>1</sup>

- Abbreviations, nonmetals, A326.3 (*see also* symbols)
- Acceptance criteria, Tables 302.3.3C and D, 323.3.5, Table 323.3.5, 341.3.2, Table 341.3.2, 341.3.3, 341.4, 341.5, 344.6.2, A328.2.1, A341.3, Table A341.3.2, A341.4.1, K302.3.3, K323.3.5, Table K323.3.5, K341.3, Table K341.3.2
- Acidic materials, effects of, F323.4
- Adhesive joints (*see also* solvent cemented) definition (*see* bonded joint) in metallic piping, M318.2, K318.2 in nonmetallic piping, A328.5.6, MA311.2
- Air condensation, 301.11
- Alignment, 328.4.2, 328.4.3, Fig. 328.4.3, 335.1.1, 341.4.1, 341.4.3, M335.1.1, K328.4.3
- Allowable pressures, nonmetals, Tables B-4 and B-5
- Allowable stress definition, 300.2 values, Table K-1
- Allowable stress amplitude, K302.3.1, K304.8.3
- Allowable stress bases, 302.3, A302.3, M302.3, K302.3 metallic materials, 302.3.2, M302.3.2, K302.3.2 nonmetallic materials, A302.3.2
- Allowable stress range, 302.3.5, 319.1, 319.3.4, K302.3.5, K319.1
- Allowable stress values for bolting, Table A-2 clad metals, linings, 323.4.3, K323.4.3 metals, Tables A-1 and K-1 supports, 321.1.3 testing, 302.3.6, 345.2.1, A302.3.4, K302.3.6 thermoplastics, Table B-1
- Allowances corrosion, erosion, 302.4, 304.1.1, A304.1.1, M302.4, MA302.4, K302.4, K304.1.1 for pressure-temperature variations, 302.2.4, A302.2.4, M302.2.4, K302.2.4, App. V grooving, threading, 302.4, K302.4 mechanical strength, 302.4.1
- Alternating stress, K304.8.2, K304.8.3
- Alternative leak test, 345.1, 345.9, K345.1
- Aluminum and aluminum alloys allowable stresses, 319.3.4, Tables A-1 and A-2 effects, F323.4 flanges, specification, App. L fluid service requirements, 323.4.2 precautions, F323.4 quality factors, Tables A-1A and A-1B welding, 323.4.2, Notes for App. A
- Ambient effects, 301.4, F301.4
- Analysis fatigue (*see* fatigue analysis) flexibility, 319.4, 321.1.2, A319.4, M319.4, K319 product, K323.1.5 properties for, 319.3, A319.3 support, 321.1.2, K321
- Anchors, 319.7, 321.2.1, A319.7
- Antimony, effects of, F323.4
- A-Numbers, Tables 330.1.1 and 331.1.1
- Appendices (*see* Contents) status of, 300(f), 300.4
- Application of Code, Introduction
- Assembly, 300.2, 335, A335, M335, K335
- Atmospheric icing, 301.4.3
- Attachments, 321.1.4, 321.3, K321 (*see also* supports)
- Backing filler material (*see* consumable insert)
- Backing material, 300.2, 328.3.2, 328.4.2, M311.2, M328.3.2, K311.2.3, K328.3.2, K328.4.2
- Base material, def., 300.2
- Bases for allowable stresses (*see* allowable stress bases)
- Basic allowable stress definition, 300.2 values, Table A-1
- Bearing allowable stress, 302.3.1, K302.3.1 test, A302.3.3
- Bell type joints (*see also* caulked joints and packed joints) assembly, 335.5, A335.5 fluid service requirements, 316, 318.1, A318, M318
- Bellows expansion joints, 345.3.3, 345.4.2, F304.7.4, K304.7.4, App. X
- Bending, 332.2, A332.2, M332, MA332, K332.2
- Bending moments, 319.4.4
- Bending temperature, 332.2.2
- Bends corrugated, 306.2.2, 332.2.3, A306.2.2, M332, K306.2.3, K332.2.2, App. D fabrication, 332.2, A332.2, K332.2 flattening, 332.2.1, K332.2.1 fluid service requirements, 306.2, A306.2, M306.2, K306.2 miter, 300.2, 304.2.3, 306.3, A304.2.3, A306.3, M306.3, MA306.3, K304.2.3, K306.3 pipe, 304.2.1, 306.2, 332.2, A304.2.1, A306.2, M306.2, M332, MA306.2, K304.2.1, K306.2, K332.2 pressure design, 304.2.1, 304.2.4, A304.2.1, K304.2.1 Bimetallic piping, 301.7.3, 323.4.3, K323.4.3

<sup>1</sup> General Notes follow at end of this Index.

- Bismuth, effects of, F323.4
- Blanks, 304.5.3, 308.1, M308.5, K308.5
- Blind flanges, 304.5.2, A304.5.2, K304.5.2
- Boiler piping, 300.1.3, Fig. 300.1.1
- Bolt design stress basis, 302.3.2, M302.3, K302.3.2
- Bolt design stress values, Table A-2
- Bolted joints
  - assembly, 335.2, A335.2, K335.2
  - design, 304.5.1, 308.4, 309.2, 312, K302.3, K309, F309, F312
  - fluid service requirements, 309, 312, A312, K304.5, K309, K312
- Bolting, bolts, 309, Table 326.1, K309, Tables K323.3.1 and K326.1, F309.1
  - procedure, 309.2.3, F309, F312
  - sequence, 309.2.3, A335.2.5
  - torque, 309.2.3, 312.1, 312.2, 335.2.2, A335.2.4, A335.8.1
- Bond, seal, 335.3.2, A311.2.4, A328.6
- Bonded joints
  - acceptance criteria, Table A341.3.2
  - definition, 300.2
  - fabrication, A328
  - fluid service requirements, A311, MA311.2
  - materials, A328.2.1, A328.3.1, A328.5.3, A328.5.6, A328.7
  - procedures, A328.1, A328.2, A328.5
  - qualification, A328.2
  - records, A328.2.4
  - repair of defects, A328.6, A341.3.3
  - requalification, A328.2.6
  - responsibility, A328.1
- Bonder, def., 300.2
- Borosilicate glass, 323.4.2, A334.1, A335.8.1, Table B-5, FA323.4
- Bowing (of piping), 301.7.2, F301.7
- Brackets, support, 321.3.2
- Branch connection fittings
  - application, 304.3.1, K304.3.1
  - definition, 300.2
  - limitations, 304.3.2, 304.3.3, 328.5.4, K306.1.2, K328.5.4
- Branch connections (*see also* branch connection fitting, extruded outlets)
  - acceptance criteria, Tables 341.3.2 and K341.3.2
  - considerations, 304.3.5, A304.3.3
  - design, 304.2.4, 304.3, A304.3, K304.3
  - fabrication, 328.4.3, Fig. 328.4.4, 328.5.4, Fig. 328.5.4, A328.5.2, A328.5.3, A328.5.4, A328.5.5, Fig. A328.5.5, A328.5.6, A328.5.7, K328.5.4, Fig. K328.5.4
  - fluid service requirements, 306.5, A306.5, M306.5, MA306.5, K306.5
  - reinforcement, 304.3.3, 304.3.4, 328.5.4, Fig. 328.5.4, 331.1.3, A328.5.3, A328.5.6, K328.5.4, App. H
  - small, 302.4.1, 304.3.5, 322.3.2
  - strength, 304.3.2, A304.3.2, M304.3.2, K304.3.2
- Branch connections (*see also* branch connection fitting, extruded outlets) (Cont'd)
  - welded, 304.3.3, 328.5.4, Fig. 328.5.4, K328.5.4, Fig. K328.5.4, App. H
- Branches (*see* branch connection fittings; branch connections; *and* extruded outlets)
- Brazed joints
  - fabrication, 333, M333, K333
  - limitations, 317.2, M317, K317.2
  - materials, 325, 333.2
- Braze welding, 300.2, 317.2, 333, M317, M333, K317.2
- Brazing, 300.2, 317.2, 333, M317, M333, K317.2, K333
- Brittle piping (*see also* ductility)
  - assembly, A335.8
  - supports, A321.5.2
- Butt-and-wrapped joint
  - definition (*see* bonded joint)
  - bonding, A328.5.7
- Butt joint, def., 300.2
- Butt weld
  - acceptance criteria, 341.3.2, Table 341.3.2, Fig. 341.3.2, 341.3.3, K341.3.2, Table K341.3.2
  - fluid service requirements, 311.2, A318.3.1, M311, K311.2
  - girth, 311, 328.5, M311, M328, K311, K328.5
  - longitudinal, 302.3.4, 328.4.3, 328.5, K302.3.4, K328.4.3, K328.5
  - preparation, 328.4, Fig. 328.4.2, K328.4, Fig. K328.4.3
  - repair, 328.6, K328.6
  - requirements, 328, A329.1, K328
  - standard for, Table 326.1
- Cadmium, effect, F323.4
- Calculated stress limits, 302.3.5, 302.3.6, A302.3.5, A302.3.6, K302.3.5, K302.3.6
- Calculations, branch reinf., App. H
- Carbon steel (*see* steel, other than stainless)
- Casting quality factor  $E_c$ , 302.3.3, Tables 302.3.3C and 302.3.3D, K302.3.3, Table A-1A
- Cast iron
  - allowable stresses, 302.3.2, Table A-1
  - flanges, bolting for, 309.2.3
  - fluid service requirements, 323.4.2, M323.4.2, K323.4.2, F323.4
  - quality factor  $E_c$ , Table A-1A
  - standards, Table 326.1
  - supports, 321.1.4
- Categories, fluid service, 300(b), 300.2, App. M
- Category D Fluid Service
  - definition, 300.2, App. M
  - requirements for, 300(d), 305.2.1, 305.2.2, 306.3.2, 307.2, 311.2.1, 314.1, 314.2.1, 316, 317.1, Table 341.3.2, 341.4.2, 345.1, 345.7, A311.2.3, A323.4.2, A341.4.2, A345.7



- Category M Fluid Service  
 definition, 300.2, App. M  
 piping for, 300(d), Ch. VIII, K300.1.4
- Caulked joints, 300.2, 316, 335.5, A335.5, M316, M335.5, K316 (*see also* bell type joints *and* packed joints)
- Cautions, Introduction (*see* precautions)
- Cemented joints (*see* adhesive joints; solvent cemented joints)
- Cements, 325, A328.2.1, A328.3.1, A328.5.3, F323.1
- Charpy impact test, 323.3, K323.3
- Chemical plant, def., 300.2
- Chemicals piping coverage, 300.1.1
- Clad materials, 323.4.3, K323.4.3
- Clamps, support, 321.2.2, 321.3.1
- Classifying fluid services, App. M
- Cleaning, 328.4.1, A328.4, F335.9
- Clips, support, 321.3.2
- Closures, 304.4, A304.4, M304.4, K304.4
- Code  
 application, Introduction  
 cases, Introduction  
 coverage, 300.1.1, Fig. 300.1.1  
 description, 300(a)  
 exclusions, 300.1.3  
 inquiries, Introduction, App. Z  
 intent of, Introduction, 300(c)  
 interpretation, Introduction, App. Z  
 scope, 300.1  
 service requirements, 300(d)
- Coefficient of expansion (*see* thermal expansion)
- Cold spring, 319.2.4, 335.1.1, 341.4.3, A319.2.3
- Combined leak test, 345.6
- Components  
 criteria for design, 302.2, A302.2, K302.2  
 definition, 300.2  
 dimensions (standards), 326, A326, M326, K326  
 fluid service requirements, 300(d), Ch. II, Part 3, A306, A308, M305–M308, MA306, MA308, K306–K309  
 listed, 302.2.1, 302.2.2, 304.7.1, 305.1, 306.1.1, 307.1.1, 308.1.1, 309.1.1, 326.1.1, 326.2.1, Table 326.1, A302.2.2, A304.7.1, A306.1.1, M326.1.1, Table A326.1, K302.2.1, K302.2.2, K304.7.1, K306.1.1, K307.1.1, K326, Table K326.1, App. E  
 metallic–nonmetallic, 304.7.3, A304.7.3  
 pressure design, 304, A304, M304, K304  
 ratings (standards), 326, A326, M326, K326  
 standards, 326, A326, M326  
 tabular listing, Tables 326.1, A326.1, and K326.1  
 unlisted, 302.2.3, 304.7.2, 326.1.2, 326.2.2, A304.7.2, M326.1.2, K302.2.3, K304.7.2
- Compounds  
 sealing, 325, M325  
 thread, 314.1, 325, 335.3.1, 335.3.2
- Compression joints, tubing, 315, 335.4.2, M335.4.2, K315
- Computed stress range, 319.1, 319.4.4
- Concentric reducers, 304.6, A304.6, K304.6
- Concrete pipe, Table B-4
- Condensation, air, 301.11  
 atmospheric (moisture), 301.4.3
- Conditions, design (*see* design conditions)
- Connections  
 branch (*see* branch connection fittings; *and* branch connections)  
 hose, Table 326.1  
 instrument, 322.3.2, K322.3.2  
 structural (support), 321.4
- Connections for piping, 300.1.3, 300.2
- Constant-support hangers, 321.2.3
- Consumable inserts, 300.2, 311.2.3, 328.3.3, 328.4.2, M328.3.2, K311.2.3, K328.4.2 (*see also* backing material)
- Continuity  
 electrical, A335.2.5  
 of lining, A329.1.2
- Contraction, thermal (*see* expansion)
- Control piping, 322.3, A322.3, M322.3, K322.3
- Cooling of fluid, effects, 301.4.1
- Copper and copper alloys, 319.3.4, Tables A-1, A-1A, A-1B, and A-2  
 effects, F323.4
- Corrosion  
 allowance, 302.4, 304.1.1, A304.1.1, K304.1.1  
 in service, 323.5
- Counterweight supports, 321.2.4
- Coupling, straight thread, 314.2.1
- Criteria, acceptance (*see* acceptance criteria)
- Criteria, design (*see* design criteria)
- Criteria, impact test, 323.3.5, K323.3.5
- Cross-country pipelines, 300.1.3, Fig. 300.1.1
- Crushing (*see* bearing test)
- Curved pipe (*see also* bends, elbows)  
 external pressure, 304.2.4, K304.2.4
- Cyanides, effects of, F323.4
- Cyclic effects (loads), 301.10
- Cyclic service, 302.3.5, K302.3.5, K304.8.1 (*see also* severe cyclic conditions)
- Damaging to human tissue, def., 300.2
- Dead load, 301.6.2, 304.3.5, 321.1
- Defects, Table 302.3.3C, 328.6, 341.3.3, 341.3.4, A328.7, A334.2, A341.3.3, K323.1.4, K328.6, K341.3.3
- Definitions (alphabetically listed), 300.2  
 nomenclature, App. J
- Deformation, stress limits, 302.3.2
- Delayed heat treatment, 331.2.4
- Design  
 allowances, 302.2.4, 302.4, A302.2.4, A302.4, M302.2.4, K302.2.4, K302.4, App. V

- Design (Cont'd)
- conditions, 301, A301, M301, K301, F301
  - criteria, 302, A302, M302, MA302, K302
  - minimum temperature, 301.3.1, 323.2.2, A301.3.1, M323.2, K323.2.2
  - of (specific) systems, 322, A322, M322, K322
  - philosophy, Introduction, 300(c)
  - pressure, 301.2, 322.6.3, M301.2
  - requirements, 300(c), 300.1.1 (*see also* designer responsibilities; engineering design; *and other specific terms*)
  - stresses, bolting, 302.3.2, M302.3, K302.3.2
    - stress values, Table A-2
  - stresses, metals (*see* stresses, allowable)
  - stresses, nonmetals, A302.3, App. B
  - supports, 321, A321, K321
  - temperature, 301.3, A301.3, M301.3, K301
- Designer
- approval by definition, 331.2.1, M323.1.4
  - definition, 300.2
  - responsibilities, 300(b), 300(c), 302.2.3, 319.5, 323.2.1, 323.2.4, 331.2.1, 331.2.2, 345.5.1, A302.1, M323.1.4, K300(b), K302.2.3
- Deterioration in service, 323.5, M323.5
- Device, pressure relieving, 301.2.2, 322.6, K322.6.3
- Differential thermal expansion, 301.7.3, 313
- Dimensional standards, 326, A326, M326
  - tables, Tables 326.1, A326.1, and K326.1
- Discharge piping, 301.5.5, 322.6.2, G300.2
- Discontinuities, 344.6, K302.3.3, Table K302.3.3D (*see also* acceptance criteria, indications)
- Displacement
  - strains, 319.2.1, 319.2.3, 321.1, A319.2.1
  - stresses, 319.2.2, A319.2.2
  - stress range, 302.3.5, 319.2.3, 319.4.4, K302.3.5
- Dissimilar metals, 330.2.3, 331.2.3
- Ductile iron
  - allowable stresses, Table A-1
  - fluid service requirements, 323.4.2, M323.4.2, K323.4.2
  - quality factor,  $E_c$ , Table A-1A
  - standards, Table 326.1
  - supports, 321.1.4
- Ductility
  - reduced, 301.9
  - requirements (*see* toughness requirements)
- Dynamic effects (loads), 301.5, M301.5, F301.5
- Earthquake loads, 301.5.3, 302.3.6, A302.3.4, K302.3.6
- Eccentric reducer, 304.6.2, A304.6, K304.6
- Eddy current examination, Table K305.1.2, K344.8
- Elastic modulus, 319.3.2, 319.4.4, 319.5.1, A319.3.2, App. C, App. D
- Elastomeric seals, A318.4, A335.6.3
- Elbows, 304.2.2, 319.4.4, A304.2.2, K304.2.2 (*see also* fittings)
- Electrical continuity, A335.2.6
- Electrofusion, A328.5.5
- Elements, piping, def., 300.2
- Elongated indications, Tables 341.3.2, K341.3.2
- End preparation (*see* welding preparation)
- Engineered safeguards, M300(d), App. G
- Engineering design, 300(b), 300(c), M300(e), K321
  - definition, 300.2
- Engineering requirements, 300(c)
- Equipment connections (*see* connections for piping)
- Equipment excluded, 300.1.3, Fig. 300.1.1
- Equipment, packaged, 300.1.2, 300.2
- Erection, 300.2, 335, A335, M335
- Erector responsibilities, 300(b), 341.2
- Erosion allowances, 302.4
- Examination
  - definition, 341.1
  - personnel, 342
  - procedures, 343
- Examination methods, 344
- eddy current, Table K305.1.2, K344.8
- in-process, 341.4.1, 341.4.3, 344.7, M341.4.1, K341.4.1
- liquid penetrant, Table 302.3.3C, 341.4.3, 344.4, 345.9.1, K302.3.3, K344.4
- magnetic particle, Table 302.3.3C, 341.4.3, 344.3, 345.9.1, K302.3.3, K344.3
- qualification, 342.1, 343
- radiographic, Tables 302.3.3C and 302.3.4, 341.4.1, 341.4.3, 341.5.1, 344.5, 345.9.1, K302.3.3, Table K302.3.3D, K341.3.2, K341.4.1, K344.5
- supplementary, 341.5
- ultrasonic, Table 302.3.3C, 341.4.1, 341.4.3, 344.6, K302.3.3, K341.3.2, K341.4.1, K344.6
- visual, 302.3.3, 341.4, 344.2, 344.7.2, 345.2.2, K341.4.1
- Examination, progressive (*see* progressive examination)
- Examination required, 302.3.3, 302.3.4, 323.4.3, 341.3, Table 341.3.2, 341.4, 345.2.2, M341.4, K302.3.3, K302.3.4, K323.4.3, K341.3, K341.4
  - alternative leak test, 345.1, 345.9.1, K345.9
  - branch connection, 341.3.1
  - castings, 302.3.3, Tables 302.3.3C and 302.3.3D, K302.3.3, Table K302.3.3D
  - Category D Fluid Service, Table 341.3.2, 341.4.2, A341.4.2
  - Category M Fluid Service, M341.4
  - clad or lined pipe, 323.4.3, K323.4.3
  - High Pressure Fluid Service, Table K341.3.2, K341.4
  - longitudinal welds, 302.3.4, Table 302.3.4, Table 341.3.2, 341.4.1, 341.5.1, K302.3.4, Table K341.3.2
  - Normal Fluid Service, Table 341.3.2, 341.4.1
  - pneumatic test, 341.4.1, 345.2.2, 345.5
  - progressive, 341.3.4, 341.5.1
  - severe cyclic conditions, Table 341.3.2, 341.4.3
  - visual (*see* visual examination)

- Examination requirements, 341.3, A341.3, K341.3 (*see also* examination required)
- Examiner qualifications, 342.1
- Excluded piping, 300.1.3, Fig. 300.1.1
- Excursion, definition, V300.1
- Expanded joints, 313, M313, MA313, K313
- Expansion, thermal  
 data, 319.3.1, A319.3.1, App. C  
 design for, 301.7, 304.3.5, 319, A319  
 differences, 301.7.3  
 effects, 301.7, 304.7.2, 313, 315.1, A304.7.2, K304.7.2, F301.7  
 fluid, 301.4.2  
 piping, 301.7, 319, A319, M319
- Expansion joints, 304.7.4, 319.7, 321.2.1, 345.3.3, A319.7, F304.7.4  
 bellows type, 345.3.3, 345.4.2, K304.7.2, K304.7.4, App. X
- Experimental stress analysis, 304.7.2
- Extended fatigue life, K304.8.6
- External pressure  
 design, 302.3.5, 304.1.3, 304.2.4, 304.3.3(b), A302.3.3, A304.1.3, A304.3.2, K302.3.5, K304.1.3, K304.2.4  
 test, 345.2.4, 345.2.5
- Extruded outlets, 304.3.1, 304.3.4, Fig. 304.3.4, K304.3.1
- Fabricated branches  
 fluid service requirements, 306.5, A306.5, K306.5  
 pressure design, 304.3, A304.3, M304.3, K304.3
- Fabricated laps, 306.4.1, 306.4.3, 328.5.5, A306.4, M306.4, K306.4, K328.5.5
- Fabrication, 300.2, 323.4.3, 327–333, A328–A334, M328–M333, K323.4.3, K328–K333
- Fabricator responsibilities, 300(b), Table 323.2.2, 327–333, 341, A328–A334, A341, M328–M333, M341, K328–K333, K341
- Facing, flange (*see* flange facing)
- Factor of safety, X302.1.1
- Factors  
 casting  $E_c$  (*see* references in App. J)  
 flexibility  $h$ , 319.3.6, App. D  
 stress intensification  $i$ , 319.3.6, 319.4.4, App. D  
 stress range reduction  $f$ , 302.3.5  
 weld joint  $E_j$  (*see* references in App. J)
- Fatigue, 301.10, 319.1.1, K302.3.1, K304.7.2, K304.8, 323.1.4, X301.1.2, Fig. X302.1.3
- Fatigue analysis, K304.8, K319, X302.1.3
- Fatigue life, K304.7.2, K323.1.4  
 extended, K304.8.6
- Filler material, 300.2, Table 323.3.1, 328.3.1, 333.2.1, A328.3.1, Table K323.3.1, K328.3.1
- Fillet weld, 300.2, 311.2.5, 328.5.2, Figs. 328.5.2, 328.5.4, and 328.5.5, 331.1.3, Table 341.3.2, K311.2.5, K328.5.2, Tables K341.3.2 and D300, App. H
- Fire protection piping, 300.1.3
- Fired heater (*see* heater piping)
- Fittings (*see also* branch connection fittings)  
 definition (*see* components)  
 fluid service requirements, 306, A306, M306, MA306, K306
- Fixtures, support, 321.2  
 definition (*see* pipe-supporting elements)
- Flammable, def., 300.2 (*see also* hazardous)
- Flanged joints (*see also* bolted joints)  
 assembly, 302.3.2, 312, 335.2, A335.2, K312, K335.2, F312  
 bolting (*see* bolting, bolts)  
 fluid service requirements, 312, A312, K312  
 gaskets (*see* gaskets)
- Flange facing, 308.3, A308.2.1, K308.4, F308.4
- Flanges  
 aluminum, specification, App. L  
 blind, 304.5.2, A304.5.2, K304.5.2  
 expanded joint, 308.2.2, M308.2, K308.2.2  
 facing, 308.3, A308.2.1, M308.2, K308.4, F308.4  
 flat-faced, 309.2.3, 312.2, F308.4 (*see also* full-face gaskets)  
 fluid service requirements, 308, A308.2, M308, MA308.2, K308  
 for severe cyclic conditions, 308.2.4  
 pressure design, 304.5, A304.5, A312, K304.5, F312  
 slip-on, 308.2.1, 311.2.5, 328.5.2, Fig. 328.5.2, Table 308.2.1, Table 341.3.2, M308.2, K308.2, F308.2  
 tapped holes, 309.3, A309.3  
 threaded, 308.2.3, M308.2, K308.2.1  
 welding neck, 308.2.4
- Flared laps, 306.4.2, 306.4.3, 308.2.5, 332.1, 323.3, A306.4.2, M306.4, K306.4, K308.2.2
- Flared tube joints, 315, 335.4.1, A335.4.1, M335.4.1, K315
- Flareless tube joints, 315, 335.4.2, M335.4.2, K315
- Flashing of fluids, 301.5.1, F301.5
- Flexibility, 319, A319, M319, K319  
 analysis, 319.4, 321.1.2, 345.9.2, A319.4, M319.4, K319  
 characteristic  $h$ , Table D300  
 factor  $k$ , 319.3.6, Table D300  
 increased, 319.7, A319.7  
 stresses, 319.4.4
- Flexible joints, 319.7, A319.7
- Fluidized solids coverage, 300.1.1
- Fluids  
 cooling of, effects, 301.4.1  
 flashing, 301.5.1, F301.5  
 geysering, 301.5.1, F301.5  
 instability, 300(c), F323(a)  
 reactivity, F323(a)  
 slugging, 301.5.1  
 thermal expansion of, 301.2.2, 301.4.2  
 two-phase flow of, 301.5.1, 301.7.2, F301.7

- Fluid service  
 categories, 300(d), 300.2, App. M  
 definitions, 300.2  
 guide to classifying, App. M  
 precautions, materials, F323, FA323.4  
 requirements, 305–318, 323.4, A305–A318, A323.4, M305–M318, M323.4, MA305–MA318, MA323.4, K305–K318, K323.4
- Forged fittings, 306.1, M306.1, K306.1
- Forged laps, 306.1, 306.4, M306.1, K306.1, K306.4
- Forming, 332.1, 332.3, K332.3
- Full-face gaskets, 304.5.1, 309.2.3, 312.2, A304.5.1, F308.4
- Gallium, effects, F323.4
- Gas piping coverage  
 in-plant, 300.1.1  
 transmission lines, 300.1.3, Fig. 300.1.1
- Gaskets, 308.1, 308.4, 325, 335.2.4, A308.4, K308.1, K308.4, F308.4, F312  
 full-face (*see* full-face gaskets)
- Geysering of fluids, 301.5.1, F301.5
- Girth weld  
 fluid service requirements, 311, M311, K311  
 imperfections, 341.3.2, Fig. 341.3.2, Table 341.3.2, K341.3.2, Table K341.3.2
- Gland type joint, 318, 335.6, M318, K318
- Glass, borosilicate, A321.5.3, A323.4.2, A334.1, A335.8.1
- Governmental jurisdiction, Introduction
- Gradients, temperature, 301.7.2, F301.7
- Grooving allowance, 302.4, K302.4
- Guide to classifying fluid services, App. M
- Guides (support), 321.2.1
- Hand lay-up (*see* butt-and-wrapped)
- Hangers, pipe (*see* supports)
- Hardness  
 air hardening, 331.1.3, K331.1.3  
 requirements, 331.1.7, Table 331.1.1, K331.1.3  
 testing, 331.1.7, 341.5.2
- Hazard (to personnel), App. G
- Hazardous properties of fluids [*see* 300(c), Category D, Category M, damaging to human tissue, flammable, fluid service, instability of fluids; *see* G301.1; *see also* fluid service requirements for specific piping elements]
- Header, 304.3.4, 319.4.4, App. H (*see also* run)  
 extruded outlet, 304.3.4
- Heat-affected zone, 300.2, Tables 323.2.2 and 323.3.1, 331.1.7, Table K323.3.1
- Heater piping, 300.1.3, Fig. 300.1.1
- Heat fusion joint, A328.5.4
- Heat treatment, 300.2, Tables 323.2.2 and 323.3.1, 323.3.5, 328.2.1, 331, Table 331.1.1, M331, K331  
 for bending and forming, 332.4, K332.4  
 for welding-end valves, 328.5.1  
 local (*see* local heat treatment)
- High pressure piping, 300(e), Ch. IX  
 scope and applicability, K300
- High silicon iron, 323.4.2, F323.4
- Holes, tapped, 309.3, A309.3
- Hose connection (standard), Table 326.1
- Hot gas welded joint, A328.5.2
- Hydraulic  
 impact (shock) (*see* shock, hydraulic)  
 support, 321.2.5
- Hydrogen, effects, F323.4
- Hydrostatic design stress  
 definition, A302.3  
 values, Table B-1
- Hydrostatic leak test, 345.1, 345.4, A345.4, K345.1, K345.4
- Hydrostatic–pneumatic leak test, 345.6, K345.6
- Ice loads, 301.6.1, 321.1
- Icing, atmospheric, 301.4.3
- Identification, bond, weld, 328.5.1, A328.5.1
- Impact (*see also* toughness)  
 acceptance criteria, 323.3.5, Table 323.3.5, K323.3.5, Table K323.3.5  
 forces or loads, 301.5.1, 315.1, 321.1, A302.1, A304.7.2, A323.4.1, M301.5.1, K304.7.2  
 hydraulic, 301.5.1  
 testing, metals, Table 323.2.2, 323.3, Table 323.3.1, K323.3, Table K323.3.1
- Imperfections, 341.3.3, Fig. 341.3.2, K341.3.3 (*see also* acceptance criteria, indications)  
 illustrations, Figs. 328.4.3, 328.4.4, and 341.3.2
- Increasing flexibility, 319.7, A319.7
- Indications, 300.2, Tables 341.3.2 and K341.3.2
- Initial service leak test, 345.7, M345, K345.1
- In-process examination, 341.4.1, 341.4.3, 344.7, M341.4, K341.4.2
- Inquiries, Introduction, App. Z
- Inserts, consumable, 300.2, 311.2.3, 328.2.1, 328.3.3, Fig. 328.3.2, 328.4.2, M328.3.2, K311.2.1, K328.4.2
- Inspection, 300.2, 340
- Inspector  
 approval by, 304.7.2, 328.2.2, 328.2.3, 341.4.1, 341.4.3, A328.2.2, A328.2.3, M341.4.1  
 certification by, 341.4.1, 345.2.7  
 definition, 340.4  
 qualifications, 340.4  
 responsibilities, 300(b), 328.2.2, 328.2.3, 340.2  
 rights, 340.3
- Instability of fluids, 300(c), F323(a)
- Instrument piping, 322.3, A322.3, M322.3, K322.3  
 components, def., 300.2
- Insulated piping, 301.3.3, 301.3.4
- Insulation loads, 301.6.2
- Intensification factors, 319.3.6, 319.4.4, App. D
- Intent of Code, Introduction, 300(c)
- Intermediate alloy steel (*see* steel, other than stainless)

- Internal insulation, 301.3.4
- Internal pressure  
 design, 302.3.5, 303, 304, A304, M304, MA304, K302.3.5, K303, K304  
 leak test, 345.2.1, 345.4, 345.5, 345.6, 345.7, A345.2.1, A345.4.2, K345.2.1, K345.4.2
- Interpretation of Code, Introduction, App. Z
- Interrupted welding, 330.2.4
- Jacketed piping, 301.7.3, 345.2.5  
 leak test, 345.2.5
- Joining  
 materials, 325, 328.3, Table A326.1, A328.3.1, A328.5.1, A328.5.3, A328.5.5, A328.5.6, K328.3  
 metals, 327, 328, 333, 335, A329, A335, M335, K328, K333  
 nonmetallic lined materials, A329, A335.2.5  
 nonmetals, A328, A334, A335  
 nonplastic nonmetals, A334
- Joint (*see also* specific types of joint)  
 alignment, 328.4.2, 328.4.3, 335.1.1, M335.1.1  
 assembly, 335, A335, M335  
 design, def. (welded), 300.2  
 fit-up, A328.4  
 fluid service requirements, 300(d), 310–318, A310–A318, M310–M318, MA310–MA318, K310–K318  
 penetration, 328.5.4, 328.5.6, 341.3.2, Fig. 341.3.2, Table 341.3.2, K341.3.2, Table K341.3.2  
 preparation, 328.4, A328.4, A328.5.2, A328.5.3, A328.5.4, K328.4
- Junction of services, 302.2.5, A302.2.5, M302.2.5, K302.2.5
- Jurisdiction (*see* governmental)
- Laid-up (*see* butt-and-wrapped)
- Laps (*see* fabricated; flared; *or* forged laps)  
 for severe cyclic conditions, 306.4, 306.4.3
- Larson-Miller parameter, App. V
- Lateral (fitting), 304.3.1
- Lead  
 effects, F323.4  
 fluid service requirements, 323.4.2
- Leak test, 345, A345, M345, K345, X302.2.3
- Life Fraction Rule, App. V
- Limitations on  
 imperfections (*see* acceptance criteria)  
 temperature (*see* temperature limits)
- Limits, temperature (*see* temperature limits)
- Lined piping, 301.7.3, 323.4.3, A300(a), A300(d), A308.4.1, A312, A318.3, A323.4.3, A329, A335.2.6, M323.4.3, MA323.4.3, K323.4.3
- Liquefied gases coverage, 300.1.1
- Liquid penetrant examination, Tables 302.3.3C and 341.3.2, 341.4.3, 344.4, 345.9.1, K302.3.3, K344.4, X302.2.2
- Liquid piping coverage, 300.1.1, 300.1.3
- Listed  
 components (*see* components listed)  
 definition, 300.2  
 joints, 315.2, 318.1.1  
 materials, 323.1.1, M321  
 specifications, 323.1.1, Apps. A, B, E, and K  
 standards, 326.1.1, A326.1, K326.1, App. E  
 standards, tables, Tables 326.1, A326.1, and K326.1
- Live load, 301.6.1, 304.3.5, 321.1
- Loads (*see* specific type of load)
- Local heat treatment, 331.2.6
- Longitudinal  
 joints, 302.3.4, 328.4.3, Table 341.3.2, K302.3.4, K328.4.3, Table K341.3.2  
 stresses, 302.2.4, 302.3.5, K302.3.5
- Low alloy steel (*see* steel, other than stainless)
- Low temperature requirements, 323.2.2, Table 323.2.2, A323.2.2, Table A323.2.2, K323.2.2
- Lubricant, thread, 325, 335.3.1, A314.2.1
- Magnesium, effects, F323.4
- Magnetic particle examination, Tables 302.3.3C and 341.3.2, 341.4.3, 344.3, 345.9.1, K302.3.3, K344.3
- Malfunctions, 301.2.1, 301.4.3, 302.2.4
- Malleable iron  
 allowable stresses, 302.3.2, Table A-1  
 fluid service requirements, 323.4.2, M323.4.2, K323.4.2, F323.4  
 quality factors  $E_c$ , Table A-1A  
 standards, Table 326.1  
 supports, 321.1.4
- Manufacturer responsibilities, 300(b), 304.3.4, Table 323.3.1, 341.2
- Materials, 323, 325, A323, M323, MA323, K323  
 bonding, A328  
 clad, 323.4.3, K323.4.3  
 deterioration in service, 323.5  
 fluid service requirements, 300(d), 323.4, A323.4, M323.4, MA323.4, K323.4  
 listed, 323.1.1  
 metallic lining, 323.4.3, K323.4.3  
 miscellaneous, 325  
 nonmetallic lining, A323.4.3  
 precautions, F323, FA323.4  
 properties for flexibility analysis, 319.3, A319.3, App. C  
 reclaimed, 323.1.4, A323.1.4, M323.1.4, K323.1.4  
 supports, 321.1.4, M321  
 temperature limitations, 323.2, A323.2, Tables A323.4.2C and A323.4.3, M323.2, K323.2  
 unknown, 321.1.4, 323.1.3, M321.1.3, K323.1.3  
 unlisted, 323.1.2  
 welding, 328, A329.1, K328
- Maximum relieving pressure, 322.6.3
- Mechanical joints, 300.2, 318, M318, K318

- Mechanical loads, 313, 314.2.1, 314.2.2, 319.1, 321.1.1, A323.4.1, K314.1
- Mechanical strength allowance, 320.4.1
- Metallic bellows expansion joints, 345.3.3, 345.4.2, F304.7.4, App. X
- Metallic–nonmetallic piping, 301.7.3, 304.7.3, A304.7.3
- Misalignment (*see* alignment)
- Miscellaneous materials, 325
- Miter, def., 300.2
- Miter bend
  - flexibility analysis, 319.4.4
  - fluid service requirements, 306.3, A306.3, M306.3, MA306.3, K306.3
  - pressure design, 304.2.3, A304.2.3
- Modulus of elasticity, 319.3.2, 319.5.1, A319.3.2, App. C, App. D
- Moments in piping, 319.4.4
- Movements
  - of connected equipment, 301.8, 319.2.1
  - of piping, 304.3.5, 319.6, A319.6
  - of supports, 301.8, 304.3.5, 319.2.1
- Multiple branches, 304.3.3, 304.4.3
- Multiple outlet closures, 304.4.2
- Natural gas piping, 300.1.1, 300.1.3
- Nickel and nickel alloys, Tables A-1, A-1A, A-1B, and A-2, F323.4
- Nomenclature and symbols, 300.3, App. J
- Nominal, 300.2
- Nominal pipe size (NPS), 300.2, App. J
- Nonmetallic lined piping, 300(d), Ch. VII, MA300, MA323.4.3
- Nonmetallic lining material, A323.4.3
- Nonmetallic–metallic piping, 301.7.3, 304.7.3, A304.7.3
- Nonmetals, 300(d), Ch. VII, MA300–MA346, App. B, Tables C-5 and C-8
- Nonplastic nonmetals,
  - fluid service requirements, A323.4.2
  - joining, A334
  - repair of defects, A334.2
- Normal Fluid Service
  - definition, 300.2
  - requirements for, 300(d), 305.1, 306.1.1, 306.3.1, 306.4.1, 306.4.2, 306.5.1, 307.1.1, 308.1.1, 309.1.1, 311.1, 314.1, 315.2, 317.2, 318.1.1, Table 341.3.2, 341.4.1, A305, A306.1.1, A306.3, A306.5.1, A311.1, A314.1, A318.3, A341.4.1
- Notch-sensitive, 300.2
- Notch toughness (*see* impact testing *and* toughness)
- NPS (*see* nominal pipe size)
- Occasional loads, 302.3.6, A302.3.4, K302.3.6
- Occasional variations (*see* allowances for pressure-temperature variations)
- Oil piping coverage
  - in-plant, 300.1.1
  - transmission lines, 300.1.3, Fig. 301.1.1
- Openings in closures, 304.4, A304.4, M304.4
- Operators, qualification, 328.2, A328.2, K328.2
- O-rings, 325
- Outlet fittings, 304.3.1, 304.3.2, 304.4.2, 306.1.3, M306.5
- Outlet headers (*see* extruded outlets)
- Owner's
  - approval, 328.3.1, 345.4.3, A345.5.1, K302.2.1, K304.8.5, K328.3
  - guide to classif. fluid serv., App. M
  - option for testing, 345.1, 345.7
  - responsibilities, 300(b), 300(d), 300(e), 302.2.1, 302.2.4, 340.2, 346.3, M300(a), K300(a), K300(b), K302.2.1, K304.8.5, K328.3.1, K333, App. M
- Owner's Inspector (*see* Inspector)
- Oxidizing fluid service, F323.4, F335.9
- Packaged equipment, 300.1.2, Fig. 300.1.1, 300.2
- Packed joints, 304.7.4, 318, 318.2.3, 321.2.1, 335.6.2, A335.5, A335.6, K318, F323.1 (*see also* caulked joints)
- Packing, joint or valve, 325, F323.1
- Pad, reinforcing (*see* reinforcing ring)
- Peening of welds, 328.5.1
- Penetration (*see* joint penetration)
- Performance testing, A304.7.2, K304.7.2
- Petroleum refinery, def., 300.2
- Pipe
  - definitions, 300.2
  - fittings, 306, A306, M306, K306
  - fluid service requirements, 305, A305, M305, K305
  - pressure design, 304.1, A304.1, K304.1
- Pipe bends
  - fluid service requirements, 306.2, A306.2, M306.2, K306.2
  - pressure design, 304.2.1, A304.2.1, K304.2.1
- Pipe hangers, 321.2.2, 321.3.1
- Pipe supports, 300.2, 301.8, 321, A321, M321, K321
- Piping
  - clad, 323.4.3, K323.4.3
  - Code coverage, 300.1.1, Fig. 300.1.1
  - components (*see* components)
  - connections for (*see* connections)
  - cross-country, 300.1.3, Fig. 300.1.1
  - definition, 300.2
  - elements, def., 300.2
  - excluded, 300.1.3, Fig. 300.1.1
  - fire protection, 300.1.3
  - high pressure (*see* high pressure piping)
  - instrument (*see* instrument piping)
  - jacketed, 301.7.3, 345.2.5
  - joints (*see* joint; *see also* specific type of joint)
  - lined (*see* lined piping)
  - moments, 319.4.4
  - movements, 319.6, A319.6
  - pressure relief (*see* pressure relief piping)
  - supports, 321, A321, M321, K321
  - transmission lines, 300.1.3

- Piping system, def., 300.2
- Plumbing, 300.1.3
- Pneumatic leak test, 341.4.1, 345.1, 345.5, A345.5, K345.1, K345.5
- P-Numbers, 328.2.1, 328.2.2, 331.1.3, Tables 330.1.1 and 331.1.1, 332.4.1, 341.3.1, K330.1.1, K331.1, K332.4.1, Table A-1, Table K-1
- Poisson's ratio, 319.3.3, A319.3.3
- Postweld heat treatment (*see* heat treatment)
- Power boilers, 300.1.3, Fig. 300.1.1
- Precautions, App. F  
materials, F323.4, FA323.4
- Preheating, 300.2, 330, Table 330.1.1, A328.4, K330
- Preparation (*see also* joint preparation)  
for testing, 345.3
- Pressure, allowable (*see* allowable pressure)
- Pressure, design (*see* design pressure)
- Pressure containment, 301.2.1, 301.2.2, 301.2.3
- Pressure design, 303, 304, A303, A304, K303, K304  
bends, 304.2.1, A304.2.1, K304.2.1  
blanks, 304.5.3, K304.5.3  
blind flanges, 304.5.2, A304.5.2, K304.5.2  
branches, 304.3, A304.3, K304.3  
closures, 304.4, A304.4, K304.4  
crosses, 304.3.1, A304.3.2  
elbows, 304.2.2, A304.2.2, K304.2.2  
external pressure, 302.3.5, 304.1.3, 304.2.4, 304.3.3, 304.3.6, A302.3.3, A304.1.3, A304.3.2, K304.1.3, K304.2.4  
extruded outlets, 304.3.1, 304.3.4  
fatigue analysis, K304.8.4  
flanges, 304.5, A304.5, K304.5  
general, 303, A303, K303  
laterals, 304.3.1, A304.3.2  
miter bends, 304.2.3, A304.2.3  
multiple branches, 304.3.3, 304.3.4  
other components, 304.7, A304.7, K304.7  
pipe, 304.1, A304.1, K304.1  
reducers, 304.6, A304.6, K304.6  
tees, 304.3.2, A304.3.2  
welding outlets, 304.3.2, 304.4.2
- Pressure relieving device, 301.2.2, 322.6, K322.6.3
- Pressure relieving system, 301.2.2, 301.5.5, 302.2.4, 322.6, A322.6, M322.6, MA322, K322.6.3, F322.6
- Pressure-temperature  
design criteria, 302.2, A302.2, M302, K302.2  
ratings, 302.2.1, 303, 326, A326, K302.2.1, K303, Table K326.1  
variations (*see* allowances for)
- Pressure test, bellows expansion joint, X302.2.3
- Pressure testing (*see* leak test)
- Procedures  
bending, K332.1  
bonding, A328.2  
brazing, 333.1.1  
examination, 343
- Procedures (Cont'd)  
forming, K332.3  
joining, A334  
operating, for piping, G300.2  
qualification of (*see* qualification)  
soldering, 333.4.1  
welding, 328.2, A329.1.2, K328.2
- Process unit, 300.2
- Progressive examination, 341.3.4, 341.5.1
- Prohibitions, Introduction
- Proof testing, 304.7
- Protection of piping, G300.2, G300.3
- Qualification  
bonders, bonding operators, A328.2  
bonding procedures, A328.2  
brazing, 333.1.1  
by others, 328.2.2, 328.2.3, A328.2.2, A328.2.3, K328.2.2, K328.2.3  
examination method, 343  
examiners, 342.1  
Owner's Inspector, 340.4  
records (*see* records)  
tests, 328.2.1, A328.2.5, K328.2.1  
welders, welding operators, 328.2.1, A329.1.2, K328.2.1  
welding procedures, 328.2, A329, K328.2
- Quality assurance, weld, 319.4.5
- Quality factor  
casting, 302.3.1, 302.3.3, K302.3.3, Table A-1A  
weld joint, 302.3.1, 302.3.4, K302.3.4, Table A-1B
- Quantity of fluid, G300.1, G300.3
- Radiography, 344.5, K344.5  
full (100%), Tables 302.3.3C and 302.3.3D, 302.3.4, 341.4.3, 344.5.3, 345.9.1, K341.4.1  
of castings, Tables 302.3.3C and 302.3.3D, K302.3.3, Table K302.3.3D  
of longitudinal joints, Tables 302.3.4, 341.3.2, and K341.3.2  
random, 341.4.1, 344.5.3, M341.4.1  
spot (*see* spot radiography)
- Range, allowable stress (*see* allowable stress range)
- Ratings  
at junction of services, 302.2.5, A302.2.5, M302.2.5  
pressure-temperature, 302.2.1, 303, 326, A302.2.1, A312, A326, K302.2.1, K303, Table K326.1
- Reactions, piping, 319.5.2
- Reclaimed materials, 323.1.4, A323.1.4, M323.1.4, K323.1.4
- Records, 346  
bonding, A328.2.4  
examination, 341.4.1, 341.4.3  
procedure qualification (PQR), 300.2  
qualification, 328.2.4, 342.1, A328.2.4  
test, 345.2.7  
welding, 328.2.4

- Reducers, 304.6, A304.6, K304.6
- Referenced specifications, Apps. A, B, E, and K
- Referenced standards, 326, A326, M326, Table K326.1, App. E  
 tables, Tables 326.1, A326.1, and K326.1
- Refrigeration unit piping, 300.1.1, 300.1.2, Fig. 300.1.1
- Regulatory considerations, Introduction
- Reinforced plastic mortar (RPM)  
 assembly, A335.3.5  
 bonding, A328.5.1, A328.5.6, A328.5.7  
 design stresses, A302.3.2, App. B  
 fluid service requirements, A314.2.2, A323.4.2
- Reinforced thermosetting resin (RTR)  
 assembly, A335.3.5  
 bonding, A328.5.1, A328.5.6, A328.5.7  
 design stresses, A302.3.2, App. B  
 fluid service requirements, A314.2.3, A323.4.2
- Reinforcement of  
 branch connections, 300.2, 304.3.3, Fig. 304.3.3, 328.5.4, Fig. 328.5.4, K304.3.3, App. H  
 extruded outlet headers, 304.3.4, Fig. 304.3.4  
 welds, 300.2, Table 341.3.2, Fig. 341.3.2, Table K341.3.2
- Reinforcing ring (or pad, or saddle), 304.3.3, 328.5.4, Fig. 328.5.4, 331.1.3, App. H
- Relieving, pressure (*see* pressure relieving)
- Repair of defects, Table 302.3.3C, 328.6, 335.2.1, 335.4.1, 341.3.3, A328.7, A329.1.2, A334.1, A335.8, A341.3.3, K328.6, K341.3.3
- Requalification  
 bonder, bonding operator, A328.2.6  
 welder, welding operator, 328.1, K328.2.1
- Request for revision, App. Z
- Required examination, 341.4, A341.4, M341.4, K341.4
- Requirements for welding (*see* welding requirements)
- Resilient support, 321.2.3
- Responsibility  
 bonding, A328.1  
 designer, 300(b), 300(c), 300(d), 300.4, K300(b)  
 erector, 300(b), 341.2  
 examiner, 341.2  
 fabricator (*see* fabricator responsibilities)  
 Inspector (*see* Inspector responsibilities)  
 manufacturer, 300(b), Table 323.2.2, 341.2  
 owner (*see* owner's responsibilities)  
 welding, 328.1, K328.1
- Restraint  
 definition, 319.2.1  
 effects of, 319.2.1  
 fixtures, 321.2.1  
 loads due to, 301.7.1  
 materials, 321.1.4
- Room temperature, for tension testing, K302.3.2
- Root  
 imperfections, Table 341.3.2, Fig. 341.3.2, Table K341.3.2  
 opening, 300.2, Figs. 328.4.2, 328.4.3, and 328.4.4  
 penetration, 328.5.4, Table 341.3.2, Fig. 341.3.2, Table K341.3.2  
 spacing (*see* welding preparation)
- RPM (*see* reinforced plastic mortar)
- RTR (*see* reinforced thermosetting resin)
- Run (pipe), 304.3, 319.2.2, 319.4.1, 319.4.4, 328.5.4, App. H (*see also* header)
- Saddle, 321.3.1, A306.5.2, A328.5.3, A328.5.4, A328.5.5, A328.5.6 (*see also* reinforcing ring)
- Safeguarding, safeguards, 300(d), 300.2, 305.2.2, 308.2.4, 313, Table 314.2.1, 314.2.2, 315.2, 317.2, 318.2.3, 323.4.2, A323.4.1, A323.4.2, M300(d), FA323.4, App. G
- Safety relief (*see* pressure relieving)
- Scope of Code, 300.1  
 diagram of scope, Fig. 300.1.1
- Seal bond, 300.2, A311.2.4, A328.7
- Seal weld, 300.2, 311.2.6, 314.1, 328.5.3, 331.1.3, 335.3.2, K311.2.6
- Sensitive leak test, 345.8, 345.9.3, M345.1, K345.1
- Separator, 307, M307, K307
- Set Pressure, 322.6.3
- Severe cyclic conditions, 300(d), 300.2, 305.2.3, 306.1.4, 306.2.3, 306.3.3, 306.4.3, 306.5.2, 308.2.1, 308.2.4, 309.2.4, 311.2.2, 311.2.3, 314.1, 317.2, 318.2.2, 323.4.2, Table 341.3.2, 341.4.3, A300(e), M300(e), K302
- Shear, allowable stress, 302.3.1, K302.3.1
- Shear test, 323.4.3
- Shielding of piping, G300.3
- Shock, hydraulic, 301.5.1, 315.1, 321.1, A302.1, A304.7.2, A323.4.1, K304.7.2  
 thermal, A302.1, A304.7.2, A323.4.2, A335.8.1
- Size of weld, 300.2, Fig. 328.5.2, 328.5.4, Fig. 328.5.4, 328.5.5, Fig. 328.5.5
- Slag, 300.2, Tables 341.3.2 and K341.3.2
- Sliding supports, 321.2.2
- Slip-on flanges (*see* flanges)
- Snow loads, 301.6.1, 321.1
- Socket weld, 311.2.4, 311.2.5, 328.5.2, Fig. 328.5.2, 331.1.3, Table 341.3.2, 341.4.3, M311.1, K311.2.3
- Soldered joints, 317, 325, 333, M317, K317.1, K333, F323.1
- Soldering, 300.2, 333
- Solvent cemented joints, A328.5.3
- Spacing (*see* welding preparation)
- Special joints, 318, 335.6, A318, A335.6, M318, M335.6, K318, K335.4
- Special testing, 345.7, 345.8, 345.9



- Specifications (*see also* standards)  
 indexes to, Apps. A, B, and K  
 listed, 302.2.1, 302.2.2, 323.1.1  
 referenced, Apps. A, B, E, and K  
 unlisted, 302.2.3, 323.1.2
- Spiral (helical seam) weld (*see* longitudinal joint)
- Spot radiography, Table 302.3.4, 341.5.1, 344.5.2
- Spring support, 321.2.3
- Squirm (bellows expansion joint), X302.2.3
- Stainless steel, Tables A-1, A-1A, A-1B, A-2, C-1, C-3, and C-6, F323.4
- Standards (*see also* specifications)  
 component, 302.2.1, 302.2.2, 302.2.3, 303, 326, A326, M326, K326  
 dimensional, 326.1, M326.1  
 rating, 302.2.1, 303, 326.2  
 referenced, Tables 326.1, A326.1, K326.1, App. E  
 unlisted, 302.2.3
- Static sparking, A335.2.5
- Status of Appendices, 300(f), 300.4
- Steam piping coverage, 300.1.1, 300.1.3, Fig. 300.1.1
- Steel, other than stainless, Tables A-1, A-1A, A-1B, A-2, C-1, C-3, and C-6, F323.4
- Stiffening, pipe under external pressure, 304.1.3
- Stop valves, 322.6.1, F332.6
- Straight threads, 314.2.2, 335.3.3, M314.2.2, M335.3.3, K314.3.2, K341.4.1
- Strainer, 307, M307, K307
- Strains (*see* displacement strains)
- Strength of branch connections, 304.3.2, A304.3.2, K304.3
- Stress amplitude (alternating), K304.8.2, K304.8.3
- Stress analysis, 319.4, 321.1.3, 345.9.2, A319.4, M319.4, K319  
 experimental, 304.7.2  
 fatigue, K304.8  
 rigorous, 319.4.1, M319.4, K319  
 simplified, 319.4.1, 319.4.2, M319.4
- Stress evaluation, K304.8.4
- Stress intensification factor, 319.3.6, 319.4.4, App. D
- Stress range reduction factor, 302.3.5, Table 302.3.5
- Stresses  
 allowable, 302.3.1, A302.3.1, K302.3.1, Apps. A, B, and K  
 analysis (*see* stress analysis)  
 bases, 302.3, A302.3, M302.3.2, K302.3.2  
 bolt design, 302.3.2(a), Table A-2  
 design (nonmetals), A302.3, App. B  
 displacement, 319.2.2, A319.2.2  
 displacement range, 302.3.5, 319.1, 319.3.4, K302.3.5  
 allowable, 302.3.5, K302.3.5  
 computed, 319.4.4  
 flexibility, 319.2.2, 319.4.4, A319.2.2  
 limits, 302.3.1, 302.3.5, 302.3.6, 321.1.3, A302.3.1, A302.3.3, A302.3.4, K302.3.1, K302.3.5, K302.3.6  
 longitudinal, 302.3.5, K302.3.5
- Stresses (Cont'd)  
 occasional loads, 302.2.4, 302.3.6, A302.2.4, A302.3.4, M302.2.4, MA302.2.4, K302.2.4, K302.3.6  
 pressure, 304, A304, M304, MA304, K304  
 sustained loads, 302.3.5, A302.3.3, K302.3.5  
 tabulated, Tables A-1, A-2, B-1, and K-1  
 terms, defined, 300.2
- Structural attachments, 321.3  
 definition (*see* pipe-supporting elements)
- Structural connections, 321.4
- Structures, support, 321.4 (*see also* piping. def.)
- Sulfur compounds, effects, F323.4
- Supplementary examination, 341.5, A341.5, K341.5
- Supports, 321, A321, M321, K321  
 anchors, 319.5.1, 319.7, 321.2.1, A319.7  
 attachments, 311.2.5, 321.3, 328.5.2, 331.1.3, Tables 341.3.2 and K341.3.2  
 brackets, 321.3.2  
 brittle piping, A321.5.3  
 constant weight, 321.2.3  
 counterweight, 321.2.4  
 definitions (*see* pipe-supporting elements)  
 design, 321.1, A321.5, K321  
 fixtures, 321.2  
 guides, 321.2.1  
 hangers, 321.2.2, 321.3.1  
 hydraulic, 321.2.5  
 inextensible, 321.2.2  
 loads, 321.1  
 materials, 321.1.4, M321.1.4  
 movements, 301.8, 319.2.1  
 nonmetals, A321.5  
 resilient, 321.2.3  
 sliding, 321.2.2  
 spring, 321.2.3  
 structure, 321.4 (*see also* piping, def.)  
 threads for, 321.1.5
- Surface texture/finish, Tables 326.1, 341.3.2, K341.3.2
- Sustained loads, 302.3.5, A302.3.3, K302.3.5
- Swivel joints, 319.7, A319.7
- Symbols, 300.3, App. J (*see also* abbreviations, nonmetals)
- System, piping  
 definition, 300.2
- Systems (specific), design, 322, M322, K322
- Tack welds, 300.2, 328.5.1, K328.5.1
- Tank farm piping, 300.1.1, Fig. 300.1.1
- Tantalum, F323.4
- Taper threads, 314.2.1, 335.3, A314.2.1, M314.2.1, M335.3.4, K314.3.1, K344.4.1
- Tapped bolt holes, 309.3, A309.3
- Tees, 304.3, 319.4.4, A304.3.2 (*see also* branches and fittings)

- Temperature  
 cycles, 302.3.5, 319.2.3, K304.8.1  
 design (*see* design temperature)  
 gradients, 301.7.2, K304.7.2, F301.7  
 limits, limitations, 323.2, A323.2.2, Table A323.4.3, M323.2, K323.2  
 minimum (*see* design minimum temperature)
- Test, 345, A345, M345, K345  
 assembly, A328.2.5  
 joint, 328.2.2, K328.2.1  
 loads, 302.3.6, 321.1, K302.3.6  
 records, 345.2.7  
 requirements, 323.4.3, 328.2.2, 345.1, K328.2.1, K345.1  
 stresses, 302.3.6, 345.2.1, A302.3.4
- Test,  
 alternative, 345.9, K345.1  
 burst, A328.2.5(b)  
 hardness, 331.1.7, 341.5.2  
 hydrostatic, 345.1, 345.4, A328.2.5(c), A345.1, A345.4, K345.1, K345.4  
 impact, Table 323.2.2, 323.3, Table 323.3.1, K323.3, Table K323.3.1, F323.4  
 leak, 345.1, A345.1, K345.1  
 performance, A304.7.2, K304.7.2  
 pneumatic, 341.4.1, 345.1, 345.5, K345.1  
 pressure, 345, K345  
 proof, 304.7.2  
 qualification, 328.2.1, A328.2.5, K328.2.1  
 sensitive leak, 345.8, M345, K345.1  
 shear, 323.4.3  
 toughness (*see* impact)
- Thermal  
 analysis (*see* flexibility analysis)  
 cycling, 301.10, 302.3.5, 319.2, A319.2, K302.3.5, K304.8  
 gradients, 301.7.2, K304.7.2, F301.7
- Thermal expansion  
 coefficients, 319.3.1, A319.3.1, App. C  
 data, App. C  
 differential, 301.7.3  
 effects (*see* expansion effects)  
 of fluids, 301.4.2  
 of piping, 301.7, 319, A319, M319, K319  
 relief, 301.2.2  
 stresses, 319.2.2, 319.4, A319.2.2
- Thermally induced loads, 301.7, F301.7
- Thermoplastics  
 bonding, A328.5.1, A328.5.2, A328.5.3, A328.5.4  
 definition, 300.2  
 design stresses, A302.3.2, App. B  
 fluid service requirements, A314.2.1, A323.4.2  
 precautions, FA323.4
- Thermosetting resin, (including RPM, RTR)  
 definition, 300.2
- Thickness  
 allowances, 302.4, 304.1.1, 304.4.1, 304.5.2, 304.5.3, A304.1.1, K304.1.1, K304.5.2  
 effect on heat treatment, 331.1.3, K331.1.3
- Threaded joints  
 assembly, 335.3, 341.4.1, 341.4.3, A335.3, M335.3, K341.4.1  
 fluid service requirements, 314, A314, M314, MA314.1, K314  
 seal bonds, A311.2.4, A328.6, A335.3.2  
 seal welds, 311.2.6, 314.1, 328.5.3, 335.3.2, K311.2.6, K335.6
- Threads  
 allowance, 302.4, 304.1.1, A304.1.1, K304.1.1  
 compound, 314.1, 325, 335.3.1, 335.3.2, A335.3.2  
 condition of, M335.3.4, K341.4.1  
 for supports, 321.1.5  
 lubricant, 325, 335.3.1, A314.2.1  
 sealant, A314.2.1, A335.3.2, A335.3.5  
 standards, Tables 326.1, A326.1, and K326.1
- Tie rods, 319.7, A319.7
- Tin  
 effects, F323.4  
 fluid service requirements, 323.4.2
- Titanium, Tables A-1 and A-1B, F323.4
- Tolerances, 328.4.3, Figs. 328.4.3 and 328.4.4, A328.2.1
- Torque, bolting (*see* bolting torque)
- Toughness, 301.9 (*see also* impact test)  
 requirements, 314.2.1, 323.2.2, 323.3, K323.2.2, K323.3
- Transmission pipelines, 300.1.3, Fig. 300.1.1
- Trap, 307, K307
- Tubing joints, 315, 335.4, A315, A335.4, M315, M335.4, K315
- Tungsten inclusion, Table 341.3.2
- Two-phase flow, 301.7.2, F301.7
- Ultrasonic examination, Table 302.3.3C, 341.4.1, 341.4.3, 344.6, K305.1, K341.4.1, K344.6
- Unbalanced piping system, 319.2.2, 319.7, A319.2.2, A319.7
- Uninsulated piping, 301.3.2
- Unknown materials, 321.1.4, 323.1.3, M323.1.3, K323.1.3
- Unlisted  
 components (*see* components, unlisted)  
 joints, 315.3, 318.1.2  
 materials, 323.1.2
- Unstable fluids, 300(c), F323(a)
- Used materials, 323.1.4, A323.1.4, M323.1.4, K323.1.4
- Valve packing, 300(c), 325, F307, F323.1
- Valves  
 fluid service requirements, 302.2.5, 307, 323.4.2, A302.2.5, M302.2.5, M307, K307, F307  
 heat treatment, 328.5.1  
 relief, 301.2.2, 322.6.3 (*see also* device)  
 stop, 322.6.1, F322.6

- Variations, pressure–temperature (*see* allowances for)
- Vent (piping) (*see* pressure relief piping)
- Venting (welds), 328.5.4, F308.2
- Vibration effects, 301.5.4, 304.7.2, 313, 315.1, 321.1, A304.7.2, A323.4.1, M301.5.4, K301.5.4, K304.7.2
- Visual examination, 302.3.3, Table 341.3.2, 341.4, 344.2, Table K341.3.2, K341.4.1
- Wall thickness  
 allowance, 302.4, 304.1.1, A304.1.1, K304.1.1  
 governing, 331.1.1, K331.1.1  
 pressure design, 304, A304, K304  
 thinner component  $\bar{T}_{tw}$ , Table 341.3.2, 344.6.2, Table K341.3.2, App. J
- Water hammer, 301.5.1
- Water piping coverage, 300.1.1, 300.1.3
- Weight loads, 301.6, 321.1
- Weld (*see also* welded joints; welds; welding)  
 definition, 300.2  
 fluid service limitations, 311, A318.3, M311, K311  
 hardness limits, 331.1.7  
 identification, 328.5.1  
 quality assurance, required, 319.4.5  
 quality factor  $E_j$ , 302.3.4, Tables 302.3.4 and A-1B, K302.3.4  
 reinforcement (excess thickness), 300.2, Table 341.3.2, Fig. 341.3.2, Table K341.3.2  
 size, 300.2, Figs. 328.5.2, 328.5.4, and 328.5.5
- Welded joints  
 acceptance criteria (imperfections), Table 341.3.2, Fig. 341.3.2, Table K341.3.2  
 fabrication, 328, A328.5.2, A329, M328, K328  
 fluid service requirements, 311, A318.3, M311, K311
- Welder, 300.2, 328.2, A329.1.2, K328.2
- Welding  
 alignment, 328.4.3, K328.4.3  
 environment, 328.5.1  
 heat treatment, 331, M331, K331  
 hot gas, A328.5.2  
 imperfections (*see* welded joints)  
 interrupted (*see* interrupted welding)  
 materials, 328.3, M328.3, K328.3  
 neck flanges (*see* flanges)  
 nonmetallic lined pipe, A318.3, A329
- Welding (Cont'd)  
 of aluminum, 323.4.2  
 of metals, 328, K328  
 operator, 300.2, 328.2, A329.1.2, K328.2  
 outlet fittings, 304.3.1, 304.4.2, 306.1.2, M304.3.2  
 preheating, 330, Table 330.1.1, K330  
 preparation, 328.4, K328.4  
 procedures, 300.2, 328.2, A329.1.2, K328.2  
 qualification, 328.2, A329.1.2, K328.2  
 quality assurance, 319.4.5, 341.3  
 records, 328.2.4, K328.2.4  
 repair, Table 302.3.3C, 328.6, 341.3.3, A329.1.2, K328.6, K341.3.3  
 requirements, 328.5, A329, K328.5  
 responsibility, 328.1, K328.1  
 spacing, 328.4.3
- Welds  
 branch, 328.4.3, Fig. 328.4.4, 328.5.4, Fig. 328.5.4, K328.4.3, K328.5.4, Fig. K328.5.4  
 circumferential, 328.4.2, 328.4.3, 328.5.1, K328.4.2, K328.4.3, K328.5.1  
 closure, 345.2.3(c)  
 dissimilar metals, 331.2.3  
 fillet (*see* fillet weld)  
 laps (*see* fabricated laps)  
 longitudinal (*see* longitudinal joints)  
 miter, 328.4.3  
 seal, 328.5.3  
 socket, 328.5.2, Fig. 328.5.2C  
 tack, 328.5.1, K328.5.1
- Wind loads, 301.5.2, 302.3.6, 321.1, A302.3.4, K302.3.6
- Wrapped (*see* butt-and-wrapped)
- X-ray examination (*see* radiography)
- Young's modulus, 319.3.2, A319.3.2, App. C, App. D
- Y-values (for metal pipe), 304.1.1, Table 304.1.1
- Zinc  
 coatings, K323.4.2  
 effects, F323.4
- Zirconium and zirconium alloys, F323.4

## NOTES FOR INDEX

GENERAL NOTES:

- (a) Reference is not made to a paragraph that merely states that a previous paragraph applies.  
 (b) To locate references with letter prefix:

Prefix	Location	Prefix	Location	Prefix	Location
A*	Chapter VII	G	App. G	M	Chapter VIII
B	App. B	H	App. H	MA	Chapter VIII
C	App. C	K	Chapter IX, App. K	X	Appendix X
D	App. D				
F	App. F				

\*For Tables A-1, A-1A, A-1B, A-1M, A-2, and A-2M, see Appendix A.

# **ASME B31.3 INTERPRETATIONS VOLUME 23**

**Replies to Technical Inquiries  
April 23, 2010 through September 27, 2011**

## **GENERAL INFORMATION**

It has been agreed to publish interpretations issued by the B31 Committee concerning B31.3 as part of the update service to the Code. The interpretations have been assigned numbers in chronological order. Each interpretation applies to the Edition stated in the interpretation, or if none is stated, to the Edition in effect on the date of issuance of the interpretation. Subsequent revisions to the Code may have superseded the reply.

These replies are taken verbatim from the original letters, except for a few typographical and editorial corrections made for the purpose of improved clarity. In some instances, a review of the interpretation revealed a need for corrections of a technical nature. In these cases, a revised reply bearing the original interpretation number with the suffix R is presented. In the case where an interpretation is corrected by errata, the original interpretation number with the suffix E is used.

ASME procedures provide for reconsideration of these interpretations when or if additional information is available which the inquirer believes might affect the interpretation. Further, persons aggrieved by an interpretation may appeal to the cognizant ASME committee or subcommittee. As stated in the Statement of Policy in the Code documents, ASME does not “approve,” “certify,” “rate,” or “endorse” any item, construction, proprietary device, or activity.

For detailed instructions on preparation of technical inquiries to the B31 Committee, refer to Appendix Z.

## **NUMERICAL AND SUBJECT INDEXES**

Numerical and Subject Indexes have been prepared to assist the user in locating interpretations by location or by subject matter in the Code. They cover interpretations issued from Volume 1 up to and including the present volume, and will be updated with each volume.

**B31.3**

<u>Subject</u>	<u>Interpretation</u>	<u>File No.</u>
Para. 301.3.2, Fluid Temperature .....	23-06	10-540
Para. 304.1, Wall Thickness .....	23-16	11-445
Para. 304.3.3, Reinforcement of Welded Branch Connections .....	23-18	11-847
Para. 304.7.2, Application of a Detailed Stress Analysis Performed Using a Numerical Method .....	23-07	10-542
Para. 304.7.2, Unlisted Components .....	23-03	10-535
Para. 319.4.3, Basic Assumptions and Requirements .....	23-04	10-537
Para. 323.2.2, Reference to Table A-1 .....	23-08	10-702
Para. 323.2.2, Reference to Table A-1 .....	23-12	10-1503
Para. 323.2.2 and Fig. 323.2.2B, Lower Temperature Limits for Listed Materials .....	20-13R	11-448
Para. 331, Review of Interpretations 20-39 and 21-46 .....	21-46R	11-16
Para. 345, Leak Testing of Piping Components .....	23-14	11-17
Para. 345.1(b), Required Leak Test and Para. 304.7.2, Unlisted Components .....	23-05	10-538
Para. 345.1(d), Pressure Test Exemption for Vents and Drains .....	23-20	11-1539
Paras. 345.2.4 and 345.2.5, External Differential Pressure .....	23-17	11-578
Para. 345.5.2, Pressure Relief Device .....	23-11	10-1502
Para. 345.5.5, Pressure Testing .....	23-15	11-444
Table 302.3.3C, Casting Quality Factor .....	23-10	10-1501
Table 323.2.2, Impact Testing .....	23-13	10-1560
Table 323.2.2, Stress Ratio Figure .....	23-01	10-533
Table 341.3.2, Partial Joint Penetration Welds .....	23-02	10-534
Tables A-1 and A-3, Allowable Stress Values .....	23-19	11-1075
Table A-1B, Electric Fusion Welded Tube .....	23-09	10-1500

**Interpretation 20-13R**

Subject: ASME B31.3-2002 through B31.3-2010, Para. 323.2.2 and Fig. 323.2.2B, Lower Temperature Limits for Listed Materials

Date Issued: April 12, 2011

File: 11-448

Question (1): Does ASME B31.3, Fig. 323.2.2B, provide a basis for the use of impact-tested carbon steels at a minimum design metal temperature (MDMT) colder than the impact test temperature, provided the stress ratio defined in Fig. 323.2.2B is less than 1 but greater than 0.3, and the MDMT is not colder than  $-48^{\circ}\text{C}$  ( $-55^{\circ}\text{F}$ )?

Reply (1): Yes.

Question (2): Does ASME B31.3, Fig. 323.2.2B, provide a basis for the use of impact-tested carbon steels at a minimum design metal temperature (MDMT) colder than the impact test temperature, provided the stress ratio defined in Fig. 323.2.2B is less than 1 but greater than 0.3, and the MDMT is colder than  $-48^{\circ}\text{C}$  ( $-55^{\circ}\text{F}$ )?

Reply (2): No.

Question (3): Does ASME B31.3, Table 323.2.2, Note (3), provide a basis for the use of impact-tested carbon steels at a minimum design metal temperature (MDMT) colder than the impact test temperature, provided the stress ratio defined in Fig. 323.2.2B is equal to or less than 0.3 when the MDMT is colder than  $-48^{\circ}\text{C}$  ( $-55^{\circ}\text{F}$ )?

Reply (3): Yes.

Question (4): Does ASME B31.3 permit Fig. 323.2.2B to be used to provide a basis for the use of impact-tested duplex stainless steels, UNS S31803, impact tested at  $-51^{\circ}\text{C}$  ( $-60^{\circ}\text{F}$ ), in the same manner as described in question (1)?

Reply (4): No.

**Interpretation 21-46R**

Subject: ASME B31.3-2008, Para. 331, Review of Interpretations 20-39 and 21-46

Date Issued: April 12, 2011

File: 11-16

Question (1): Does ASME B31.3 require both circumferential and longitudinal welds made by the pipe manufacturer of API 5L double submerged arc welded (DSAW) pipe to be heat treated in accordance with para. 331?

Reply (1): No.

Question (2): Does ASME B31.3 require both circumferential and longitudinal welds made by the piping fabricator on API 5L double submerged arc welded (DSAW) marked pipe to be heat treated in accordance with para. 331?

Reply (2): Yes.

**Interpretation 23-01**

Subject: ASME B31.3-2008, Table 323.2.2, Stress Ratio Figure

Date Issued: April 23, 2010

File: 10-533

Question (1): Does the Code provide rules for the use of duplex stainless steel material (UNS S31803) with a lower design temperature than  $-60^{\circ}\text{F}$  ( $-51^{\circ}\text{C}$ ) under certain conditions with limitations?

Reply (1): Yes; see para. 323.2.2(c).

Question (2): Are the provisions described in Note (3) of Table 323.2.2 also applicable for duplex stainless steel material?

Reply (2): Yes.

**Interpretation 23-02**

Subject: ASME B31.3-2008, Table 341.3.2, Partial Joint Penetration Welds

Date Issued: April 23, 2010

File: 10-534

Question: Does para. 300(c)(3) allow partial joint penetration welds if a more rigorous analysis addressing the design, construction, examination, inspection, and testing details is documented in the engineering design and accepted by the owner?

Reply: Yes. Note that requirements for Code rules that are not applicable as written to such construction, such as examination and fatigue design, need to be addressed. See also Interpretation 16-12.

**Interpretation 23-03**

Subject: ASME B31.3-2008, Para. 304.7.2, Unlisted Components

Date Issued: April 23, 2010

File: 10-535

Question: Does para. 304.7.2(c) address product form and material type when proof testing in accordance with ASME B16.9; MSS SP-97; or Section VIII, Division 1, UG-101?

Reply: No.

**Interpretation 23-04**

Subject: ASME B31.3-2008, Para. 319.4.3, Basic Assumptions and Requirements

Date Issued: April 23, 2010

File: 10-537

Question: Does the Code address how the effects of friction are to be included in earthquake analyses?

Reply: No.



**Interpretation 23-05**

Subject: ASME B31.3-2008, Para. 345.1(b), Required Leak Test and Para. 304.7.2, Unlisted Components

Date Issued: April 23, 2010

File: 10-538

Question: Does the Code address alternate methods of proof testing other than those listed in para. 304.7.2(c)?

Reply: No.

**Interpretation 23-06**

Subject: ASME B31.3-2008, Para. 301.3.2, Fluid Temperature

Date Issued: April 23, 2010

File: 10-540

Question (1): Does the Code define "fluid temperature" in para. 301.3.2 as "design temperature"?

Reply (1): No.

Question (2): Does the Code permit "fluid temperature" in para. 301.3.2 to be understood as "operating temperature"?

Reply (2): The Code does not define operating temperature.

**Interpretation 23-07**

Subject: ASME B31.3-2008, Para. 304.7.2, Application of a Detailed Stress Analysis Performed Using a Numerical Method

Date Issued: April 23, 2010

File: 10-542

Question: If the designer performs a finite element method evaluation of an unlisted component that is accepted by the owner in accordance with para. 300(c)(3), is the designer required to perform the calculation to be substantiated in accordance with para. 304.7.2?

Reply: Yes.

**Interpretation 23-08**

Subject: ASME B31.3-2008, Para. 323.2.2, Reference to Table A-1

Date Issued: April 23, 2010

File: 10-702

Question (1): When a welding procedure specification (WPS) has been qualified, including impact testing, for an austenitic stainless steel plate that has a design minimum temperature below the minimum temperature given in Table A-1, does the Code require production welds to be impact tested?

Reply (1): No.

Question (2): When a welding procedure specification (WPS) has been qualified, including impact testing, for an austenitic stainless steel plate that has a design minimum temperature below the minimum temperature given in Table A-1, does the Code require the plate material to be impact tested?

Reply (2): Yes.

**Interpretation 23-09**

Subject: ASME B31.3-2008, Table A-1B, Electric Fusion Welded Tube

Date Issued: October 1, 2010

File: 10-1500

Question: May the values for longitudinal weld joint quality factor,  $E_j$ , listed in Table A-1B, with further supplemental radiography per Table 302.3.4, be used to determine design requirements for electric fusion welded pipe, in which the weld is made with filler metal?

Reply: Yes.

**Interpretation 23-10**

Subject: ASME B31.3-2008, Table 302.3.3C, Casting Quality Factor

Date Issued: October 1, 2010

File: 10-1501

Question: If a fully machined exterior (250 rms or finer) and pull bored interior (125 rms or finer) surfaced centrifugal cast tube section is fully liquid penetrant examined in accordance with ASTM E165 and judged acceptable per Table 1 of MSS SP-53 using ASTM E125 as a reference for surface flaws per Note (2) of ASME B31.3, Table 302.3.3C over its entire exterior surface and up to one diameter on the interior surface of each end, does the Code permit the use of an increased casting quality factor,  $E_c$ , of 0.90?

Reply: No. To increase the casting quality factor, all surfaces shall be examined; see Note (2)(b) of Table 302.3.3C.

**Interpretation 23-11**

Subject: ASME B31.3-2008, Para. 345.5.2, Pressure Relief Device

Date Issued: October 1, 2010

File: 10-1502

Question: Does ASME B31.3-2008 require that the pressure relief device described in para. 345.5.2 comply with para. 322.6.3(a)?

Reply: No, unless the pressure relief device is a permanent component of the piping system being tested.

**Interpretation 23-12**

Subject: ASME B31.3-2008, Para. 323.2.2 Reference to Table A-1

Date Issued: October 1, 2010

File: 10-1503

Question (1): Does ASME B31.3-2008 reference ASME B31E, Standard for the Seismic Design and Retrofit of Above-Ground Piping Systems, as an alternative to the requirements in para. 302.3.6?

Reply (1): No.

Question (2): Does ASME B31.3-2008 allow an alternative to the requirements in para. 302.3.6 for seismic design of above-ground piping?

Reply (2): Yes; see para. 300(c)(3).

**Interpretation 23-13**

Subject: ASME B31.3-2008, Table 323.2.2, Impact Testing

Date Issued: October 1, 2010

File: 10-1560

Question (1): Do Table 323.2.2 boxes A-3(b) and A-4(b) exclude HAZ impact testing?

Reply (1): No.

Question (2): Does the code permit the weld deposit impact testing exemptions of Table 323.2.2 box A-3(b) for joining ASTM A333, A334, A350, A352, and A420?

Reply (2): No.

**Interpretation 23-14**

Subject: ASME B31.3-2008, Para. 345, Leak Testing of Piping Components

Date Issued: April 12, 2011

File: 11-17

Question: Does ASME B31.3-2008 require listed piping components, including valves, to be leak tested in accordance with para. 345?

Reply: No. See para. 326.3.

**Interpretation 23-15**

Subject: ASME B31.3-2008, Para. 345.5.5, Pressure Testing

Date Issued: April 12, 2011

File: 11-444

Question: Does ASME B31.3 require that a pneumatic leak test be maintained at the test pressure for at least 10 min?

Reply: Yes. See para. 345.2.2(a).

**Interpretation 23-16**

Subject: ASME B31.3-2008, Para. 304.1, Wall Thickness

Date Issued: April 12, 2011

File: 11-445

Question: Does ASME B31.3-2008 have an equation for pressure design thickness with straight pipe where  $t$  equals or exceeds one-sixth of the outside diameter of the pipe ( $D/6$ )?

Reply: No, except as provided in Chapter IX.

**Interpretation 23-17**

Subject: ASME B31.3-2008, Paras. 345.2.4 and 345.2.5, External Differential Pressure

Date Issued: April 12, 2011

File: 11-578

Question (1): In para. 345.2.4, Externally Pressured Piping, does the term "external differential pressure" mean maximum differential pressure between any coincident internal pressure and external pressure?

Reply (1): Yes. See para. 301.2.1(d).

Question (2): Does para. 345.2.5, Jacketed Piping, require separate leak tests for both internal line and jacket?

Reply (2): Yes.

**Interpretation 23-18**

Subject: ASME B31.3-2010, Para. 304.3.3, Reinforcement of Welded Branch Connections

Date Issued: September 27, 2011

File: 11-847

Question: In accordance with ASME B31.3-2010, do the equations for  $A_3$  and  $A_4$  in para. 304.3.3(c) apply to branch connections other than the configuration shown in Fig. 304.3.3?

Reply: No; however, see para. 304.3.1.

**Interpretation 23-19**

Subject: ASME B31.3-2010, Tables A-1 and A-3, Allowable Stress Values

Date Issued: September 27, 2011

File: 11-1075

Question (1): Does ASME B31.3-2010 require the use of allowable stresses shown in Table A-1?

Reply (1): Yes.

Question (2): Does ASME B31.3-2010 require the use of allowable stresses shown in Table A-3?

Reply (2): No. See Appendix A, General Note (c).

Question (3): Based on ASME B31.3-2010, para. 302.3.2, Bases for Design Stresses, footnote 2, may the designer use the stress values in ASME BPV Code Section II, Part D, Tables 2A, 2B, and 3 for stresses at temperatures below the creep range instead of the allowable stresses in ASME B31.3-2010, Tables A-1, A-2, and A-3, respectively?

Reply (3): No.

Question (4): Based on ASME B31.3-2010, para. 302.3.2, footnote 2, may the designer use the stress values in ASME BPV Code Section II, Part D, Tables 1A and 1B for stresses at temperatures in the creep range instead of the allowable stresses in ASME B31.3-2010, Tables A-1, A-2, and A-3, respectively?

Reply (4): No.

**Interpretation 23-20**

Subject: ASME B31.3-2010, Para. 345.1(d), Pressure Test Exemption for Vents and Drains

Date Issued: September 27, 2011

File: 11-1539

Question (1): For Normal Fluid Service or Category D Fluid Service, does ASME B31.3-2010, para. 345.1(d), exempt leak testing for all drain or vent lines open to the atmosphere?

Reply (1): Yes, unless otherwise specified in the engineering design.

Question (2): Does the statement in ASME B31.3-2010, para. 345.1(d), of "such as vents or drains downstream of the last shutoff valve" mean that this is the only configuration open to the atmosphere exempt from leak testing by this paragraph?

Reply (2): No.

# NUMERICAL INDEX

Code references are based on ASME B31.3-1990 or later editions. References in brackets are to previous editions and addenda.

Reference	Interpretation	Reference	Interpretation	Reference	Interpretation
Introduction	1-3	Fig. 300.1.1	1-8	301.3	2-3
	1-6		1-19		17-07
	1-7		2-26		22-06
	13-04		7-10	301.3.1	10-02
	20-08		8-17		21-47
300	7-10		22-39	301.3.2	4-11
	8-17	300.1.3 [300.1.4]	1-8		23-06
	19-11		1-16	301.5.3	4-07
300(b)	1-26		1-19	301.7.2	3-4
	1-32		1-26	301.10	22-04
	4-08		3-2	302	1-32
	5-03		15-09		19-03
	8-09	300.1.3(d)	10-05	302.2	1-50
	10-11		21-22	302.2.1	16-18
	13-14	300.2		302.2.2	17-11
300(c) [300(e)]	1-3	Category D Design	22-06		19-02
	1-6	Temperature		302.2.3	19-19
	1-7	Category D Fluid	4-13	302.2.4 [302.2.3]	1-3
	3-2	Service			1-32
	3-4		5-03		2-14
	4-10		6-01		3-4
	6-03R (Vol. 7)		19-34		4-11
	7-05	Category M Fluid	1-40		7-01
	8-30	Service			7-04
	13-02		1-73		8-04
	16-12		6-01		14-09
	18-09		8-09		17-12
	19-31		9-02		20-03
	19-48	flammable	21-25		20-22
	20-03	notch-sensitive	2-22		20-51
	20-20	owner	2-30		21-45
	20-38	pipng components	3-2		22-04
300(e)(3)	22-32		8-01		22-37
300.1	7-10		14-03		13-15
	8-17		17-23	302.2.5	20-25
	9-06		21-24	302.3	1-18
	12-20		22-41	302.3.2	1-38
	21-07	pipng system	1-30		2-16
	21-32		9-06		3-13
300.1.1	1-47	severe cyclic	5-12		8-25
	1-52	conditions			11-05
	2-26		8-09		16-04
	3-1	Table 300.4	20-23		19-37
	4-19	301	5-11		19-38
	6-01	301.1	20-40		23-10
	8-01	301.2	2-3	Table 302.3.3C	2-20
	9-02		7-01	302.3.4	17-14
	17-01	301.2.1	2-29		1-42
	22-34		13-15	Table 302.3.4	

ASME B31.3 — CUMULATIVE INDEX — INTERPRETATIONS VOLS. 1–23

Reference	Interpretation	Reference	Interpretation	Reference	Interpretation
Table 302.3.4 (Cont'd)		304.2	15-14	304.7.4	1-16
	1-78	304.2.1	21-13	305.1	22-43
	2-20	304.2.2	18-06	305.2	3-8
	3-11	304.2.3	1-22		3-9
	20-34		5-11	305.2.1	1-38
	21-06	Fig. 304.2.3	1-22	305.2.3	6-01
	21-37	304.3	1-21		7-03
	22-10		1-46		21-29
302.3.5	1-20		5-01	306.4	12-16
	1-50		6-09	306.4.2	11-03
	2-14	304.3.1	19-33	308.2.1	5-12
	2-15	304.3.2	4-05	308.2.4	5-12
	2-24	304.3.3	4-03	311.2.4	6-02
	3-4		7-02		6-05
	4-10		8-06	311.2.5	10-04
	4-12		8-37	312	9-07
	6-03R (Vol. 7)		11-10	314	20-48
	6-07		12-05	314.2.1	2-22
	7-04		14-10	Table 314.2.1	8-33
	7-05		15-05		11-16
	8-16		17-26	315.2	3-6
	15-15		21-39	315.3	3-6
	16-11		23-18	317.2	1-17
	17-04	Fig. 304.3.3	8-37	318	8-13
	17-18	304.3.4	1-21	318.2.2	19-45
	18-16		1-37	319.1.1	20-48
	20-02		1-55	319.2.1	2-17
	21-34		1-75		20-45
	22-07		2-27	319.2.3	7-04
Table 302.3.5	16-10	Fig. 304.3.4	1-70		7-05
	22-36	304.3.5	12-13		12-06
302.3.6	1-50	304.3.5(e)	22-20		18-13
	2-15	304.5	3-4	319.3.1	19-40
	2-16		9-07		21-09
	2-17		10-14	319.3.1(b)	15-24
	19-18		19-12		21-16
	20-02	304.5.1	8-18	319.3.2	21-26
	20-49		20-12	319.3.5	4-10
	20-50	304.5.1(b)	9-10	319.3.6	1-6
302.4	1-20	304.7.2	1-51		1-7
303	6-05		3-2		1-55
304.1	23-16		4-05		2-24
304.1.1	1-42		5-05		5-15
	1-54		5-11		13-05
	1-70		6-09		22-20
	13-07		10-07		9-01
	15-06		10-11	Table 319.3.6	1-33
	15-10		10-18	319.4.1	13-14
	16-14		12-09		23-04
	21-38		13-02	319.4.3	1-71
	22-21		13-03	319.4.4	2-7
	1-42		13-05		2-24
304.1.2	1-57		13-11		1-16
	1-68		19-29	319.7	7-05
	1-70		20-26		6-07
	2-11		20-37	321.1.1	1-49
	10-20		21-02	321.1.4	19-36
	21-13		21-34		21-41
	22-04		23-03		17-24
			23-07	322.3	

ASME B31.3 — CUMULATIVE INDEX — INTERPRETATIONS VOLS. 1–23

Reference	Interpretation	Reference	Interpretation	Reference	Interpretation
322.6.1	10-10	Table 323.2.2 [Table 323.2.1] (Cont'd)	18-12	328.2.3	15-19
322.6.3	12-18		20-31	328.4	18-08
	1-32		21-01	328.4.2 and Fig. 328.4.2	13-01
	2-21		21-43	328.4.3	12-10
	2-29		22-03	Fig. 328.4.4	14-04
	7-01		23-01		8-28
	12-04		23-13	328.5 [327.4]	9-08
	14-09		6-06	328.5.1 [327.4.1]	5-09
	22-30	323.2.4	1-76		5-17
323.1	19-28	323.3	5-13		22-25
323.1.1	8-19		20-14	328.5.2 [327.4.2]	22-35
	17-09R (Vol. 18)		22-01		5-12
323.1.2	19-41		1-12		16-06
	1-11	Table 323.3.1		Fig. 328.5.2 [Fig. 327.4.2]	19-20
	1-15	[Table 323.3.2]	1-76		1-28
	1-48		4-17		5-12
	2-1		5-19		6-02
	6-06		5-21		6-05
	8-07		8-29		8-27
	8-19		10-02		15-08
	11-03		11-12		19-16
	15-04		15-23	328.5.3	20-01
	17-01		20-10	328.5.4 [327.4.4]	20-05
	17-08		20-31		1-59
	19-27		21-18		1-74
	323.2	3-9		11-12	2-10
	323.2.1	1-13	323.3.2	8-30	4-03
	323.2.2	15-12	323.3.4	22-02	4-14
		15-25	Table 323.3.4	2-9	7-08
		19-07	323.3.5	5-14	8-13
19-21		Table 323.3.5	15-03	10-04	
19-35		323.4	10-01	13-11	
19-39		323.4.2	10-19	21-02	
19-47			1-11	22-22	
20-15		Table 326.1	1-51	Fig. 328.5.4 [Fig. 327.4.4]	
20-31			2-3	1-59	
23-08			8-07	1-74	
23-12			8-34	4-03	
323.2.2(d)		22-26		19-14	4-16
		22-44		22-05	7-08
323.2.2(f)		22-23		7-02	2-18
	14-08	328	12-12	8-21	
Fig. 323.2.2	20-13R (Vol. 23)		20-39	8-23	
	20-15		12-07	9-05	
	21-28	328.1	1-66	8-12	
	21-40	328.2 [327.5]	11-09	20-39	
Table 323.2.2 [Table 323.2.1]	1-12		14-13	21-46R (Vol. 23)	
	1-48		20-19	8-08	
	1-65	Fig. 328.2(b)	22-32	9-05	
	1-76	328.2.1 [327.5.1, 327.5.2]	4-17	14-01	
	2-19		8-29	19-15	
	3-8		19-22	1-69	
	4-01		20-19		
	4-15		20-43	Table 331.1.1 [Table 331.3.1]	
	14-12		20-19		
	15-11	328.2.2	14-05		
	15-16	328.2.2(g)	19-26		
	17-09R (Vol. 18)	328.2.2(i)			



ASME B31.3 — CUMULATIVE INDEX — INTERPRETATIONS VOLS. 1–23

Reference	Interpretation	Reference	Interpretation	Reference	Interpretation
Table 331.1.1 [Table 331.3.1] (Cont'd)		341.3.1 [336.5]	1-64	341.4 [336.5]	1-24
	20-44		2-4		1-45
	21-12		19-15		3-12
	21-19		21-48		5-20
331.1.2	8-05	341.3.2	8-32		11-01
331.1.3 [331.3.6]	1-39		21-44		21-23
	1-59		22-40		22-17
	4-06	Fig. 341.3.2 [Fig. 327.4.1]	5-09	341.4.1 [336.5.1]	1-10
	5-06		13-16		1-26
	9-03	Table 341.3.2	14-02		1-27
	11-06		14-07		1-60
	14-01		14-15		2-12
	15-18		16-07		2-28
	17-13		17-03		3-7
	17-21		17-22		3-12
	18-02		18-07		4-12
	19-24		20-16		5-10
	22-19		20-20		8-02
331.1.4 [331.1.2]	5-08		20-34		8-10
331.1.6 [331.3.4]	5-08		23-02		8-26
	16-09		1-1		10-03
331.1.7 [331.3.2]	1-78	[Table 327.4.1A]	1-9		10-17
	8-22		1-14		11-11
331.2	18-04		1-41		11-14
331.2.2 [331.1.1]	1-39		2-8		11-15
	1-78		5-04		18-14
331.3.4	8-05		5-13		19-05
331.3.7	8-05		5-16		19-42
332.1	8-03		5-17		20-09
	19-04		5-18		20-34
332.2 [329.1]	1-23		5-20	341.4.2	21-04
	1-53		6-04	341.4.3	8-38
	4-02		7-06		8-10
	8-20		8-32		20-09
332.2.2	16-08		8-38	341.5	8-38
332.4 [329.3, 330.2]	2-2	[Table 341.3.2A]	9-04	341.5.1 [336.6.1]	1-5
	19-04		11-08		3-12
332.4.2	11-03		11-14		20-34
	15-17		12-22	342	15-21
335.1.1	15-07		13-16	342.1 [336.4.1]	2-28
	17-25		14-14		21-05
335.2	2-5	341.3.3	22-33	343 [336.4.1]	2-28
335.2.3	17-20		1-62	344 [336.4]	5-09
	21-14		2-25		16-13
Fig. 335.3.3(a)	20-36	341.3.4 [336.5, 336.5.4]	2-32		18-11
340.2 [336.1.2]	1-26		3-5	344.1	20-42
340.3 [336.3]	1-10		3-14	344.2 [336.4.2]	13-12
	10-03		10-09		2-28
340.4 [336.2]	1-31		10-12		8-10
	17-15		11-02		8-26
	20-33		11-04		11-11
341	10-16		13-12		15-21
	15-13		16-01	344.2.1	18-17
	19-49		16-02	344.2.2	19-17
	21-17		16-05	344.5 [336.4.5]	21-20
341.1.4.1	21-20		18-01		1-10
341.2 [336.1.1, 336.1.3]	1-10				1-60
	1-26				2-12
	1-27				
	2-28				
	10-03				

ASME B31.3 — CUMULATIVE INDEX — INTERPRETATIONS VOLS. 1–23

Reference	Interpretation	Reference	Interpretation	Reference	Interpretation
344.5.1	20-34	345.3 [337.3]	2-6	A304.1.1	14-17
	20-41		3-10		14-18
	22-08		5-02	A304.5.1	1-67
344.6 [336.4.6]	1-60		12-03	A304.7.2	13-08
344.6.2	10-17	345.3.1	20-28	A305	11-17
344.7 [336.4.7]	2-28		22-09	A314	8-33
	3-14		22-27	A322.6	17-29
	12-01	345.3.4	22-14	A323.4.2	10-06
	19-17	345.4	8-04		11-18
344.7.1	11-11		19-25		21-30
	21-20		22-11		21-31
345 [337]	1-2	345.4.1	12-19	Table A326.1	20-30
	1-72	345.4.2 [337.4.1]	1-35	A327.2.4	7-09
	2-31		1-61	A328	21-15
	3-3		1-63	A328.2(a)	10-08
	8-31		2-23	A328.2.1	8-14
	16-03		4-04		18-05
	17-30		9-09	A328.2.5	17-06
	19-23		13-13	A328.5	8-14
	19-30		18-03		10-08
	19-49		19-10		13-08
	20-17	345.4.3 [337.4.2]	20-46	K300	20-09
	21-11	345.4.4 [337.4.4]	1-63	K300(a)	17-16
	23-14		1-35	K303	20-21
345.1 [337.1]	1-4		1-43	K304.1.2	11-21
	1-30		6-08		14-11
	4-04		11-07	K304.8	22-04
	6-08		13-06	K314.2	17-19
	8-15		19-32	K315	7-07
	12-21		22-11	K322.3	7-07
	20-24	345.5.1	23-15	K323.1.2	19-09
	21-36	345.5.2	22-14	K323.1.5	21-03
	22-14		11-19	Table K323.3.1	20-41
345.1(b)	23-05	345.5.4	23-11		21-18
345.1(d)	23-20		12-02	K323.3.5	21-27
345.2.2	8-31	345.7 [337.5.2]	20-46	Table K326.1	20-21
	20-46	345.8 [337.6]	1-36	K328.2.1(a)	17-27
	18-10		1-25	Fig. K328.5.4	8-37
	20-47		3-10	K341.4.2	20-09
	21-42		17-02	K346.2(b)	21-03
345.2.3	20-07		19-06	M305.1	12-15
	20-11	345.9 [337.5.1]	20-18	M307.2	8-35
	20-24		4-09	M313	21-21
	20-27		5-07	M314.2.2	20-36
345.2.3(a)	22-15		6-08	M322.3	2-13
	22-18		8-15		3-6
345.2.3(c)	21-10		10-15	M323.1.3	3-7
	22-16		12-01	M326	2-13
345.2.3(i)	17-28		12-21	M335.3.3	20-36
	20-37		15-02	M335.4 [M335.5, M335.6]	3-6
345.2.4 [337.4.3]	1-35		17-05	M341.4 [M336.5]	1-24
	23-17		17-10		1-45
345.2.5	19-44	345.9.1	18-15		20-09
345.2.6 [337.1]	1-2		20-18	M341.4.1 [M336.5.1]	2-28
	5-22	A302.2.3	20-06		3-7
	19-23	A302.2.4	20-43	M345	20-47
	20-06	A304	20-30	M345.1	6-08
			21-33	MA306.5	9-02
			8-14	MA313	21-21

ASME B31.3 — CUMULATIVE INDEX — INTERPRETATIONS VOLS. 1–23

Reference	Interpretation	Reference	Interpretation	Reference	Interpretation
MA323.4	9-02	Table A-1 [Table 1] (Cont'd)	20-29	Appendix E	1-44
	19-08		20-32	[Appendix K]	5-10
MA323.4.2	8-35		21-28		19-20
Appendix A Notes (no equivalent) [(14)]	2-20		22-12	Appendix F [F323.2]	1-29
Note (17)	4-18		22-28	Appendix F, F323	20-20
Note (20) [(30)]	1-77		22-42	Appendix F, FA323.4	20-30
Note (57) [(2)]	1-58		23-19	Appendix G	5-12
Appendix A		Table A-1B [Table 1]	1-78	Appendix H	8-06
Table A-1 [Table 1]	1-13		2-20		11-10
	1-18		4-18	Appendix J	1-28
	1-29		7-03		1-54
	1-38		23-09		1-75
	1-48	Appendix B	19-13		5-04
	1-77	Table B-1	22-38	Appendix M	6-01
	2-1	Appendix D	1-6		8-09
	3-8		1-7		20-23
	3-9		1-34	Appendix P	22-07
	3-13		1-46	Appendix V	17-17
	4-12		1-55	Appendix X, X3.1.3	12-23
	4-13		1-56	Appendix X, X3.2.2	13-09
	6-01		1-71	Appendix X, X302.2.3	15-22
	6-06		2-7	Case 137	3-1
	7-03		2-24	Case 141	1-51
	8-11		4-16	Case 181	22-13
	8-18		5-01		22-29
	8-25		5-15		22-31
	8-34		6-06		
	8-36		12-08		
	11-13		12-11		
	12-09		12-17		
	15-01		13-05		
	19-43		18-18		
	19-46				

# SUBJECT INDEX

Subject	Interpre- tation	Subject	Interpre- tation	Subject	Interpre- tation
<b>Acceptance Criteria</b>		<b>Bellows</b>	13-09	<b>Branch Connections (Cont'd)</b>	
pressure tests	1-2			weld requirements (Cont'd)	
weld	1-1	<b>Bending</b>	4-02		4-03
	1-9		8-03		4-14
	1-14		15-17		7-02
	1-41		16-08		7-08
	2-8				10-04
	5-09	<b>Bends</b>			13-11
	5-13	corrugated	1-23		17-26
	5-17	miter (see <i>Miter Bends</i> )			22-22
	5-18	reduction of outside	8-20		23-18
	5-20	diameter		<b>Brazed Joints</b>	
	6-04			for flammable service	1-17
	7-06	<b>Bolting Materials</b>	4-15		
	8-32		17-20	<b>Buckles</b>	1-23
	12-22		20-12		1-53
	13-16		21-14	<b>Casting Quality Factor</b>	23-10
	14-02				
	14-07	<b>Bonding Qualification Test</b>		<b>Cast Irons</b>	
		hot gas welded	8-14	specific requirements	10-01
		minimum burst pressure	7-09		
			8-14	<b>Category D Design</b>	22-06
			10-08	<b>Temperature</b>	
<b>Allowable Loads</b>	14-06	procedure specifications		<b>Category D Fluid Service</b>	
		for plastic piping		alternative pressure test for	1-36
				limitations	4-13
<b>Allowable Stresses</b>	4-12		21-15		5-03
bases for	1-18	requirements	18-05		21-47
	3-13	solvent cement	8-14		8-38
	8-11			radiographic examination	21-23
	8-25	<b>Bonds</b>			
	10-13	heat fusion	8-14	<b>Category M Fluid Service</b>	
	15-01	hot gas welded	8-14	clarification of term	1-73
for ASTM A182	22-28	test assembly	7-09		9-02
for ASTM A312	1-29				20-23
for ASTM A351	11-13	<b>Branch Connections</b>		double contained piping	8-35
for ASTM A387	8-25	couplings	19-33	fittings	20-36
for ASTM A464	8-11	extruded outlets	1-37	leak test	6-08
for ASTM A570	1-38		2-27	liquid oxygen	8-09
for ASTM A587	1-13	flexibility analysis	6-09	piping flexibility	21-21
for ASTM A671	1-48	integrally reinforced fitting	9-01	requirements	8-35
for austenitic stainless	3-13		4-05		9-02
steels		projection into run pipe	11-10		12-15
for unlisted alloy steel	19-09		8-28	tubing size limitations	2-13
pipe		reinforcement	9-03	“very small quantity”	1-40
			8-06		
<b>Allowable Stress Range</b>	22-07		8-37	<b>Code Case</b>	22-13
	23-19		12-05		22-29
			12-13		22-31
<b>Alterations of Piping</b>	13-04		14-10	<b>Code Coverage</b>	
			15-05	B31.3 versus B31.4	1-47
<b>Alternative Tests</b> (see <i>Leak Tests</i> )			21-39		7-10
			2-10		
<b>Authorized Inspector</b> (see <i>Owner's</i>		weld requirements			
<i>Inspector</i> )					

Subject	Interpre- tation	Subject	Interpre- tation	Subject	Interpre- tation
<b>Code Coverage (Cont'd)</b>		<b>Displacement Stress</b>	2-14	<b>Expansion Joints</b>	1-16
B31.3 versus B31.9	21-32		2-24		12-23
buried piping	21-07		12-06		13-09
cryogenic piping	21-22		18-13		
fired heaters	15-09		21-09	<b>Extruded Outlet</b>	
general hydrocarbon service	6-01	<b>Earthquake</b> (see <i>Seismic</i> )		pressure design of	1-21
inline sensing devices	8-01	<b>Effective Date</b>	22-24	tees considered as	1-70
	21-24	<b>Empty System</b>			1-55
intent	16-12	transportation	9-06	<b>Extruded Welded Tee</b>	5-01
later editions	19-01	<b>Examination</b>			
new and replacement piping	5-22	acceptance criteria	16-07	<b>Fatigue</b>	18-09
	12-21	extent of	1-24		
	19-49		5-18		
offshore platform	8-17		11-01	<b>Fillet Weld</b>	
oil heating system	4-19		21-04	internal, slip-on flange	8-27
radioactive fluids	12-20	in-process	21-23	pressure containing	8-13
synfuel plant piping	1-52		3-14	size	1-74
	2-26	liquid penetrant (see <i>Liquid Penetrant Examination</i> )	11-15	use	10-04
tobacco plant piping	3-1	personnel	21-05		23-09
<b>Components</b> (see also <i>Fittings, Flanges, Standard Components, Unlisted, and Valves</i> )		postweld heat treatment	21-48	<b>Fittings</b>	
certification	1-26	progressive (see <i>Progressive Examination</i> )		B16.9	1-7
	3-7	radiographic (see <i>Radiographic Examination</i> )			5-01
	5-10	random	1-27	conforming to two grades	19-14
	13-10		1-45	flared, flareless, or	20-21
defining	17-23		1-62	compression types	8-18
	20-11		2-12		3-6
design conditions	2-3		2-32	MSS SP-75	12-16
fabricated or flared flaps	11-03		4-12		1-11
	12-16		11-15	<b>Flame Arrester</b>	22-39
inline sensing devices	8-01	records	11-11		
	21-24		21-20	<b>Flammable Service</b>	1-17
listed	20-25	required	1-24		21-25
metric size	19-29		1-60		
referenced standards	1-44		6-04		
	5-10		11-14	<b>Flanges</b>	
	22-05		11-15	assembly	2-5
			15-13	design	1-67
<b>Compressors</b>			15-21		3-4
internal piping	1-8		18-14	general	9-07
			21-17	long welding neck	9-10
<b>Corrugated Bends</b>	1-23		22-17	slip-on	4-05
		severe cyclic conditions	10-17		5-12
<b>Cyclic Loading</b>	5-12		11-14		8-27
	17-04	spot	1-62	use of aluminum	1-51
<b>Design</b> (see also <i>Pressure Design</i> )		types	16-13	use of raised and flat face metallic	9-07
additional design	12-13		18-11		
considerations		ultrasonic (see <i>Ultrasonic Examination</i> )		<b>Flexibility Analysis</b>	
calculations	20-26	visual (see <i>Visual Examination</i> )		branch connections	9-01
	21-13			exemptions from	1-33
conditions	2-3	<b>Exclusions</b>		modulus of elasticity	21-26
for stainless bellows	12-23	for compressors and	1-8	qualification	13-05
Lame theory	1-57	internal piping			13-14
minimum temperature	10-02	for interconnecting piping	1-19	thermal expansion data	15-24
qualification	20-38		21-22		21-16
	20-40	listed in scope	10-05		
<b>Displacement Strain</b>	20-45				

<b>Subject</b>	<b>Interpre- tation</b>	<b>Subject</b>	<b>Interpre- tation</b>	<b>Subject</b>	<b>Interpre- tation</b>
<b>Flexibility Characteristic</b>		<b>Heat Treatment (Cont'd)</b>		<b>Impact Tests (Cont'd)</b>	
effect of branch to run diameters	1-56	governing thickness	1-39		5-21
for a tee	1-55		1-59		19-21
	1-56		4-06		21-19
	5-01		5-06	requirements	15-23
for components not listed in Appendix D	1-55	heating rate	11-06		17-09
	2-24	local	1-69		20-31
			5-08	temperature limitation	21-18
		monitoring	8-05		5-14
			5-08		8-30
<b>Flexibility Factors</b>			8-05		14-12
basis for	1-56	postweld	20-39		19-07
for B16.9 tee	1-7		20-44		19-43
	12-08		22-19		21-01
	12-17	requirements	8-08		21-28
for fabricated intersections	1-6		8-21		21-43
	4-16		8-23		22-01
	5-15		8-24		22-02
for pressure piping components	13-05		9-03		22-26
for welded elbows	1-6		9-05		22-44
			12-14		23-08
			14-01		
<b>Fluid Service</b>			14-16	<b>Imperfections</b> (see also <i>Acceptance Criteria</i> )	
definition	19-34		15-18	concave root surface	1-1
	20-23		18-04		6-04
general hydrocarbon requirements, metallic	6-01		21-46	determination of	8-32
	11-16		21-48	lack of fusion	5-09
	12-15	SP-1 through SP-5	8-24	porosity	1-9
	12-16	when radiography is required	1-64		5-13
	15-03				5-16
requirements, nonmetallic	11-17		2-4		5-20
	11-18			slag inclusion	5-20
	21-30	<b>Hydrostatic Tests</b> (see <i>Leak Tests</i> )		tungsten inclusions	1-9
	21-31				5-17
responsibility for categorizing	4-08	<b>Impact Tests</b>		undercutting	1-14
		absorbed energy data	2-9		2-8
		alternative methods	8-30		6-04
		base metal	4-01		
			11-12	<b>Installed Piping</b>	1-30
			18-12		
			20-10	<b>Instrument Piping</b>	7-07
		exclusions from	1-76		8-01
			5-14		
			8-30	<b>Internal Piping, Equipment</b>	1-8
		HAZ	23-13		
		heat treatment required	5-19	<b>Joint Factors</b>	
		in qualifying procedures	8-29	for ASTM A234,	2-20
		of aluminum filler metals	2-19	ASTM A312,	
		of austenitic stainless steel	1-65	ASTM A403	
		of bolting materials	4-15	for branch connections	8-06
		of duplex stainless steel	20-13	for circumferential welds	1-42
		of heat-affected zone	1-76	for longitudinal and spiral (helical seam) welds	1-78
			5-21		
		of high pressure piping	21-27		3-11
		of weldments	1-12		8-06
			1-65		17-14
			1-76		20-34
cooling rate	1-69				
for austenitic stainless steel	1-65				
for bending and forming	2-2				
	19-04				
for carbon steel pipe	21-12				
for flared laps	11-03				
for valve parts	8-12				

Subject	Interpre- tation	Subject	Interpre- tation	Subject	Interpre- tation
<b>Joints</b>		<b>Leak Tests (Cont'd)</b>		<b>Limitations</b>	
alignment	15-07 17-25	of piping connecting equipment	3-3	on hardness	2-2
circumferential bends	5-11	of replacement piping	5-22	on imperfections (see <i>Imperfections</i> )	
exposed during test	2-6 3-10 22-09	painting before test	12-21 2-6 3-10	on tubing size	2-13 3-6
instrument tubing	7-07		5-23	<b>Liquid Penetrant Examination</b>	
special	8-13	personnel qualification	8-31	requirements	11-14
tapered pipe thread	16-15	pneumatic test	11-07		
threaded	11-16 17-19 20-48		11-19 12-02 13-06 19-23 19-30 19-32 20-17 22-30	<b>Low Temperature Requirements</b> (see <i>Impact Tests</i> )	
			2-6 3-10 5-02 5-23 12-03 1-61	<b>Materials</b>	
<b>Lateral Fittings</b>	1-6		2-23 13-13 20-17 22-27 8-15 13-13 22-14 22-15 22-18 23-15	API 5L	1-78 2-4 3-9 3-11 6-01 6-06 2-4 11-05
<b>Leak Tests</b>		preparation for	2-6 3-10 5-02 5-23 12-03 1-61	API 5LX	2-20 1-29 1-77 2-20
acceptance criteria	1-2 15-22 16-03 23-14		2-23 13-13 20-17 22-27 8-15 13-13 22-14 22-15 22-18 23-15	ASTM A234 ASTM A312	19-07 11-13 8-25 1-77 2-20 8-07 2-1 1-38 1-13
alternative	4-09 5-07 6-08 8-15 12-01 12-21 17-05 17-10 18-15 20-18 23-05	reduced pressure (hydrostatic test)	17-02 19-06 19-23 22-30	ASTM A403	1-11 3-8 1-48 2-19 4-18 8-11
as nondestructive examination	8-31		1-35 1-43 12-19 12-04 19-10 20-46 21-11 21-42 23-20 20-06 20-07 20-35 21-10 21-36	ASTM A487 ASTM A537 ASTM A570 ASTM A587 ASTM A633 ASTM A658 ASTM A671 ASTM B241 ASTM B337 ASTM B464	2-20 1-77 2-20 8-07 2-1 1-38 1-13 1-11 3-8 1-48 2-19 4-18 8-11
external design pressure	19-44	requirements		austenitic stainless steels bases for design stresses carbon steel certification	3-13 11-05 19-39 5-10 8-02 13-10 21-03
for Category D fluid service	1-36	sensitive		conforming to two grades	8-18 8-34
for Category M fluid service	20-47			listed	17-09R (Vol. 18)
for system designed for 0 psi	2-31	system pneumatic leak test pressure			17-11 22-12 22-42
isolation of test pump leakage	1-2 1-4	temperature correction for		notch sensitive	2-22
minimum hydrostatic test pressure	2-23 4-04	test fluid test pressure		notes	20-29
minor repairs and additions	1-2	time			
negative pressure of discharge piping of joints of newly constructed systems	22-11 1-72 20-28 1-4 5-02 5-22 8-15 20-24	vents and drains welds			
of piping and vessel	1-63	<b>Lethal Substance</b>	1-73		

Subject	Interpre- tation	Subject	Interpre- tation	Subject	Interpre- tation
<b>Materials (Cont'd)</b>		<b>Owner</b>		<b>Pressure Design</b>	
reidentification	8-19	responsibilities	1-26	allowance	17-12
toughness requirements	5-19		2-30		20-03
traceability	19-28		5-22		20-51
unlisted material	11-05		19-11		21-33
	11-20				21-45
	15-04	<b>Owner's Inspector</b>		for elevated temperatures	3-4
	17-01	qualifications of	1-31	in the high pressure range	1-68
	17-08		20-33		17-16
	19-27	responsibilities of	1-26	of extruded headers	1-21
					1-70
<b>Mechanical Interlock</b>	19-45	<b>Pipe</b>		of flanges and blanks	10-14
		alterations of existing pipe	13-04		13-15
<b>Miter Bends</b>			20-04		19-12
pressure design of	1-22	components	22-41	of miter bends	1-21
	5-11	curved and mitered segments	15-14	of nonmetallic piping components	14-17
					14-18
<b>Near Straight Sawtooth Runs</b>		elbowless	18-06	of pipe	1-42
explanation of	1-33	general	8-03		1-54
		in corroded condition	22-43		1-57
<b>Nomenclature</b>		instrument	2-15		1-68
<i>d</i>	1-54	made from plate	17-24		1-70
<i>T</i>	1-28		1-48		2-11
<i>T<sub>W</sub></i>	5-04	of noncircular cross section	8-36		11-21
	5-16	pressure design	3-2		13-07
<i>t<sub>n</sub></i>	1-75		13-07		15-06
			14-09		15-10
<b>Nonmetallic Piping</b>		pressure testing	9-09		17-06
fluid service requirements	11-17	spiral (helical seam)	7-03		21-38
	11-18	welded			22-04
in Category M Fluid Service	8-35	straight, under internal pressure	10-20	of listed components	16-14
joint requirements	7-09		11-21		16-18
	8-14		14-11	of unlisted components	13-02
materials	19-08	types	20-27		13-03
	20-30				13-05
	21-30	<b>Pipe Supports</b>			21-34
	21-31	configurations	6-07	of valves	8-04
pressure design	14-17	longitudinal stress effects	7-05		13-15
	14-18	materials	19-36		
	21-33		21-41		
	22-38	use of plastic	1-49	<b>Pressure Rating</b>	
				components	19-02
<b>Notch Sensitive</b>		<b>Plastic</b>		valve	8-04
materials	2-22	lined pipe — use of screwed flanges	8-33	variations	4-11
		pipe supports	1-49		20-22
<b>Occasional Variations (Pressure/Temperature Allowances)</b>	1-3			<b>Pressure Relief Devices</b>	
	2-14	<b>Pneumatic Tests</b> (see <i>Leak Tests</i> )		acceptable devices	2-21
	4-11				2-29
loads	1-50	<b>Positions</b>			19-41
	2-15	qualification of welding	1-66	and test pressure	23-11
	2-16				11-07
	2-17	<b>Postweld Heat Treatment</b> (see <i>Heat Treatment</i> )			11-19
	19-18				12-04
	20-49	<b>Preheat</b> (see <i>Heat Treatment</i> )			14-09
	20-50				18-03
	21-08				



<b>Subject</b>	<b>Interpre- tation</b>	<b>Subject</b>	<b>Interpre- tation</b>	<b>Subject</b>	<b>Interpre- tation</b>
<b>Pressure Relief Devices (Cont'd)</b>		<b>Radiographic Examination (Cont'd)</b>		<b>Standard Components</b>	
pressure reducing station requirements	19-31 17-29 23-17	survey plugs when PWHT is required	3-12 19-48 1-64	manufacturer's markings	3-7 8-02
setting	1-32 7-01 12-04		2-4	valves	5-05 8-04 8-07
stop valves	10-10 12-18	<b>Records</b>		<b>Standards</b>	
		certification	5-10 8-02 10-03 21-03	compliance	5-10
<b>Pressure Surges</b>		for radiographic examination of examinations	1-10 11-11 21-20	superseded	1-44
loads due to	1-50	of hardness tests retention of	8-22 1-10	<b>Stresses (see also Allowable Stresses)</b>	
<b>Pressure–Temperature Rating</b>	5-05 8-34			allowable	19-37 19-38 19-46 20-32
<b>Pressure Test (see Leak Test)</b>		<b>Reinforcement, Branch</b>		analysis	23-07
<b>Pressure Thickness</b>	22-21	attachment weld	4-03 7-08	displacement stress range	7-04 12-06 20-02
<b>Progressive Examination</b>	1-5 1-62 3-5 10-09 10-12 11-02 11-04 13-12 16-01 16-02 16-05 18-01	clarification of terms	1-37 11-10	due to cold spring	8-16
		limits of	2-27 9-04	due to occasional loads	2-16
<b>Published Specification</b>	1-15	<b>Reinforcement Pad Thickness</b>	22-20	due to pressure surges	1-50
<b>Radiographic Examination</b>		<b>Repairs</b>		due to seismic loads	2-17
100%	5-09 20-17	to welds	2-18	due to sustained loads	15-15 16-04 16-11 20-02
as supplementary examination	8-38	<b>Responsibility</b>		due to thermal gradients	3-4
digital radiography	20-42	designer	10-11	hydrostatic design	19-13
normal fluid service	20-20	rights of owner's inspection	10-03 17-15	longitudinal	1-20 1-50 2-15 2-24 4-10 4-12
random radiography	1-27 1-45 1-62 2-12 2-32 3-12	<b>Safeguarding</b>	5-12		6-03R (Vol. 7) 6-07 7-05 8-16 17-18 18-16
records	1-10	<b>Scope (see Code Coverage)</b>			
requirements	6-04 11-01 11-05 12-03 22-08	<b>Seismic Loads</b>	4-07 23-04 23-12		
selection of welds for examination	2-25	effect of friction	23-12		
spot radiography	1-62	stresses due to	2-17		
		<b>Severe Cyclic Conditions</b>		ratio figure	23-01
		cyclic loading	5-12	reduction factors	16-10 21-34
		large rapid temperature change	8-09	<b>Stress Intensification Factors</b>	
		material	21-29	application of	1-34 2-24
		spiral (helical seam) welded pipe	7-03		6-03R (Vol. 7)
		<b>Simplified Flexibility Analysis</b>	1-33	basis for	1-56
		<b>Stainless Steel</b>	22-03 22-23	branch connections	2-7

Subject	Interpretation	Subject	Interpretation	Subject	Interpretation
<b>Stress Intensification Factors (Cont'd)</b>		<b>Thickness Requirements</b>	20-17	<b>Weld</b>	
for B16.9 tees	1-7		20-41	acceptable criteria	17-03
for fabricated intersections	1-6				17-22
	5-15	<b>Tubing</b>			18-07
for tees	1-46	category M fluid service	16-17		21-44
	1-55	joints	7-07		22-40
	1-71	limitations	2-13	bevels	12-10
	5-01		3-6	closure	22-16
	12-08			configuration	19-16
	12-17	<b>Ultrasonic Examination</b>		definition	14-03
for unlisted components	13-05	in place of radiography	11-05		19-05
for welded elbows	1-6		20-09	double submerged arc	21-46R
	12-11		20-42	welded (DSAW)	
		requirements	10-17	examination of welds	10-15
					11-01
<b>Temperatures</b>		<b>Unlisted</b>			11-14
allowance	17-12	components	1-6		13-16
	20-03		1-51		14-14
bending	16-08		3-6		14-15
critical	22-36		4-05		15-02
design minimum	10-02		5-05		19-17
temperature			8-07		19-42
	14-08		10-18		20-06
	14-12		10-07		20-43
	15-11		10-11	fillet size	1-74
	15-16		12-09		10-19
	17-07		13-02		16-06
	19-35		13-03		20-01
fluid	23-06		13-05	final	19-15
large changes	8-09		19-03	for branch connections	2-10
limitations	4-13		19-19		4-03
	5-14		20-25		4-14
	15-12		20-37		8-37
	15-25		21-34		11-10
	19-47		23-03		19-25
maximum metal	19-40	materials (see <i>Materials</i> )		imperfections (see also	21-02
temperature				<i>Acceptable Criteria</i> )	
minimum design metal	20-13R	<b>U-Stamp</b>	22-34	joint quality factor	21-06
temperature (MDMT)					21-37
reduction	4-11	<b>Valves</b>		joint strength reduction	21-35
	20-15	Category M Fluid Service	8-35	factor	
variation in elevated	17-17	Flanged Ball Valves	16-16		22-37
temperature service		materials	8-07	longitudinal	2-20
verification	16-09		15-26		3-11
		pressure buildup	8-04	map	4-18
		ratings	5-05		22-10
<b>Thermoplastic Piping</b>					22-25
neat fusion joints	13-08	<b>Visual Examination</b>		of valves	12-12
solvent cemented joints	10-08	internal	8-10	partial joint penetration	23-02
specific requirements	10-06		8-26	preparation for welding	13-01
			13-16		14-04
<b>Thickness Allowances</b>		requirements	2-28	qualification of position	1-66
governing	17-13		10-03	reinforcement	7-08
	17-21		13-16		11-08
	18-02		18-17	repair	2-18
in stress calculations	1-20				21-19
wall	23-16	<b>Washers, Use of</b>	2-5	sign	22-25
welding tee	18-18			size	22-32

<b>Subject</b>	<b>Interpre- tation</b>	<b>Subject</b>	<b>Interpre- tation</b>	<b>Subject</b>	<b>Interpre- tation</b>
<b>Weld (Cont'd)</b>		<b>Welder Qualification (Cont'd)</b>		<b>Welding Procedure (Cont'd)</b>	
socket	6-02		19-26		14-13
	6-05		22-35		19-22
	10-19	requirements	17-27	responsibility	12-07
	15-08				12-12
	16-06	<b>Welding Procedure</b>		specification	8-21
	19-20	qualification of	1-12		8-22
spacing of	7-02		1-65		20-14
tack	22-35		1-66		20-19
types	20-05		1-76		20-31
	20-07		4-17		
			8-23		
			8-29		
<b>Welder Qualification</b>			11-09	<b>Workmanship</b>	22-33
by others	15-19		14-05		
	18-08				

INTENTIONALLY LEFT BLANK

## B31.3 Code Cases

ASME issues replies to inquiries that are applicable to ASME B31.3. When a reply modifies the existing requirements of the Code, the inquiry and reply are issued as a Code Case.

Code Cases remain available for use until annulled by the ASME B31 Code for Pressure Piping Standards Committee.

B31.3 Code Cases that are approved after the date of issuance of this edition will be published on the following ASME web page: <http://cstools.asme.org/csconnect/CommitteePages.cfm?Committee=N10020400>.

As of the date of issuance of this edition of B31.3, the following Code Cases are in effect:

Case 180	Leak testing of subassemblies of jacketed piping
Case 181	Use of alternative ultrasonic examination acceptance criteria
Case 185	Use of standard helium leak test for a vacuum-only piping system (para. 345)

### SUMMARY OF CHANGES

The Code Case affected by this edition is as follows:

<i>Page</i>	<i>Code Case</i>	<i>Change</i>
C-3	181	Revised in its entirety

**B31 CASE 180**  
**Leak Testing of Subassemblies of Jacketed Piping for Use in ASME B31.3 Piping Systems**

Approval Date: January 5, 2007

*Inquiry:* Does ASME B31.3 permit an alternate leak test for jacketed piping in which it is impracticable to visually examine the welded joints and connections for leaks in accordance with para. 345.2.2(a)?

*Reply:* Visually observing the joints and connections during the leak test in accordance with paras. 345.2.2(a) and 345.3.1 is not required, provided all of the following conditions are satisfied:

(a) The welded joints and connections are on the inner pipe of jacketed piping.

(b) A leak test is performed that otherwise meets the requirements of para. 345.1, except visual examination of joints and connection in accordance with paras. 345.2.2(a) and 345.3.1 is not required.

(c) A sensitive leak test is performed in accordance with para. 345.8 to demonstrate leak tightness of welded joints and connections that are not visually examined during the leak testing required in (b) above.

## B31 CASE 181

### Use of Alternative Ultrasonic Examination Acceptance Criteria in ASME B31.3

Approval Date: January 4, 2012

*Inquiry:* Under what conditions and limitations may alternative UT acceptance criteria apply in lieu of those described in para. 344.6.2 of ASME B31.3?

*Reply:* When specified by the owner, the ultrasonic examination acceptance criteria included below may be applied for welds in material greater than or equal to 25 mm (1.0 in.) in thickness<sup>1</sup> in accordance with ASME B31.3, provided the following requirements are met:

*(a) General/Scope*

(1) The examination shall be conducted using automated or semiautomated techniques utilizing computer-based data acquisition.

(2) The examination shall be performed in accordance with a written procedure approved by Level III personnel and conforming to the requirements of ASME BPV Code Section V, Article 4, Mandatory Appendix VIII and

(a) for phased array — ASME Section V, Article 4, Mandatory Appendix V

(b) for time of flight diffraction (TOFD) — ASME Section V, Article 4, Mandatory Appendix III

(3) Procedure qualification shall meet the requirements of ASME Section V, Article 4, Mandatory Appendix IX.

(b) *Equipment.* A mechanical guided scanner capable of maintaining a fixed and consistent search unit position relative to the weld centerline shall be used.

*(c) Personnel*

(1) Setup and scanning of welds shall be performed by personnel certified as Level II or III (or by Level I personnel under the direct supervision of Level II personnel).

(2) Interpretation and evaluation of data shall be performed by Level II or III personnel.

(3) Examination personnel shall be qualified and certified following a procedure or program as described in ASME Section V, Article 1, T-120(e), (f), (h), and (i).

(4) Personnel demonstration requirements shall be as stated in ASME Section V, Article 4, Mandatory Appendix VII.

*(d) Examination*

(1) The initial straight beam scan for reflectors that could interfere with the angle beam examination shall be performed

(a) manually

(b) as part of a previous manufacturing process or

(c) during the weld examination, provided detection of these reflectors is included in the demonstration as required in (a)(3) above

(2) The examination area shall include the volume of the weld, plus the lesser of 25 mm (1.0 in.) or  $t$  of adjacent base metal. Alternatively, the examination volume may be reduced to include the actual heat affected zone (HAZ) plus 6 mm (0.25 in.) of base material beyond the heat affected zone on each side of the weld, provided the extent of the weld HAZ is measured and documented.

(3) Scanning may be performed at reference level, provided the procedure qualification was performed at reference level.

(e) *Data Recording.* Data shall be recorded in the unprocessed form with no thresholding. The data record shall include the complete examination area as specified in (d)(2) above.

*(f) Data Analysis*

(1) Reflectors exceeding the limits below shall be investigated to determine whether the indication originates from a flaw or is a geometric indication, in accordance with (2) below.

(a) For amplitude-based techniques, the location, amplitude, and extent of all reflectors that produce a response greater than 20% of the reference level shall be investigated.

(b) For non-amplitude-based techniques, the location and extent of all images that have an indicated length greater than 4.0 mm (0.16 in.) shall be investigated.

(2) Ultrasonic indications of geometric and/or metallurgical origin shall be classified as specified in ASME Section V, Article 4, T-481.

(3) Alternatively, other techniques or NDE methods may be used to classify an indication as geometric (e.g., alternative beam angles, radiography). The method employed is for information only to classify the indication as geometric, and ASME B31.3 requirements for

<sup>1</sup> For wall thicknesses less than 25 mm (1.0 in.), the acceptance criteria stated in para. 344.6.2 of B31.3 shall be used.

examination techniques are only required to the extent that they are applicable.

(g) *Flaw Evaluation*

(1) *Dimensions.* The dimensions of the flaw(s) shall be determined by the rectangle that fully contains the area of the flaw(s). (Refer to Fig. 1.)

(a) The length,  $\ell$ , of the flaw shall be drawn parallel to the inside pressure-retaining surface of the component.

(b) The height,  $h$ , of the flaw shall be drawn normal to the inside pressure-retaining surface of the component.

(c) The flaw shall be characterized as a surface or subsurface flaw, as shown in Fig. 1.

(d) A subsurface indication shall be considered as a surface flaw if the separation ( $S$  in Fig. 1) of the indication from the nearest surface of the component is equal to or less than half the through-wall dimension

[ $h$  in Fig. 1, sketch (b)] of the subsurface indication.

(2) *Multiple Flaws*

(a) Discontinuous flaws that are oriented primarily in parallel planes shall be considered to lie in a single plane if the distance between the adjacent planes is equal to or less than 13 mm (0.50 in.) or  $0.5t$ , whichever is less.

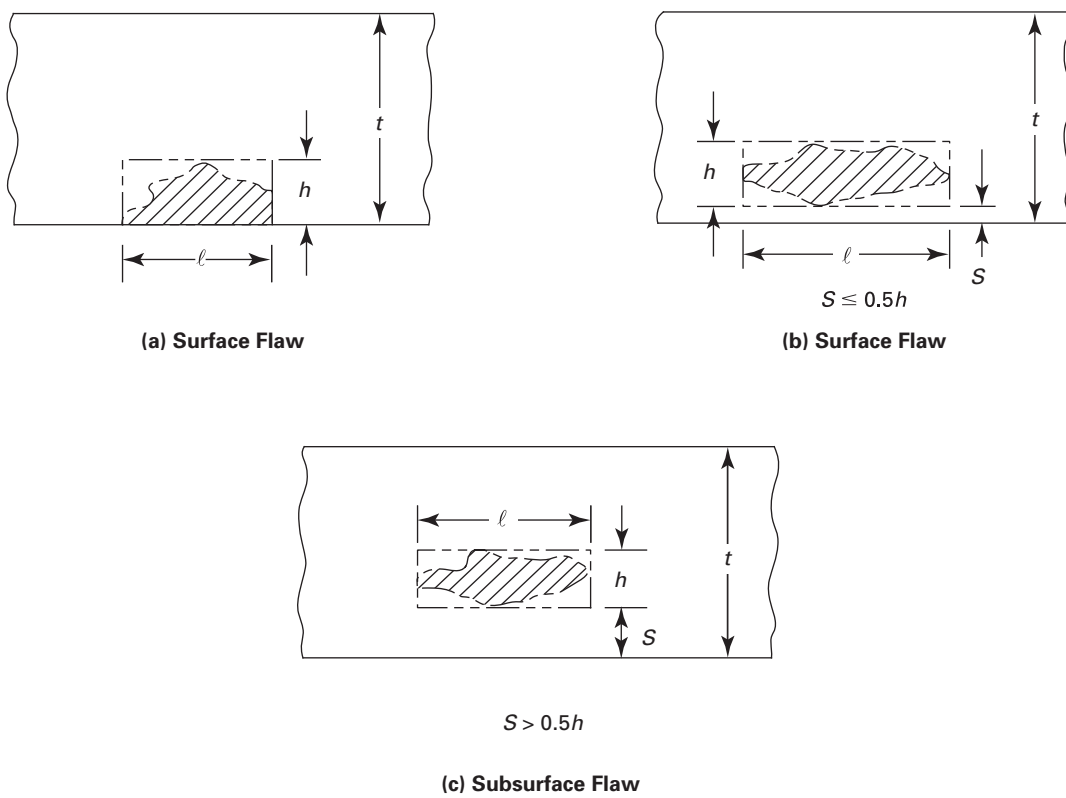
(b) If the space between two flaws aligned along the axis of weld is less than the height of the flaw of greater height, the two flaws shall be considered a single flaw.

(c) If the space between two flaws aligned in the through-thickness dimension is less than the height of the flaw of greater height, the two flaws shall be considered a single flaw.

(h) *Flaw Acceptance Criteria.* Flaws shall be evaluated against the applicable acceptance criteria of Table 1 or Table 2, except that flaw length ( $\ell$ ) shall not exceed  $4t$ , regardless of flaw height ( $h$ ) or the calculated aspect ratio.



**Fig. 1 Surface and Subsurface Indications**



**Table 1 Acceptance Criteria for Surface Flaws**

Aspect Ratio, $h/\ell$	Maximum $h/t$ for Weld Thickness	
	25 mm to 64 mm (1.0 in. to 2.5 in.)	100 mm to 300 mm (3.9 in. to 11.8 in.)
0.00	0.031	0.019
0.05	0.033	0.020
0.10	0.036	0.022
0.15	0.041	0.025
0.20	0.047	0.028
0.25	0.055	0.033
0.30	0.064	0.038
0.35	0.074	0.044
0.40	0.083	0.050
0.45	0.085	0.051
0.50	0.087	0.052

## GENERAL NOTES:

- (a)  $t$  = thickness of the weld excluding any allowable reinforcement. For a butt joint joining two members having different thickness at the joint,  $t$  is the thinner of the two thicknesses joined. If a full penetration weld includes a fillet weld, the effective throat dimension of the fillet weld shall be included in  $t$ .
- (b) Aspect ratio ( $h/\ell$ ) used may be determined by rounding the calculated  $h/\ell$  down to the nearest 0.05 increment value within the column, or by linear interpolation.
- (c) For intermediate thickness  $t$  [weld thicknesses between 64 mm and 100 mm (2.5 in. and 3.9 in.)], linear interpolation is required to obtain  $h/t$  values.

**Table 2 Acceptance Criteria for Subsurface Flaws**

Aspect Ratio, $h/\ell$	Maximum $h/t$ for Weld Thickness	
	25 mm to 64 mm (1.0 in. to 2.5 in.)	100 mm to 300 mm (3.9 in. to 11.8 in.)
0.00	0.068	0.040
0.10	0.076	0.044
0.20	0.086	0.050
0.30	0.098	0.058
0.40	0.114	0.066
0.50	0.132	0.076
0.60	0.156	0.088
0.70	0.180	0.102
0.80	0.210	0.116
0.90	0.246	0.134
1.00	0.286	0.152

## GENERAL NOTES:

- (a)  $t$  = thickness of the weld excluding any allowable reinforcement. For a butt joint joining two members having different thickness at the joint,  $t$  is the thinner of the two thicknesses joined. If a full penetration weld includes a fillet weld, the effective throat dimension of the fillet weld shall be included in  $t$ .
- (b) Aspect ratio ( $h/\ell$ ) used may be determined by rounding the calculated  $h/\ell$  down to the nearest 0.05 increment value within the column, or by linear interpolation.
- (c) For intermediate thickness  $t$  [weld thicknesses between 64 mm and 100 mm (2.5 in. and 3.9 in.)], linear interpolation is required to obtain  $h/t$  values.

**B31 CASE 185**  
**Use of Standard Helium Leak Test for a Vacuum-Only Piping System (Para. 345)**

Approval Date: December 22, 2009

*Inquiry:* Under what circumstances does ASME B31.3 permit the use of helium mass spectrometer leak tests performed under a vacuum as a substitute for the leak test requirements specified in ASME B31.3, para. 345?

*Reply:* In the opinion of the Committee, the qualified helium leak tests under vacuum conditions in the ASME BPV Code, Section V, Article 10, Appendices V and IX are acceptable substitutes for the testing requirements identified in para. 345 of ASME B31.3, provided the following conditions are met:

(a) The piping system is expected to operate only under vacuum (i.e., subatmospheric pressure) conditions.

(b) Any leakage into the piping system that could result in an internal reaction (e.g., combustion or explosion) that increases the pressure above atmospheric shall be prevented.

(c) All system joints and connections shall be leak tested. Piping welds and joints to be tested shall be uninsulated and exposed, and shall not be primed, painted, or otherwise coated.

(d) Helium leak testing is performed at vacuum conditions sufficient for the mass spectrometer helium leak tests of ASME BPV Code, Section V, Article 10, Appendices V and IX, or at pressures below 10 mbar absolute (less than 1% of atmospheric pressure), whichever is lower.

(e) ASME B31.3, para. 345.2 applies, except for the minimum "10 min" leak test period, the leak test pressure requirements, and the limitation of the need for access for jacketed piping to "visual access." Paragraph 345.3 also applies, except for the leak test pressure requirements. All other inspection, examination, and records requirements of ASME B31.3 Chapter VI must still be satisfied (i.e., paras. 340, 341, 342, 343, 344, and 346).

(f) Written procedures shall be qualified in accordance with ASME BPV Code, Section V, Article 10.

(g) Test personnel shall have training and certification consistent with ASME B31.3, para. 342.

(h) Test reports, including records of personnel qualifications, shall meet the requirements of ASME BPV Code, Section V, Article 10, para. T-1091 and shall be retained for at least 5 yr.

(i) Options of the ASME BPV Code, Section V, Article 10 test methods that allow the engineering design to modify specified requirements of the Appendix V and Appendix IX test methods (such as acceptability limits for system leak tightness) may only be exercised so as to make these requirements more sensitive or more conservative.

(j) The use of the vacuum leak test instead of the pressurized leak test of ASME B31.3, para. 345 shall be specified in the engineering design and shall be accepted by the owner.

INTENTIONALLY LEFT BLANK

## ASME CODE FOR PRESSURE PIPING, B31

Power Piping .....	B31.1-2012
Process Piping .....	B31.3-2012
Tuberías de Proceso .....	B31.3-2010
Pipeline Transportation Systems for Liquids and Slurries.....	B31.4 <sup>1</sup> -2012
Refrigeration Piping and Heat Transfer Components.....	B31.5-2010
Gas Transmission and Distribution Piping Systems .....	B31.8-2012
Managing System Integrity of Gas Pipelines .....	B31.8S-2010
Gestión de Integridad de Sistemas de Gasoductos .....	B31.8S-2010
Building Services Piping .....	B31.9-2011
Hydrogen Piping and Pipelines.....	B31.12-2011
Standard for the Seismic Design and Retrofit of Above-Ground Piping Systems .....	B31E-2008
Manual for Determining the Remaining Strength of Corroded Pipelines: Supplement to ASME B31 Code for Pressure Piping.....	B31G-2012
Standard Test Method for Determining Stress Intensification Factors ( <i>i</i> -Factors) for Metallic Piping Components.....	B31J-2008
Pipeline Personnel Qualification.....	B31Q-2010
Calificación del Personal de Líneas de Tuberías .....	B31Q-2010
Standard Toughness Requirements for Piping.....	B31T-2010

NOTE:

(1) B31.11 has been incorporated into B31.4.

*The ASME Publications Catalog shows a complete list of all the Standards published by the Society. For a complimentary catalog, or the latest information about our publications, call 1-800-THE-ASME (1-800-843-2763).*

ASME B31.1-2012

## ASME Services

ASME is committed to developing and delivering technical information. At ASME's Customer Care, we make every effort to answer your questions and expedite your orders. Our representatives are ready to assist you in the following areas:

ASME Press  
*Codes & Standards*  
Credit Card Orders  
IMEchE Publications  
Meetings & Conferences  
Member Dues Status

Member Services & Benefits  
Other ASME Programs  
Payment Inquiries  
Professional Development  
Short Courses  
Publications

Public Information  
Self-Study Courses  
Shipping Information  
Subscriptions/Journals/Magazines  
Symposia Volumes  
Technical Papers

### How can you reach us? It's easier than ever!

There are four options for making inquiries\* or placing orders. Simply mail, phone, fax, or E-mail us and a Customer Care representative will handle your request.

*Mail*  
**ASME**  
22 Law Drive, Box 2900  
Fairfield, New Jersey  
07007-2900

*Call Toll Free*  
**US & Canada:** 800-THE-ASME  
(800-843-2763)  
**Mexico:** 95-800-THE-ASME  
(95-800-843-2763)  
**Universal:** 973-882-1167

*Fax—24 hours*  
973-882-1717  
973-882-5155

*E-Mail—24 hours*  
customer care@asme.org

\* Customer Care staff are not permitted to answer inquiries about the technical content of this code or standard. Information as to whether or not technical inquiries are issued to this code or standard is shown on the copyright page. All technical inquiries must be submitted in writing to the staff secretary. Additional procedures for inquiries may be listed within.

INTENTIONALLY LEFT BLANK

# ASME B31.3-2012

ISBN 978-0-7918-3421-3



9 780791 834213



A03712